

**WARNING!**



Be sure electrical power is OFF before and during installation or maintenance. The luminaire must be installed by a qualified electrician, in accordance with all applicable local codes.

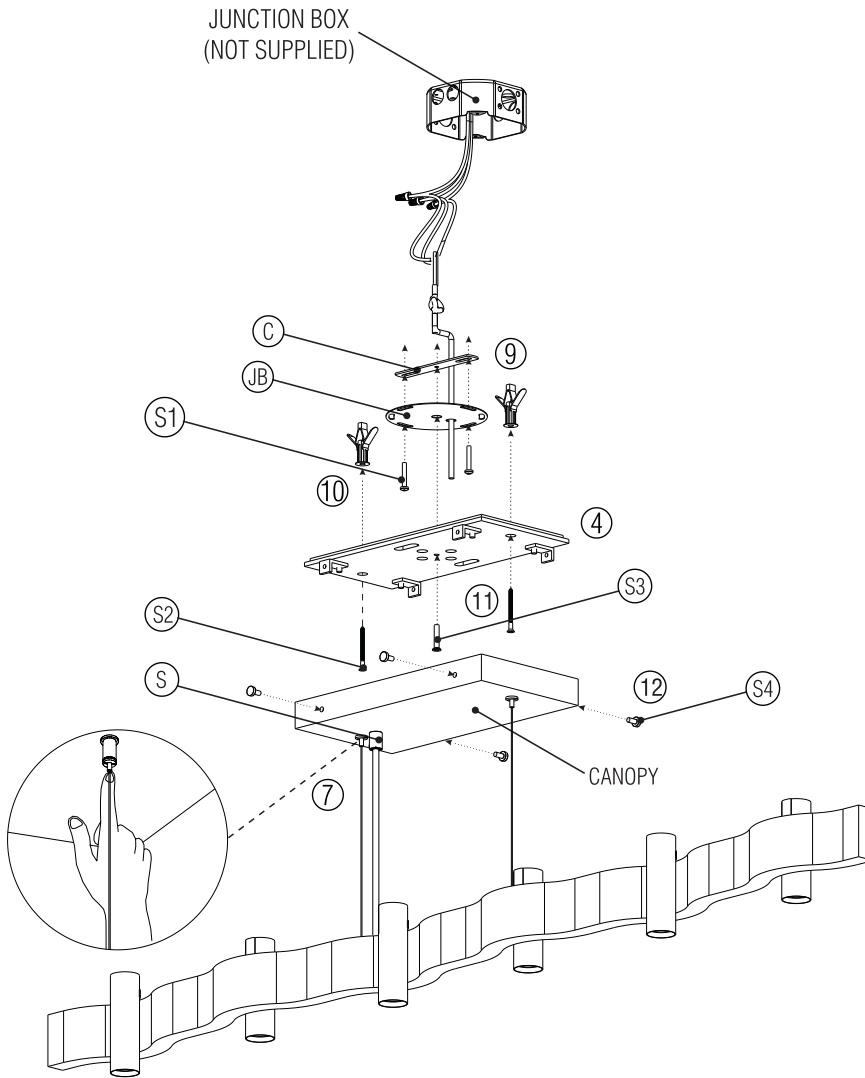
Ensure that the rated luminaire voltage requirements are compatible with the available mains supply in which it will be installed. All LEDs are included in your lamp. Never touch the LED surface with your bare hands as this may reduce the life of your LED. Do not alter, relocate or remove any electrical component.

Line: FLOW  
Family: PENDANT  
Description: FLOW ACCORD PENDANT

Material: Natural Wood Vener, MDF and carbon steel.

Turn off the power before beginning the installation, and keep it off until the installation is complete.

This assembly process requires the assistance of two people to be completed successfully.

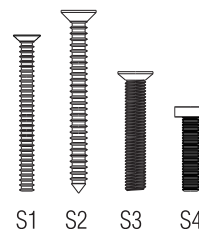


- ① Remove the protective packaging from the components, taking care not to damage any parts with sharp surfaces or objects.
- ② Using the base (B) as a template, drill two 8mm holes for securing the base to the ceiling. Insert the wall plugs into the holes.
- ③ Next, insert the steel cables into the canopy. To do this, press the tip of the cable clamp while simultaneously inserting the cable. Upon releasing the tip, the clamp will lock and secure the component. Adjust all the cable clamps and steel cables, and set the desired height, ensuring the fixture is level.
- ④ After adjusting, neatly coil any excess cables and ensure they do not come into contact with electrical connections.
- ⑤ With the steel cables properly installed, pass the power cable through the strain relief (S), which is fixed to the canopy, and through one of the central holes of the structural base (B).
- ⑥ Make the electrical connections in accordance with all applicable safety regulations and electrical installation codes. This product must be installed in compliance with the relevant technical standards and by someone familiar with electrical installations, the product itself, and aware of the associated risks.
- ⑦ Screw the crossbar (C) to the junction box using the provided screws (S1). Next, secure the structural base (B) of the canopy to the crossbar (CB) using the provided screw (S3).
- ⑧ Using the provided screws (S2), fasten the structural base into the previously installed wall plugs, ensuring the installation is secure.
- ⑨ With the structural base fixed, attach the canopy to the base and secure it using the provided screws (S4).
- ⑩ Insert any excess power cable through the cable guide and tighten the side screw to secure it in place.
- ⑪ Install a E-12 compatible bulbs on the E-12 socket, with a maximum rating of 8W each.

Turn on the power.

The luminaire is ready for use.

PROVIDED SCREWS



**ATTENTION!**



FAILURE TO COMPLY WITH THESE INSTRUCTIONS MAY CAUSE ACCIDENTS AND LOSS OF PRODUCT WARRANTY. Its recommended to read these instructions completely and carefully before proceeding.

SAVE THESE INSTRUCTIONS FOR FUTURE REFERENCE.

ACCORD Lighting guarantees coverage against manufacturing defects including electrical components and finishes, for a period of three years, under normal use, from the date of purchase. For warranty service, please contact your local dealer for further instructions. Proof of date of purchase will be required for validation of warranty service.

The responsibility of the manufacturer regarding the product warranty is related to the correct observation of the instructions contained in this manual. The manufacturer is not responsible for any damage to the product caused by accidents, alterations of any kind, improper usage or improper installation. See the website for additional warranty details.

ACCORD Lighting reserves the right to change the dimensions and specifications contained in this manual without prior notice, in accordance with its policy of continuous product improvement. Please, contact the manufacturer if additional information is necessary. The illustrations in this manual are for guidance only and may vary in scale, dimensions and model details.