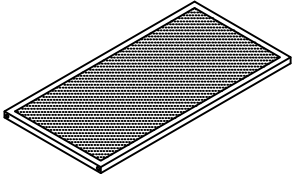
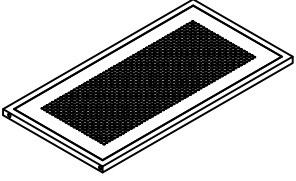

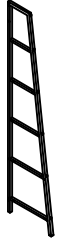

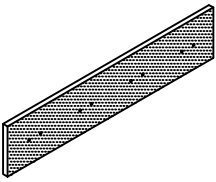
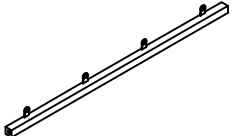
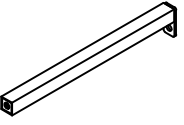
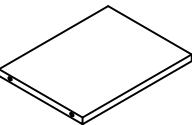
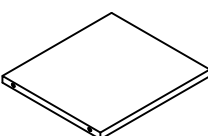
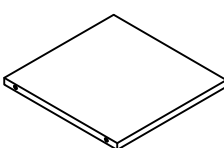
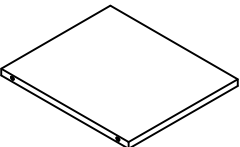

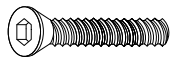



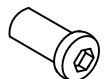


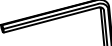

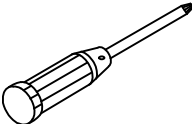
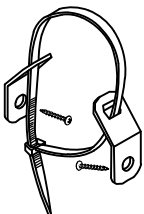
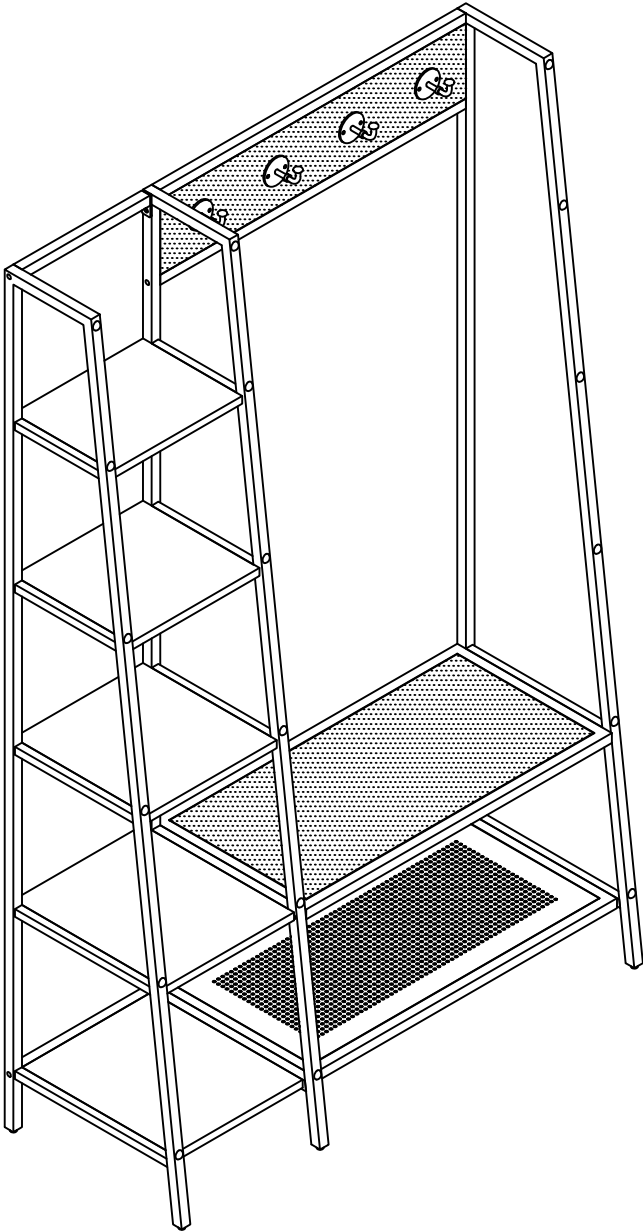


# ASSEMBLY INSTRUCTION

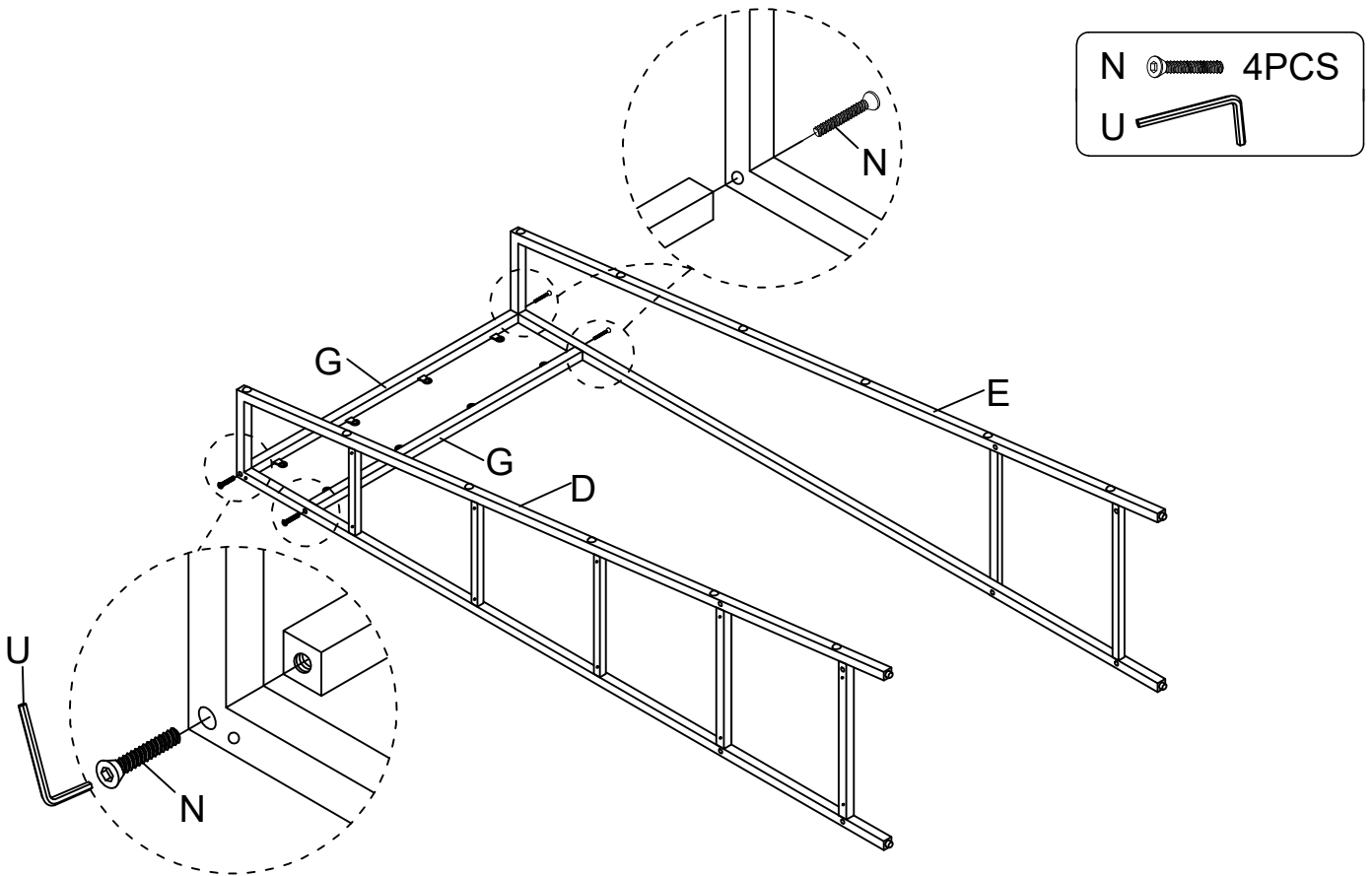
## E824 METAL COAT RACK WITH LADDER SHELF

<b>A</b> Top Shelf Panel  1pc	<b>B</b> Bottom Shelf Panel  1pc	<b>C</b> Left Frame  1pc	<b>D</b> Middle Frame  1pc
<b>E</b> Right Frame  1pc	<b>F</b> Top Board  1pc	<b>G</b> Cross Bar  2pcs	<b>H</b> Cross Bar  2pcs
<b>I</b> Shelf Panel  1pc	<b>J</b> Shelf Panel  1pc	<b>K</b> Shelf Panel  1pc	<b>L</b> Shelf Panel  2pcs
<b>M</b> Hook  4pcs	<b>N</b> Bolt $\text{Ø}1/4" \times 1-1/2"$  14pcs	<b>O</b> Bolt $\text{Ø}1/4" \times 1/2"$  10pcs	<b>P</b> Bolt $\text{Ø}3/16" \times 1/2"$  20pcs
<b>Q</b> Bolt $\text{Ø}3/16" \times 1/2"$  8pcs	<b>R</b> Bolt $\text{Ø}3/16" \times 15\text{mm}$  8pcs	<b>S</b> Flat Washer $\text{Ø}12\text{mm}$  20pcs	<b>T</b> Flat Washer $\text{Ø}16\text{mm}$  18pcs
<b>U</b> Allen Key M4  1pc	<b>V</b> Allen Key M5  1pc	<b>W</b> Screwdriver (Not Provided)  1pc	<b>X</b> Anti-Tipping Kit  2sets

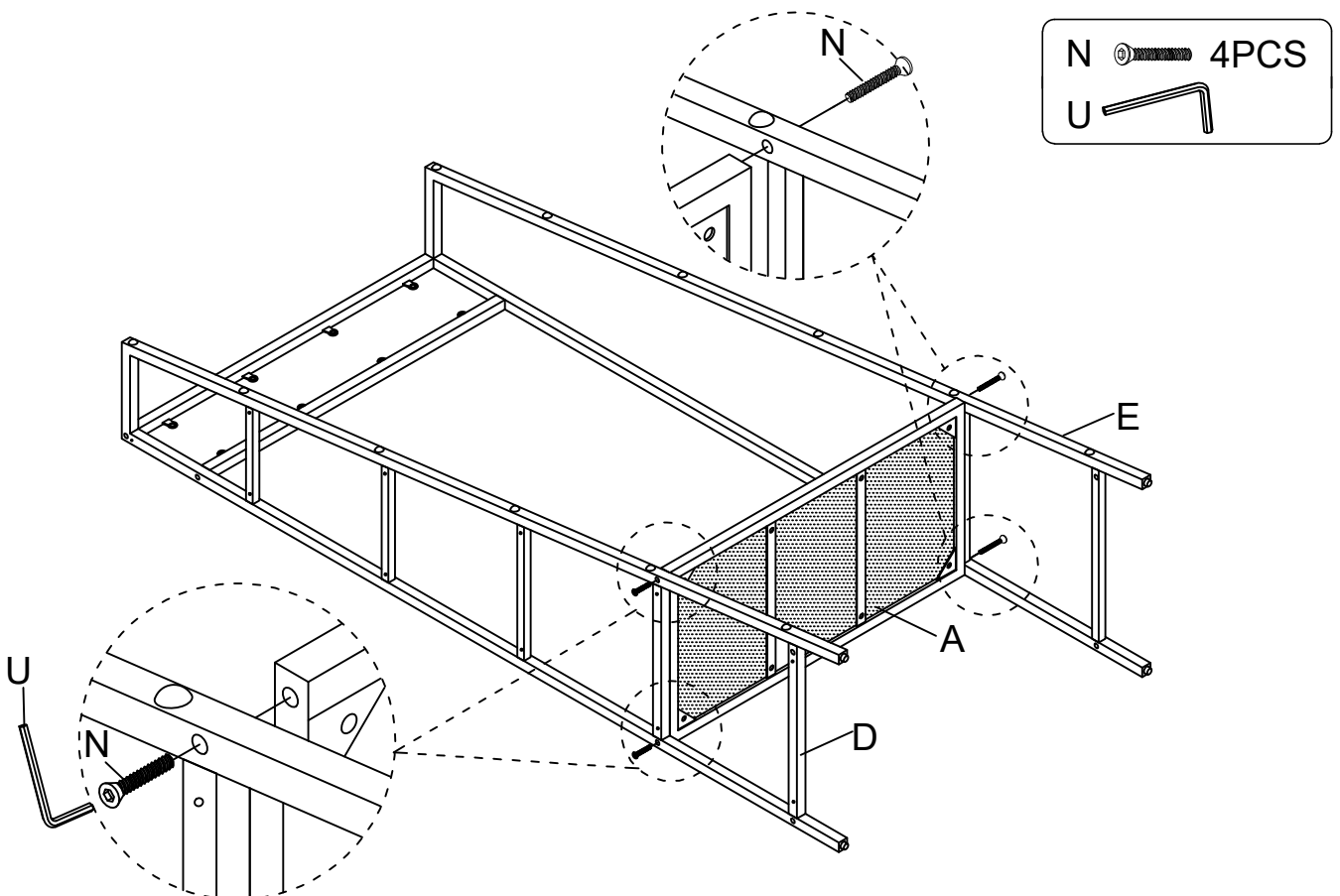


This page lists all the contents included in the box. Please take the time to identify the hardware as well as the individual components to this product. As you unpack and prepare for assembly, place the contents on a carpeted or padded area to protect them from damage.

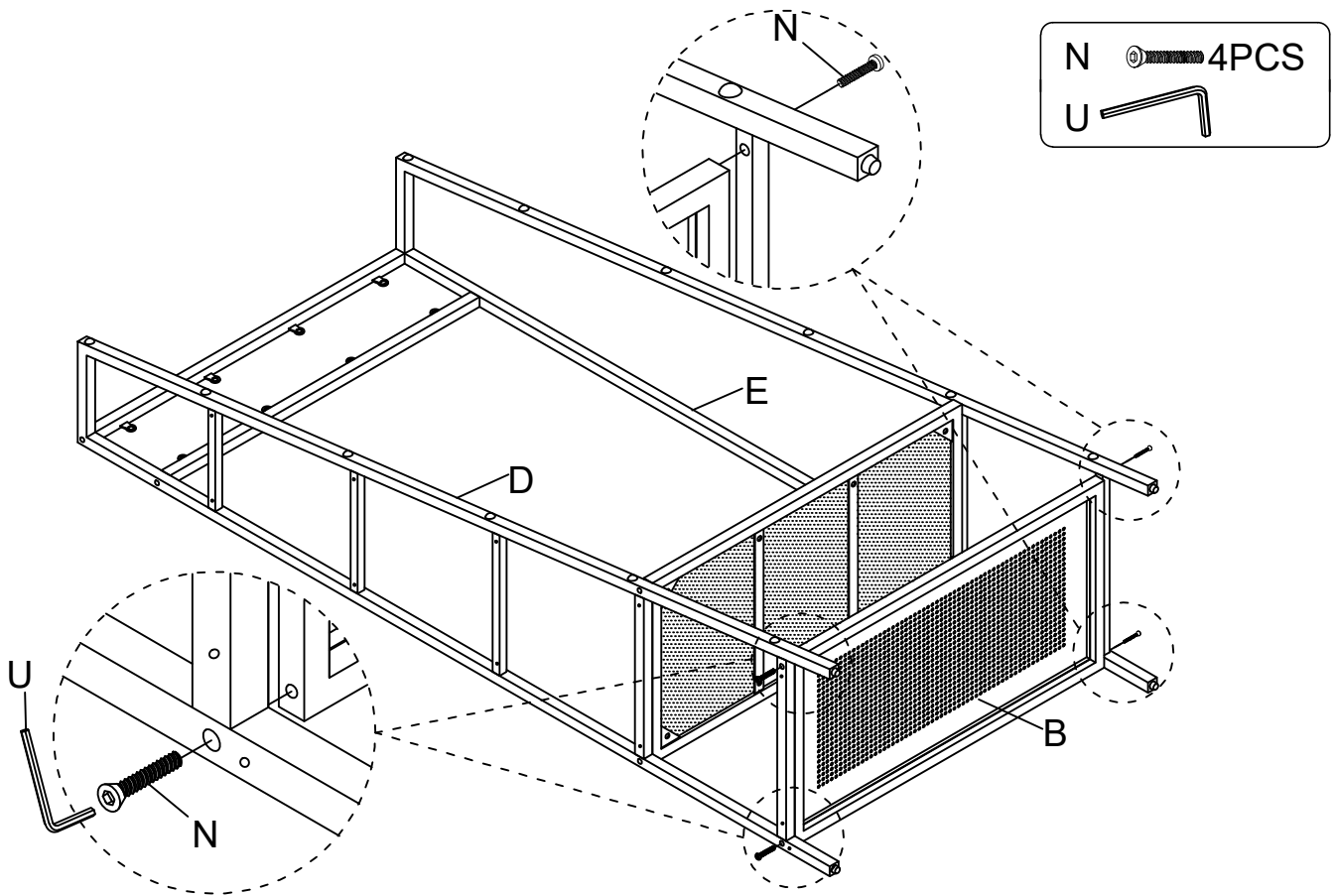
**1** Assemble Cross Bar (G) to the Middle Frame (D) and Right Frame (E) with Bolt (N), then fasten by Allen Key (U).



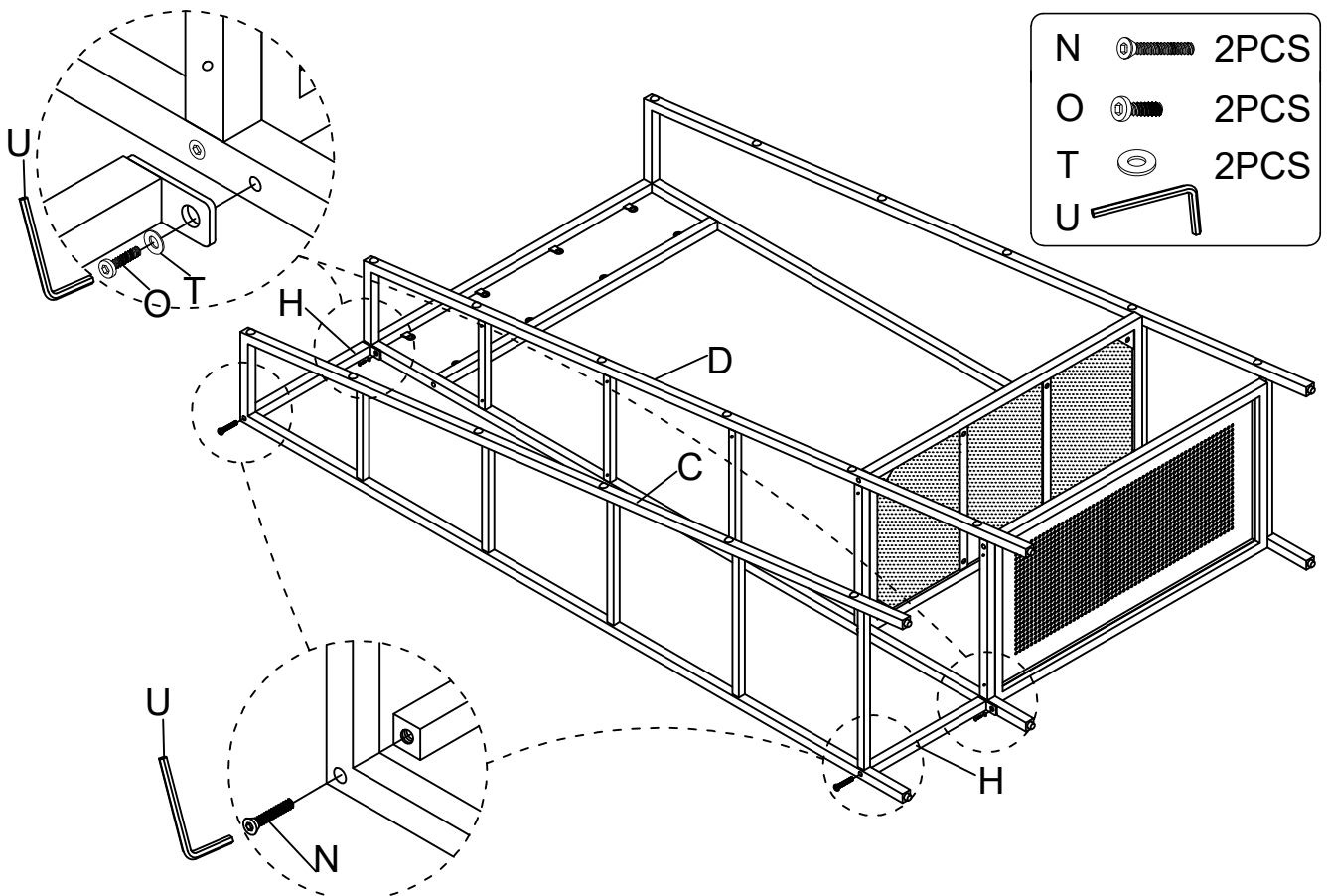
**2** Assemble Top Shelf Panel (A) to the Middle Frame (D) and Right Frame (E) with Bolt (N), then fasten by Allen Key (U).



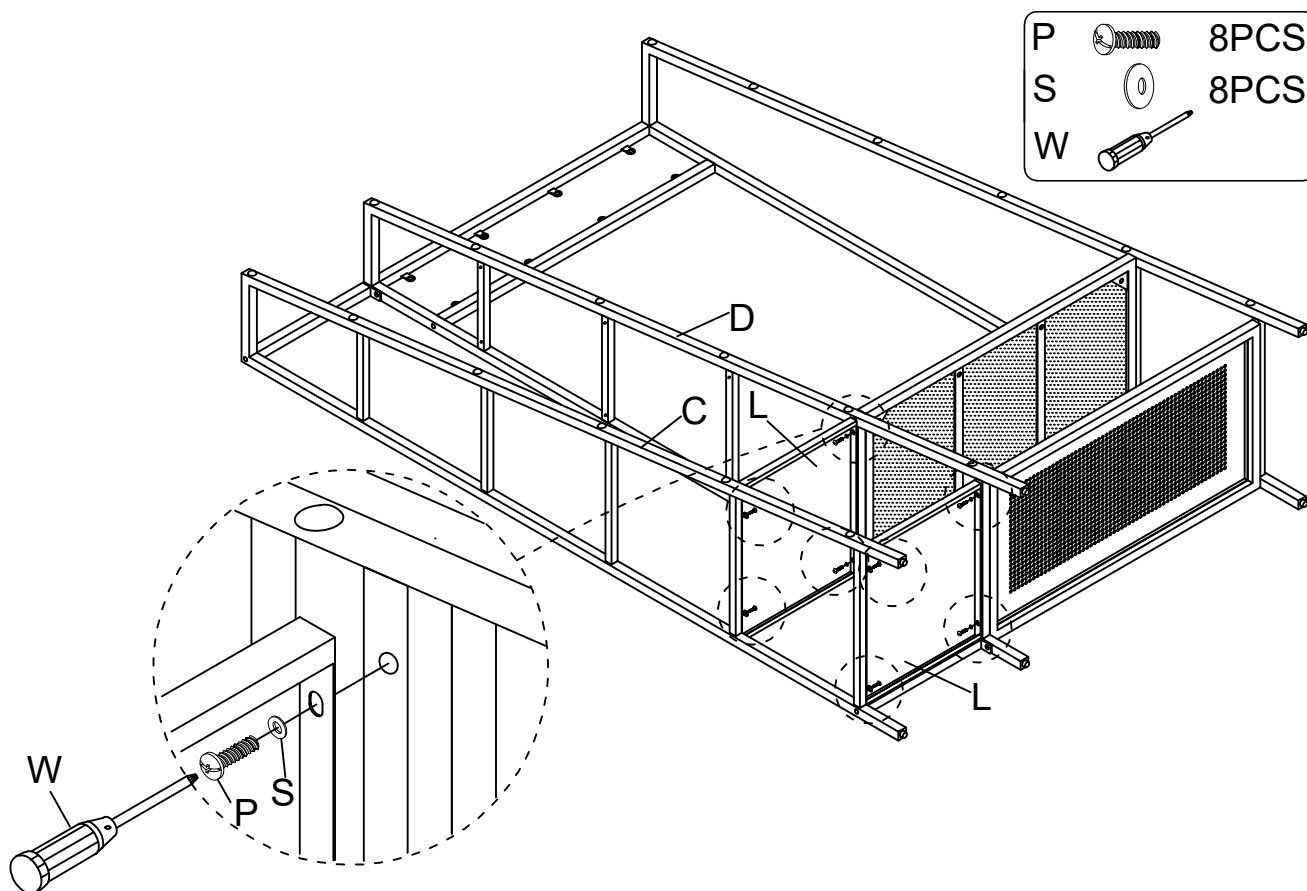
**3** Assemble Bottom Shelf Panel (B) to the Middle Frame (D) and Right Frame (E) with Bolt (N), then fasten by Allen Key (U).



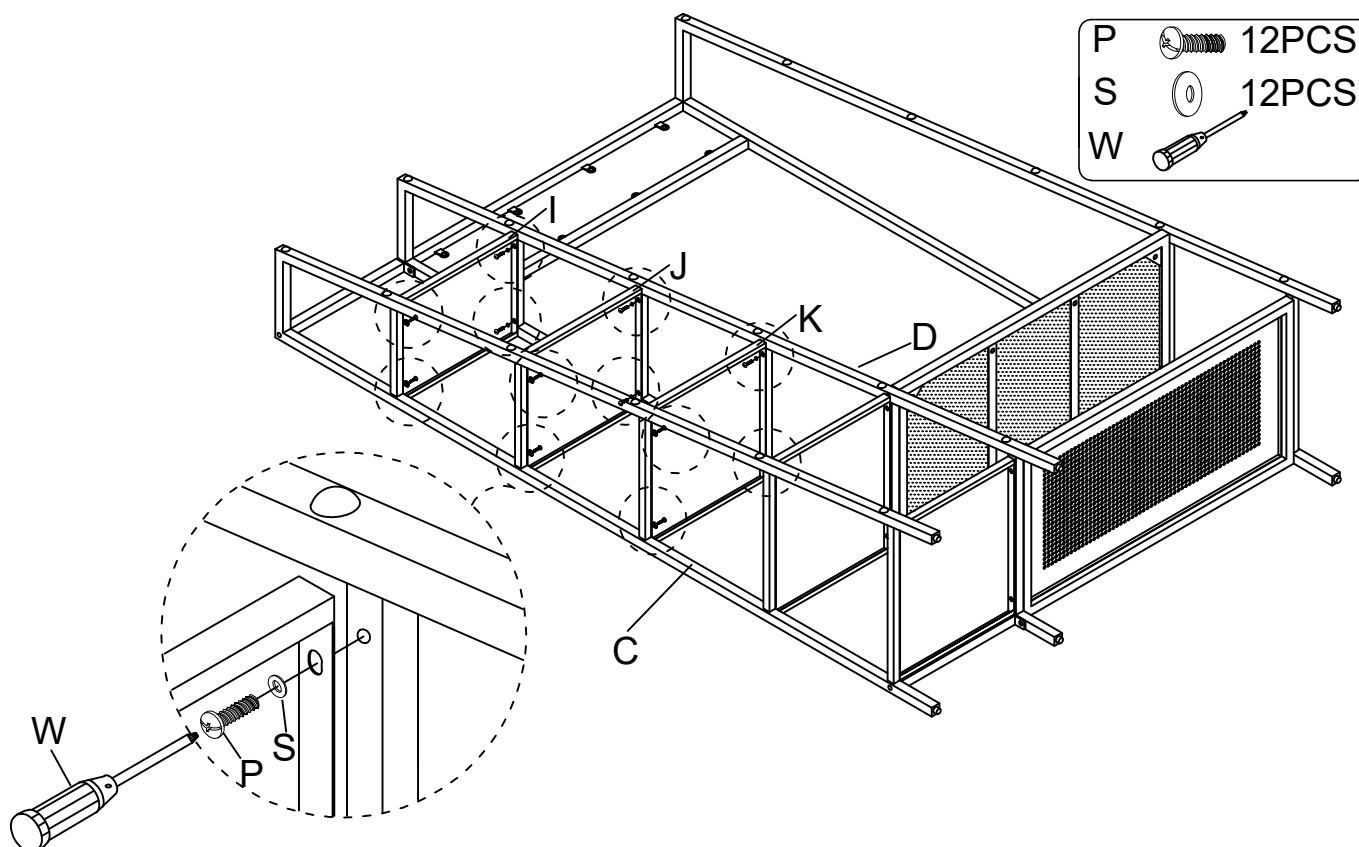
**4** Assemble Cross Bar (H) to the Top & Bottom of Middle Frame (D) and Left Frame (C) with Bolt (N), Bolt (O) and Flat Washer (T), then fasten by Allen Key (U).



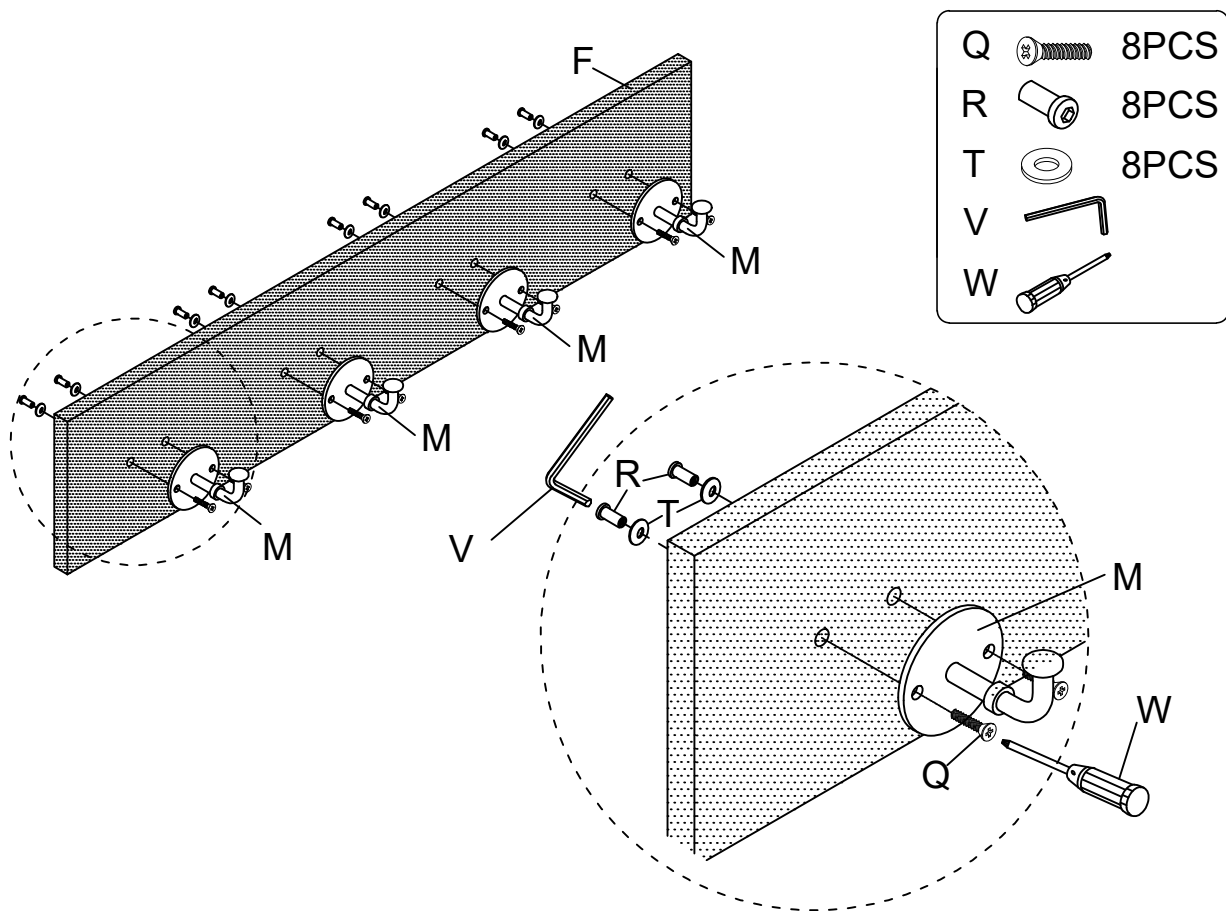
**5** Assemble Shelf Panel (L) to the Middle Frame (D) and Left Frame (C) with Bolt (P) and Flat Washer (S) by Screwdriver (W).



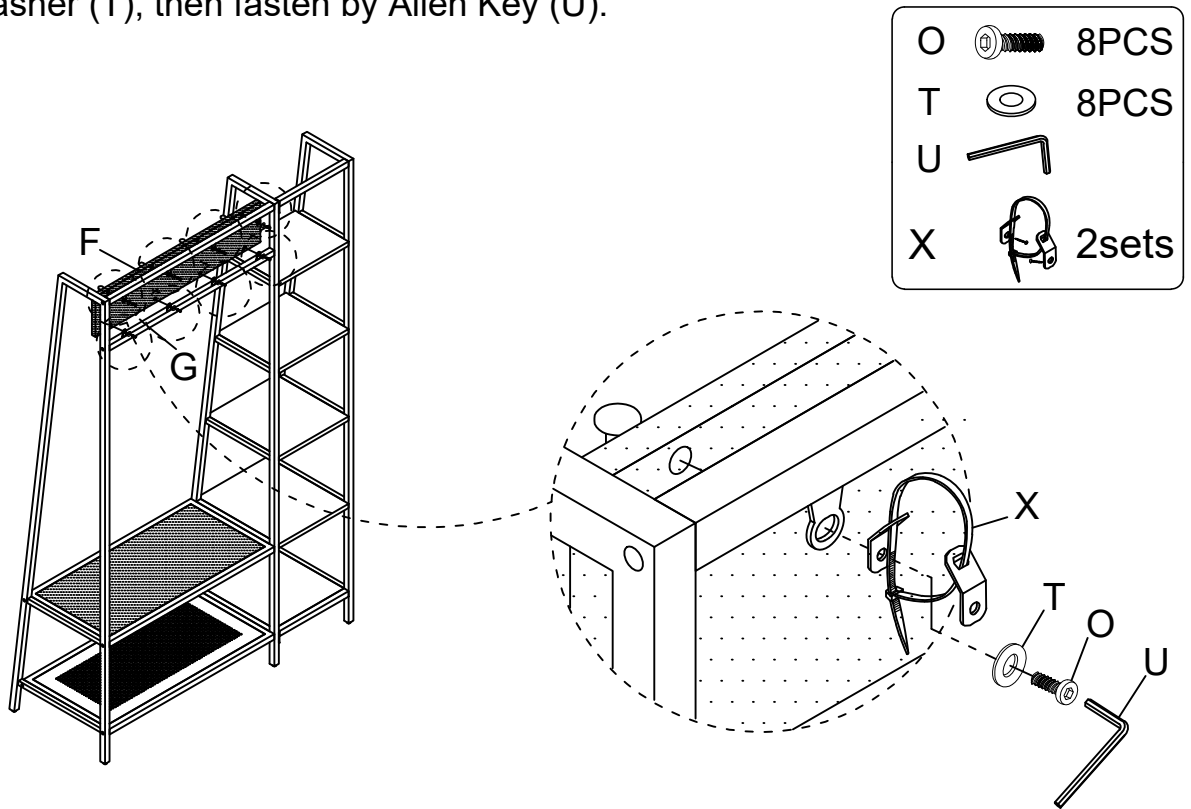
**6** Assemble Shelf Panel (I), Shelf Panel (J), Shelf Panel (K) to the Middle Frame (D) and Left Frame (C) with Bolt (P) and Flat Washer (S) by Screwdriver (W).



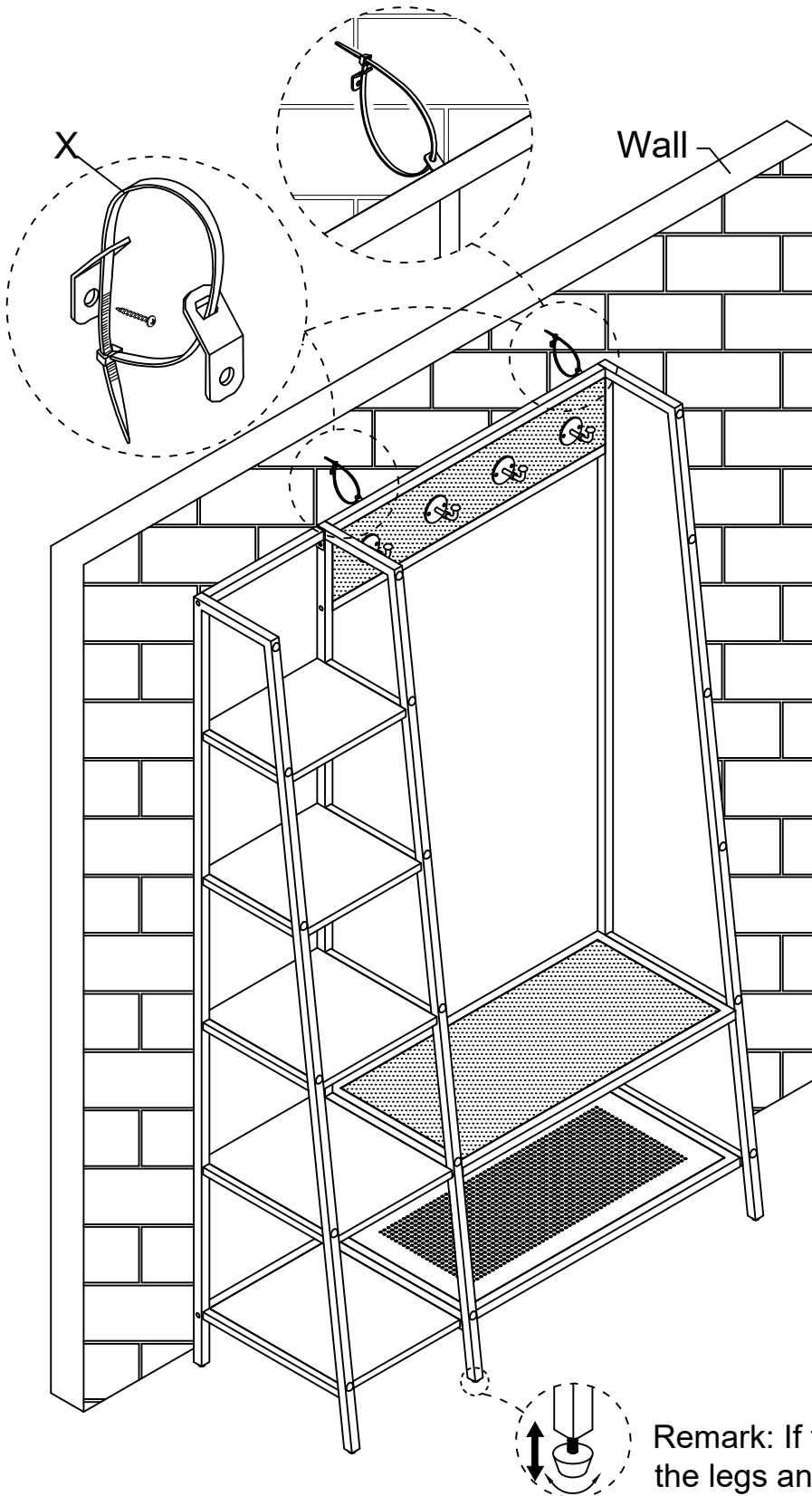
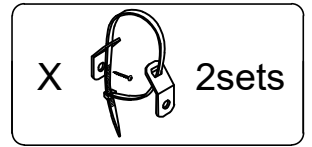
**7** Assemble Hook (M) to the Top Board (F) with Bolt (Q), Bolt (R) and Flat Washer (T), then fasten by Allen Key (V) and Screwdriver (W).



**8** Assemble Top Board (F) to the Cross Bar (G) with Anti-Tipping Kit (X), Bolt (O) and Flat Washer (T), then fasten by Allen Key (U).



**9** Remark: there is a tip restraint kit provided on the back of this product. Please read the instruction thoroughly and install immediately when placed in home. To prevent tip over, the product must be attached to wall.



Remark: If there is any gap between the legs and ground, please adjust the leveler until it reaches the ground.

### Cleaning & Care

Treat surface with care. Surface is resistant to scratches but is not scratch resistant. Clean surfaces with a dry or damp soft cloth. Do not use abrasive cleaners. Hardware may loosen over time. Periodically check that all connections are tight.