

Figure 1

### **Place Slider Panel in shower**

Before starting the installation process, place Slider Panel inside the shower on cardboard to protect the bottom of door. Be sure to face handle Holes toward wall door closes to. This will make it easier for installation at later stage once fixed panel and bar has been set in place.

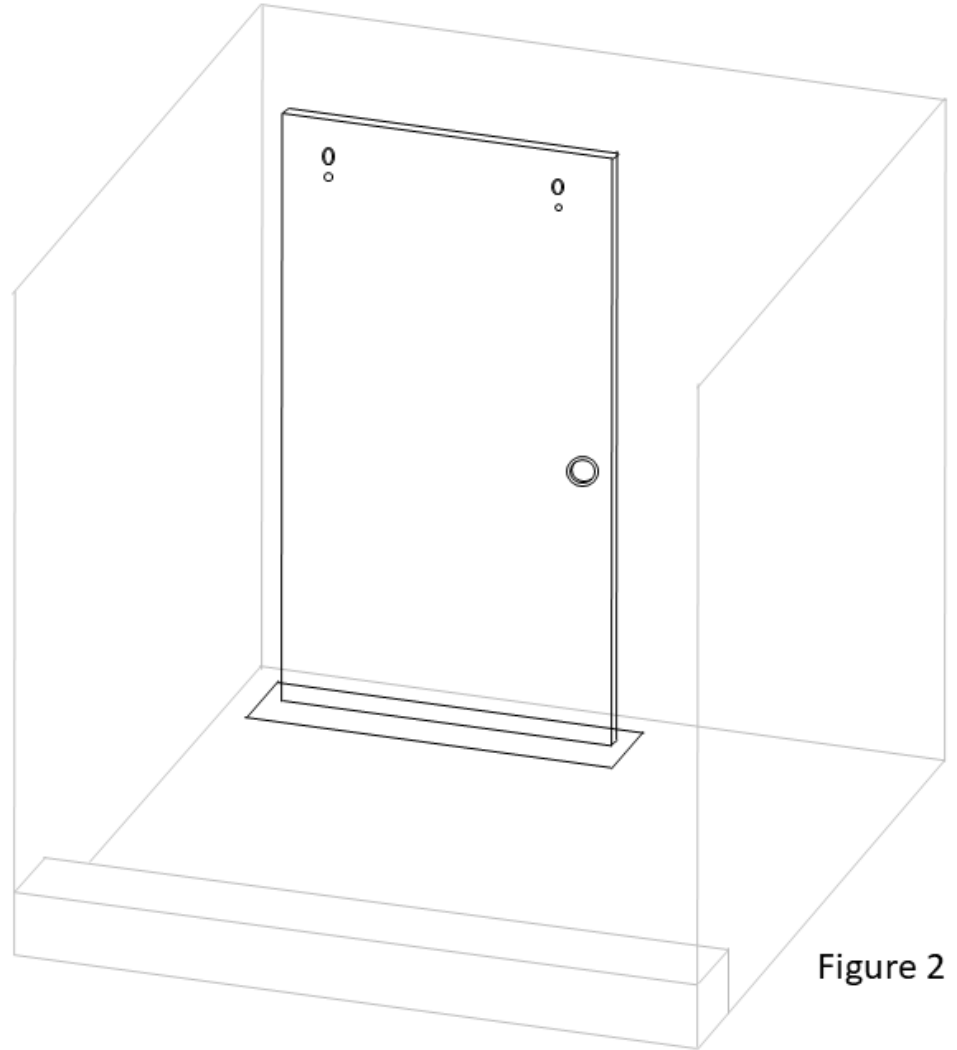


Figure 2

### Mark the threshold and Fixed Panel wall

Measure the width of threshold tile where the shower door is to be installed. This needs to be a minimum of 2 ½" to install this model shower enclosure. Mark the middle of the threshold and draw a line. Transfer the line to the wall where the fix panel should be attached. From here, measure 1" towards the outside edge of the threshold and mark with a pen. This is the position of the fixed panel.

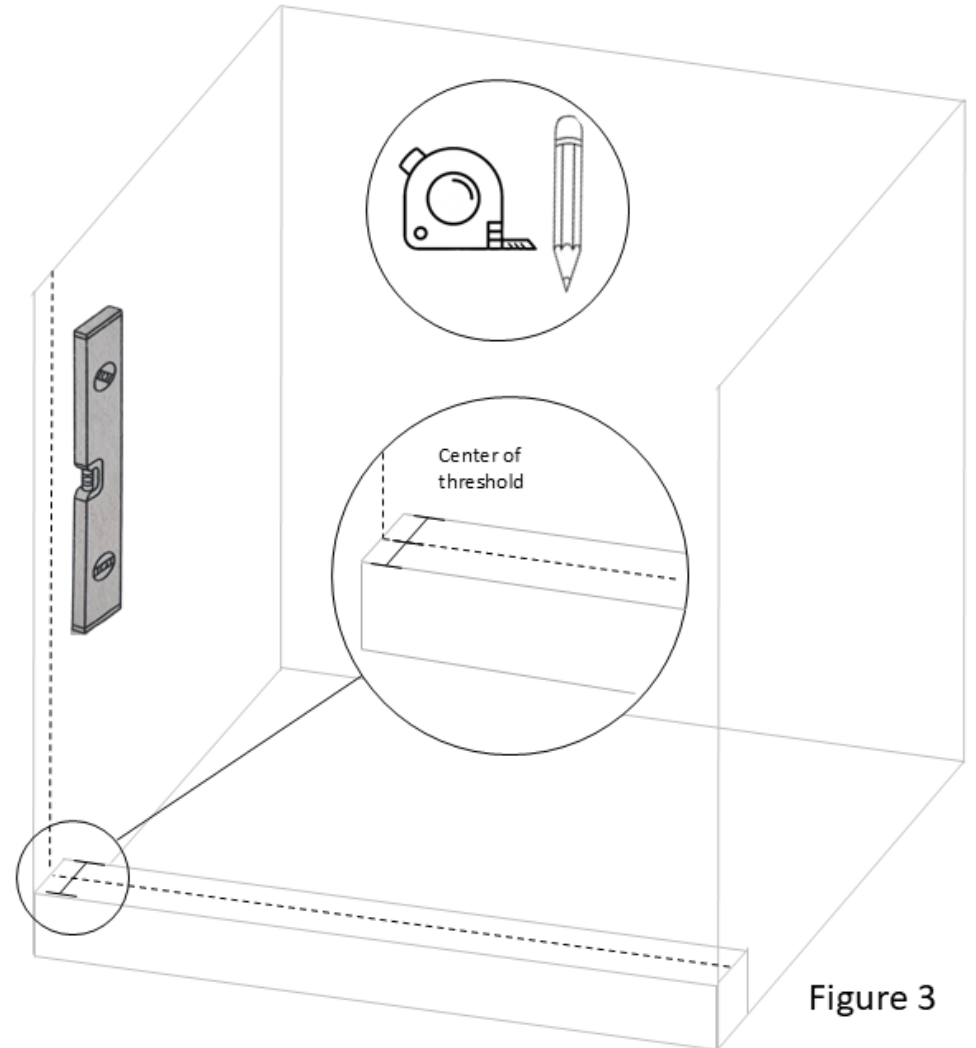


Figure 3

### Mark the holes for Wallclips

Mark twice one fifth of the door height on the vertical line of the fixed panel and twice one fifth of the door width on the horizontal line of the fixed panel.

As shown in Figure 04.

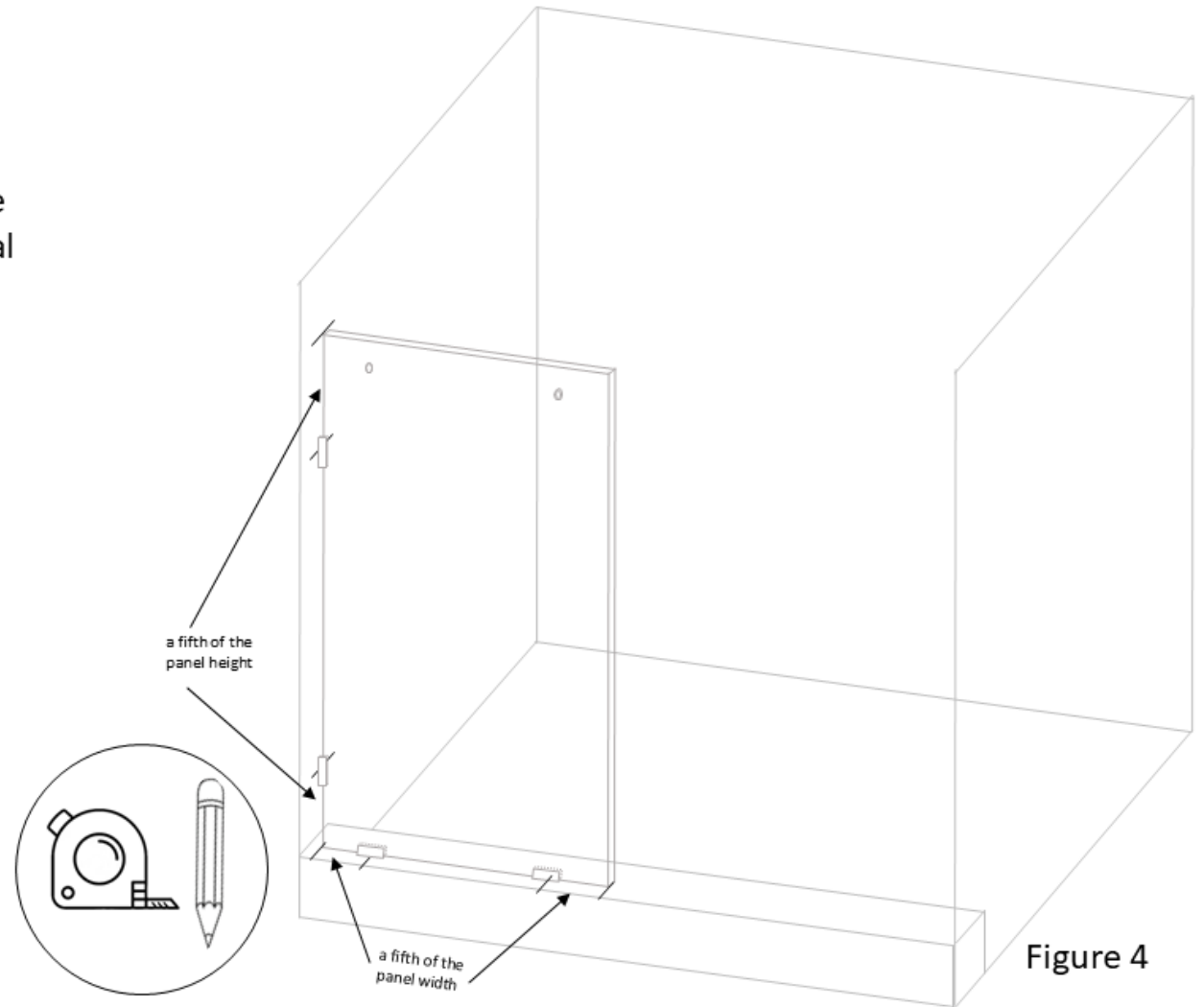


Figure 4

### Drill the holes for Clips

Using a ¼" drill bit , drill holes and install the wall anchors. Trimm exess from the wall anchors hanging out of hole with utility knife  
So your clips can sit flush to wall.

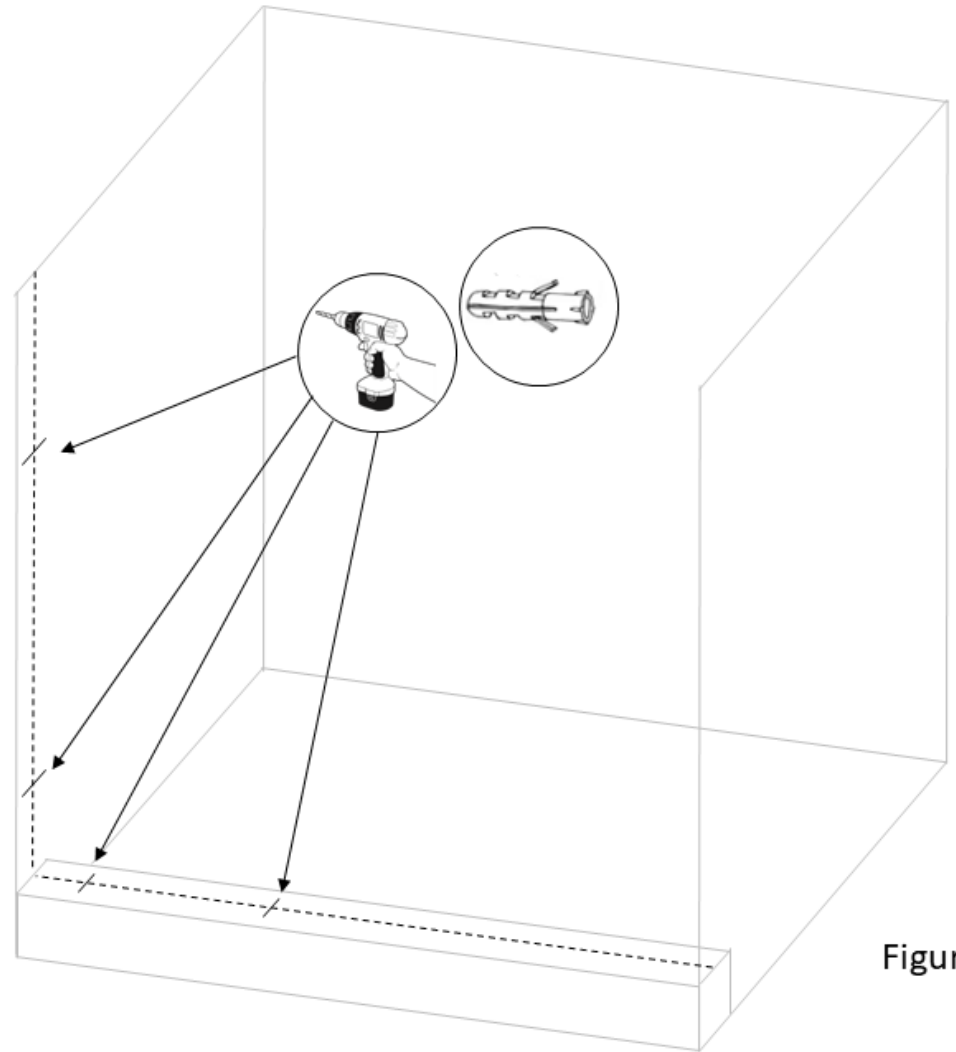


Figure 5

### Install Fixed Panel Clips

Place Clips over holes and drill screws into wall anchors to secure clips. Make sure these are securely tightened.

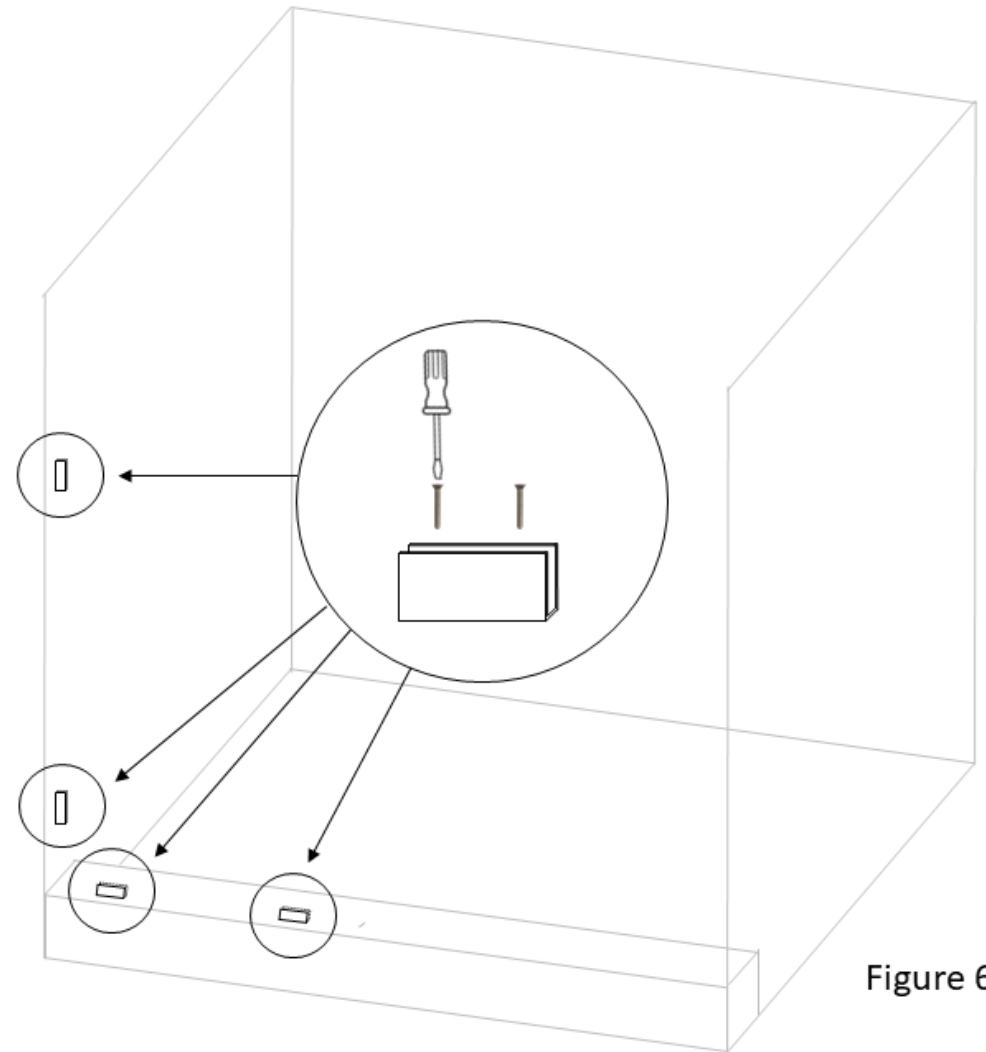


Figure 6

**Attach sealing strips**

Place the sealing strips on the fixed and the sliding panel as shown in Figure 7

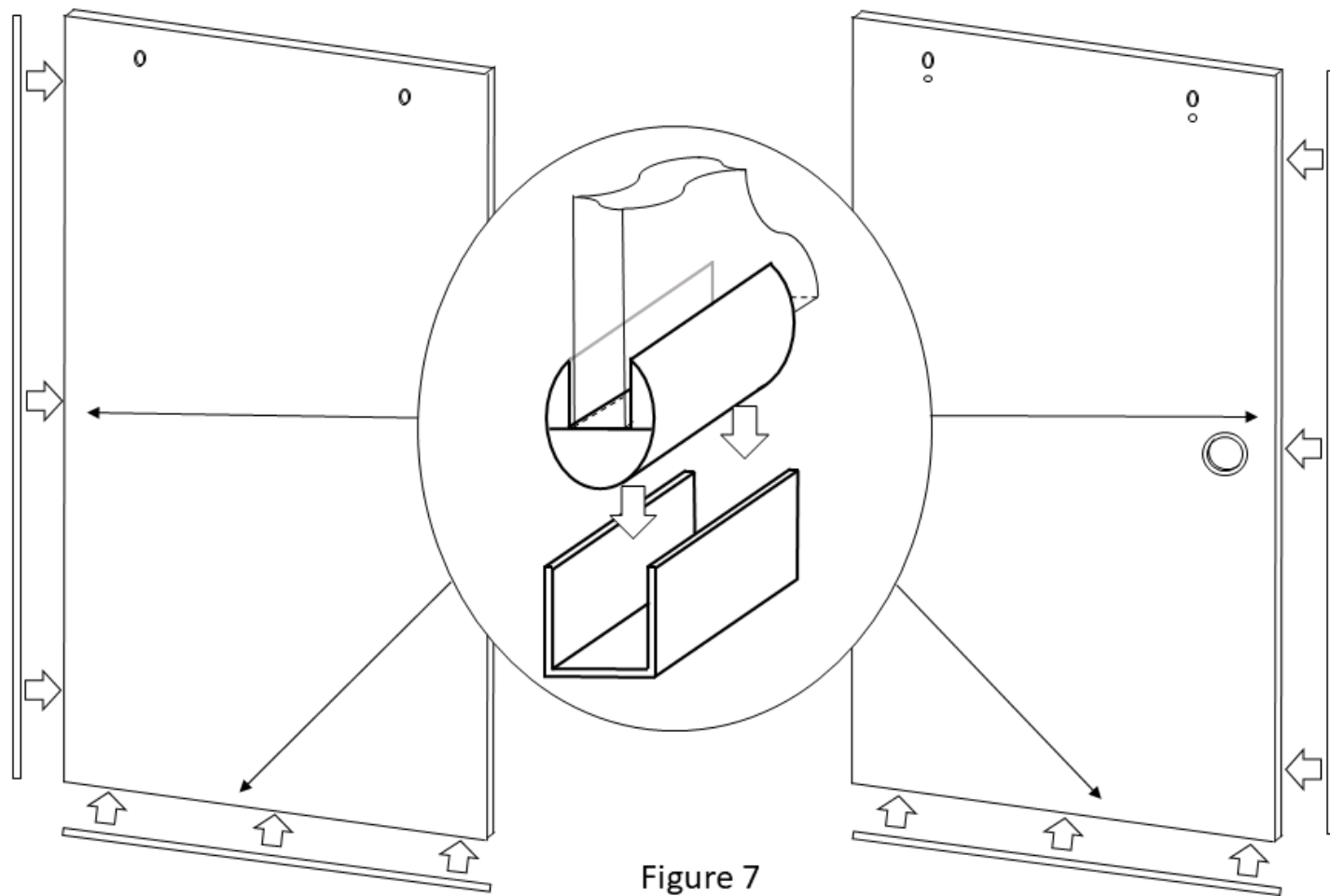


Figure 7

### Fixed Panel Installation

Carefully place the fixed panel with the sealing strips into the clips. (as shown #1. Attach it with the grub screws, place the two silicone pads between the grub screws and the fixed panel #2 to avoid any damage on the Glass panel. As shown in figure 08.

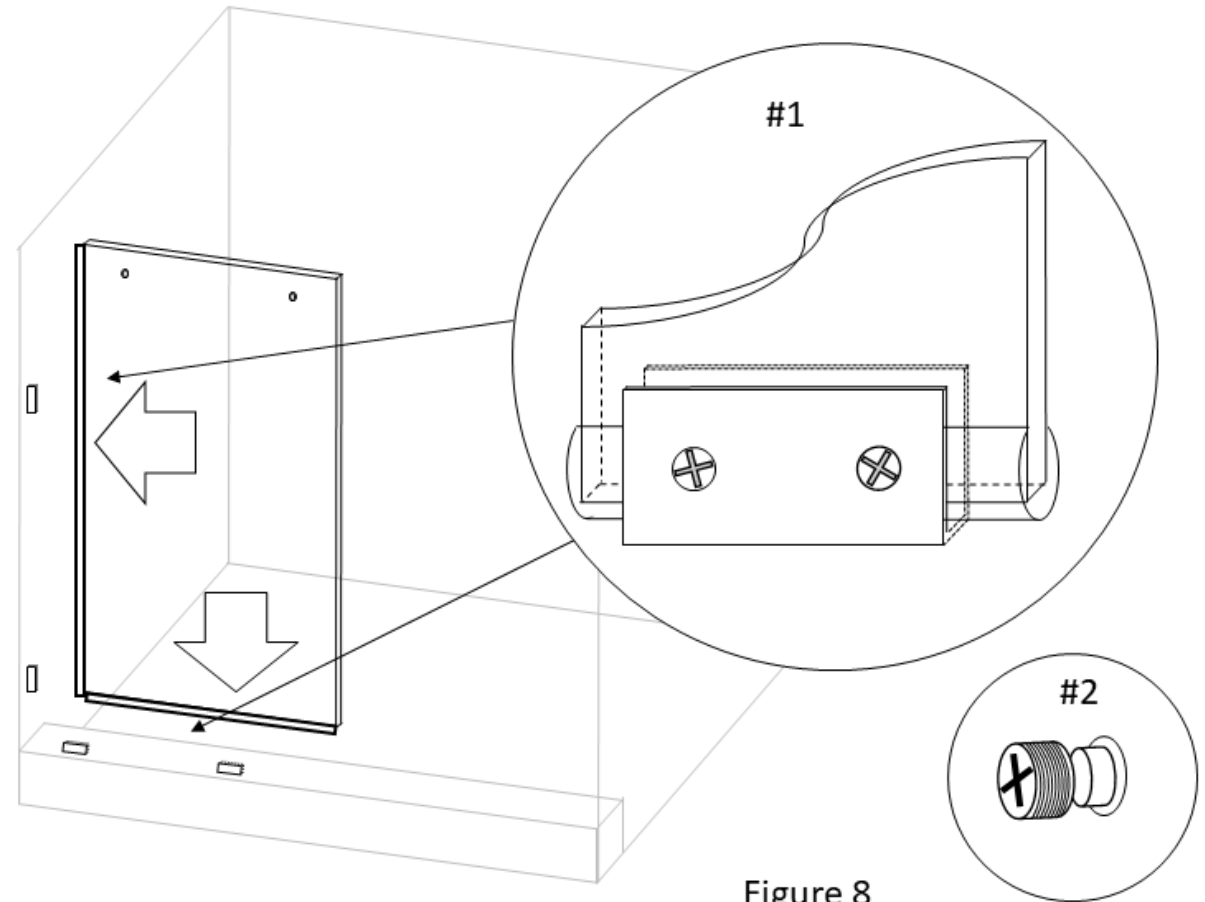


Figure 8

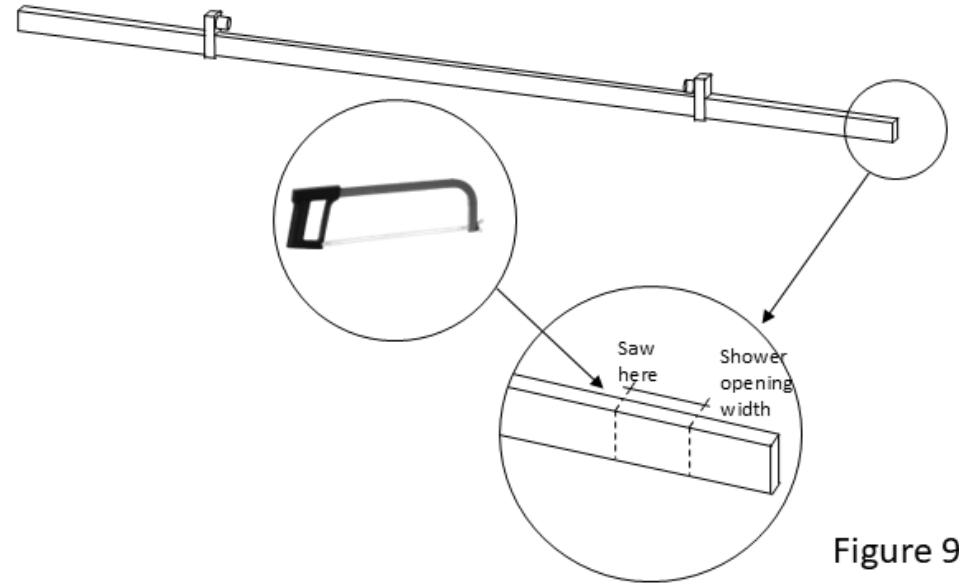
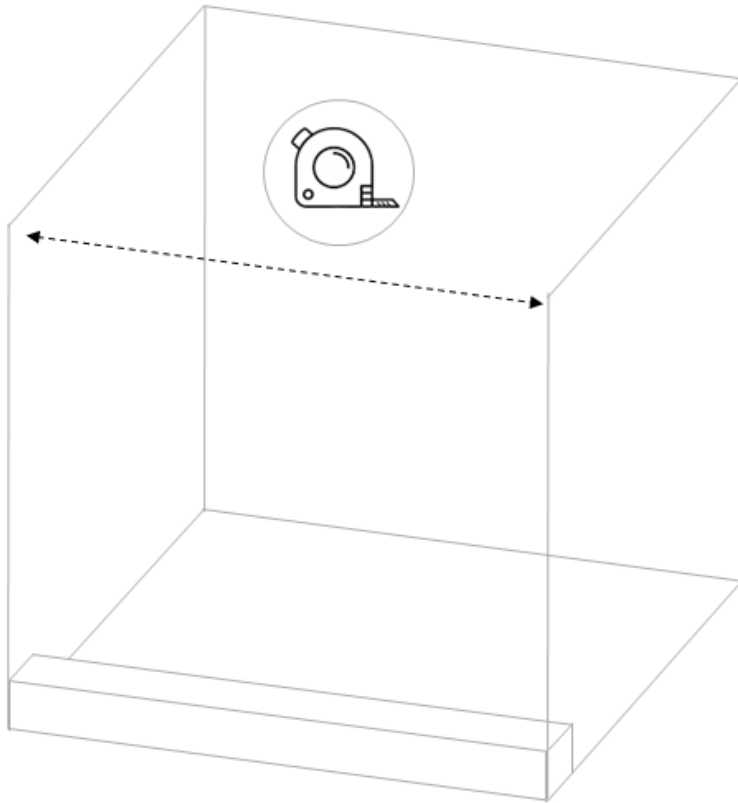


Figure 9

**Measure and cut Shower Rod**

Measure the opening width and cut the shower rod 1" shorter. Use a hacksaw to cut the Shower Rod to the correct length.

### Mark and Drill Holes for Fixed Panel Brackets

Hold the shower rod in place and mark the two holes for the Fixed Panel connection block, as shown in figure 10 #1 then drill the 2 holes in the shower rod with a 5/16" drill bit as shown in figure 10 #2

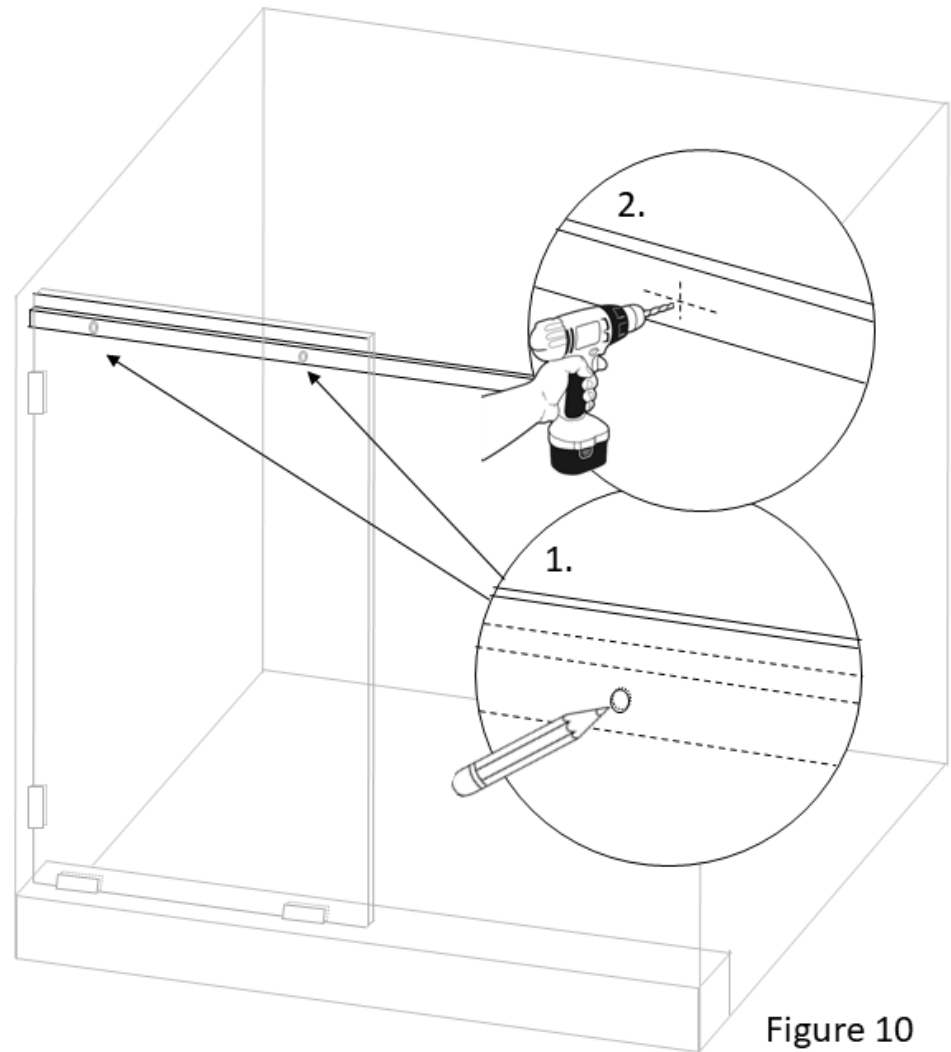


Figure 10

**Level Shower Rod and mark holes to drill**

Place the wall brackets on both ends of the shower rod and mark their position on the wall. Hold the wall brackets at the marked position on the wall and mark the hole. Drill the hole and set the wall anchor

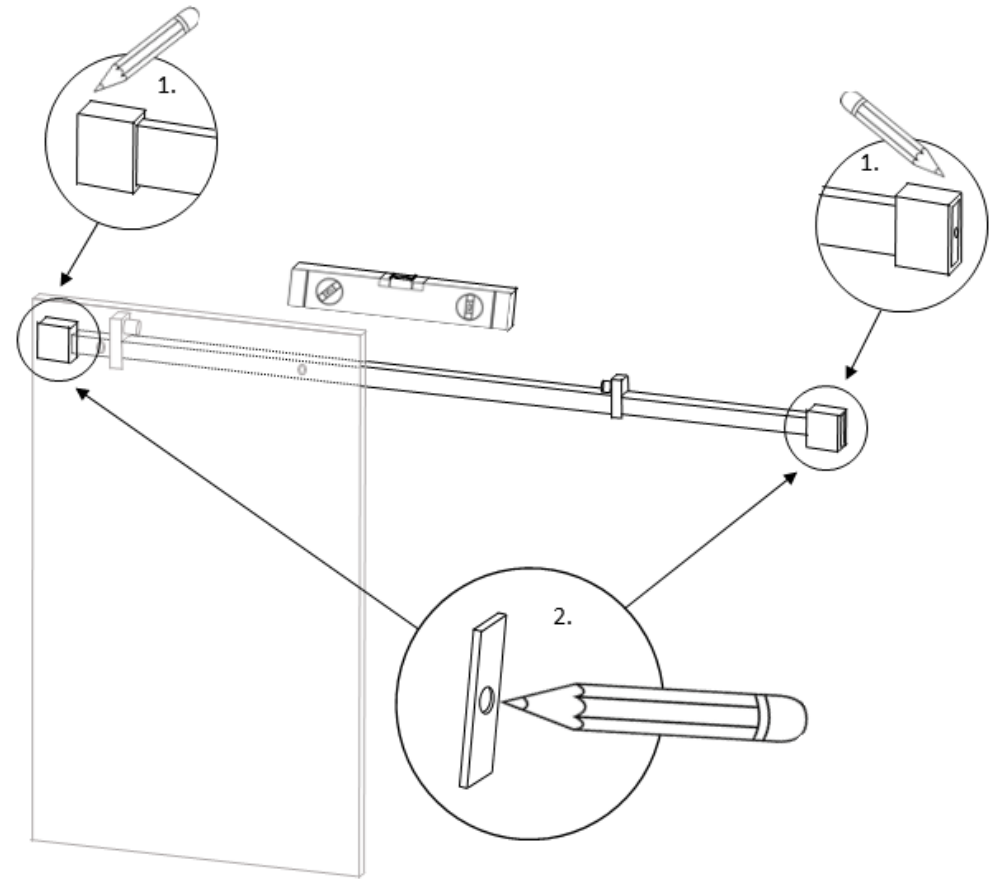


Figure 11

### Screw in Shower Rod Bracket

Drill the holes at the marked positions (#1), insert the dowels and attach the wall bracket retaining plates with the screws (#2). As shown in Figure 12.

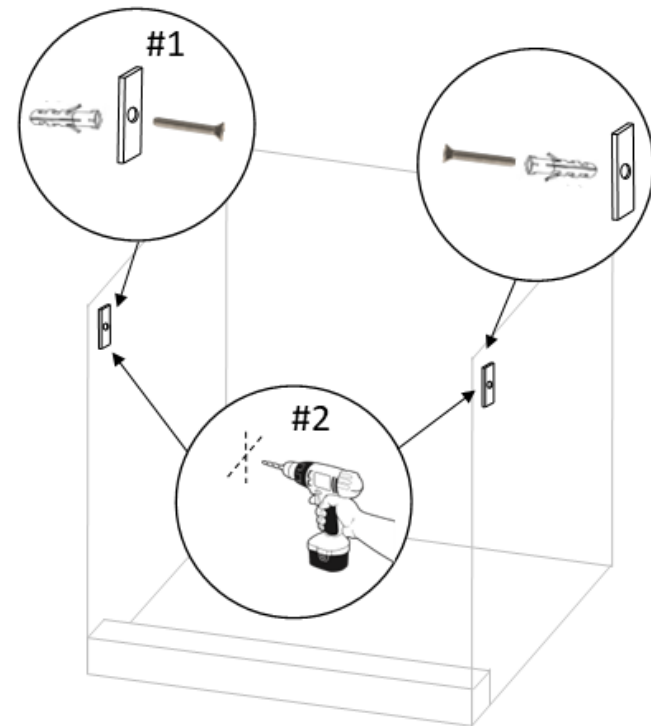


Figure 12

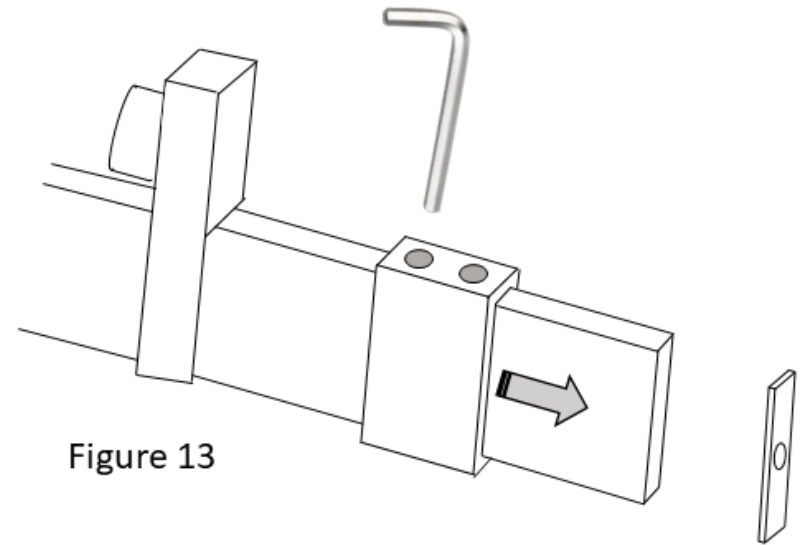
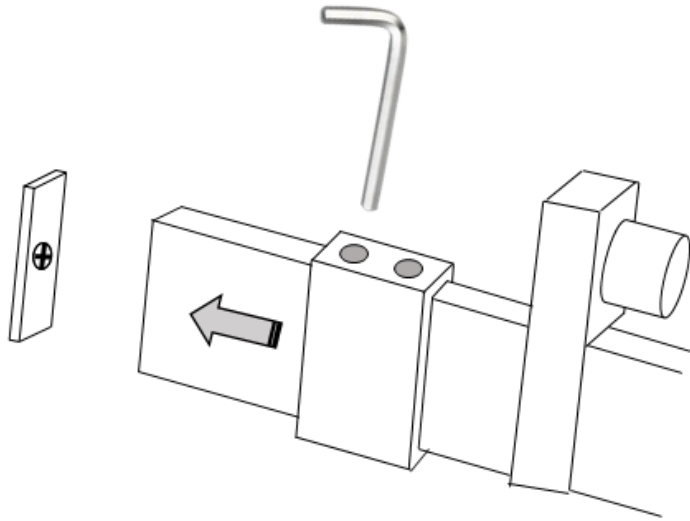


Figure 13

### Complete Shower Rod install

Slide the wall brackets onto both ends of the shower rail, then slide the two wheel stoppers onto the shower rail, place the rail in position and slide the wall brackets over the retaining plates. Then tighten the grub screws to the shower rail and the retaining plate. (As shown in Figure 13)

**Install the Fixed Panel Brackets on the Shower Rod.**

Install the brackets on Guide Rail into the holes on the Fixed Panel. Make sure there is always a silicone pad between bracket/glass connections.

As shown in figure 14

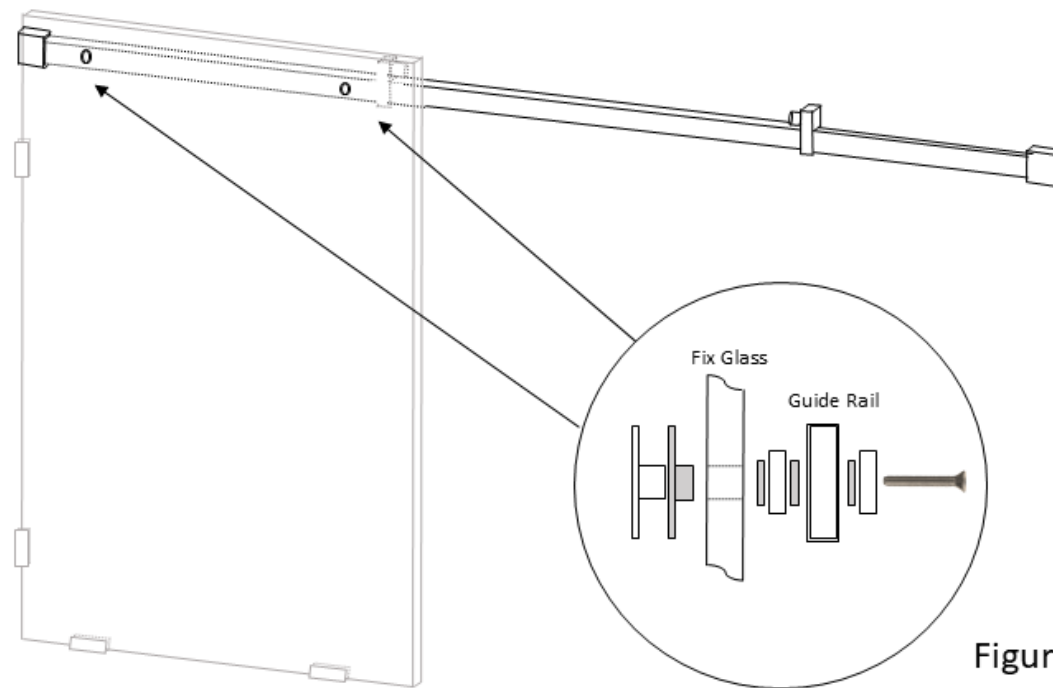


Figure 14

### install the floor guide

Place the floor guide on the threshold behind the fixed panel so that the end is flush with the fixed panel.

(as shown in #1)

Mark the holes 1 ¼ inches apart from inside of the fixed panel.

(as shown in #2)

Insert the wall anchors and screw the floor guide tight (as shown in #3)

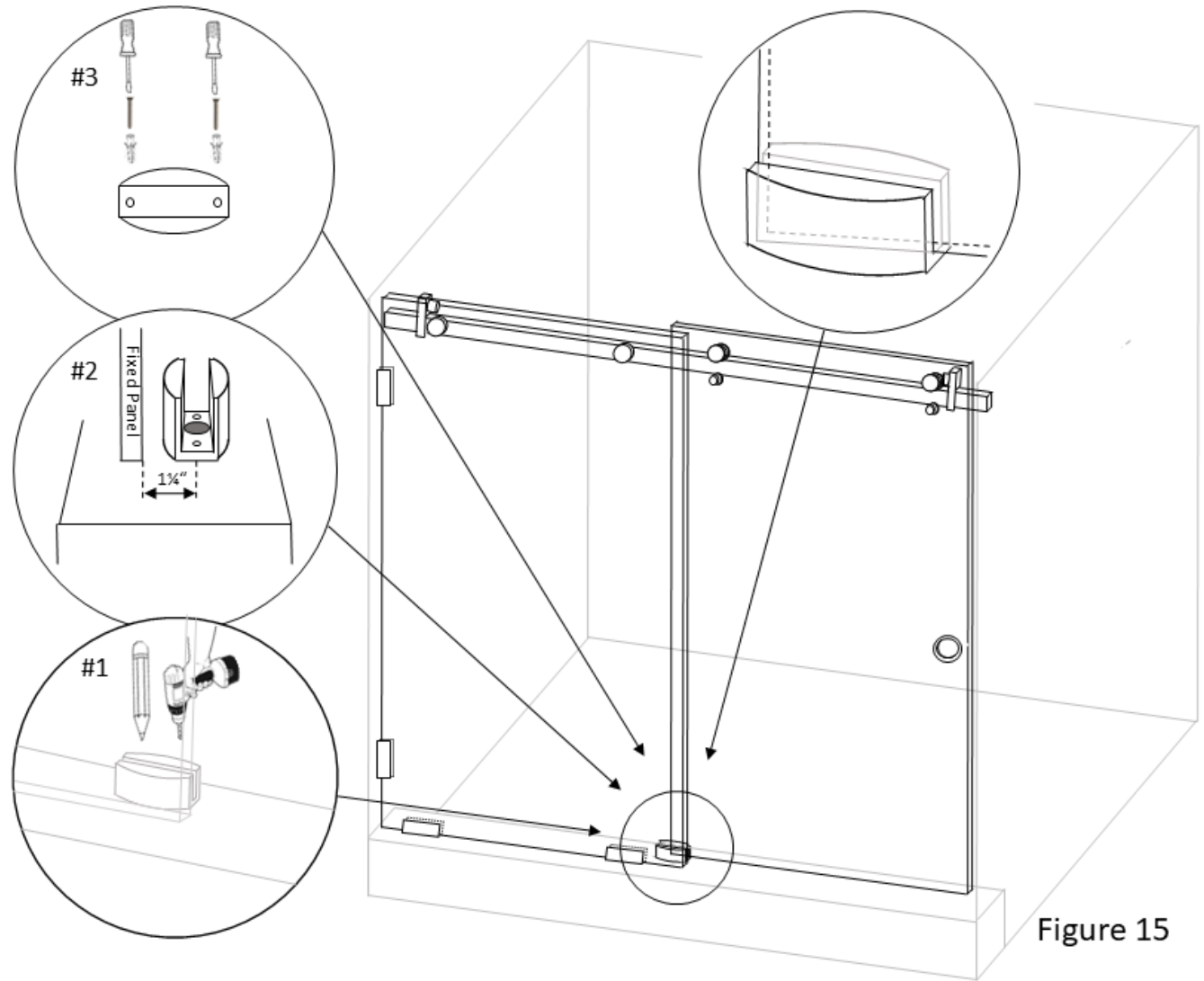


Figure 15

### Assemble the Glass Handle

Unscrew the handle into two pieces and place the thicker piece on the under side of the handle hole. Place the thin piece on the topside of the hole and screw together until snug. (as shown in #1)

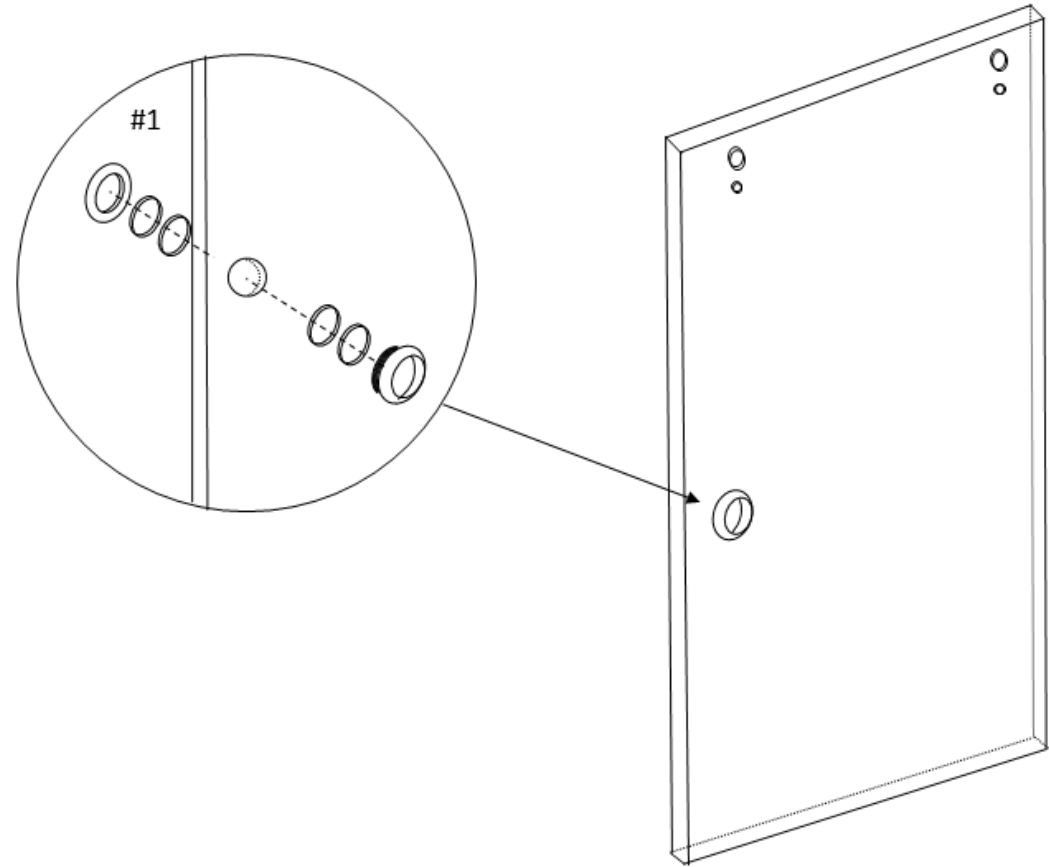


Figure 16

### Install Sliding Panel Rollers

Put the Sliding Panel on cardboard to avoid cracking or chipping.

Carefully install the Slider Panel Rollers on the Slider Panel. Make sure there is always a silicone pad between Panel Rollers/Glass connections. (as shown in #1)

Be sure that Slider Panel is sitting on cardboard to avoid cracking or chipping.

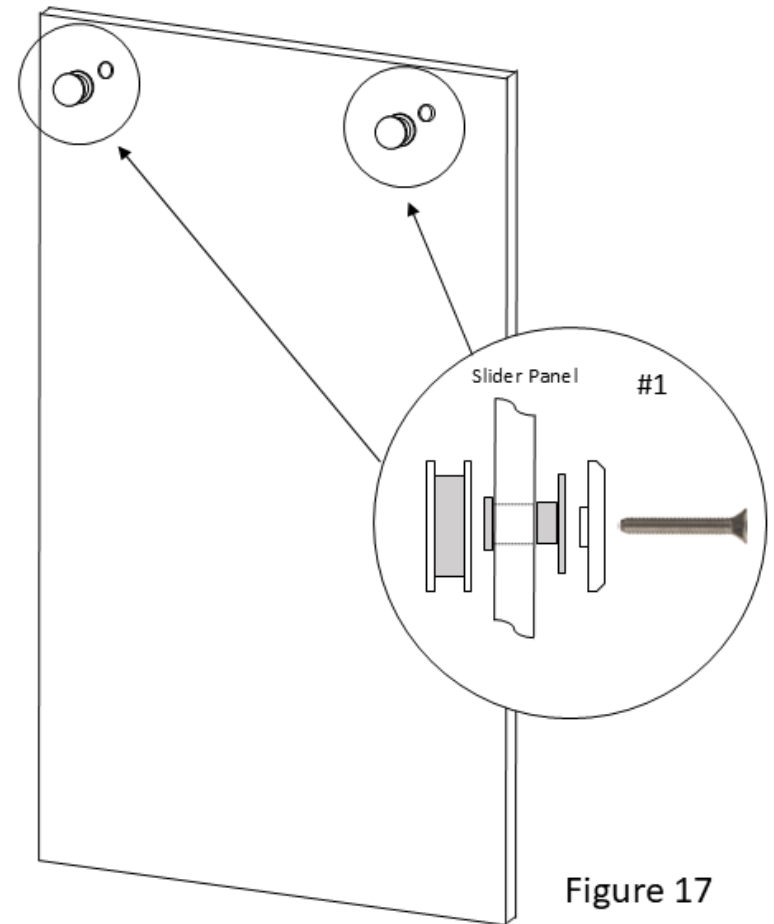


Figure 17

### Install the Slider Panel

Lift the door and slowly lower the rollers onto the Shower Rod. When lowering the panel be sure the bottom of Slider Panel slides into the Floor Guide.

(as shown in #1)

If the rollers do not line up perfectly with the holes in the glass, you can loosen the allen screw on the roller to adjust it side by side to suit the holes in the glass.

(as shown in #2 & #3)

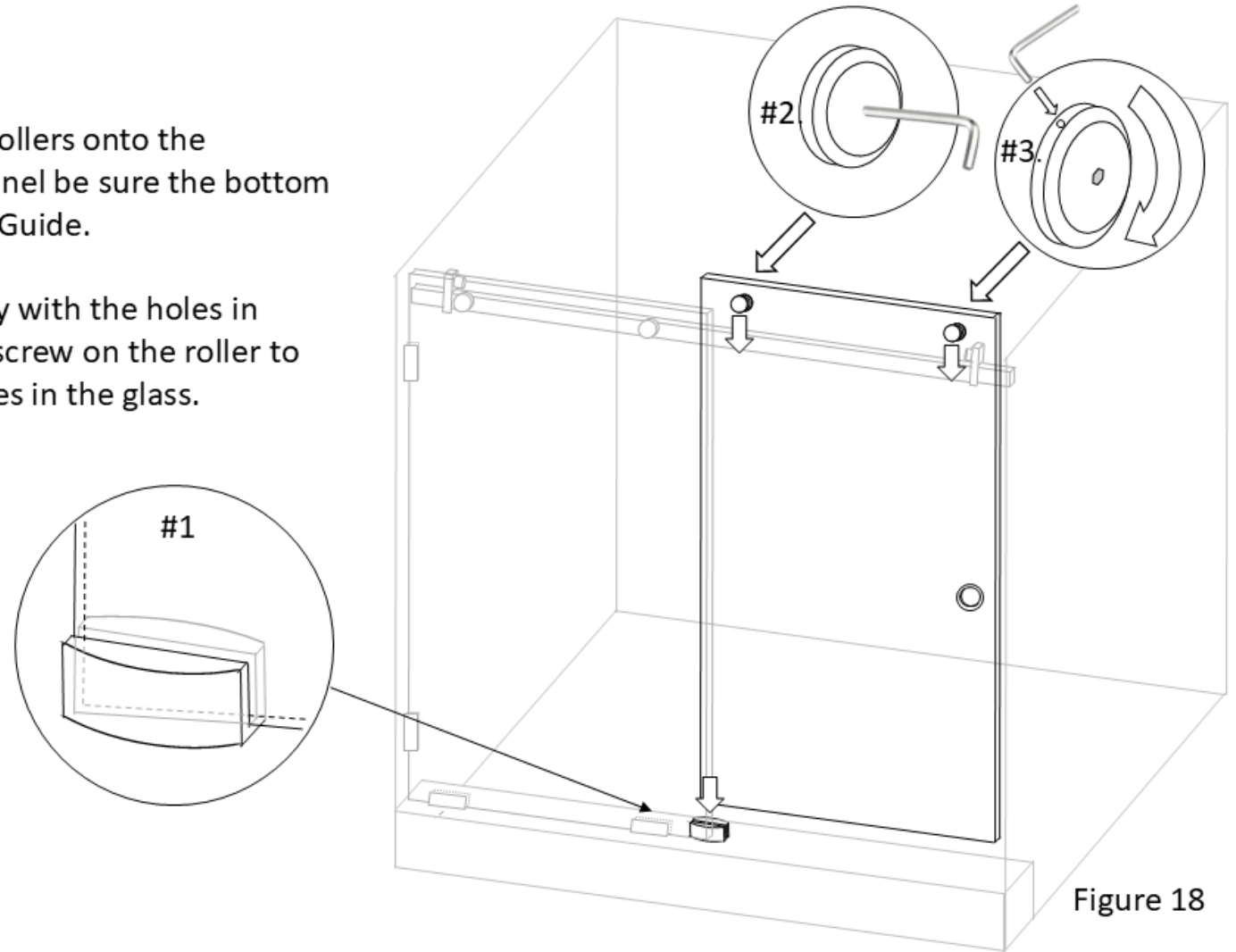


Figure 18

### **Install the Wheel Keeper**

Install Wheel Keeper on slider Panel to prevent door from being able to come off rollers.

The Wheel Keeper need to be almost touching the Shower Rod to insure that the Sliding Door is completely secure.

Make sure there is always a silicone pad between Wheel Keeper parts and glass.

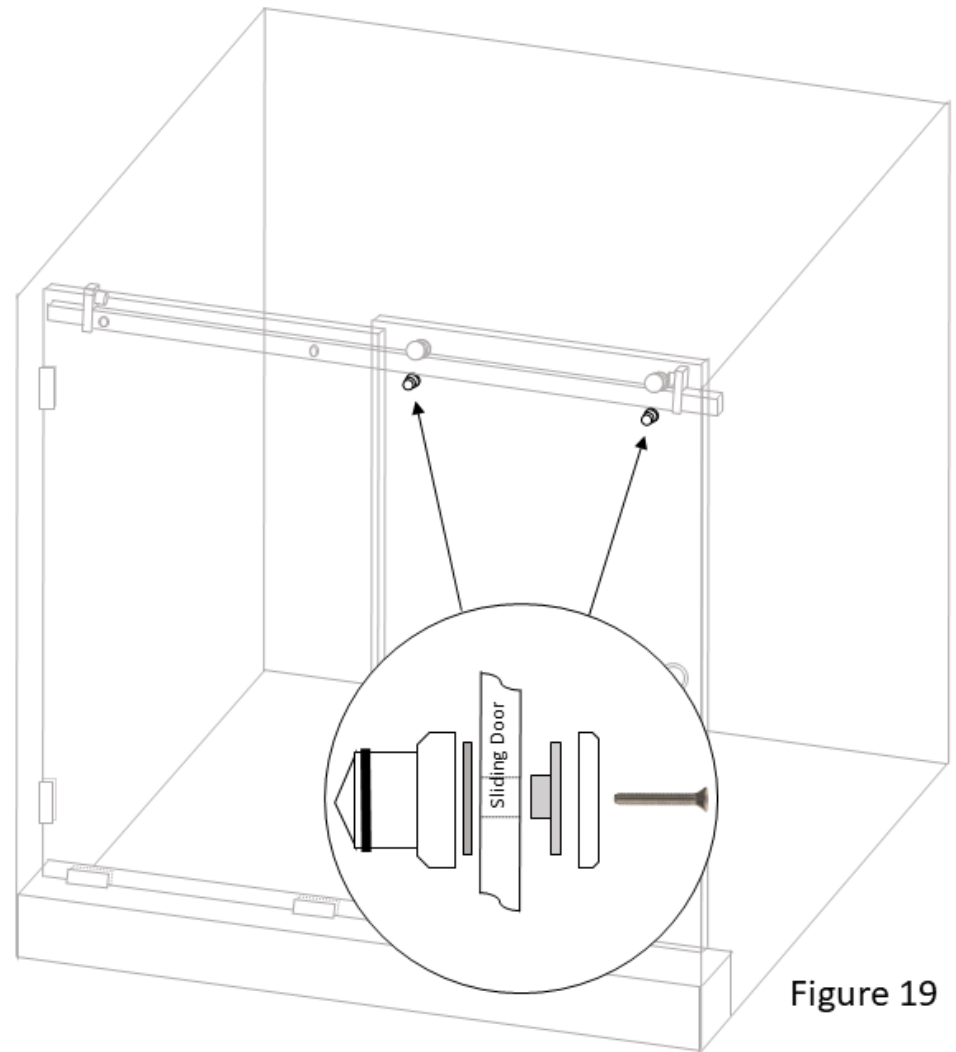


Figure 19

## Adjust Slider Panel Stoppers

**Important:** Slide door gently when testing Door Stops so as not to damage the door or the fixed panel.



Adjust location of Slider Stoppers on Shower Rod to ensure the Slider Panel does not hit the wall. Screw them tight with the allen key. (as shown in #1)

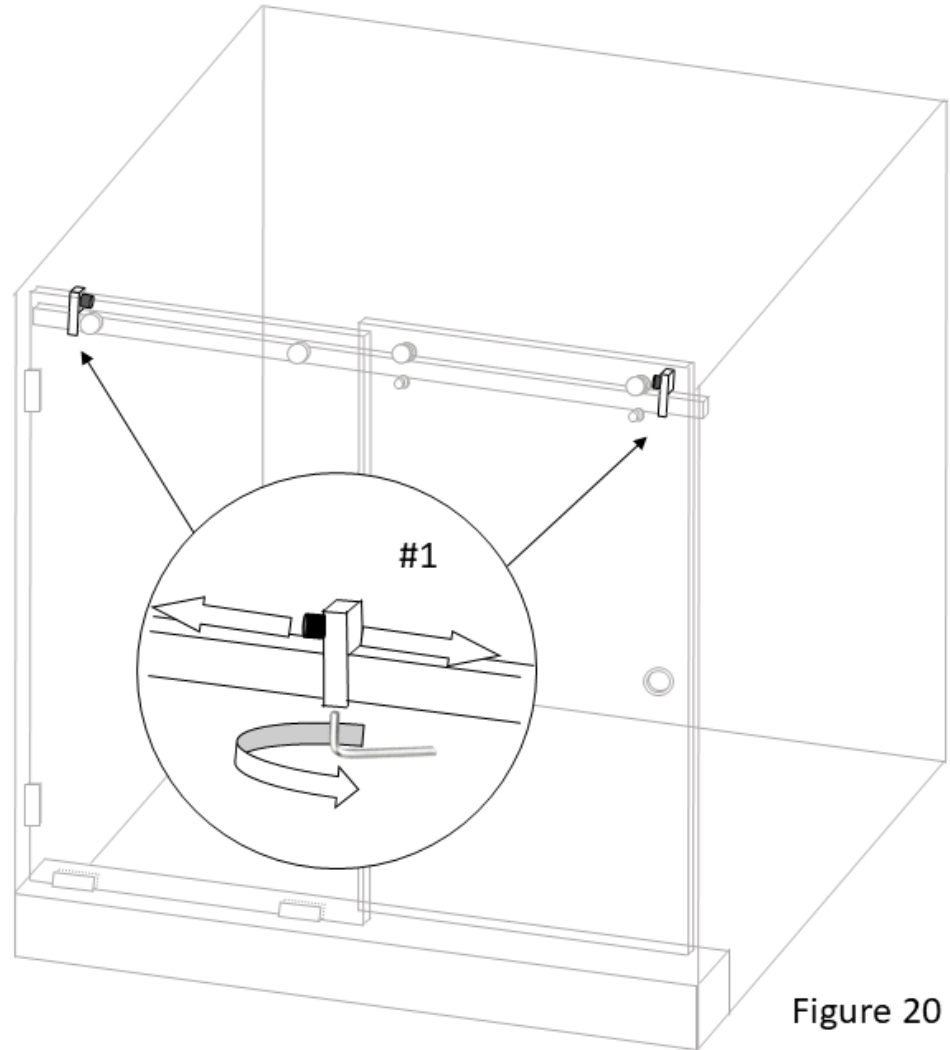


Figure 20

**Attach sealing strips type F**  
Attach sealing strip on the Fixed  
Panel as shown in Figure 21 #1

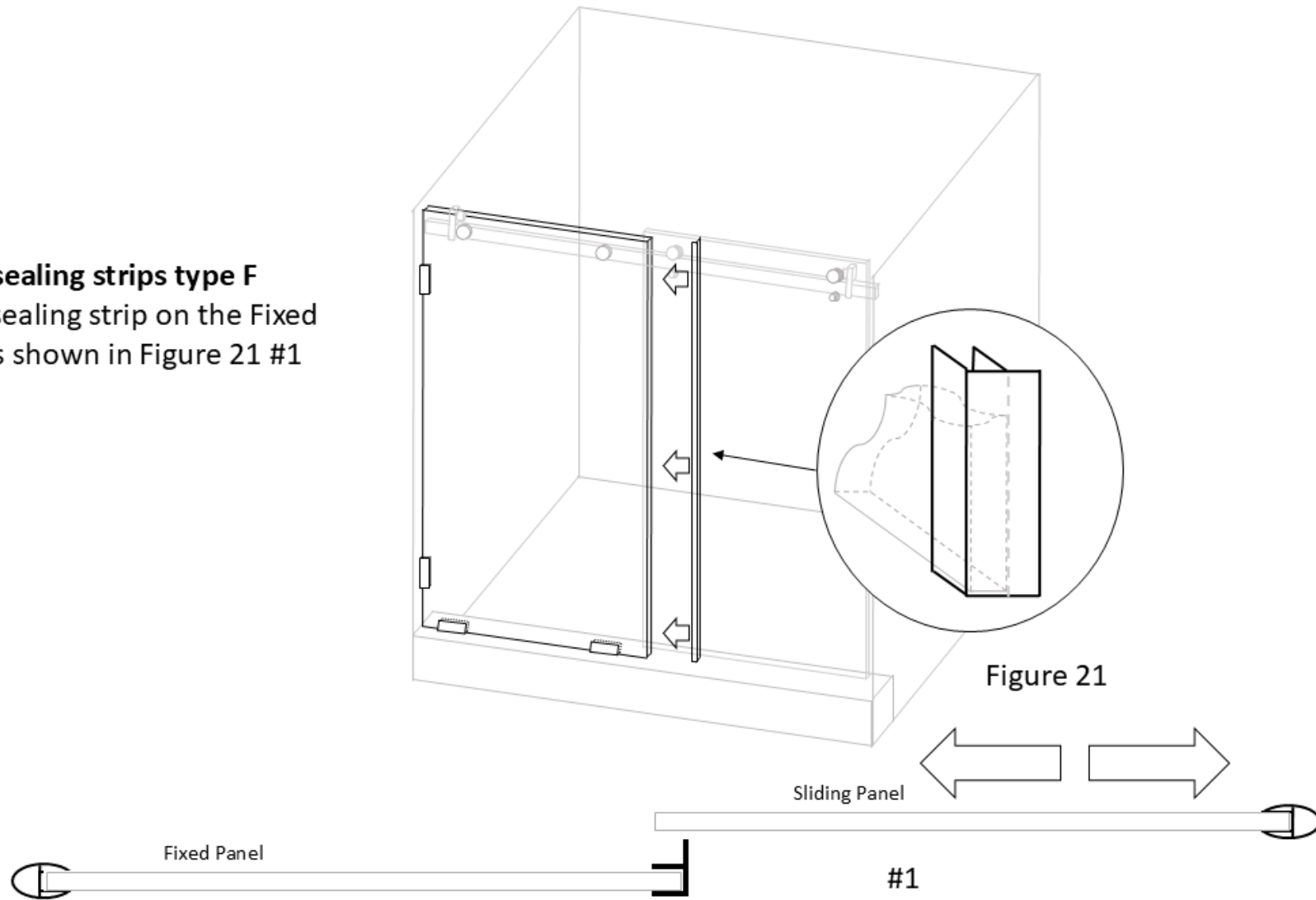


Figure 21