

Features

- 36" minimum base cabinet width.
- Large/medium bowls.
- 9" (229 mm) depth provides generous workspace.
- Slim divide offers a sophisticated look and maximizes basin space.
- Includes installation hardware, bottom sink rack for larger basin, and bamboo cutting board.

Material

- Handcrafted from 16-gauge stainless steel.
- Premium 16-gauge stainless steel.

Installation

- Undermount.

Recommended Products/Accessories

- K-3143 Sink Rack
- K-8801 Sink drain and strainer with tailpiece
- K-8799 Sink drain and strainer basket
- K-23726 Drain treatment
- K-23729 Stainless steel cleaner

Optional Products/Accessories

- K-6133 Wine Glass Rack
- K-11352 Disposal Flange with Stopper

Included Components

Product consists of:

- K-3140 Cutting Board
- K-3143 Sink Rack
- 91915 Hardware Kit

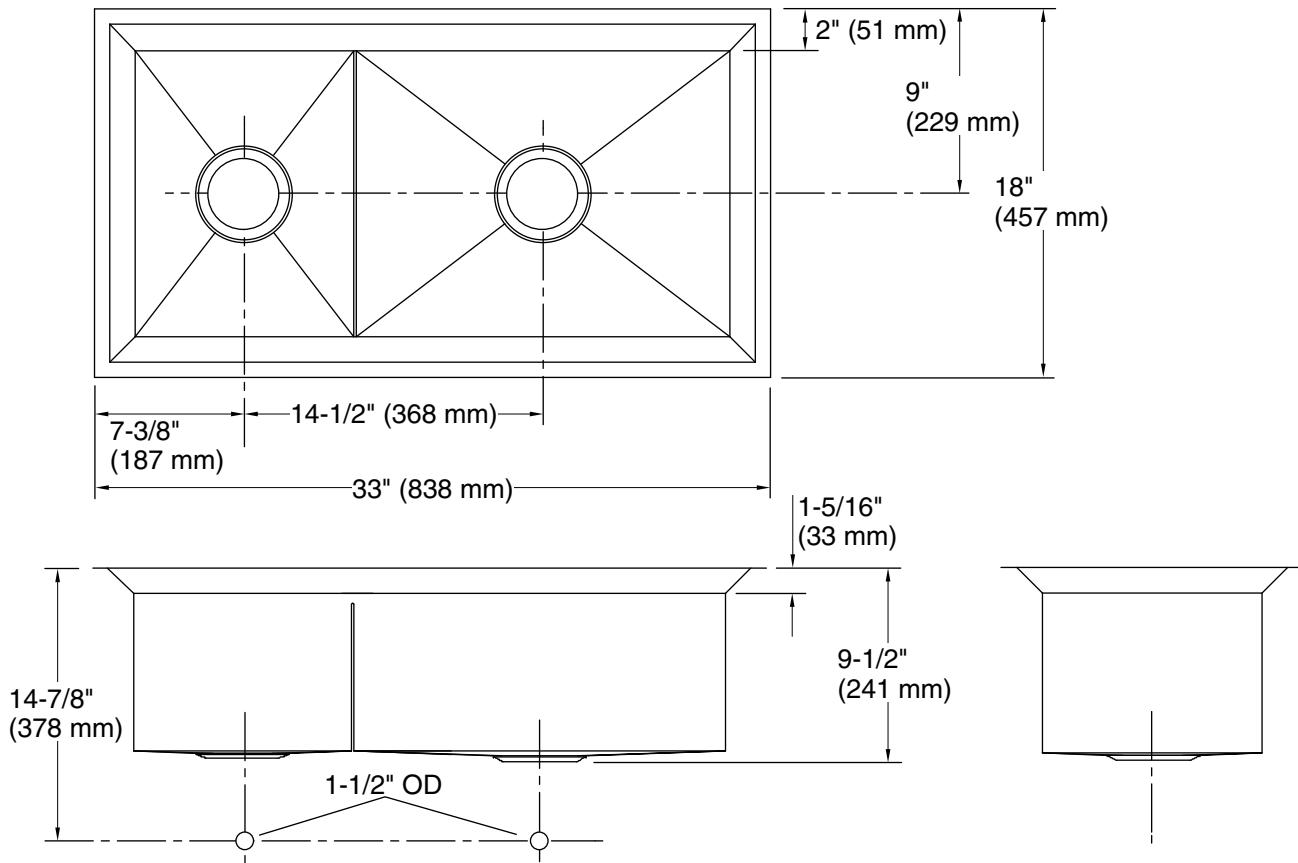


Codes/Standards

ASME A112.19.3/CSA B45.4

Lifetime Limited Warranty for KOHLER® Stainless Steel Sinks

See website for detailed warranty information.



Technical Information

All product dimensions are nominal.

Bowl configuration: Off-set Large/small

Installation: Under-mount

Min. base cabinet width: 36" (914 mm)

Bowl area (Left): Length: 10-11/16" (271 mm)
Width: 14" (356 mm)
Bowl depth: 9-1/8" (232 mm)

Bowl area (Right): Length: 18-3/16" (462 mm)
Width: 14" (356 mm)
Bowl depth: 9-1/8" (232 mm)

Drain hole: 3-5/8" (92 mm)

Template: 1021992-7, required, included

Notes

Install this product according to the installation instructions.

Allow a minimum of 2" (51 mm) clearance around the sink rim for clip attachment.