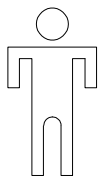


ASSEMBLY INSTRUCTIONS

LDSFDZ-WH



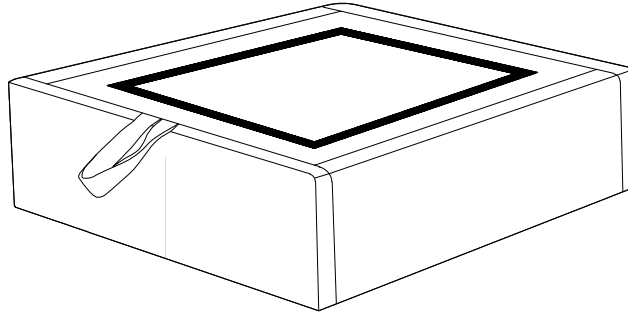
Please scan this QR code and contact us if you have any questions! If your Climbing Frame has damages, missing parts, problems with installation and use, or you are not 100% satisfied with our products, please scan the QR code and contact us!

Email: vimitty-service@outlook.com

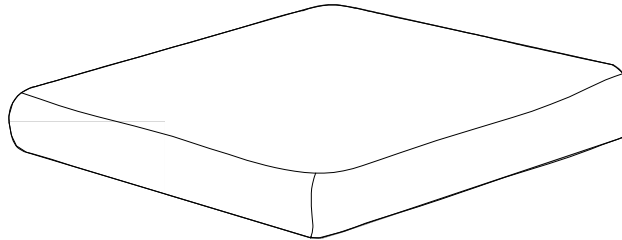
SUPPORT: +18882062161

Hardware List

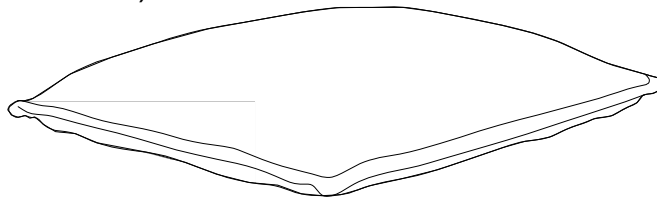
1 Seat



2 Seat



3 Seat Cushion (It is located in the seat)



A



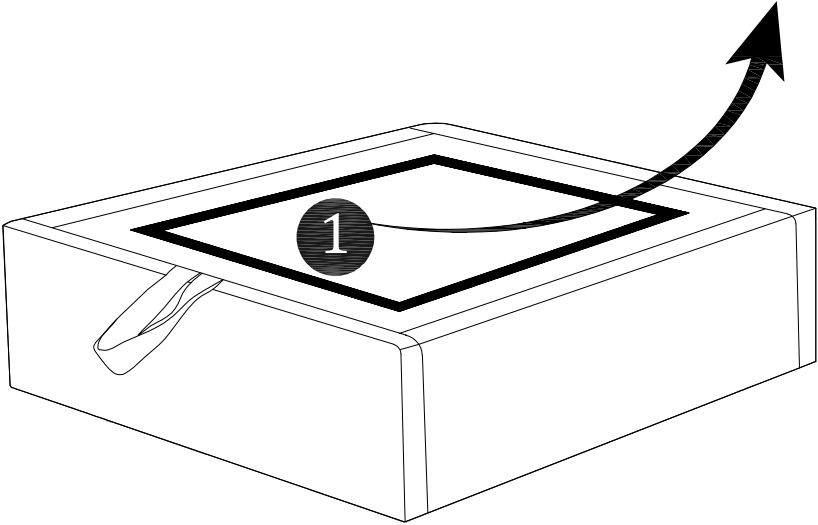
50*50mm

4

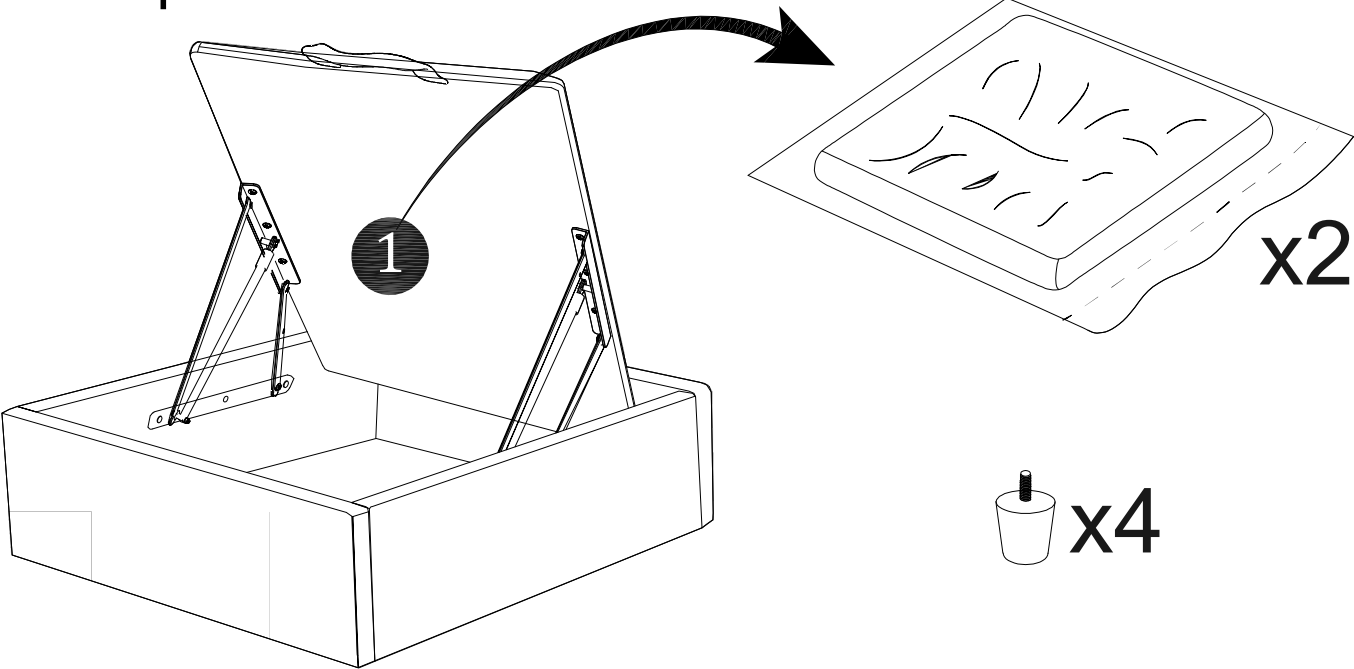
Email: vimity-service@outlook.com

SUPPORT: +18882062161

Step 1



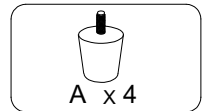
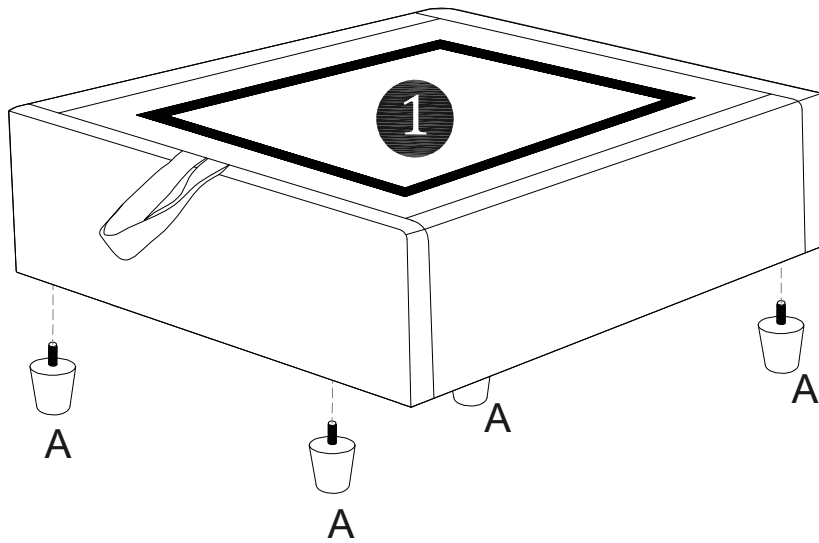
Step 2



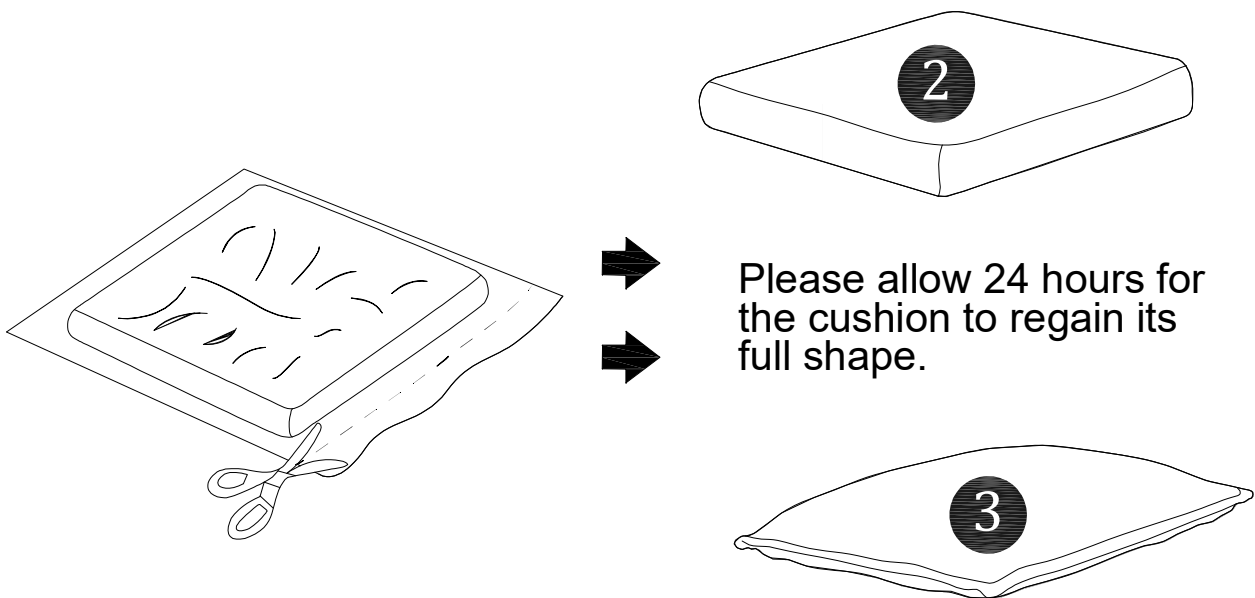
Email: vimity-service@outlook.com

SUPPORT: +18882062161

Step 3



Step 4

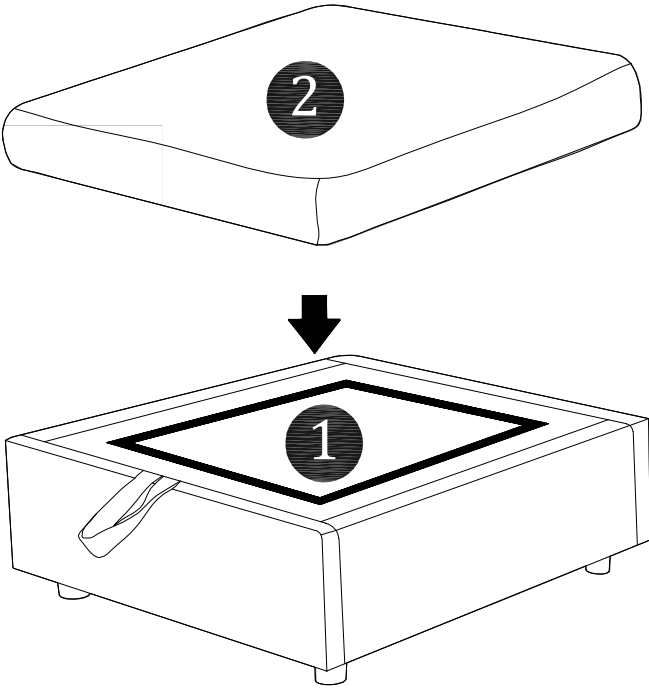


Please allow 24 hours for the cushion to regain its full shape.

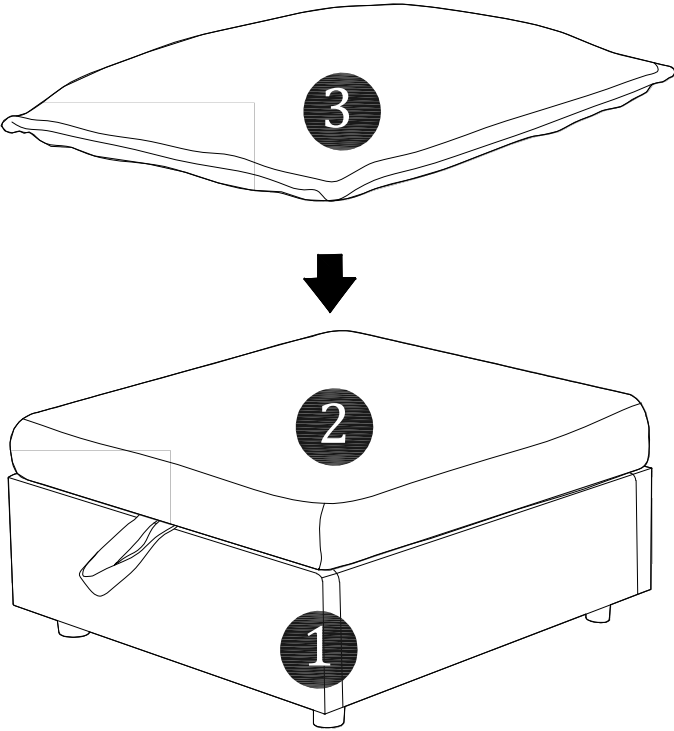
Email: vimity-service@outlook.com

SUPPORT: +18882062161

Step 5



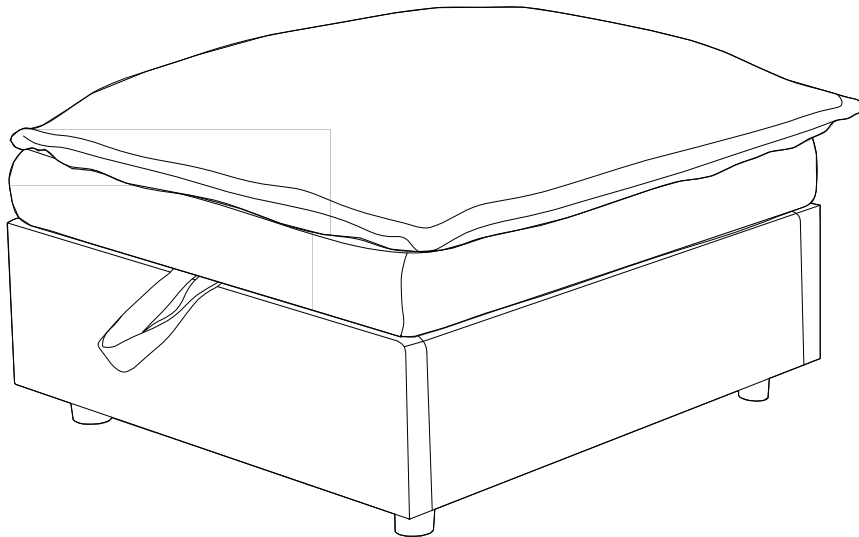
Step 6



Email: vimity-service@outlook.com

SUPPORT: +18882062161

Step 7



Email: vimity-service@outlook.com

SUPPORT: +18882062161