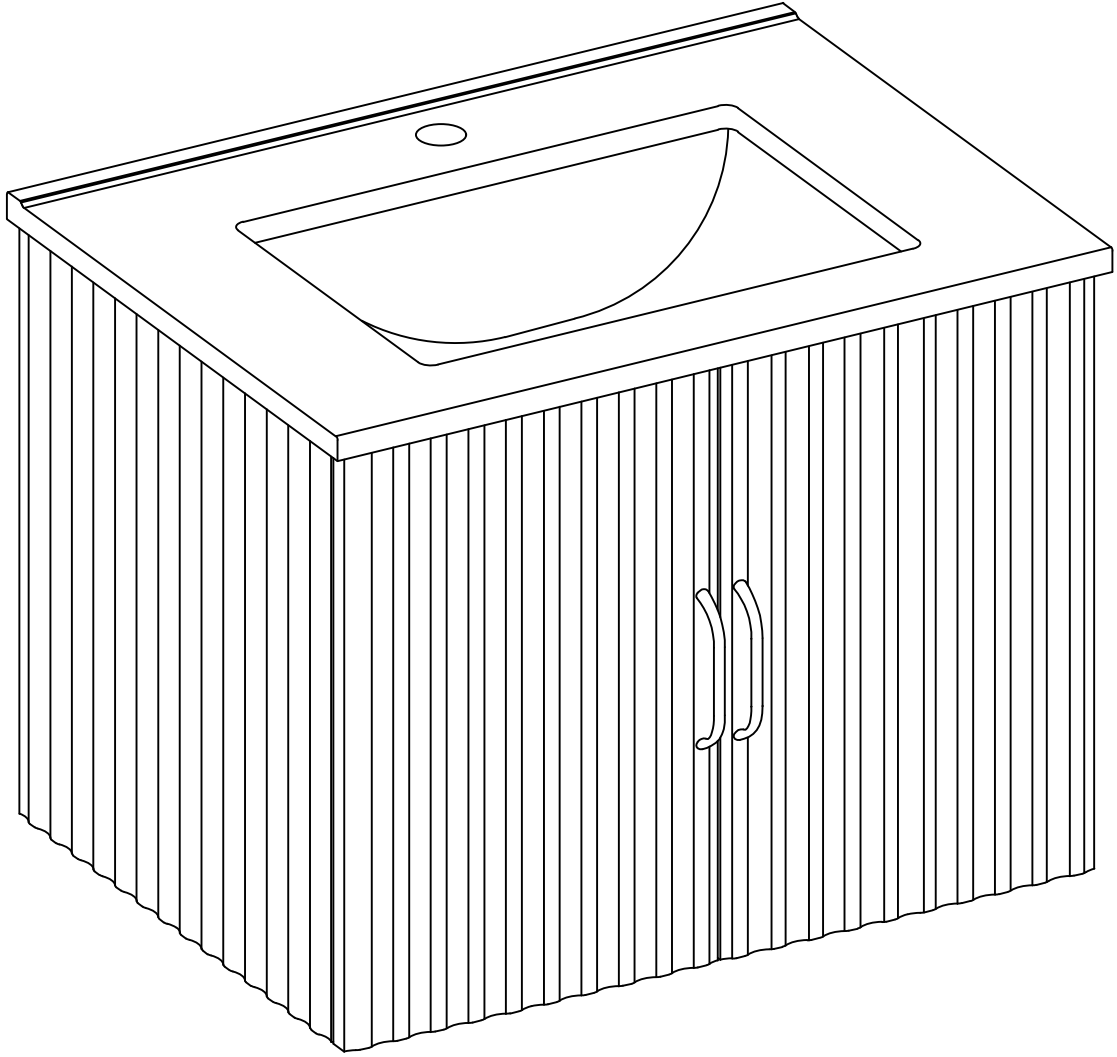
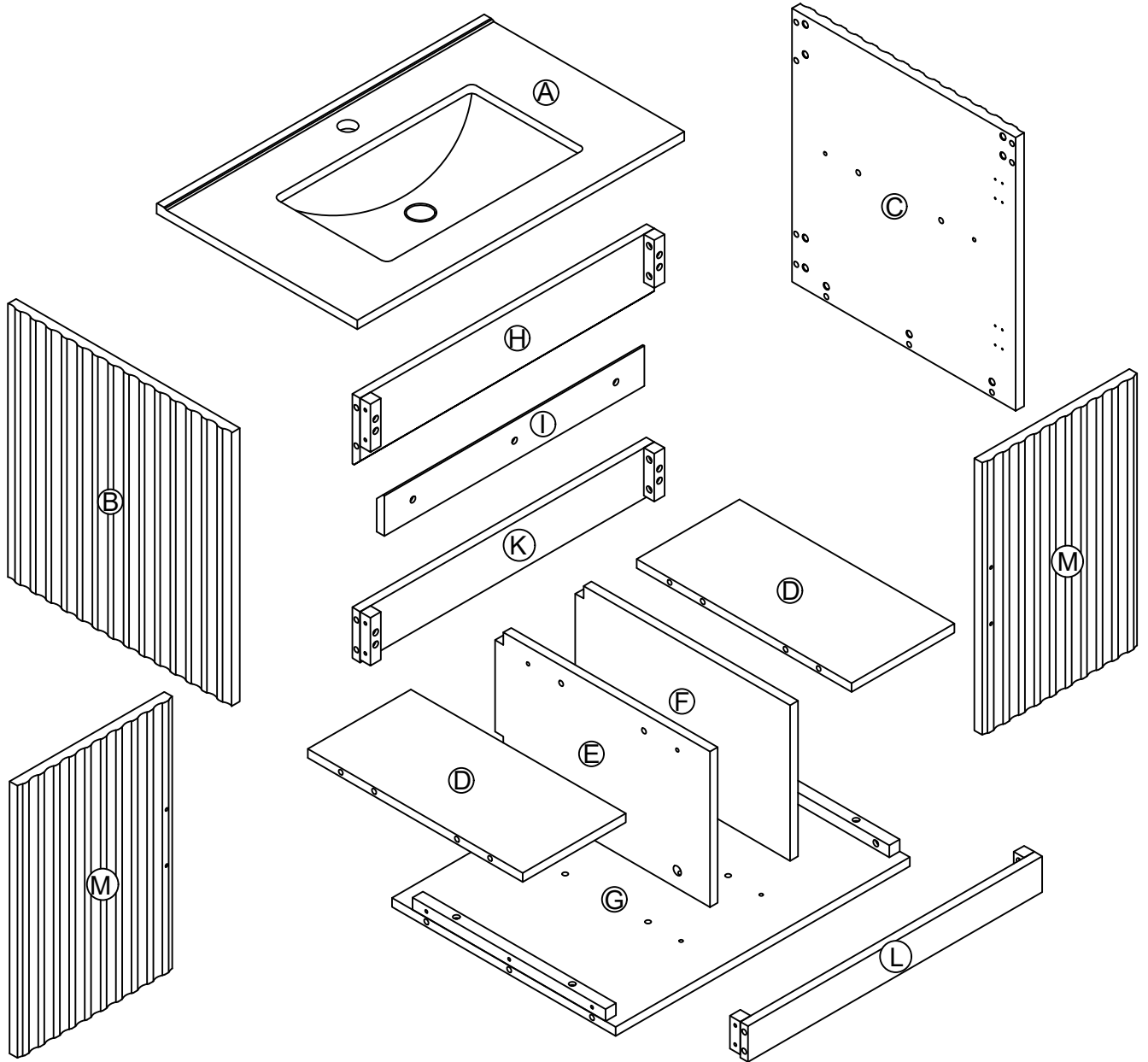


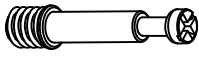

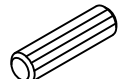
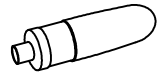




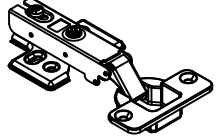
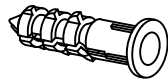
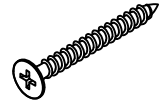
Singer Bathroom Vanity



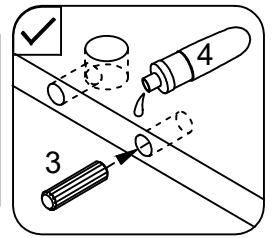
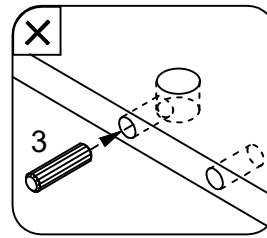
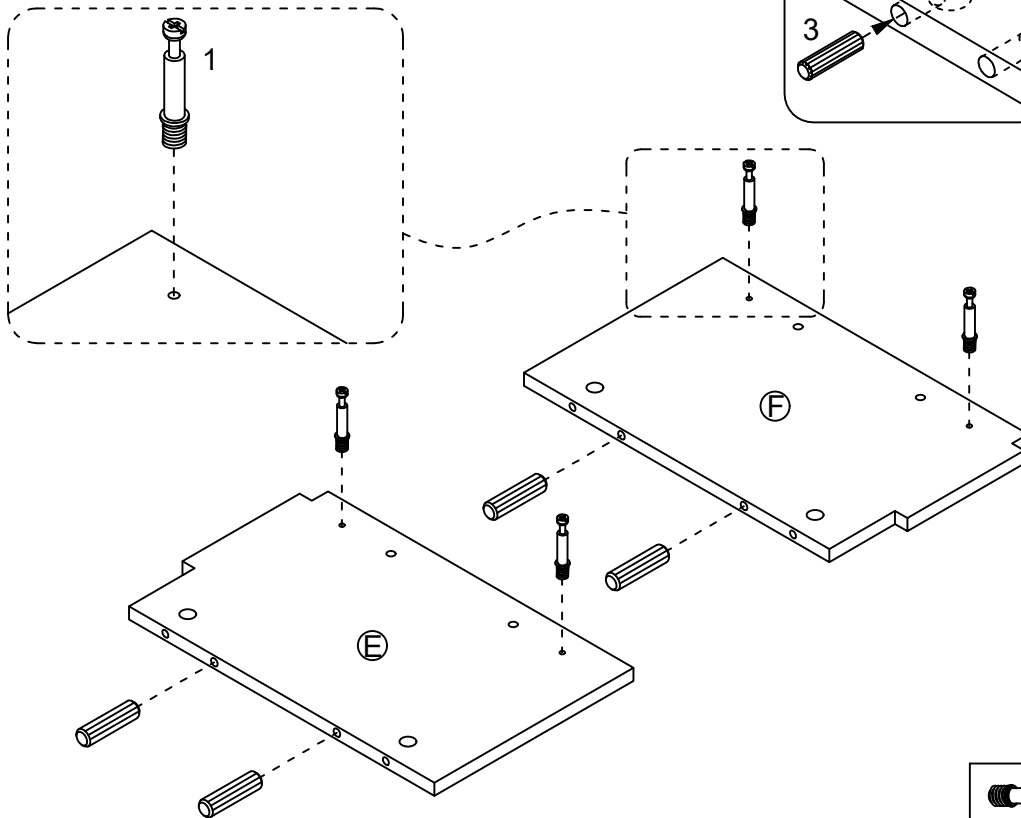
PACKAGE CONTENTS


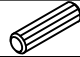



PART	DESCRIPTION	QTY	PART	DESCRIPTION	QTY
A	Sink	X1	G	Base	X1
B	Left Side Board	X1	H	Back Upper Rail	X1
C	Right Side Board	X1	I	Wall Bracket	X1
D	Side Shelf	X2	K	Back Lower Rail	X1
E	Left Middle Wall	X1	L	Front Upper Rail	X1
F	Right Middle Wall	X1	M	Door	X2

<p>1</p>  <p>Ø6*33mm 12PCS</p>	<p>2</p>  <p>Ø15*9mm 12PCS</p>	<p>3</p>  <p>Ø8*30mm 30PCS</p>	<p>4</p>  <p>1PCS</p>
<p>5</p>  <p>M6*25mm 18PCS</p>	<p>6</p>  <p>2PCS</p>	<p>7</p>  <p>5/32*18mm 4PCS</p>	<p>8</p>  <p>Ø3.5*12mm 24PCS</p>
<p>9</p>  <p>4PCS</p>	<p>10</p>  <p>3PCS</p>	<p>11</p>  <p>Ø4*45mm 3PCS</p>	

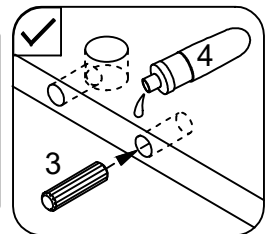
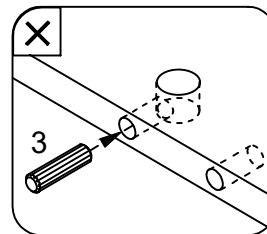
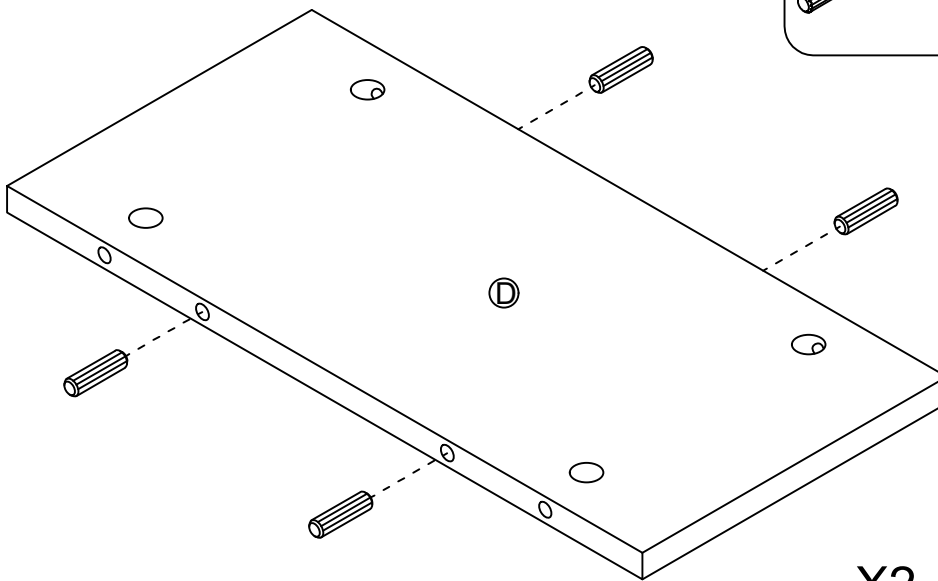
STEP1

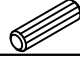



	1 x 4pcs
	3 x 4pcs
	4 x 1pcs

Glue the wood dowels 3 into the inner holes on the front upper rail E and F .
 NOTE: It is very important to use a small amount of glue 4 on ends of dowels and wipe away excess glue immediately.

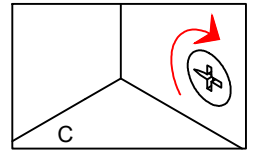
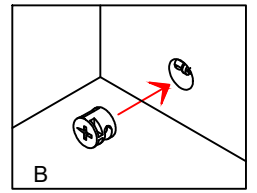
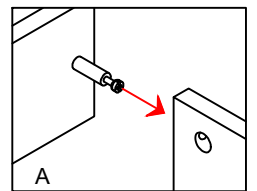
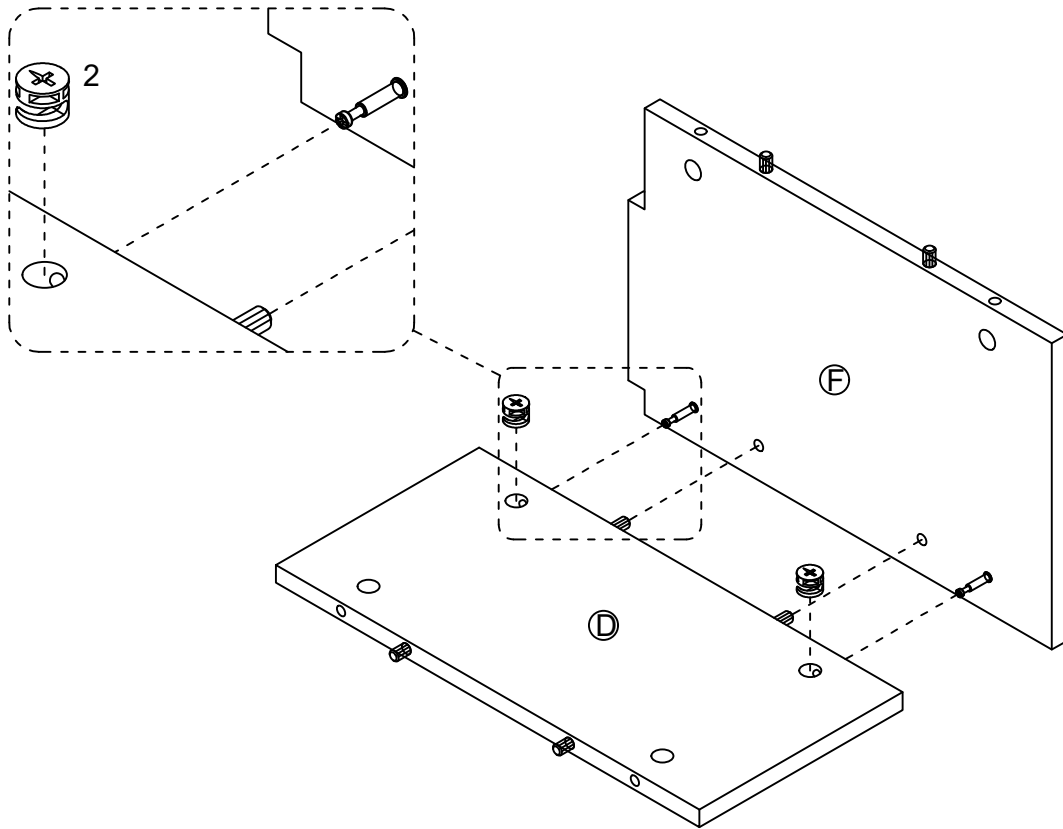
STEP2




	3 x 8pcs
	4 x 1pcs

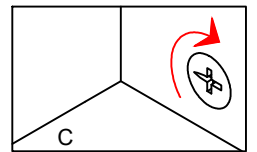
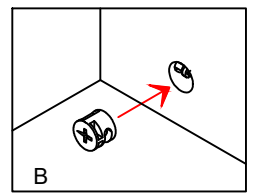
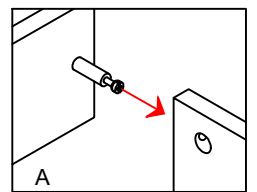
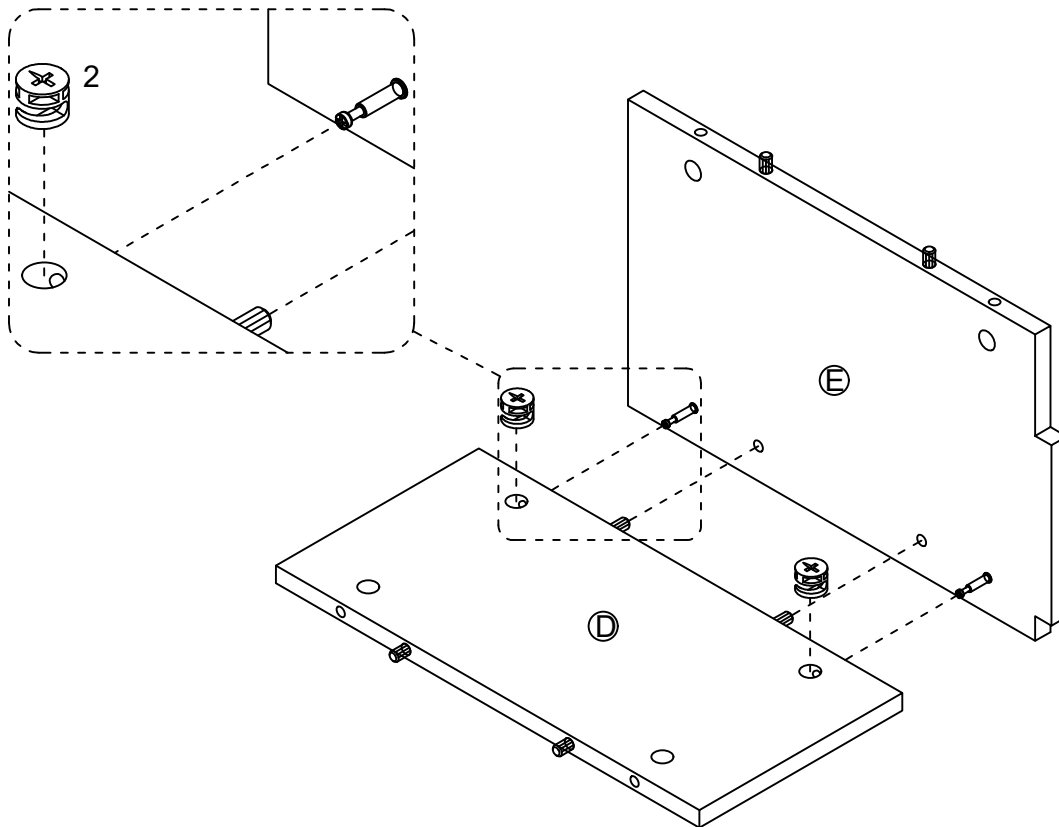
Glue the wood dowels 3 into the inner holes on the side panels D.
 NOTE: It is very important to use a small amount of glue 4 on ends of dowels and wipe away excess glue immediately.

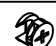
STEP3



 2 x 2pcs

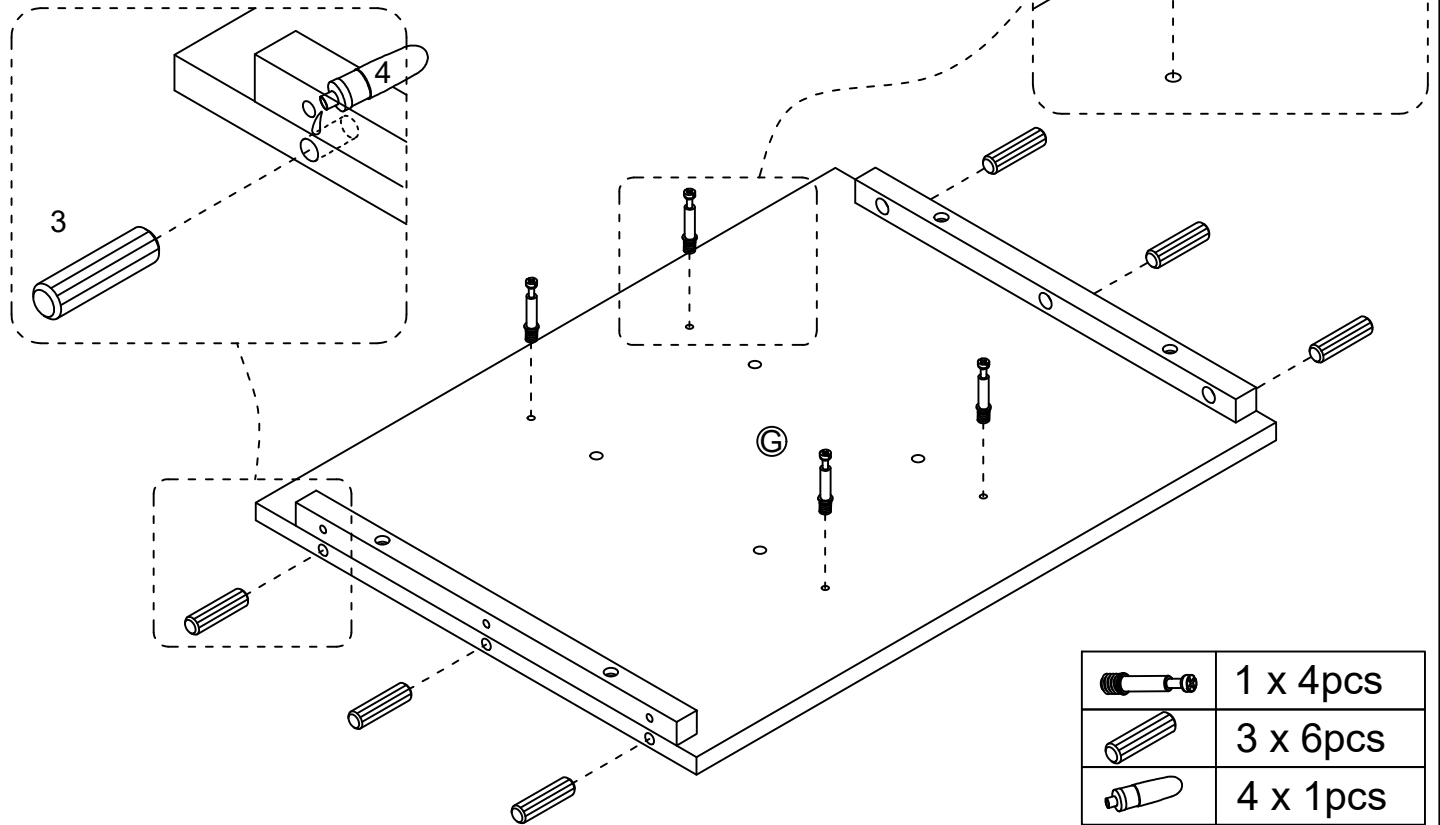
STEP4

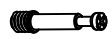




 2 x 2pcs

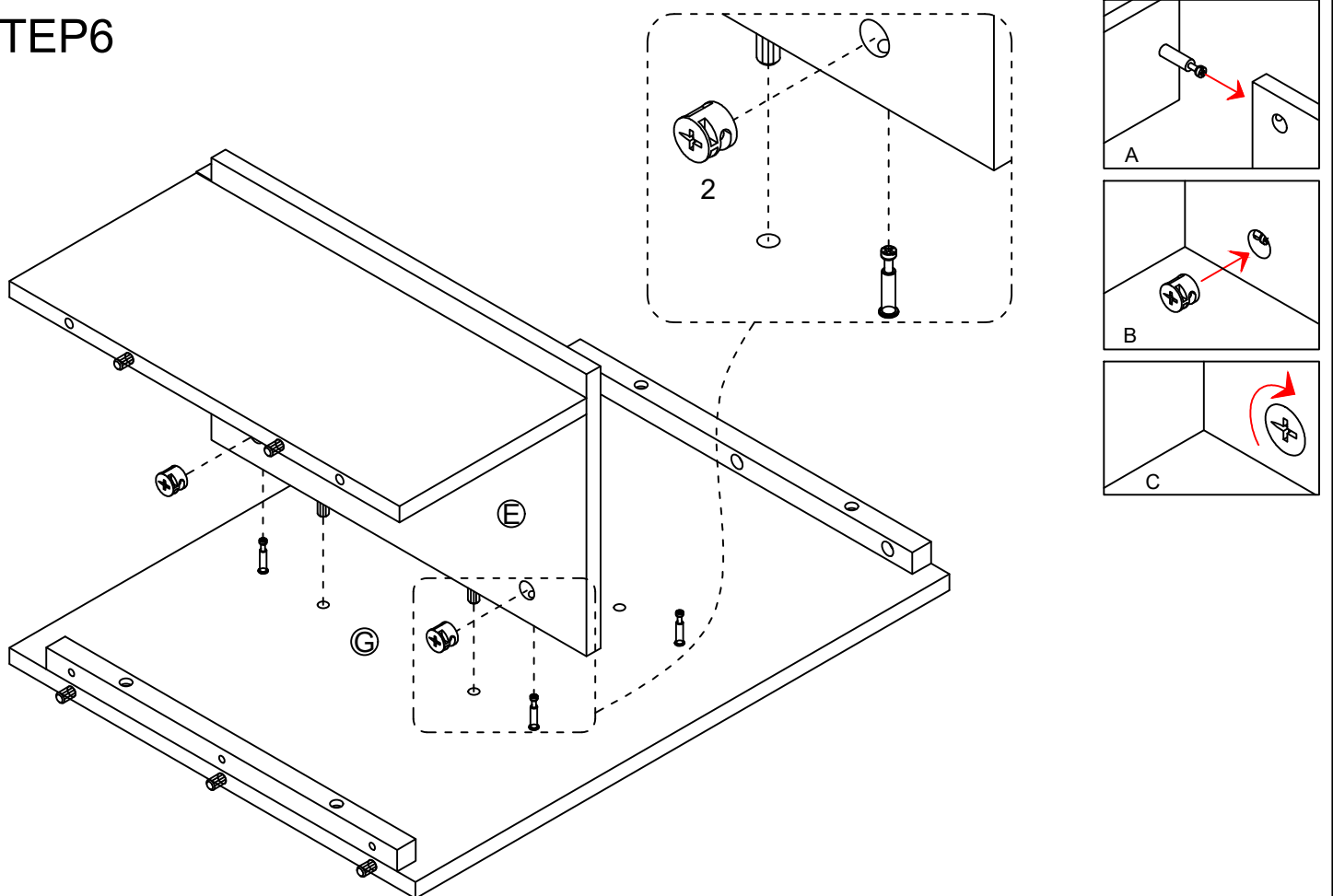
STEP5


Glue the wood dowels 3 into the inner holes on the side panels G.
 NOTE: It is very important to use a small amount of glue 4 on ends of dowels and wipe away excess glue immediately.



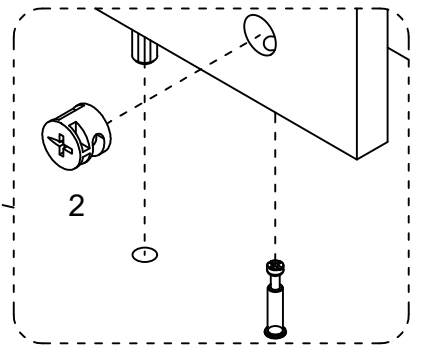
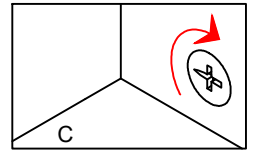
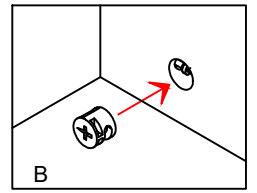
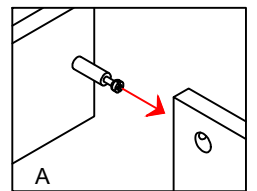
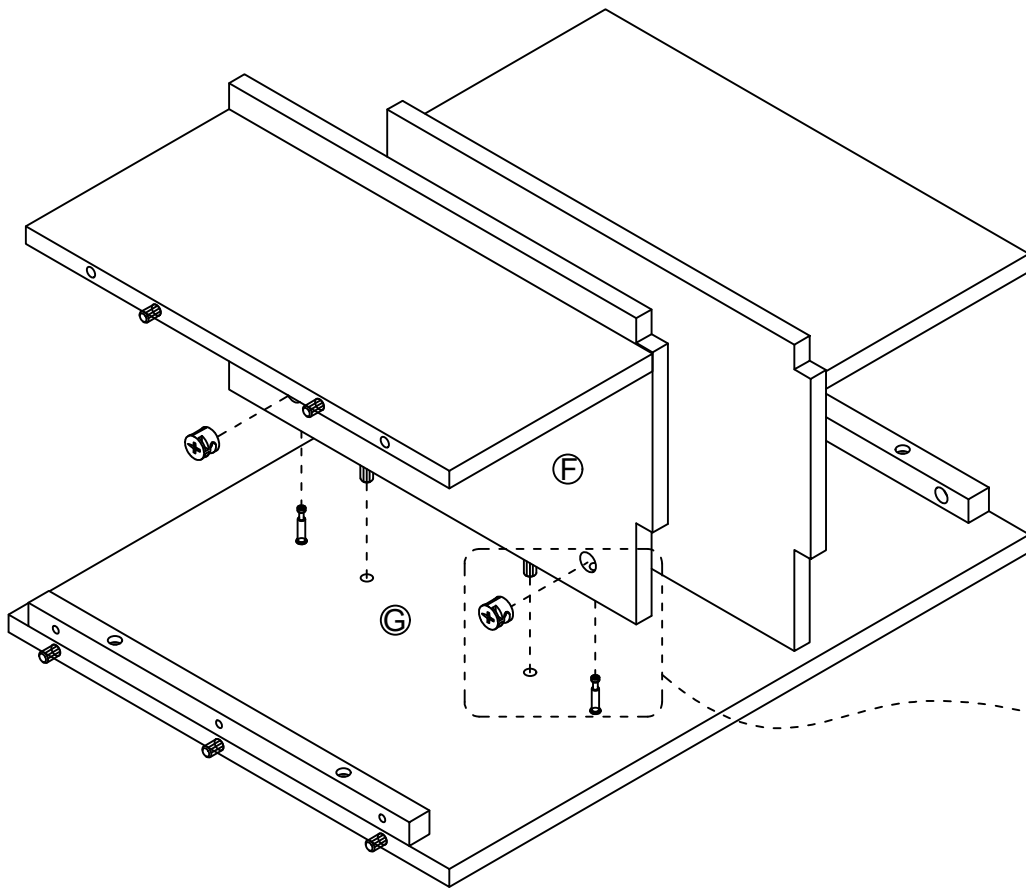
	1 x 4pcs
	3 x 6pcs
	4 x 1pcs


STEP6



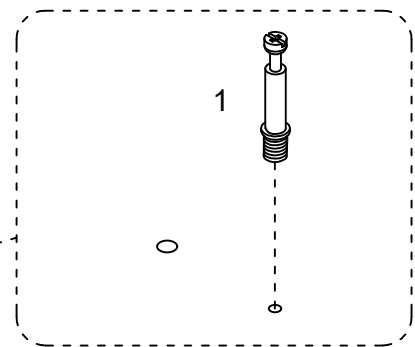
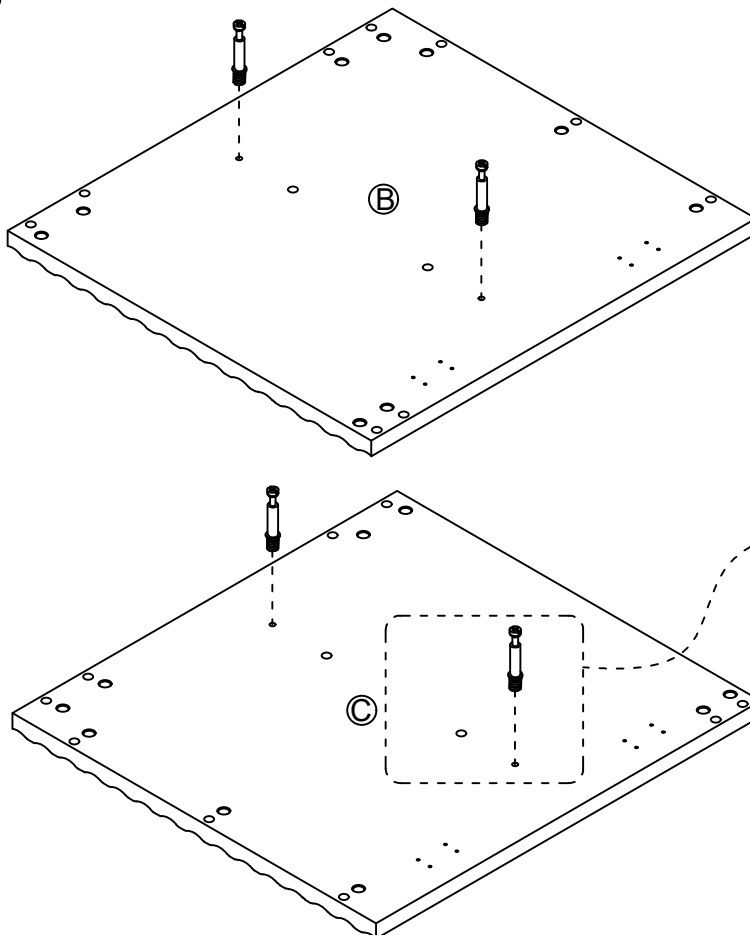
	2 x 2pcs
---	----------

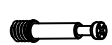
STEP 7



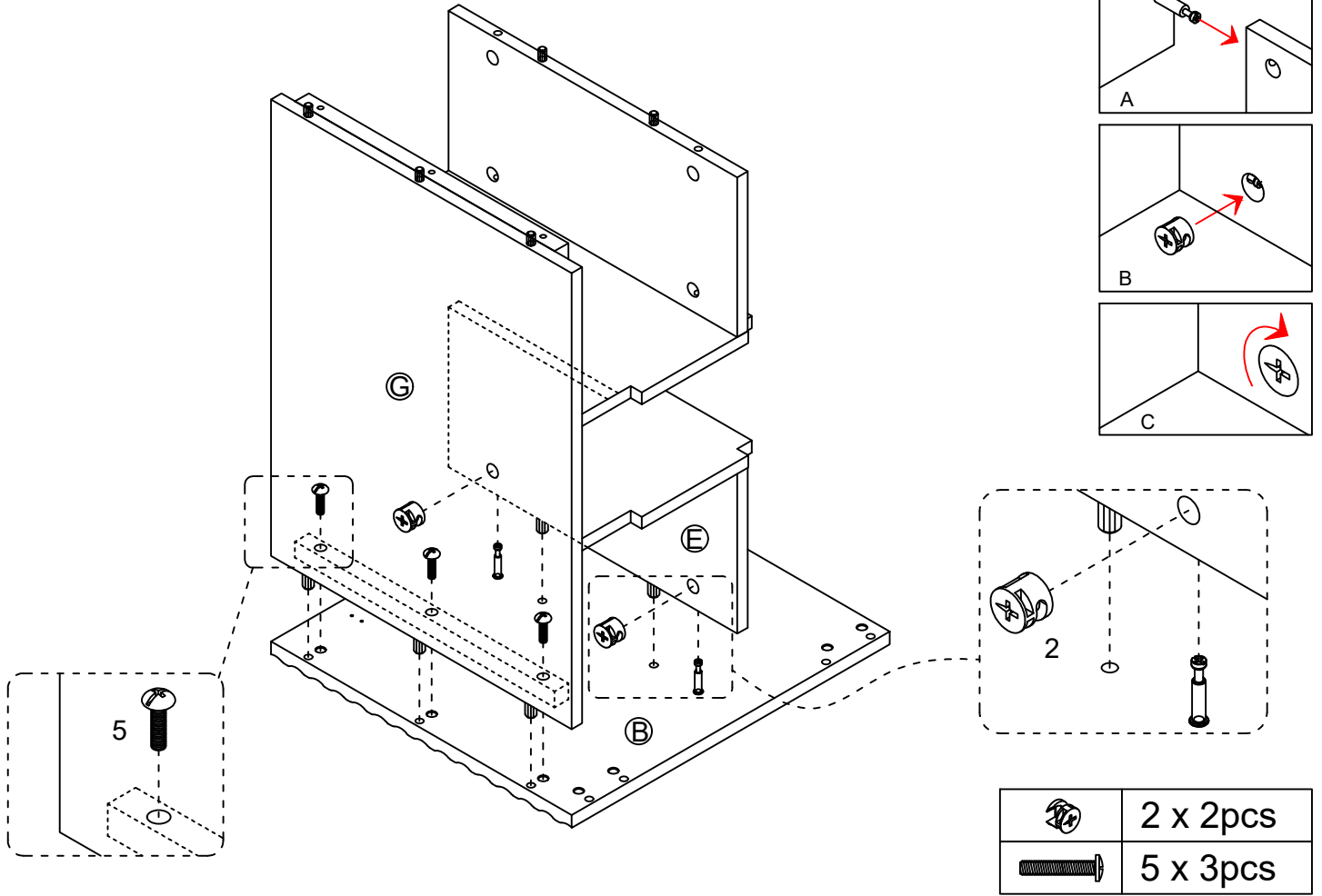
 2 x 2pcs

STEP 8

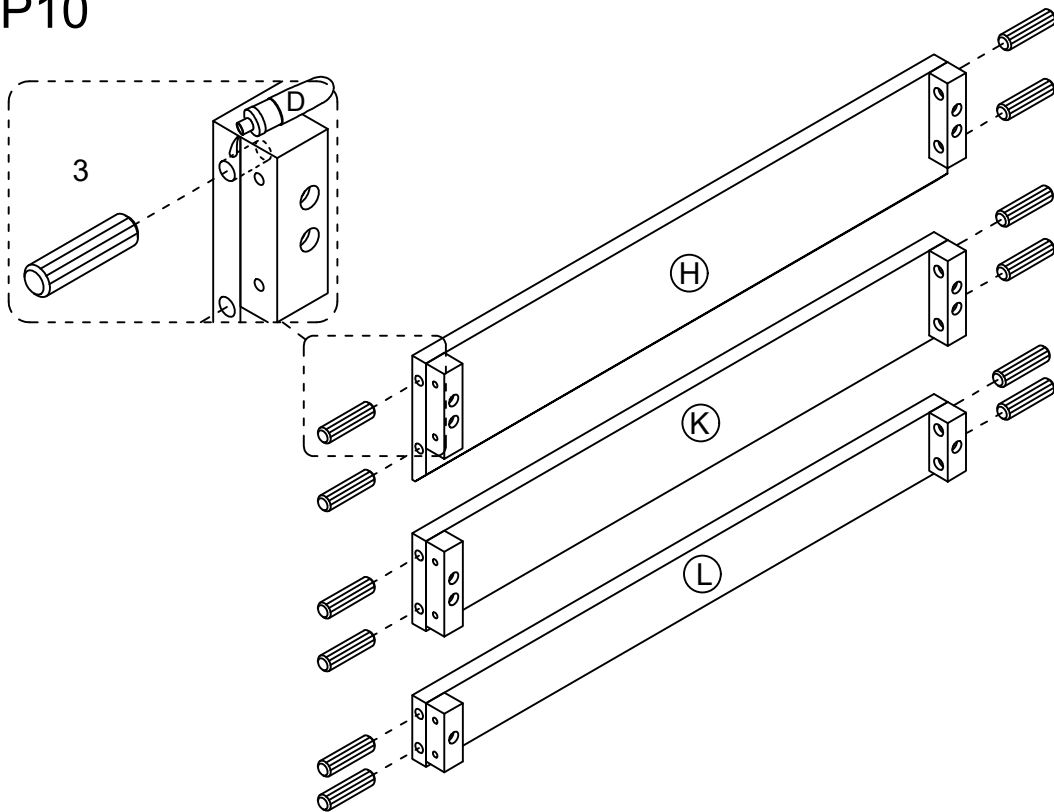


 1 x 4pcs



STEP9



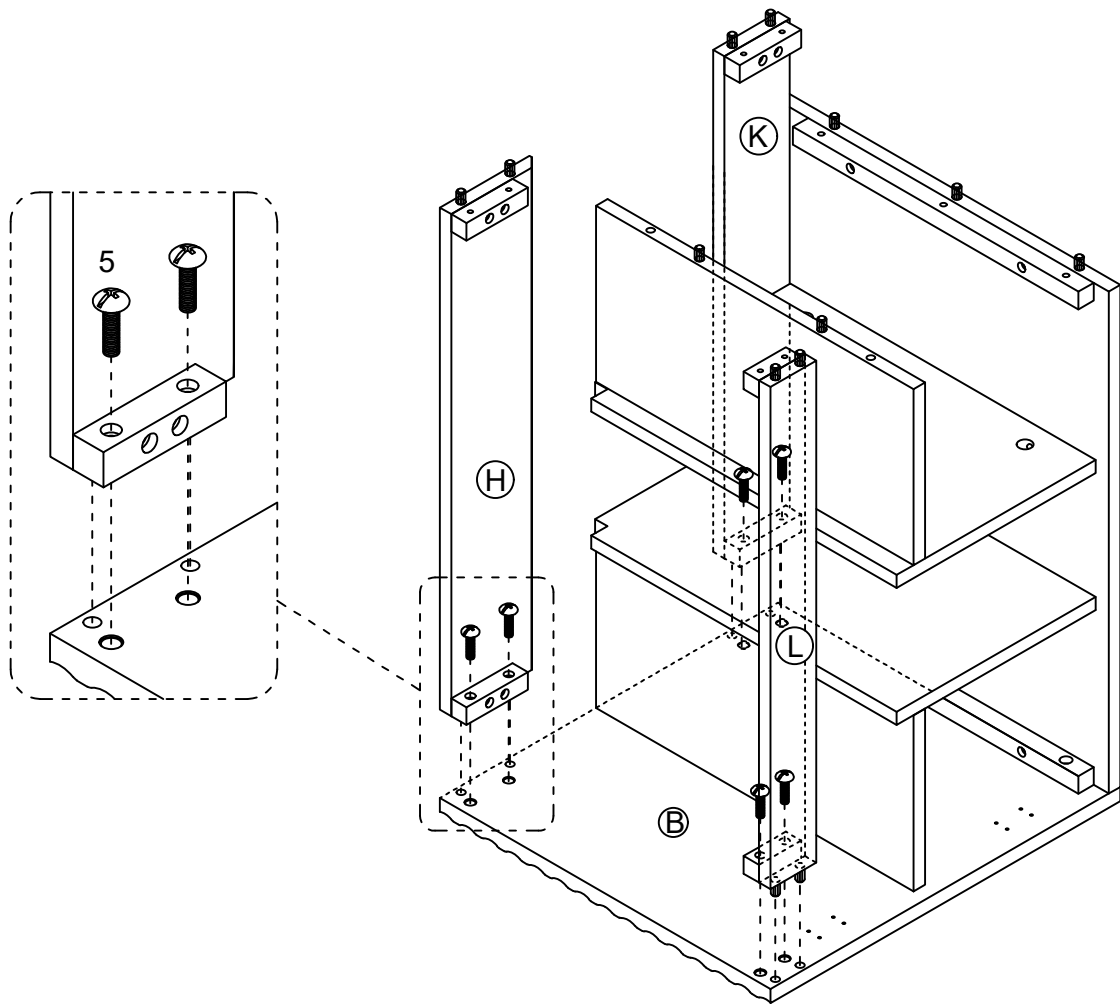
STEP10



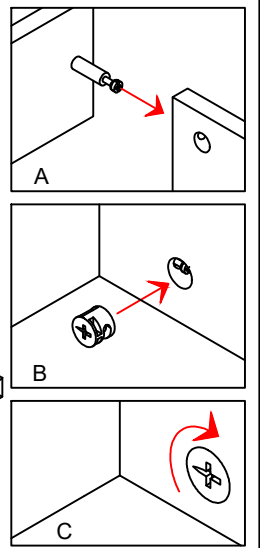
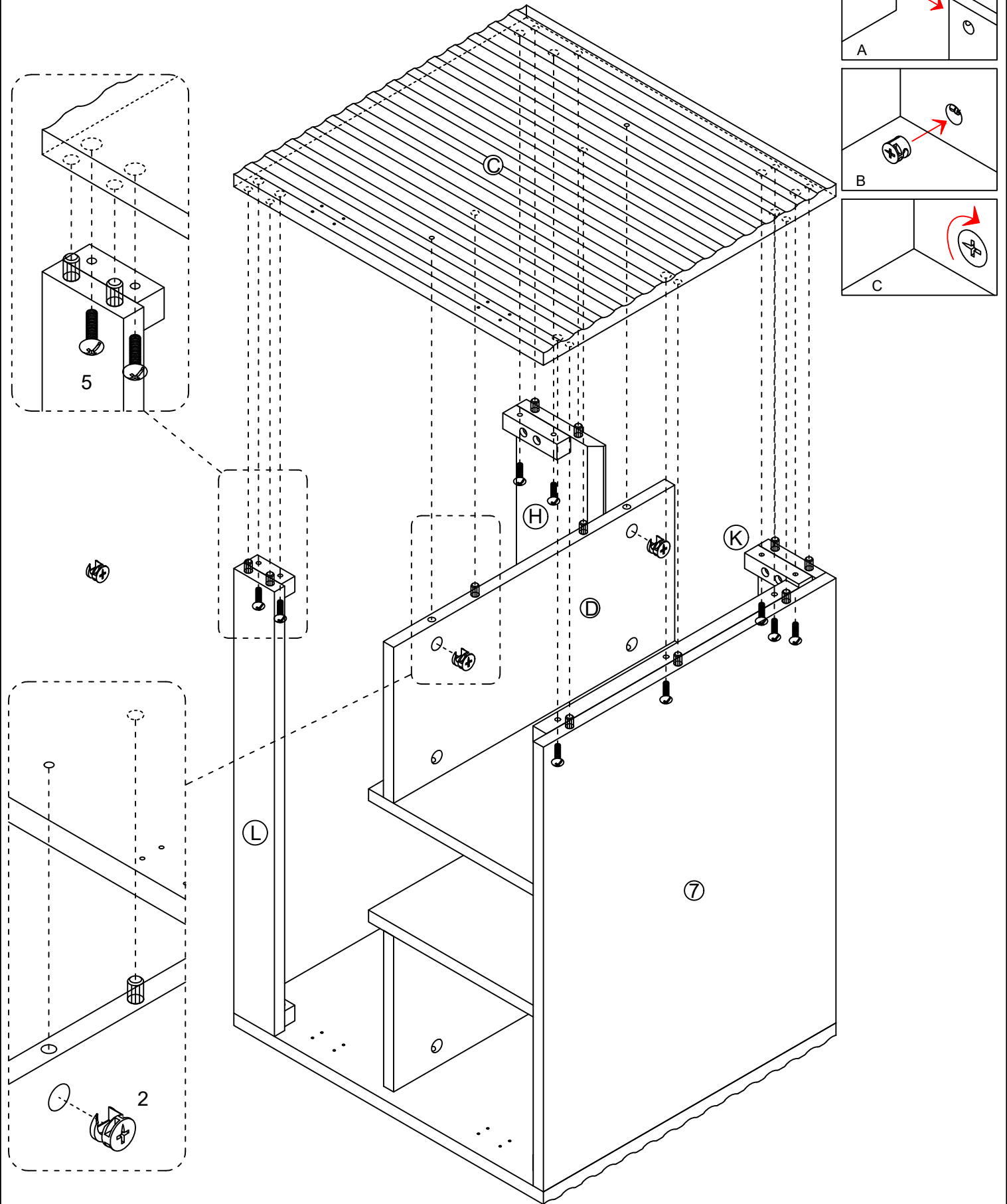
Glue the wood dowels 3 into the inner holes on the front upper rail H ,K and L .
 NOTE: It is very important to use a small amount of glue 4 on ends of dowels and wipe away excess glue immediately.



	3 x 12pcs
	4 x 1pcs

STEP11

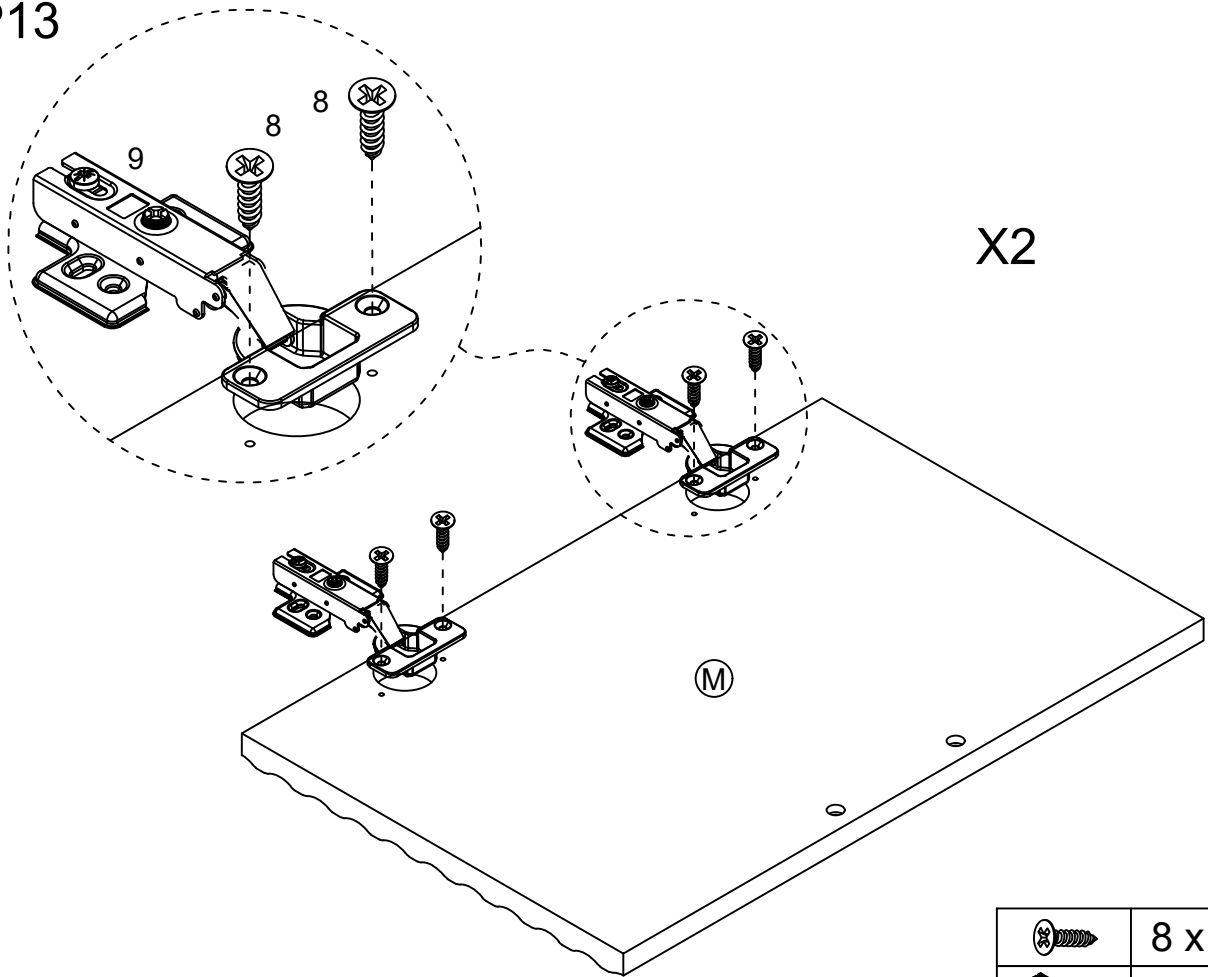


STEP 12





	2 x 2 pcs
	5 x 9 pcs

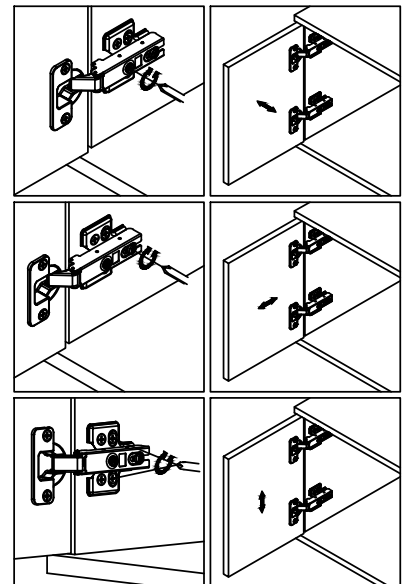
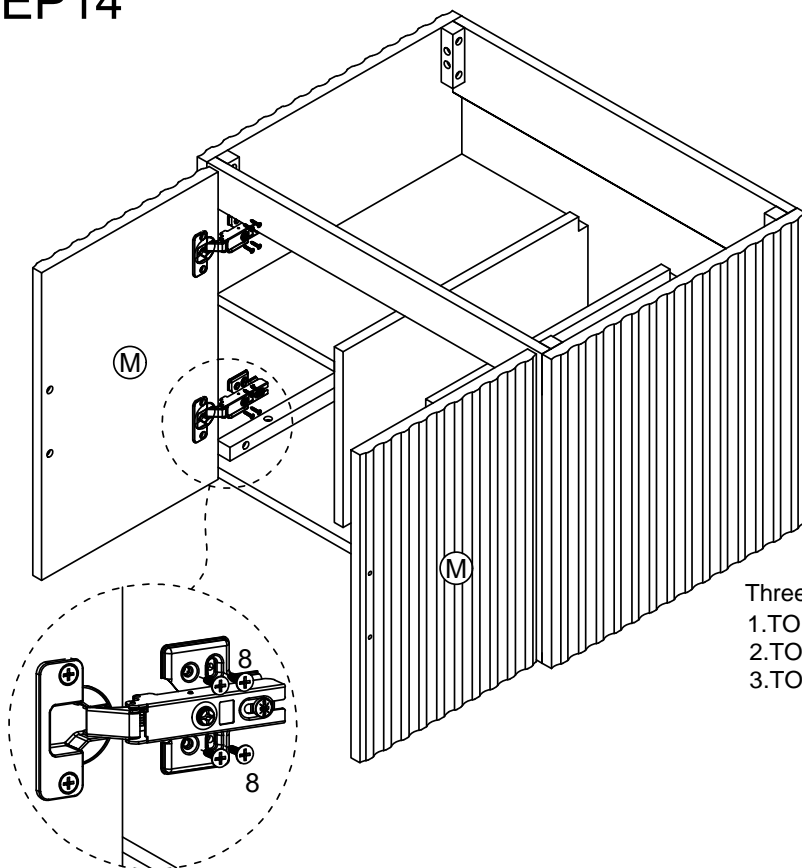
STEP13



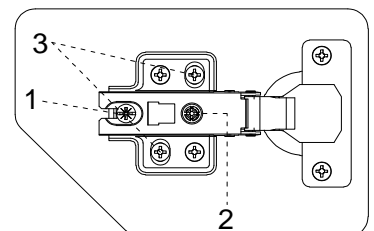
X2


	8 x 8pcs
	9 x 4pcs

STEP14

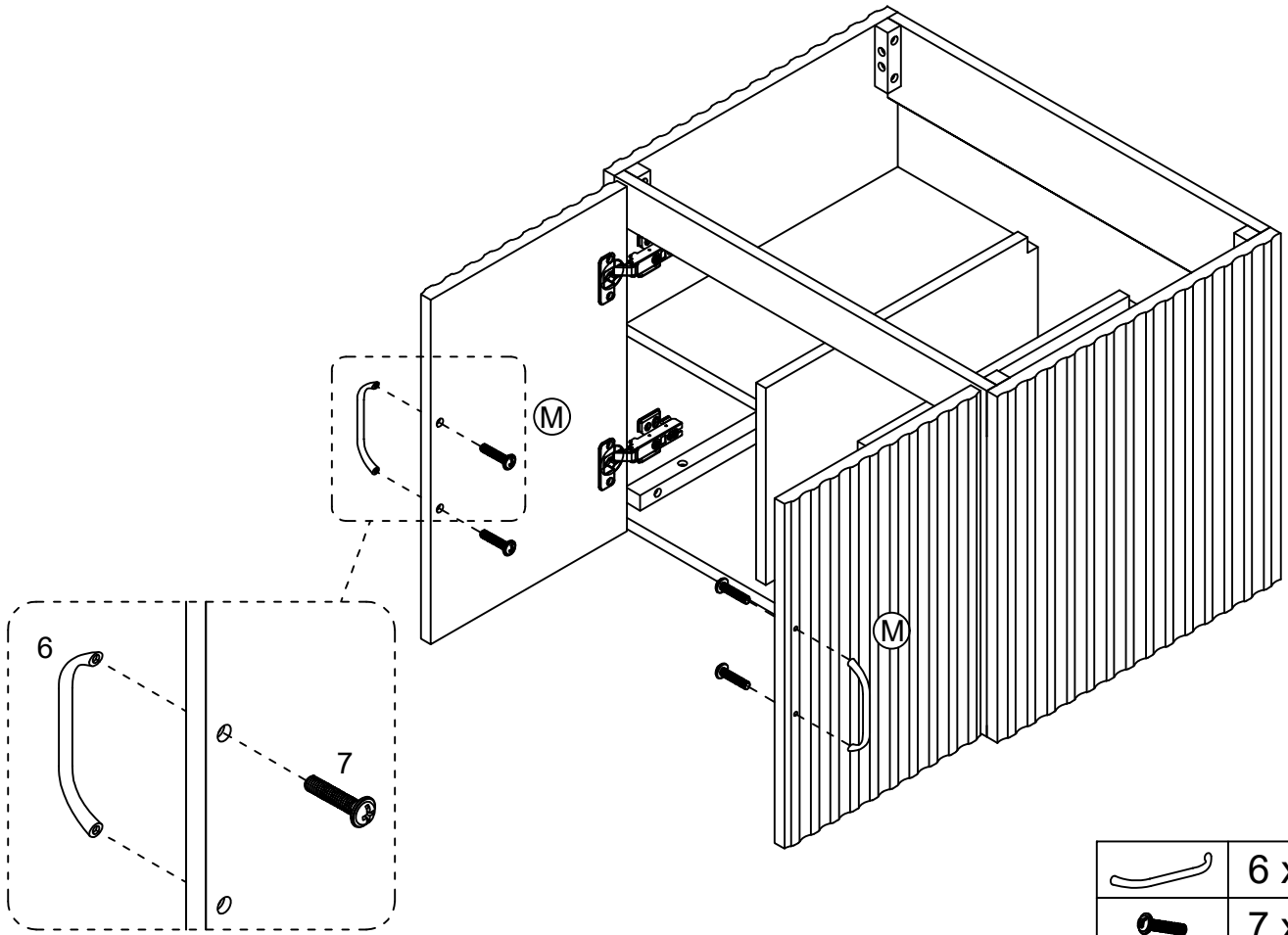


Three-way adjustable hinge for perfectly aligned doors
 1. TO ADJUST DOOR FORWARD OR BACKWARD.
 2. TO ADJUST DOOR TO RIGHT OR TO LEFT.
 3. TO ADJUST DOOR UP OR DOWN.



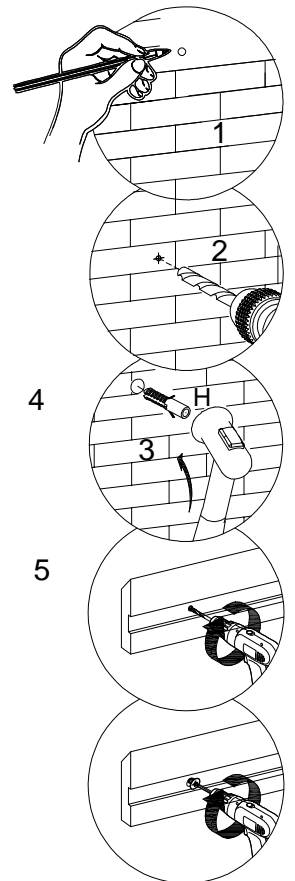
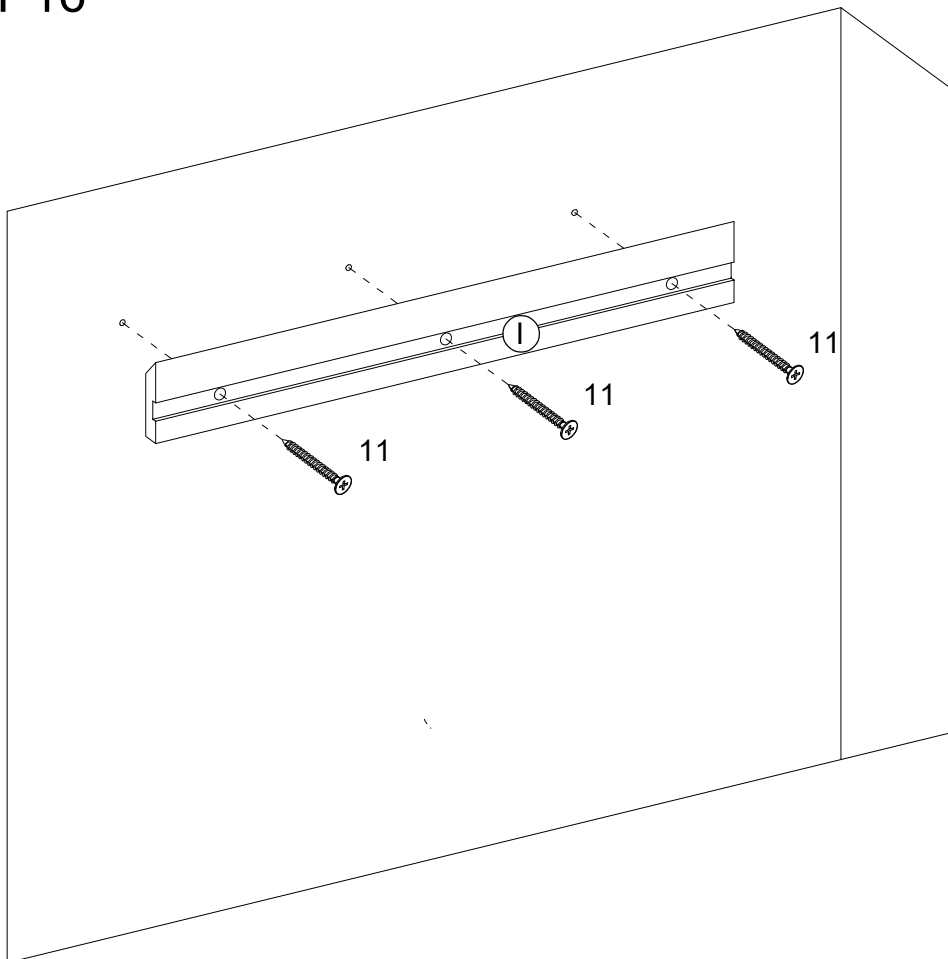
	8 x 16pcs
---	-----------

STEP15



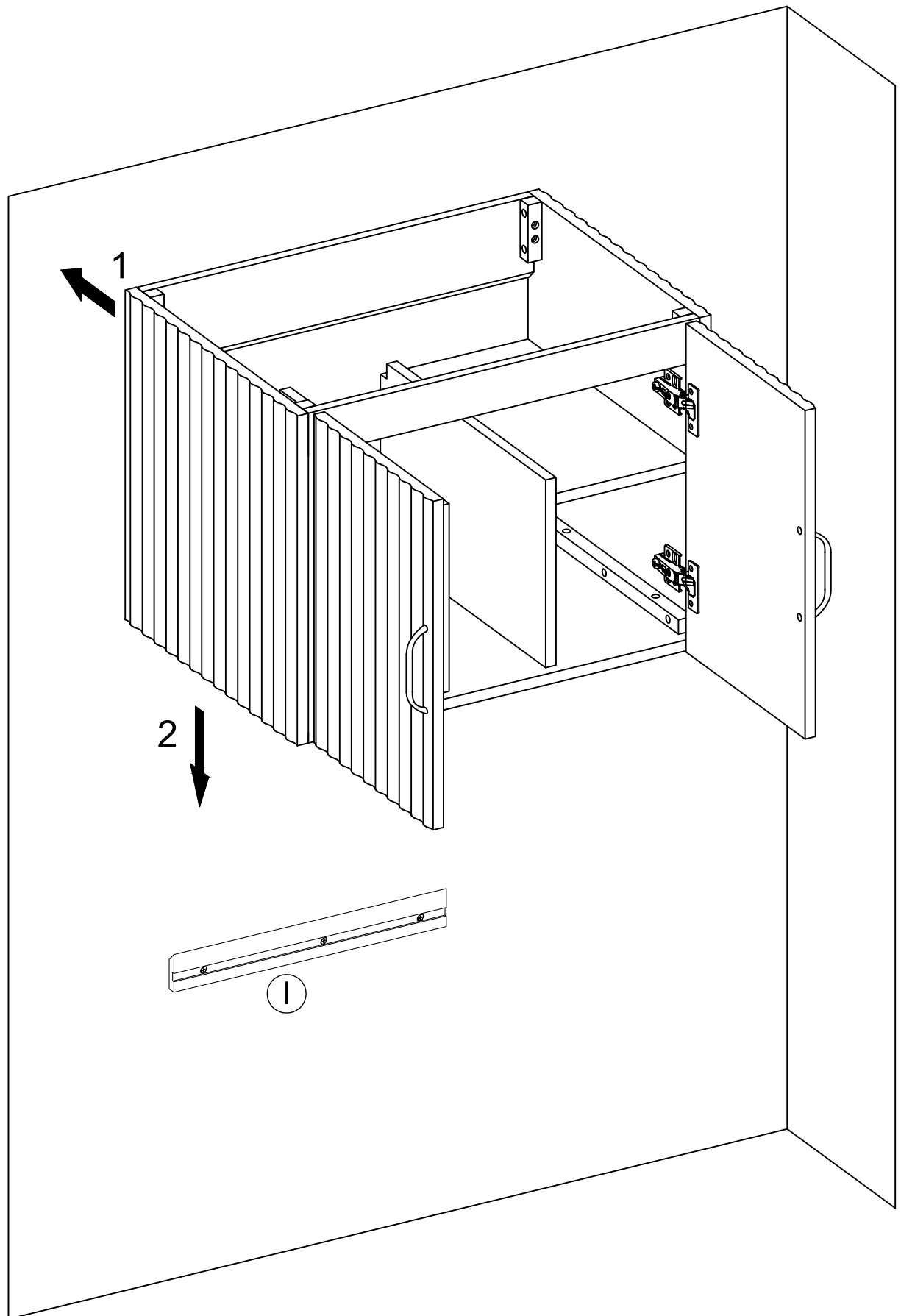
	6 x 2pcs
	7 x 4pcs

STEP16

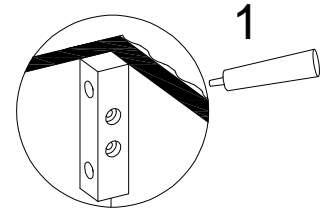
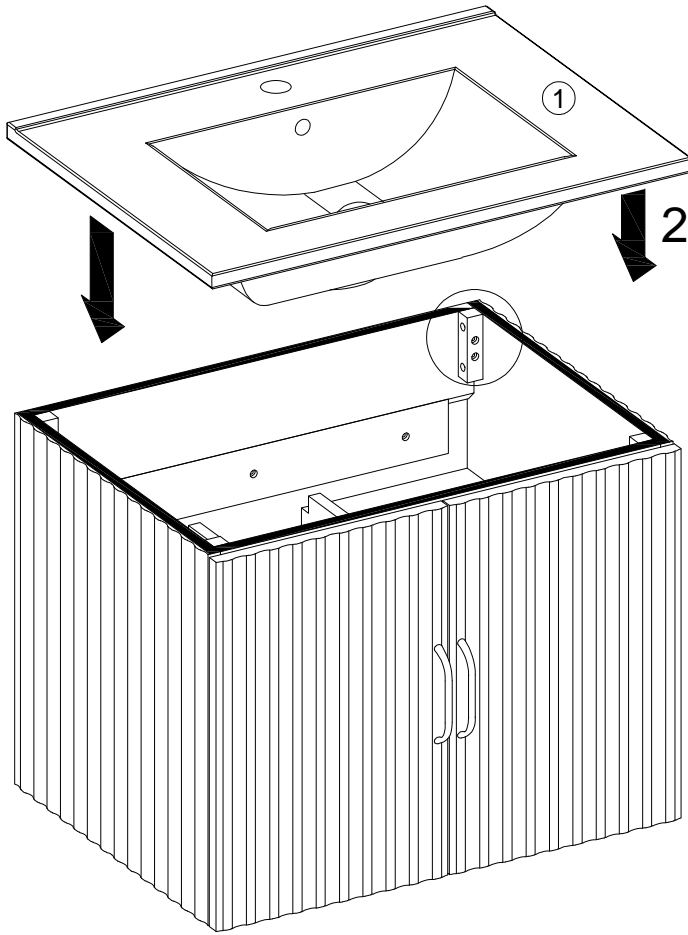


	10 x 3pcs
	11 x 3pcs

STEP 17



STEP18



To install the Top (1) to the vanity (2). Apply silicone caulk to the top edge of the wood cabinet. With the help of another adult, gently lower the Sink top with assembled sink onto the cabinet. Make sure the Sink top is flush with the back side of the wood cabinet and the wood cabinet left and right side walls.

STEP19

