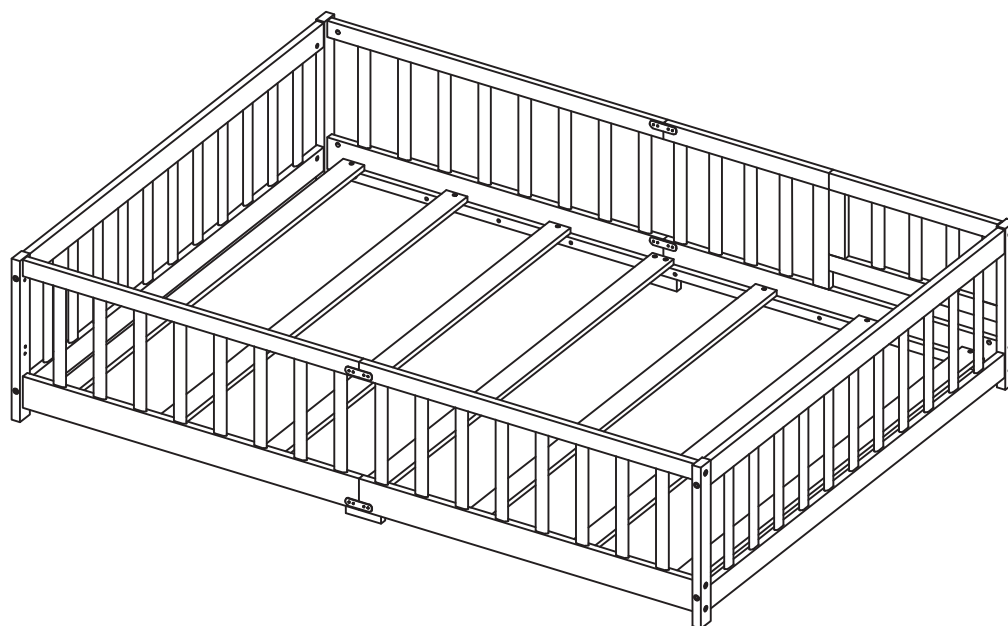
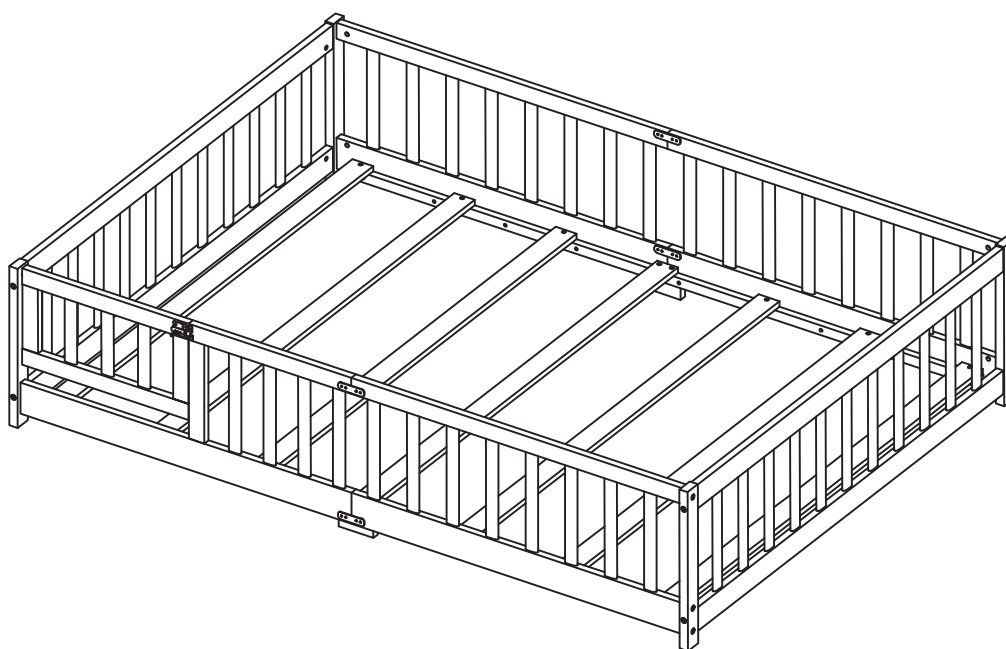


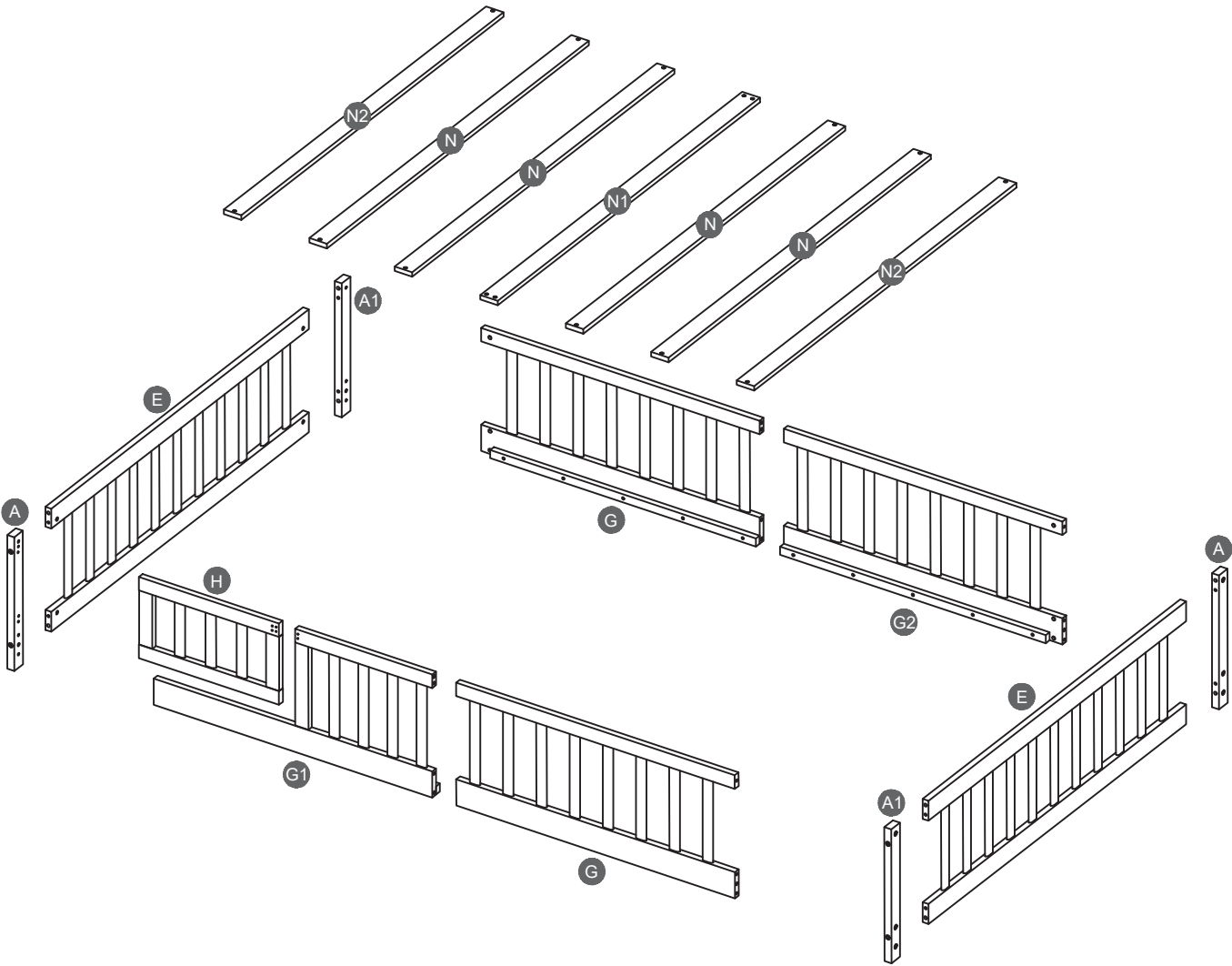
ASSEMBLY INSTRUCTIONS

FULL FLOOR BED WITH FENCE



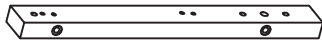
MK33742

Detail View



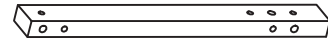
Part List

A



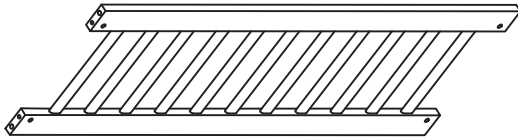
Leg - 2pcs

A1



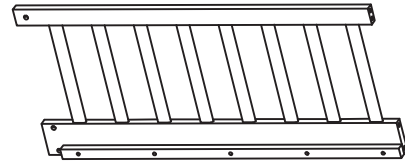
Leg - 2pcs

E



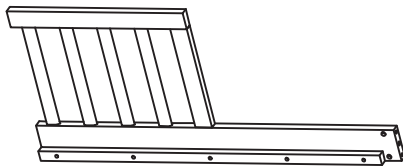
Hb. Fb. Panel - 2pcs

G



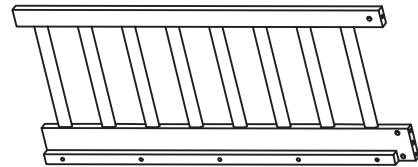
Side Rail - 2pcs

G1



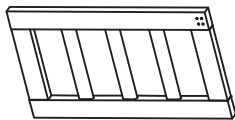
Side Rail - 1pc

G2



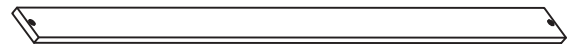
Side Rail - 1pc

H



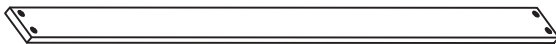
Door - 1pc

N



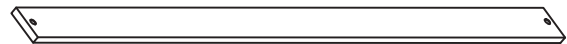
Bed Slats - 4pcs

N1




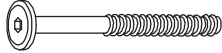


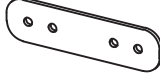

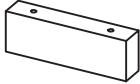





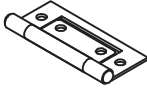
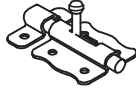
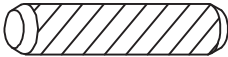

Bed Slats (Mid.) - 1pc

N2

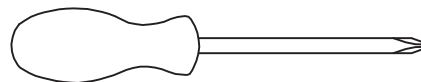


Bed Slats (End) - 2pcs

Hardware List




1  M6 x 80mm JCBC (8pcs)	2  M6 x 65mm JCBC (11pcs)	3  M6 x 15mm Barrel Nut (19pcs)
4  M10 x 30mm Wood Dowel (Short) (12pcs)	5  Metal Bracket (8pcs)	6  M3.5 x 16mm CSK Screw (46pcs)
7  Side Rail Bottom Support (2pcs)	8  M4 x 32mm CSK Screw (4pcs)	9  M4 x 25mm CSK Screw (12pcs)
10  M6 x 30mm JCBC-W (4pcs)	11  20 x 20 x 230mm Wood Block (1pc)	12  Sticker Cap (2pcs)
13  6 x 24 x 55mm (135°) Hinges (2pcs)	14  10 x 40 x 60mm Lock (1pc)	15  M10 x 40mm Wood Dowel (Long) (8pcs)
16  M4 Allen Key (1pc)		

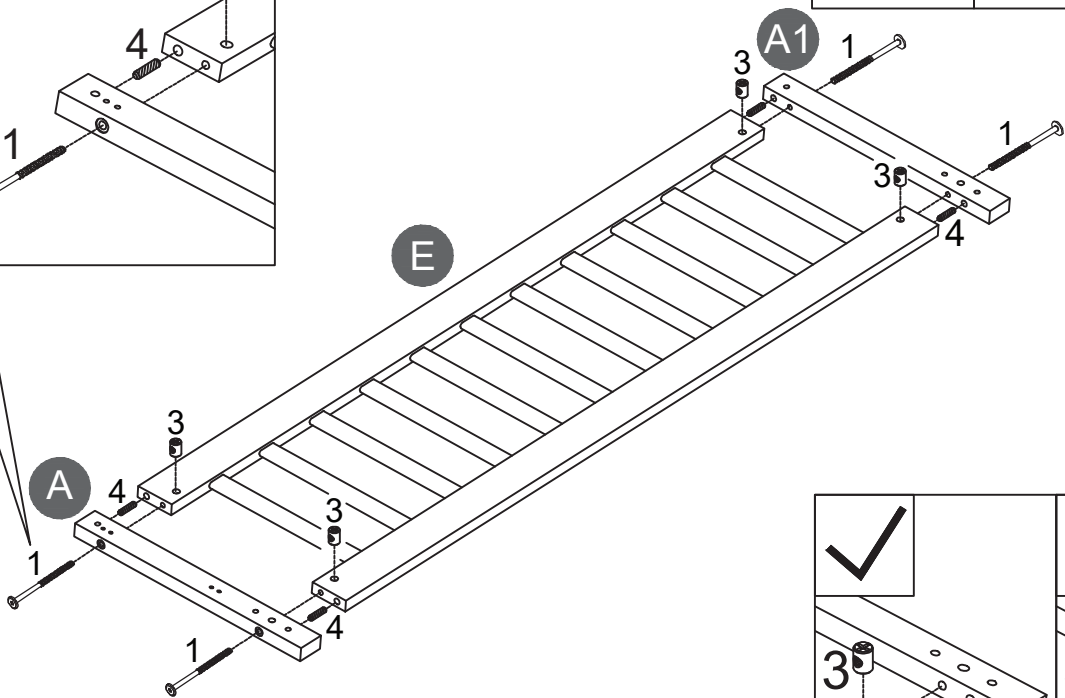
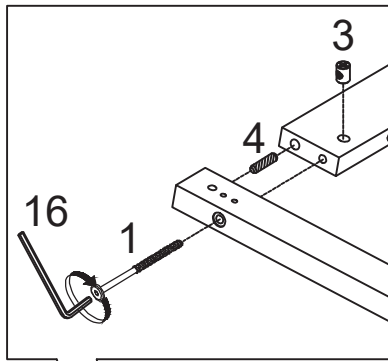
ASSEMBLY TOOLS REQUIRED (NOT INCLUDED)



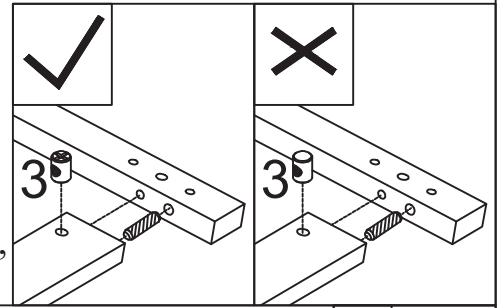
PLEASE BE CAREFUL DO NOT DAMAGE THE HOLE POSITION WHEN YOU USE POWER TOOLS !

STEP 1:


1		3		4	
8PCS		8PCS		8PCS	



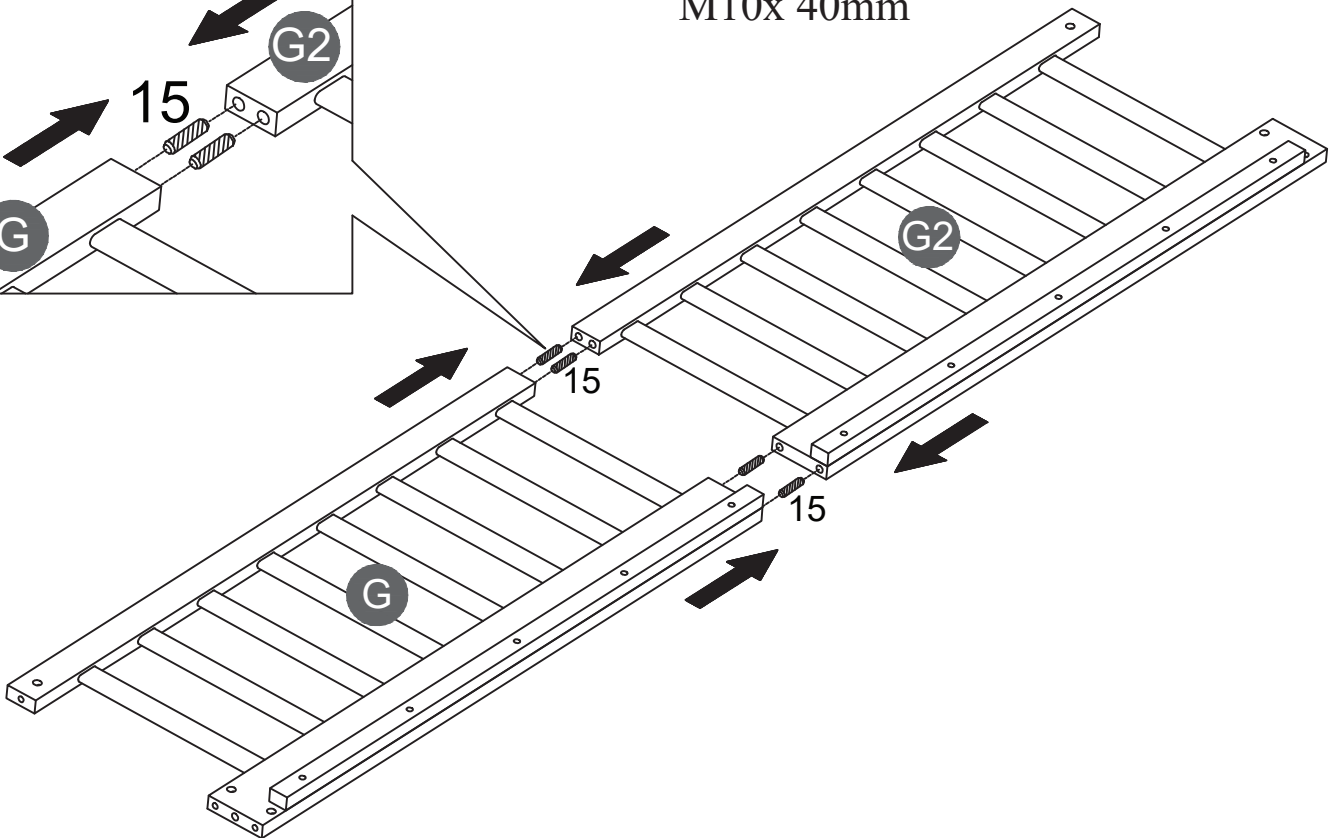
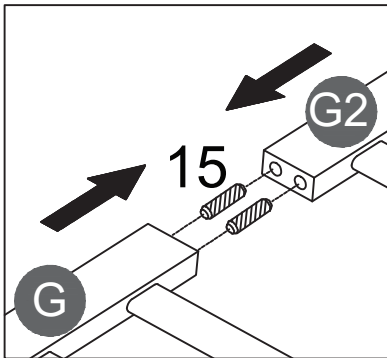
Note: Part 3 will face up with the "x" mark on it, otherwise it cannot be tightened



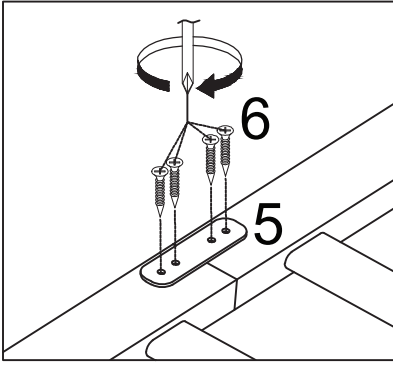
STEP 2:

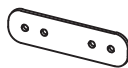

15	
4PCS	

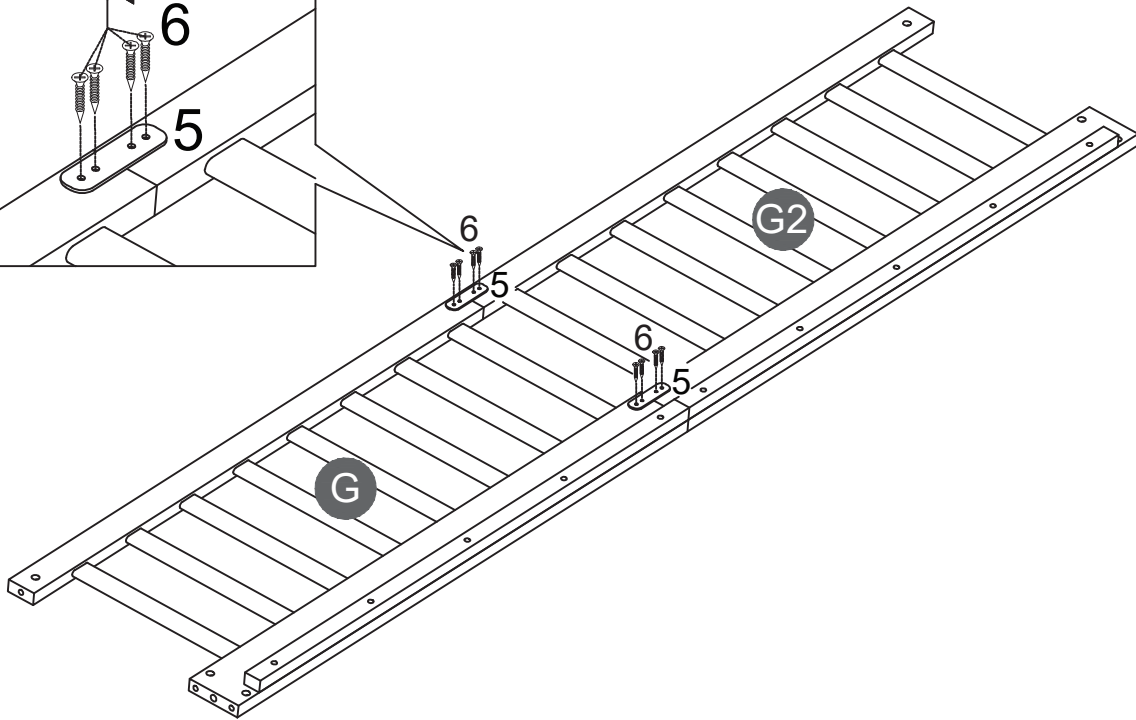
Note:
Use the **Long Wood Dowel**
M10x 40mm



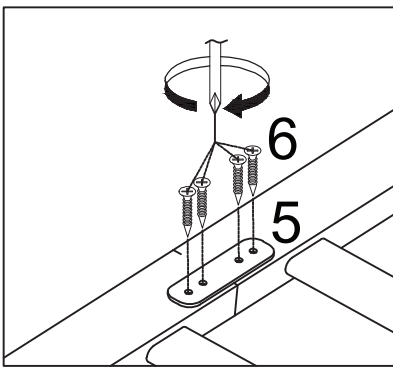
STEP 3:





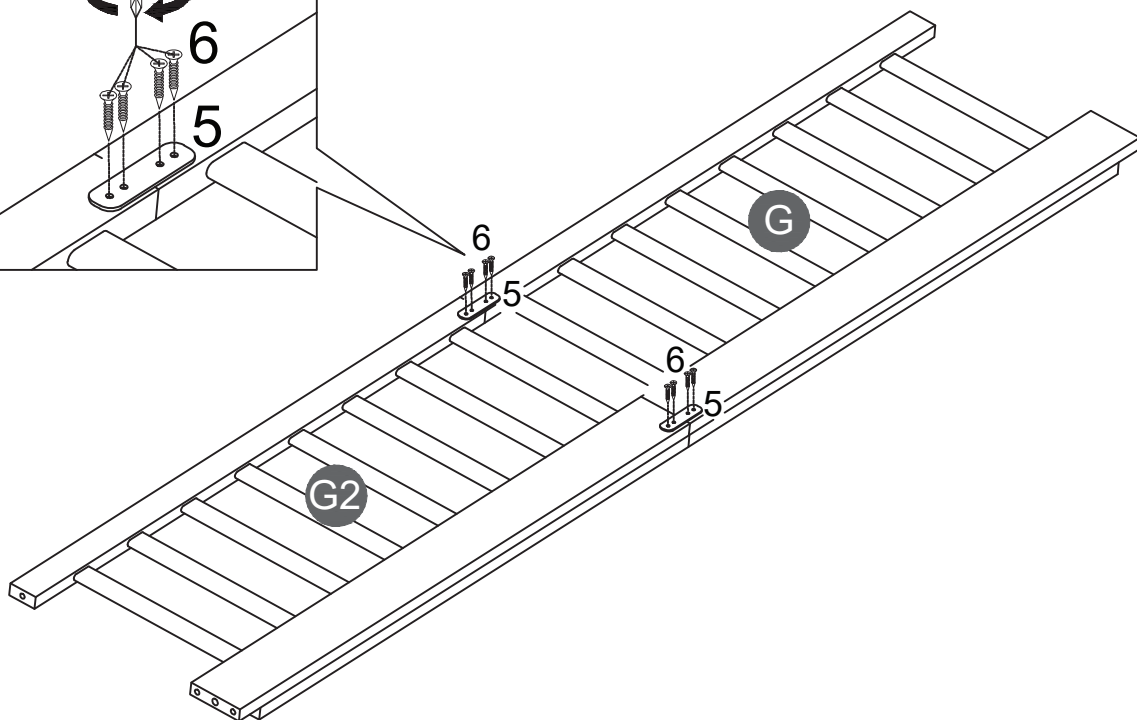
5	6
	
2PCS	8PCS



STEP 4:

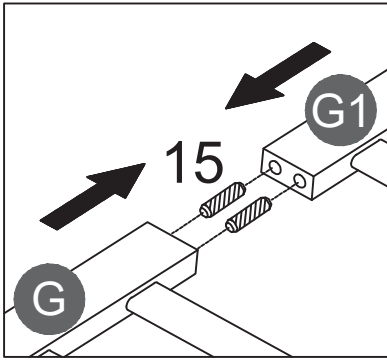


5	6
	
2PCS	8PCS




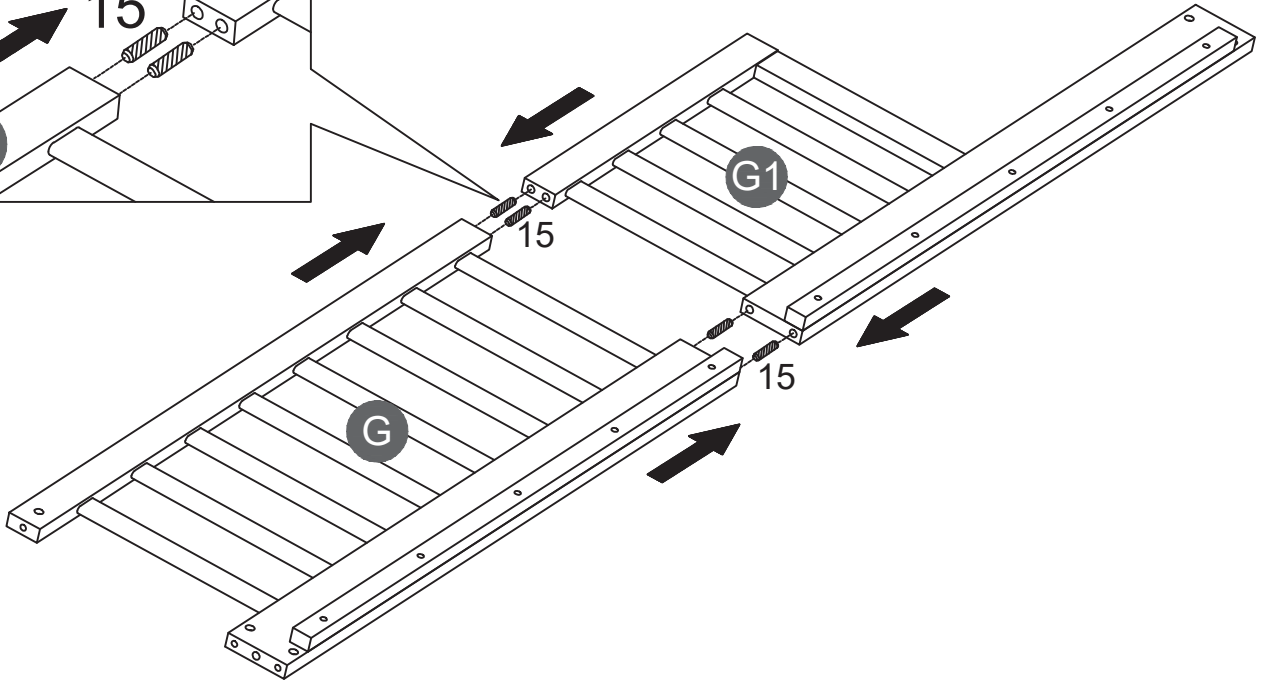
After completing the installation of Step 3, please flip to the other side.

STEP 5:

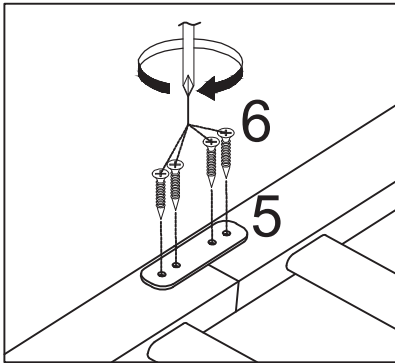


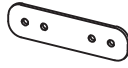
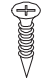
Note:
Use the **Long Wood Dowel**
M10x 40mm

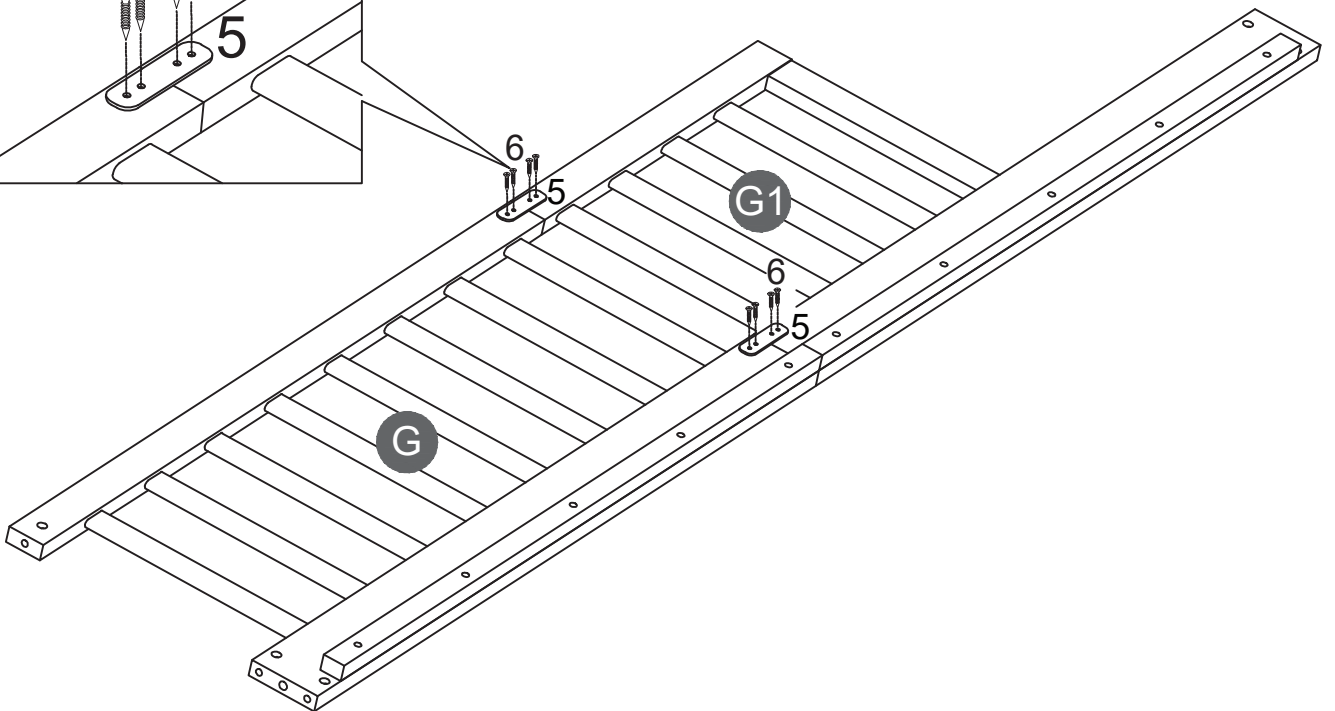
15	
4PCS	



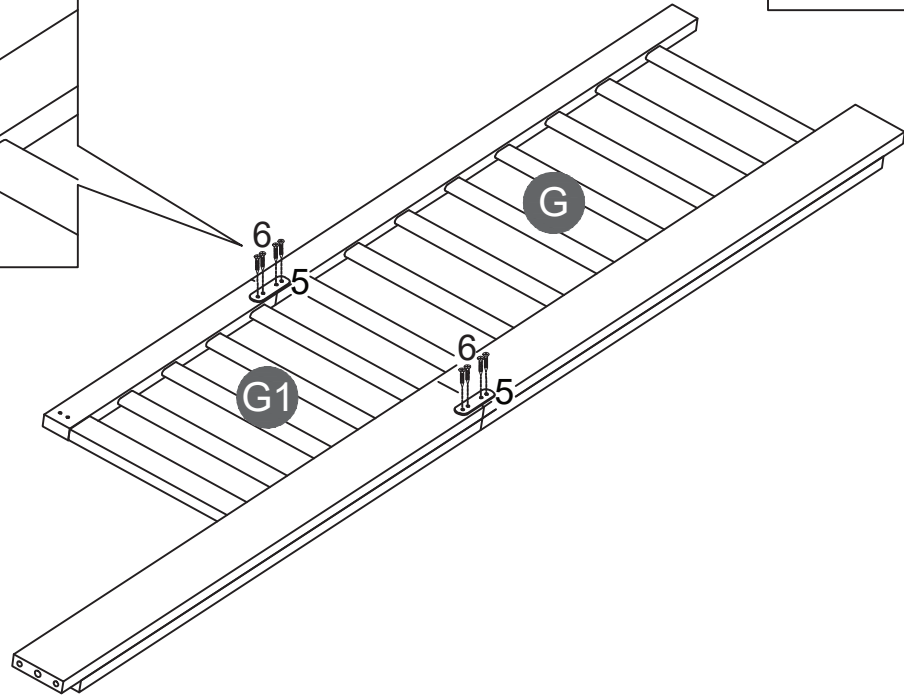
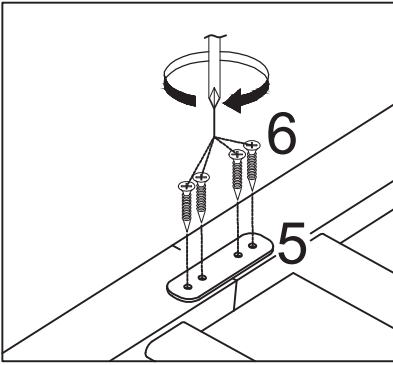
STEP 6:

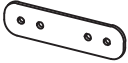



5	6
	
2PCS	8PCS



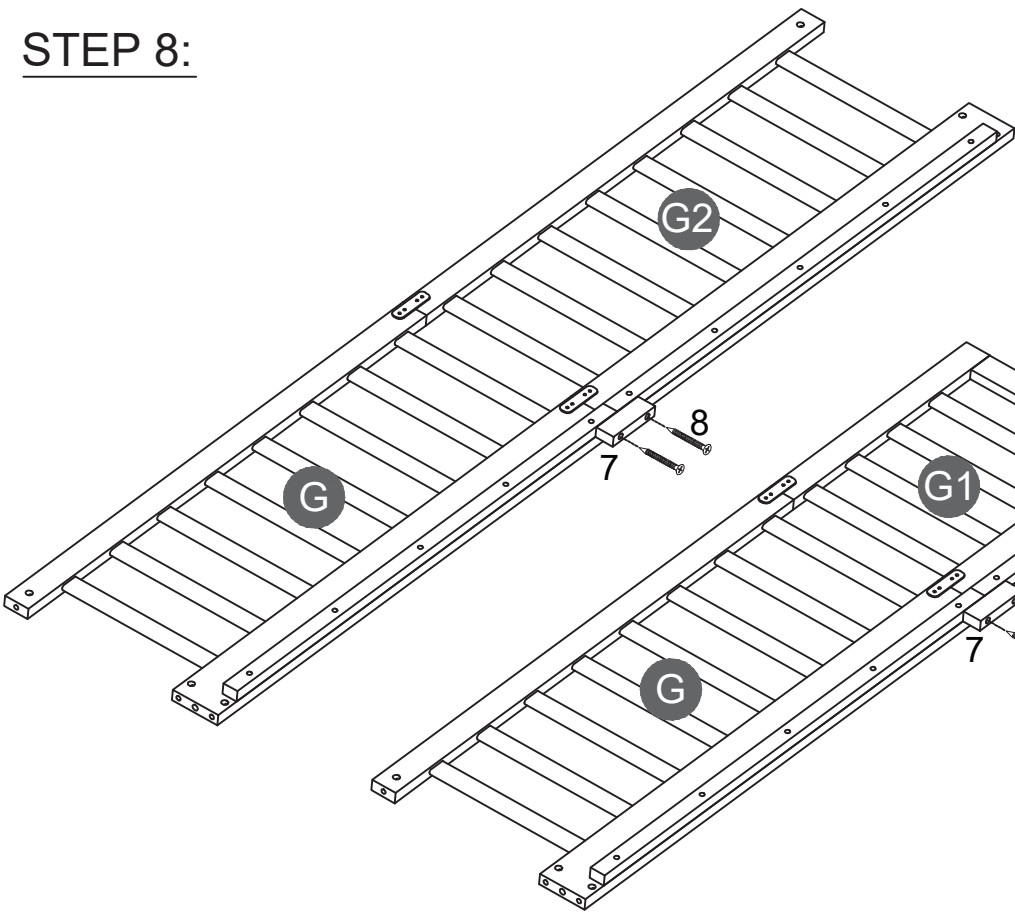
STEP 7:

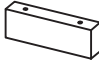



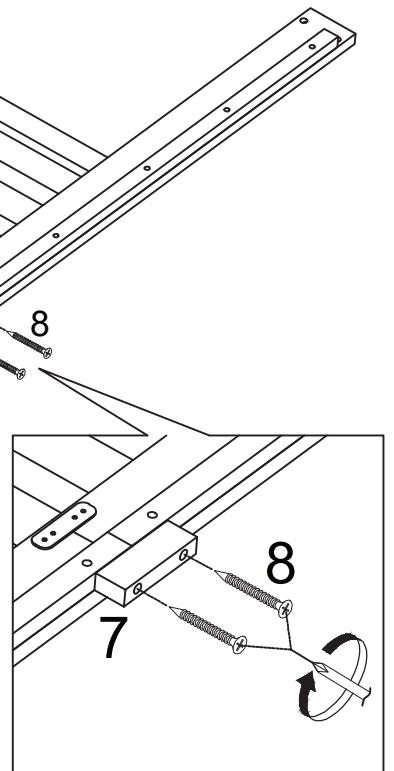
5 	6 
2PCS	8PCS

After completing the installation of Step 6, please flip to the other side.





STEP 8:

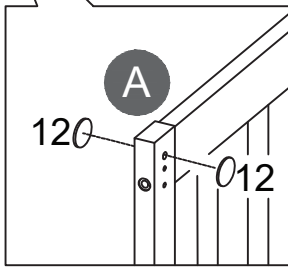
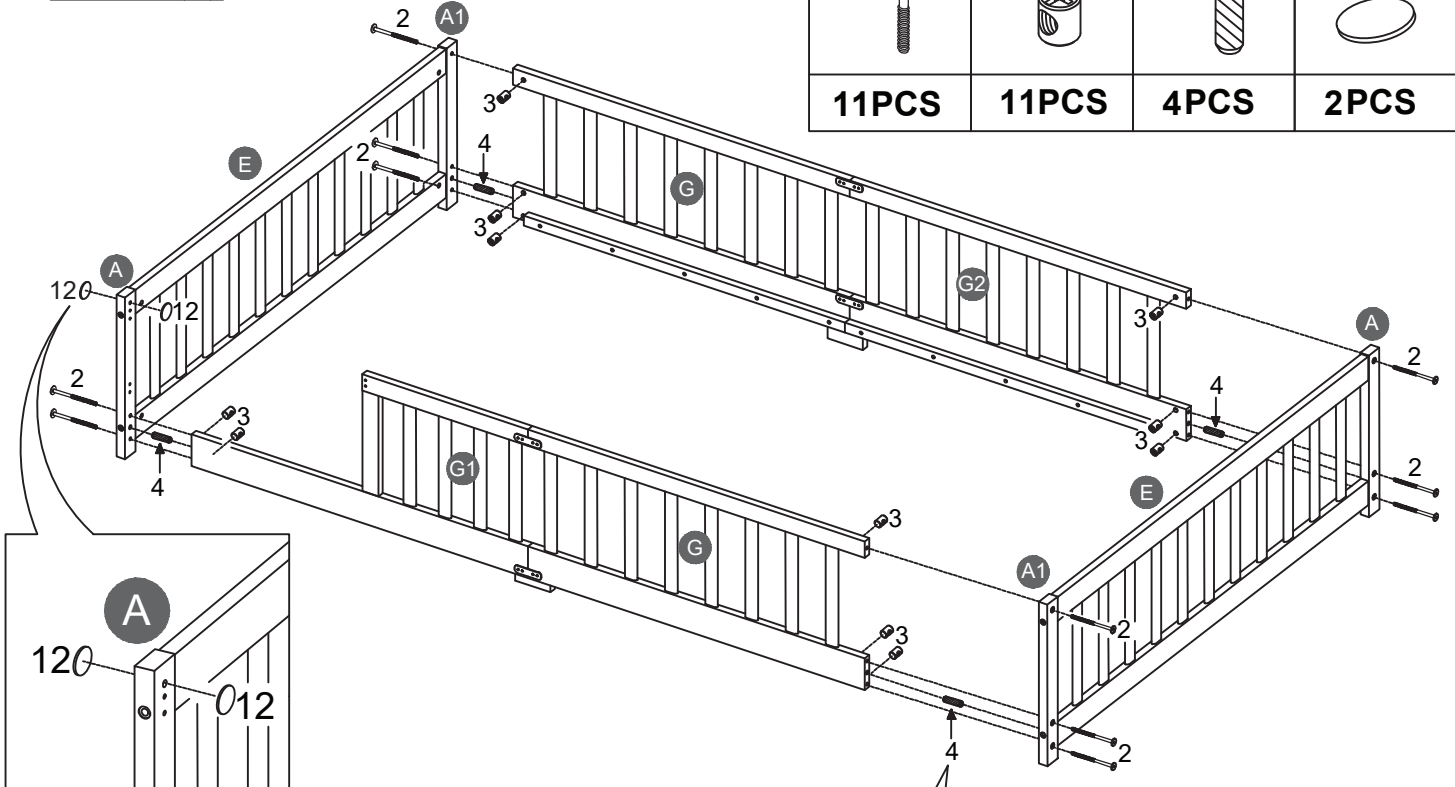


7 	8 
2PCS	4PCS

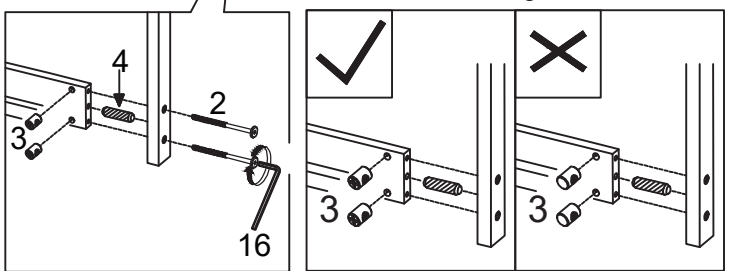


STEP 9:


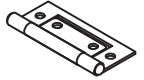
2		3		4		12	
11PCS		11PCS		4PCS		2PCS	

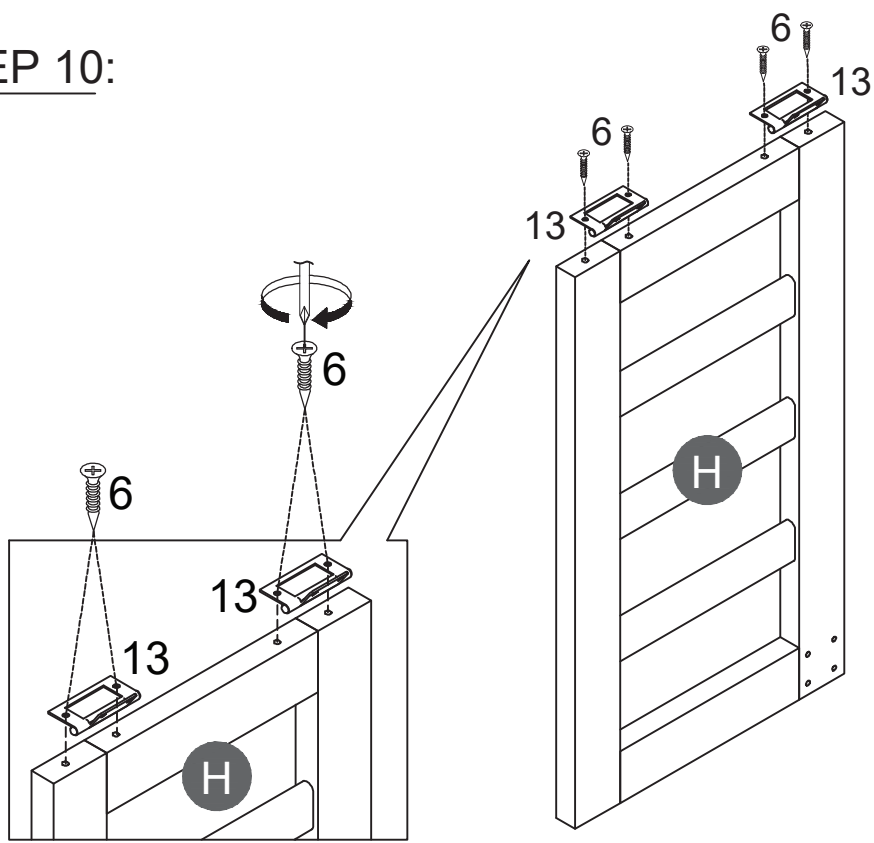


Note: Part 3 will face up with the "x" mark on it, otherwise it cannot be tightened

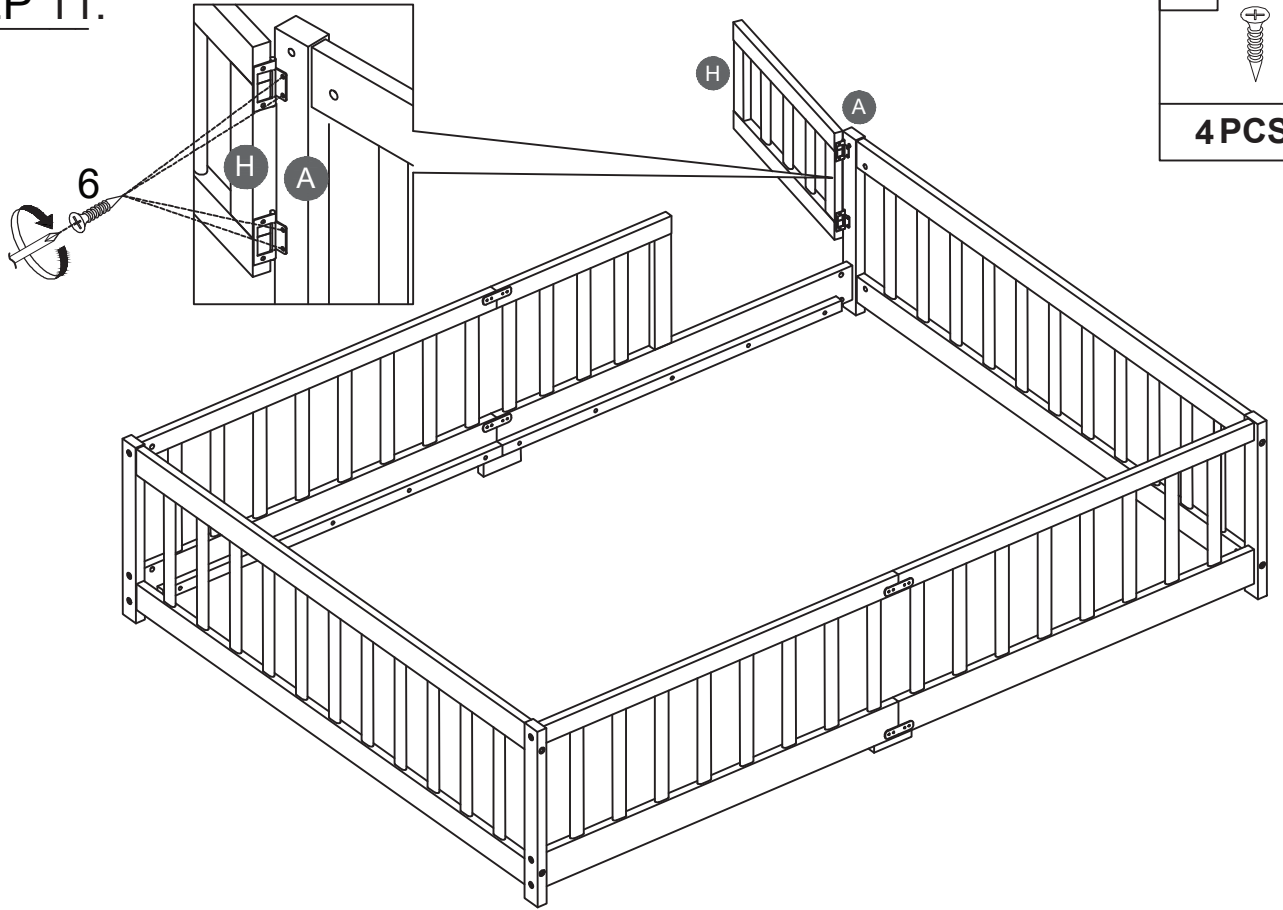


STEP 10:

6		13	
4PCS		2PCS	



STEP 11:

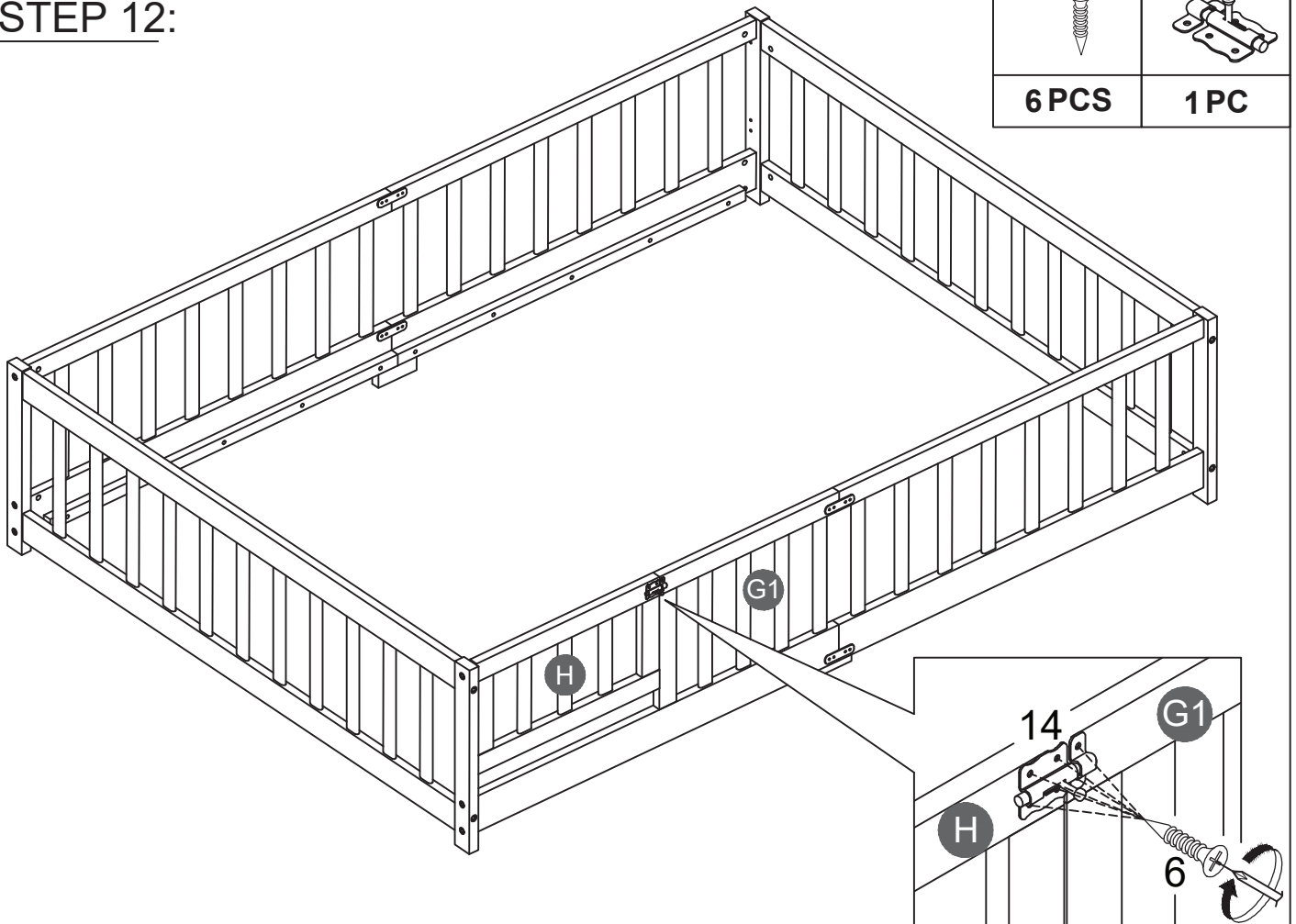


6



4 PCS

STEP 12:

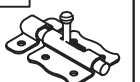


6






6 PCS

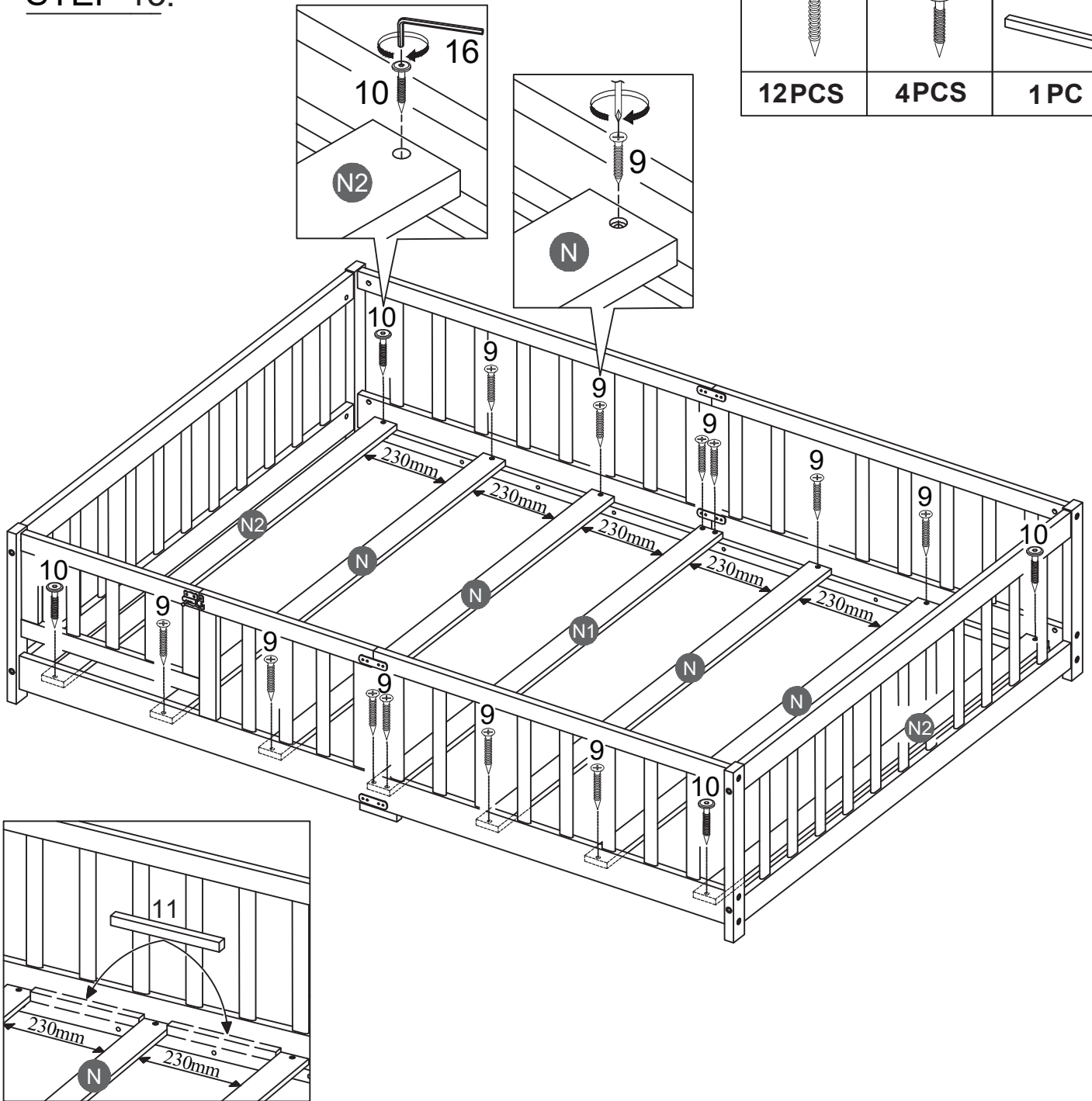
14



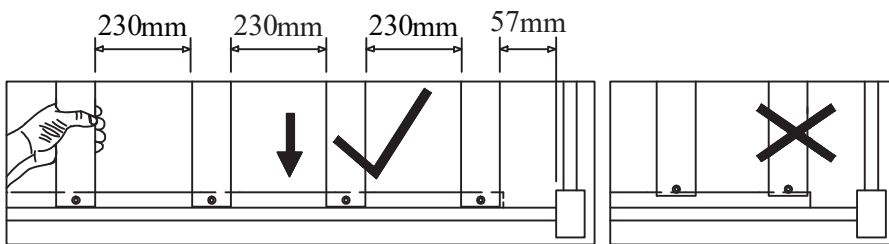
1 PC

STEP 13:

9		10		11	
12PCS		4PCS		1 PC	



Note: Use Wood Block as a guidance distance between Bed Slats.



Note: Do not lock the screws of the bed slats to the outermost edge of the bed slats, you need to leave a certain space at the edges, otherwise it will cause the board to break. Do not lock the bed slats on the edge of the wood, please hold firmly before screwing, hold it in place with one hand, then lock the screw.