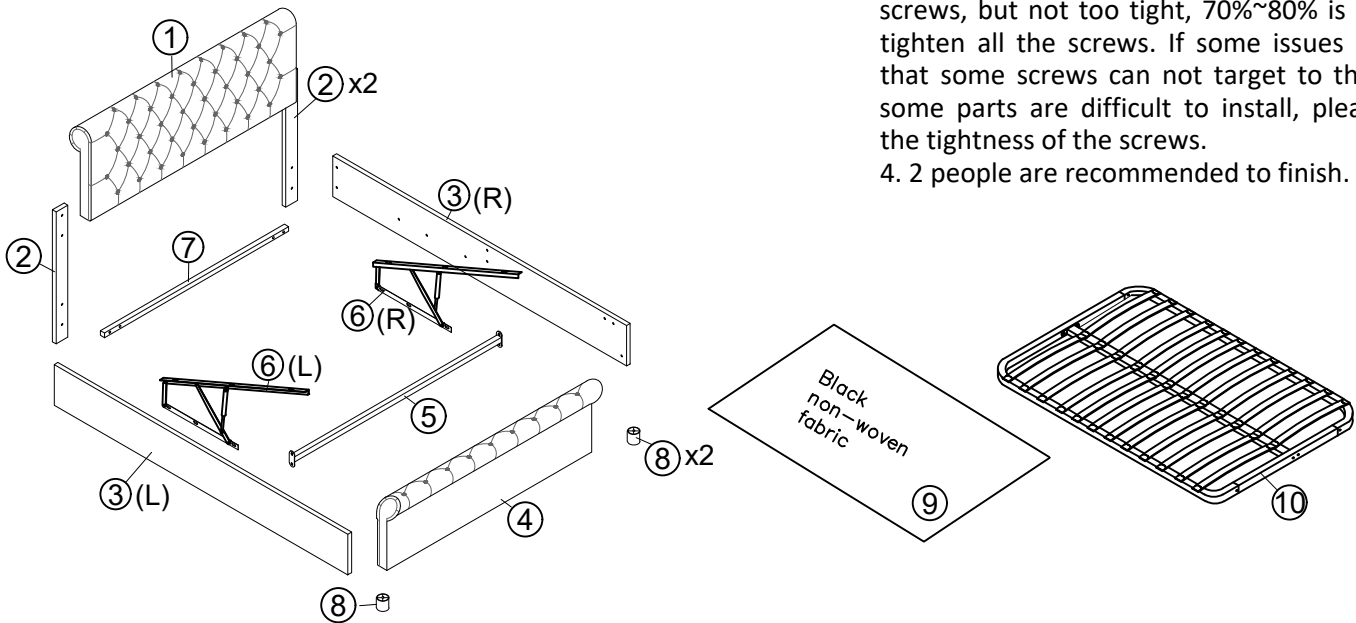
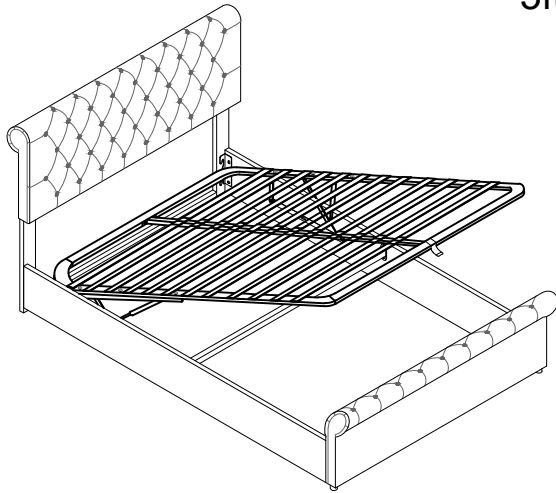


ASSEMBLY INSTRUCTION

Item Number:WF311656AAB WF311657AAB
WF311658AAB WF311659AAB

Upholstered Bed:4ft6
5ft



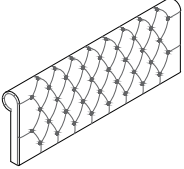

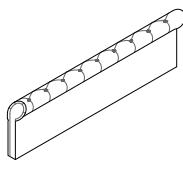
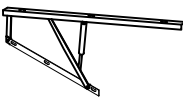
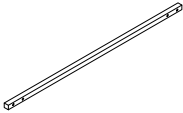
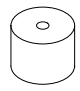
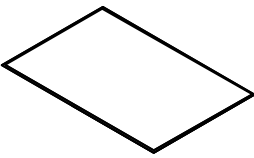
TIPPS

1. This set comes in 2 boxes. If you don't receive a full 2 boxes, please contact our customer service.
2. Please read the instructions fully before assembly. These instructions include important information which could ensure correct assembly. We have been working on providing high quality products for you. However, in the rare instance that your product is defective, missing parts or there are some issues, please don't hesitate to contact our customer service to submit parts requirements, assembly suggestion, or warranty claims, and we will give the best solution as soon as possible. If necessary, we need you to provide some more clear pictures of the issue.
3. Insert the screws in holes and tighten the screws, but not too tight, 70%~80% is ok, finally tighten all the screws. If some issues happened that some screws can not target to the hole or some parts are difficult to install, please adjust the tightness of the screws.
4. 2 people are recommended to finish.

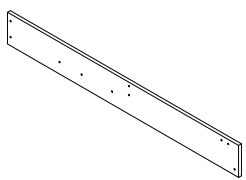
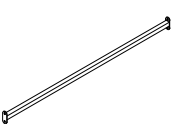
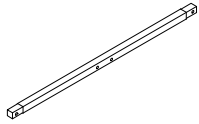
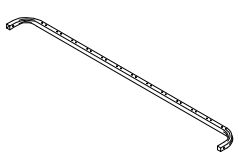
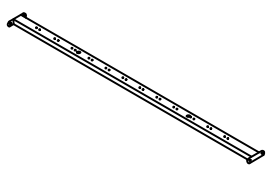
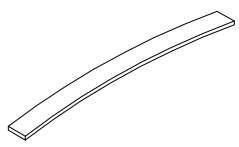
Parts List			Hardware List		
NO	ITEM	QTY	NO	ITEM	QTY
1	Head board	1	A	Allen Key 	1
2	Head board legs	2	B	Bolts (M8x45mm) 	18
3	Siderails	2	C	Hinge 	2
4	Foot board	1	D	Bolts (M8x18mm) 	38
5	Cross bar	1	E	Three hole iron 	2
6	Gas lift	2	F	Little "7" Connector 	2
7	Head board cross bar	1	G	Metal Corner 	2
8	Bed legs	2	H	Nails (M4x50mm) 	2
9	Non woven fabric	1	I	"7" Connector 	1
10	Slat frame	1	J	Nuts 	4
			K	Spanner 	1
			L	Nuts 	14
			M	Middle slats cap 	12
			N	End slats cap 	24
			O	Pull tape 	1

Part List

Hardware List+WF311656AAB / WF311658AAB

1  Head board -1pc	2  Head board legs -2pcs	4  Foot board -1pc
6  Gas lift-2pcs	7  Head board cross bar -1pc	8  Bed legs -2pcs
9  Non woven fabric-1pc		

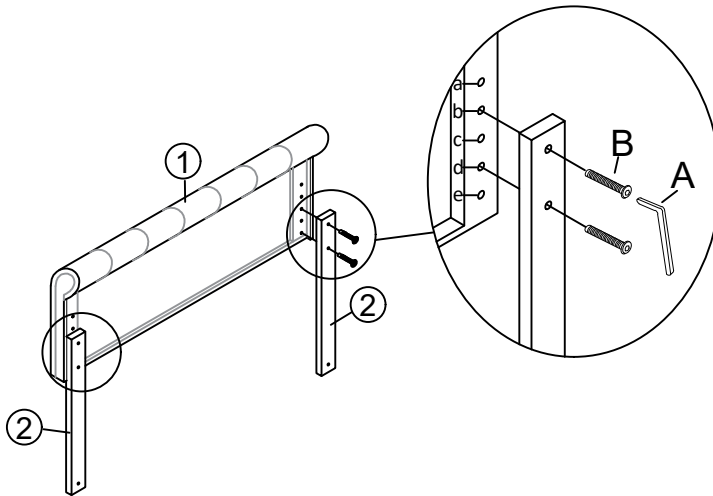
WF311657AAB / WF311659AAB



3  Side rails -2pcs	5  Cross bar -1pc	10.1  Metal frame cross bar-2pcs
10.2  Metal frame side bar-2pcs	10.3  Metal frame middle bar-1pc	10.4  Slat-24pcs

Attention: Do not tighten the screws before completing the entire installation. If you have any difficulty with the installation process, please feel free to contact us.

Step 1 x2

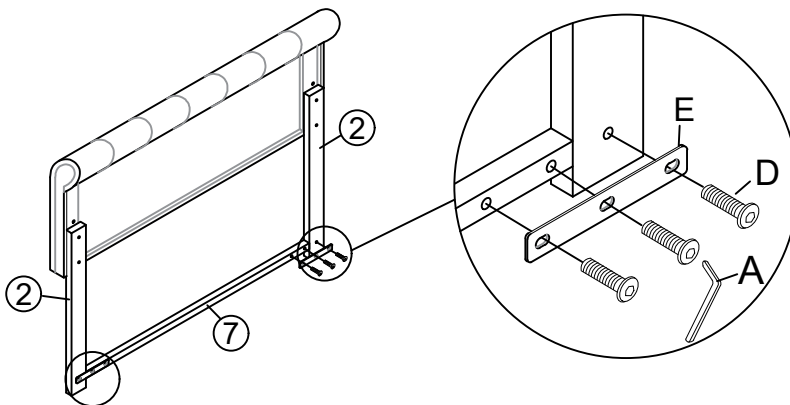
Fix the Headboard legs ② to the Headboard ① with Bolt B by using Allen key A. You can chose the hole a and c, or b and d, or c and e.






A Allen Key	B Bolts x 4 M8X45mm
	

Step 2

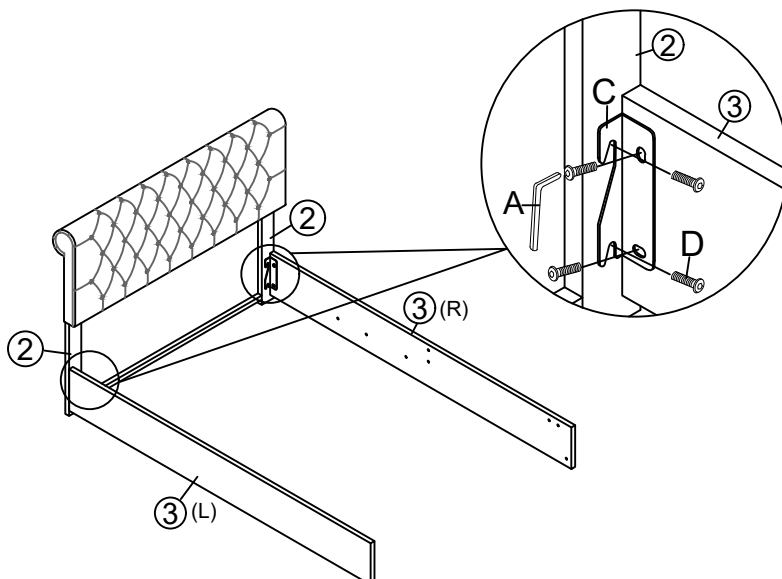
Fix the Headboard cross bar ⑦ to the Headboard legs ② with Bolt D and Three hole iron E by using Allen key A.






A Allen Key	D Bolts x 6 M8X18mm	E Three hole iron x 2
		

Step 3

Fix the side rails ③ to the Headboard legs ② with Bolts D and Hinges C by using Allen key A .

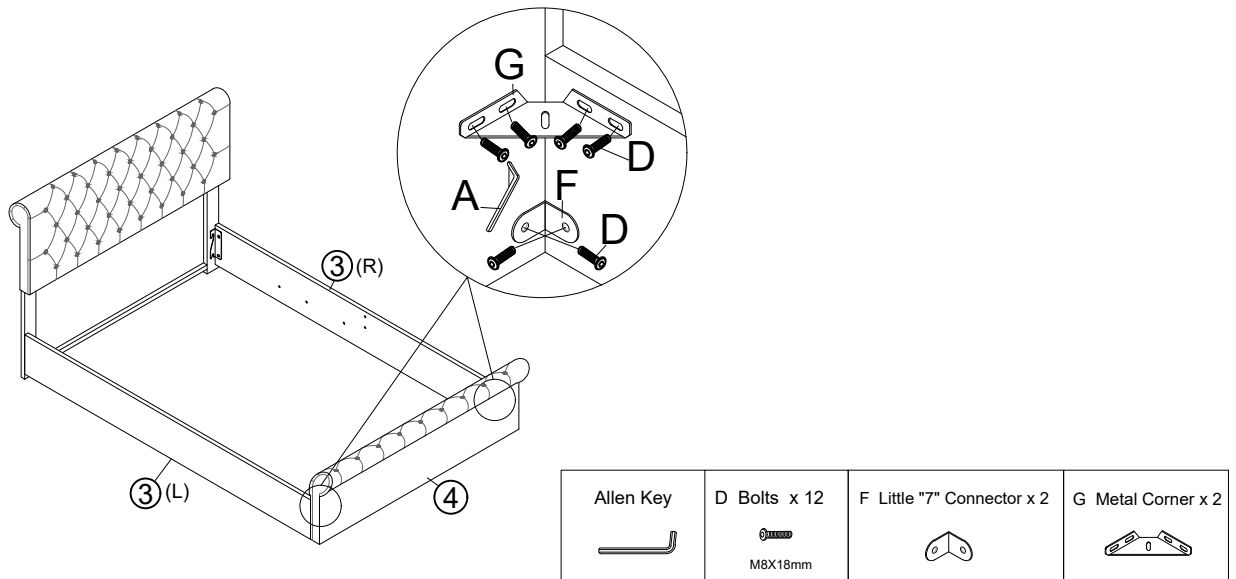


The circular hole is installed on side rails ③.
Another two holes are installed on the headboard legs ②.

A Allen Key	D Bolts x 8 M8X18mm	C Hinge x 2
		

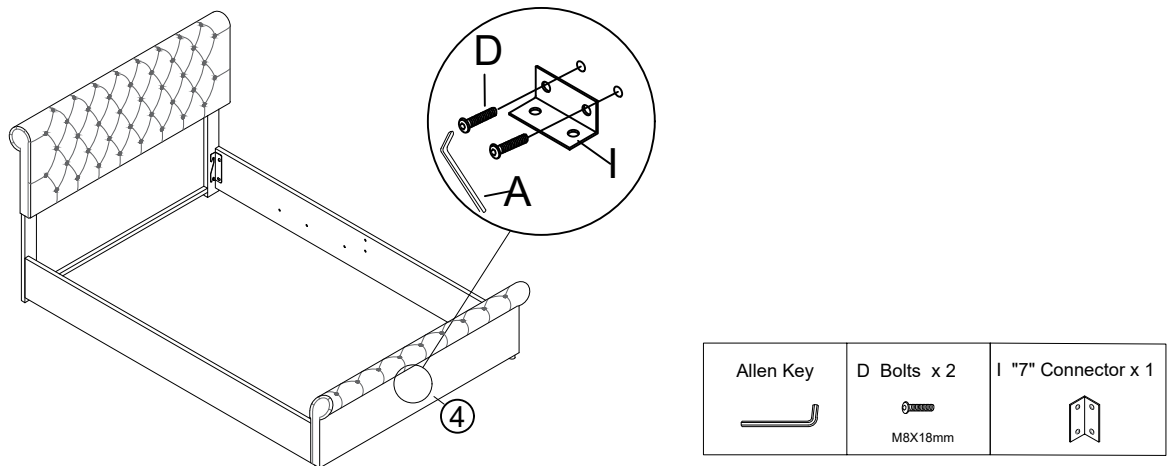
Step 4

Fix the Siderails ③ to the footboard ④ with Metal corner G, Little "7" Connector F and Bolts D by using Allen key A.



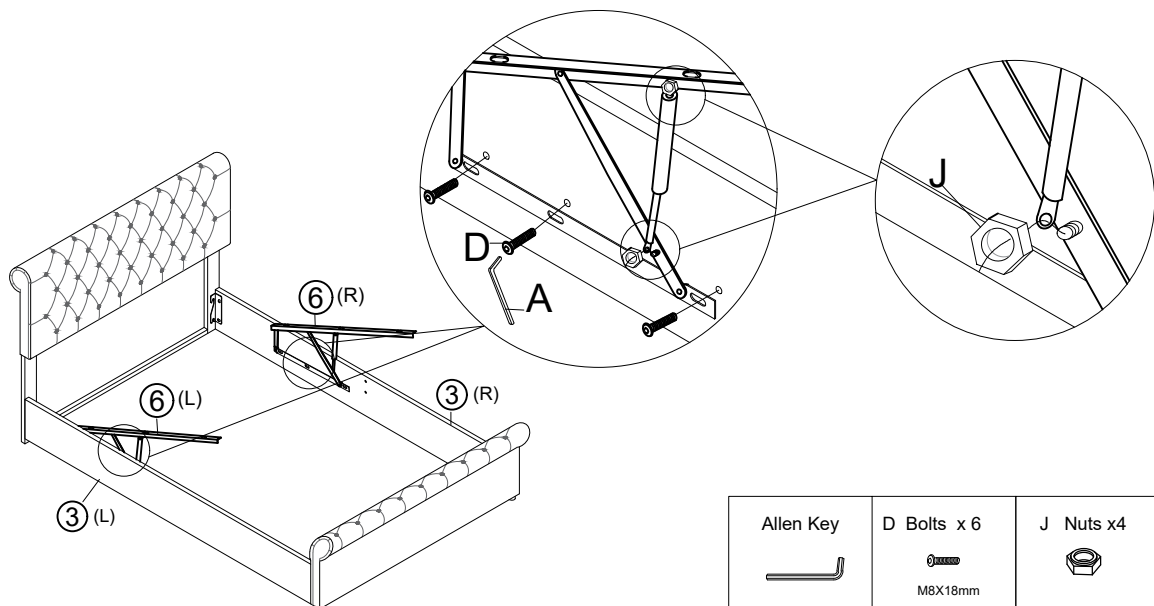
Step 5

Fix the "7" Connector I to the footboard ④ with Bolts D by using Allen key A.



Step 6

Fix the gas lifts ⑥ to the Siderails ③ with Bolts D by using Allen Key A or electric drill. Fix the gas bar to the gas lifts ⑥ with Nuts J.

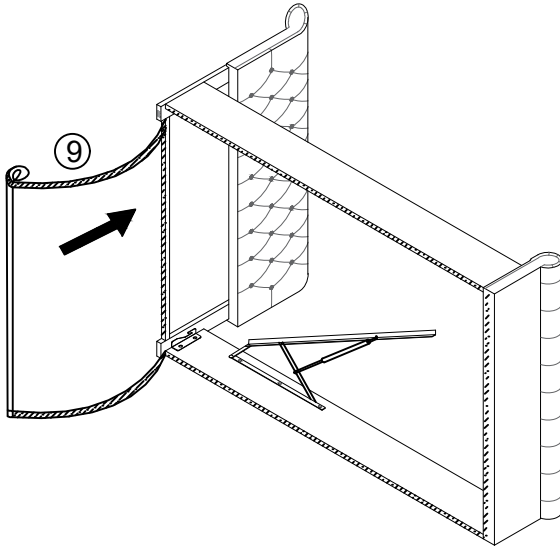


NOTICE:

The hole on the gas list is oval, Please ensure that the installation positions on the left and right are roughly the same, if you accidentally install the gas lift one side to the front and the other to the back, which affects your use, you can knock it down and reinstall it.

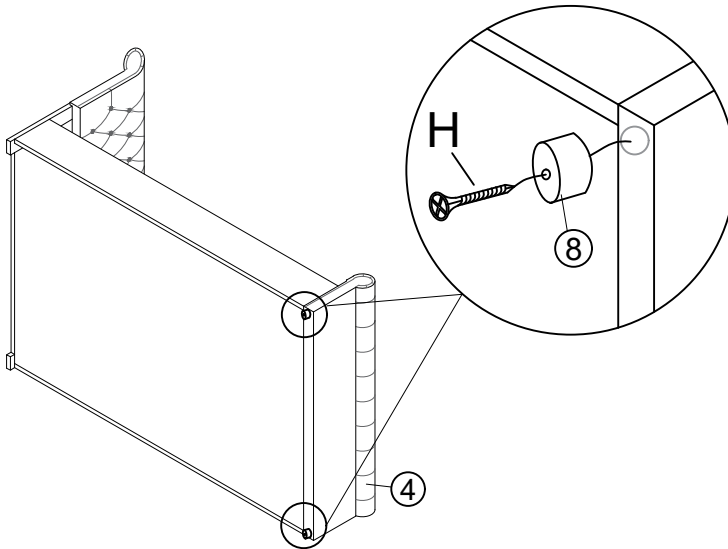
Step 7

Stick the black non-woven fabric ⑨ to the bottom of the bed .



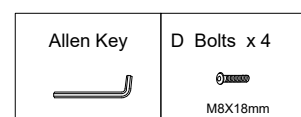
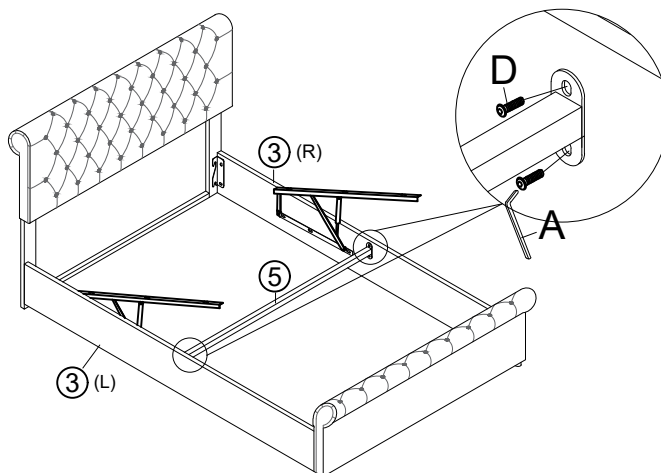
Step 8

Fix the legs ⑧ to the bottom of footboard ④ with Nails H by using electric drill or screw driver.



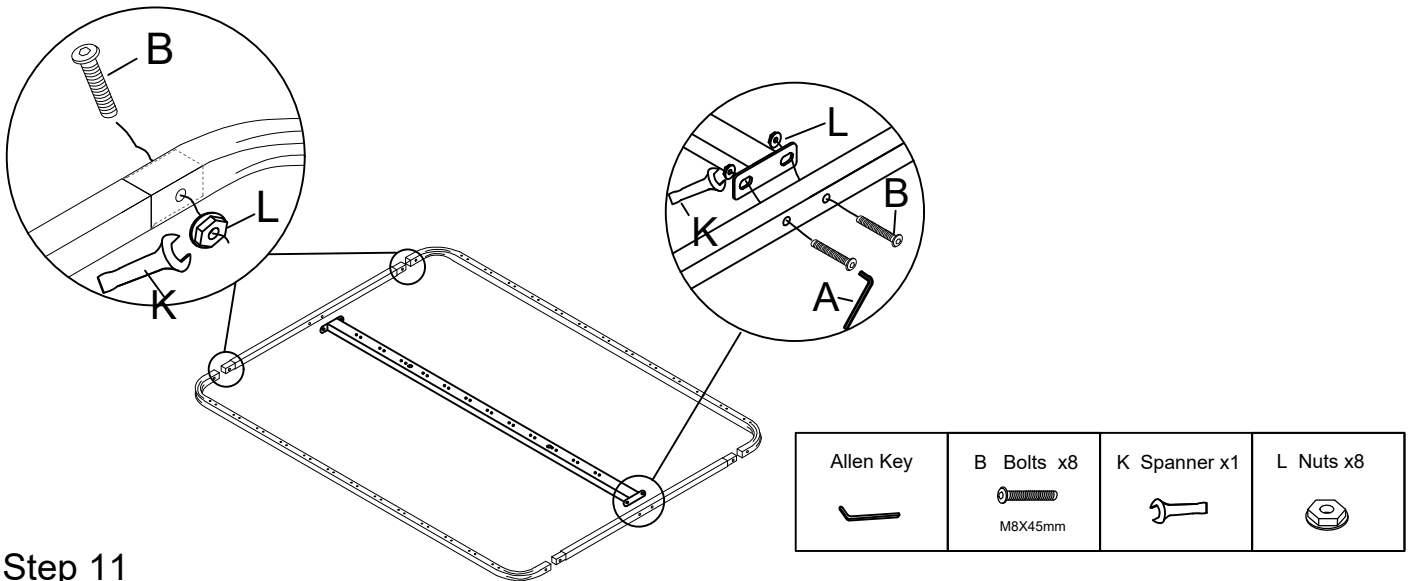
Step 9

Fix the cross bar ⑤ to the Siderails ③ with Bolts D by using Allen Key A.



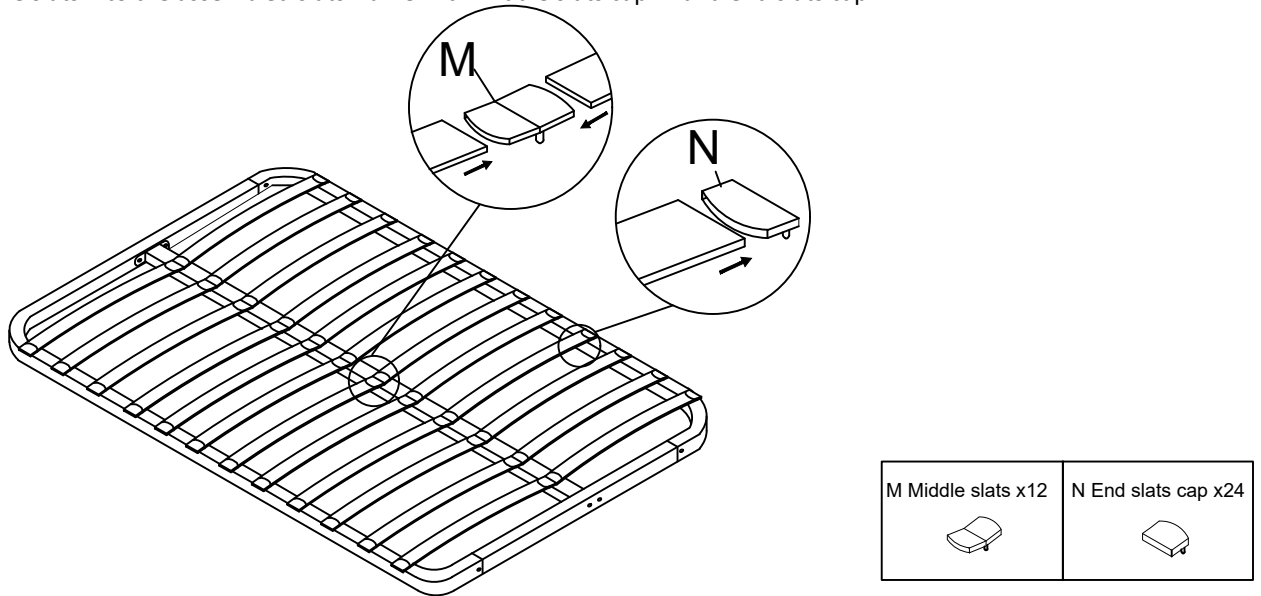
Step 10

Assemble the slats frame with Bolts B and Nuts L by using Spanner K and Allen Key A.



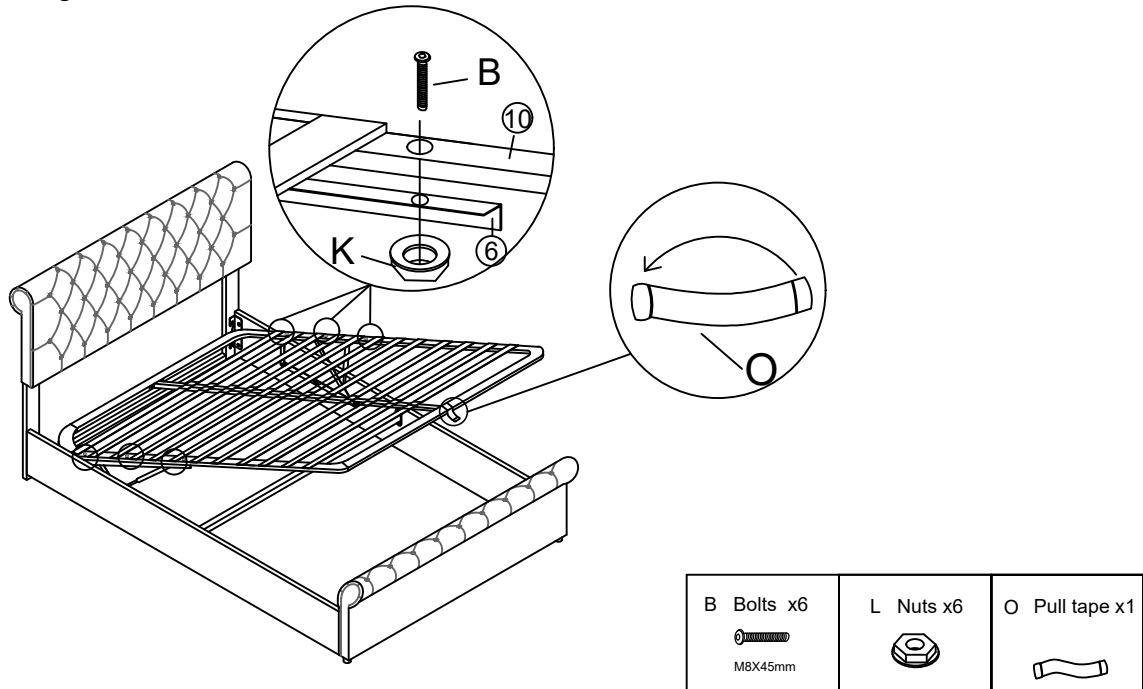
Step 11

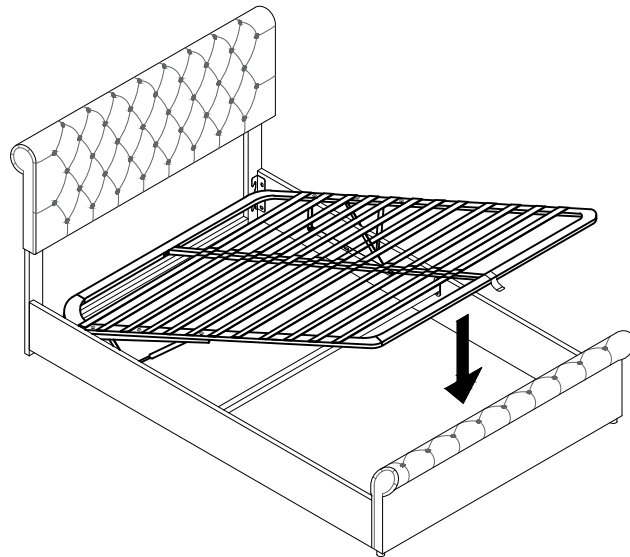
Assemble the slats into the assembled slats frame with middle slats cap M and end slats cap N.



Step 12

Assemble the slats frame ⑩ to the gas lifts ⑥ with Bolts B and Nuts L, put the Pull tape O in the end of the slat frame, now please tighten all hardware, then assembly is finished.





WHY WON'T MY HYDRAULIC BED STAY DOWN?

1. In fact, nine times out ten the reason why hydraulic won't close is because you need to put your mattress on top of the bed. Yep, it really is that easy. This is because the hydraulic pistons need the weight of the mattress to provide enough pressure to close your bed.

2. However, what if you've put your mattress on your bed and you're one of the unlucky ones who finds that their hydraulic bed still won't stay down?

As previously mentioned, they require pressure in order to close. However, occasionally as well as placing the mattress on the bed you will initially have to apply some physical force yourself to close the bed. Don't worry you won't break it! ! ! !