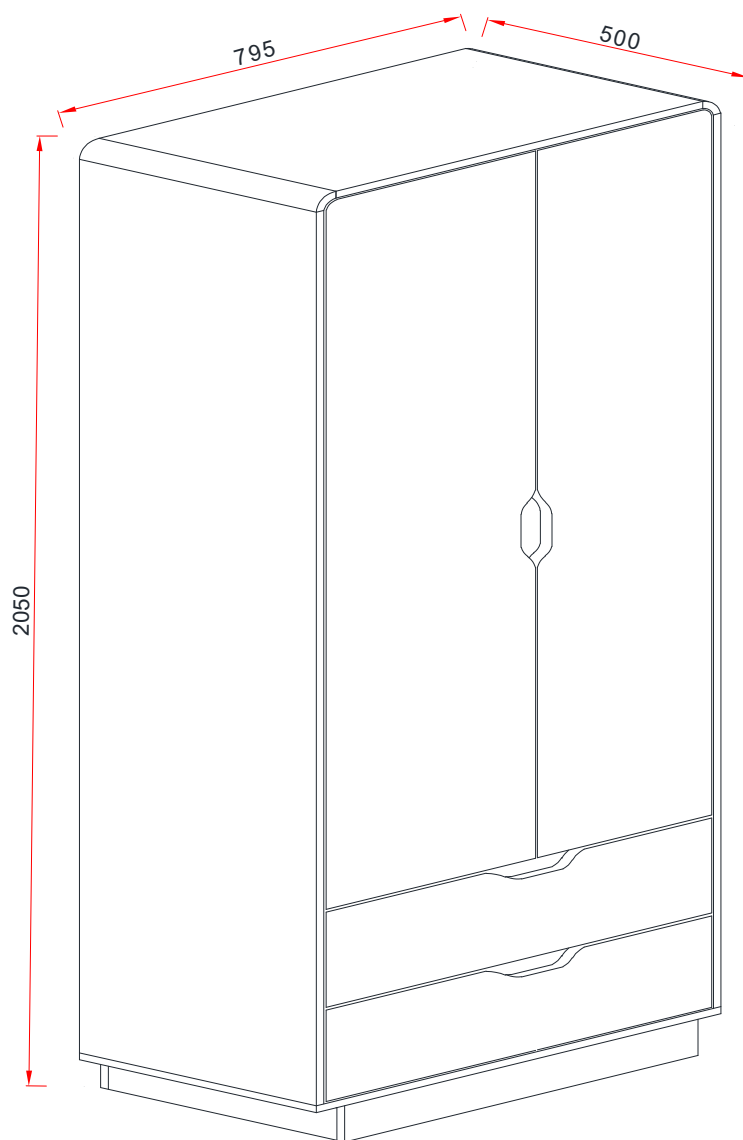



GLOBAL PROCUREMENT AND MARKETING LIMITED

2 DOOR WARDROBE WITH 2 DRAWER

Assembly instruction- Please keep for future reference



Dimensions	No. People	Assembly Time	OW#
Width: 205cm		35 mins (approx)	
Depth: 50cm			
Height: 79.5cm			

Important-Please read these instructions fully before starting assembly

⚠ Safety and Care Advice

Important-Please read these instructions fully before starting assembly

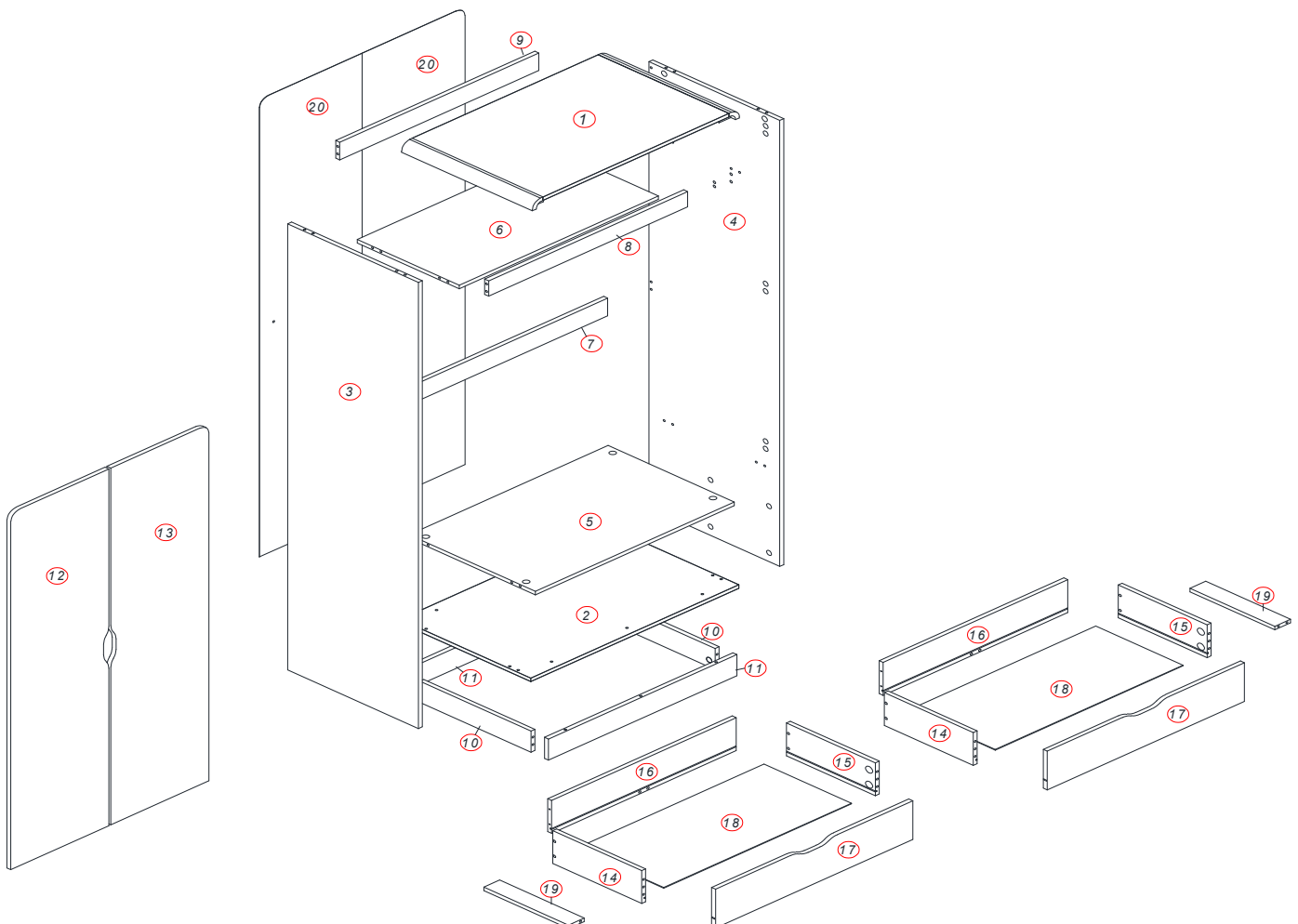
- Check you have all the components and tools listed on pages 2,3 and 4.
- Remove all fittings from the plastic bags and separate them into their groups.
- Keep children and animals away from the work area, small parts could choke if swallowed.
- Make sure you have enough space to lay out the parts before starting.
- Do not stand or put weight on the product, this could cause damage.
- Assemble the item as close to its final position (in the same room) as possible.
- Assemble on a soft, level surface to avoid damaging the unit or your floor.
- We do not recommend the use of power drill/drivers for inserting screw, as this could damage the unit. only use hand screwdrivers.
- Dispose of all packaging carefully and responsibly.



Care and Maintenance

- Only clean using a damp cloth and mild detergent, do not use bleach or abrasive cleaners.
- From time to time check that there are no loose screws on this unit.
- This product should not be discarded with household waste. Take to your local authority waste disposal centre.

If you are unhappy with the product and wish to return it, please following the retailer's return procedure

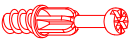


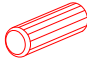
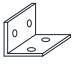
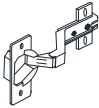

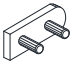
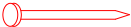






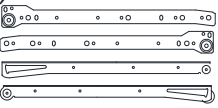




Components - Fixings

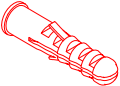

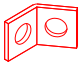


Please check that you have all the components listed below before constructing your item.

Note: The quantities below are the correct amount to complete the assembly. In some cases more fittings may be supplied than are required.

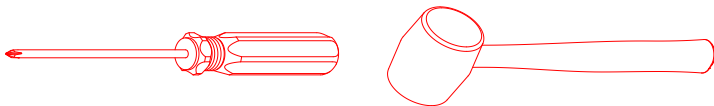
HARDWARE

(A)  MINIFIX 16MM X 32	(B)  MINICAM 16MM X 32	(C)  ALLEN KEY X 1	(D)  WOOD DOWEL 8 X 30 MM X 42	(E)  L-BRACKET PLASTIC X 4
(F)  HINGES SJ09V-085 7/8"(H4) X 6	(G)  NAIL LEG 5/8 X 6	(H)  DRAWER STOPPER X 1	(I)  NAIL X 30	(J)  PAN HEAD 3.5 X 16MM X 4
(K)  CAP WOOD SCREW M6 X 50 MM X 4	(L)  CROOME PIPE 756MM X 1	(M)  V TOP X 2	(N)  CSK M4 X 38 MM X 8	(O)  CSK M3.5 X 16 MM X 40
(P)  DRAWER SLIDE 300mm X 2	(Q)  CSK M3.5 X 12MM X 8	(R)  CSK M3 X 12MM X 20		

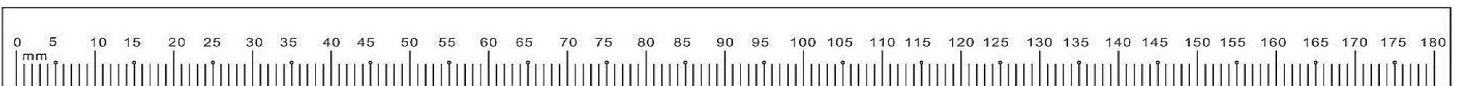
ANTI - TIPPING KITS

(S)  WALL PLUG X 1	(T)  CABLE TIE - WHITE X 1	(U)  V-BRACKET X 2	(V)  6 X 1 - 1/2 WHITE (CW SCREW) X 1	(W)  SCREW # 6 X 5/8 " (PAN + TAPPING) X 1
---	--	---	---	--

Tools Required (Not Provided)



Ruler - Use this to measure your screws (mm)

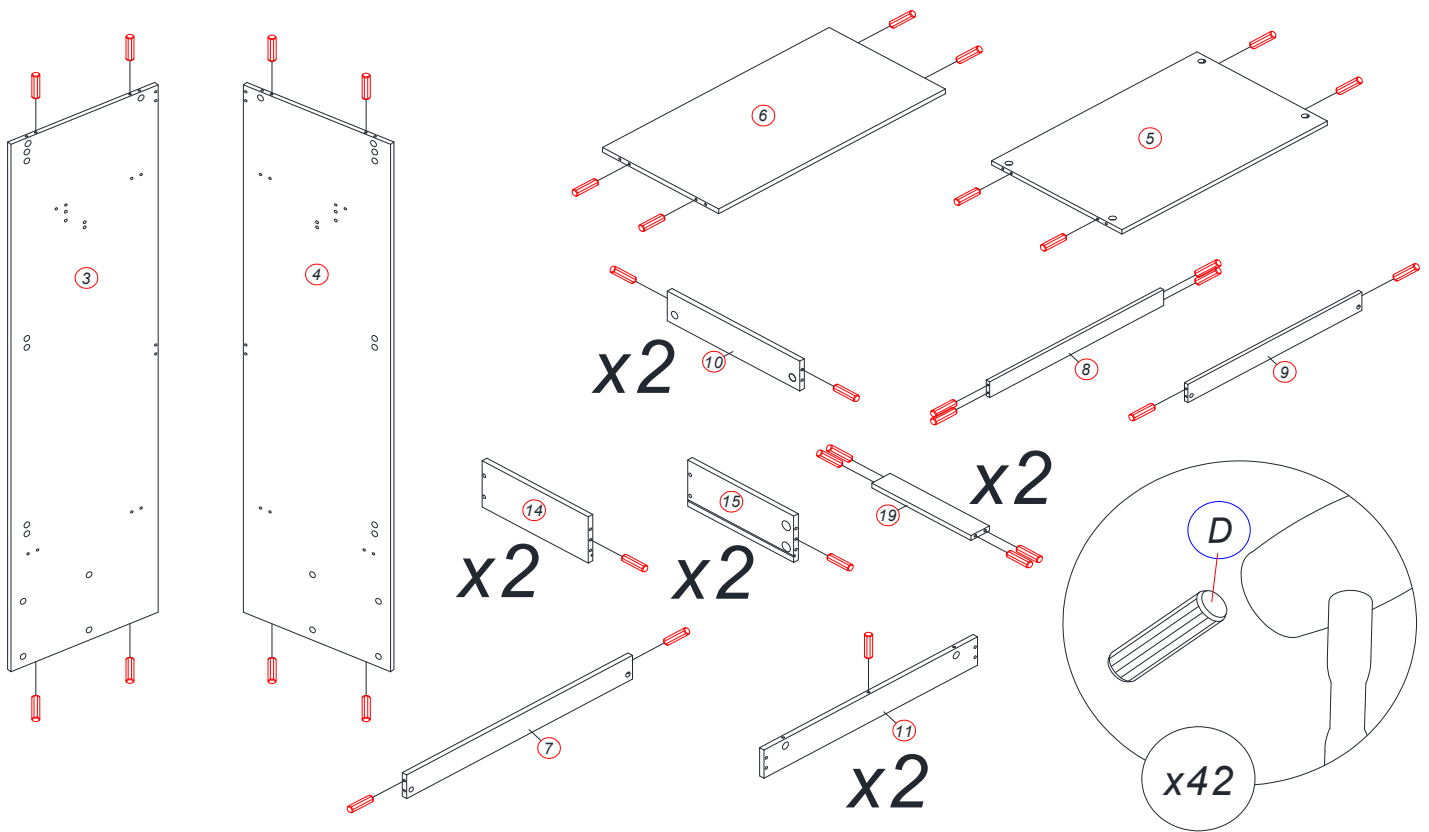


Important-Please read these instructions fully before starting assembly

Assembly Instructions

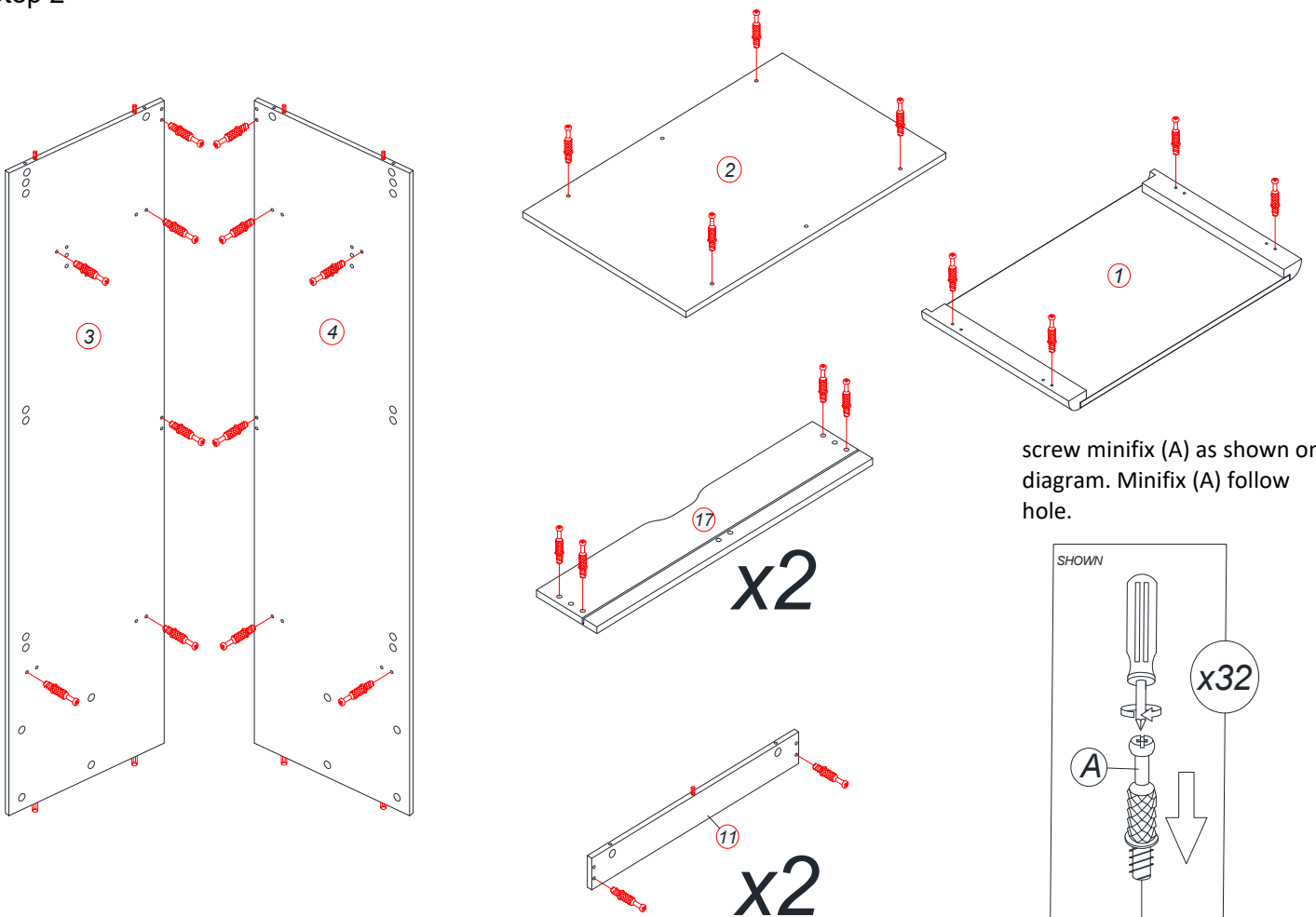
Step 1

Insert dowel (D) to parts as shown. Dowel (D) follow hole.

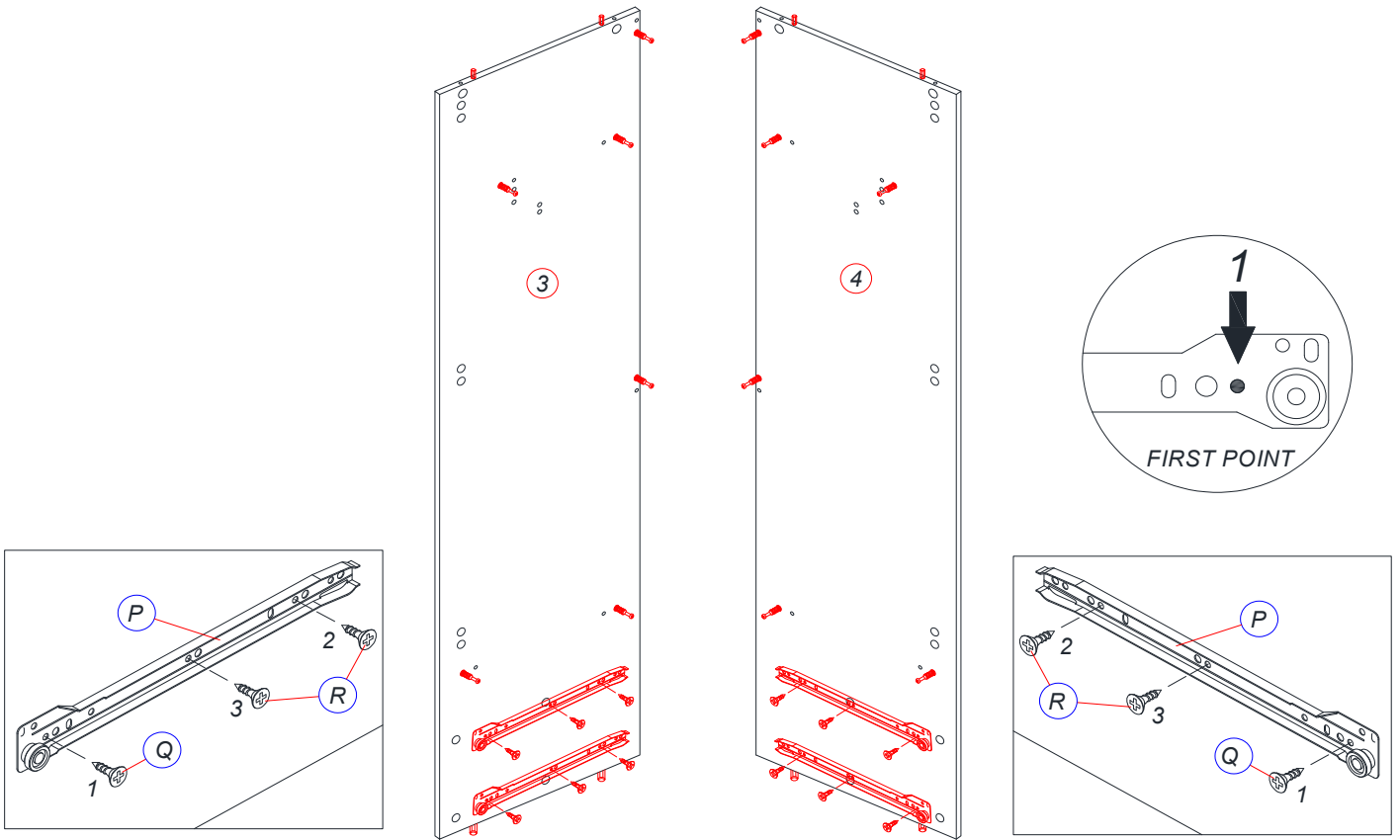


Step 2

screw minifix (A) as shown on diagram. Minifix (A) follow hole.

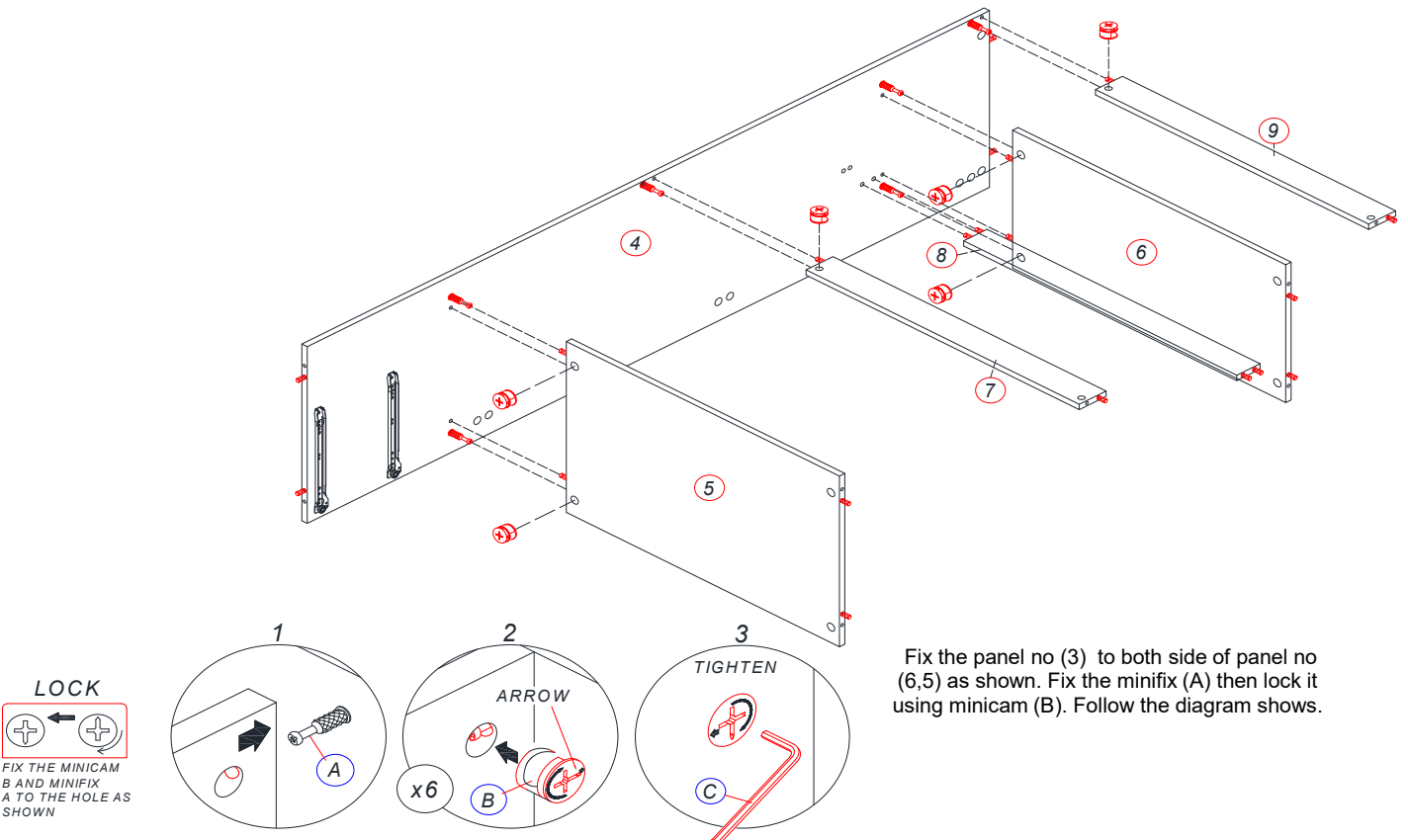


Step 3



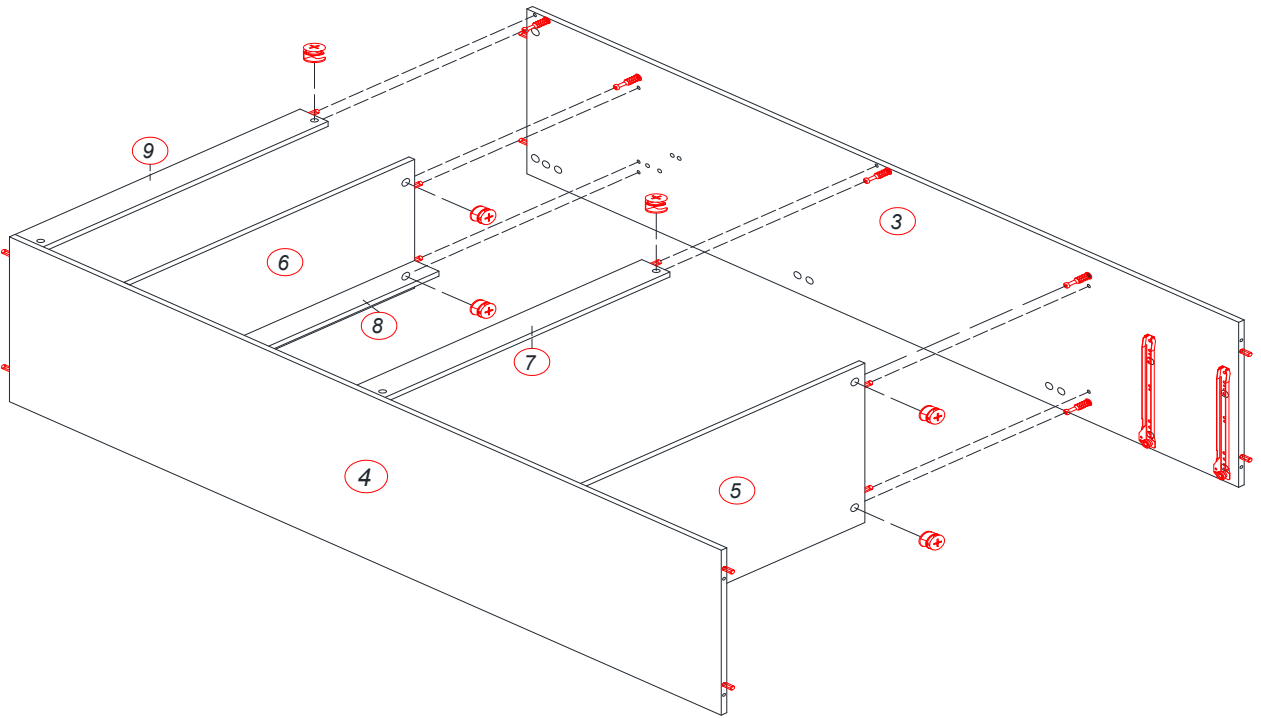
1b. Follow the hole as shown on diagram and screw drawer slide (P) to panel number (4) with screw (R&Q) as shown. Repeat on the side panel (3) with drawer slide (P) with the same instruction.

Step 4



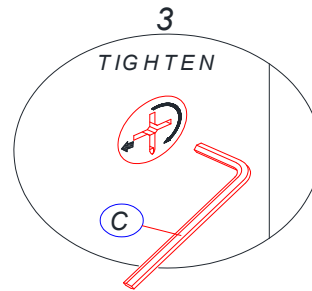
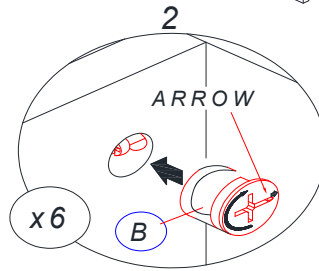
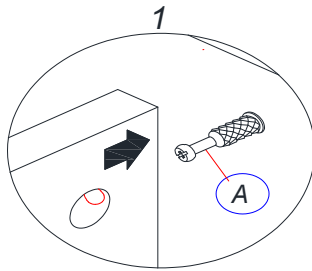
Fix the panel no (3) to both side of panel no (6,5) as shown. Fix the minifix (A) then lock it using minicam (B). Follow the diagram shows.

Step 5

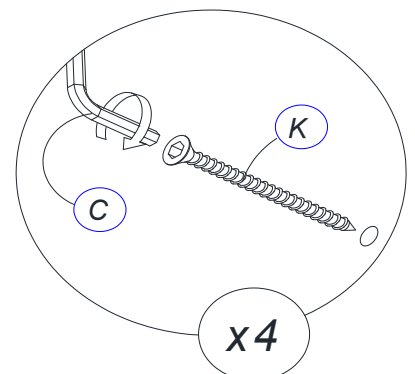
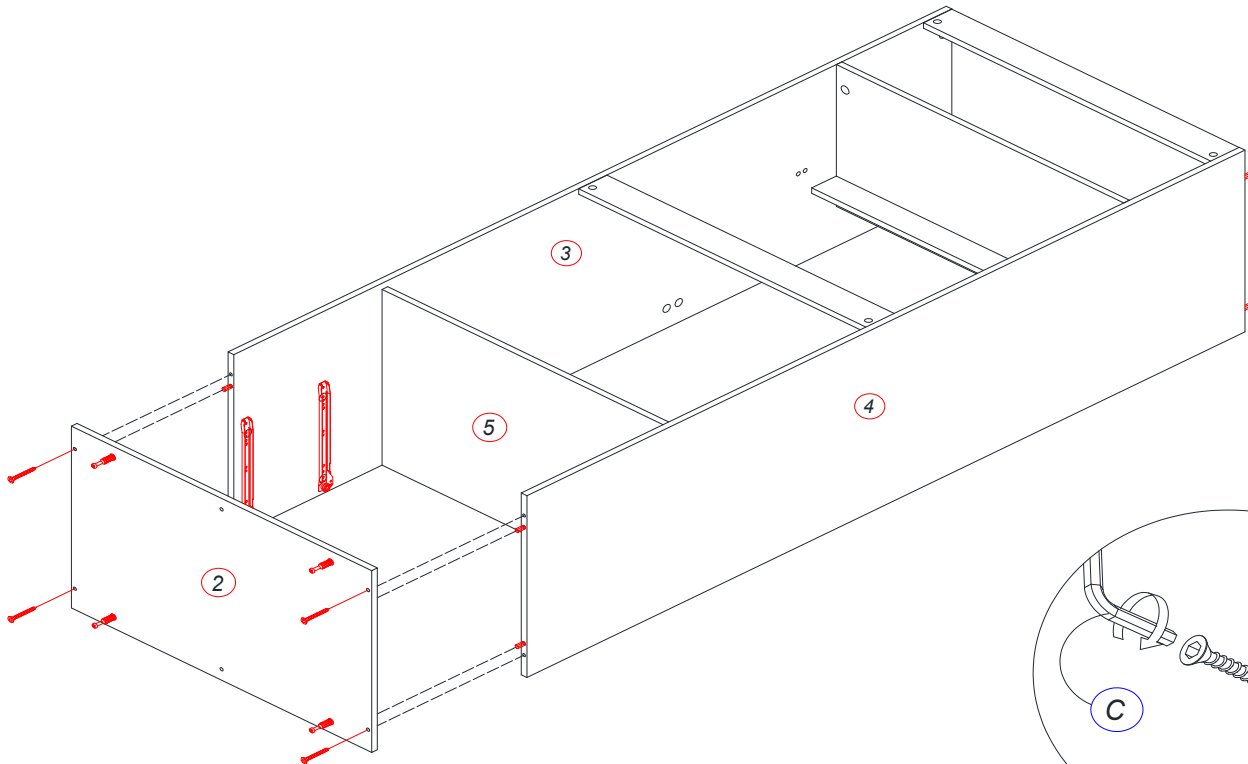


LOCK

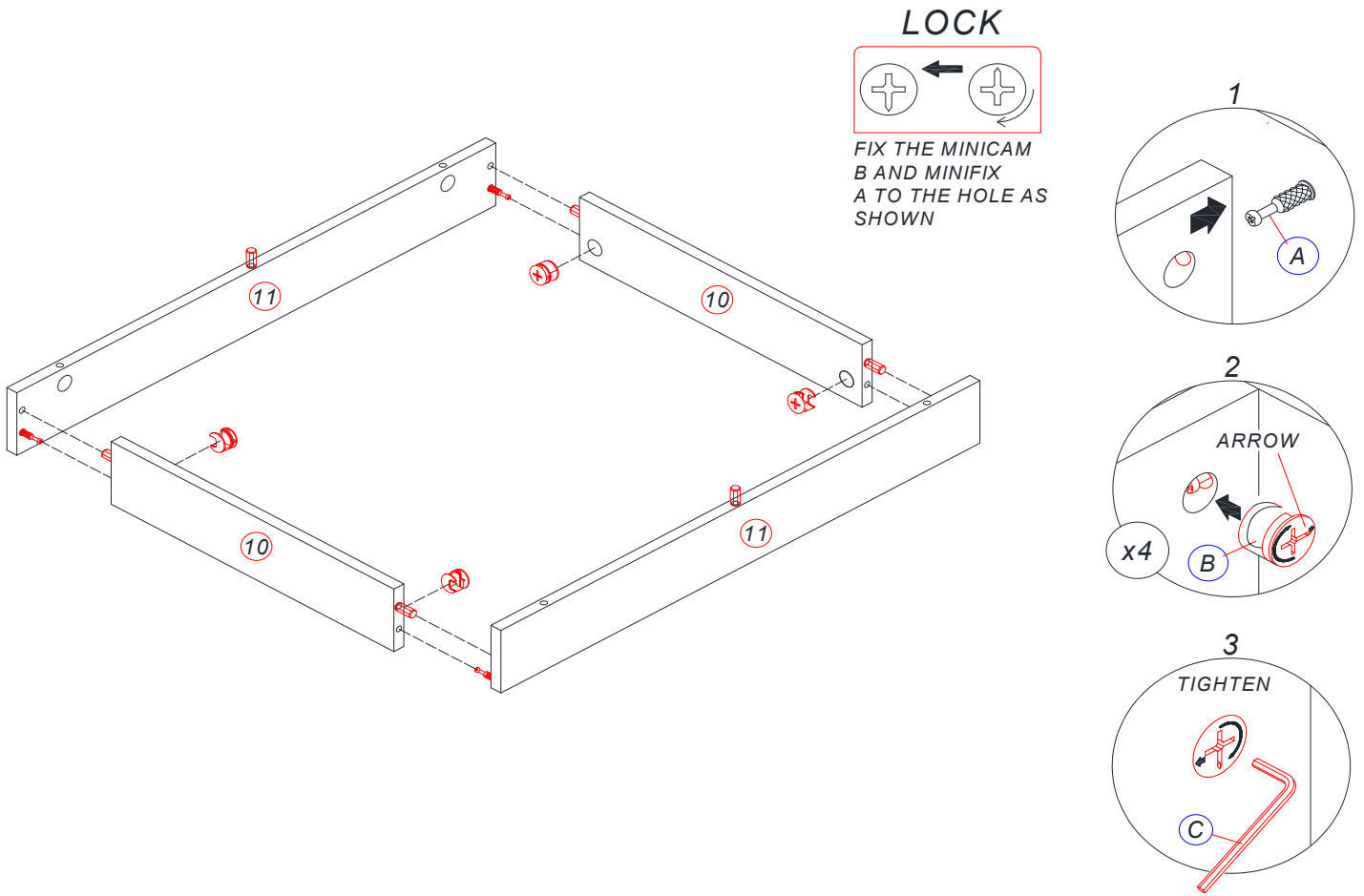
FIX THE MINICAM
B AND MINIFIX
A TO THE HOLE AS
SHOWN



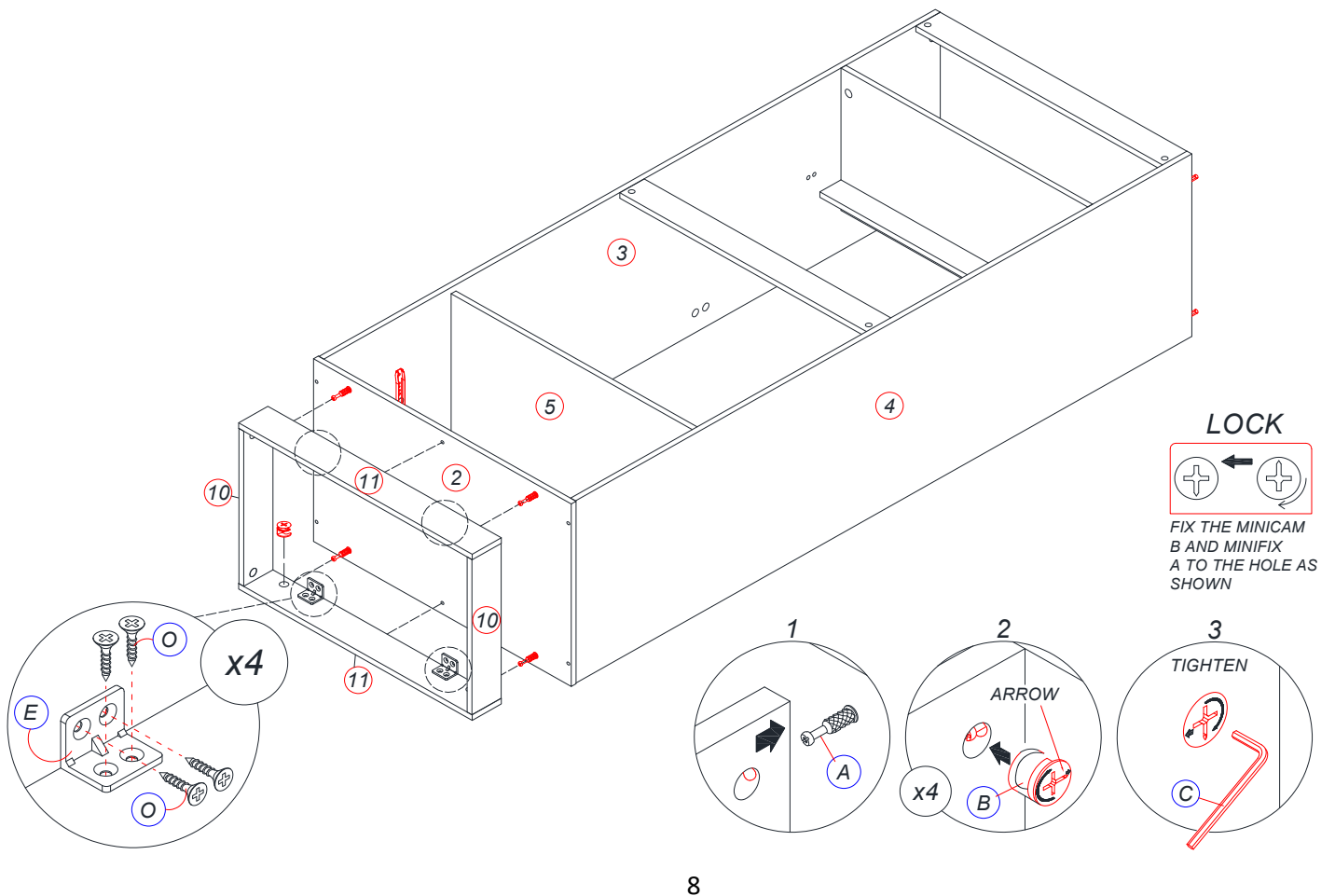
Step 6



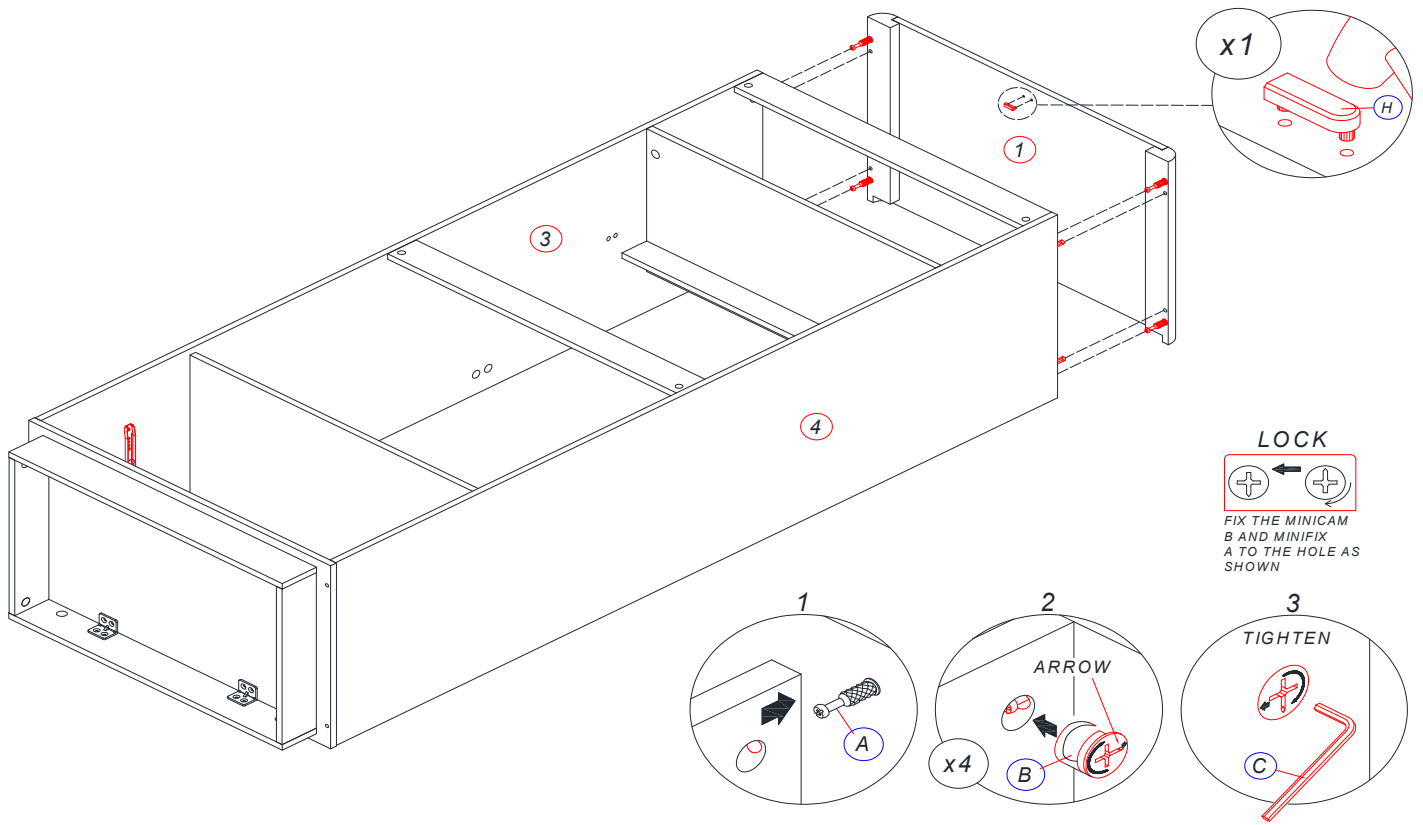
Step 7



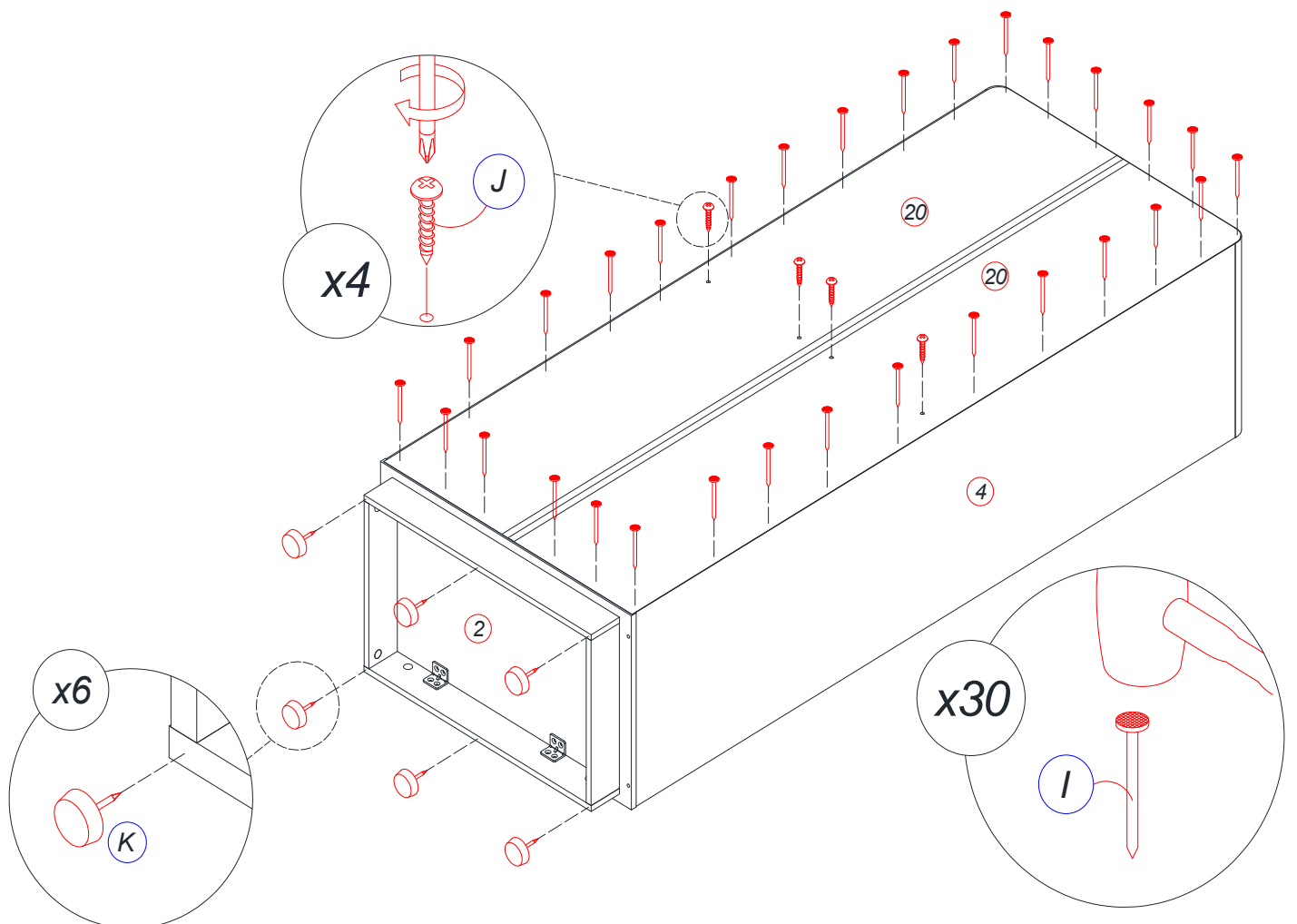
Step 8



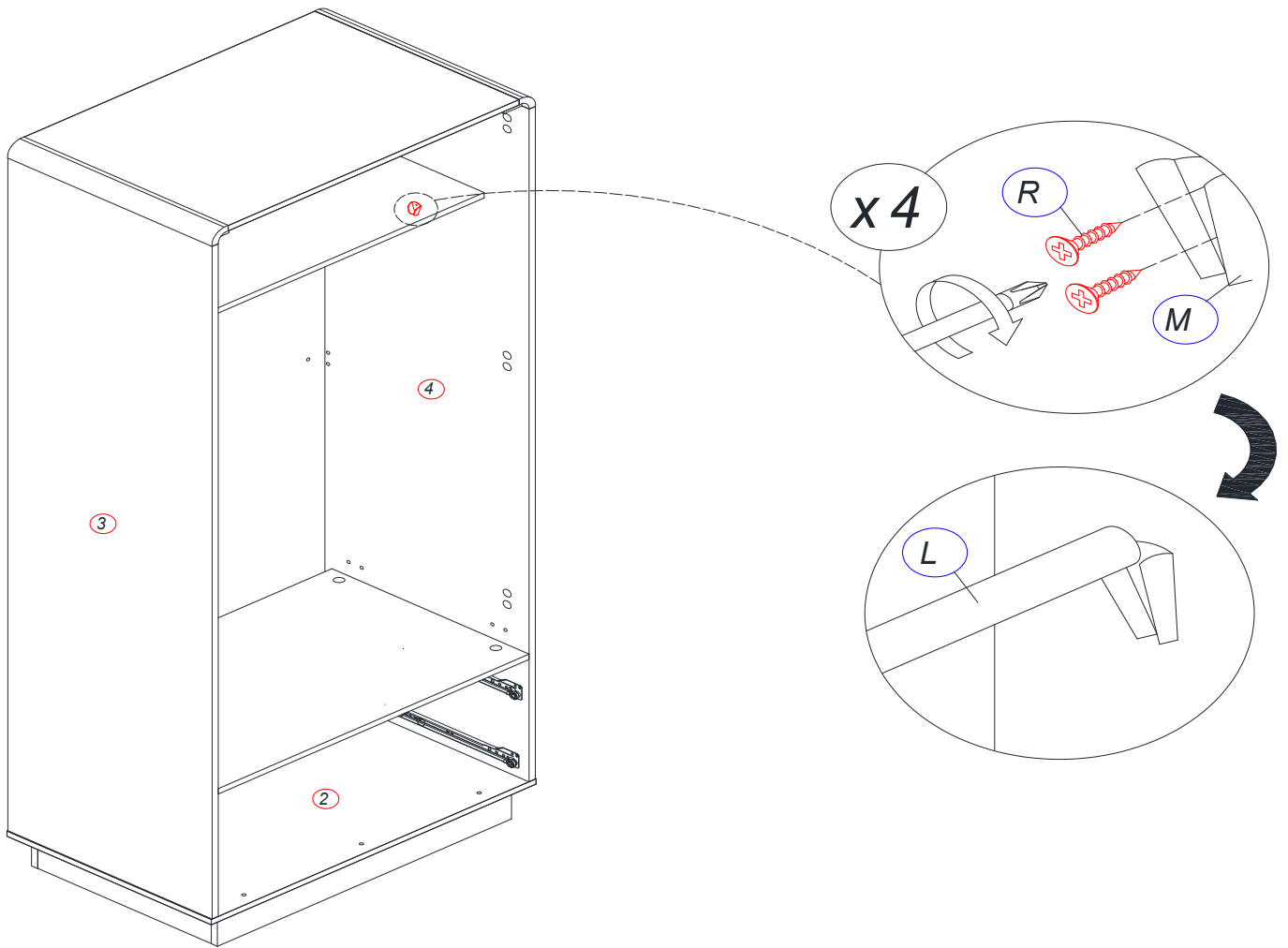
Step 9



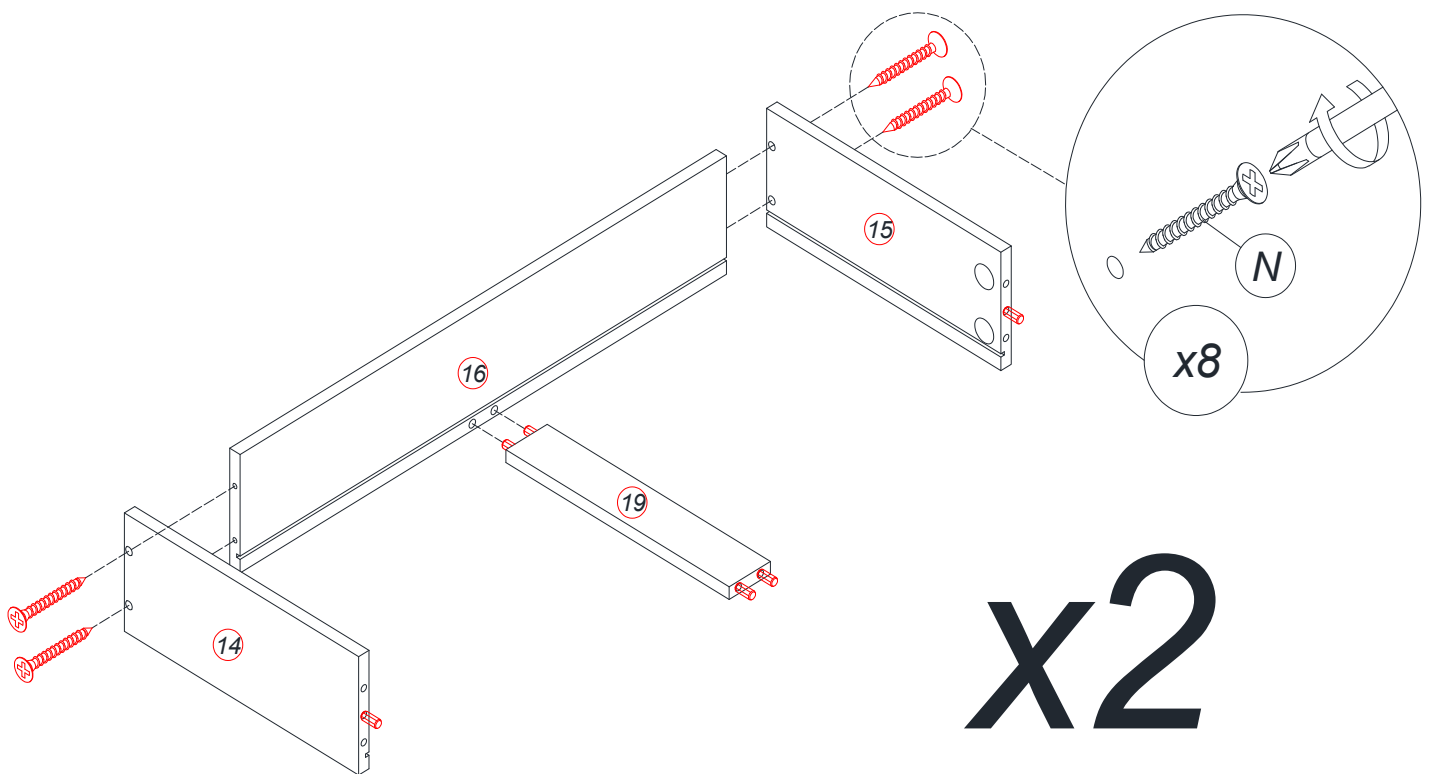
Step 10



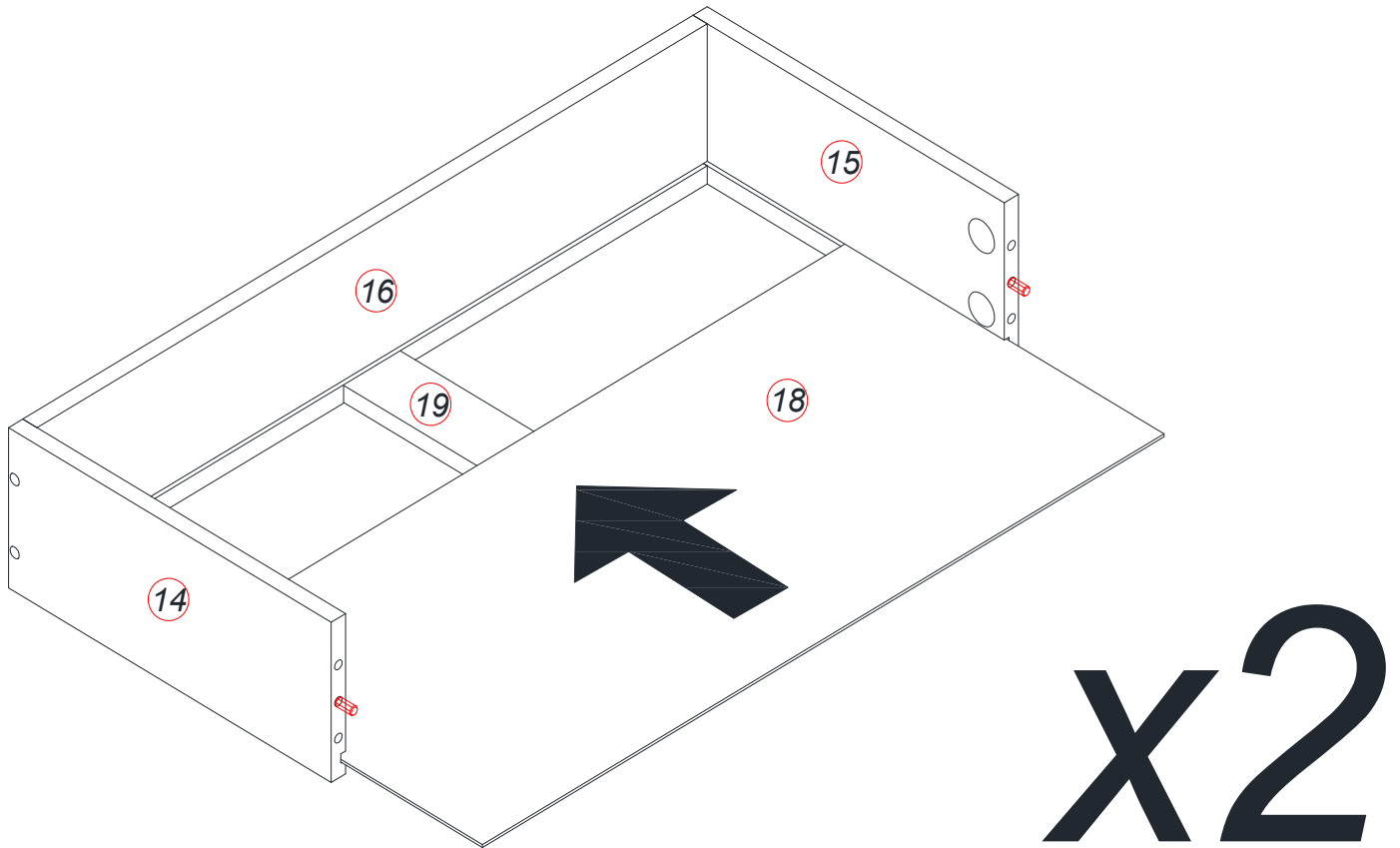
Step 11



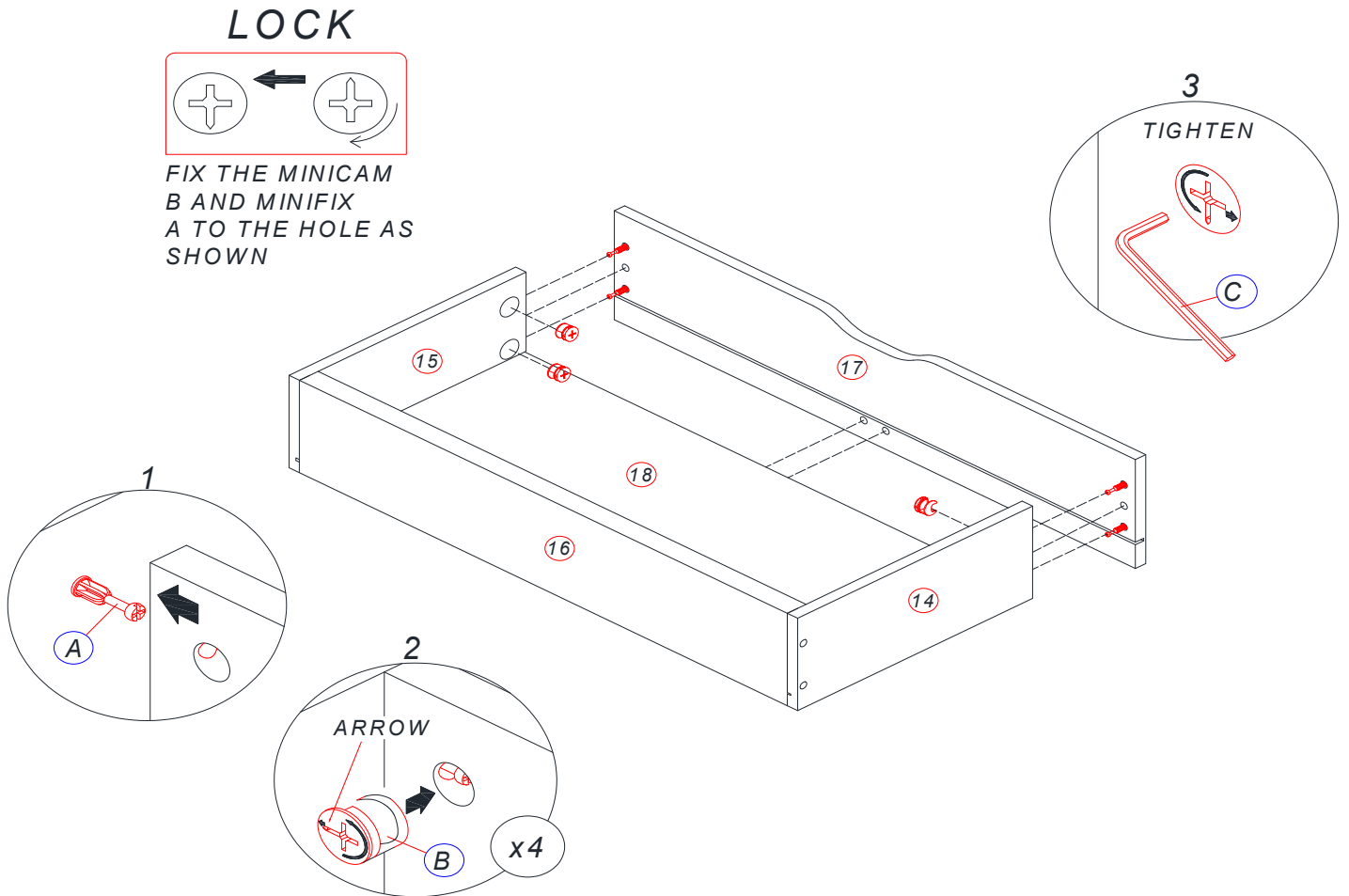
Step 12



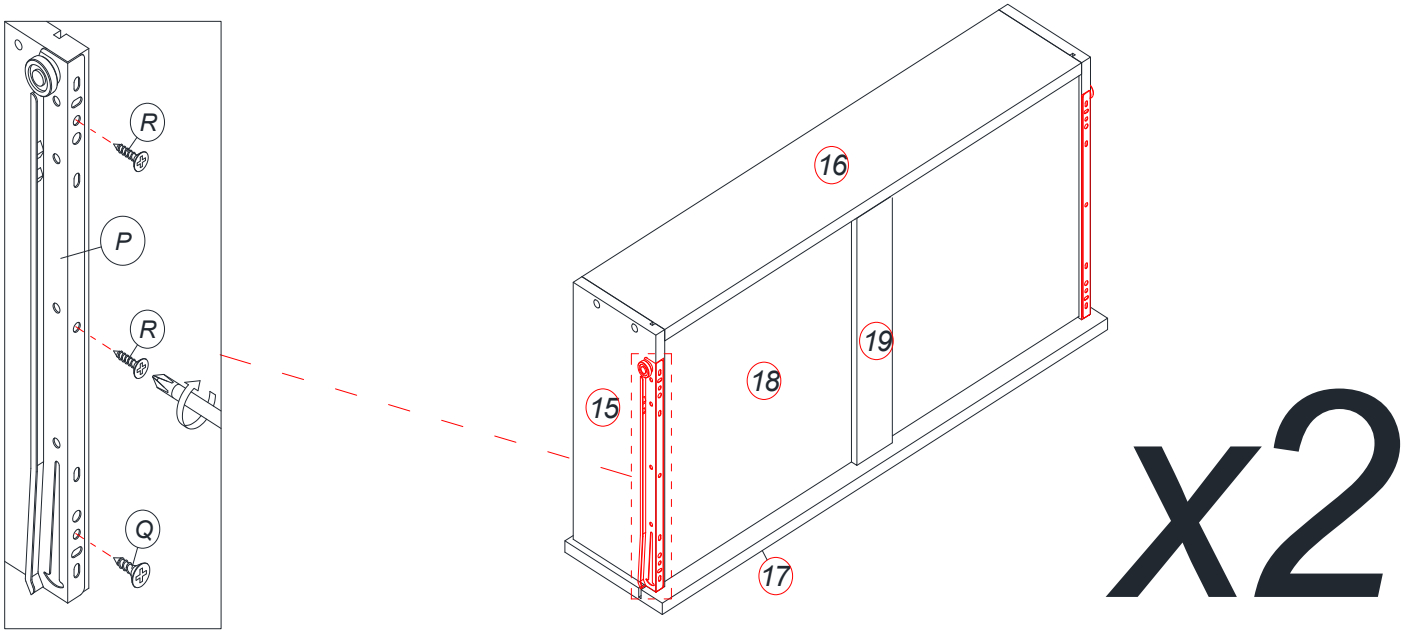
Step 13



Step 14

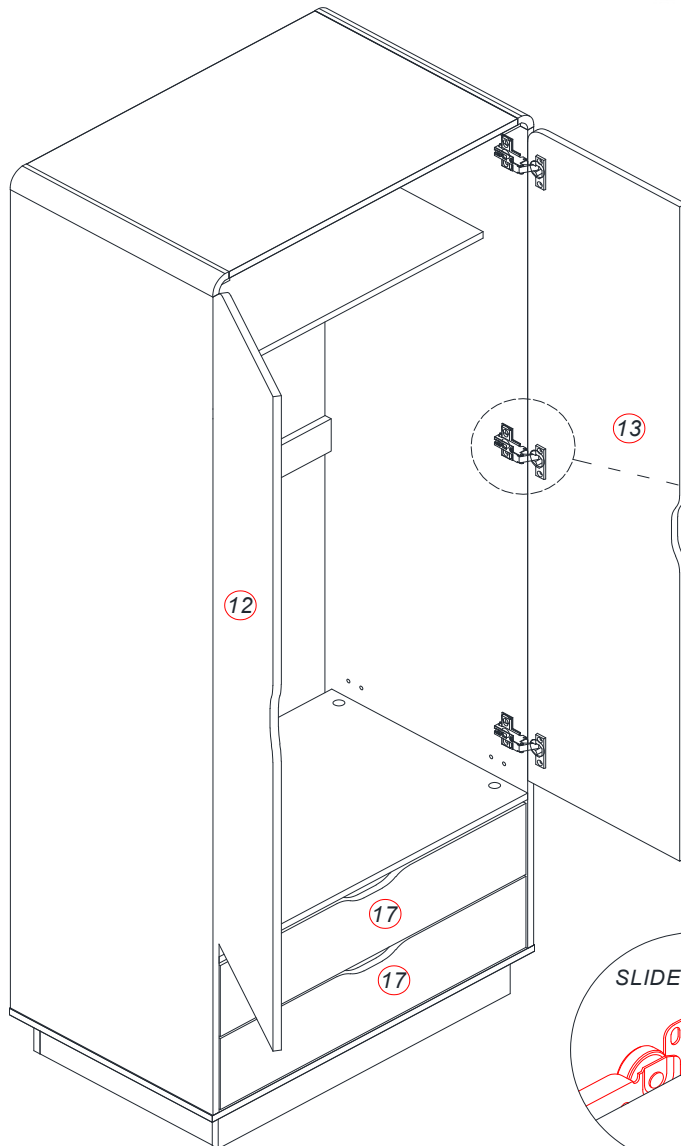
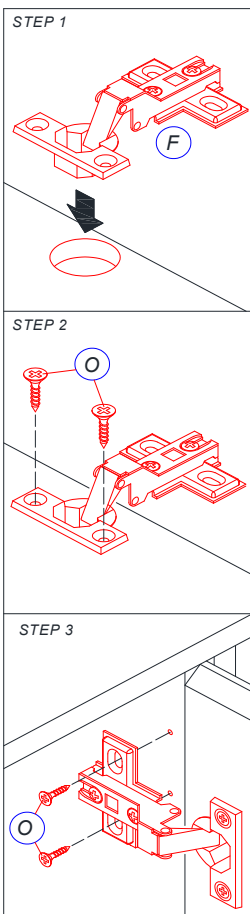


Step 15



Step 16

Assembly Complete



- i) ADJUST FOR BALANCE LEFT & RIGHT.
- ii) ADJUST FOR UP & DOWN.
- iii) ADJUST UNTIL BALANCE FOR FRONT & BACK.

