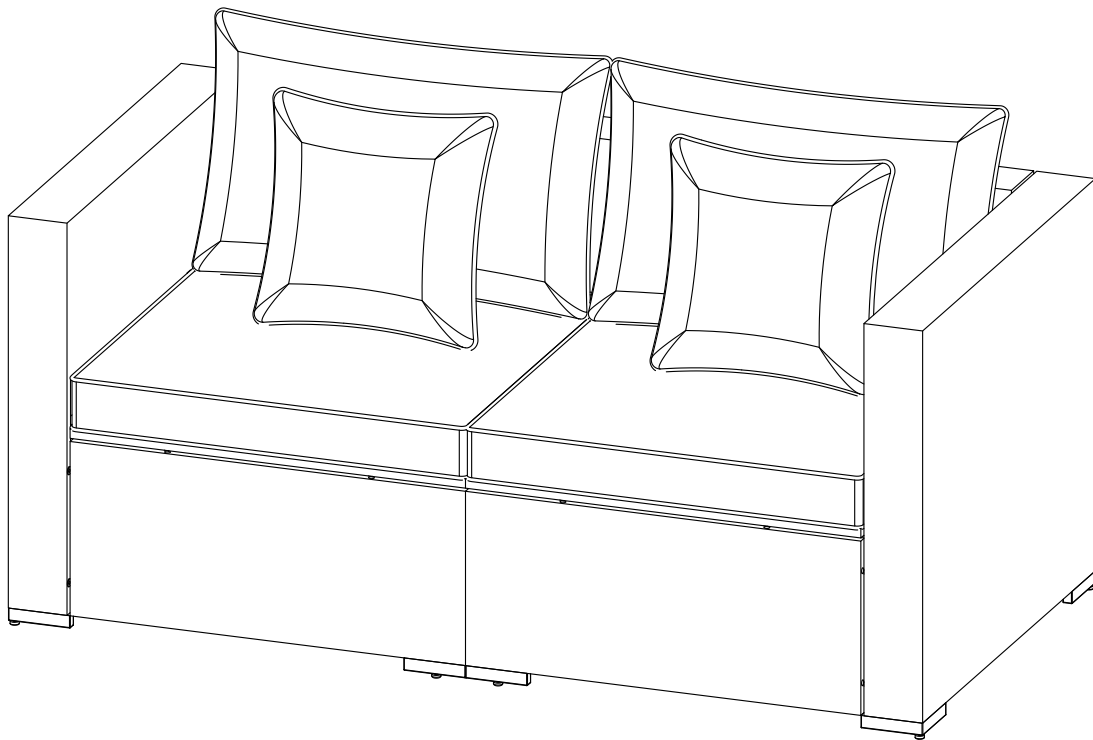


A Box

2PC CORNER SOFA



NOTICE:

Please keep these instructions for future reference.

Dear Customer

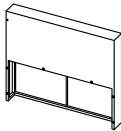
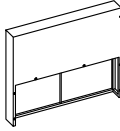
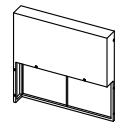
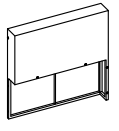
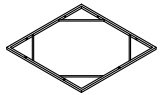
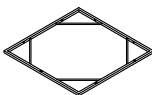
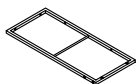
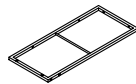
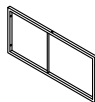
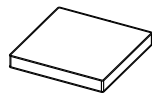
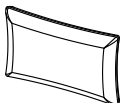

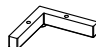

- Thank you for your purchase. when you receive the product, please make sure that all the parts are intact. Then follow the entire installation instructions to install!
- When installing, please be careful not to tighten the screws immediately! You need to make sure that all the screws are secured to 80%,then tighten them!
- In order to protect the rattan from harm. and the screw hole from grind, do not use the electric drill, please use the manual screwdriver in the hardware package!
- If problem occur unsatisfactorily as follows
 - A . The outer box is damaged
 - B . The product is damaged / bent / cracked while you open the box
 - C . The parts / accessories / assembly tools are missing
 - D . The instructions are not clear and can not be referred
 - E . The product has functional problems
 - F . Other aspects that you are not satisfied with

Please feel free to contact us for help. Our after-sales team service will reply within 24 hours and will do our best to resolve the problem for you.

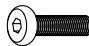


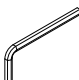
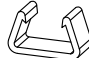

CARE INSTRUCTIONS:

- To clean the metal frame and weaving rattan ,wipe them with clean water.It is not recommended to clean products with a strong cleaner or an abrasive materials, it may discolor or damage the surface.

Parts List

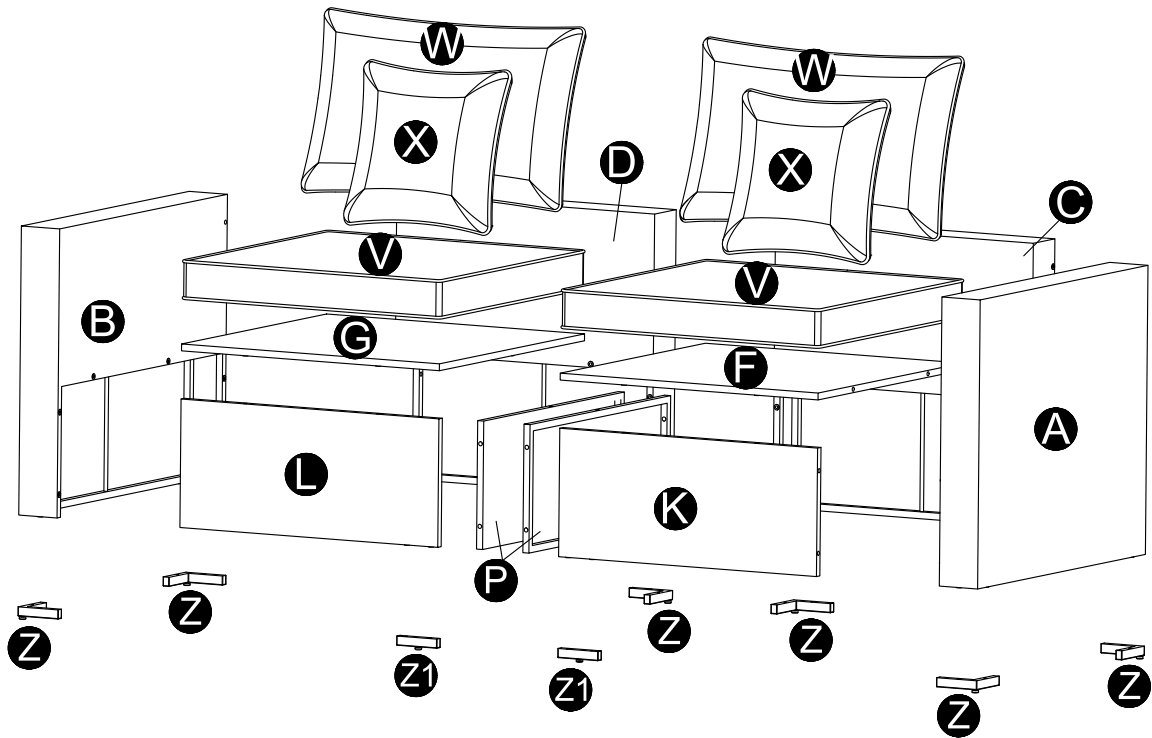
				
A 1PC	B 1PC	C 1PC	D 1PC	F 1PC
				
G 1PC	K 1PC	L 1PC	P 2PCS	V 2PCS
				
W 2PCS	X 2PCS	Z 6PCS	Z1 2PCS	




Hardware List

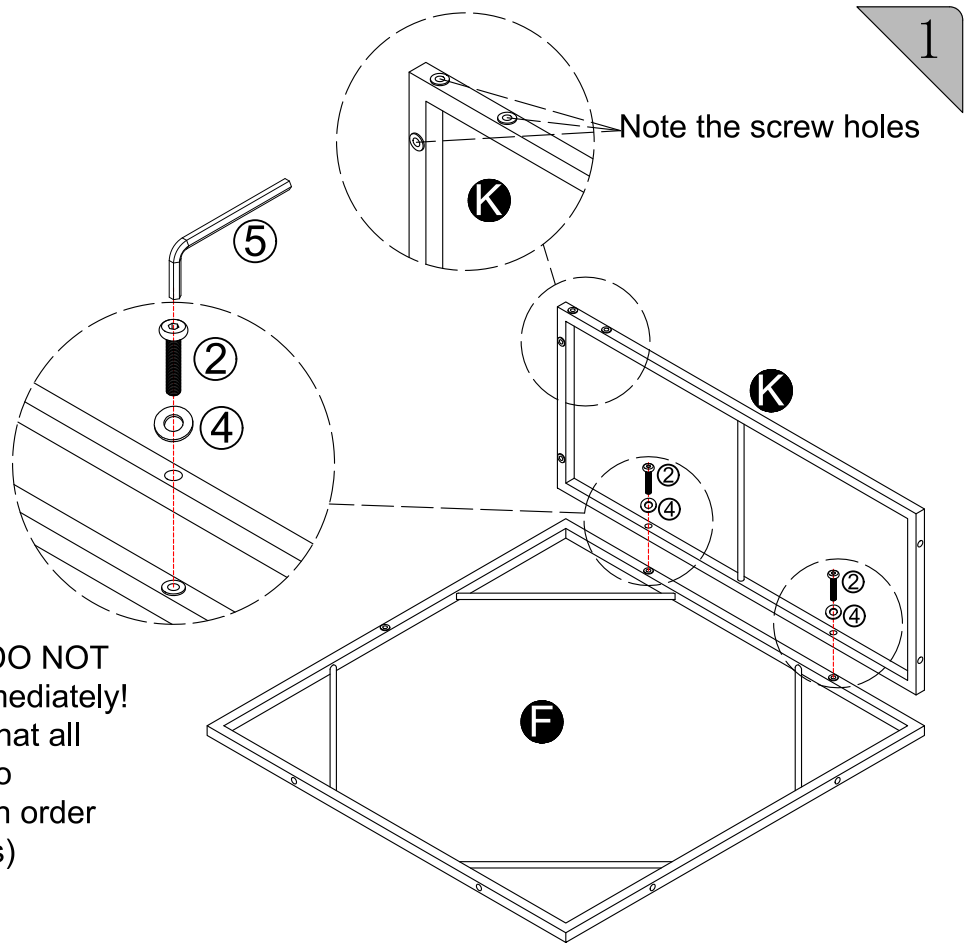
 M6*25mm	 M6*35mm	 Ø18*8mm		
1 16PCS	2 30PCS	4 30PCS	5 1PC	6 2PCS
 M6*35mm				
7 2PCS				



Before installation, please check that the parts are all included !








	M6*35mm
②	2 PCS
	∅18*8mm
④	2 PCS
	
⑤	1 PC

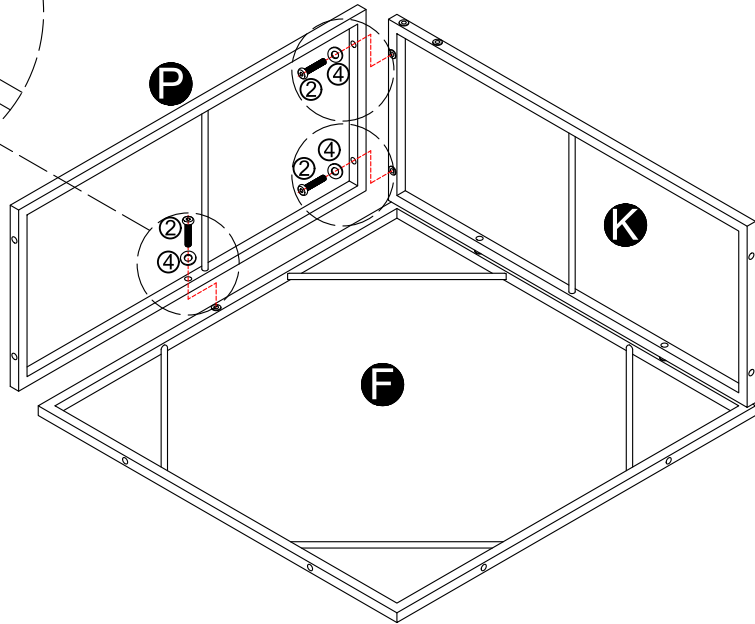
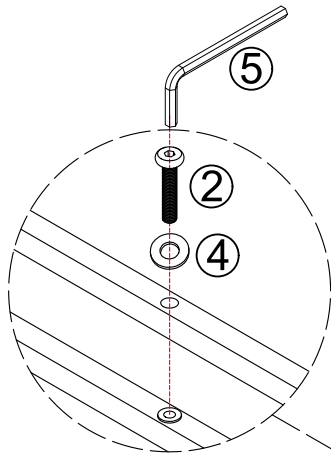


Notice!








When installing, please **DO NOT** to tighten the screws immediately! You need to make sure that all the screws are secured to 80%, then tighten them! (In order to aim all the screw holes)


2

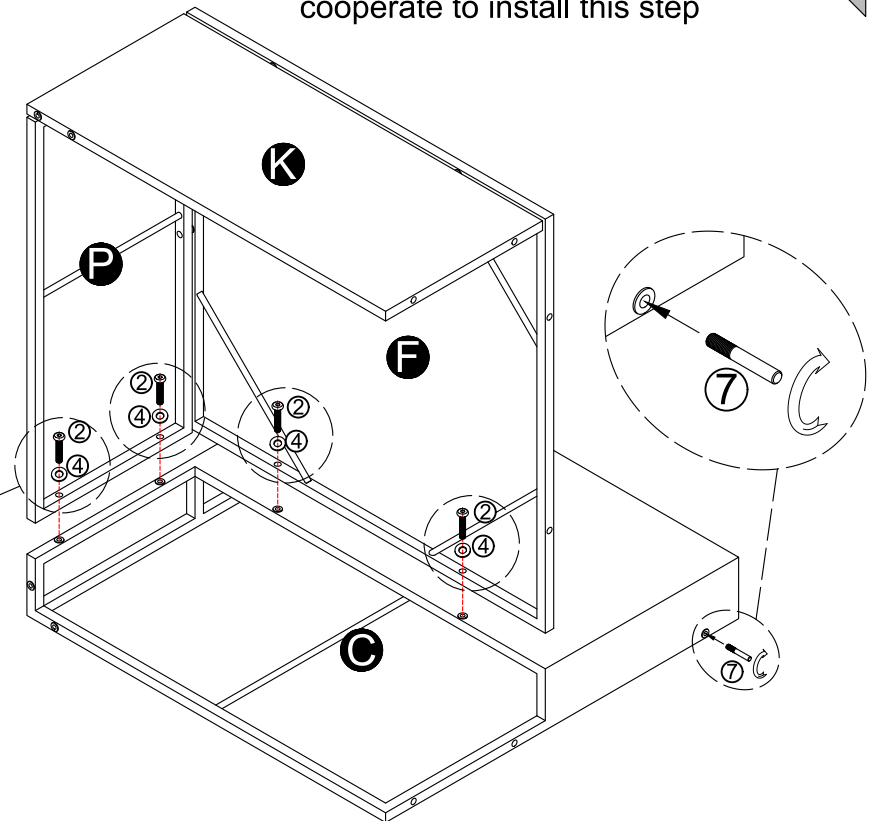
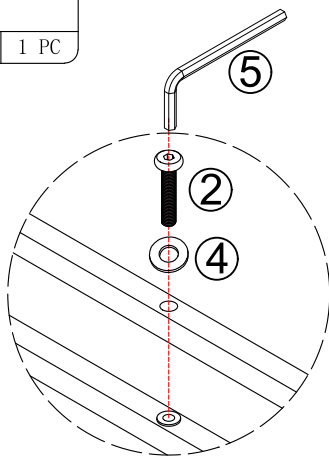
-  M6*35mm
-  2 | 3 PCS
-  $\phi 18*8mm$
-  4 | 3 PCS
-  5 | 1 PC






3

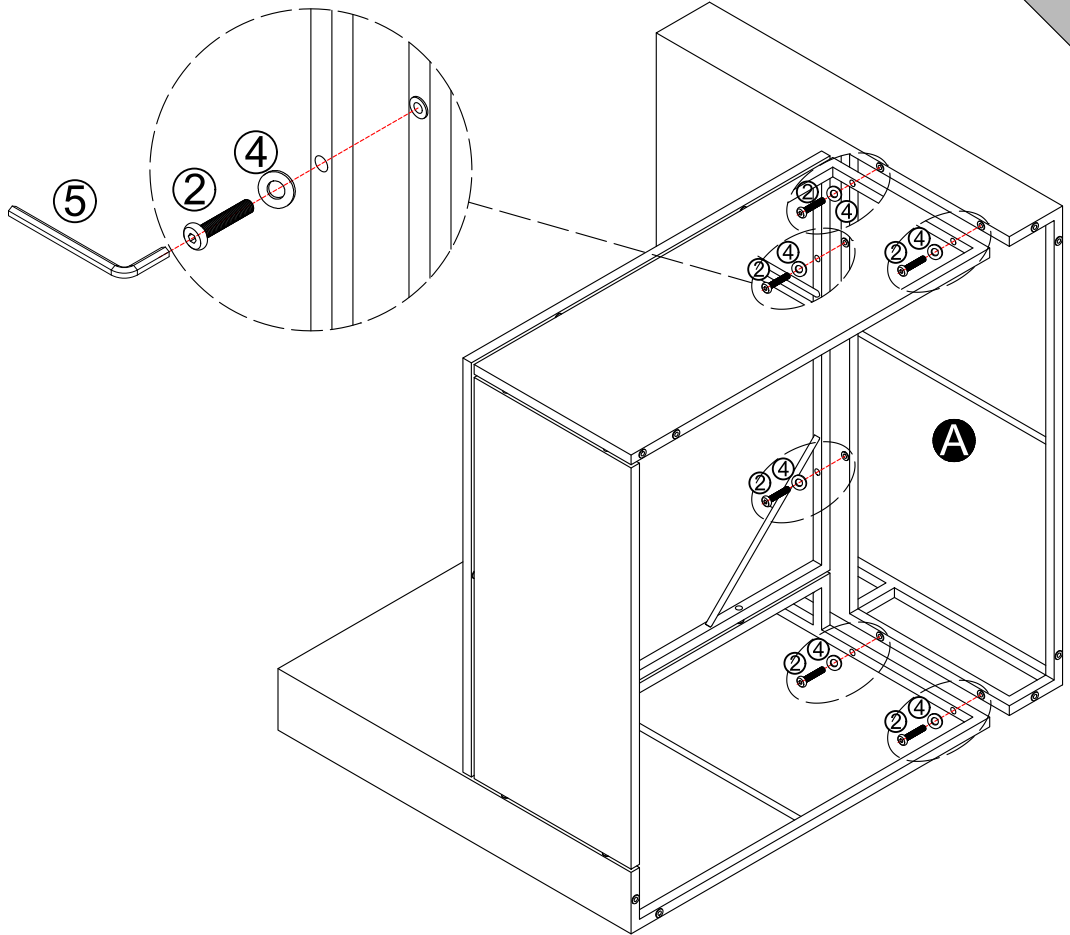
-  M6*35mm
-  2 | 4 PCS
-  $\phi 18*8mm$
-  4 | 4 PCS
-  5 | 1 PC
-  M6*35mm
-  7 | 1 PC

 It is recommended that two people cooperate to install this step





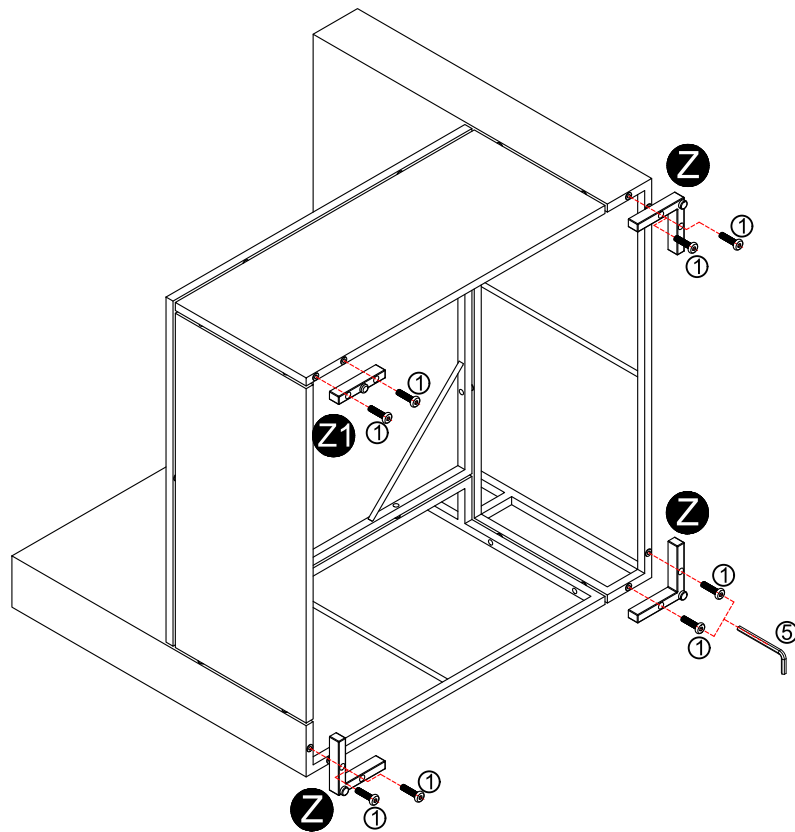
4

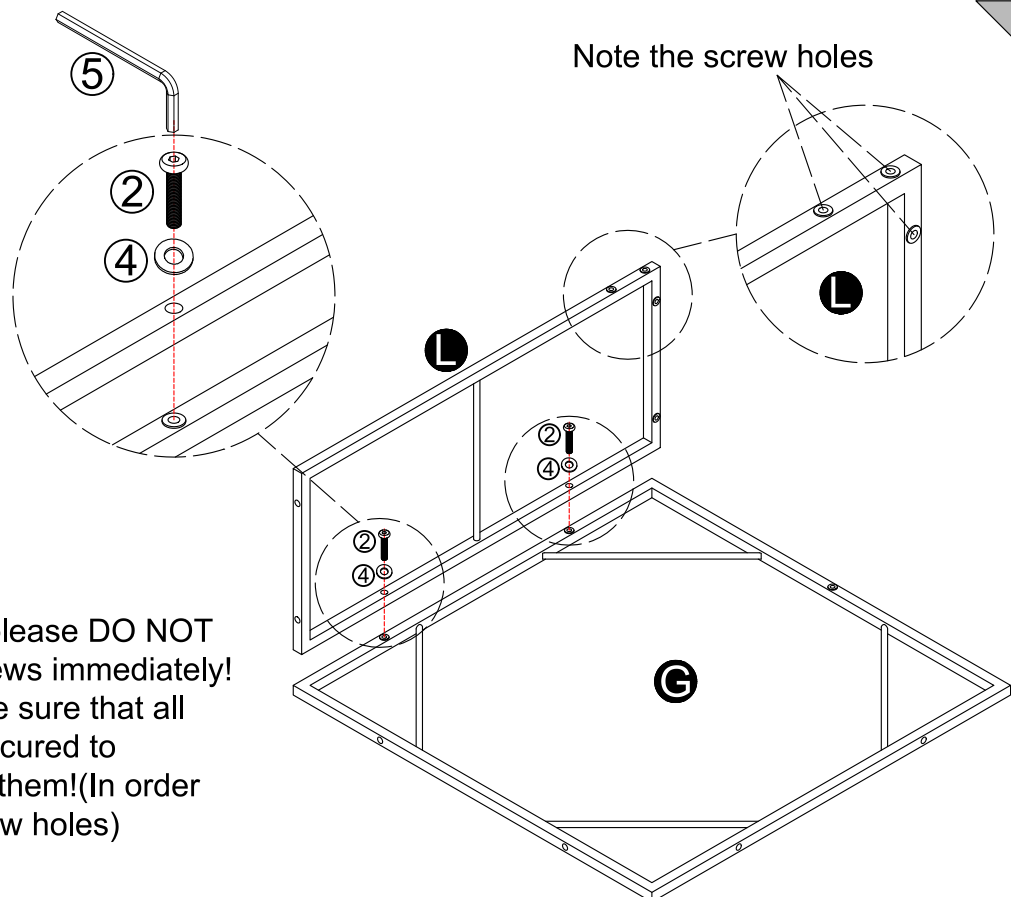
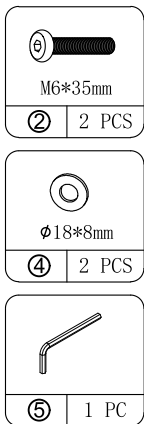
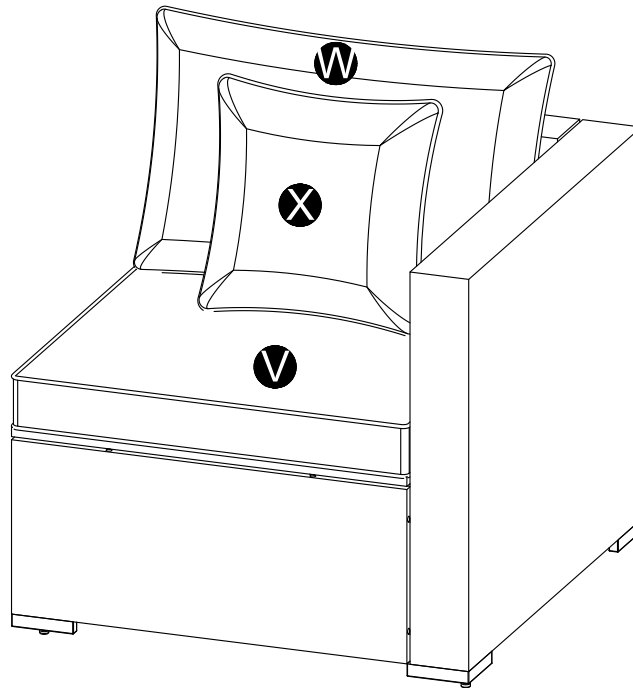
-  M6*35mm
- ②** 6 PCS
-  $\phi 18*8mm$
- ④** 6 PCS
-  **⑤** 1 PC



5

-  M6*25mm
- ①** 8 PCS
-  **⑤** 1 PC









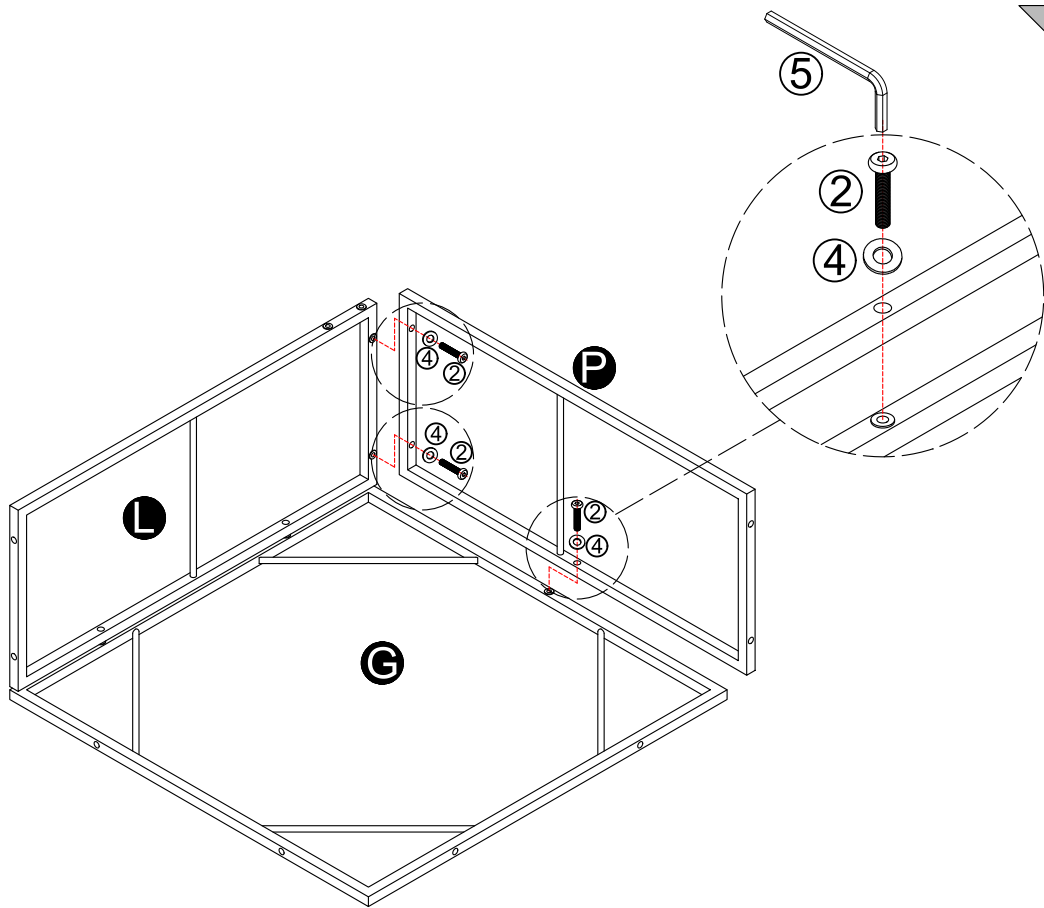


⚠ Notice!


When installing, please DO NOT to tighten the screws immediately!
 You need to make sure that all the screws are secured to 80%,then tighten them!(In order to aim all the screw holes)







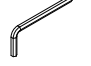

8

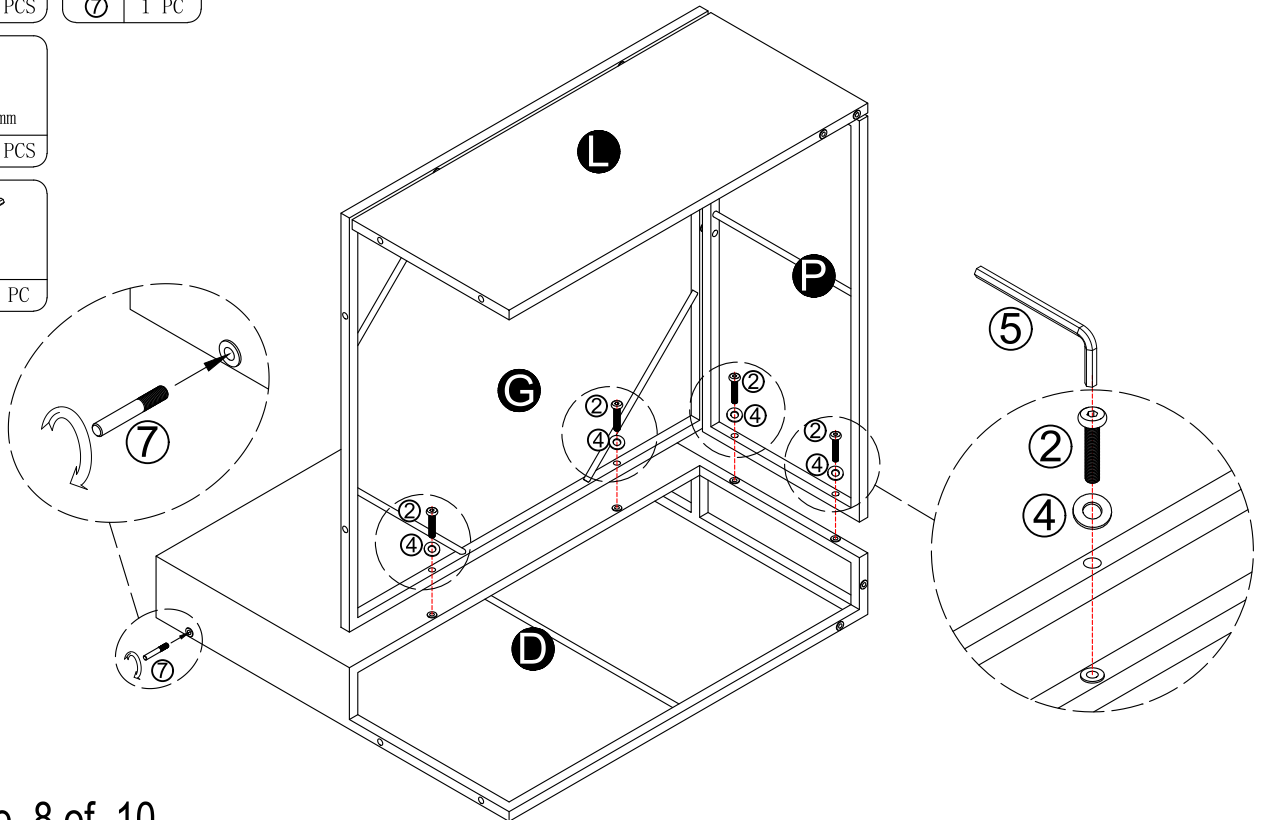
-  M6*35mm
-  3 PCS
-  $\phi 18*8mm$
-  3 PCS
-  5
-  1 PC








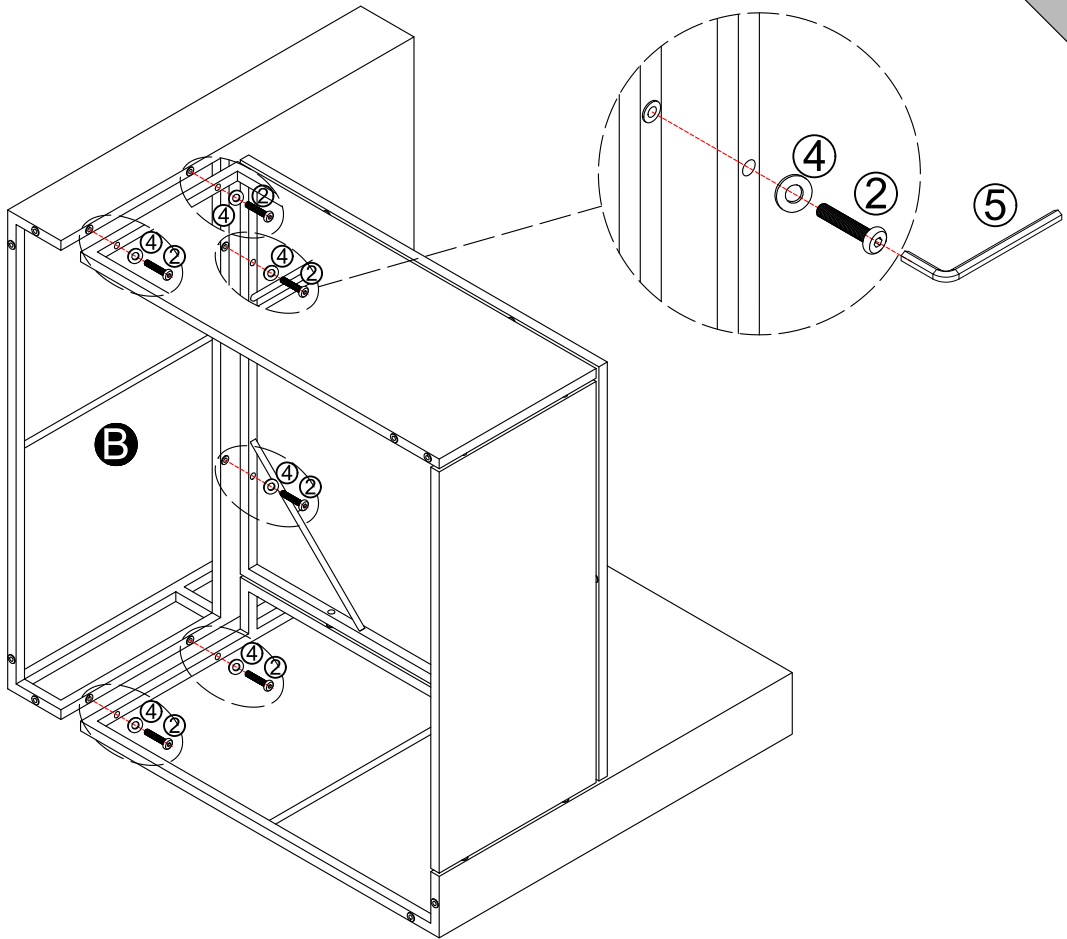
9




 It is recommended that two people cooperate to install this step

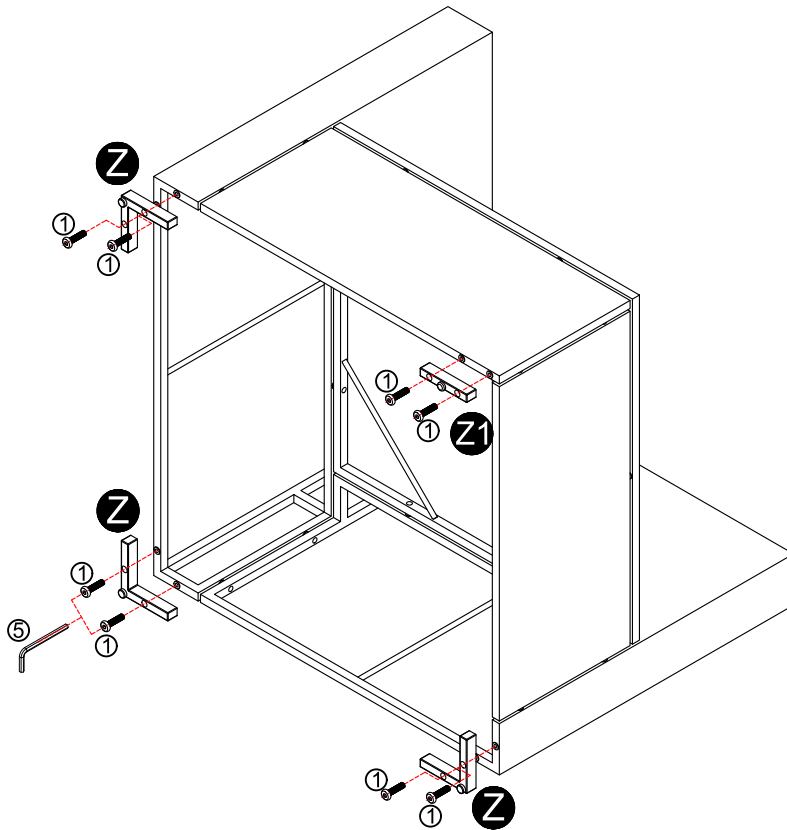
-  M6*35mm
-  4 PCS
-  M6*35mm
-  1 PC
-  $\phi 18*8mm$
-  4 PCS
-  5
-  1 PC

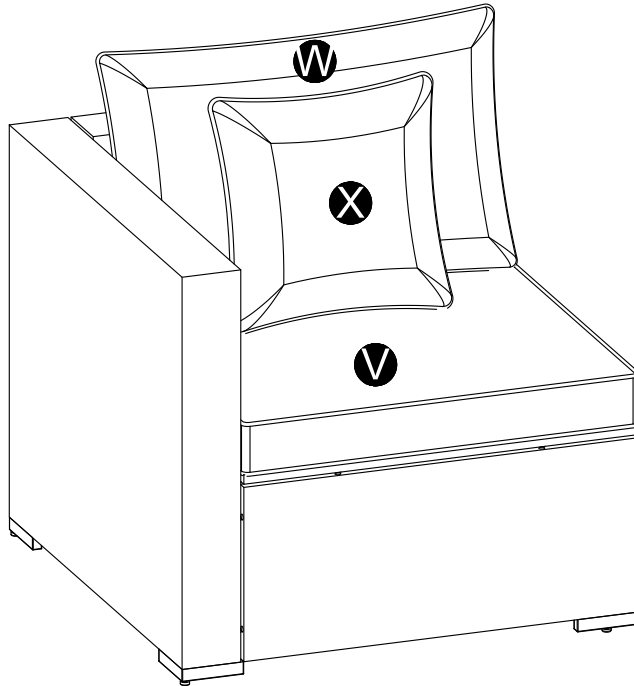


-  M6*35mm
-  2 | 6 PCS
-  $\phi 18*8mm$
-  4 | 6 PCS
-  5 | 1 PC

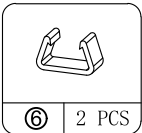


-  M6*25mm
-  1 | 8 PCS
-  5 | 1 PC

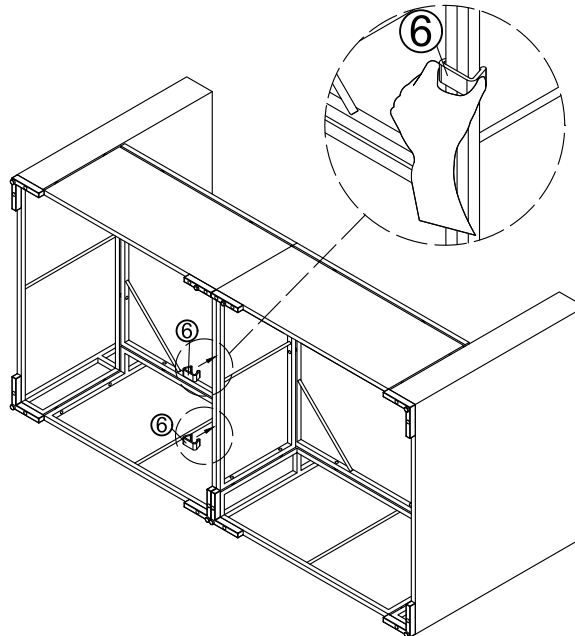
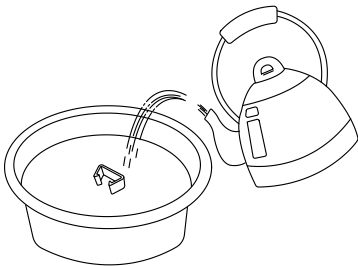




**The installation is complete.
Make sure ALL the screws are fully tighten.**



Caution Hot

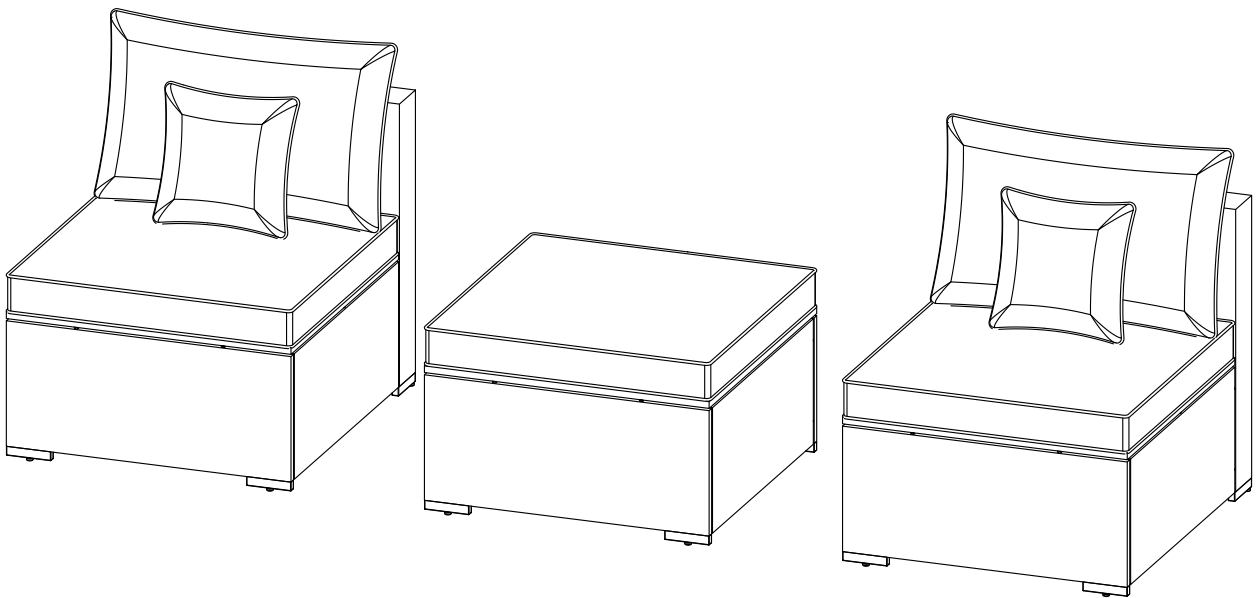


TIPS

1. In order to increase the toughness of the sofa fixed buckle, please soak it in hot water for 10 minutes before use.
2. When in use, first to snap one side of the buckle into the metal frame and then force the other side into all the frame.
3. You can freely to make a variety of combinations using the above methods.

B Box

2PC SINGLE SOFA & Ottoman



NOTICE:

Please keep these instructions for future reference.

Dear Customer

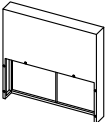
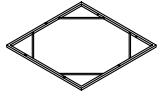
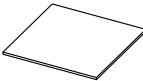
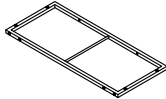
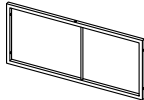
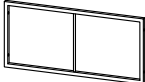
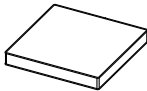
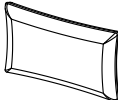

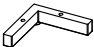

- Thank you for your purchase. when you receive the product, please make sure that all the parts are intact. Then follow the entire installation instructions to install!
- When installing, please be careful not to tighten the screws immediately! You need to make sure that all the screws are secured to 80%,then tighten them!
- In order to protect the rattan from harm. and the screw hole from grind, do not use the electric drill, please use the manual screwdriver in the hardware package!
- If problem occur unsatisfactorily as follows
 - A . The outer box is damaged
 - B . The product is damaged / bent / cracked while you open the box
 - C . The parts / accessories / assembly tools are missing
 - D . The instructions are not clear and can not be referred
 - E . The product has functional problems
 - F . Other aspects that you are not satisfied with

Please feel free to contact us for help. Our after-sales team service will reply within 24 hours and will do our best to resolve the problem for you.

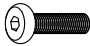


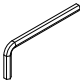
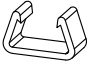
CARE INSTRUCTIONS:

- To clean the metal frame and weaving rattan ,wipe them with clean water.It is not recommended to clean products with a strong cleaner or an abrasive materials, it may discolor or damage the surface.

Parts List

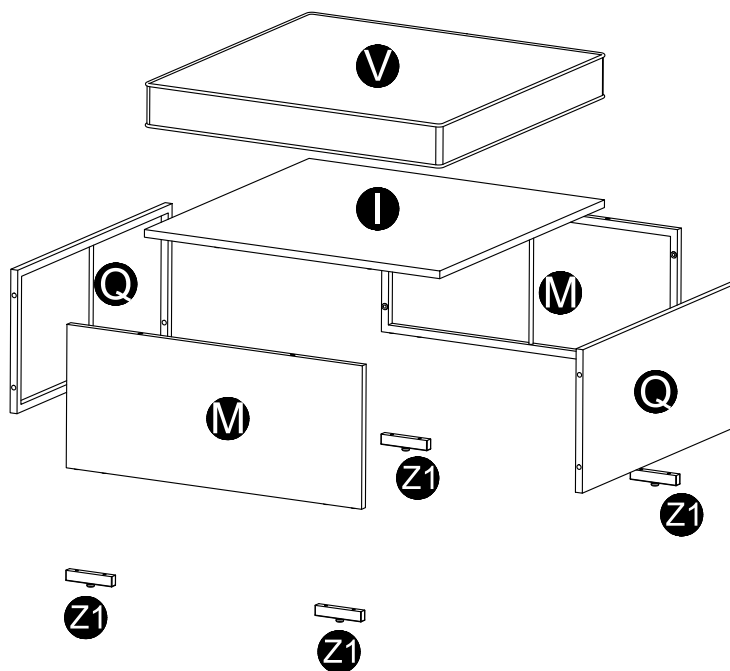
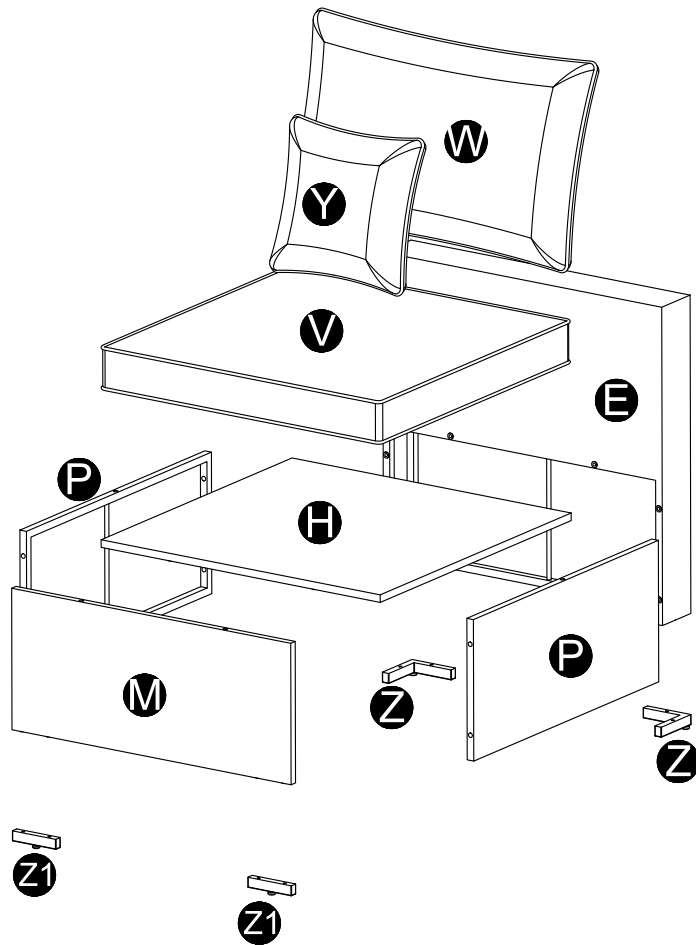
				
E 2PCS	H 2PCS	I 1PC	M 4PCS	P 4PCS
				
Q 2PCS	V 3PCS	W 2PCS	Y 2PCS	Z 4PCS
				
Z1 8PCS				

Hardware List

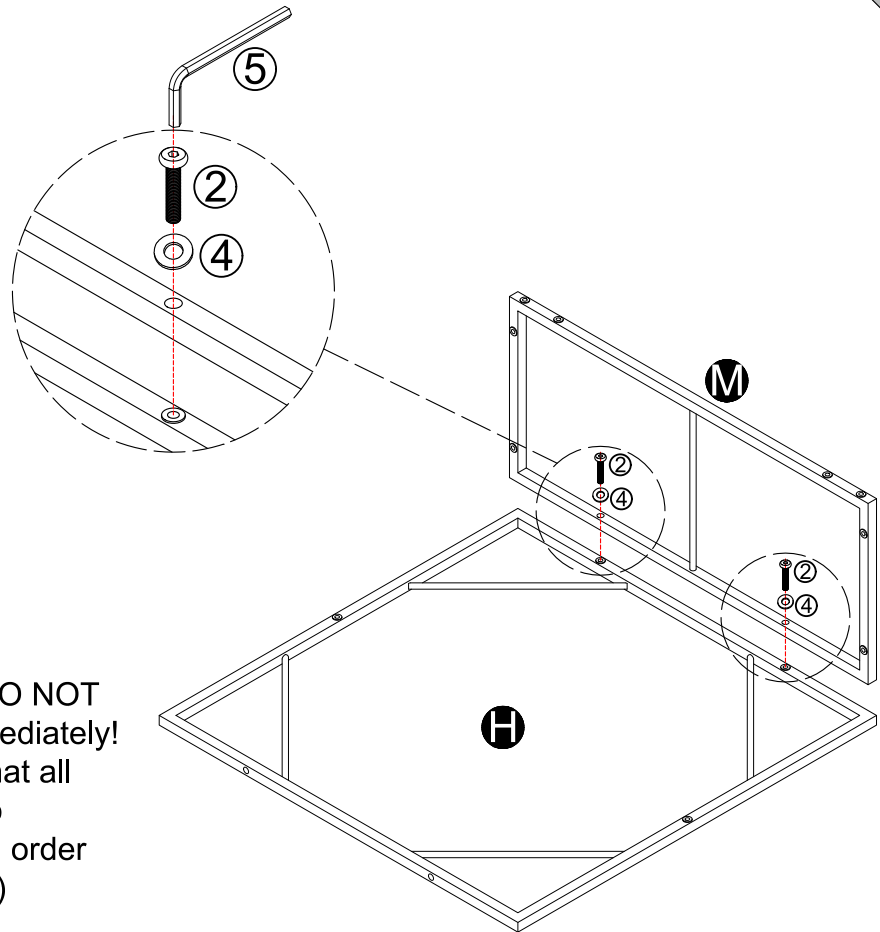
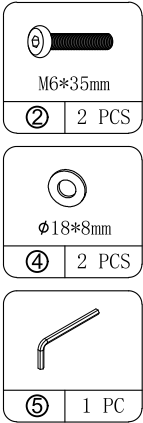
				
M6*25mm	M6*35mm	Ø18*8mm		
1 24PCS	2 40PCS	4 40PCS	5 1PC	6 2PCS



Before installation, please check that the parts are all included !



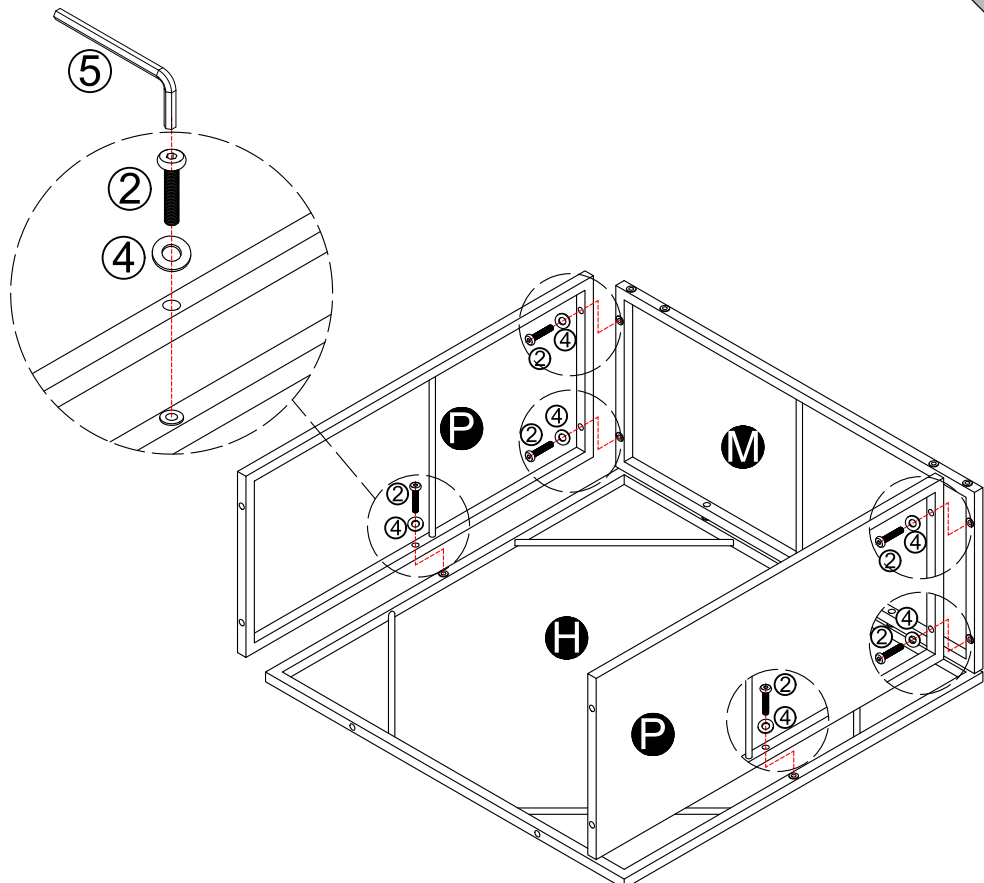
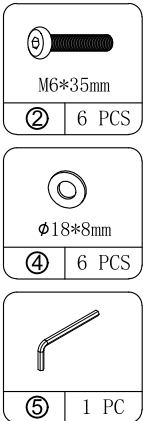
1






⚠ Notice!

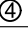
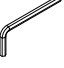
When installing, please DO NOT to tighten the screws immediately! You need to make sure that all the screws are secured to 80%, then tighten them! (In order to aim all the screw holes)

2

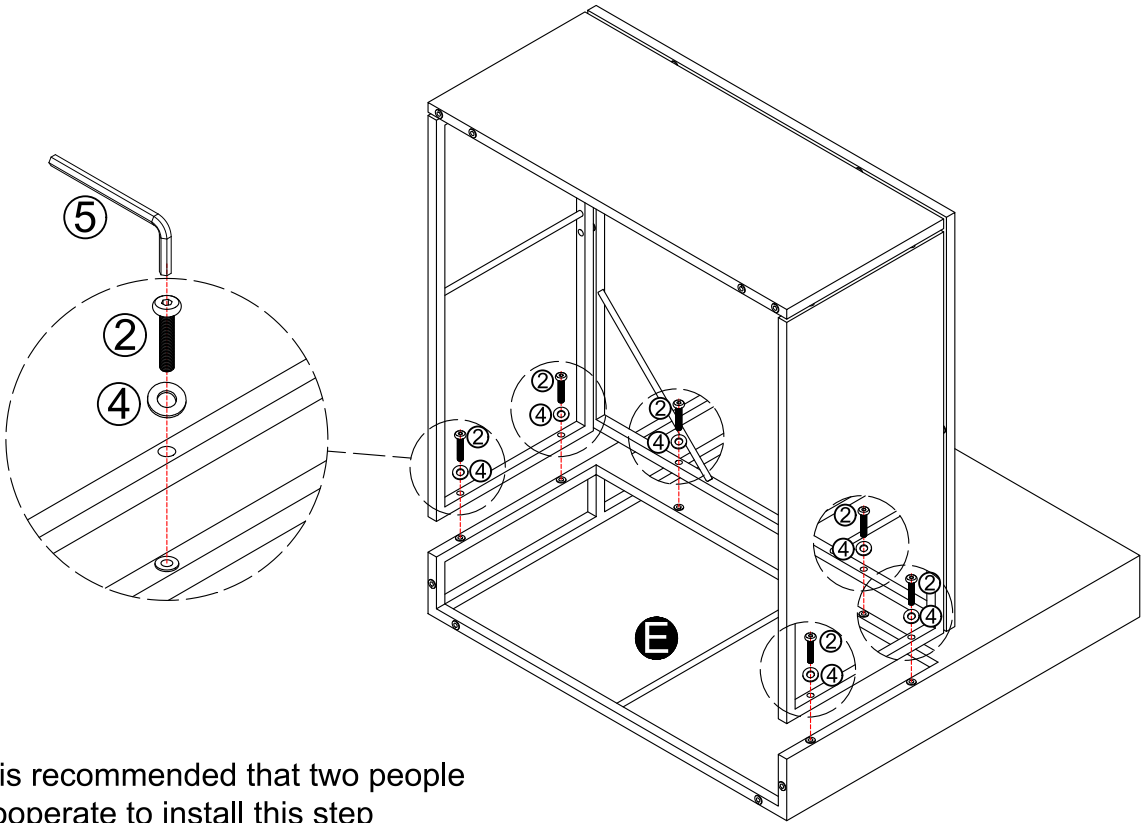



- 


 M6*35mm
-  6 PCS
- 


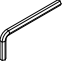
 φ18*8mm
-  6 PCS
- 

 ⑤ 1 PC

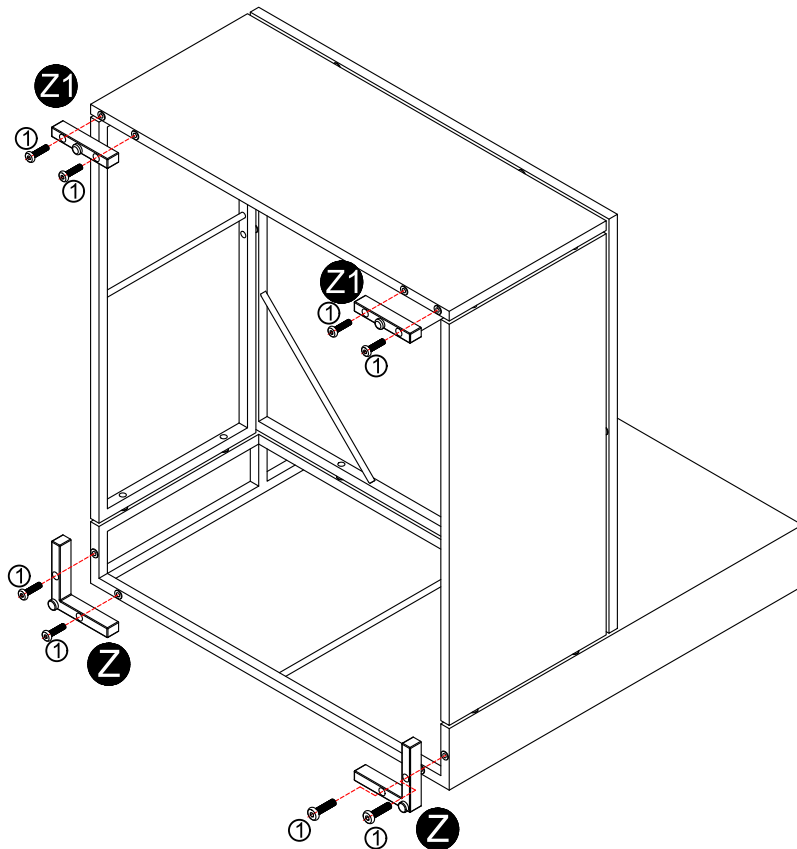


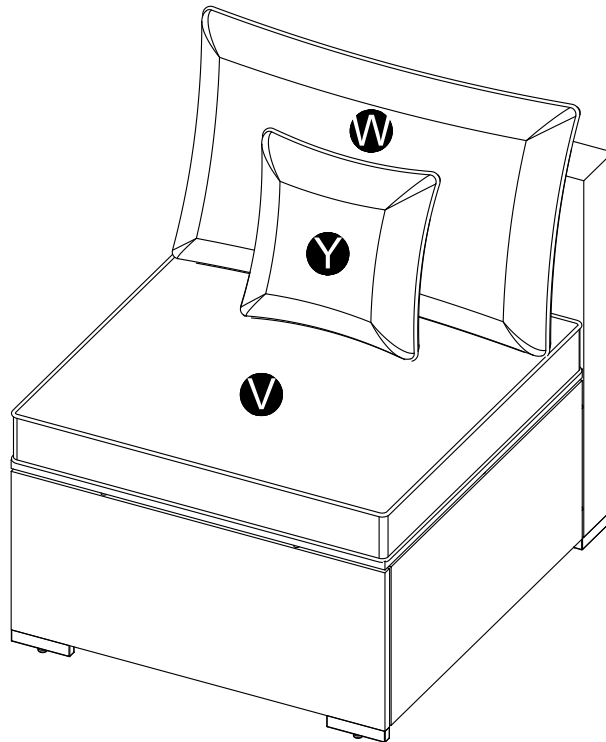
 It is recommended that two people cooperate to install this step

- 

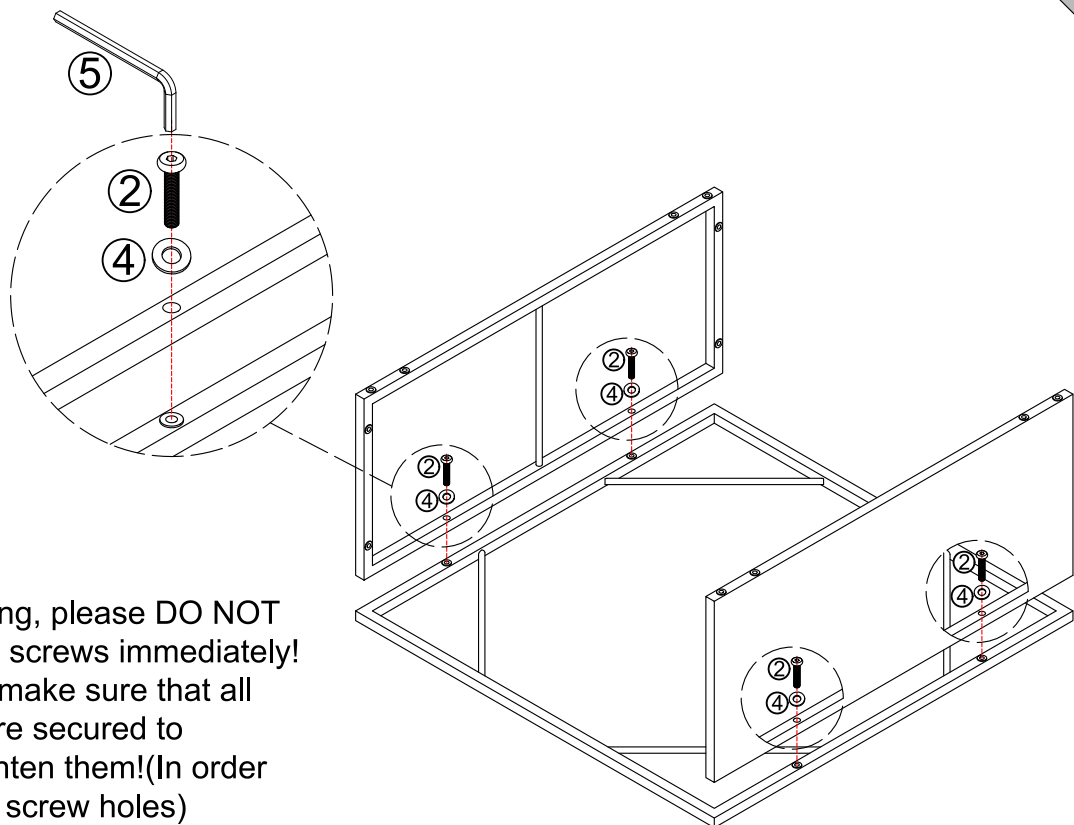
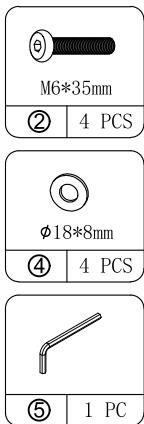
 M6*25mm
-  8 PCS
- 

 ⑤ 1 PC










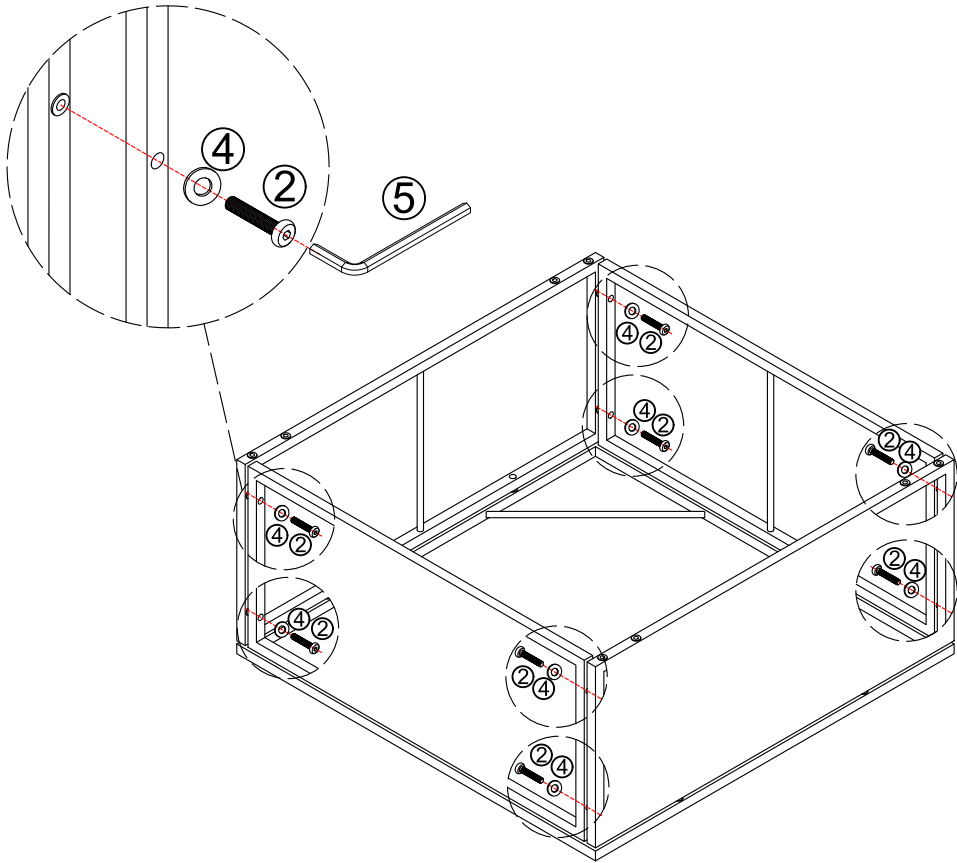
The second single sofa can be installed as the same steps.






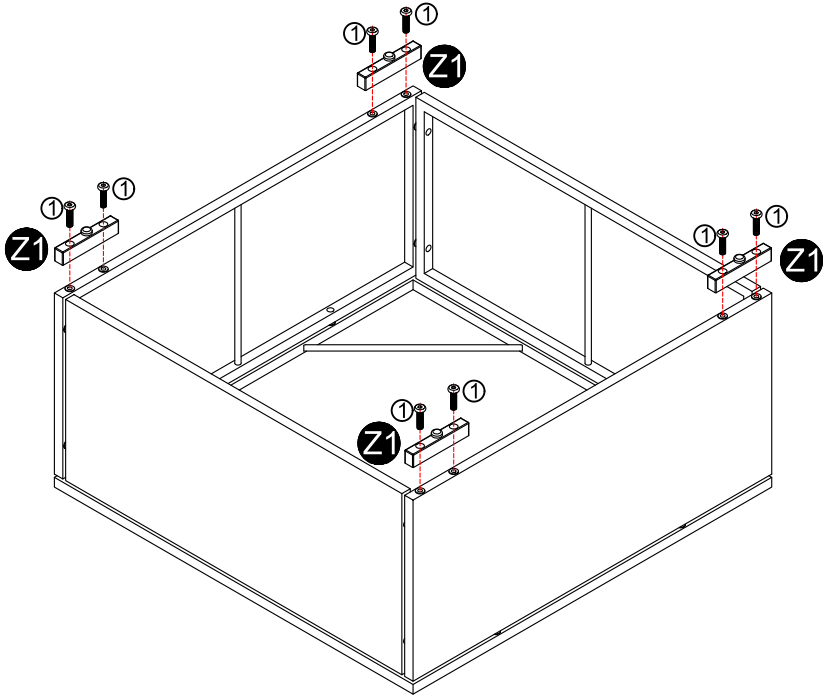
⚠ Notice!

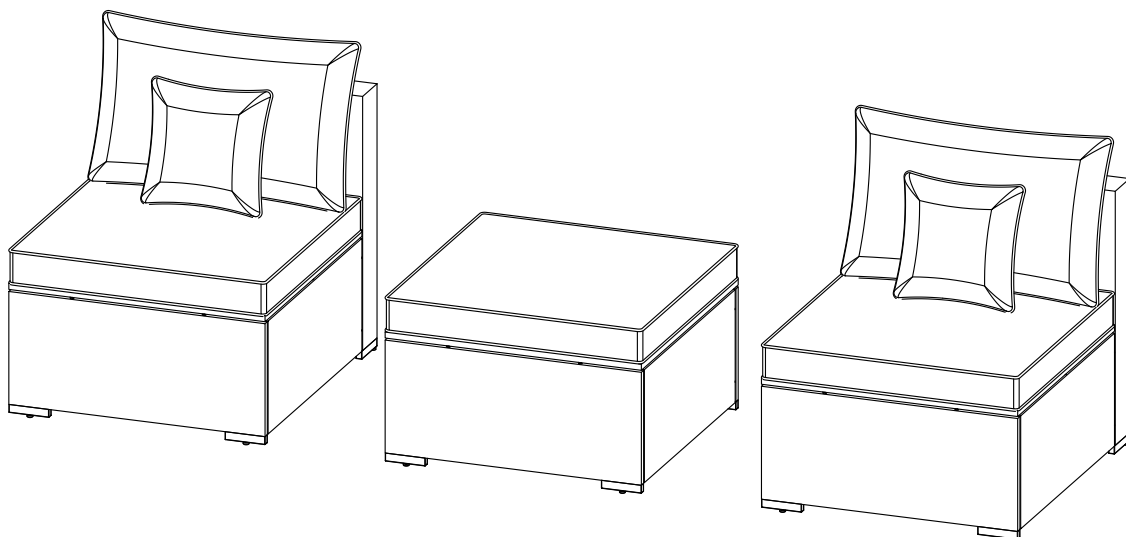
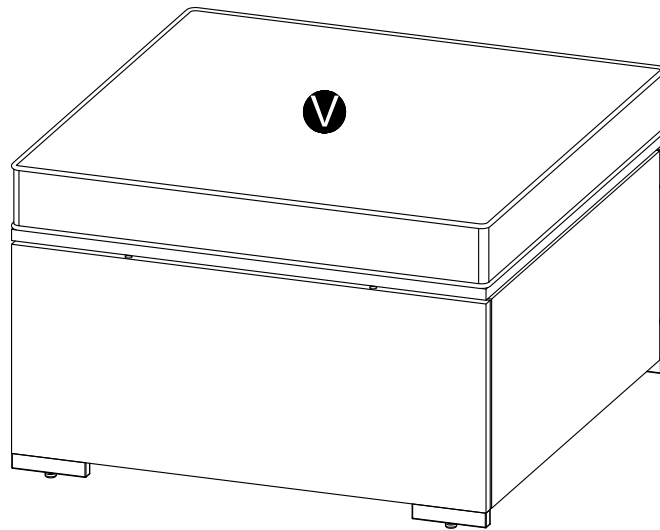
When installing, please DO NOT to tighten the screws immediately! You need to make sure that all the screws are secured to 80%, then tighten them! (In order to aim all the screw holes)

-  M6*35mm
-  8 PCS
-  $\phi 18*8mm$
-  8 PCS
-  1 PC

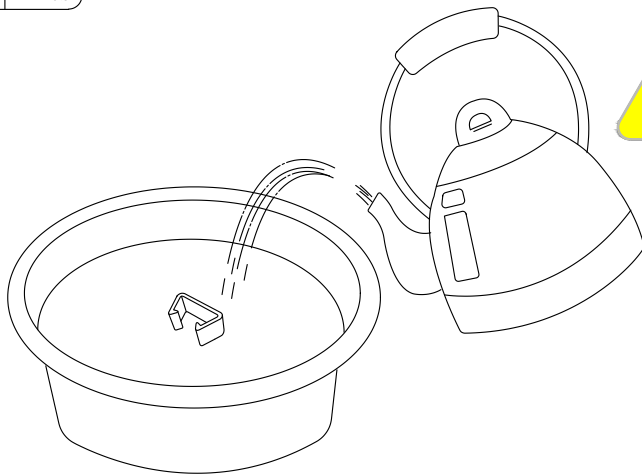
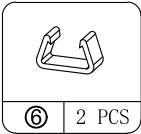


-  M6*25mm
-  8 PCS
-  1 PC

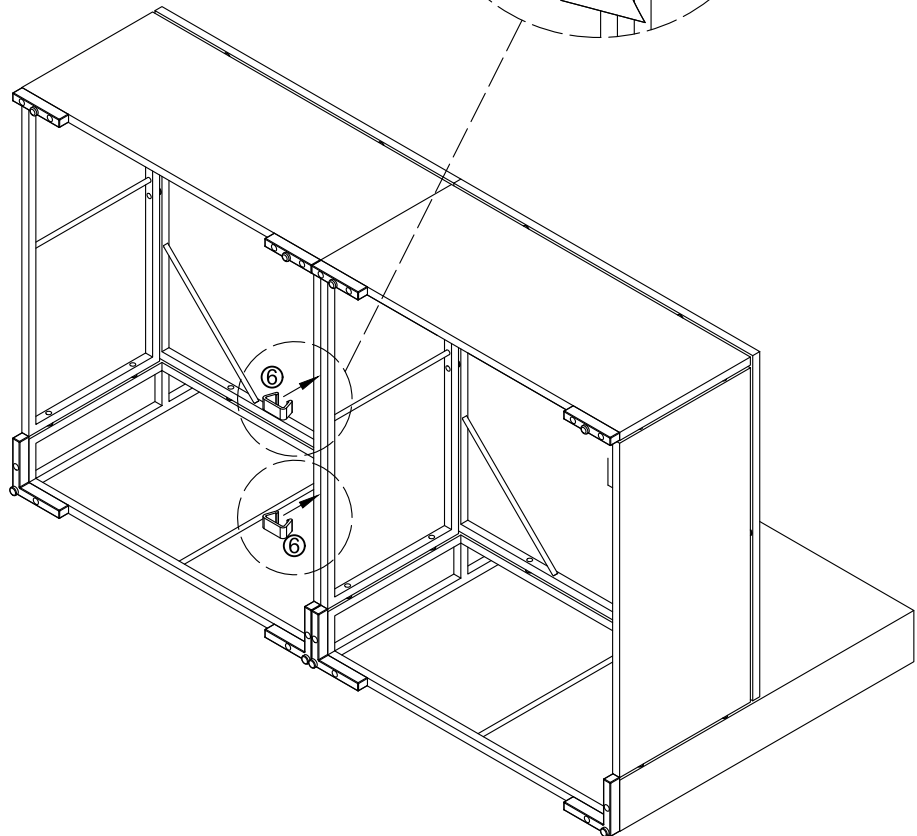
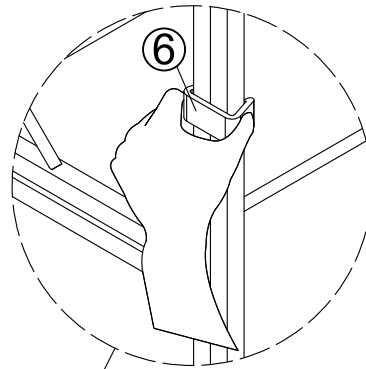




**The installation is complete.
Make sure ALL the screws are fully tighten.**



Caution Hot

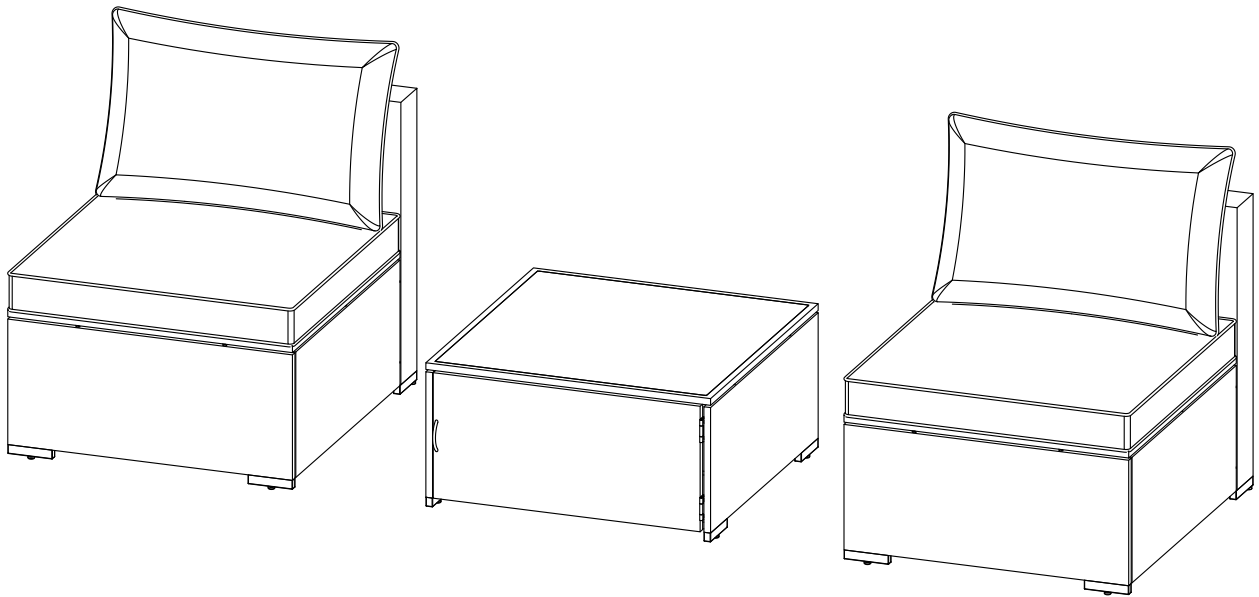


TIPS

1. In order to increase the toughness of the sofa fixed buckle, please soak it in hot water for 10 minutes before use.
2. When in use, first to snap one side of the buckle into the metal frame and then force the other side into all the frame.
3. You can freely to make a variety of combinations using the above methods.

C Box

2PC SINGLE SOFA & COFFEE TABLE



NOTICE:

Please keep these instructions for future reference.

Dear Customer

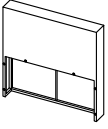
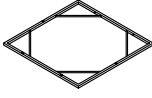
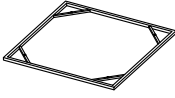
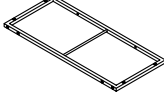
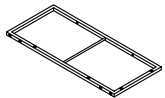
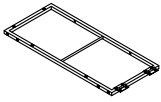
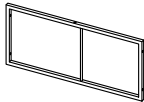
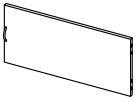
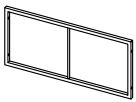
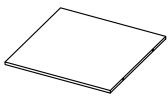
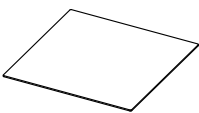
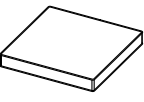
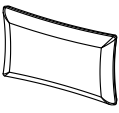
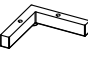

- Thank you for your purchase. when you receive the product, please make sure that all the parts are intact. Then follow the entire installation instructions to install!
- When installing, please be careful not to tighten the screws immediately! You need to make sure that all the screws are secured to 80%,then tighten them!
- In order to protect the rattan from harm. and the screw hole from grind, do not use the electric drill, please use the manual screwdriver in the hardware package!
- If problem occur unsatisfactorily as follows
 - A . The outer box is damaged
 - B . The product is damaged / bent / cracked while you open the box
 - C . The parts / accessories / assembly tools are missing
 - D . The instructions are not clear and can not be referred
 - E . The product has functional problems
 - F . Other aspects that you are not satisfied with

Please feel free to contact us for help. Our after-sales team service will reply within 24 hours and will do our best to resolve the problem for you.

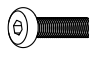
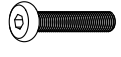
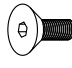

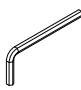
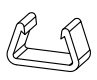
CARE INSTRUCTIONS:

- To clean the metal frame and weaving rattan ,wipe them with clean water.It is not recommended to clean products with a strong cleaner or an abrasive materials, it may discolor or damage the surface.

Parts List

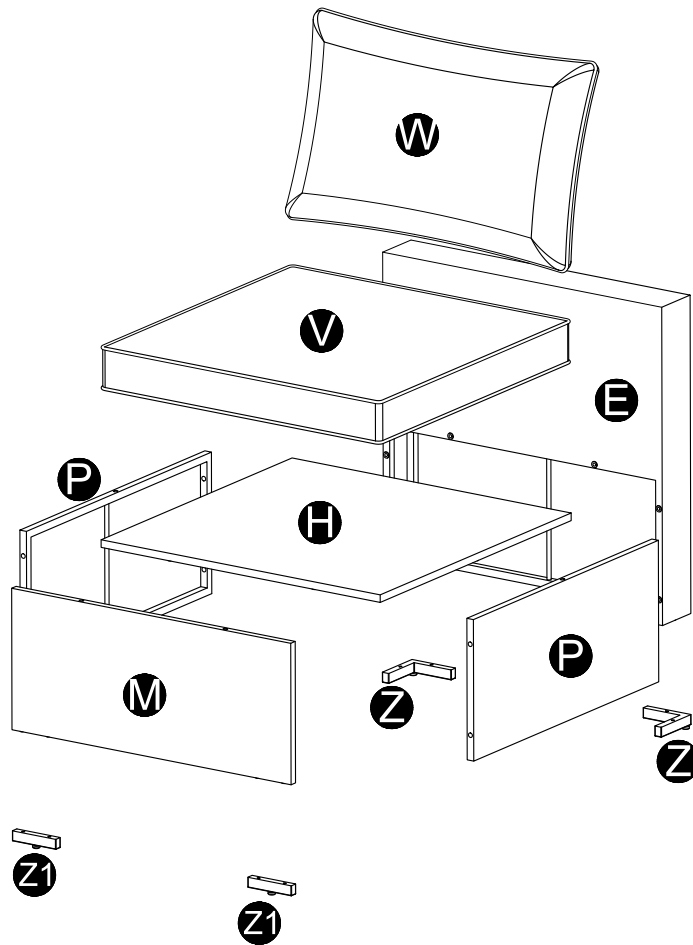
				
E 2PCS	H 2PCS	J 1PC	M 2PCS	N 1PC
				
O 1PC	P 4PCS	R 1PC	S 1PC	T 1PC
				
U 1PC	V 2PCS	W 2PCS	Z 4PCS	Z1 8PCS

Hardware List

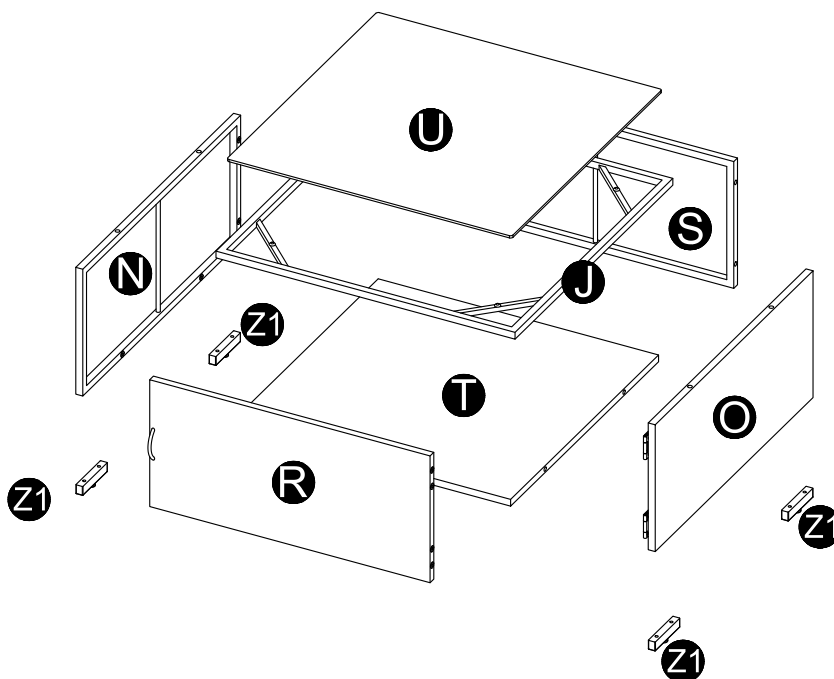
				
M6*25mm	M6*35mm	M6*10mm	Ø18*8mm	
1 24PCS	2 40PCS	3 4PCS	4 40PCS	5 1PC
				
6 2PCS				



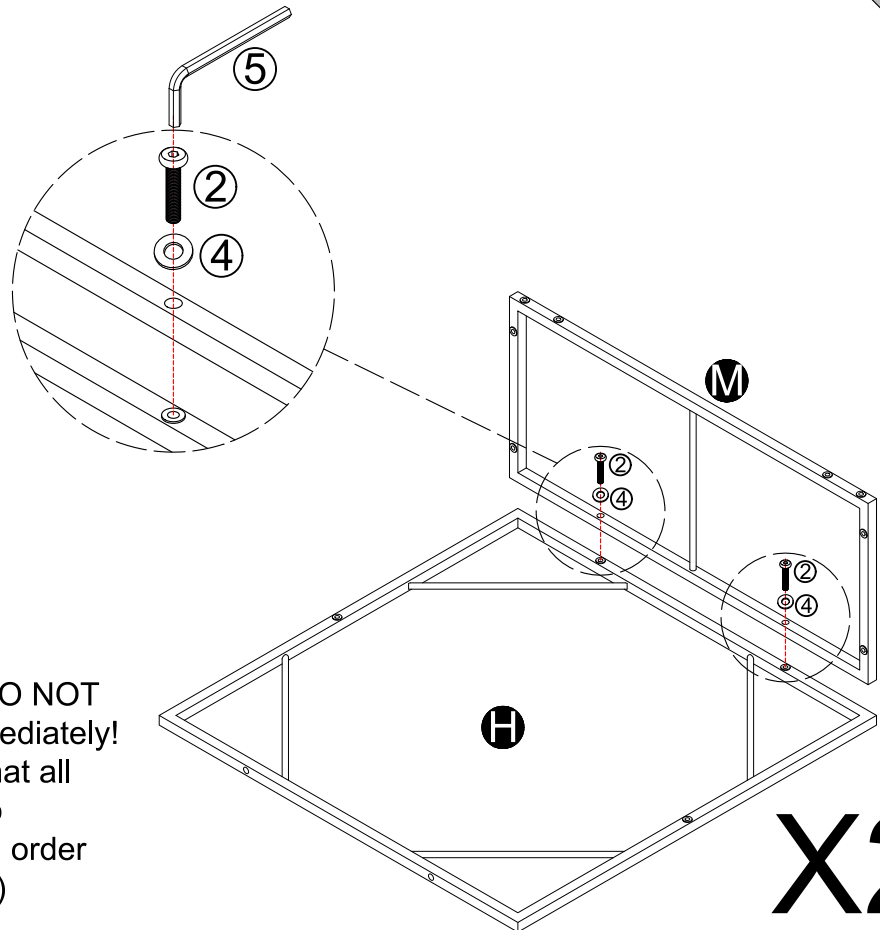
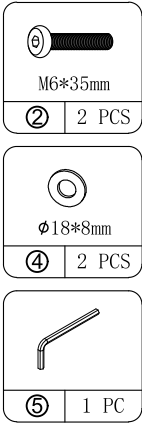
Before installation, please check that the parts are all included !



X2



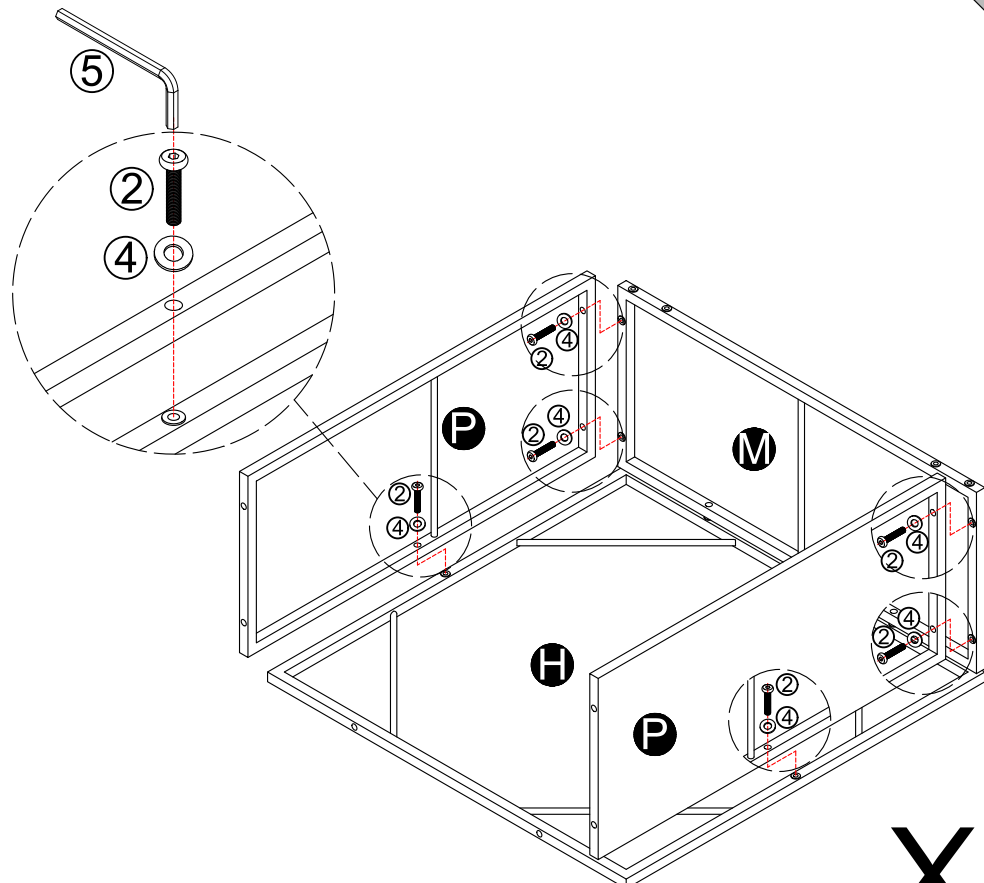
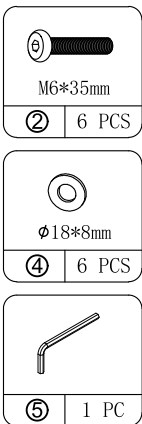
1



⚠ Notice!




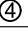
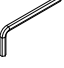
When installing, please DO NOT to tighten the screws immediately! You need to make sure that all the screws are secured to 80%, then tighten them! (In order to aim all the screw holes)

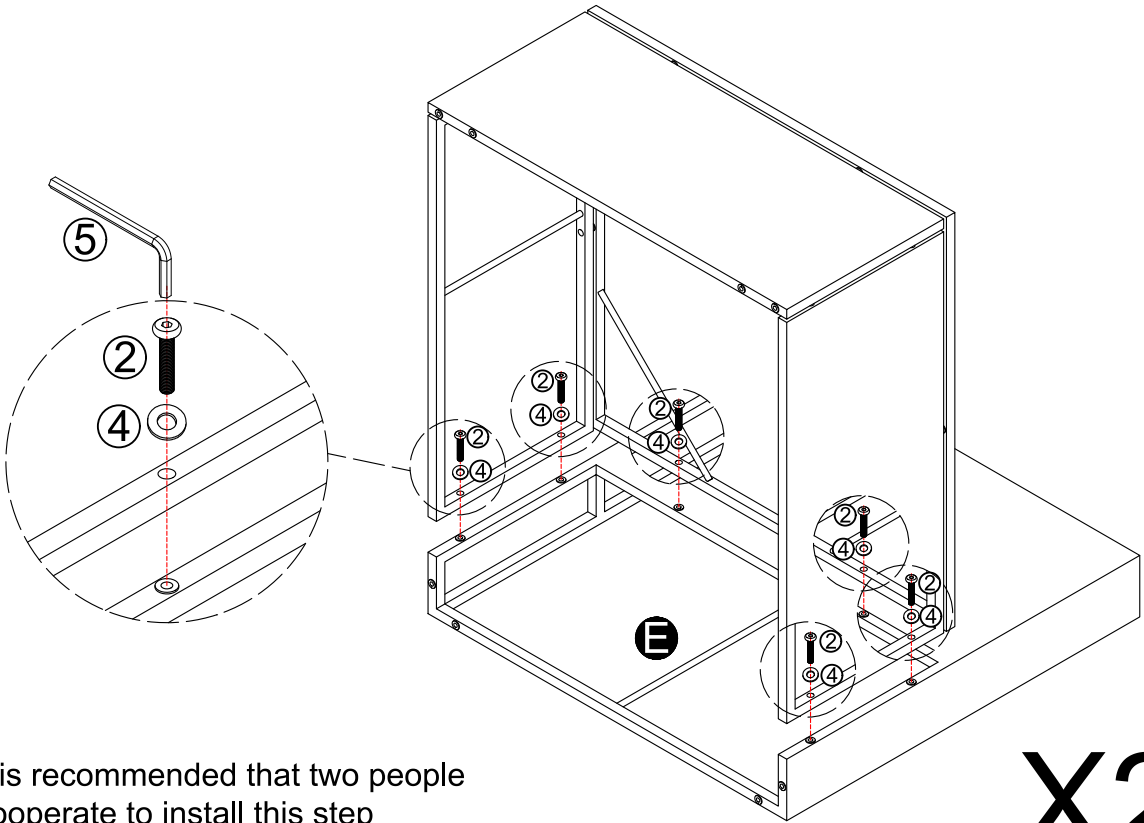
2




X2

3



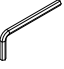
-  M6*35mm
-  6 PCS
-  $\phi 18*8mm$
-  6 PCS
-  1 PC

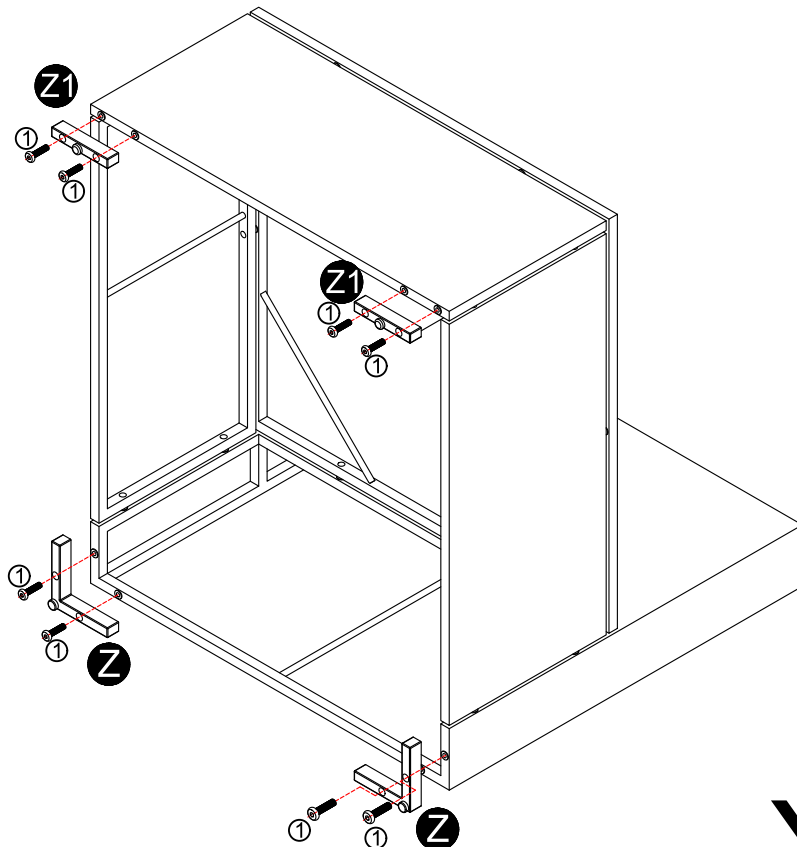


 It is recommended that two people cooperate to install this step

X2

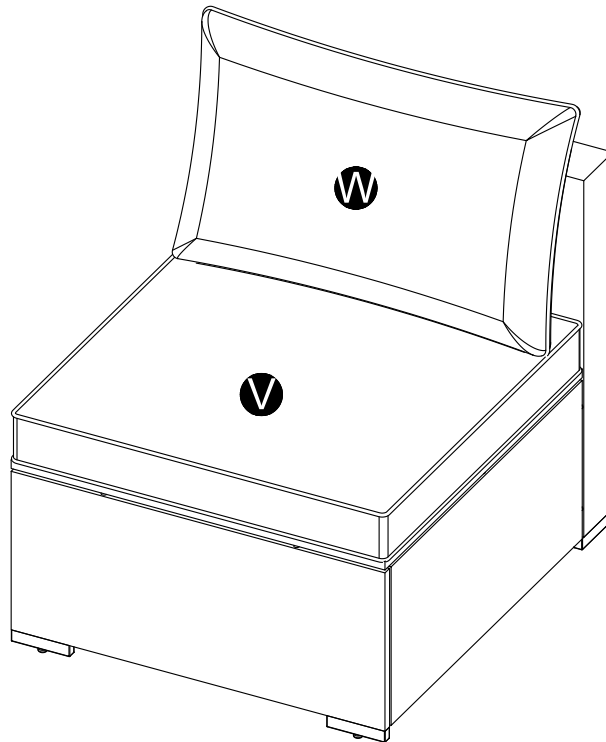
4

-  M6*25mm
-  8 PCS
-  1 PC



X2

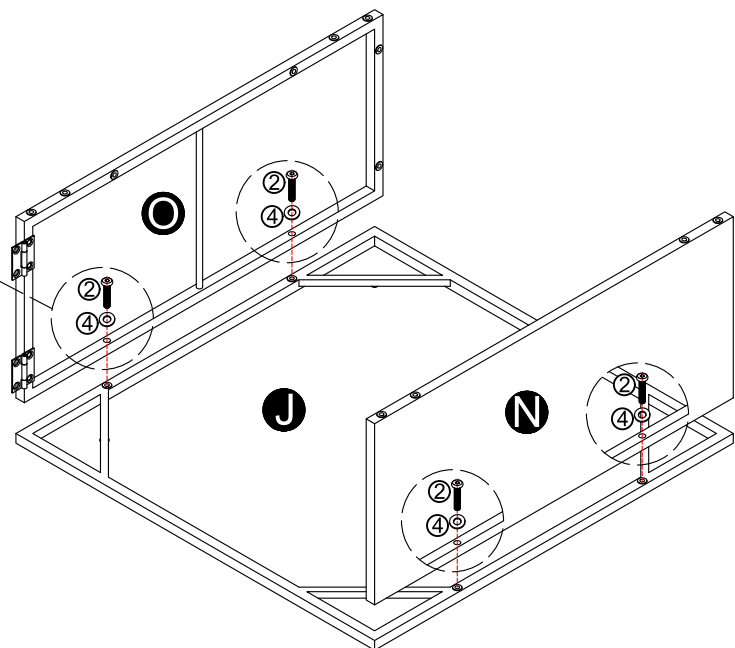
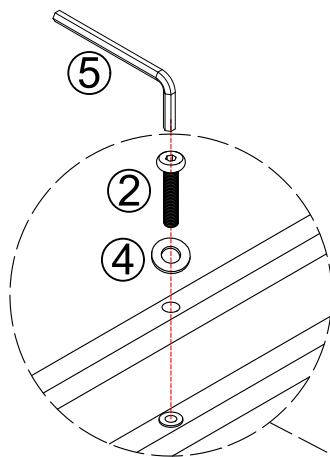
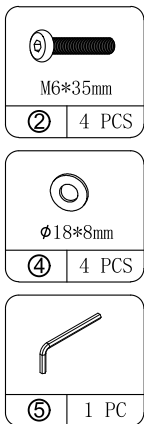
5



X2





The second single sofa can be installed as the same steps.

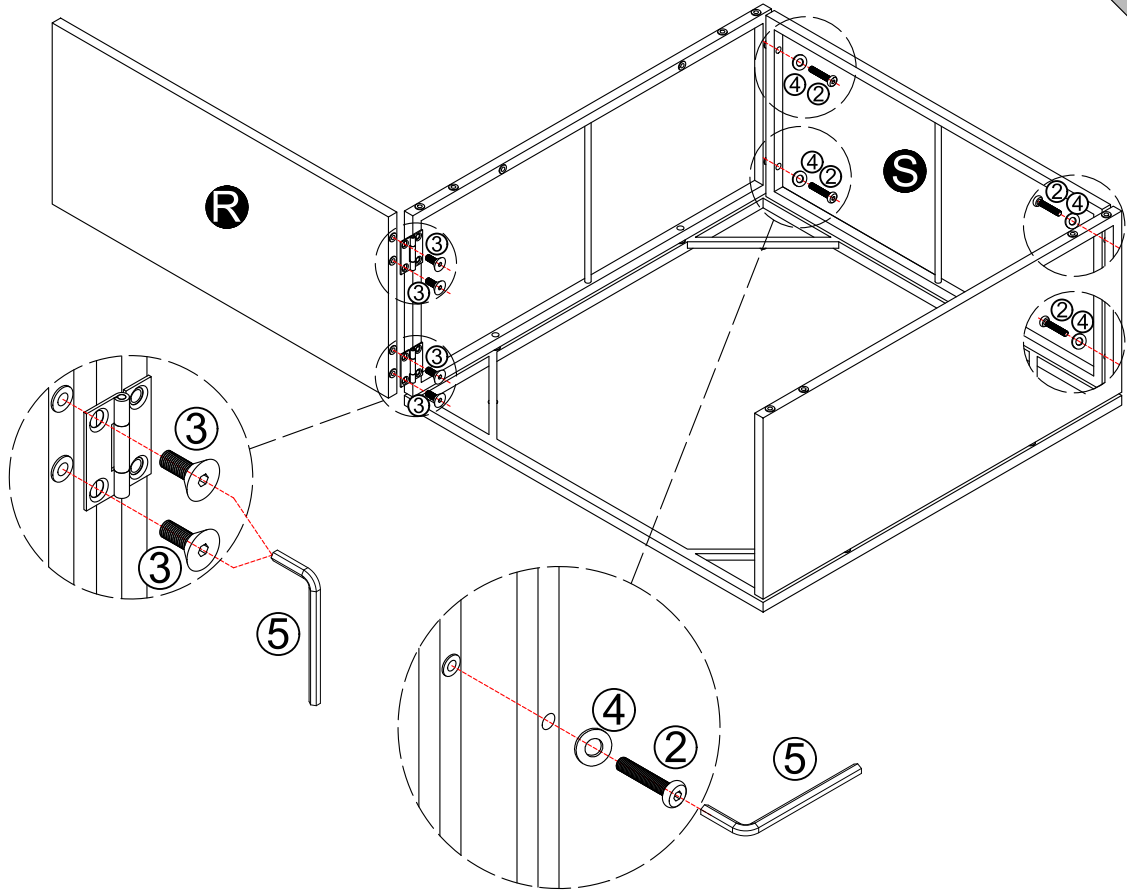
6






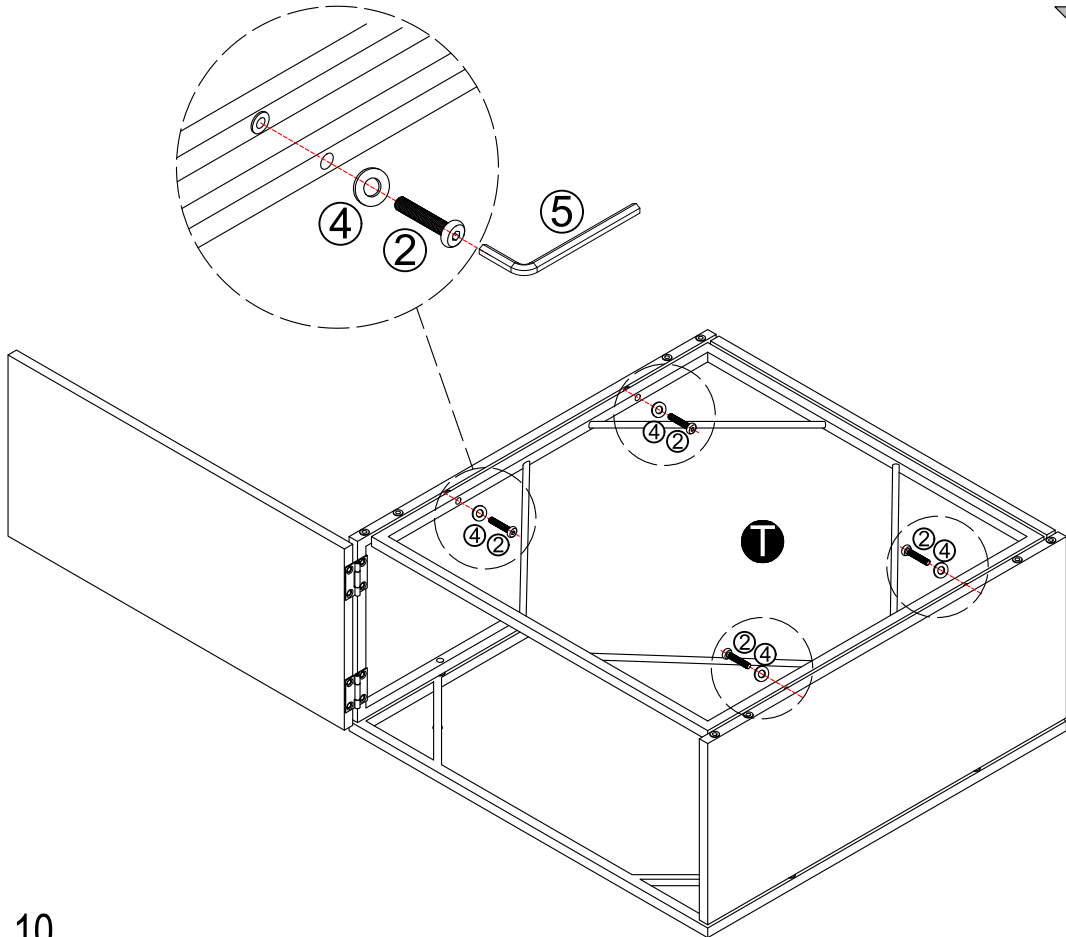
⚠ Notice!


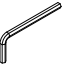
When installing, please DO NOT to tighten the screws immediately! You need to make sure that all the screws are secured to 80%, then tighten them! (In order to aim all the screw holes)

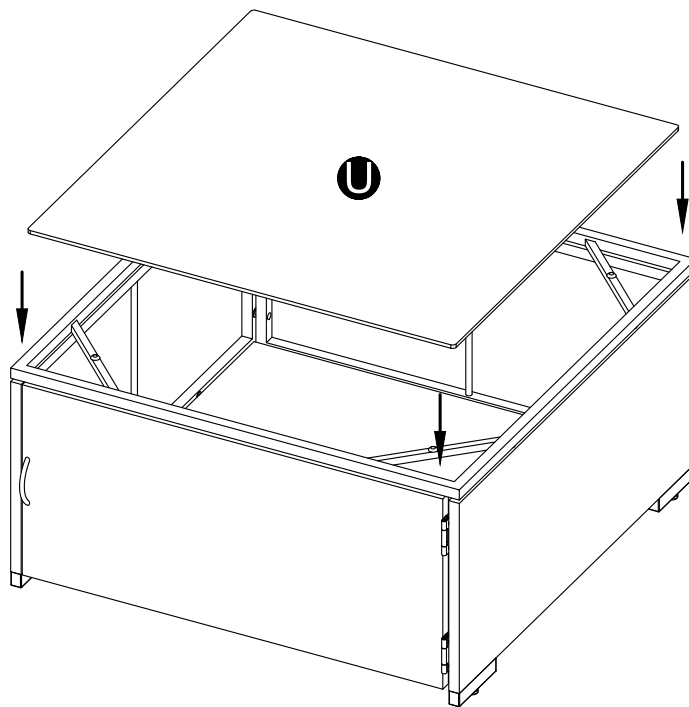
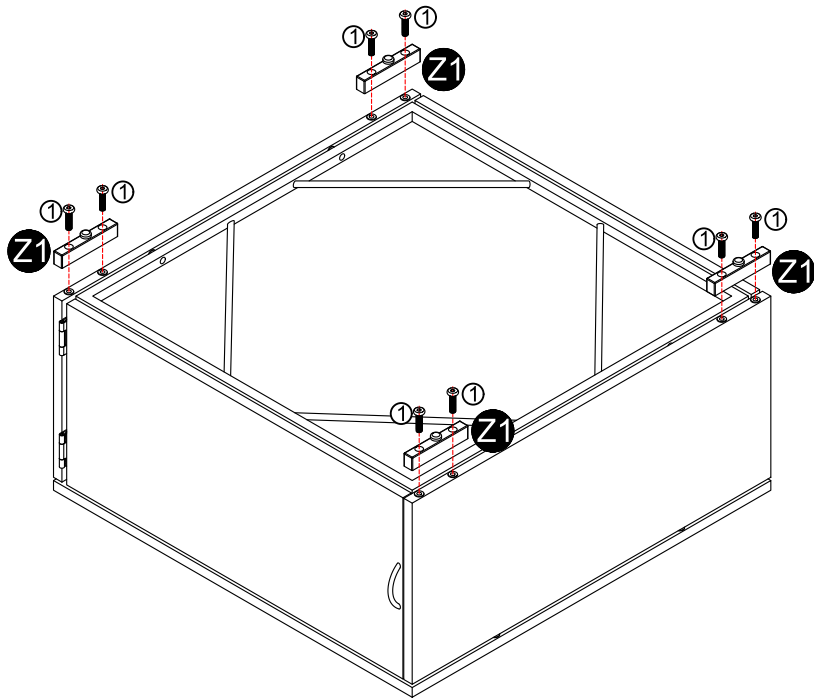
-  M6*35mm
- ②** 4 PCS
-  M6*10mm
- ③** 4 PCS
-  $\phi 18*8mm$
- ④** 4 PCS
-  **⑤** 1 PC

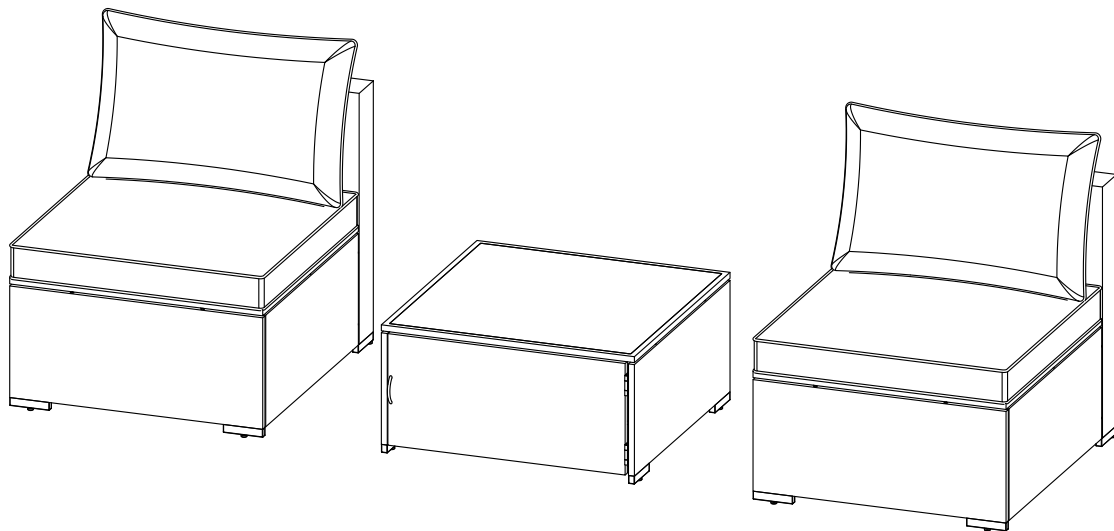


-  M6*35mm
- ②** 4 PCS
-  $\phi 18*8mm$
- ④** 4 PCS
-  **⑤** 1 PC

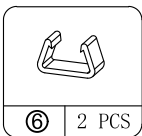


	
M6*25mm	
①	8 PCS
	
⑤	1 PC

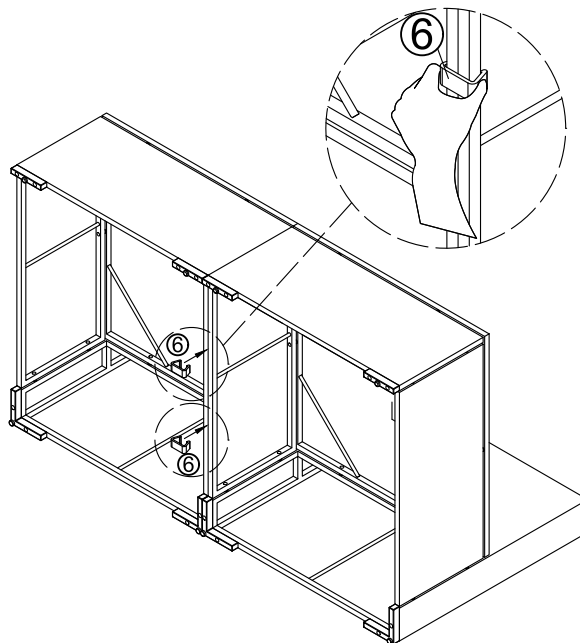
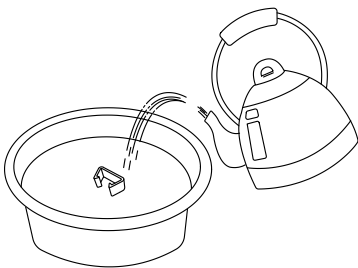




**The installation is complete.
Make sure ALL the screws are fully tighten.**



⚠ Caution Hot



TIPS

1. In order to increase the toughness of the sofa fixed buckle, please soak it in hot water for 10 minutes before use.
2. When in use, first to snap one side of the buckle into the metal frame and then force the other side into all the frame.
3. You can freely to make a variety of combinations using the above methods.