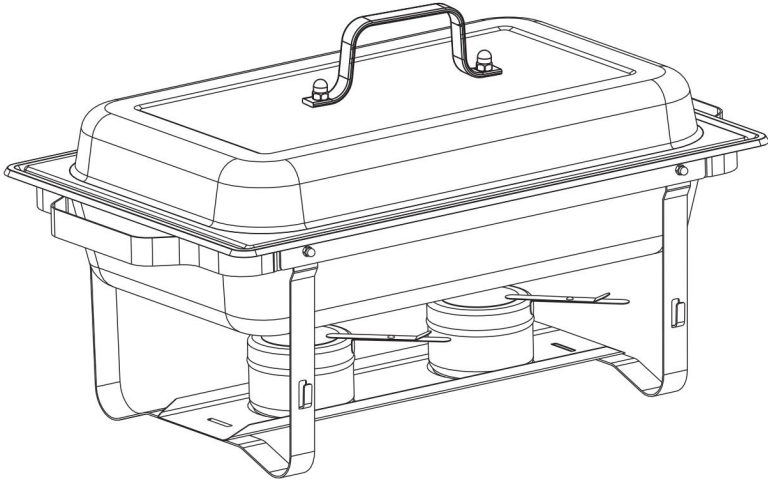




# RECTANGLE CHAFING DISH

We continue to be committed to provide you tools with competitive price. "Save Half", "Half Price" or any other similar expressions used by us only represents an estimate of savings you might benefit from buying certain tools with us compared to the major top brands and does not necessarily mean to cover all categories of tools offered by us. You are kindly reminded to verify carefully when you are placing an order with us if you are actually Saving Half in comparison with the top major brands.

## RECTANGLE CHAFING DISH



This is the original instruction, please read all manual instructions carefully before operating. The manufacturer reserves a clear interpretation of our user manual. The appearance of the product shall be subject to the product you received. Please forgive us that we won't inform you again if there are any technology or software updates on our product.

	Warning-To reduce the risk of injury, user must read instructions manual carefully.
	Wear protective gloves.

## SAFETY WARNINGS AND PRECAUTIONS

Thank you for using this product. In order to make sure that you can operate the machine correctly, read this instruction carefully before operation and keep it properly for future reference. Please read the precautions and safety rules on this page to ensure your safe use. This manual will outline safety warnings and precautions, operating, maintenance and cleaning. The warnings and instructions reviewed in this manual cannot cover all possible conditions and situations that may occur. Caution and common sense are not built into this product, since we believe that the uses will comply with these codes. Before starting a training program or engaging in strenuous endurance activity on the device, please consult a doctor.






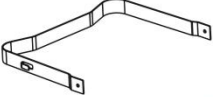




### **Please read ALL the instructions before using your product.**

1. Children and minors cannot use this product.
2. Only solid fuel can be used as heating fuel. Do not use gasoline, alcohol, etc.
3. Please use the ignition torch to ignite the fuel.
4. When the fuel is burning, special personnel shall be assigned to watch over it to prevent it from being hit or toppled.
5. Close the metal cover of the container to extinguish the fuel. Do not blow it out.
6. It is not allowed to add new fuel before the burning fuel is extinguished and cooled.
7. Remember to clean the food tray and fuel container after each use.
8. Do not clean with corrosive solvents such as strong acid and alkali
9. Please wear gloves when handling the product.
10. Do not apply this unit to any other purposes than the indicated usage.
11. Before first use, please clean the product.
12. The product cannot be burned dry

**⚠ WARNING: This appliance is not intended for use by young or infirm persons unless supervised by a responsible person to ensure that they can use the appliance safely. Young children should be supervised to ensure that they do not play with the product. Pets should stay away from the product.**

## PRODUCT COMPONENTS

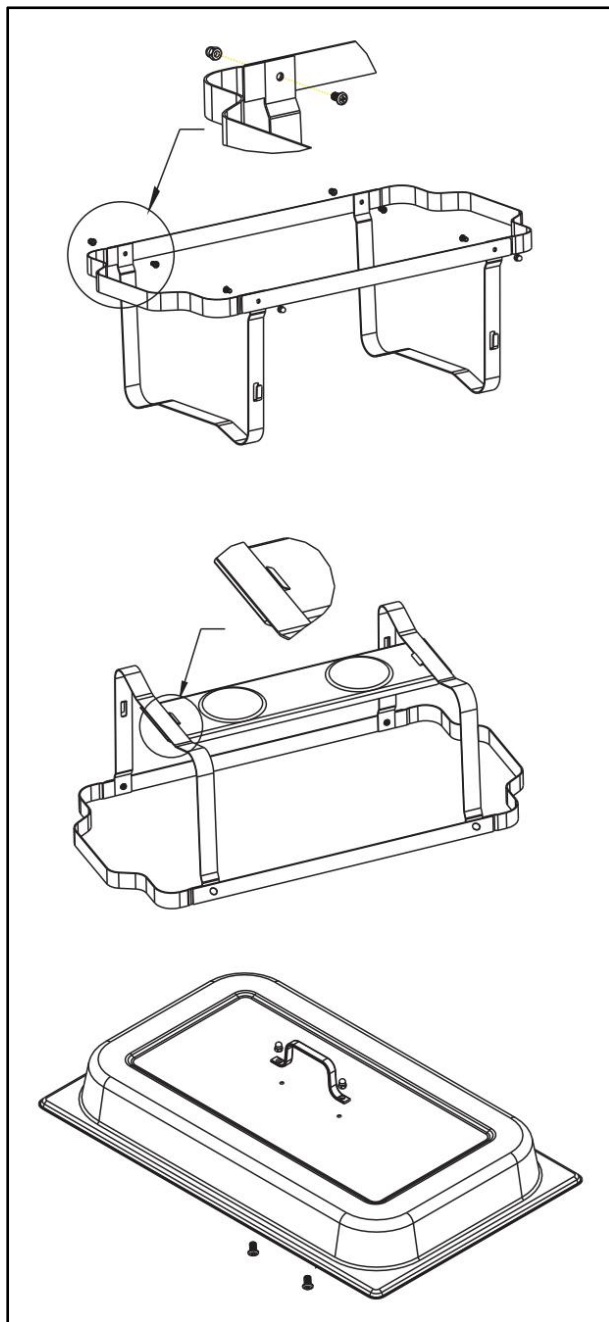
For additional information regarding the parts listed below, please refer to the Assembly Diagram of this manual. Unwrap and separate all parts in a clear work area.

<p>Lid</p>  <p style="text-align: right;">X1</p>	<p>Food parts</p>  <p style="text-align: right;">X1</p>	<p>Water plate</p>  <p style="text-align: right;">X1</p>
<p>Fueltray</p>  <p style="text-align: right;">X1</p>	<p>frame</p>  <p style="text-align: right;">X1</p>	<p>Frame legs</p>  <p style="text-align: right;">X2</p>
<p>Lid handle</p>  <p style="text-align: right;">X1</p>	<p>Screw</p>  <p style="text-align: right;">X2</p>	<p>Nut</p>  <p style="text-align: right;">X2</p>
<p>Fuel box</p>  <p style="text-align: right;">X2</p>		

**NOTE:**

1. For the convenience of installation, we will give away a screwdriver as a gift.
2. The quantity of parts shown in the manual is the actual usage and the unused parts are spare parts.
3. Each set of products uses consistent parts and assembly methods.
4. The quantities shown in the following table are the quantity of parts required for assembling a set of rectangle chafing dish! This model has a 2-piece set, 4-piece set, 6-piece set of packaging. The quantity of parts in different sets is also corresponding to the multiples of the number in the table. Only the 2-piece set has four more 1/2 food plates.

# ASSEMBLE



## OPERATING INSTRUCTIONS

Before using the appliance for the first time: Peel off promotional and packaging materials, and check that the cooking plates are clean and dust-free. If necessary, wipe them over with a damp cloth. Spread over with an absorbent kitchen towel and wipe off any excess oil.

1. Take all the components out of the box and unwrap.
2. Place the frame on a firm surface (see diagram for included parts).
3. Place the fuel holder at the center of the base carefully.
4. Put the water pan into the frame and fill with water (fill in hot water for faster heating).
5. Remove the cover from the fuel holder, and ignite the fuel to heat the water (steam from the heated water will keep the food hot).
6. Place food in the food pan and set this pan into the water pan. The food pan will be suspended above the water. Then, place the cover over the food pan.
7. Replace the cover over the fuel holder to extinguish the burning fuel—DO NOT BLOW IT OUT.

### **NOTE:**

1. Always use a scald-proof pad when touching the fuel holder. Fuel, fuel holder and its cover can get extremely hot.
2. For the best heating efficiency, please keep the lid closed when heating, and check the water level periodically, since the hot water will evaporate into steam.

## CLEANING MAINTENANCE STORAGE

1. The frame and cover may be cleaned with warm, soapy water. Never use abrasive materials or scouring pads. Thoroughly wipe off the mild soap instead of immersing the frame into water. If needed, you can polish it with stainless steel cleaner or glass cleaner without ammonia.
2. Parts that can be cleaned in a commercial dishwasher: Food Pan and Water Pan.