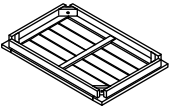
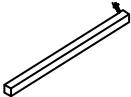



## CARE AND MAINTENANCE

Store outdoor furniture indoors or cover well when it is not in use. Dust regularly with small brush or vacuum. Spills should be taken care of immediately before they harden or stain with a slightly dampened sponge.

Please make sure that you have all parts indicated before you begin assembly of this item.

### Part List and Hardware List

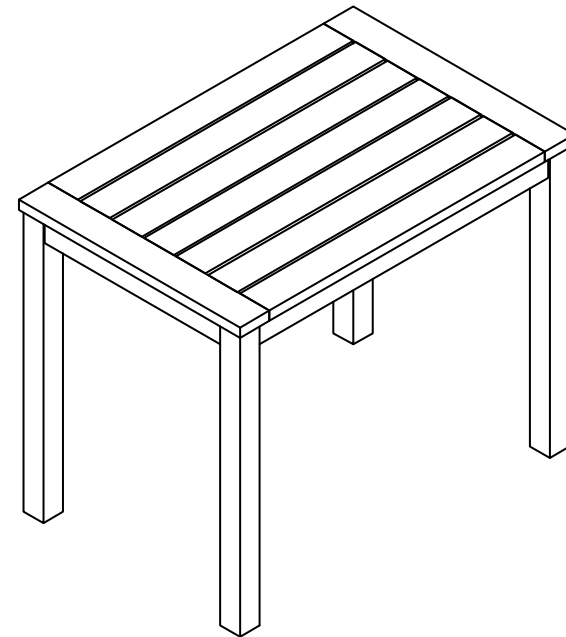
PIECE	DESCRIPTION	PICTURE	QUANTITY
A	Table top		1x
B	Leg		4x
C	Wrench		1x

Product Dimension: 26.77"W x 17.72"D x 21.65"H

Weight capacity : 40 lbs.

Warning : Do not stand on the bench

Warning : Do not torque bolts / screws

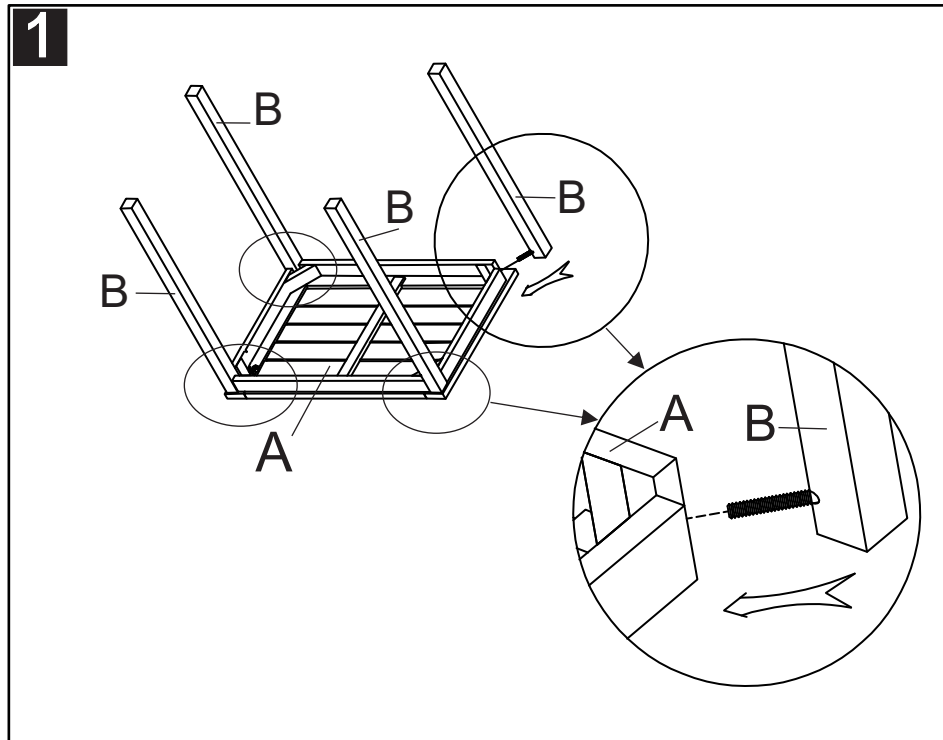


# PREPARATION

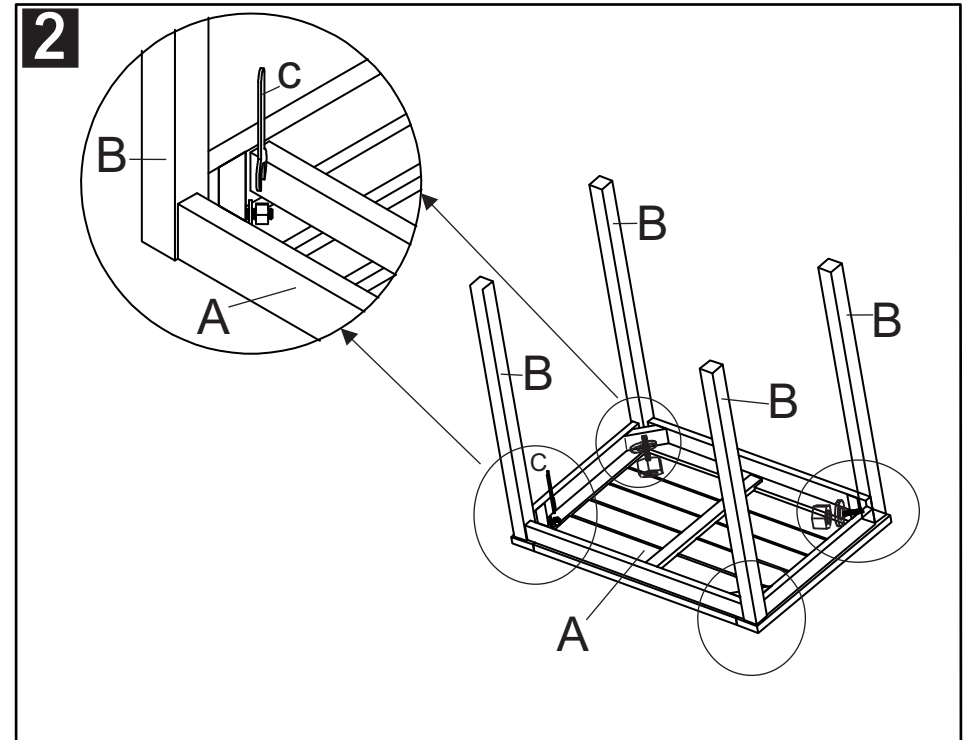
---

Before beginning the assembly of the product, make sure all parts are present. Compare the parts with the package contents list and hardware contents list. If any parts are missing or damaged, do not attempt to assemble the product. Tool required for assembly (included): Wrench.

## NOTICE



Step 1: attach 4 legs (B) to the table top (A) as shown on the picture by remove nut and washer from the bolt on the leg.



Step 2: Use the wrench (C) to tighten all 4 legs as shown on the picture.