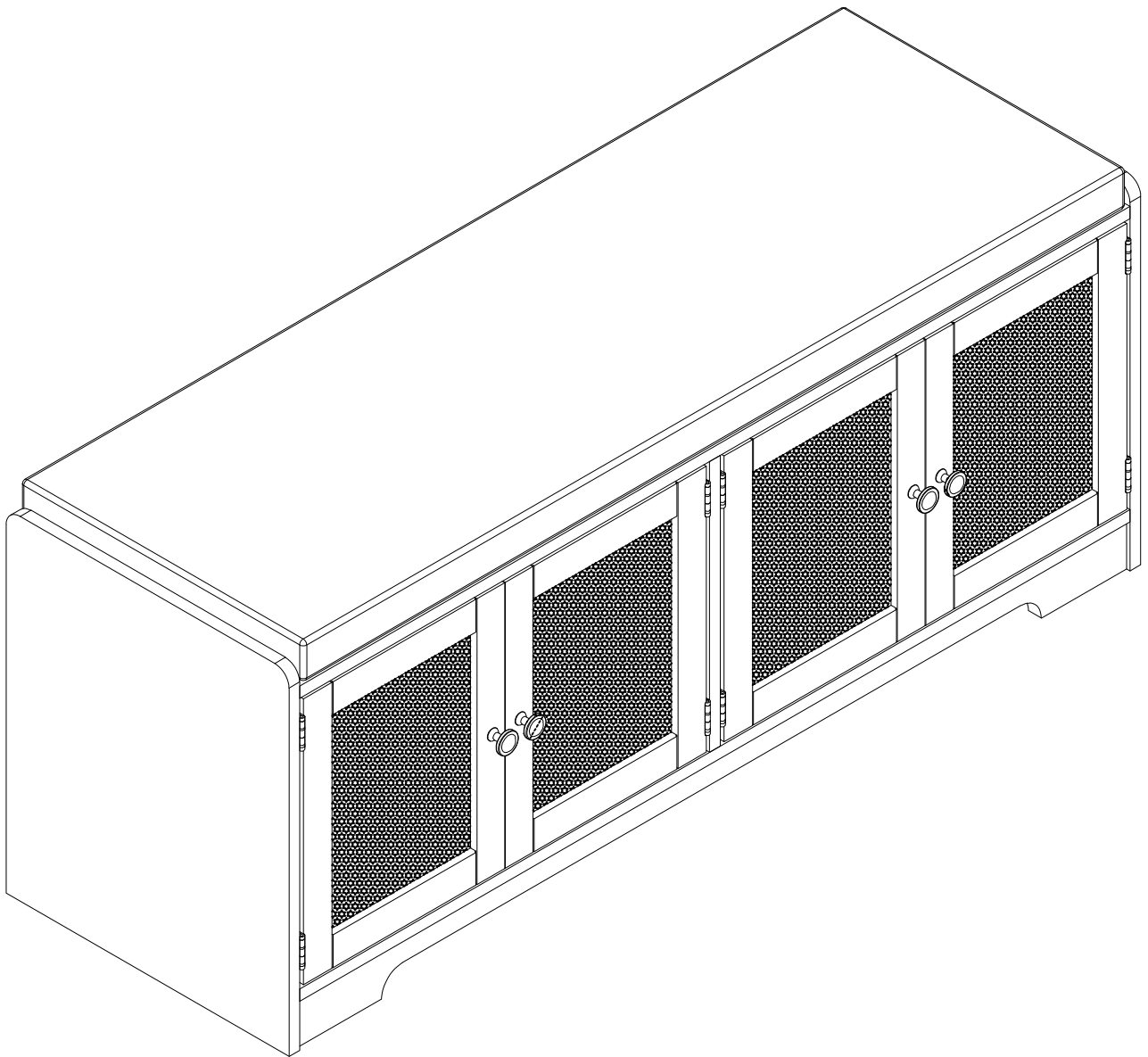
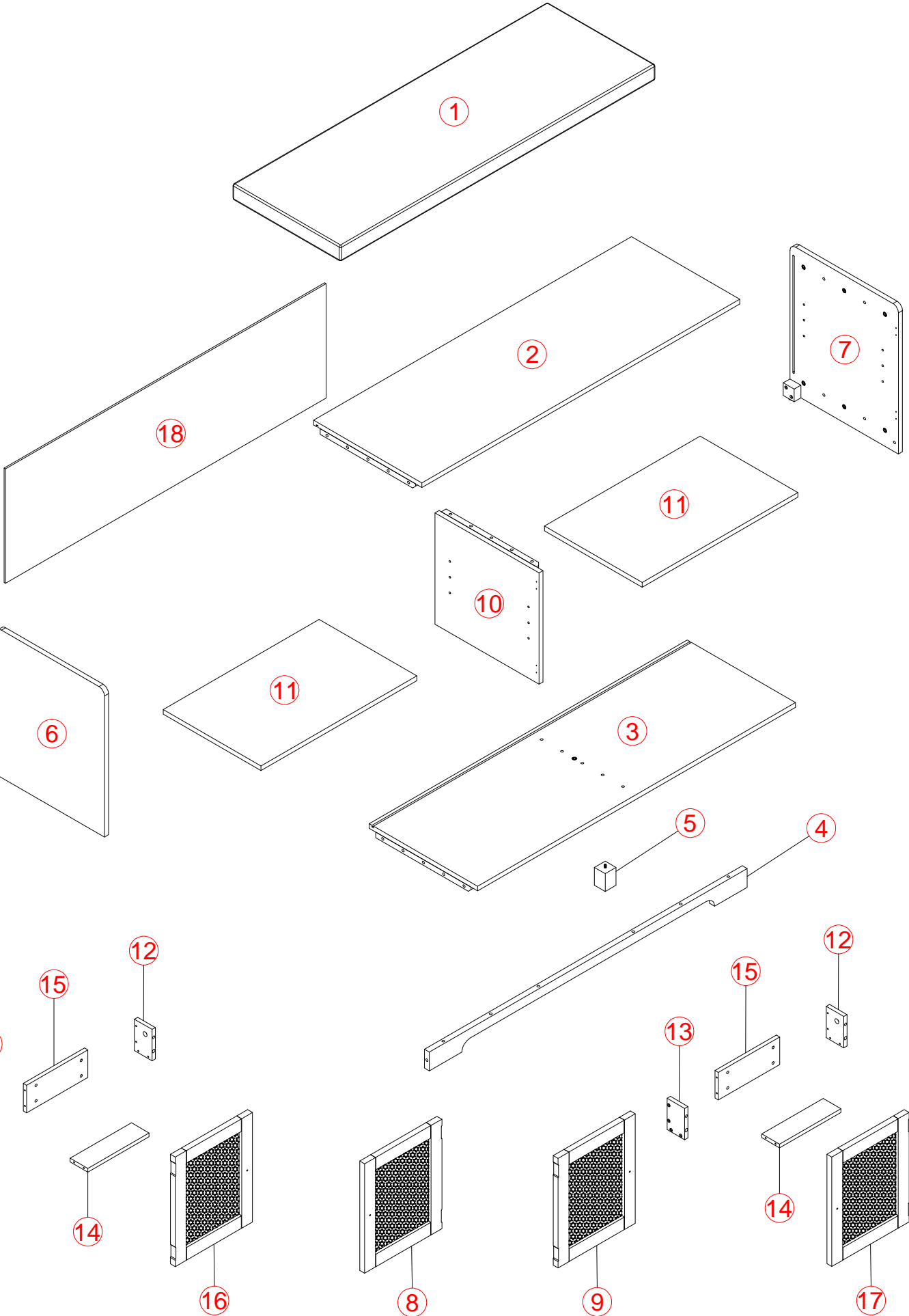


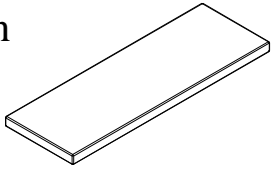
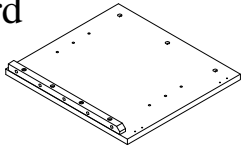
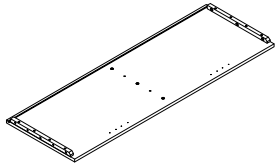
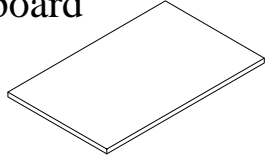
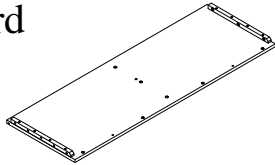
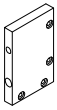
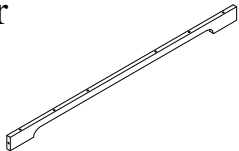
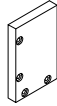
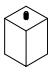
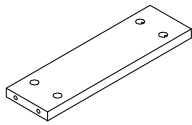
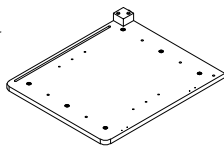
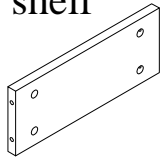
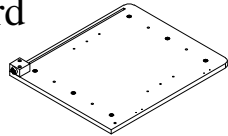
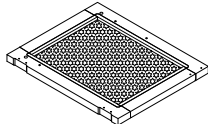
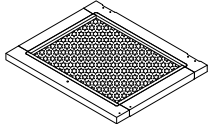
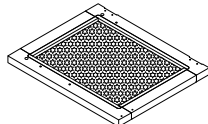
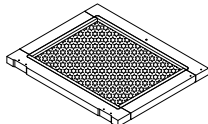
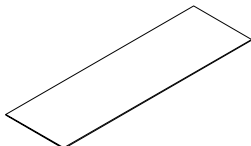
ASSEMBLY INSTRUCTIONS



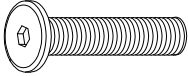

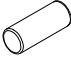
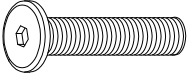
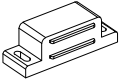



PRODUCT DETAILS


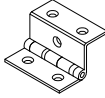





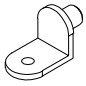




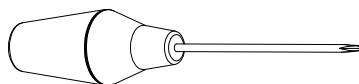
PARTS LIST

①	Seat cushion		1pc	⑩	Partition board		1pc
②	Top board		1pc	⑪	Floor shelf board		2pcs
③	Bottom board		1pc	⑫	Left side door shelf		2pcs
④	Base crossbar		1pc	⑬	Right side door shelf		2pcs
⑤	Secondary leg		1pc	⑭	Door shelf bottom board		2pcs
⑥	Left side board		1pc	⑮	Backboard of door shelf		2pcs
⑦	Right side board		1pc	⑯	Door frame 3		1pc
⑧	Door frame 1		1pc	⑰	Door frame 4		1pc
⑨	Door frame 2		1pc	⑱	Backboard		1pc

HARDWARE LIST

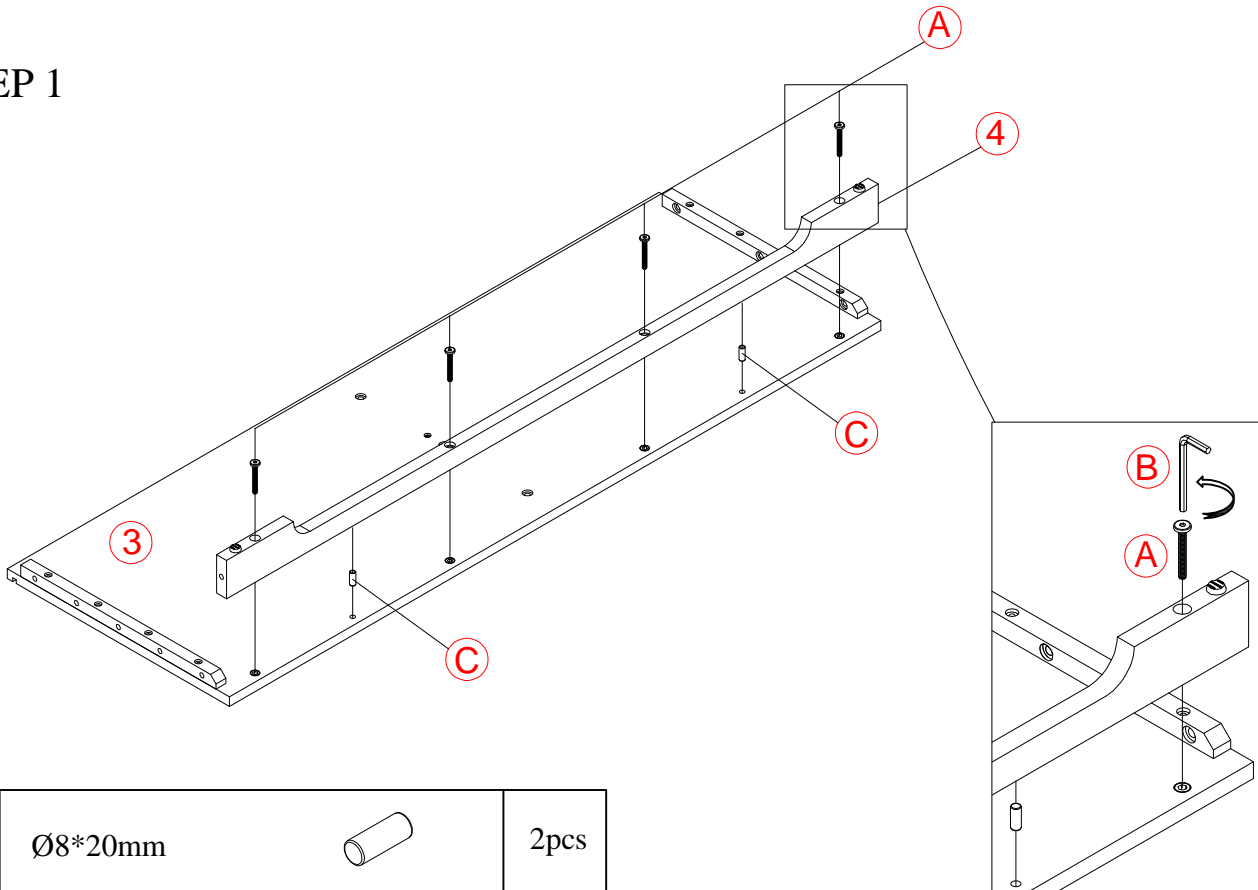
(A)	M6*35mm		4pcs
(B)	L4*58mm		1pc
(C)	Ø8*20mm		20pcs
(D)	M6*25mm		15pcs
(E)	L45mm		4pcs
(F)	3.5*12mm		56pcs
(G)	L45mm		4pcs
(H)	Ø 5 *35mm		4pcs

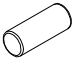
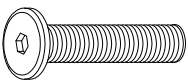
(I)	Ø10*10mm		16pcs
(J)	L40mm		8pcs
(K)	4*50mm		16pcs
(L)	Ø15 * 10		4pcs
(M)	Ø 30		4pcs
(N)	M4*25mm		4pcs
(O)	3.5*12mm		8pcs
(P)	L15mm		8pcs
(Q)	M6*50mm	 	3pcs




ASSEMBLY TOOLS REQUIRED (NOT INCLUDED)

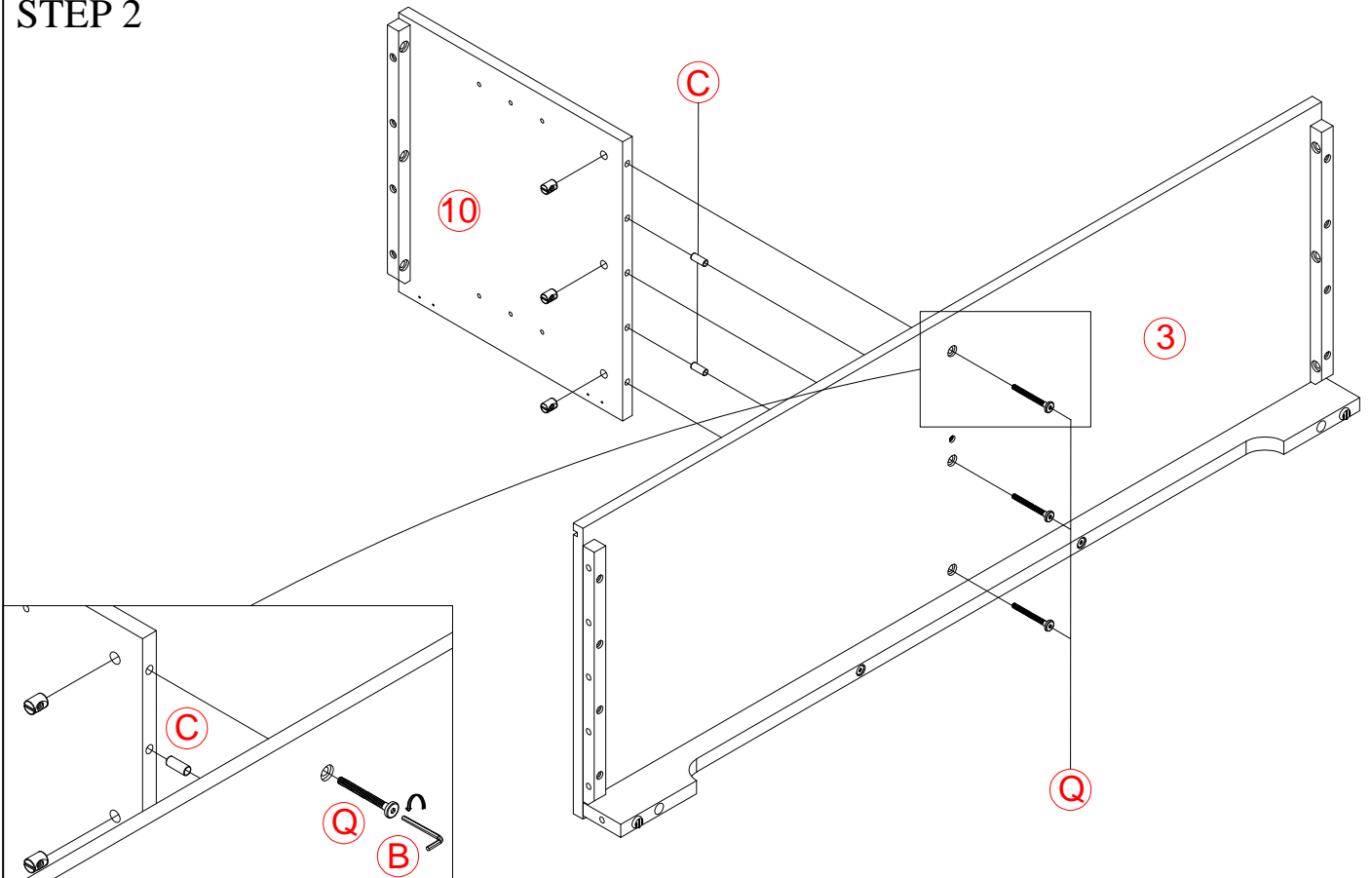
STEP 1




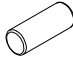
(C)	Ø8*20mm		2pcs
(A)	M6*35mm		4pcs

(B)	L4*58mm		1pc
------------	---------	---	-----

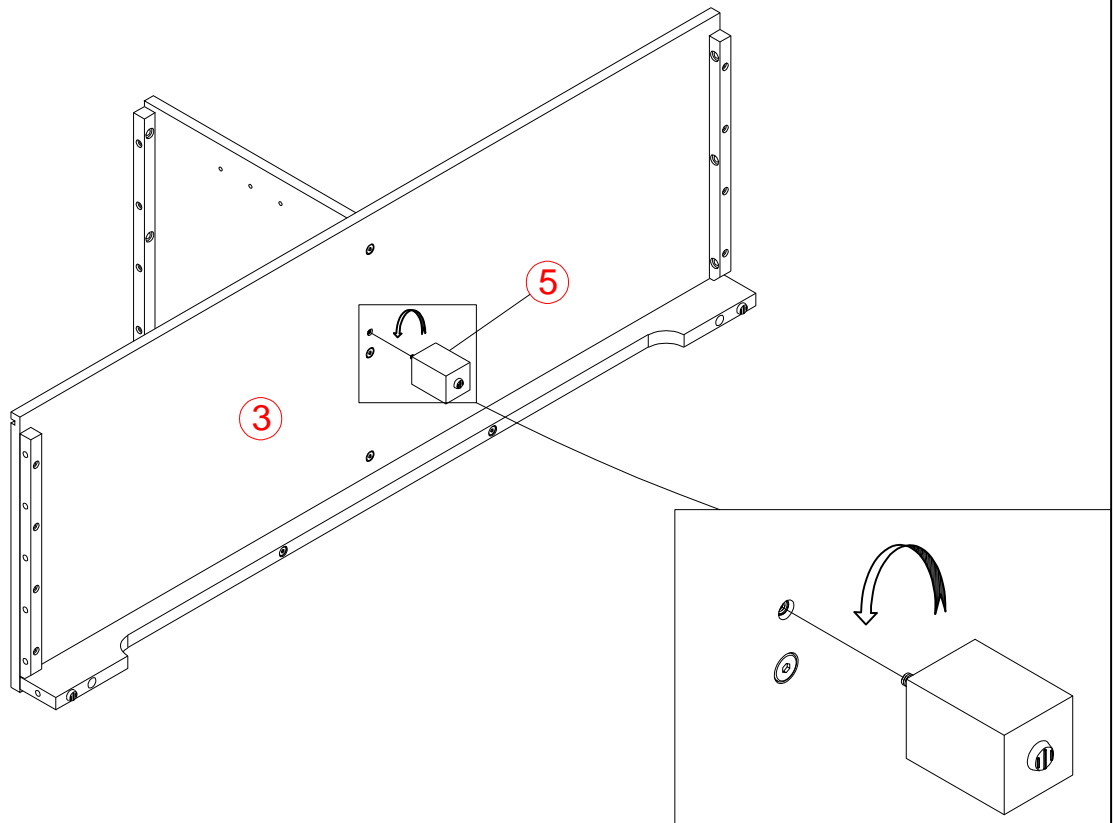
STEP 2



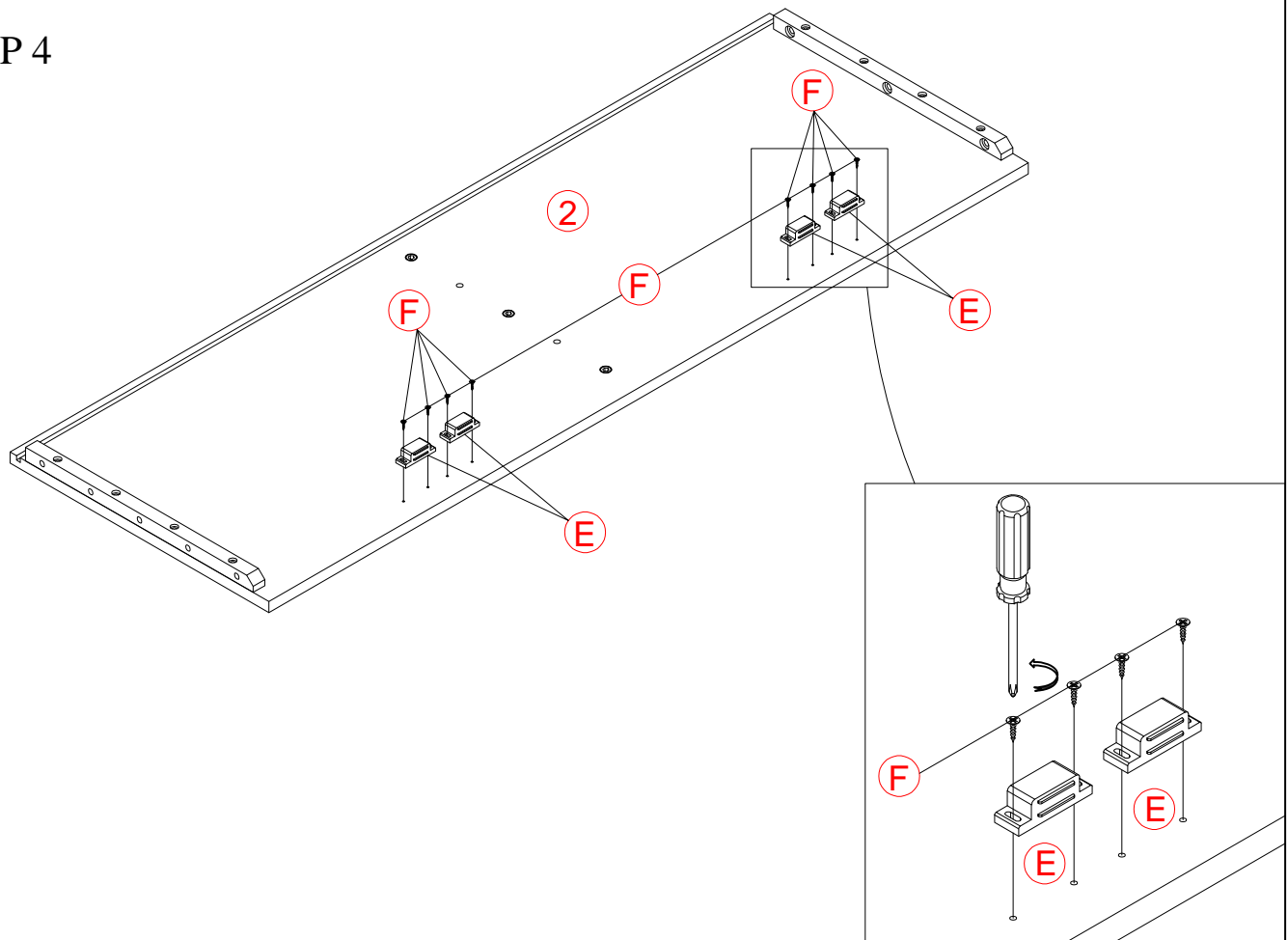
(Q)	M6*50mm		3pcs
------------	---------	---	------


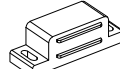


(C)	Ø8*20mm		2pcs
------------	---------	---	------

STEP 3

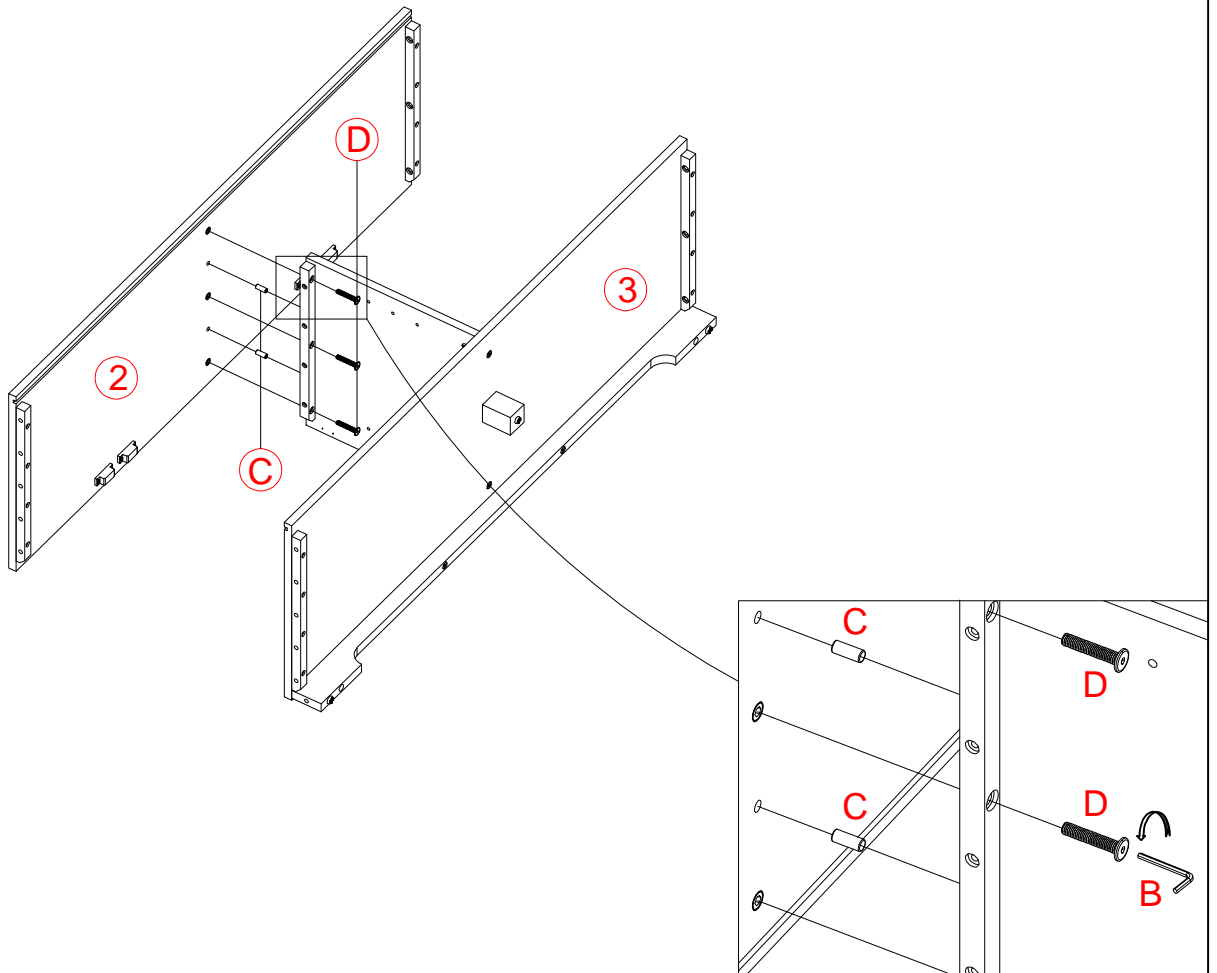



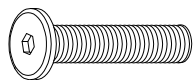
STEP 4





	L45mm 	4pcs		3.5*12mm 	8pcs
--	--	------	---	---	------

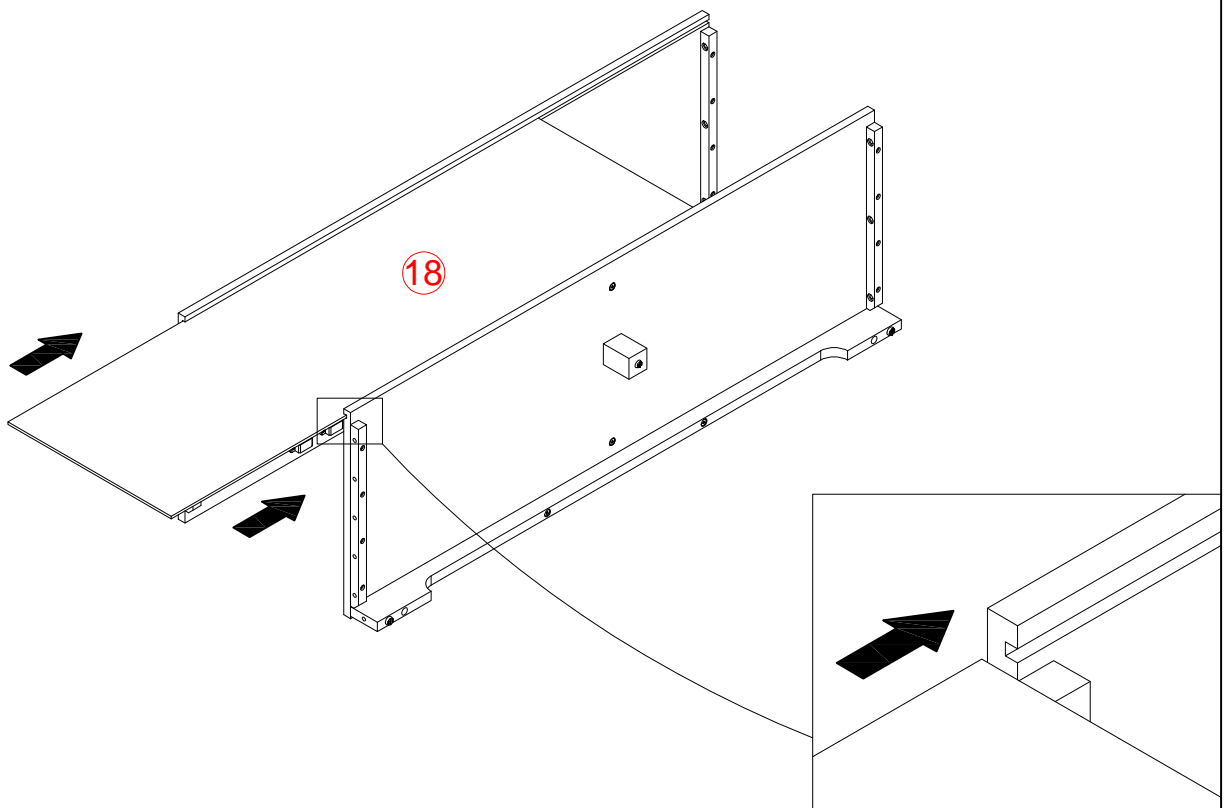
STEP 5



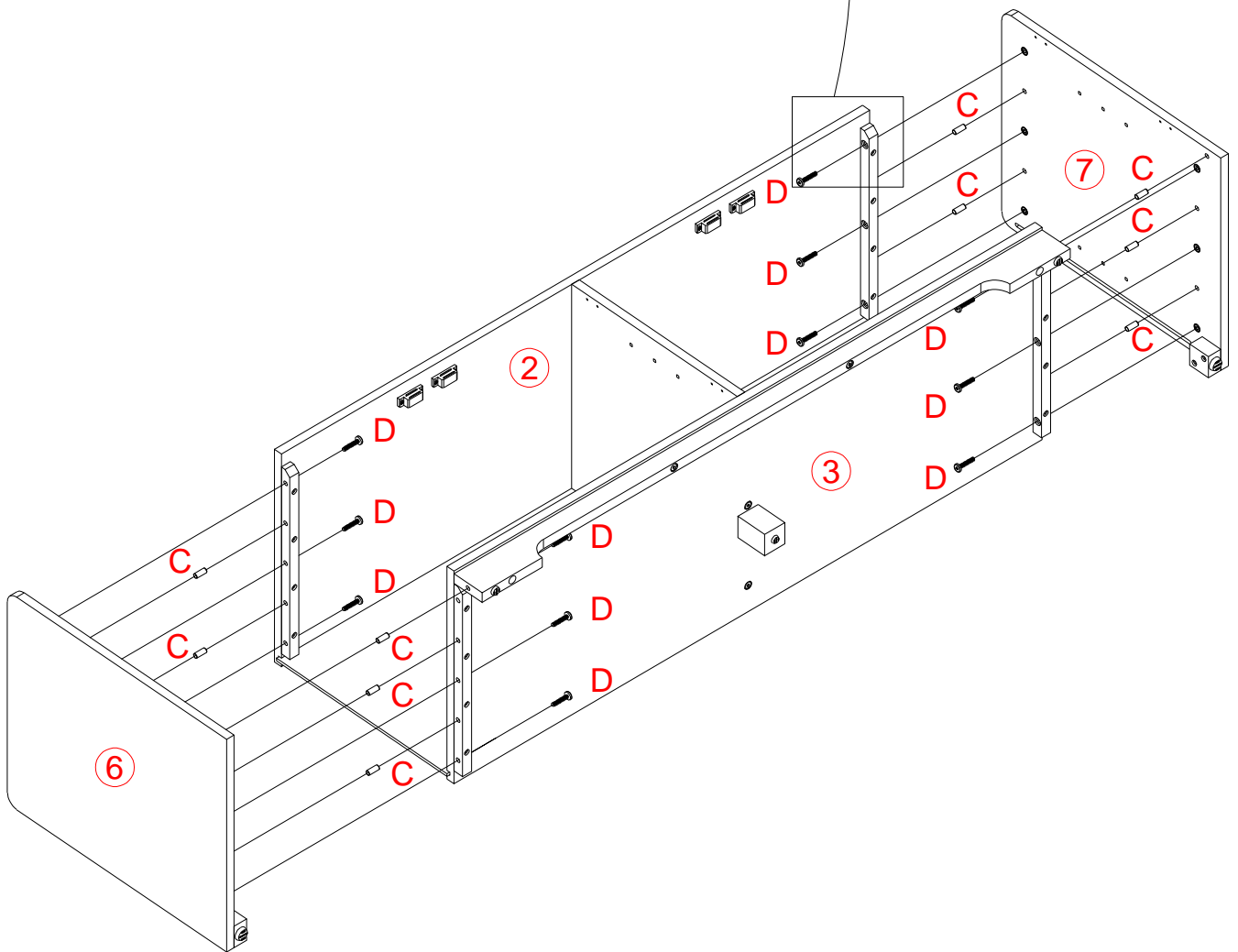
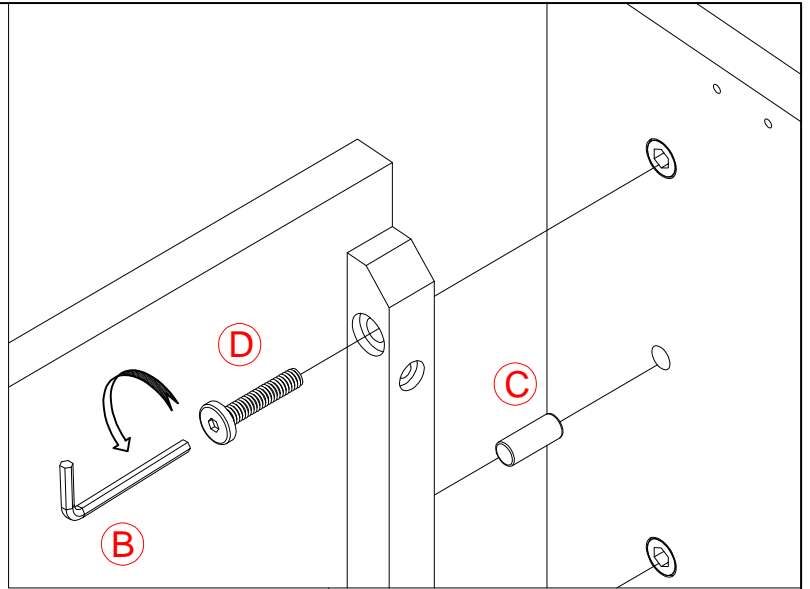
	M6*25mm		3pcs
---	----------------	---	-------------


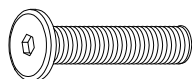

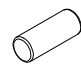
	Ø8*20mm		2pcs
---	----------------	---	-------------

STEP 6

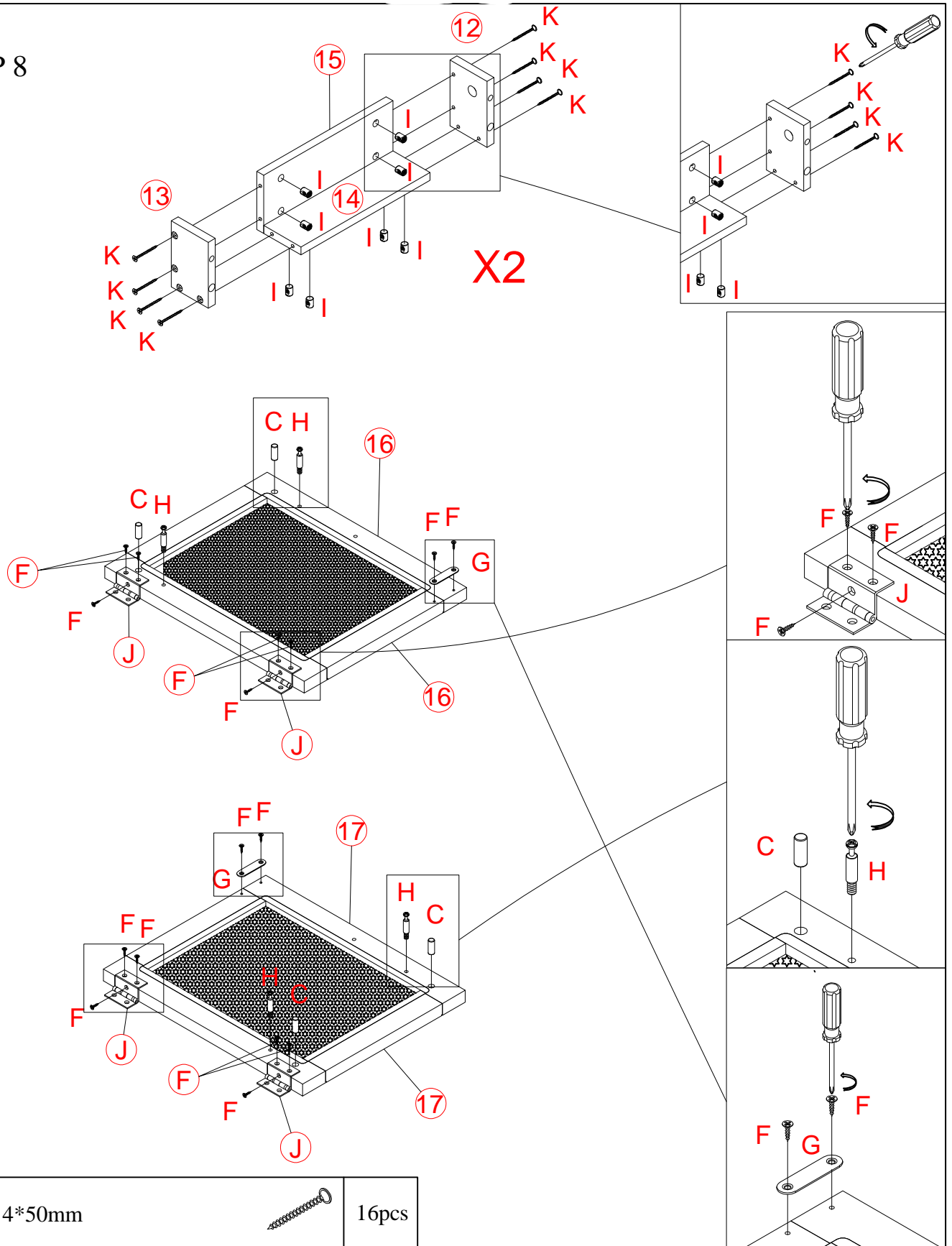




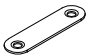

STEP 7

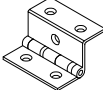




	M6*25mm 	12pcs		Ø8*20mm  10pcs
--	---	-------	---	---

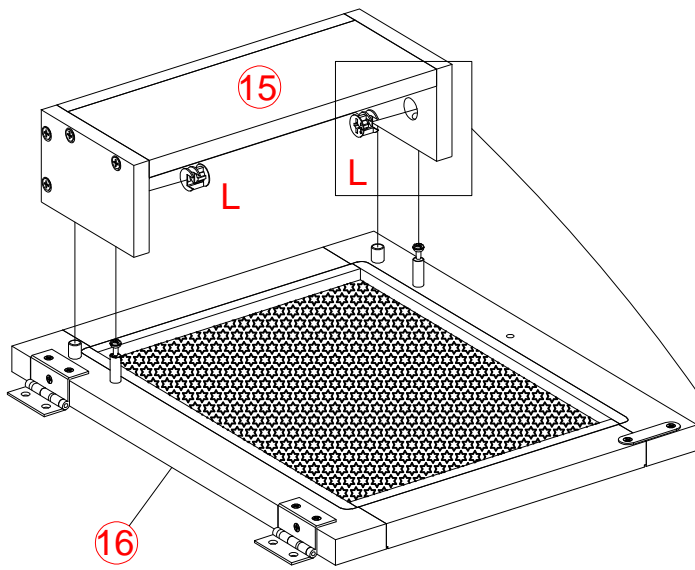
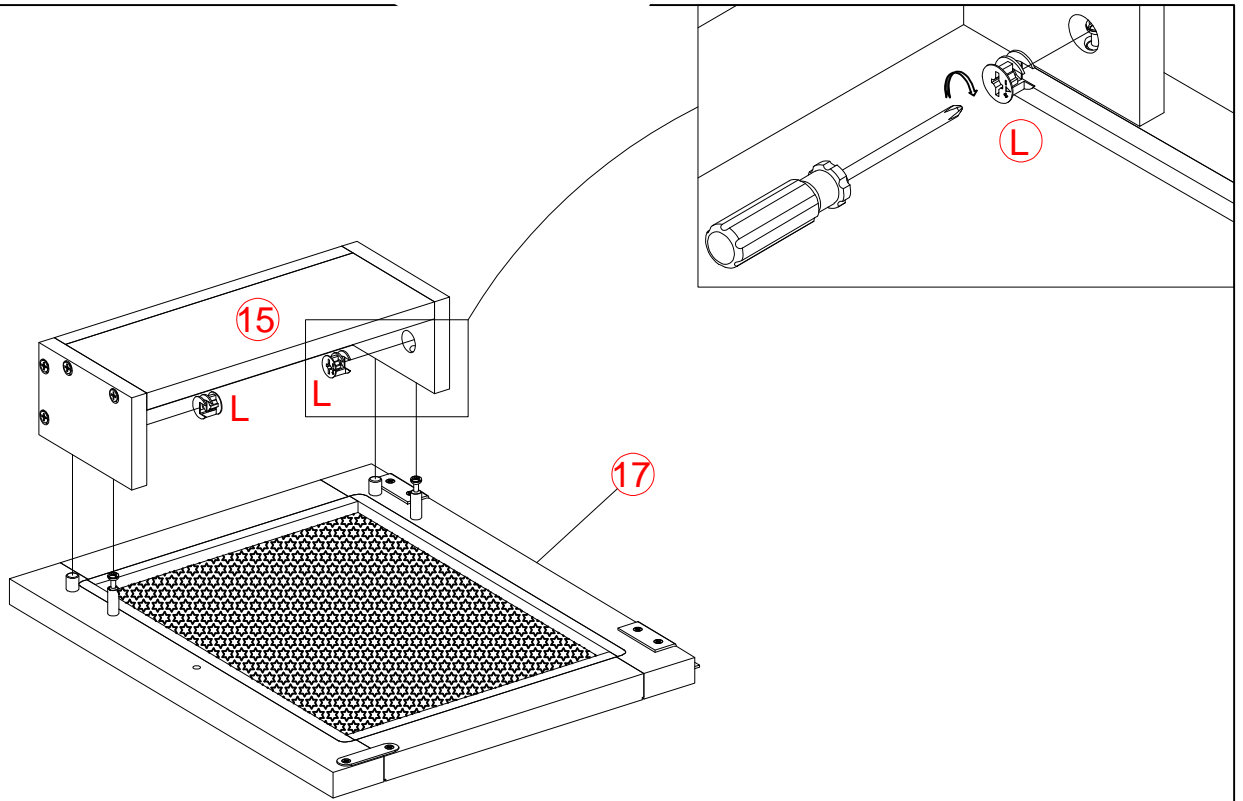
STEP 8



(K)	4*50mm		16pcs
(H)	Ø 5 *35mm		4pcs
(G)	L45mm		2pcs
(F)	3.5*12mm		16pcs

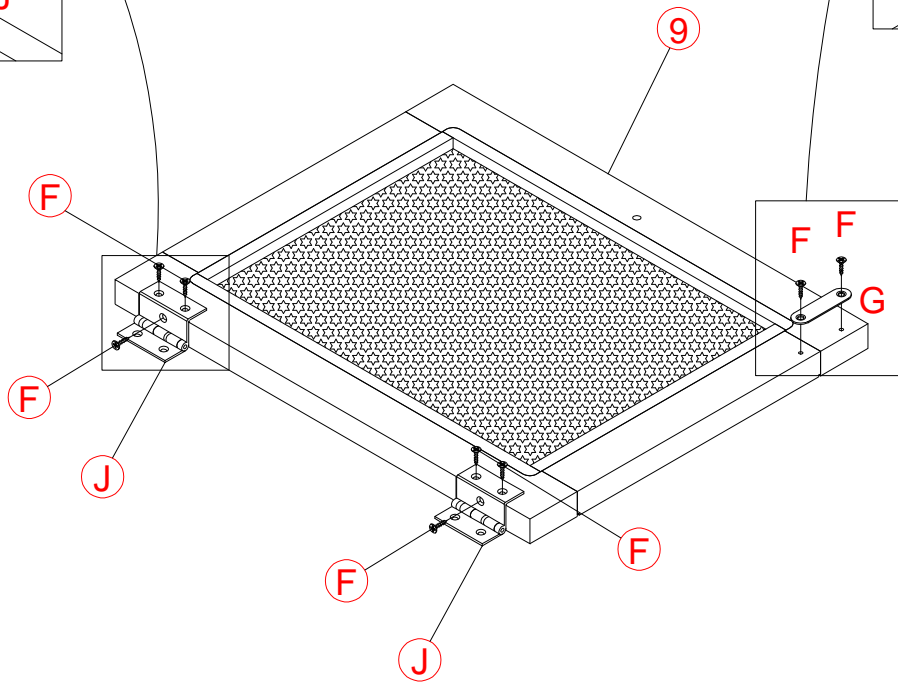
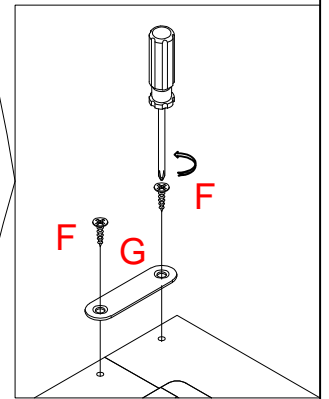
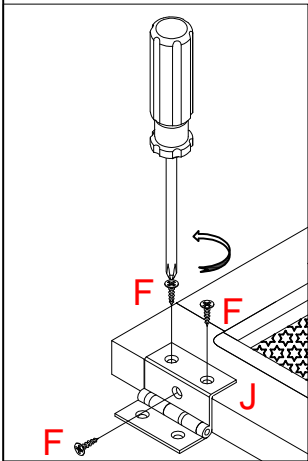
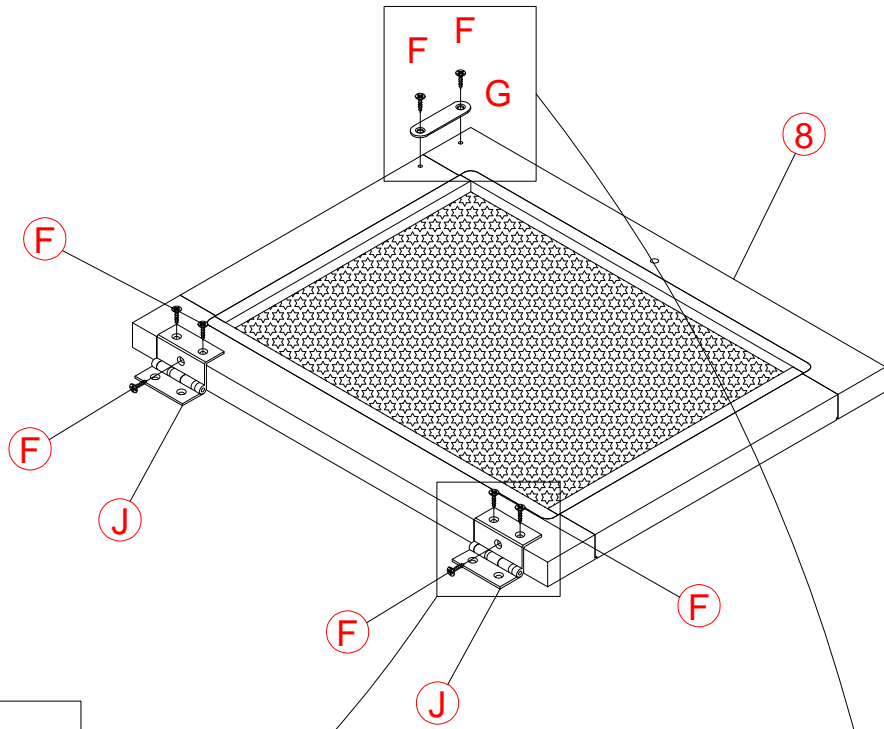
(J)	L40mm		4pcs
(I)	Ø10*10mm		16pcs
(C)	Ø8*20mm		4pcs

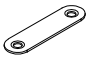

STEP 9



	Ø15 * 10		4pcs
--	----------	---	------

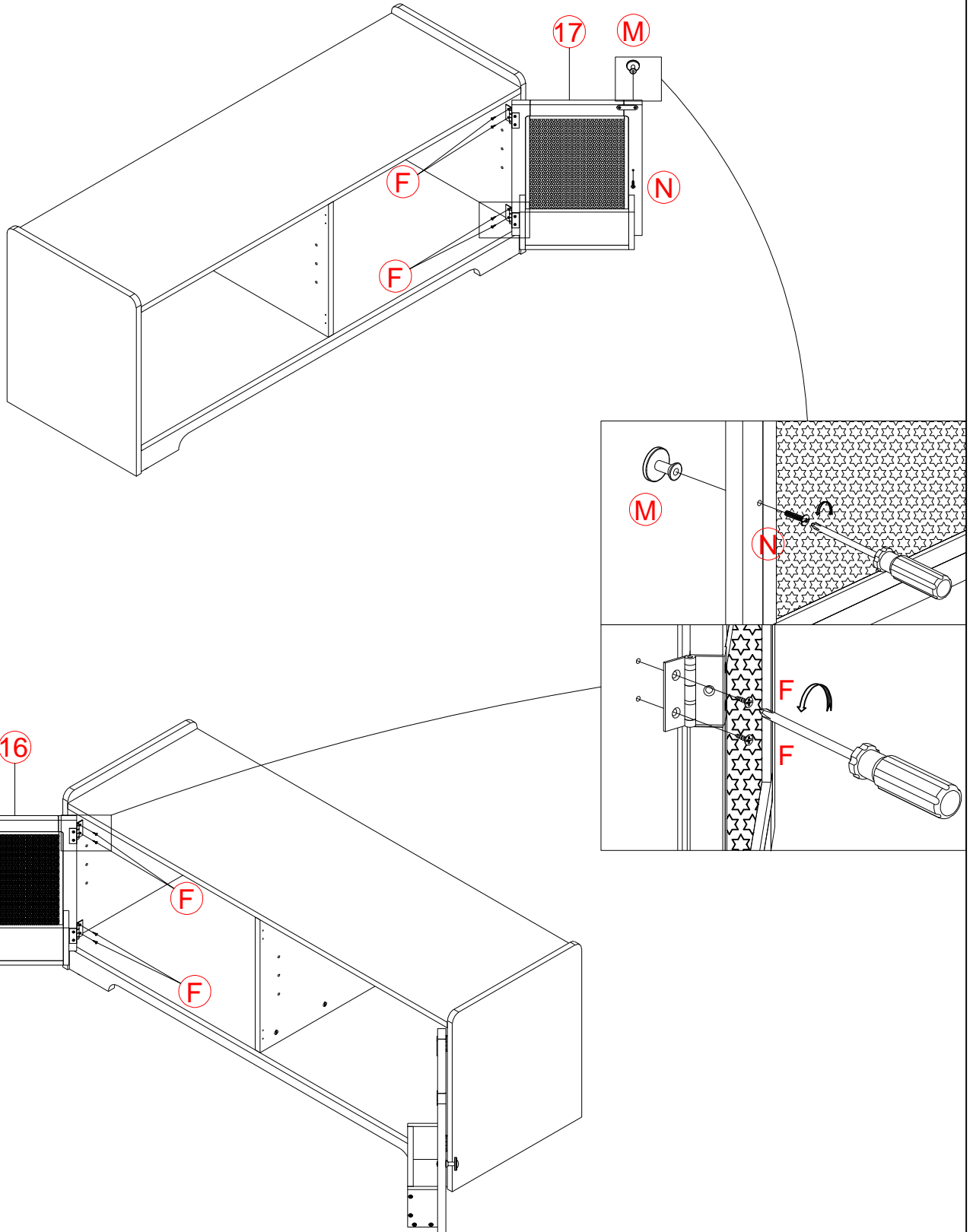
STEP 10









(G)	L45mm		2pcs
(F)	3.5*12mm		16pcs

(J)	L40mm		4pcs
------------	-------	---	------

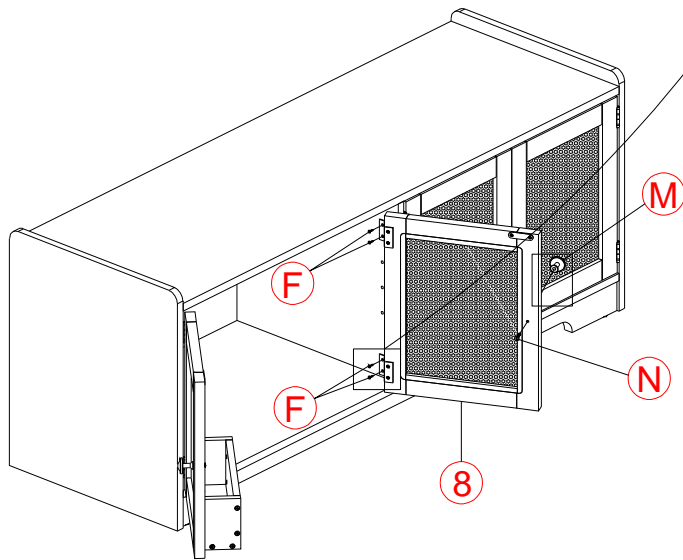
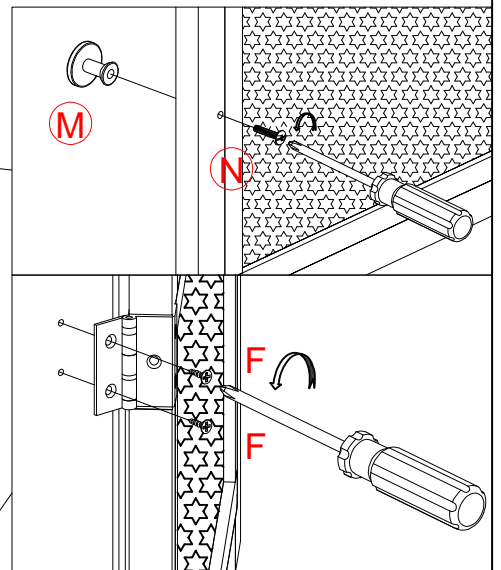
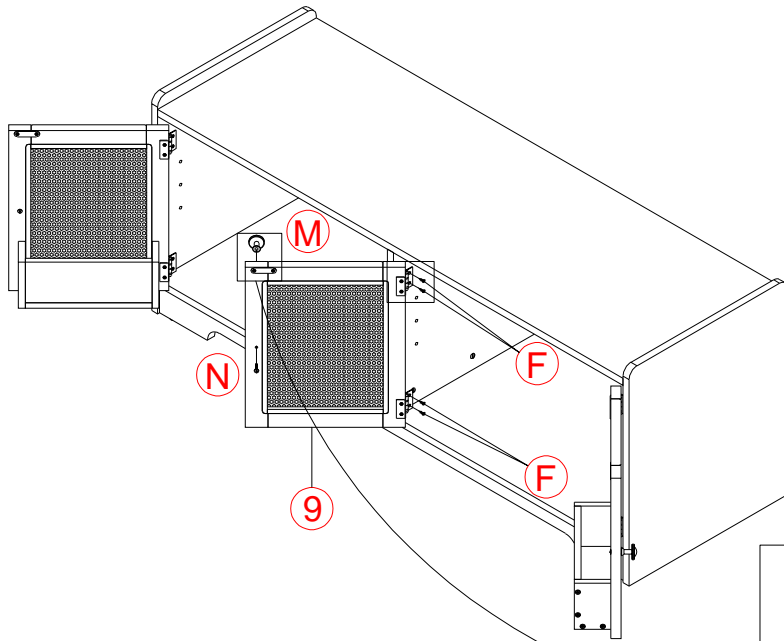
STEP 11





	M4*25mm 	2pcs
	3.5*12mm 	8pcs

	Ø 30 	2pcs
---	--	------

STEP 12

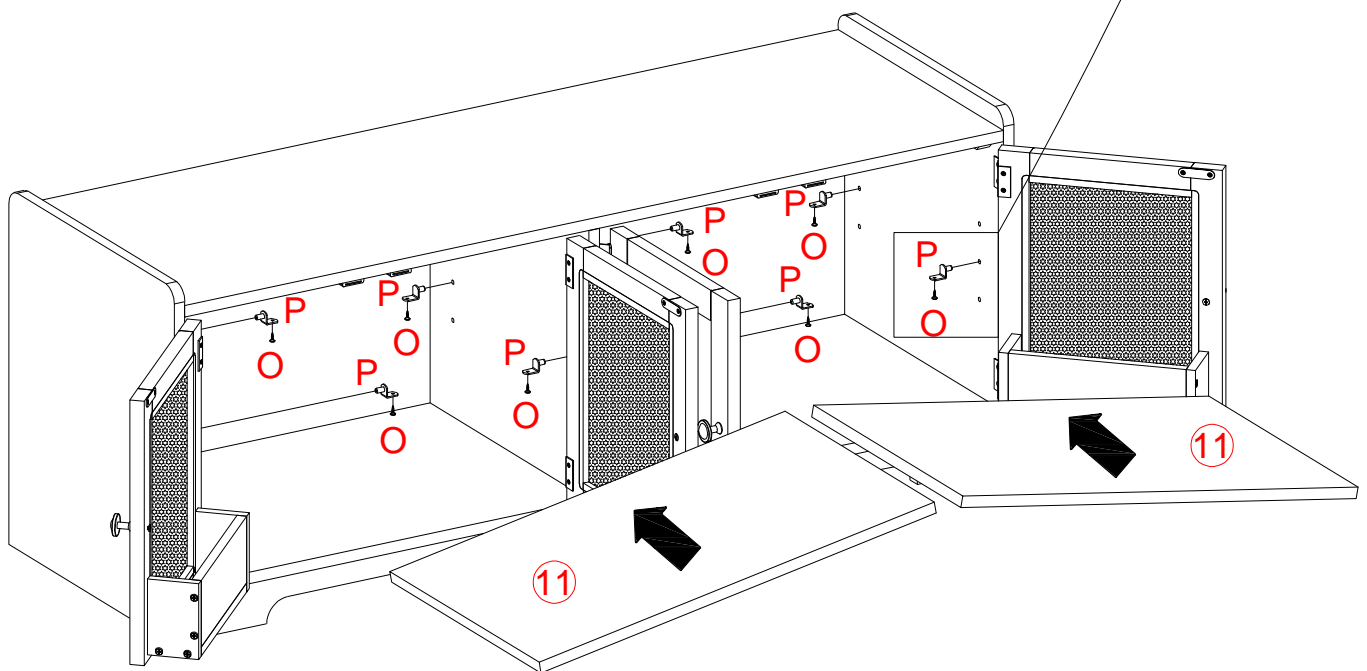
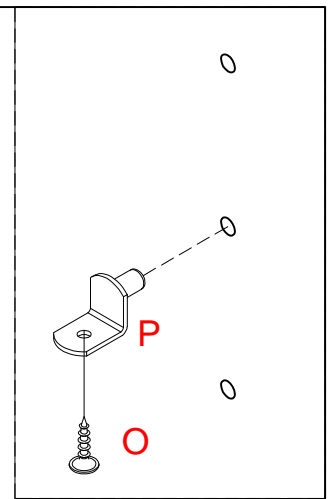



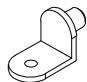
(N)	M4*25mm		2pcs
(F)	3.5*12mm		8pcs

(M)	Ø 30		2pcs
------------	------	---	------

STEP 13

IF THE TABLE NEEDS A FIXED SHELVING
PLEASE USE (O) IF YOU NEED A MOBILE
SHELVING PLEASE DO NOT USE (O)



	3.5*12mm 	8pcs		L15mm	 8pcs
--	--	------	--	-------	--

STEP 14

