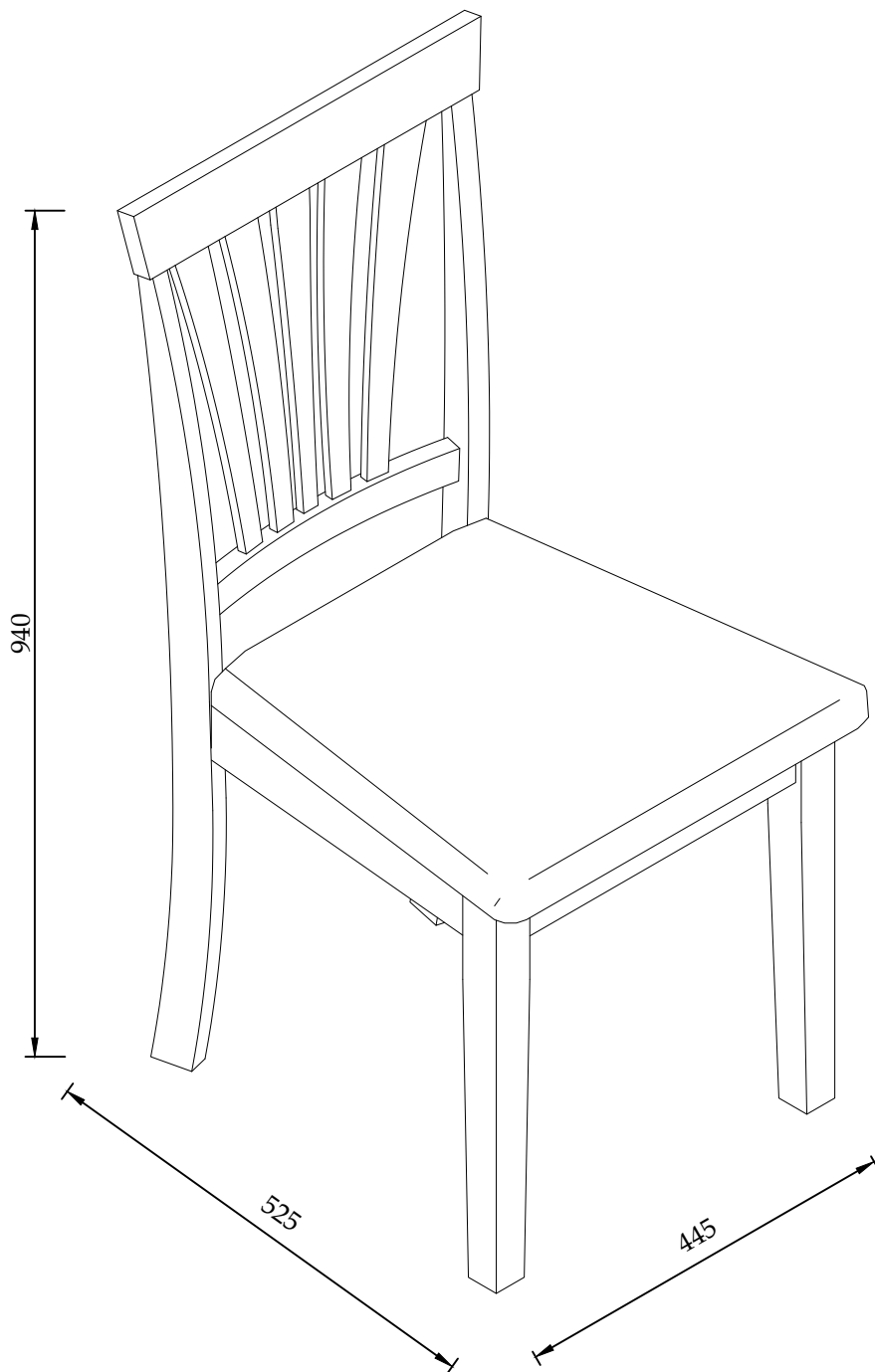


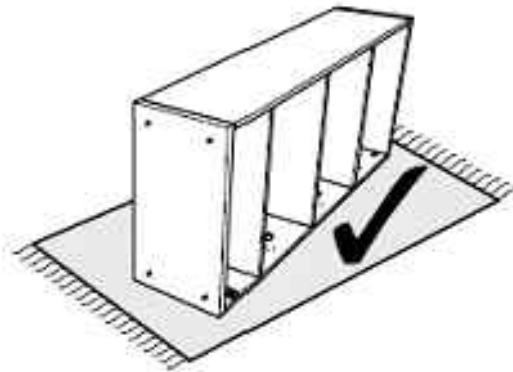
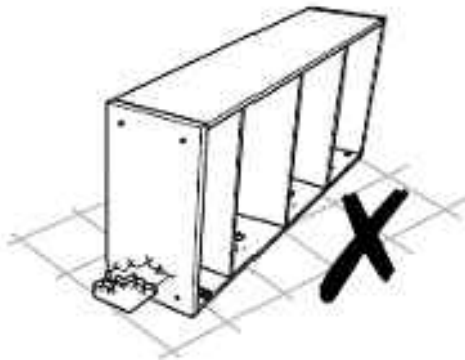
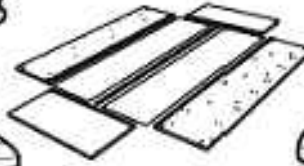
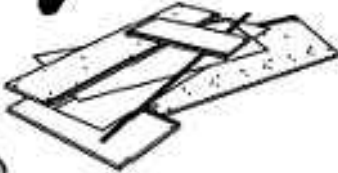
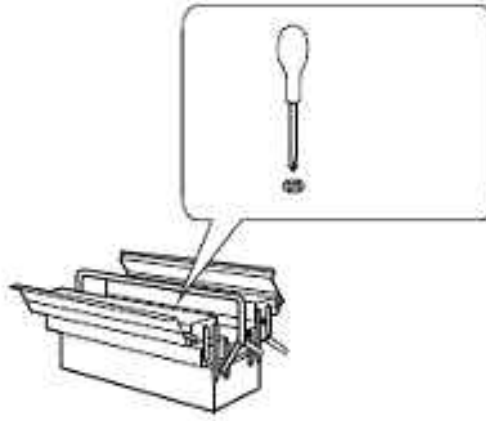
# Dining Chair

## Assembly Instructions



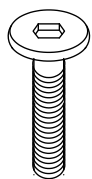
VERSION 180620

STA 002

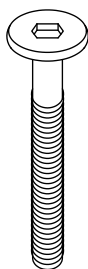


Customer Service  
(01623 727374)

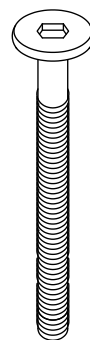
# HARDWARE



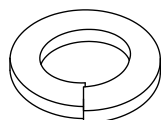
A  
m6x35  
4x



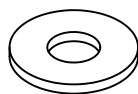
B  
m6x60  
8x



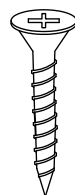
C  
m6x80  
8x



D  
m8  
20x



E  
m6  
20x

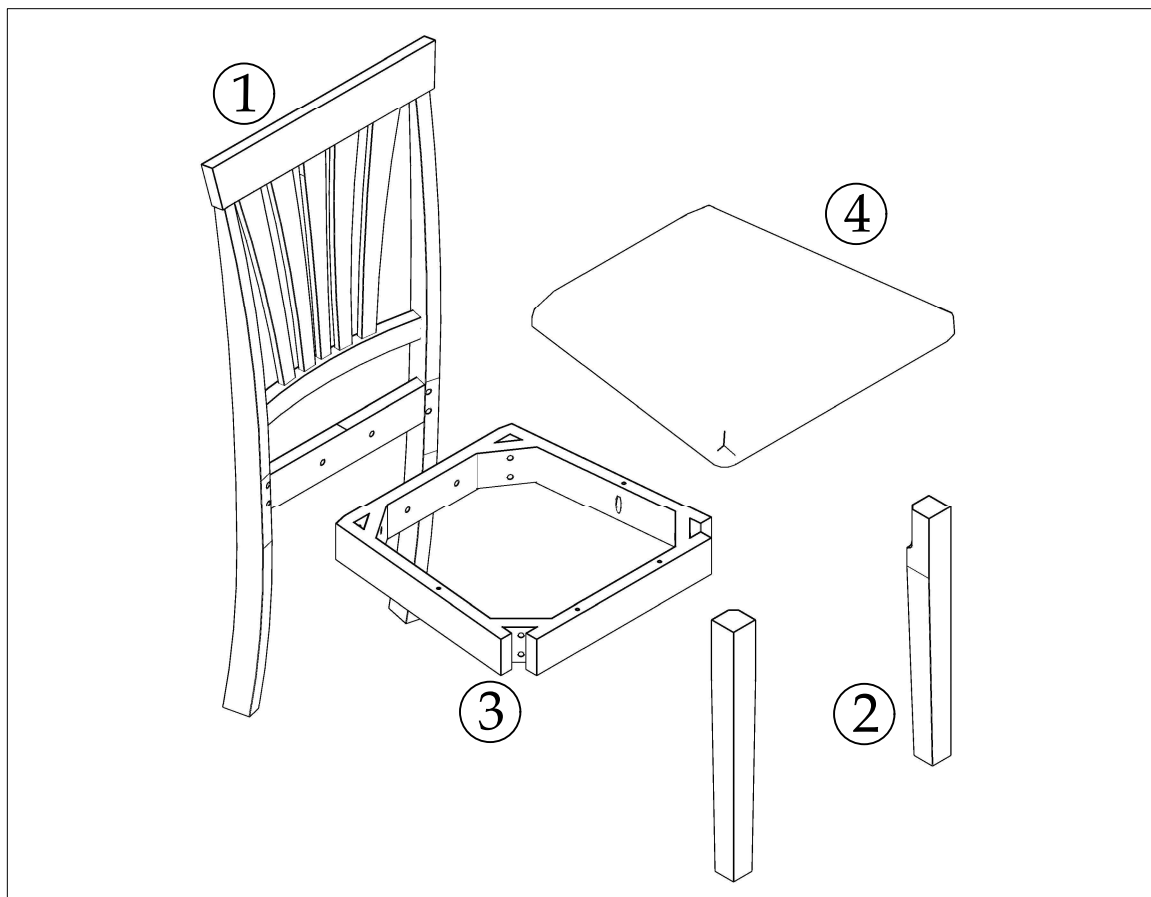


F  
m4  
8x



G  
m4  
1x

# PARTS



# Safety Advice

Please take the time to carefully read through the whole of these instructions before you commence.

Keep these instructions for future reference.

Unpack, inspect and check off all of the contents.

Please dispose of all packaging safely.

Small component parts could choke a child if swallowed. We strongly recommend that you keep children well away from the work area.

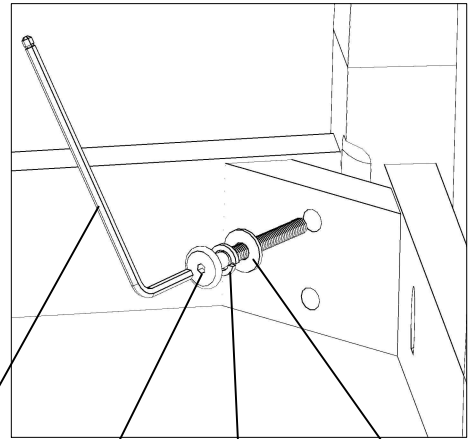
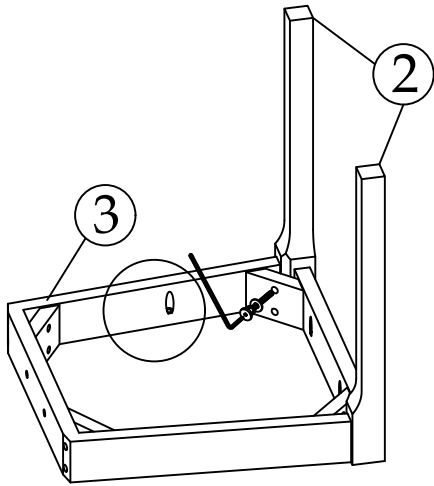
It would be sensible to lay a sheet or blankets on the floor where you intend to work to avoid scratching this product and to protect your floor.

Take extreme care when lifting to avoid personal injury or damage to the product.

Assemble the product as close to its intended final position on the room as possible.

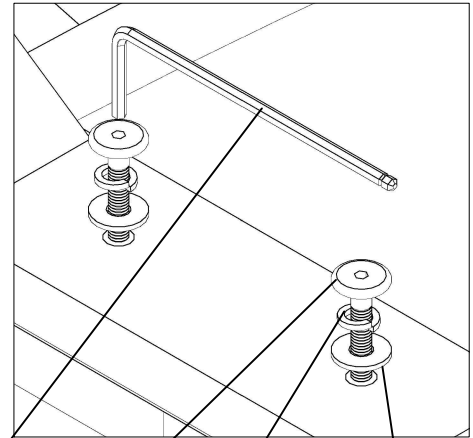
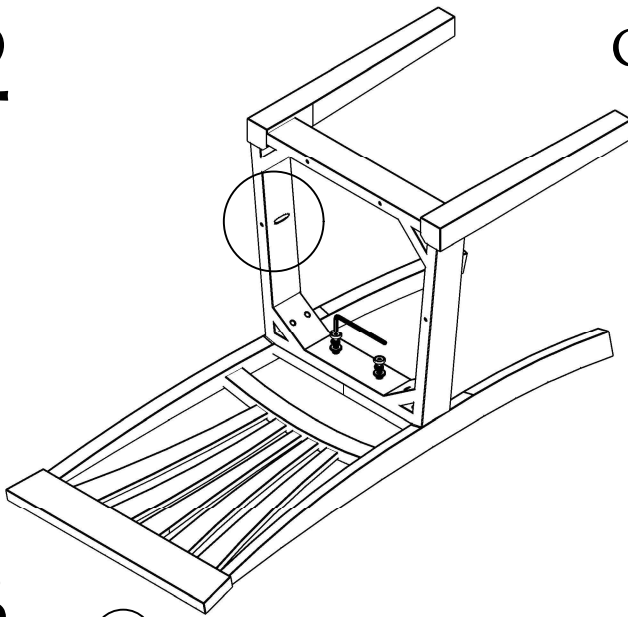
**HANDY HINT:** If you keep the hardware in a bowl during assembly you will be less likely to lose them.

1



G 1x B 4x D 4x E 4x

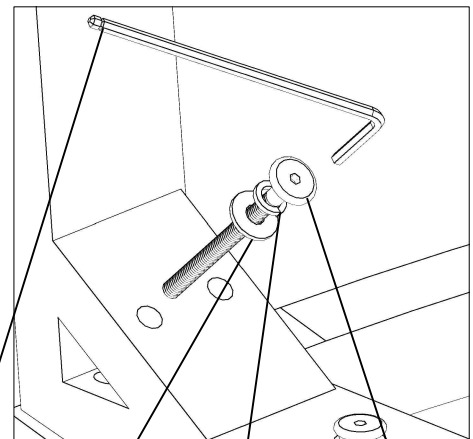
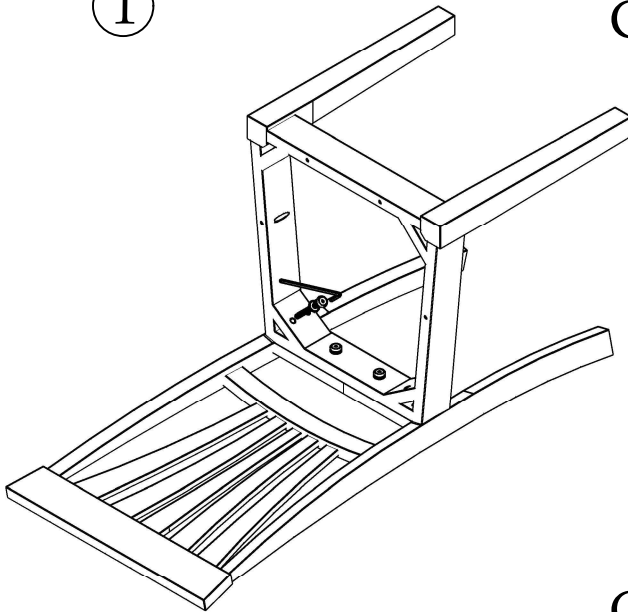
2



G 1x A 2x D 2x E 2x

3

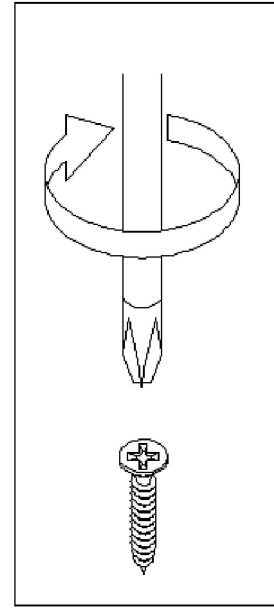
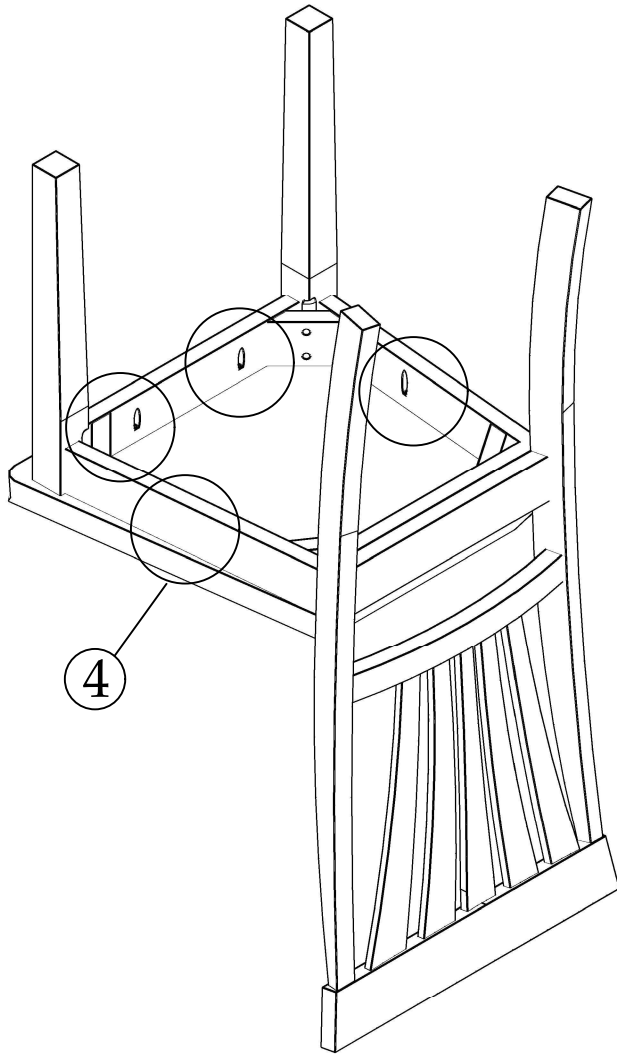
①



G 1x E 4x D 4x C 4x

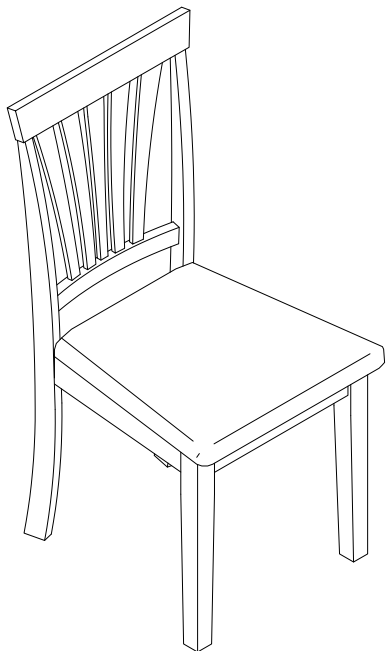
**\*\*Please do not fully tighten any bolts or screws until the final step\*\***

4



F 4x

5



**IMPORTANT!!**

Carefully turn the chair upright and place on a flat surface.

Make adjustments to ensure the chair frame is straight and legs are even on the floor then **FULLY TIGHTEN ALL BOLTS** assembled in previous steps using Allen Key (G)

## **General Care**

Wipe clean with a slightly damp soft cloth.

Avoid the use of all household cleaners and abrasives.

When moving your furniture, carefully lift into place.

Never drag or push the pieces across the floor as this will cause damage to the joints and could result in failure to the product that will invalidate the warranty.

## **Recommendations**

Periodical re-tightening of fixings.

## **Notes**

We've tried to make this piece of furniture as easy to assembly as possible. In unlikely event that you have problems putting it together or have damaged or missing pieces, please contact our customer services on 01623727374