




THANK YOU FOR PURCHASING OUR PRODUCTS!


This furniture is designed for indoor application. Please read this booklet carefully and use all the items correctly as described. And please kindly note that the warranty does not apply to any product that has been improperly used.

After unboxing and before assembly, please check whether there are any parts damaged. If yes, please contact our customer service team by calling the numbers below. Meanwhile, please check whether you have all the parts and hard ware listed. If there is any missing item, also please contact us immediately.

EU  **Monday- Friday**
9:00AM-5:00PM (DE, FRA)

 **Customer Hotline**
(0049) 6145-376920

USA  **Monday-Friday**
9:00AM-5:00PM (PST)

 **Customer Hotline**
(001) 626-5818-998

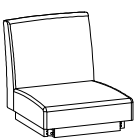
Before Assembly

- Remove all wrapping materials, staples and packing straps.
- Read the Parts List and Hardware List carefully, make sure all parts and hardware are intact.
- Place all parts on a clean and smooth surface, such as a rug or carpet, to prevent the parts from being scratched.
- Do not cross-thread screws.
- Do not use electric tools.



Make sure all bolts and screws are fully tightened before using chair.

Components



A: 1 PC



B: 1 PC



C: 1 PC



D: 1 PC



E: 1 PC



F1: 1 PC



F2: 1 PC

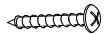


G: 2 PCS



1/4" x 57mm

H: 8 PCS



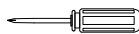
#8 x 38mm

I: 8 PCS



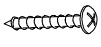
1/4"

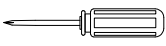
J: 1 PC

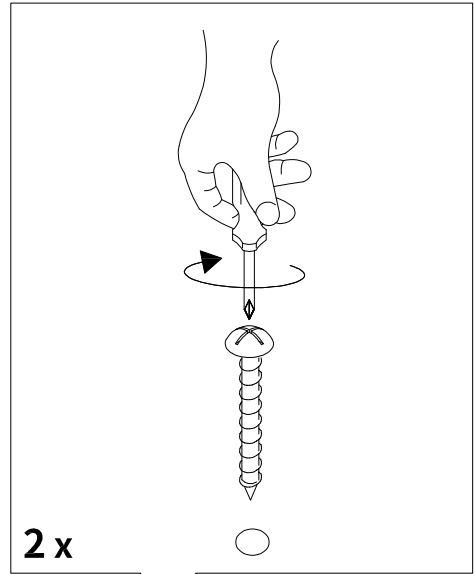
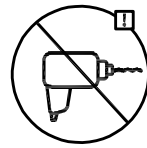
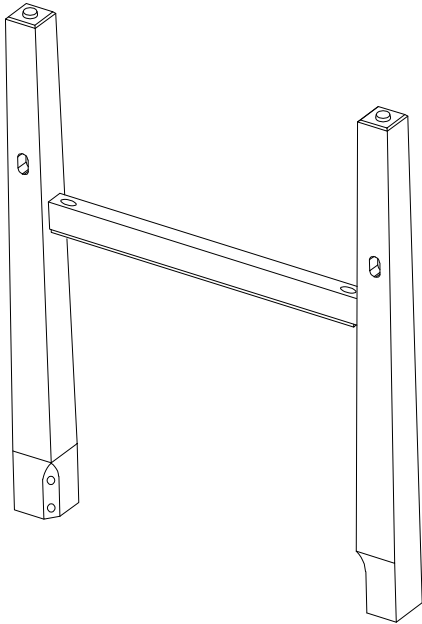


K: 1 PC (Not Provided)

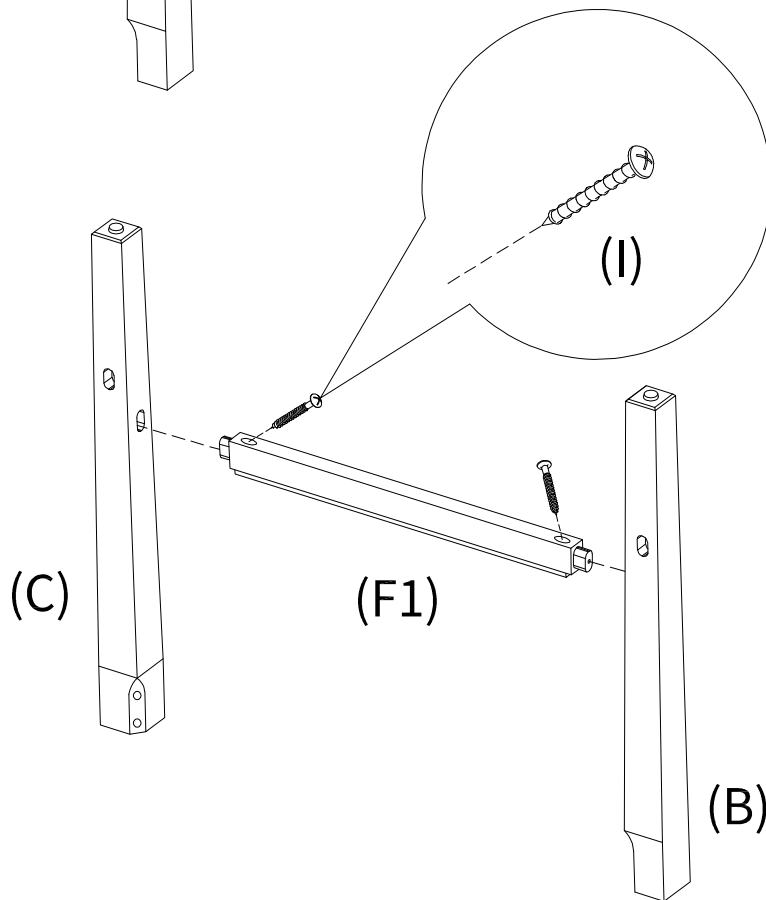
1

I  #8 x 38mm (2 PCS)

K  (1 PC)

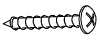


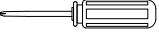
Please insert the screw into the correct pilot hole direction.

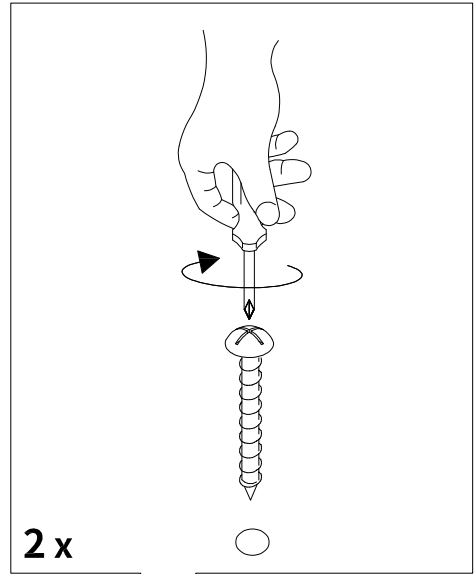
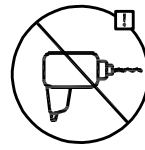
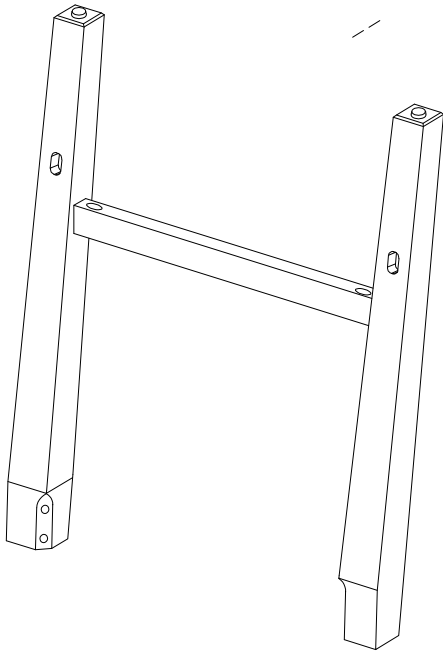


Do not tighten
the screws

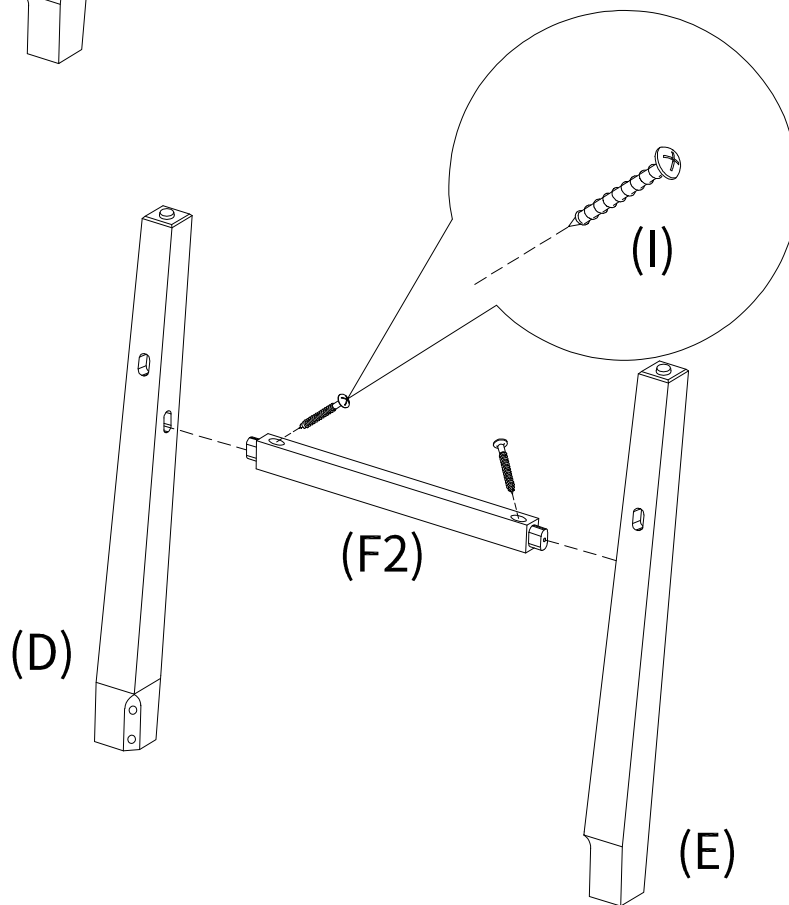
2

I  #8 x 38mm (2 PCS)

K  (1 PC)



Please insert the screw into the correct pilot hole direction.

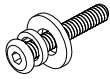


Do not tighten
the screws

3

3

H

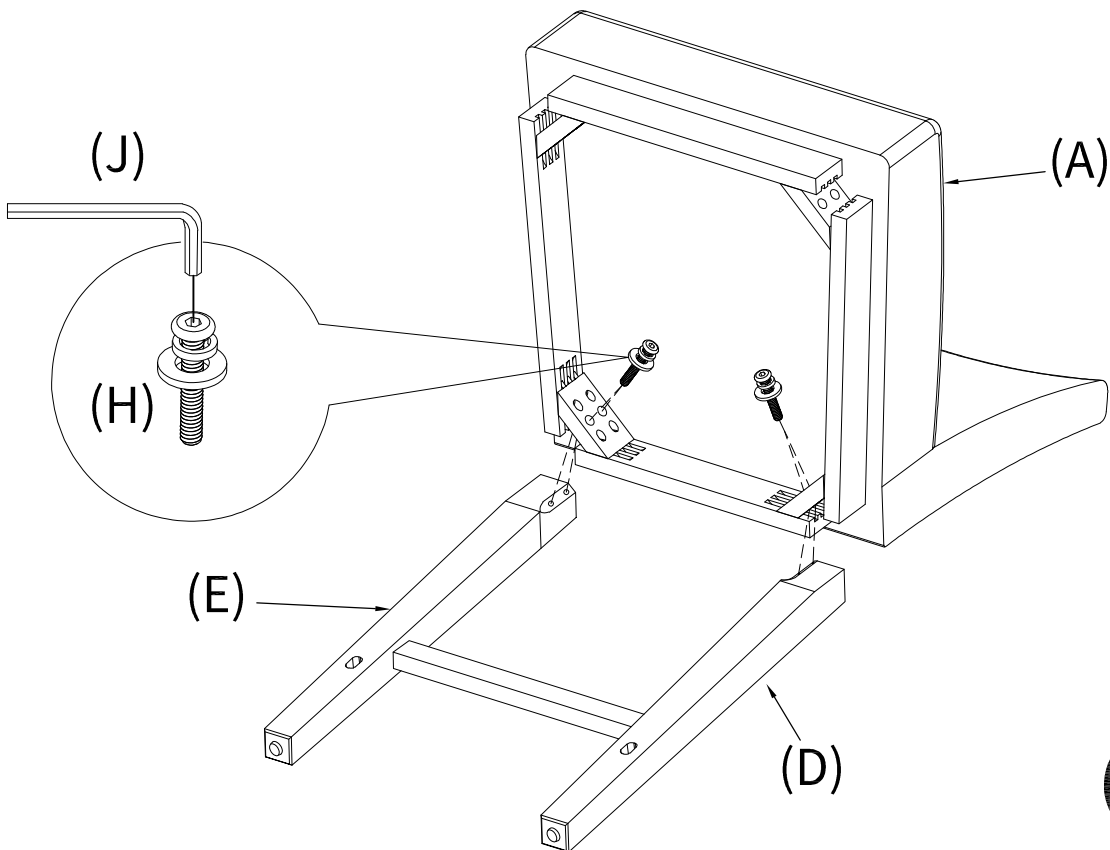
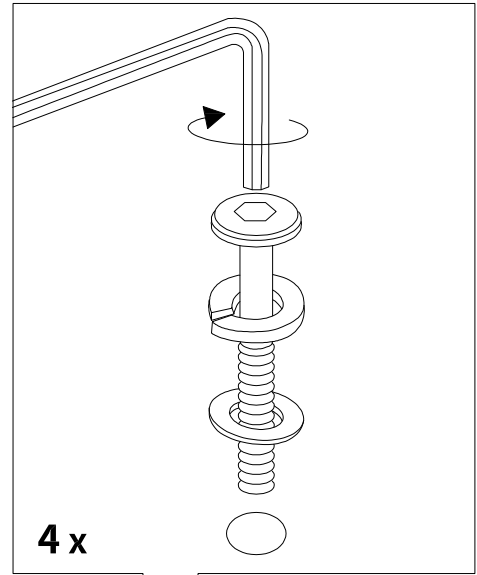
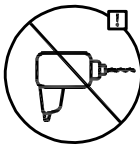


1/4" x 57mm (4 PCS)

J

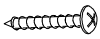


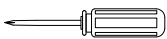
1/4" (1 PC)

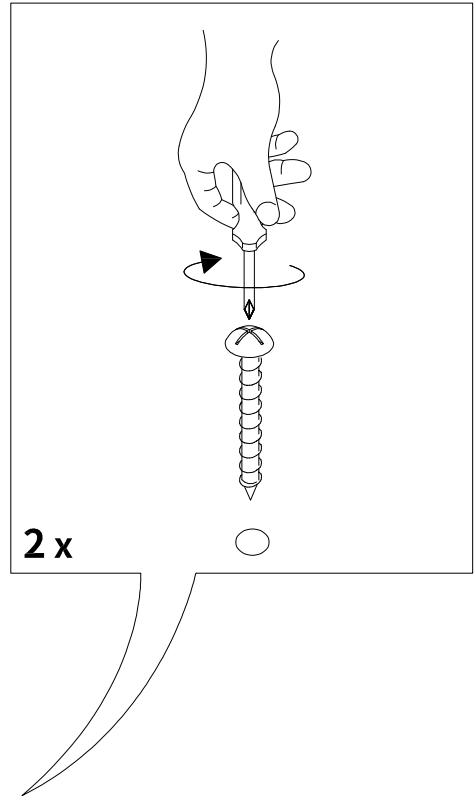
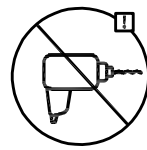


Do not tighten
the screws

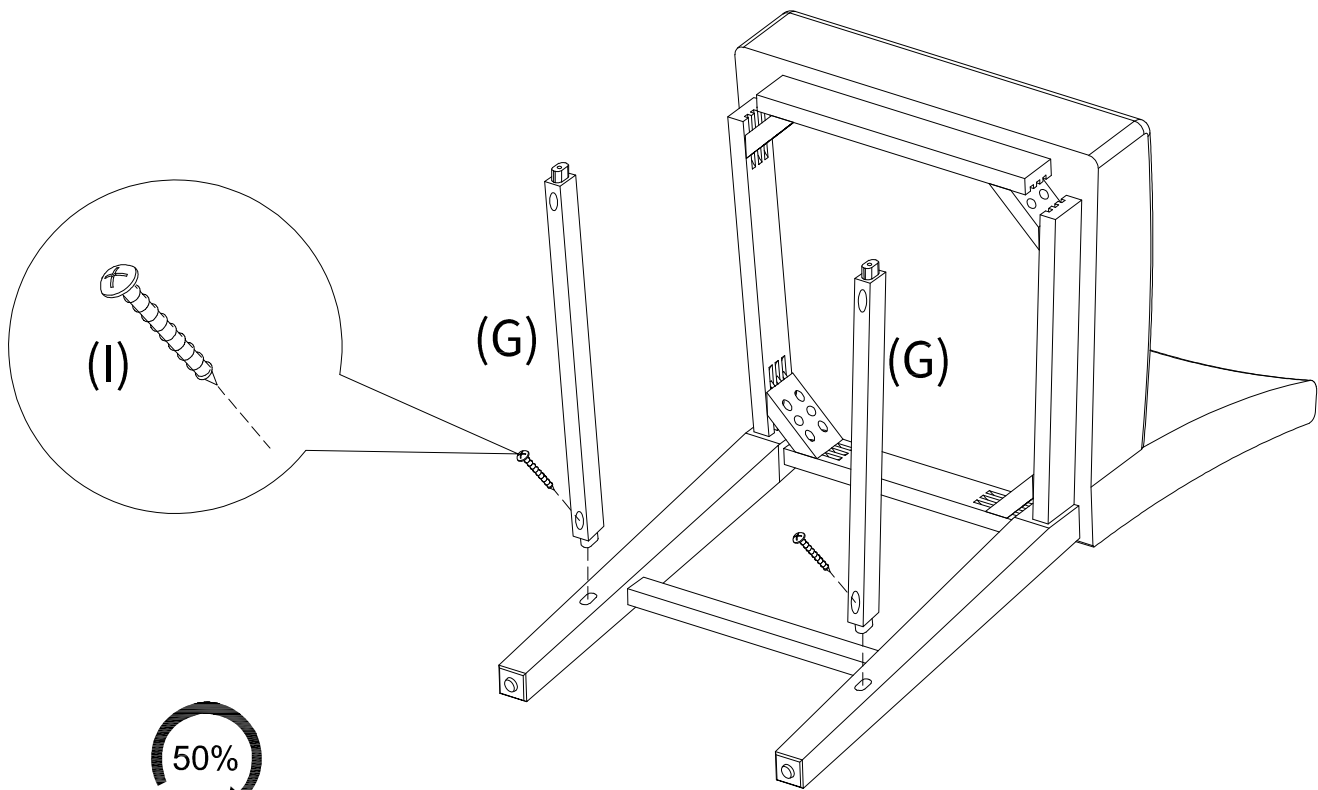
4

I  #8 x 38mm (2 PCS)

K  (1 PC)



Please insert the screw into the correct pilot hole direction.



Do not tighten
the screws

6

