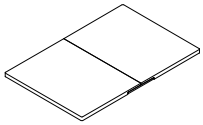


Before you begin, please read Page 2 of "Assembly and Care Advice".

And remember, do not tighten until each step is completed or instructed.

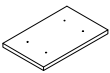
Parts List



#1 x 1pc
Top Panel

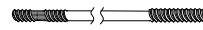


#2 x 1pc
Base



#3 x 1pc
Bottom Panel

Hardware List



#A x 4pcs
ROD



#B x 4pcs
Flat Washer



#C x 4pcs
NUT



#D x 1pc
M8

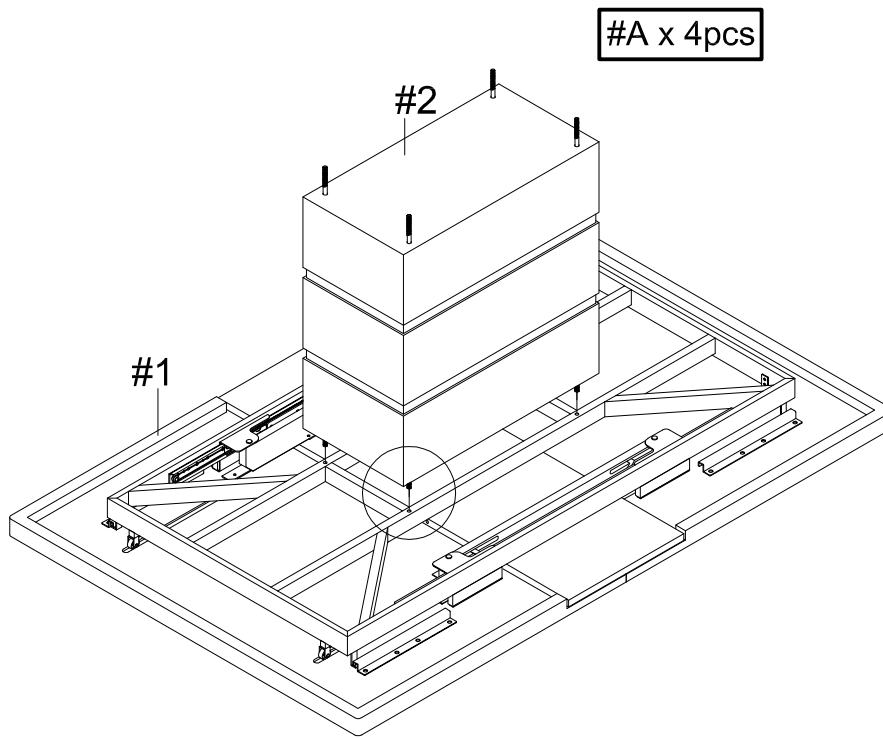


#E x 6pcs
Adjustable Foot

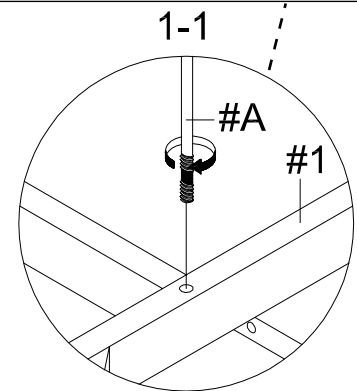


#1

1. Insert the rods (#A) into the holes along the bottom of the top panel (#1), then turn right to tighten.



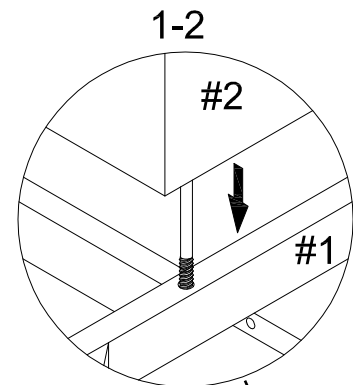
#A x 4pcs



1-1

#A

#1



1-2

#2

#1

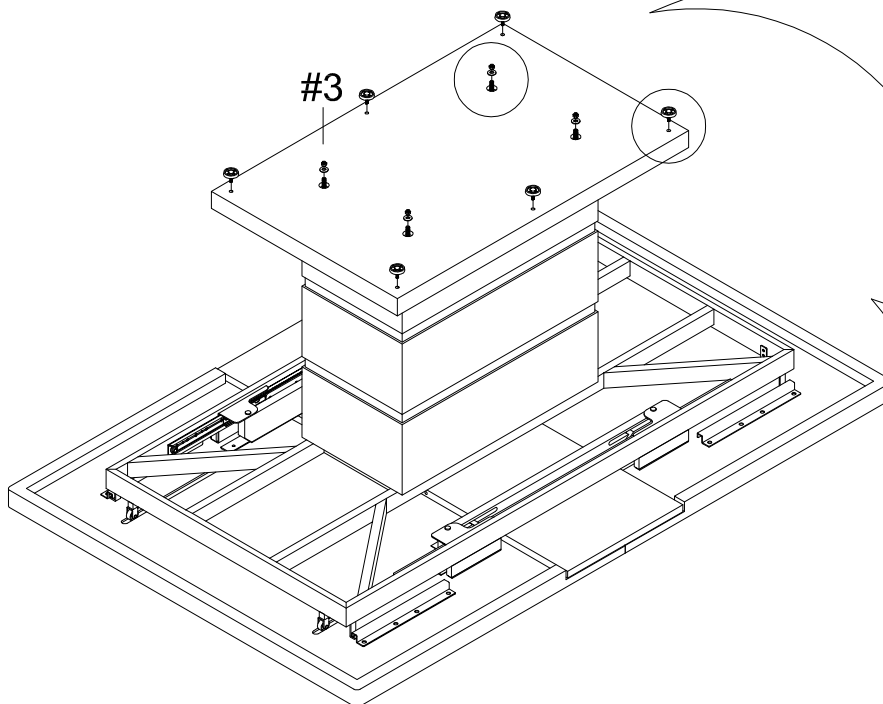
2. Slide the base (#2) onto the rods.



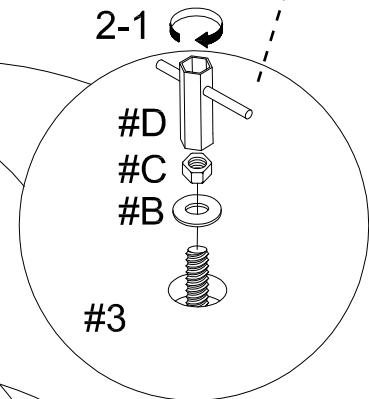
#2

1. Insert a flat washer (#B) then a nut (#C) onto each end. Secure using the M8.

#B x 4pcs
#C x 4pcs
#E x 6pcs



#3



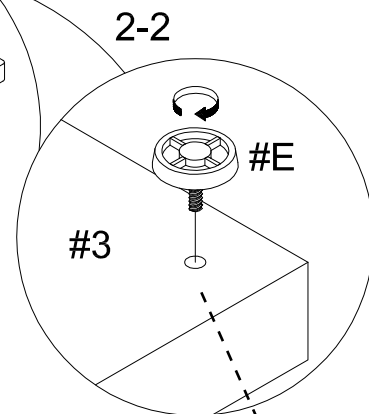
2-1

#D

#C

#B

#3

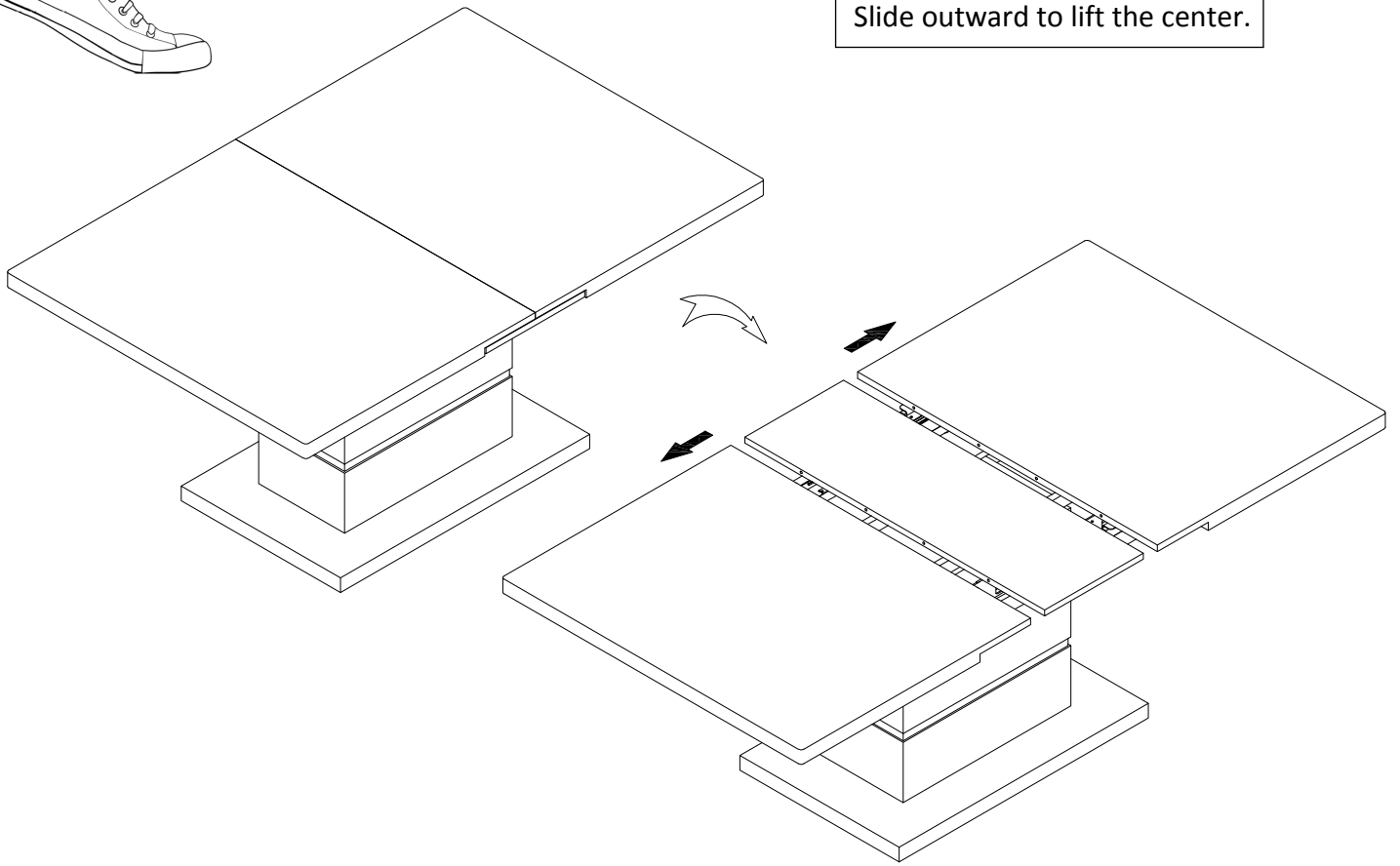


2-2

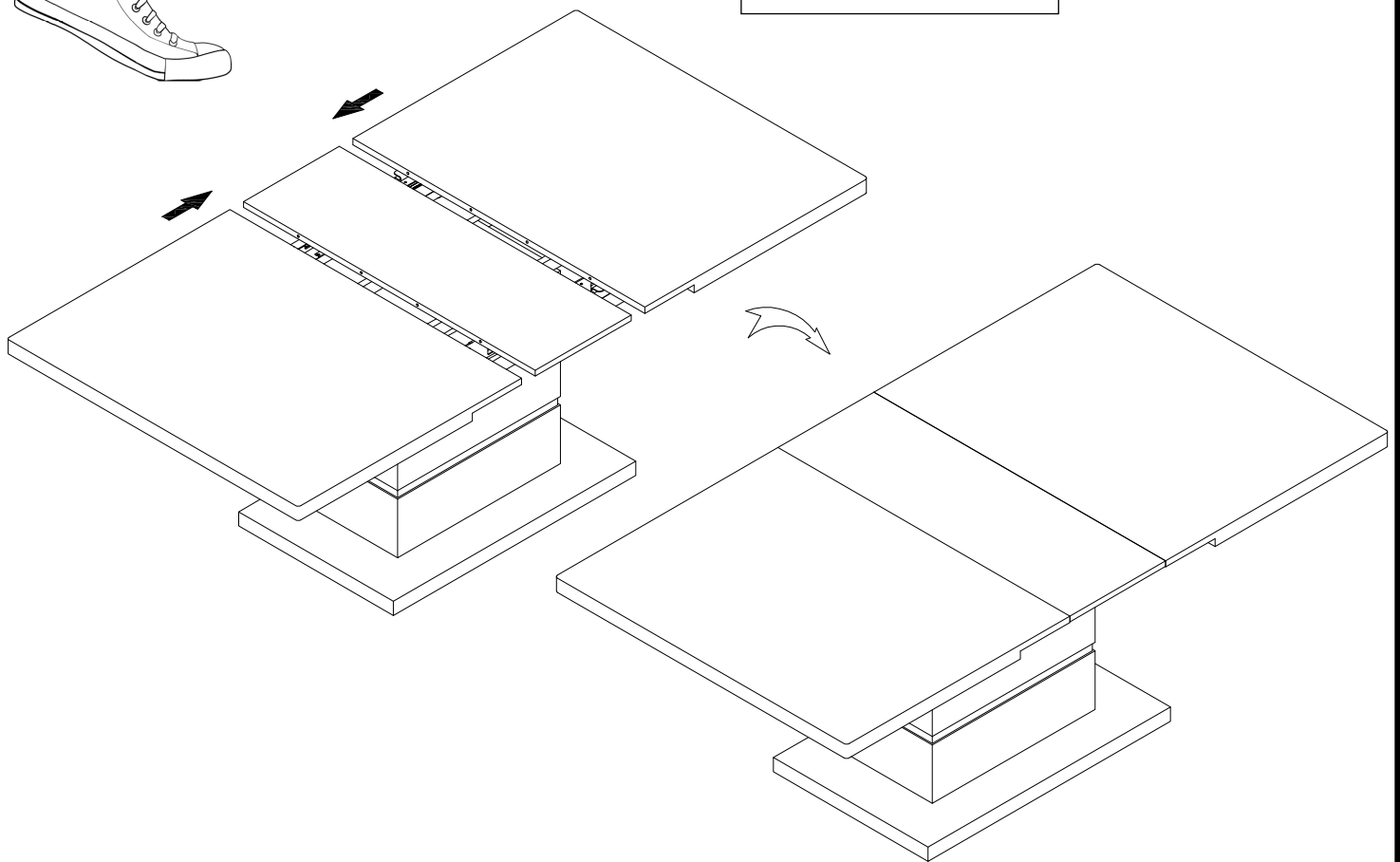
#E

#3

2. Insert the threaded ends of the adjustable feet (#E) into the holes along the bottom. Turn right to tighten.



Slide outward to lift the center.



Slide back in to secure.