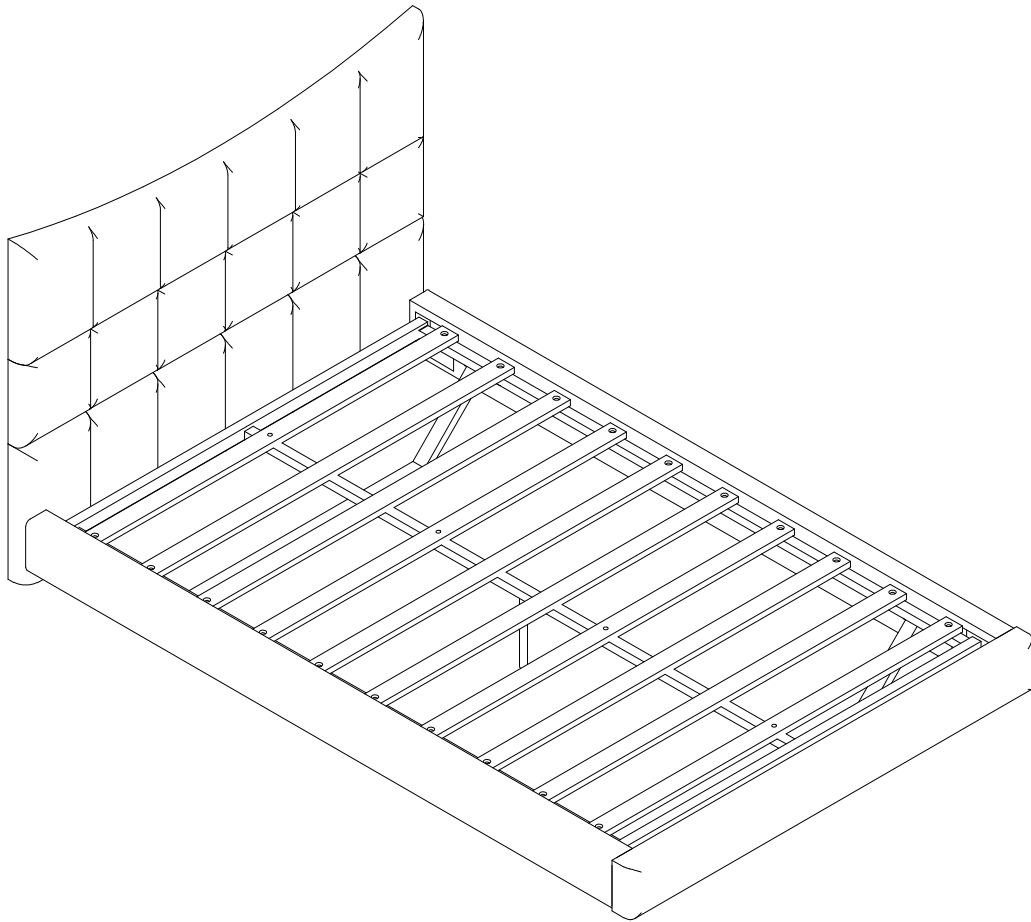
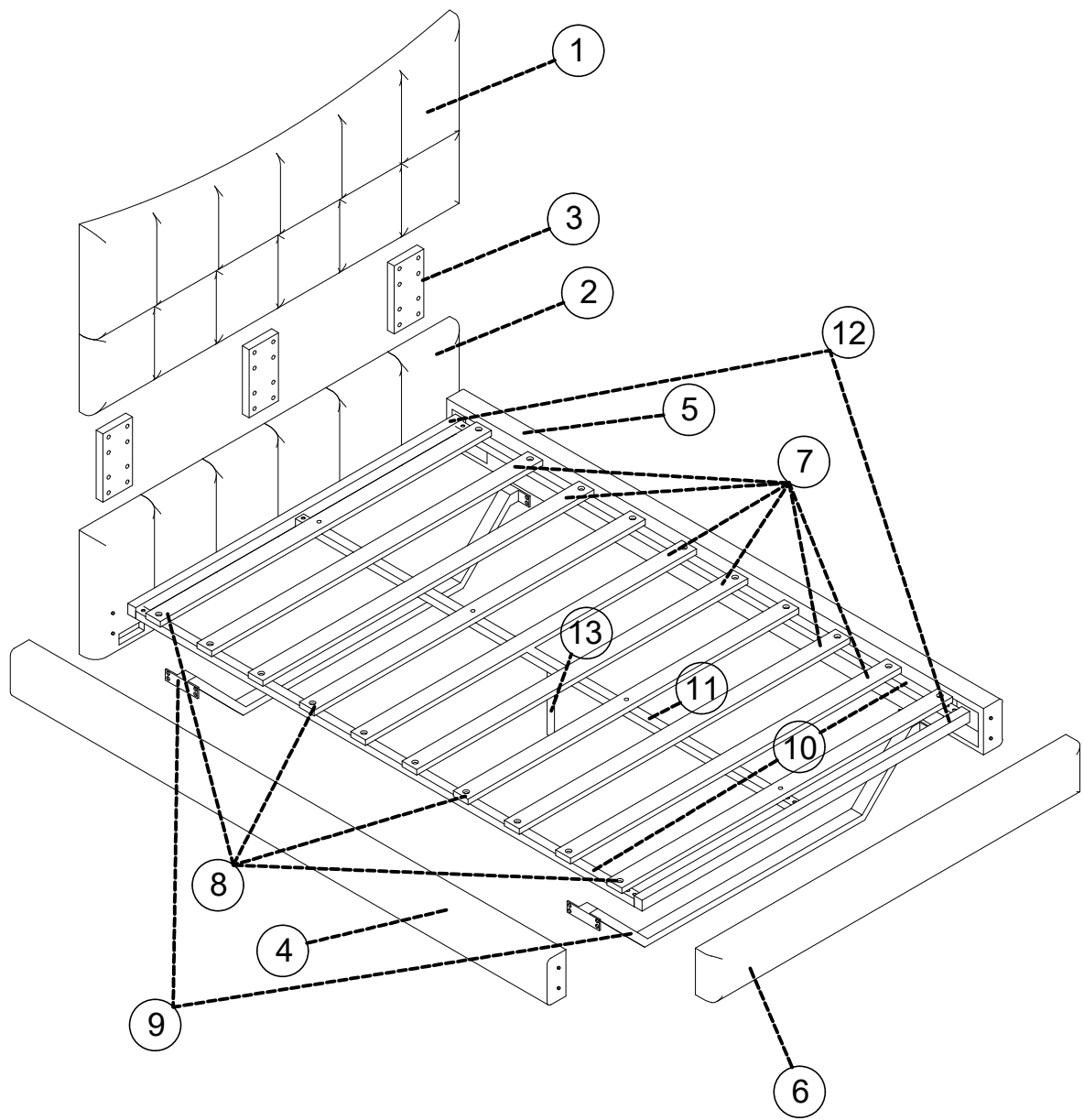


# ASSEMBLY INSTRUCTION

## SKU CODE: (WF318399/WF318400)

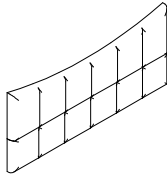
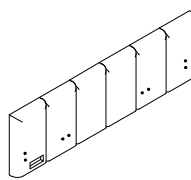
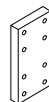
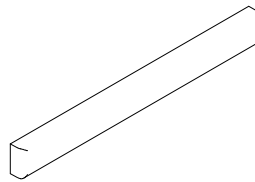
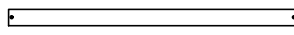
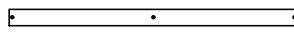
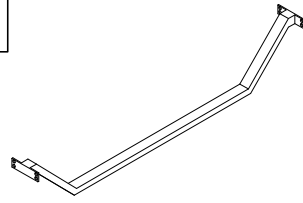
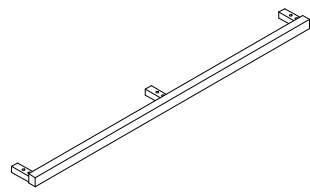

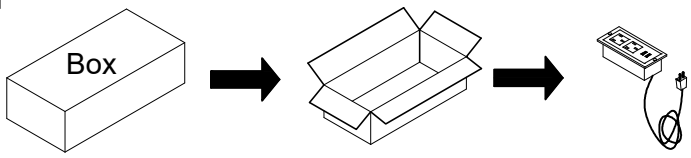

**This set included 2 boxex if do not receive full 2 boxex. Please contact our customer service team**



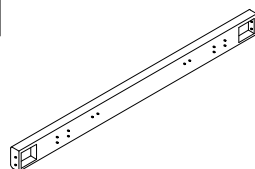
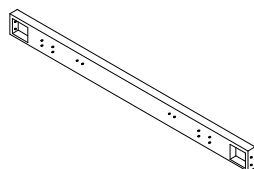
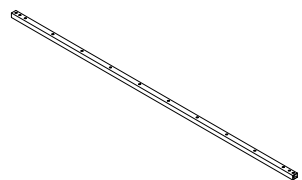
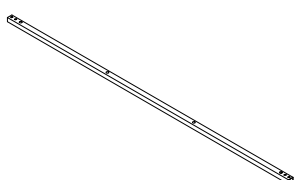


# Part List

BOX 1/2: **WF318399**

<p>1</p>  <p>Head board -1pc</p>	<p>2</p>  <p>Head board below-1pc</p>	<p>3</p>  <p>Connect Headboard-3pc</p>
<p>6</p>  <p>Footboard-1pc</p>	<p>7</p>  <p>Slates-6pcs</p>	<p>8</p>  <p>Slates-4pcs</p>
<p>9</p>  <p>Iron leg frame-2pc</p>	<p>12</p>  <p>Iron frame front and back-2pcs</p>	<p>13</p>  <p>Legs middle-1pc</p>
<p>14</p> 		<p>Hardware</p> 













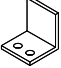

BOX 2/2: **WF318400**

<p>4</p>  <p>Side rail Left - 1pc</p>	<p>5</p>  <p>Side rail Right - 1pc</p>	<p>10</p>  <p>Iron bars on both sides-2pcs</p>
<p>11</p>  <p>Bed support Slates-1pc</p>		

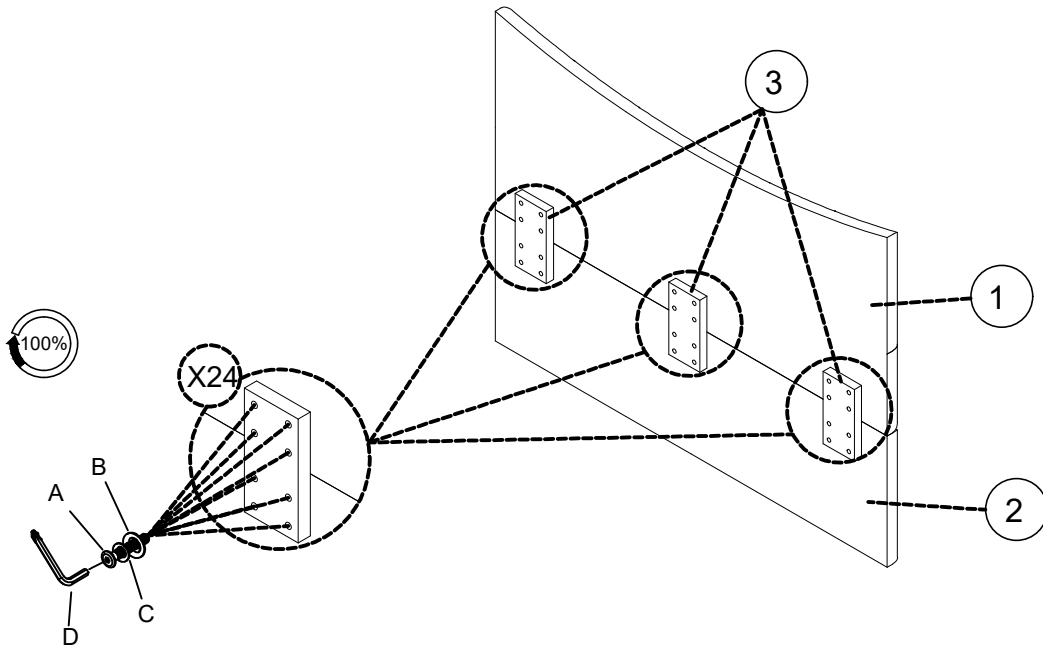
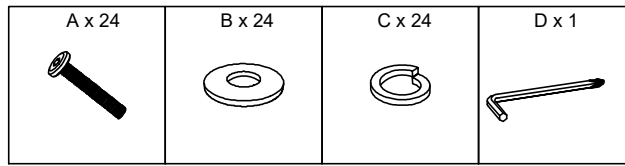
# HARDWARE

Check that you've received all hardware listed below.

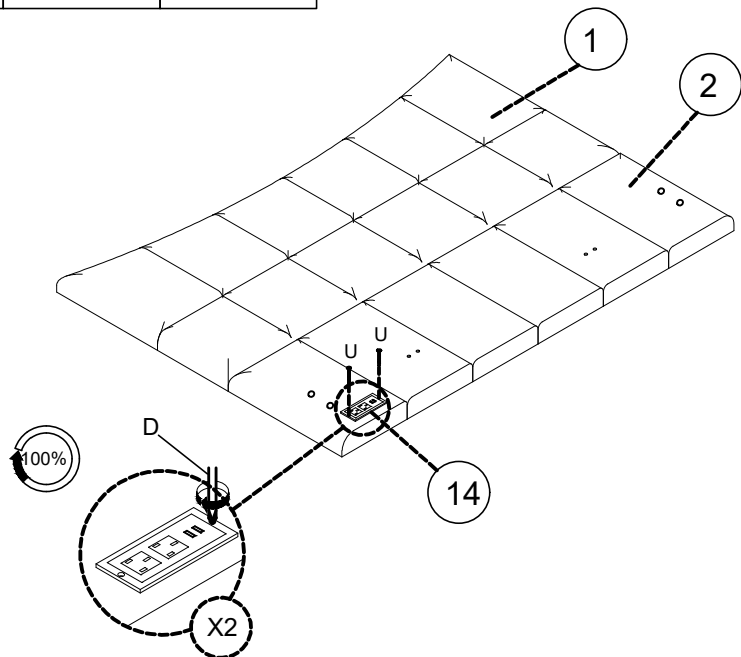
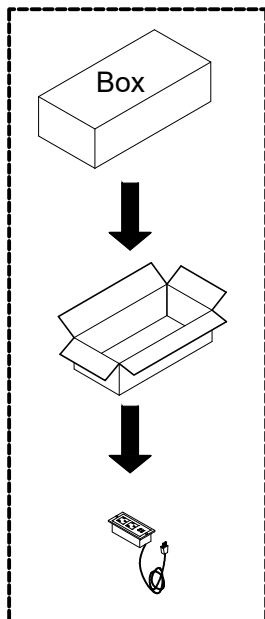
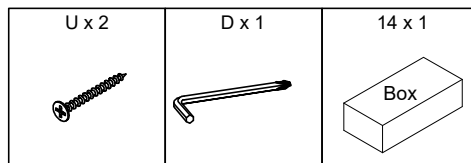
## Hardware List

No.	OUTLOOK	DESC	QTY
(A)		Bolts 5/16"x38 mm	24
(B)		Plain washer Ø5/16"x19x1.5 mm	24
(C)		Spring washer Ø5/16"x12 mm	24
(D)		Allen key 80x30x4 mm	1
(E)		Bolts 5/16"x80 mm	8
(F)		5/16"	8
(G)		Washer Ø5/16"	8
(H)		Wrench 5/16"	1
(J)		Bolts 1/4"x30 mm	24
(K)		Bolts 1/4"x15 mm	44
(L)		Plain washer Ø1/4"x19x1.5 mm	68
(N)		Spring washer Ø1/4"x10 mm	68
(M)		Metal bas	8
(U)		Screws Ø4x20 mm	2





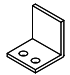
# STEP 1

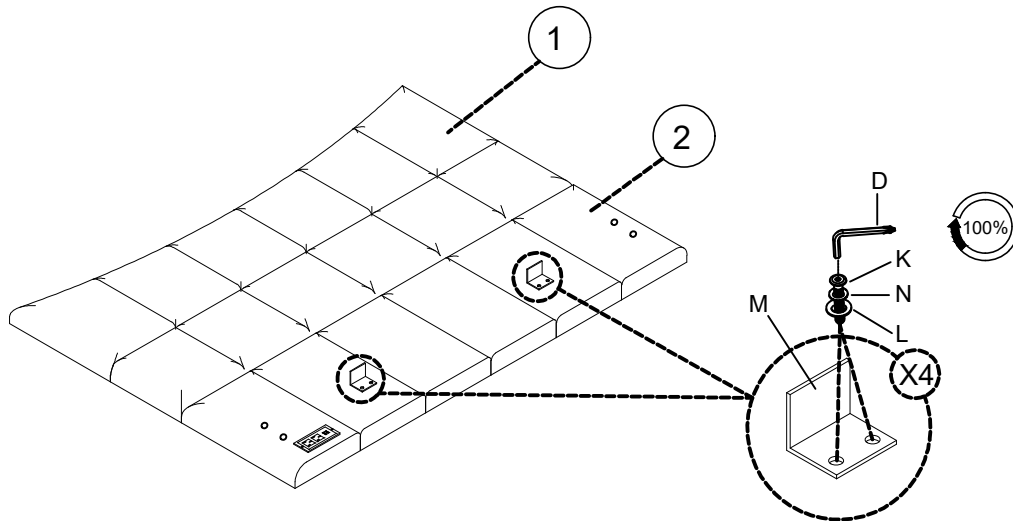


# STEP 2





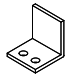


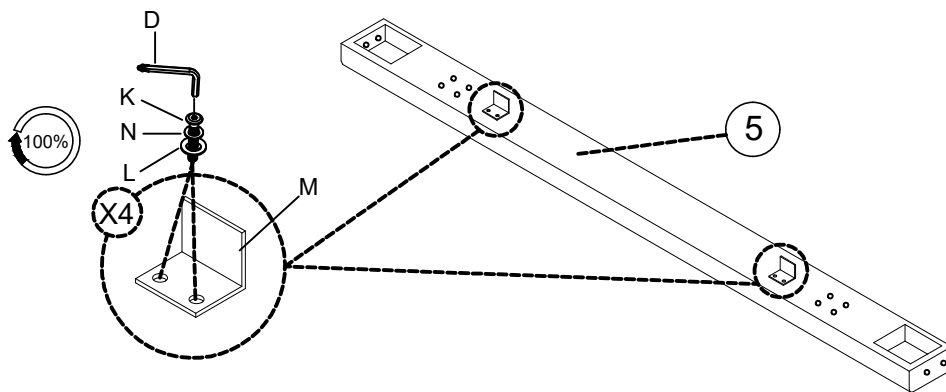
# STEP 3

K x 4	L x 4	N x 4	D x 1	M x 2
				





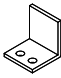


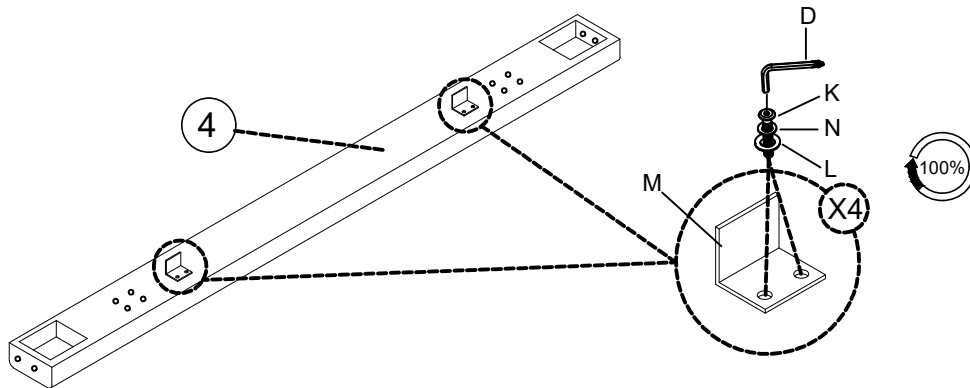
# STEP 4

K x 4	L x 4	N x 4	D x 1	M x 2
				





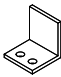


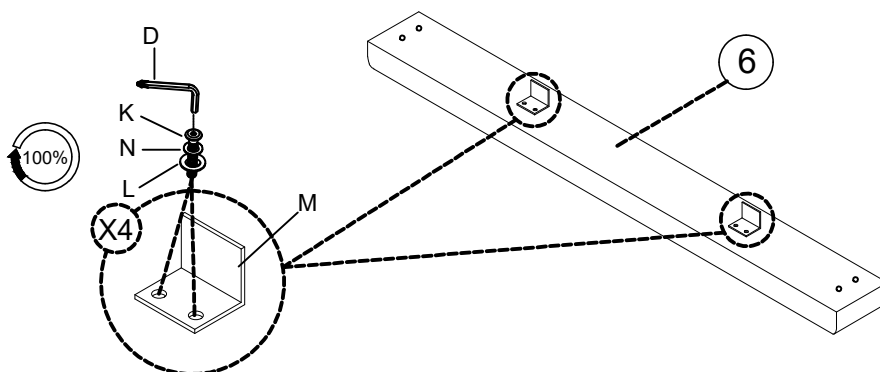
# STEP 5

K x 4	L x 4	N x 4	D x 1	M x 2
				

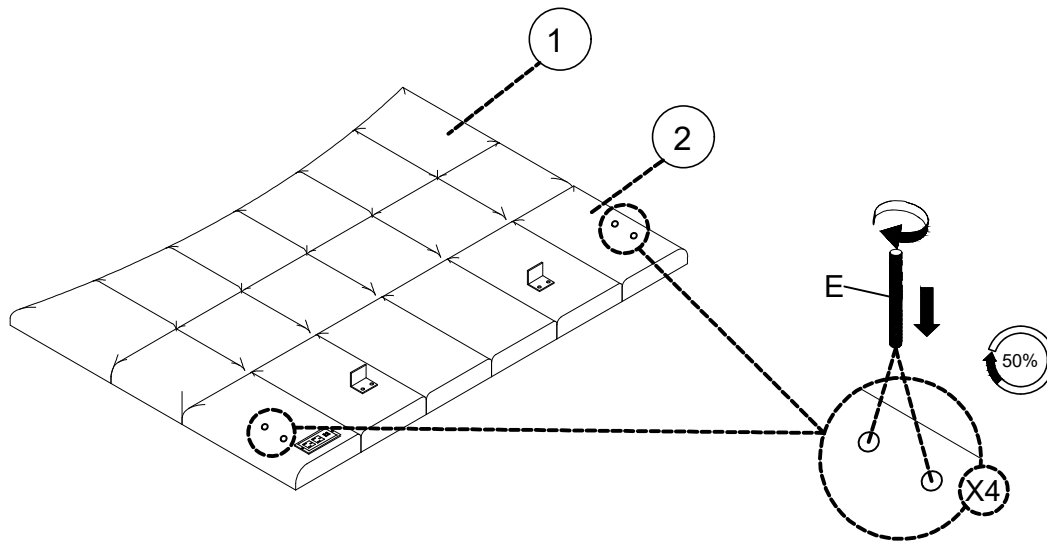
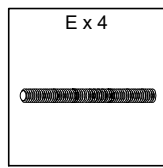


# STEP 6

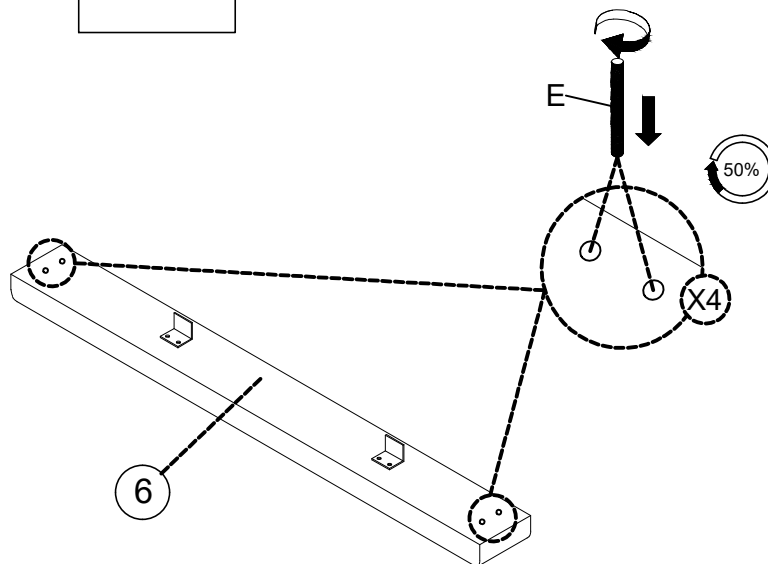
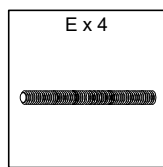
K x 4	L x 4	N x 4	D x 1	M x 2
				






# STEP 7

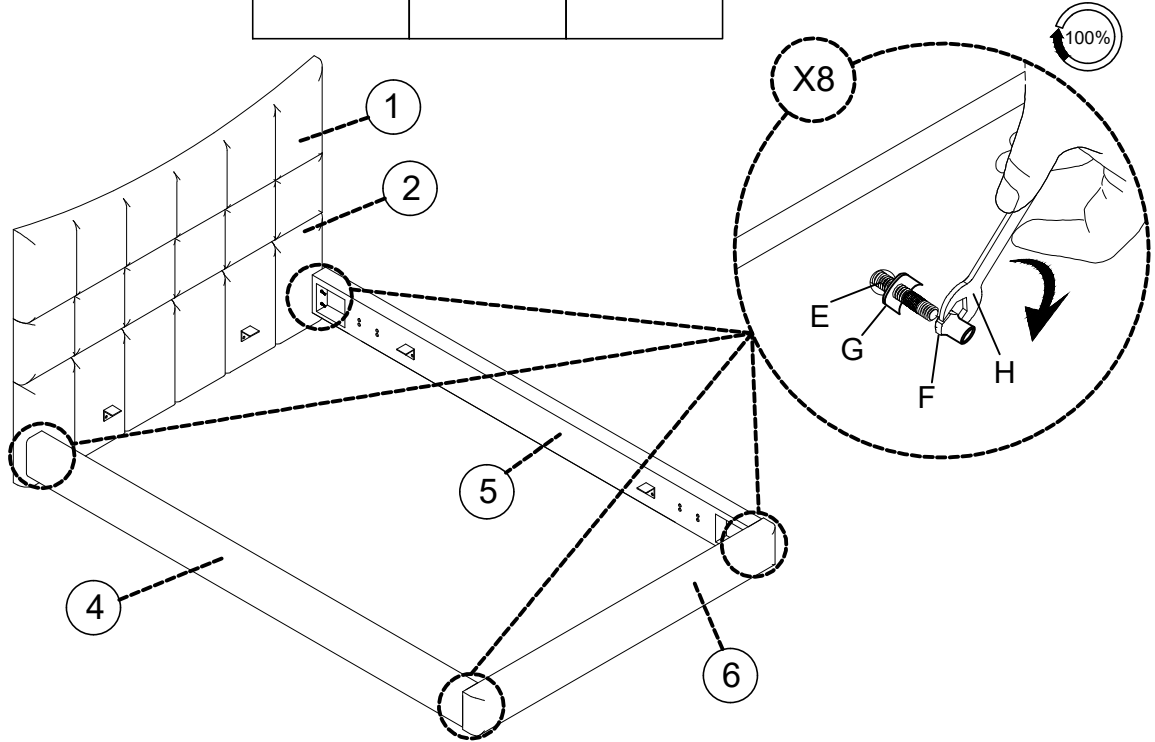


# STEP 8







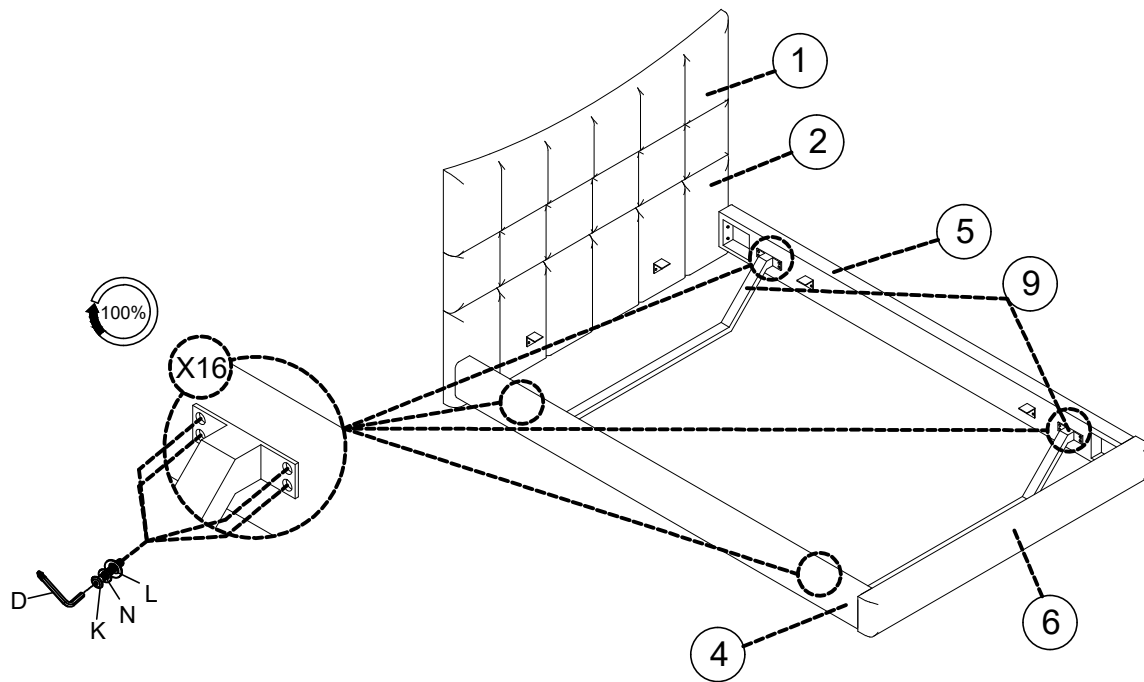
# STEP 9

F x 8	G x 8	H x 1
		







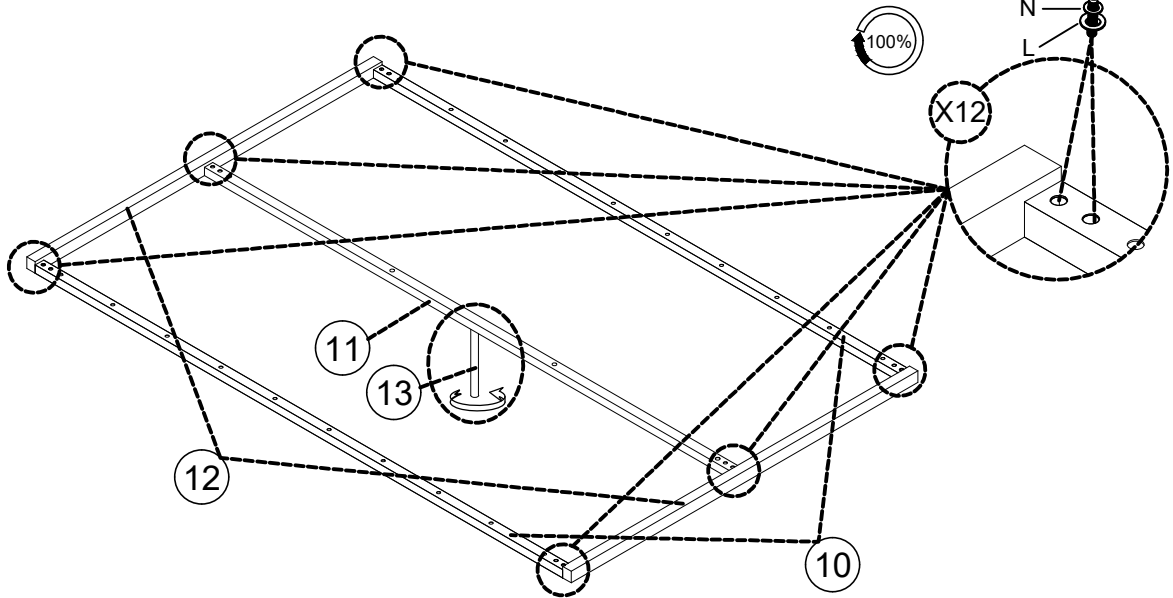
# STEP 10

K x 16	L x 16	N x 16	D x 1
			







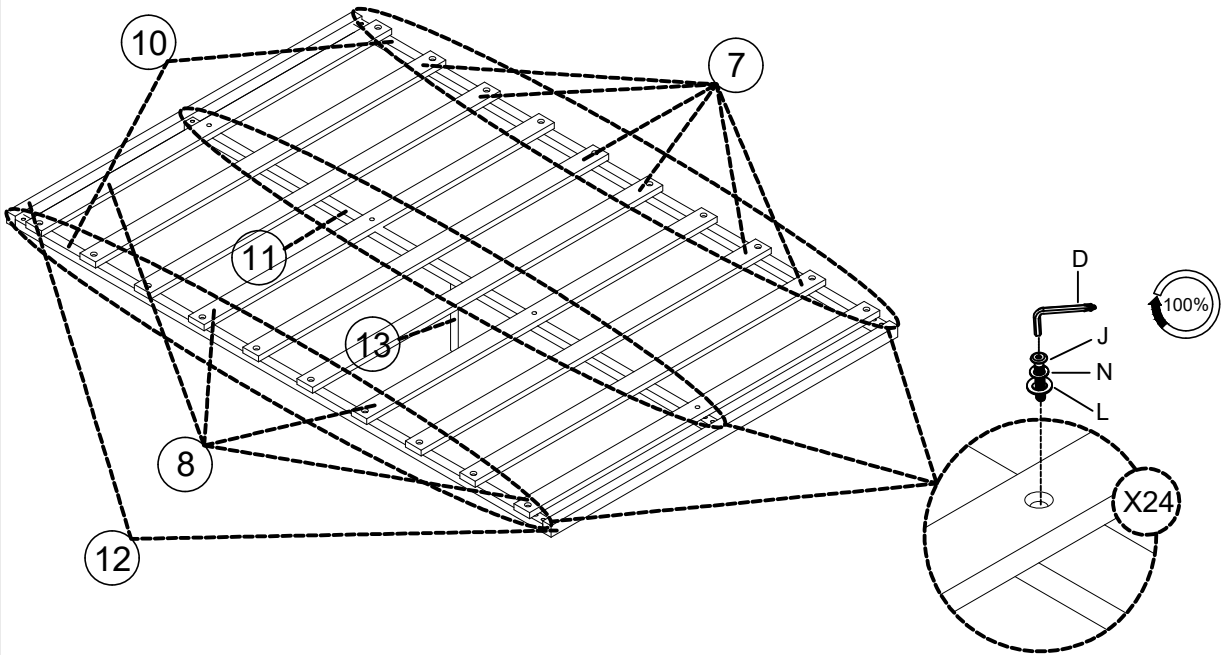
# STEP 11

K x 12	L x 12	N x 12	D x 1
			



# STEP 12

J x 24	L x 24	N x 24	D x 1
			



# COMPLETE

