



SIDE TABLE

SAFETY & WARNINGS

Warning

- Important - Please read these instructions fully before starting assembly.
- Do not sit or stand upon the tabletop.
- Make sure you have enough space to layout the parts before starting.
- Assemble the item as close to its final position (in the same room) as possible.
- We do not recommend the use of power drill/drivers for inserting screws, as this could damage the unit. Only use hand screwdrivers.

Safety Information

- Check you have all the components and tools listed on pages 3.
- Remove all fittings from the plastic bags and separate them into their groups.
- Keep children and animals away from the work area, small parts could choke if swallowed.
- Parts of the assembly will be easier with 2 people.
- Place the product on flat and steady surface during use.
- During assembly do not stand or put weight on the product, this could cause damage.
- Assemble on a soft level surface to avoid damaging the unit or your floor.
- Only upon completion of the assembly should all fixing points be fully tightened.
- Regularly check and ensure that all bolts and fittings are tightened properly.

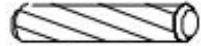
COMPONENTS



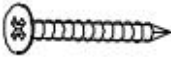
A: (x10)



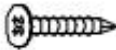
B: (x14)



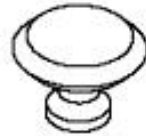
C: (x6)



D: (x8)



E: (x5)



F: (x1)



G: (x1)

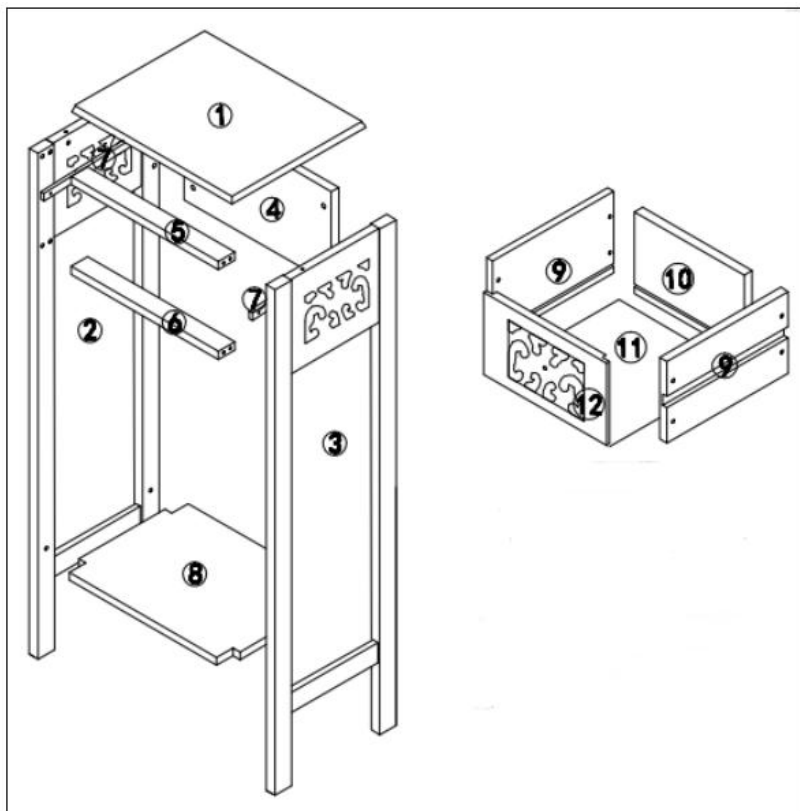


H: (x1)



I: (x4)

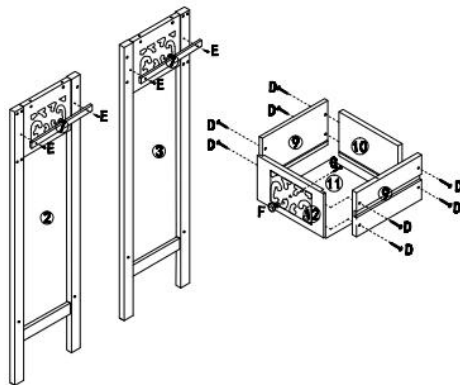
PART LIST



INSTALLATION

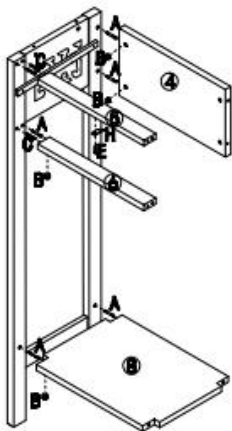
Step 1

Attach two ⑦ to ② and ③ respectively with E as shown. Assemble two ⑨, ⑩ and ⑫ on ⑪ with D. insert F into the middle of ⑫ with G.



Step 2

Attach ④ and ⑧ to ② with A and B. Insert ⑤ and ⑥ to ② with B and C.



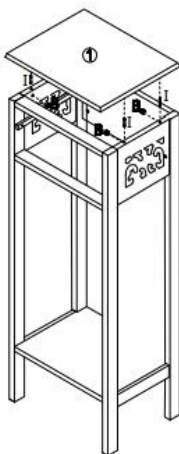
Step 3

Attach ③ to the basic frame of step 2 with A, B and C.



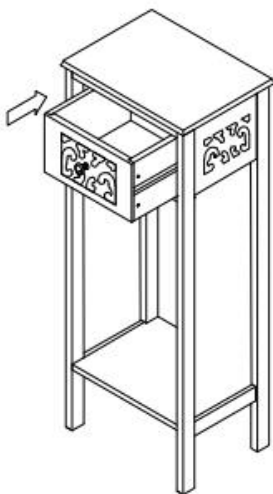
Step 4

Attach ① to the basic frame of step 3 with B and I.



Step 5

Put the drawer in the side table as shown in the picture, and then the assembly is complete.



CLEANING & CARE

- Wipe regularly with clean water and a damp, clean, soft white cloth.
- General cleaning can be done as needed with a mild detergent and water solution.
- Always rinse with clean water and dry. For heavy soiling, dampen a soft white cloth or soft bristle brush. Use care as scrubbing can damage the surface.
- DO NOT use any cleaners with corrosive ingredients (lye, acids or ammonia).
- From time to time check that there are no loose screws on this unit.
- This product should not be discarded with household waste. Take to your local authority waste disposal centre.

A Home is for Living in

For comfort and style update your living space.

Browse contemporary and classic designs and find the perfect home to your look and the perfect spot to lounge.

Put your feet up and sink into our stylish home decor.

We are mainly engaged in home, outdoor, home appliances, office, bathroom, provided high quality and affordable products for you. We value every one of our customers and our professional service team is always available to help you.