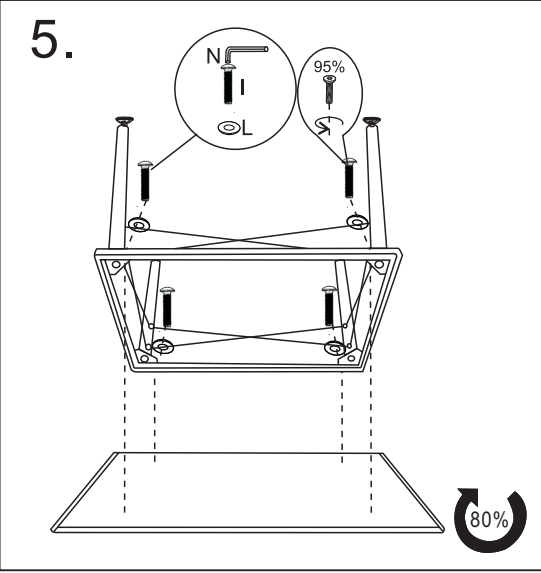
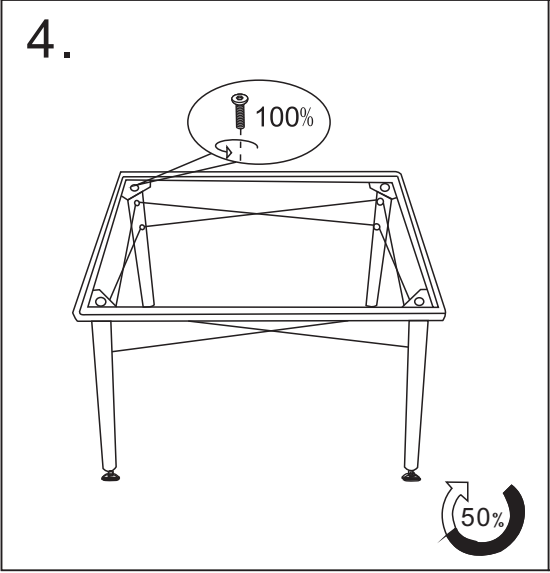
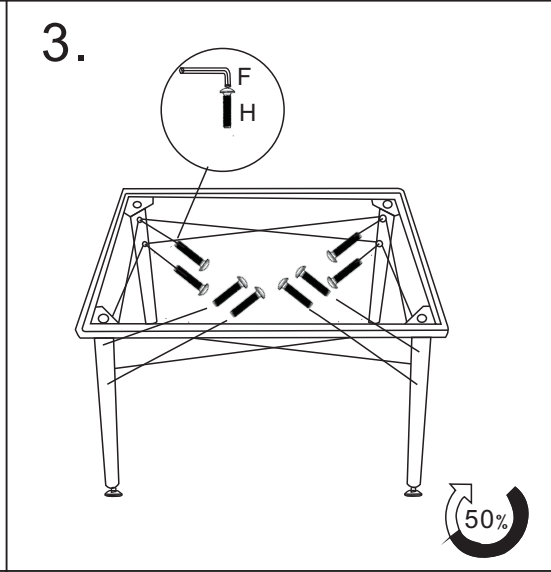
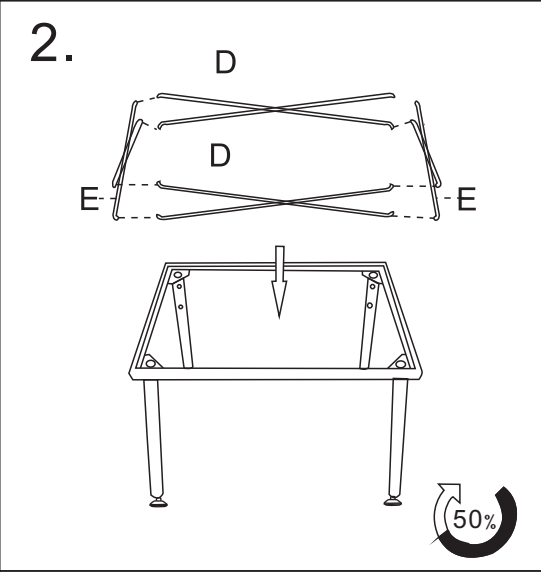
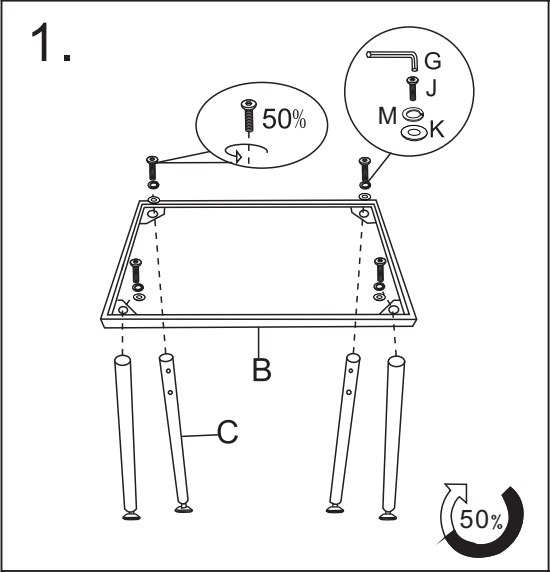


**Attention: Please do not tighten the screws until all the screws are well in position !
 Be sure to use the steps in accordance with the instructions,
 do not use excessive force to prevent the desktop board from being twisted and burst.**



Ax1 	Hx8 6*25
Bx1 	Ix4 8*16
Cx4 	Jx4 10*35
Dx2 	Kx4 10*20*1.5
Ex2 	Lx4 8*16*1.5
Fx1 M5 	Mx4 10*20*1.5
Gx1 M10 	Nx1 M6

SPARE			
H		6*25	1
I		8*16	1
J		10*35	1
K		10*20*1.5	1
L		8*16*1.5	1
M		10*20*1.5	1