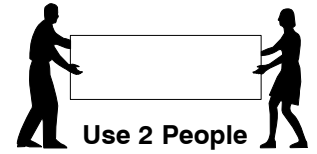
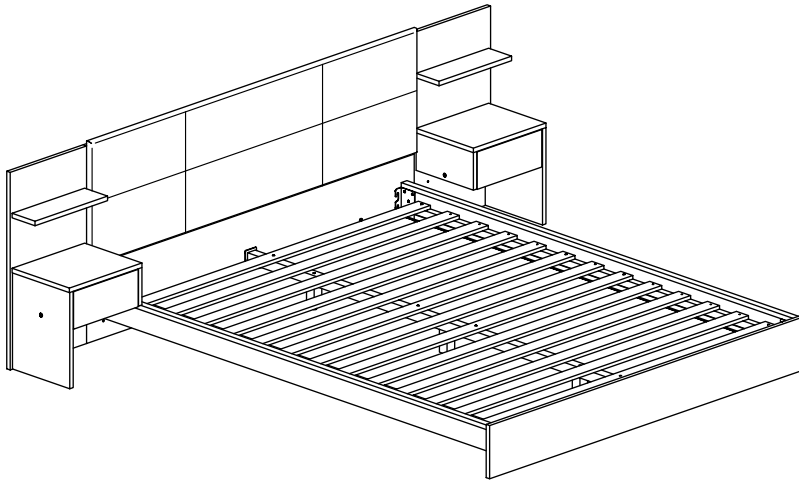


Queen Bed

Assembly Instructions

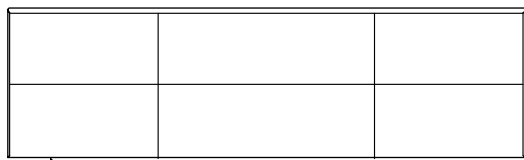
1 Assembled View



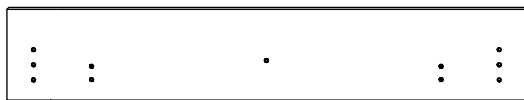
Note: Do not assemble using power tools. This can cause the bolts to be overtightened

2 Parts List

Parts in Box A:



A Headboard Panel (Upper) x 1



B Headboard Panel (Lower) x 1



C Footboard Panel x 1



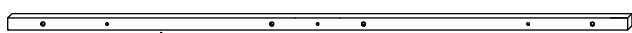
D

Support Bar
x 2

Parts in Box B:



E Side Rail x 2

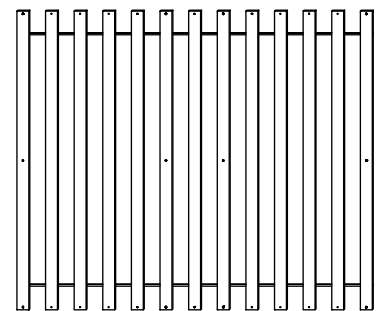


F Center Rail x 1



G

Support Leg
x 3



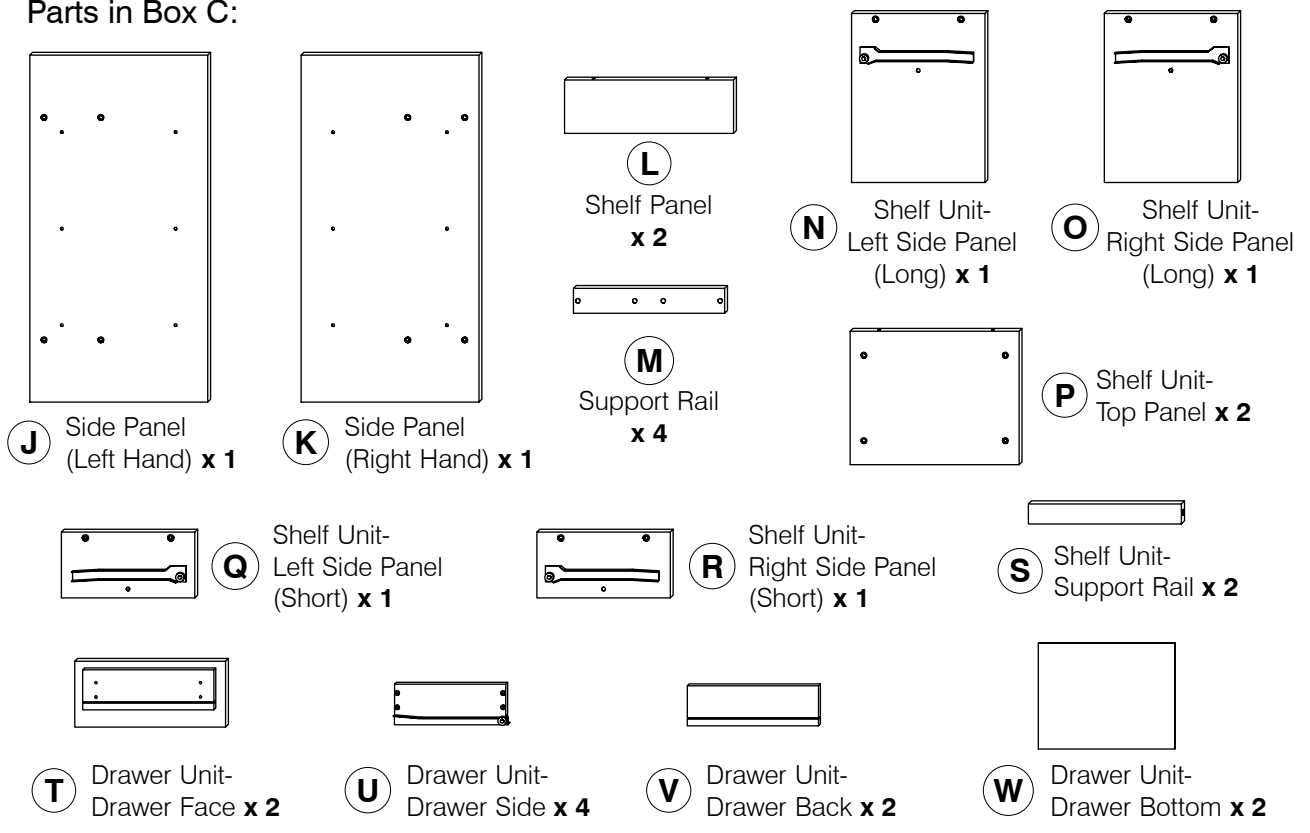
H Set of Bed Slats x 1

Queen Bed

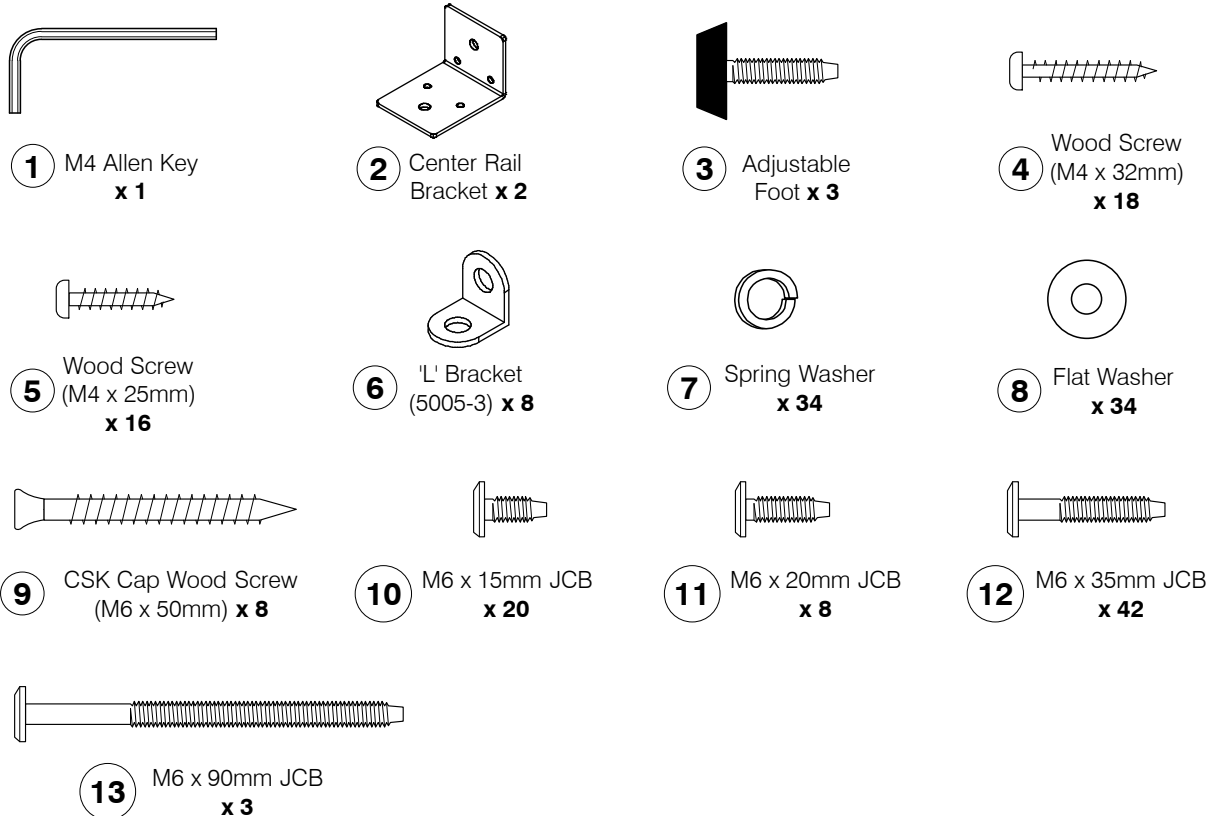
Assembly Instructions

2 Parts List

Parts in Box C:



3 Hardware List

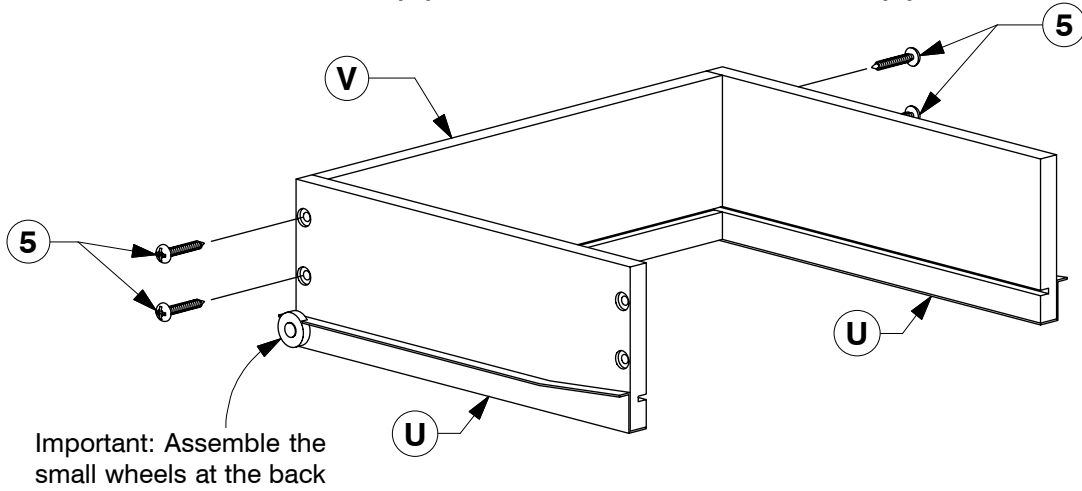


Queen Bed

Assembly Instructions

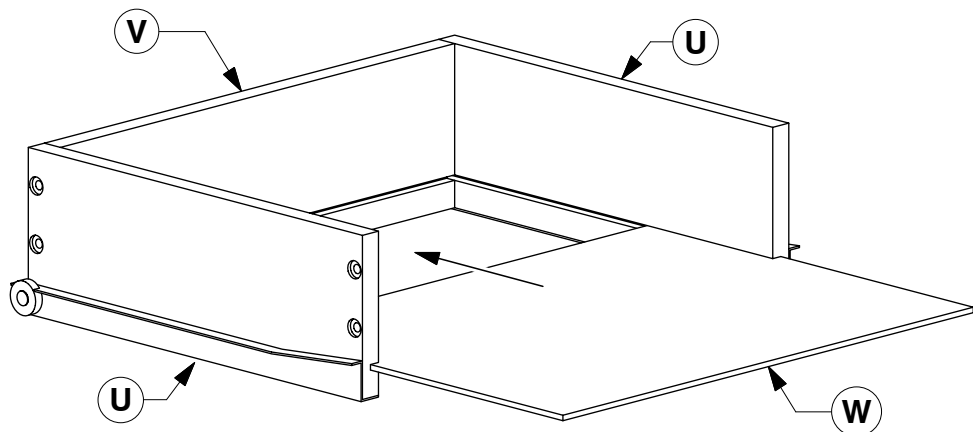
- 4** Assemble the Drawer Sides (U) to the Drawer Back (V). Make sure the small wheels on the Drawer Sides (U) are next to the Drawer Back (V).

x2



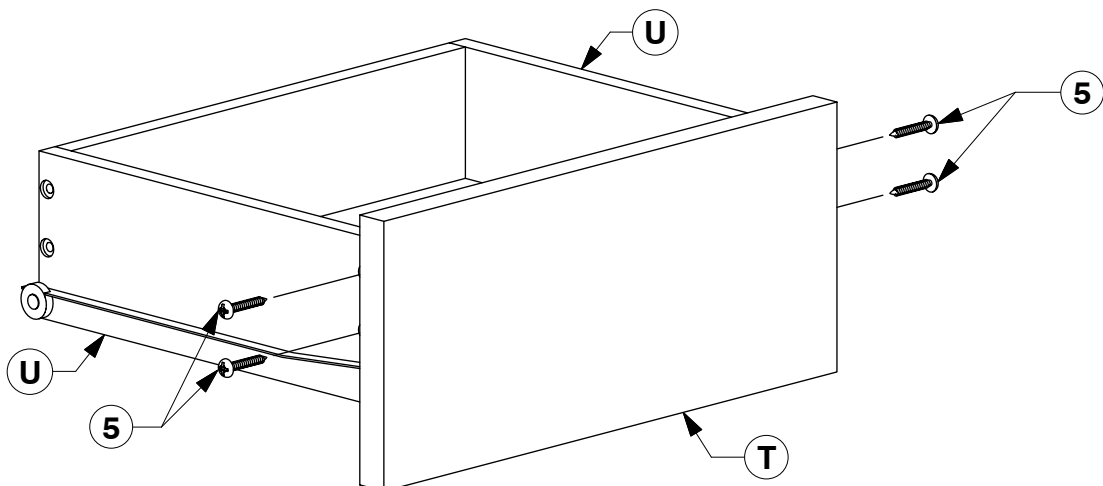
- 5** Slide the Drawer Bottom (W) into the groove on the Drawer Sides (U).

x2



- 6** Assemble the Drawer Face (T) to the Drawer Sides (U).

x2

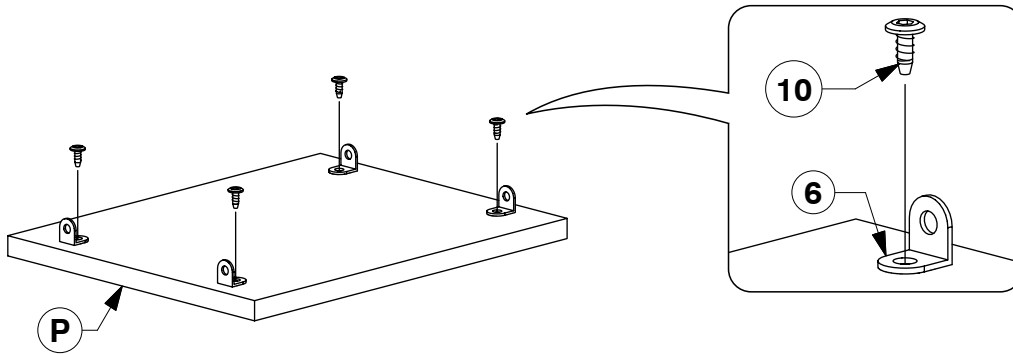


Queen Bed

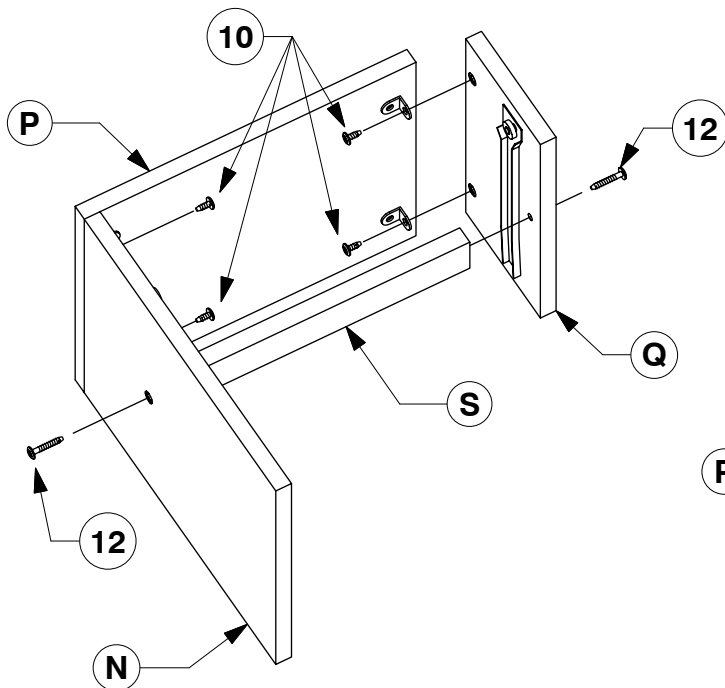
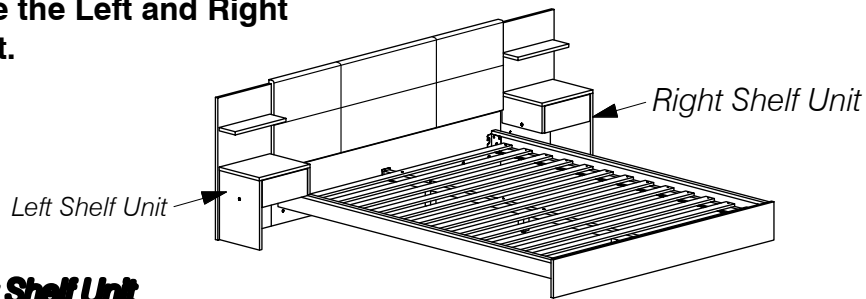
Assembly Instructions

- 7** Fit 'L' Bracket to the Shelf Unit- Top Panel (P).

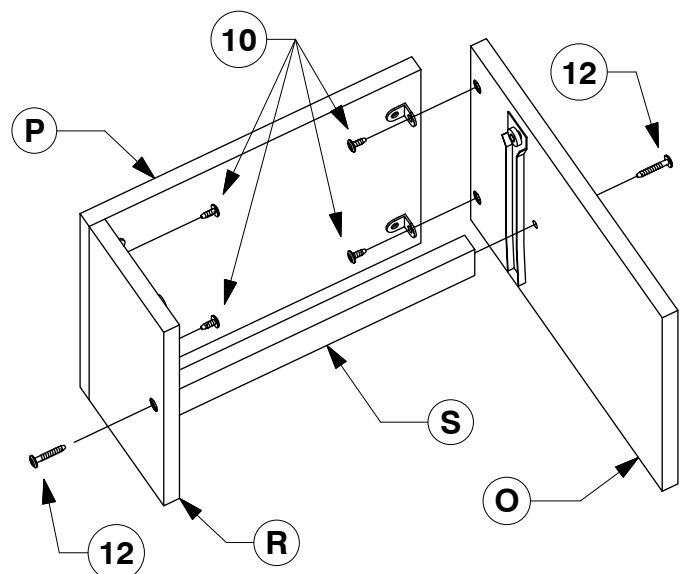
x2



- 8** Assemble the Left and Right Shelf Unit.



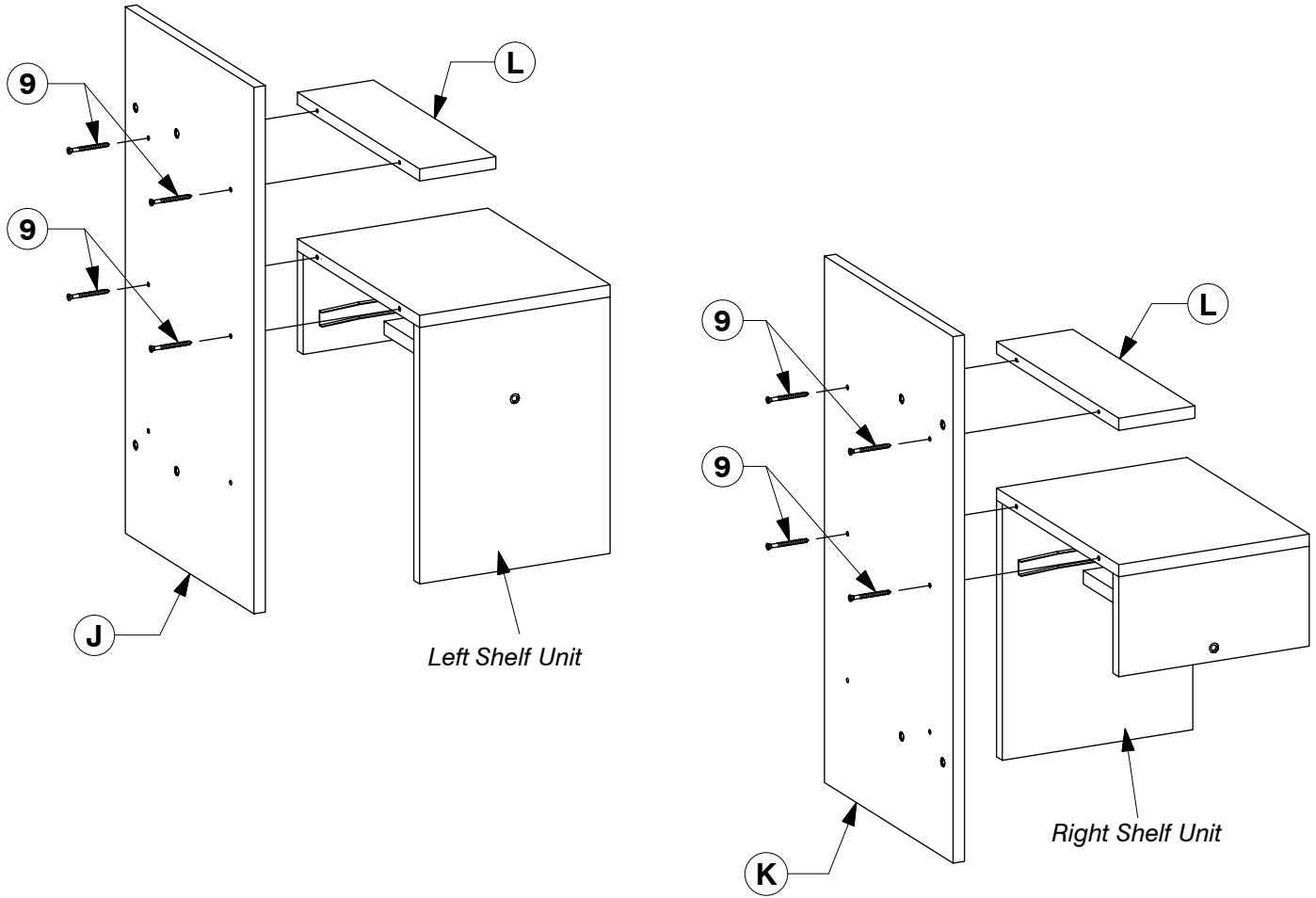
Right Shelf Unit



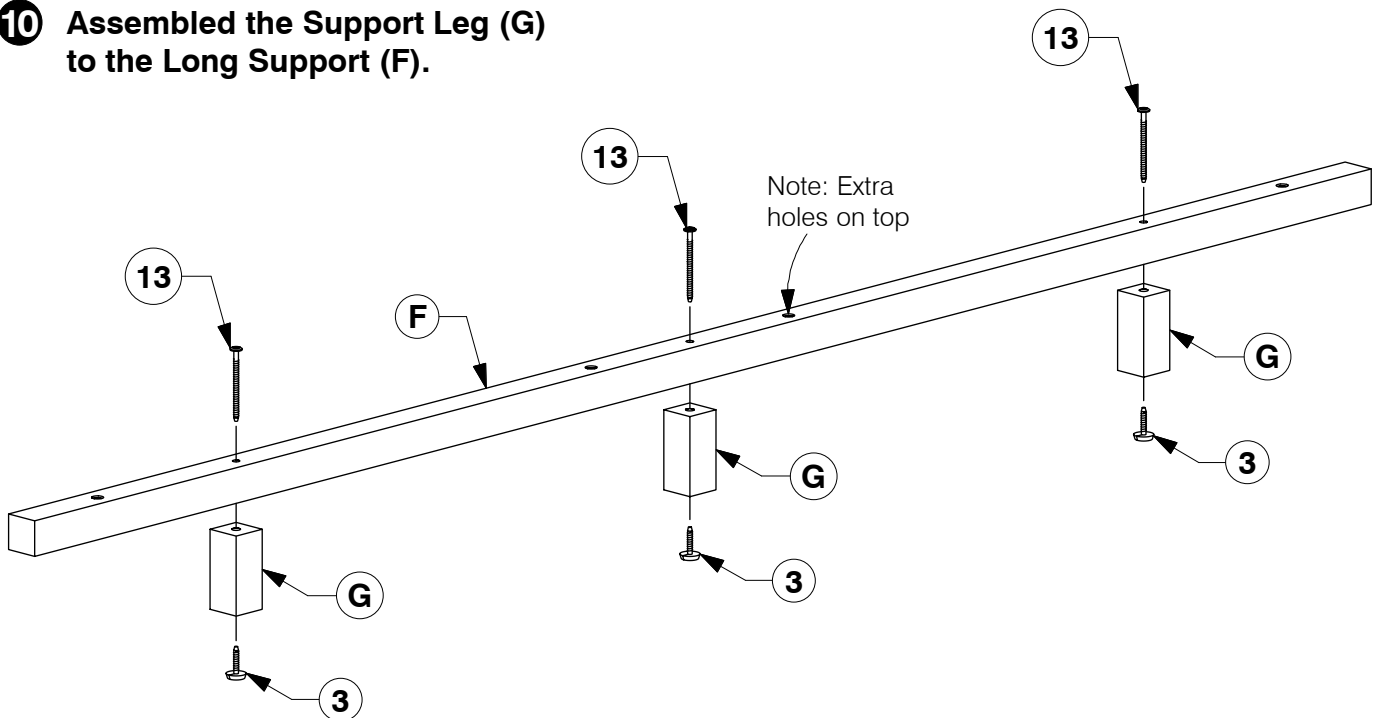
Queen Bed

Assembly Instructions

9 Assemble the Shelf Panel (L) & Shelf Unit to the Side Panel (J & K).



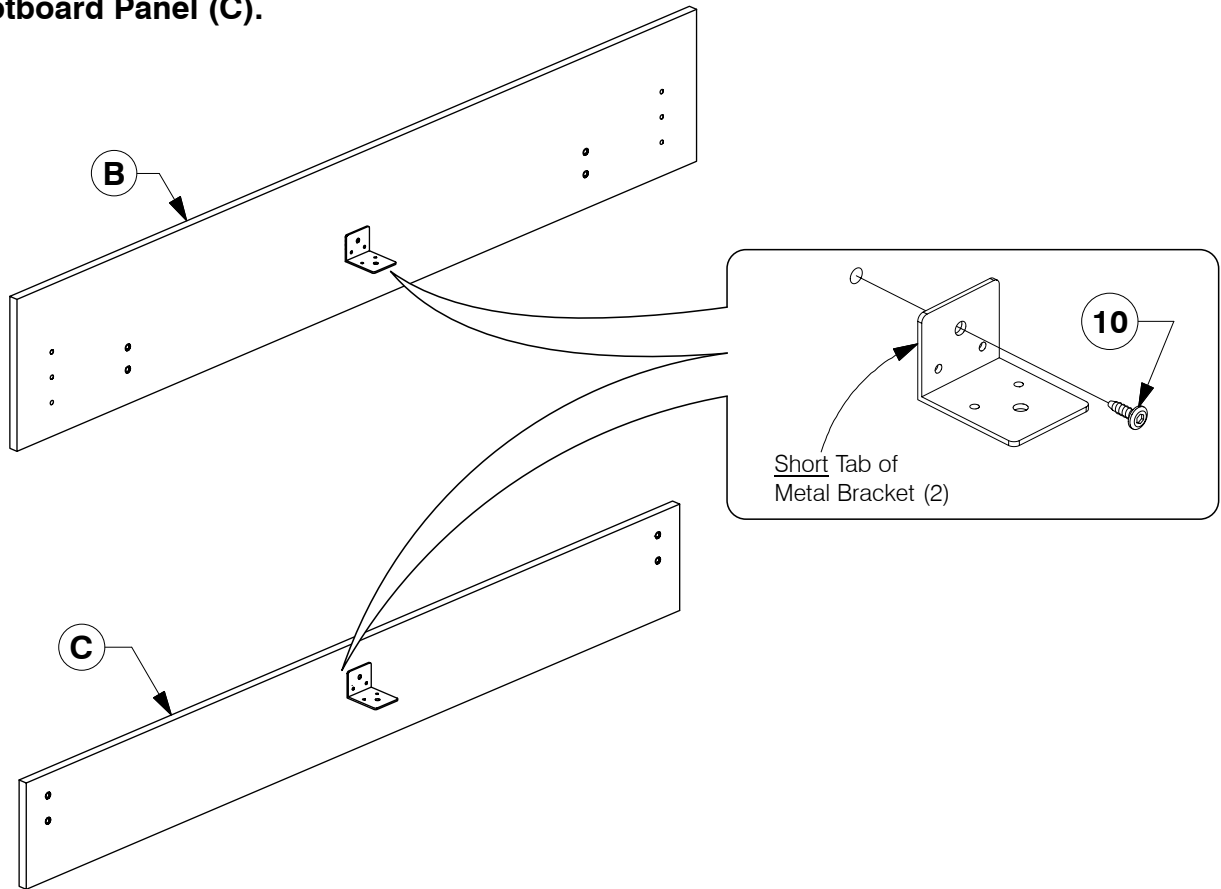
10 Assembled the Support Leg (G) to the Long Support (F).



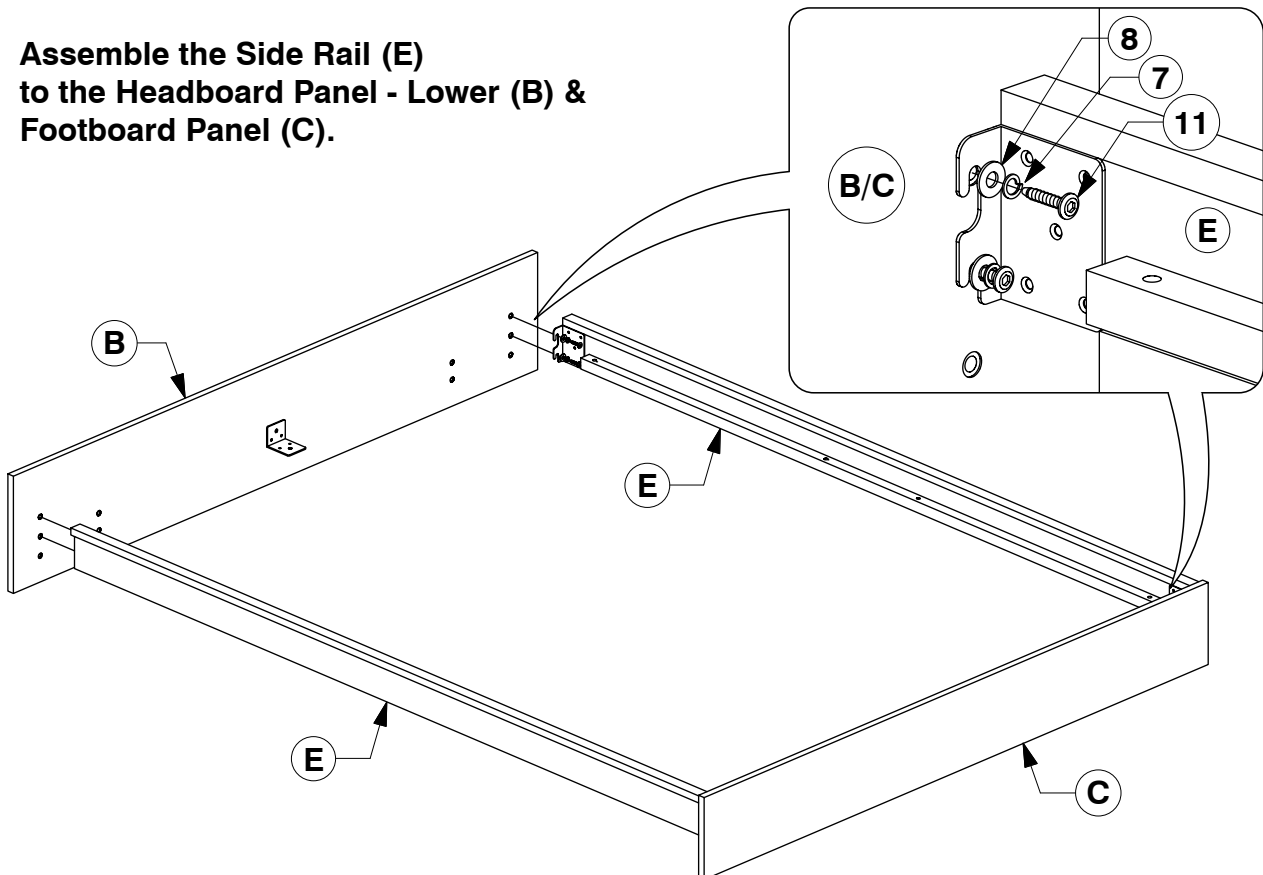
Queen Bed

Assembly Instructions

- 11** Fit the Center Rail Bracket to the Headboard Panel (B) & Footboard Panel (C).



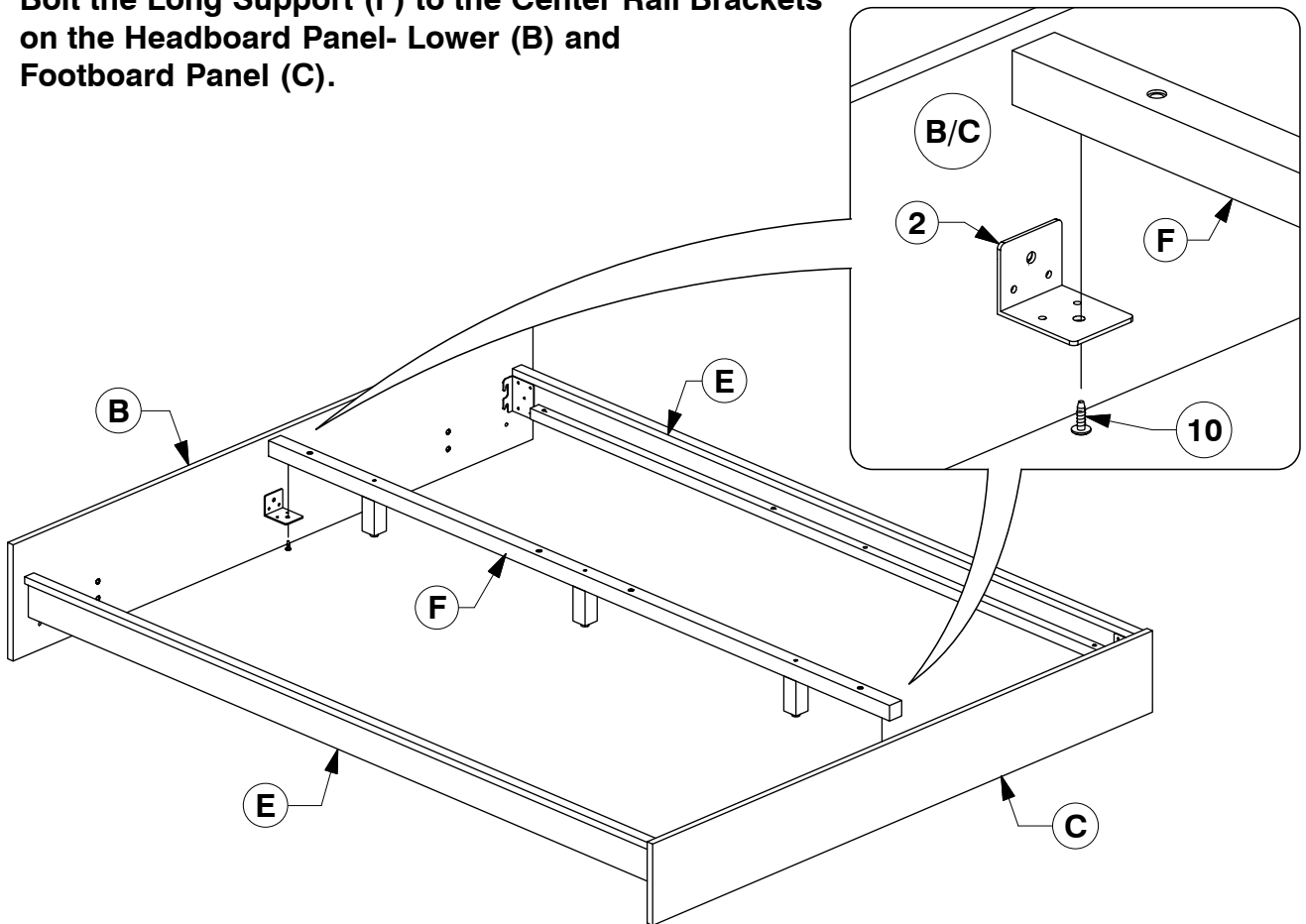
- 12** Assemble the Side Rail (E) to the Headboard Panel - Lower (B) & Footboard Panel (C).



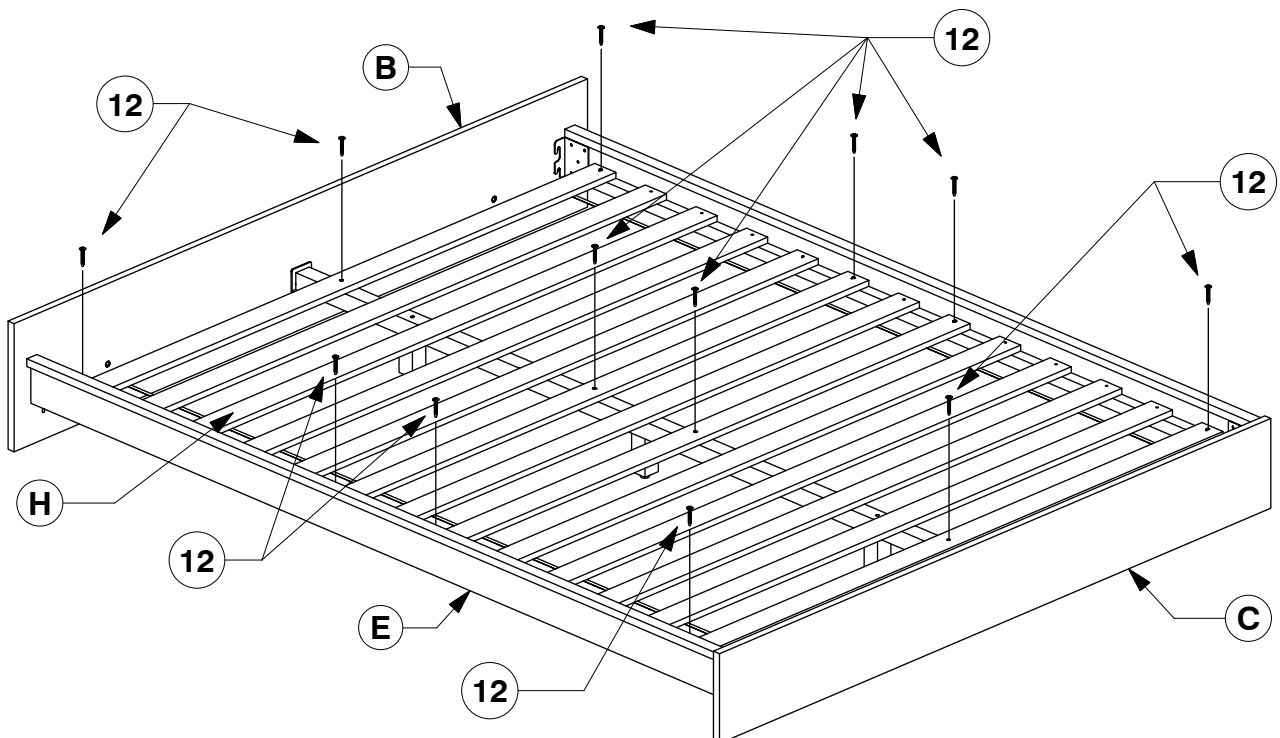
Queen Bed

Assembly Instructions

- 13** Bolt the Long Support (F) to the Center Rail Brackets on the Headboard Panel- Lower (B) and Footboard Panel (C).



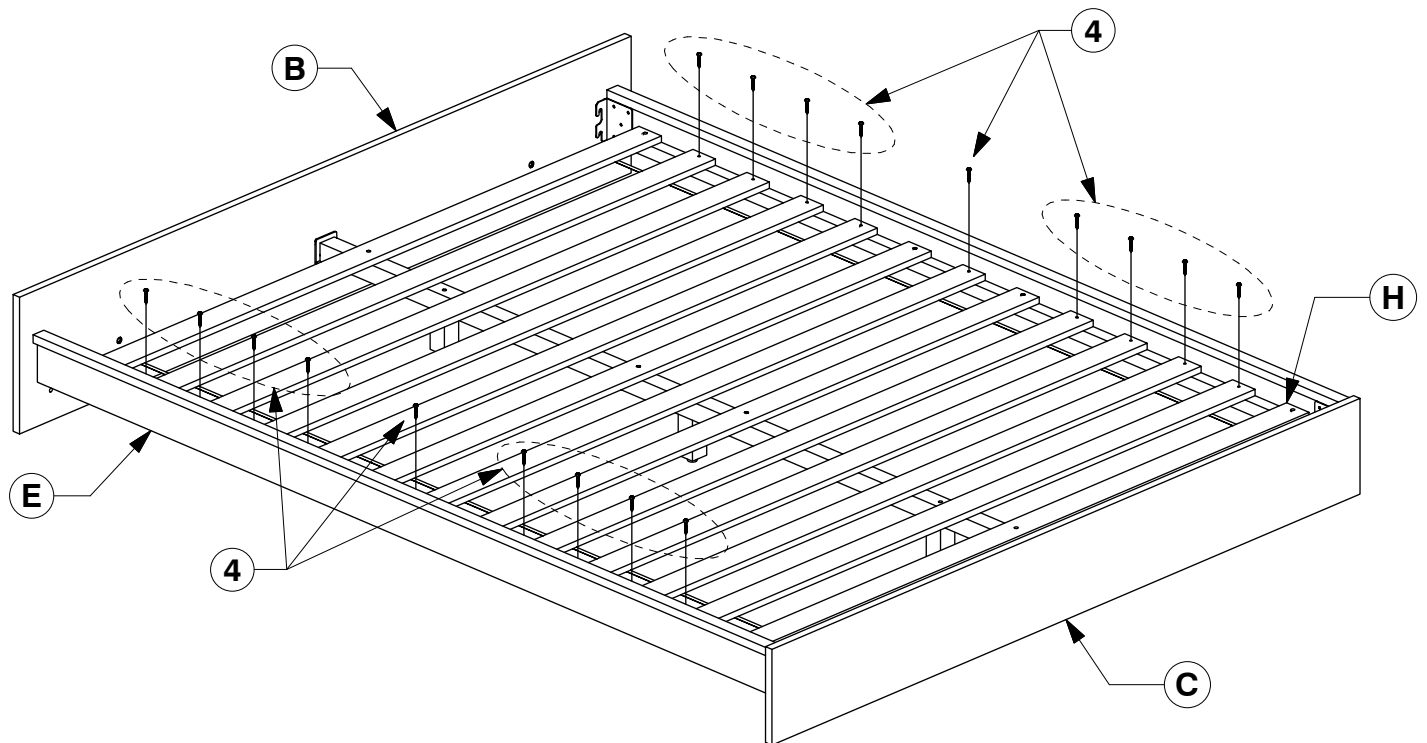
- 14** Bolt the Bed Slats (H) to the Side Rail (E).



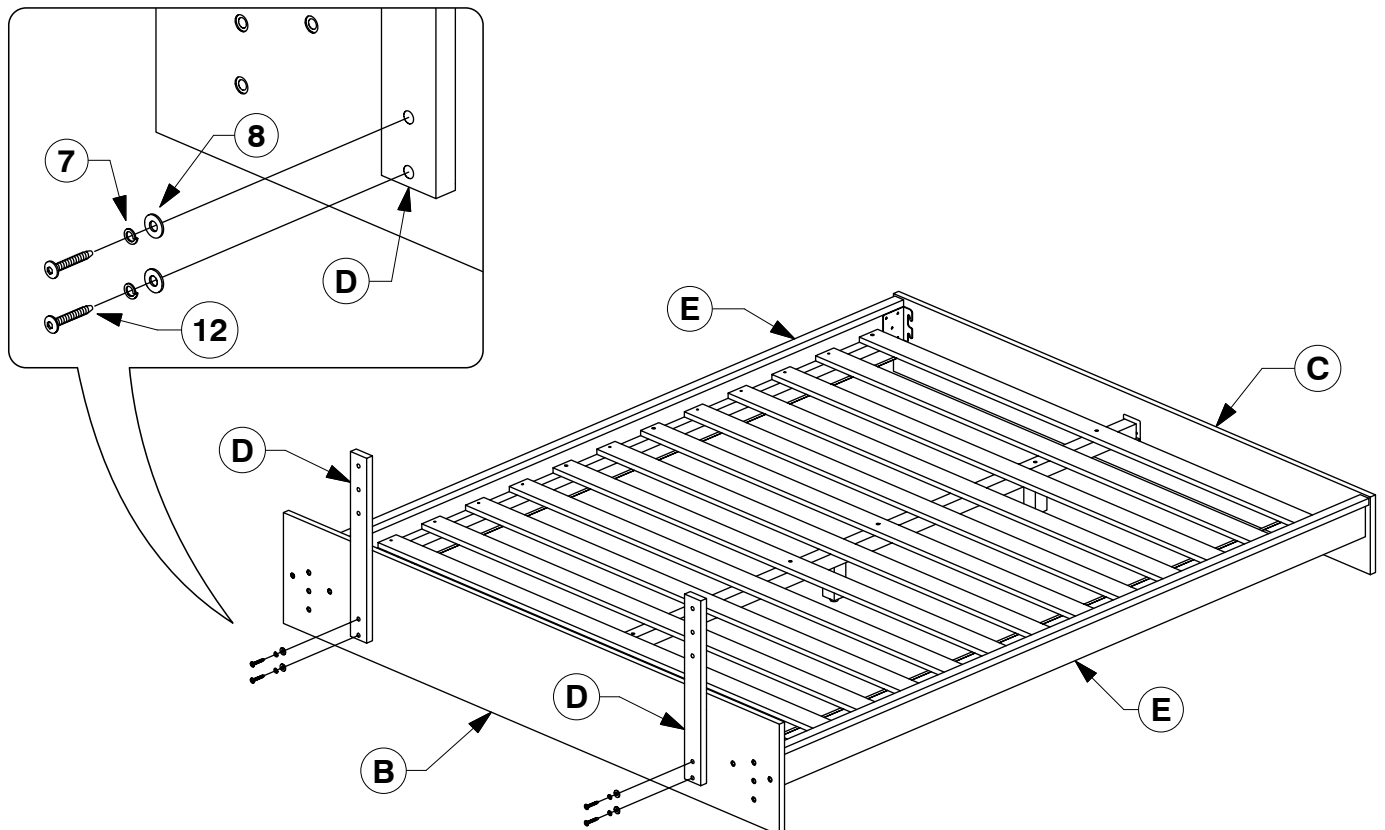
Queen Bed

Assembly Instructions

- 15** Screw the Bed Slats (H) to the Side Rail (E).



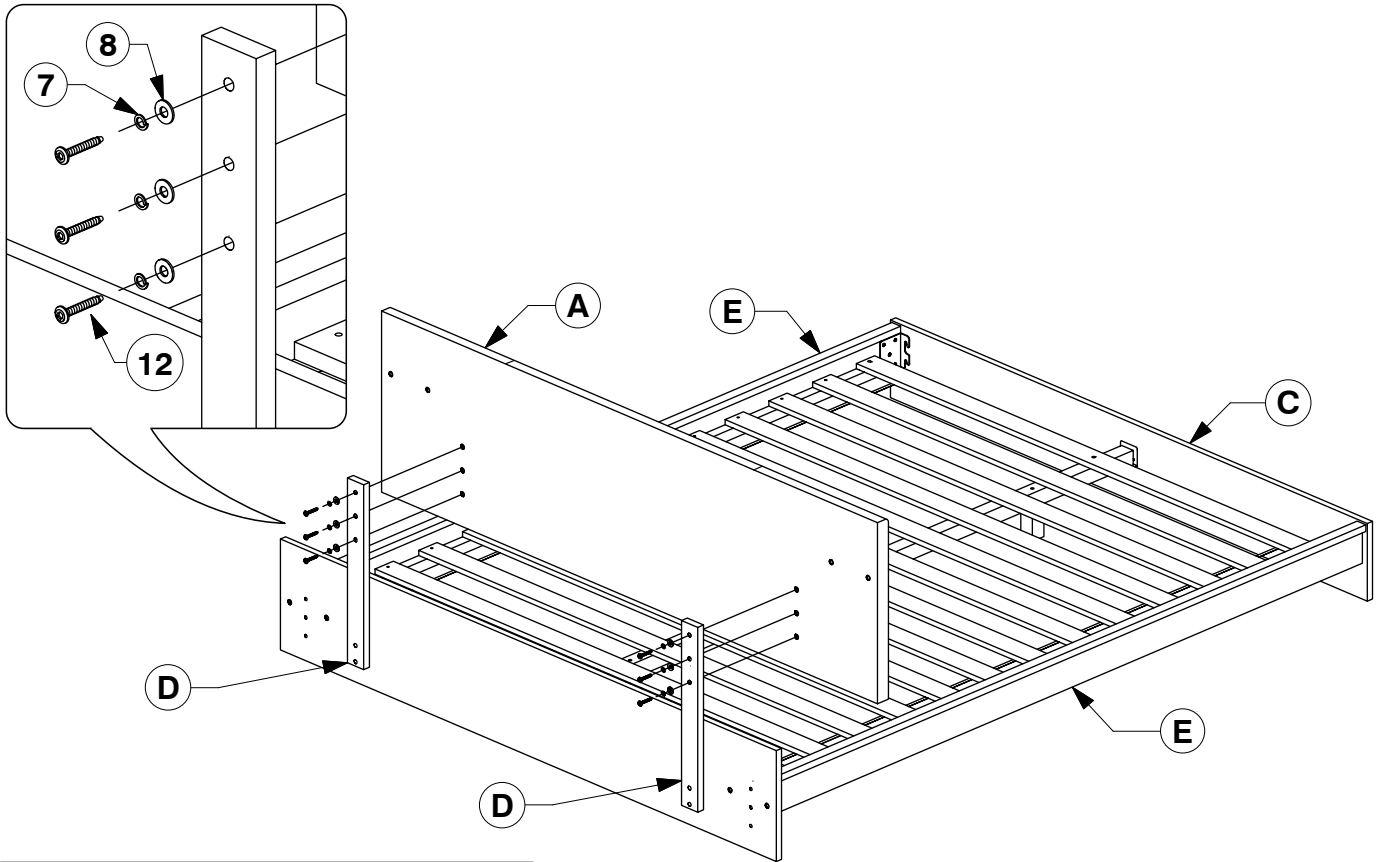
- 16** Assemble the Support Bars (D) to the Headboard Panel- Lower (B).



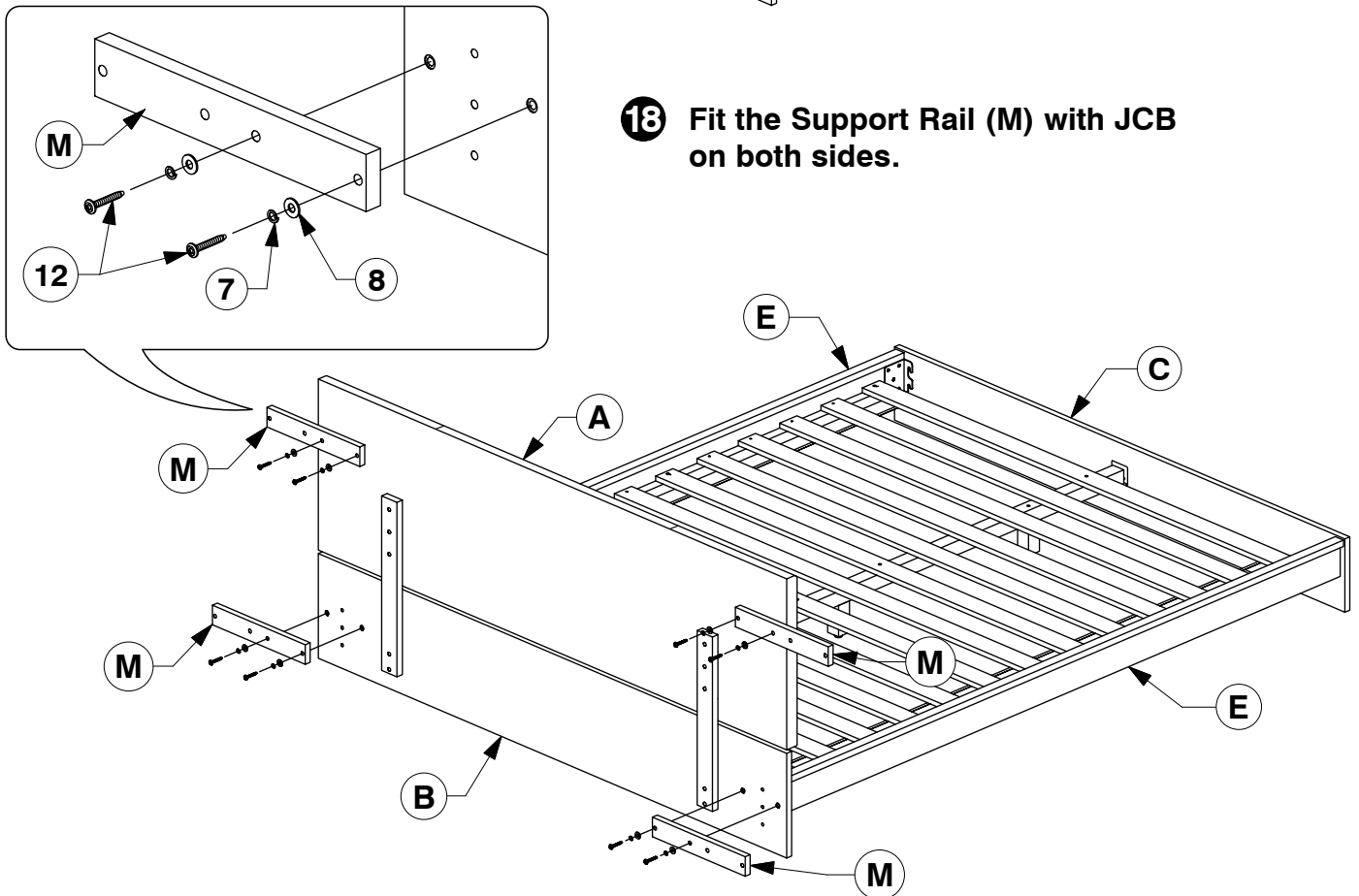
Queen Bed

Assembly Instructions

17 Assemble the Headboard Panel- Upper (A) to the Support Bars (D).



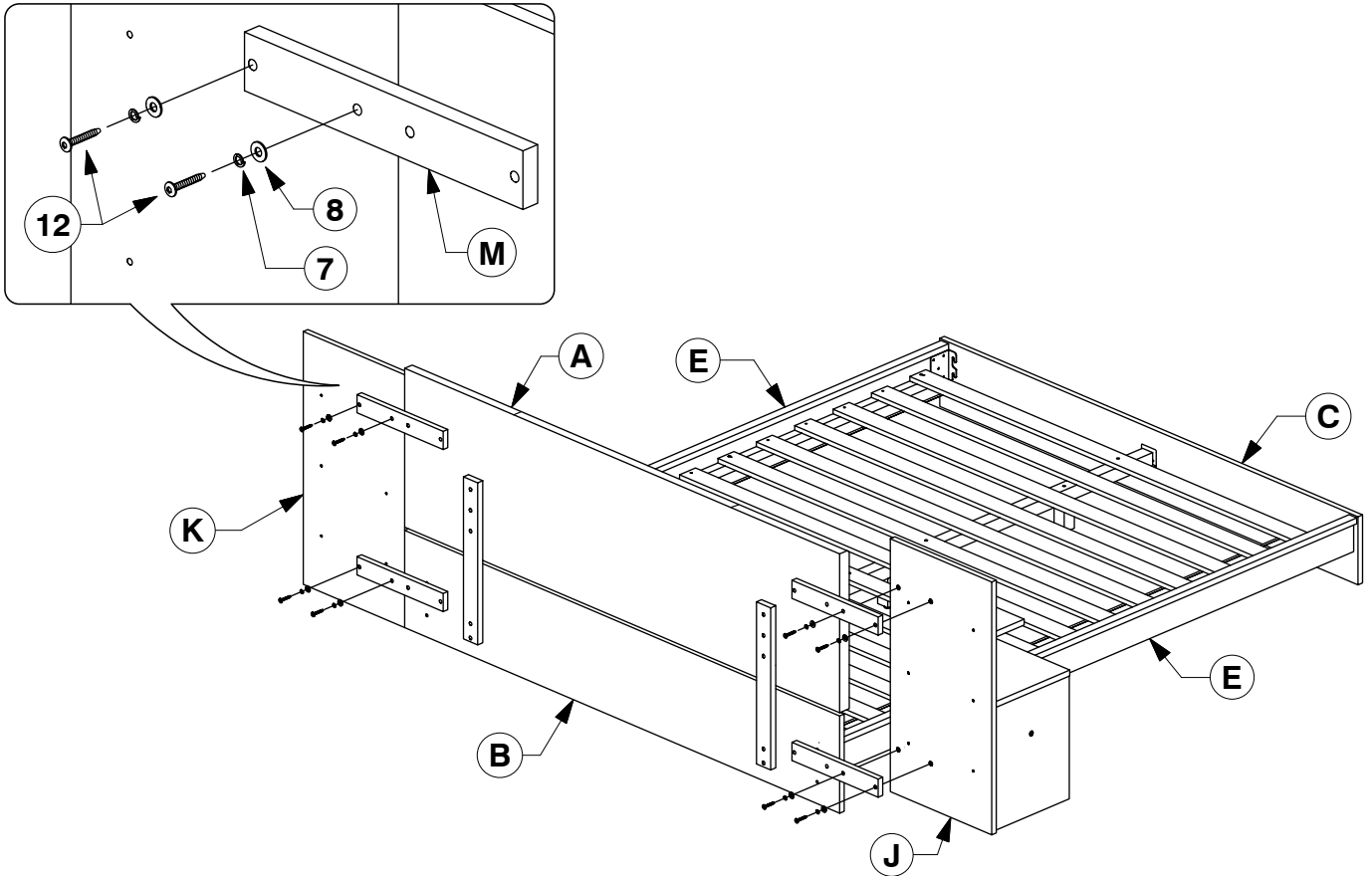
18 Fit the Support Rail (M) with JCB on both sides.



Queen Bed

Assembly Instructions

- 19** Assembled the Side Panel (J & K) to the Support Rail (M) with JCB on both sides.



- 20** Finally fit the assembled Drawers.

