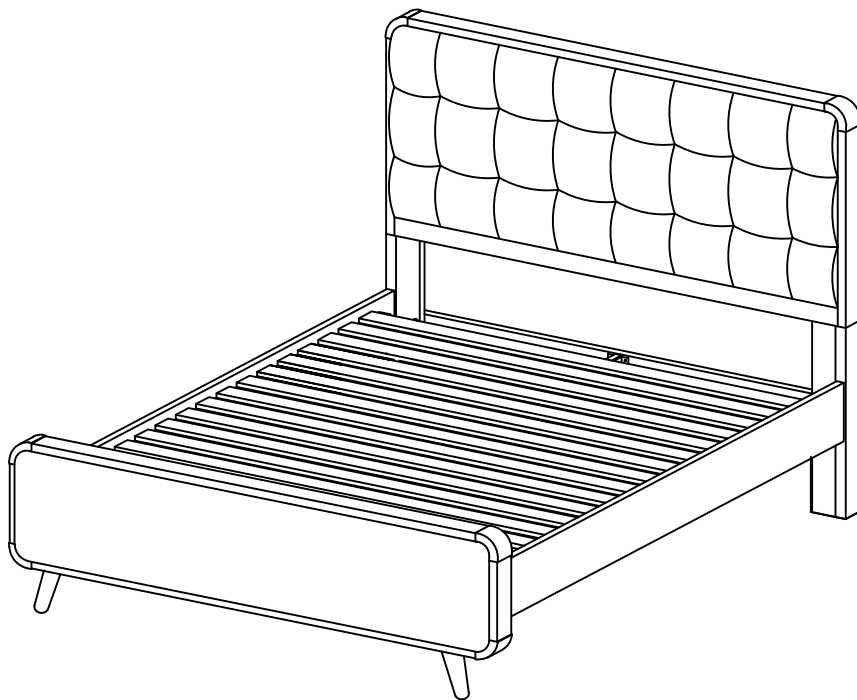


ASSEMBLY INSTRUCTIONS



Fine Furniture for every stage of life

Eastern King Bed

REVISION 0 : 08/17/2018
REVISION 1 : 12/04/2019
REVISION 2 : 08/04/2020

PAGE 1 OF 9

ASSEMBLY INSTRUCTIONS

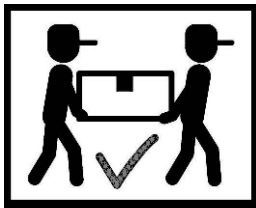
ASSEMBLY TIPS:

1. Remove hardware from box and sort by size.
2. Please check to see that all hardware and parts are present prior to start of assembly.
3. Please follow attached instructions in the same sequence as numbered to assure fast & easy assembly.



WARNING!

1. Don't attempt to repair or modify parts that are broken or defective. Please contact the store immediately.
2. This product is for home use only and not intended for commercial establishments.



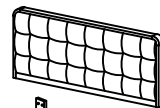
ASSEMBLY TIME

35 MINUTES

PARTS IDENTIFICATION

B1 (BOX 1)

AM HEADBOARD PANEL



1PC

BM LEFT HEADBOARD LEG



1PC

CM RIGHT HEADBOARD LEG



1PC

DM HEADBOARD BOTTOM RAIL



1PC

B2 (BOX 2)

EM FOOTBOARD PANEL



1PC

FM FOOTBOARD LEG



2PCS

B3 (BOX 3)

GM BED RAIL



2PCS

HM CENTER RAIL



1PC

IM CENTER RAIL SUPPORT WITH LEVELER



2PCS

JM ROLL SLAT (7PCS)



2SETS

KM BED SLAT SUPPORT WITH LEVELER



8PCS

ASSEMBLY INSTRUCTIONS

ASSEMBLY TIPS:

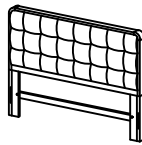
1. Remove hardware from box and sort by size.
2. Please check to see that all hardware and parts are present prior to start of assembly.
3. Please follow attached instructions in the same sequence as numbered to assure fast & easy assembly.



WARNING!

1. Don't attempt to repair or modify parts that are broken or defective. Please contact the store immediately.
2. This product is for home use only and not intended for commercial establishments.

**HB FROM BOX 1
HEADBOARD COMPLETE**



1PC

**FB FROM BOX 2
FOOTBOARD COMPLETE**



1PC

ASSEMBLY INSTRUCTIONS

ASSEMBLY TIPS:

1. Remove hardware from box and sort by size.
2. Please check to see that all hardware and parts are present prior to start of assembly.
3. Please follow attached instructions in the same sequence as numbered to assure fast & easy assembly.


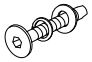

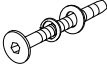







WARNING!

1. Don't attempt to repair or modify parts that are broken or defective. Please contact the store immediately.
2. This product is for home use only and not intended for commercial establishments.

HARDWARE IDENTIFICATION

BOX 3 - HARDWARE PACK

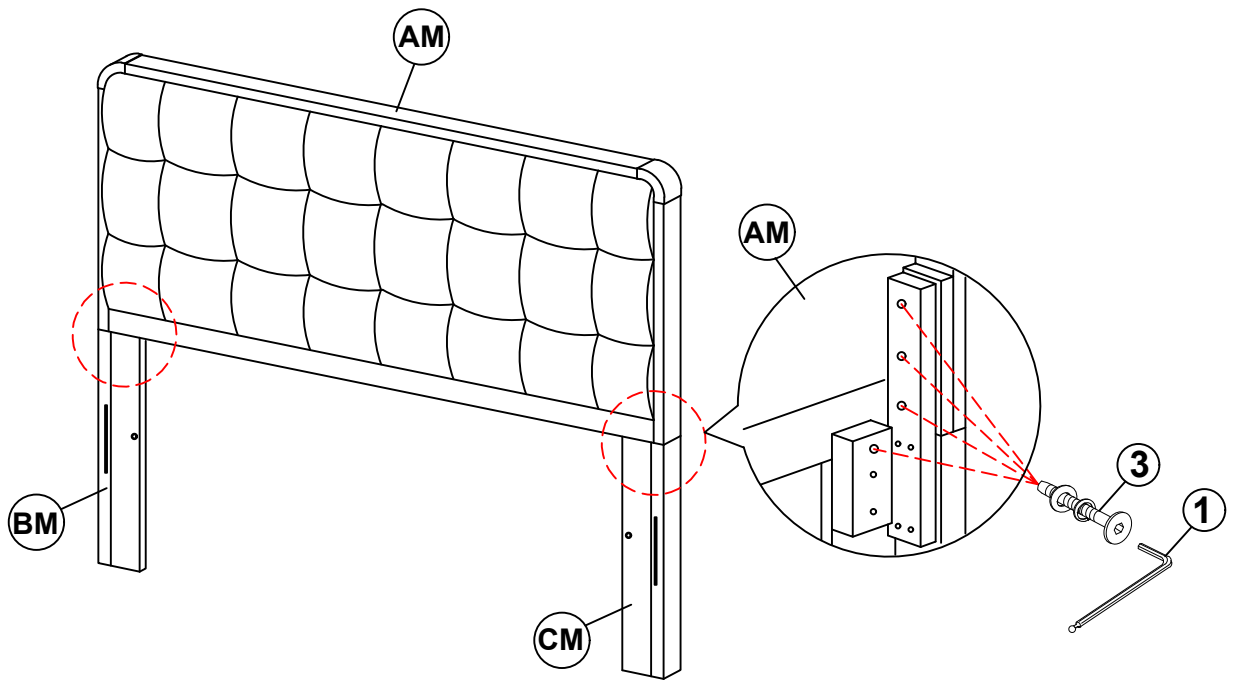
1	ALLEN WRENCH (M4 x 110mm - BLK)		1PC
2	SHORT BOLT WITH WASHER (M6 x 25mm - BLK)		8PCS
3	MEDIUM BOLT WITH WASHER (M6 x 45mm - BLK)		12PCS
4	LONG BOLT WITH WASHER (M6 x 60mm - BLK)		4PCS
5	SHORT FLAT HEAD SCREW (M4 x 20mm - BLK)		8PCS
6	LONG FLAT HEAD SCREW (#8 x1 1/8" - BLK)		28PCS
7	HEX NUT (M6 - RBW)		2PCS
8	U BRACKET (26 x 63 x 70mm - RBW)		2PCS
9	WRENCH (2 x 24.5 x 85 - RBW)		1PC

NOTE:

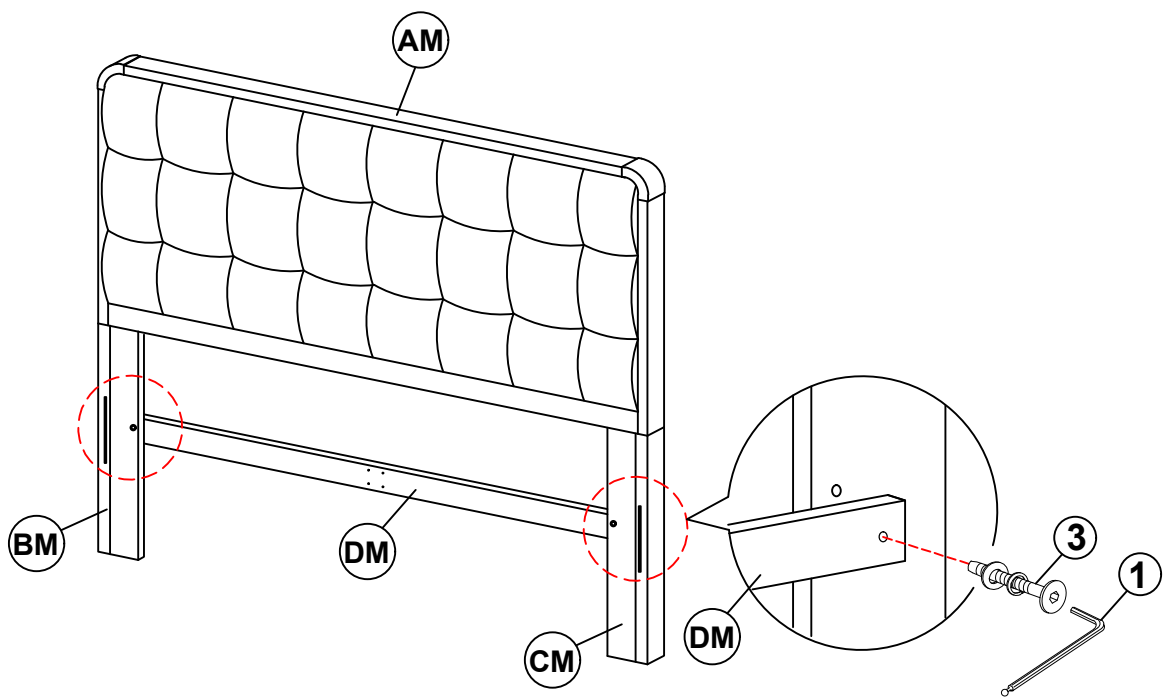
Phillips head screw driver is required in the assembly process; however, manufacturer does not provide this item.

ASSEMBLY INSTRUCTIONS

STEP 1

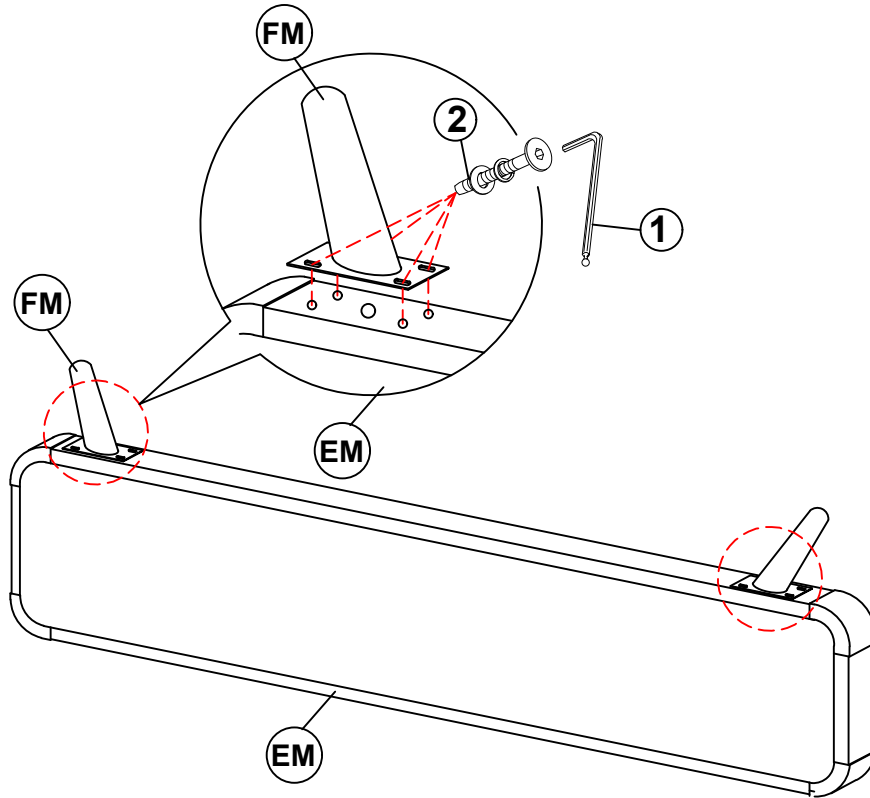


STEP 2

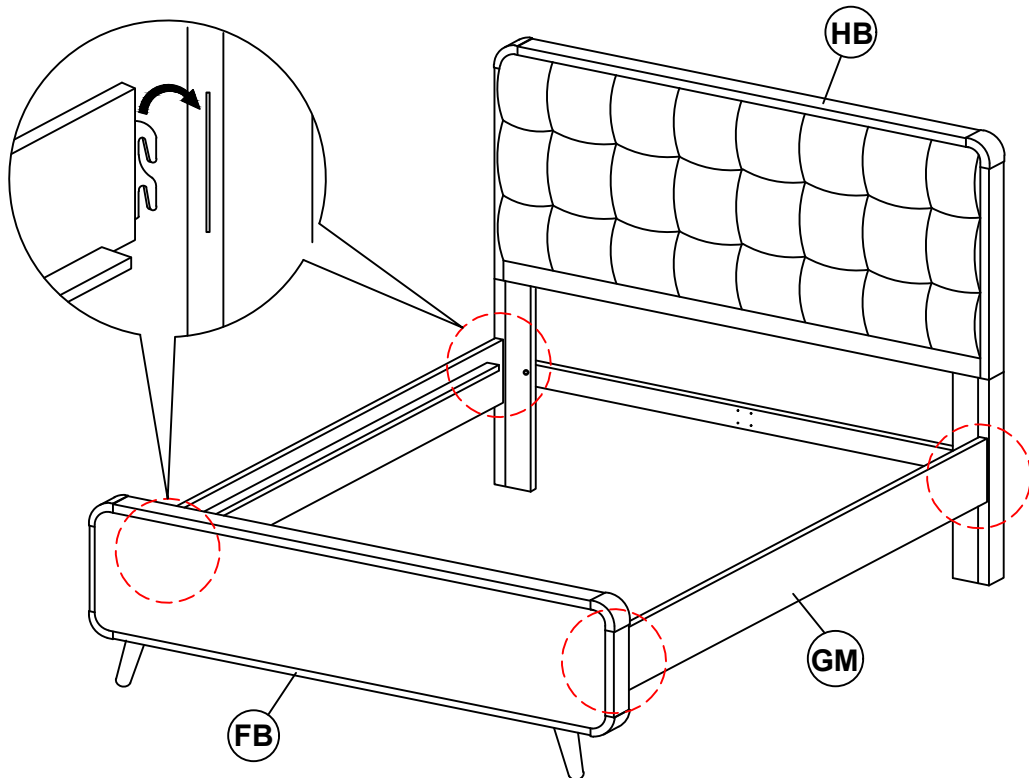


ASSEMBLY INSTRUCTIONS

STEP 3

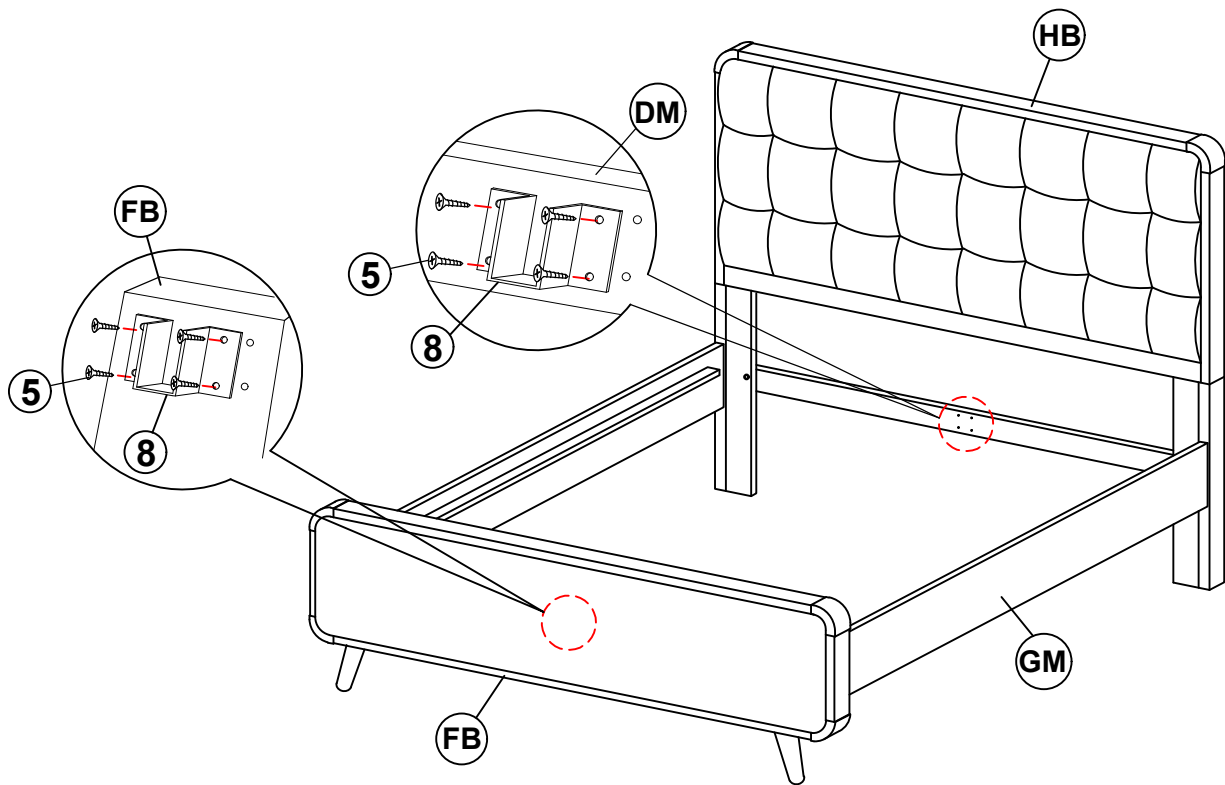


STEP 4

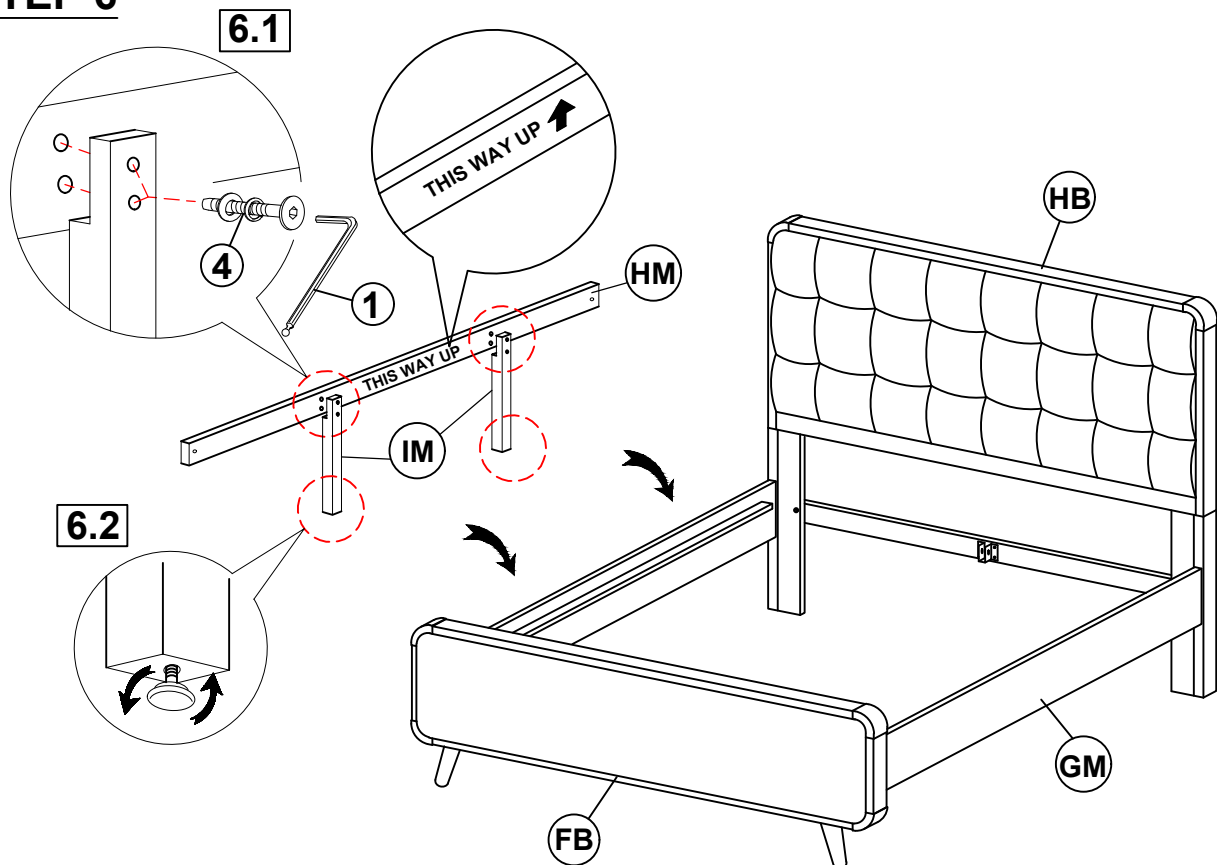


ASSEMBLY INSTRUCTIONS

STEP 5

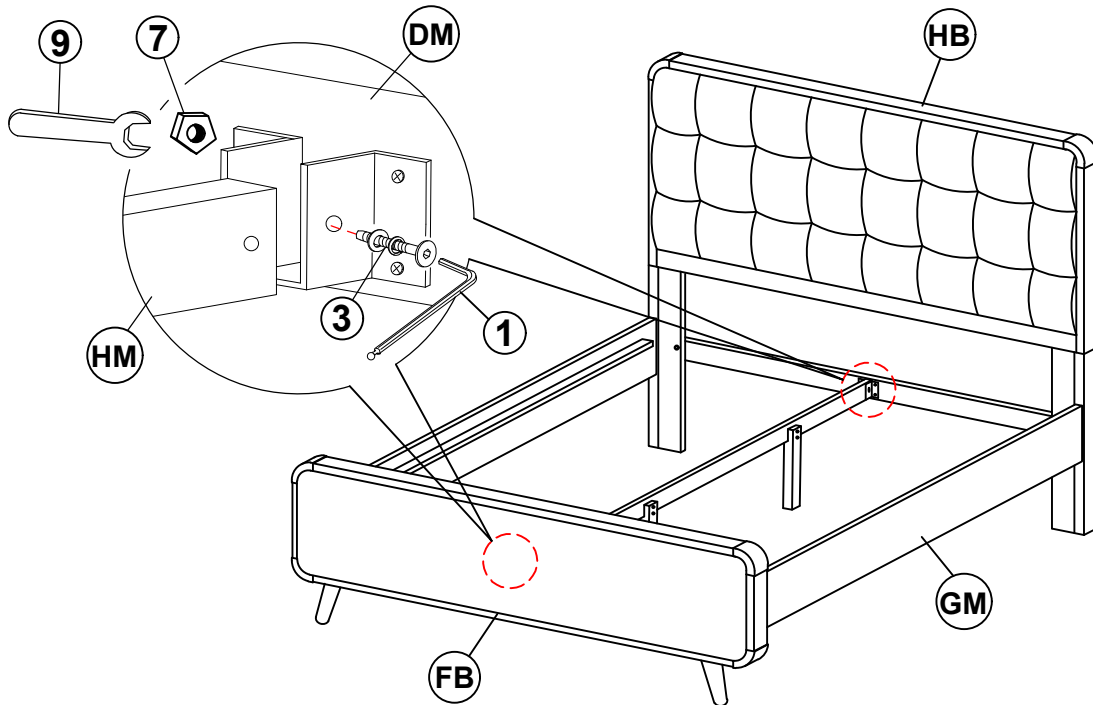


STEP 6

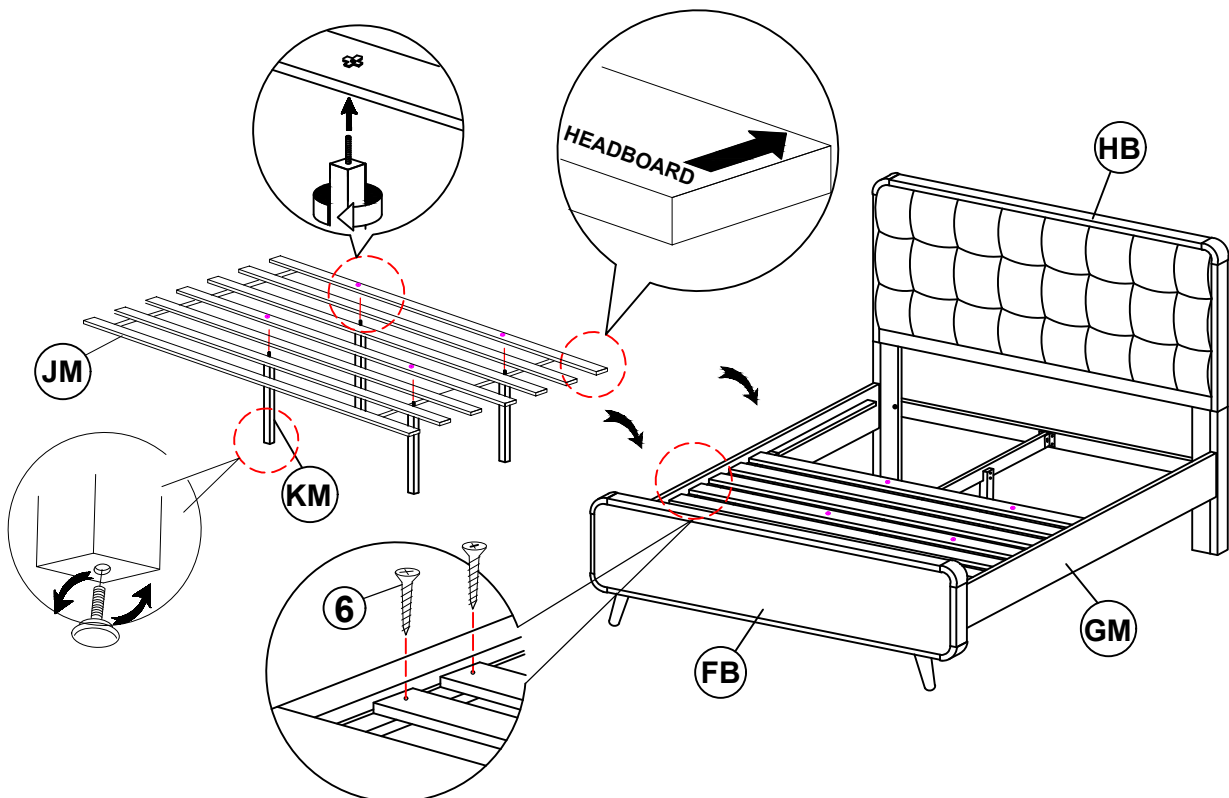


ASSEMBLY INSTRUCTIONS

STEP 7



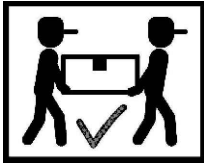
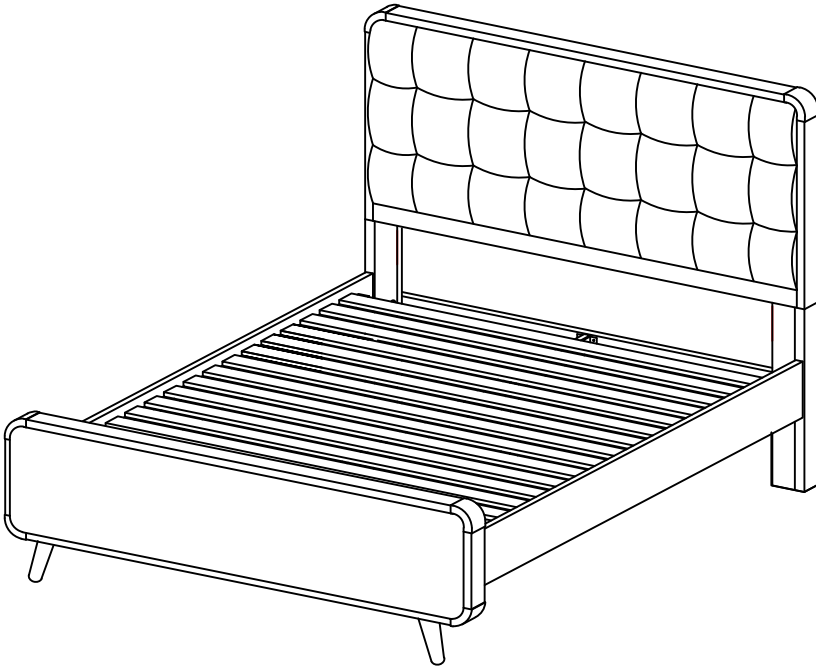
STEP 8



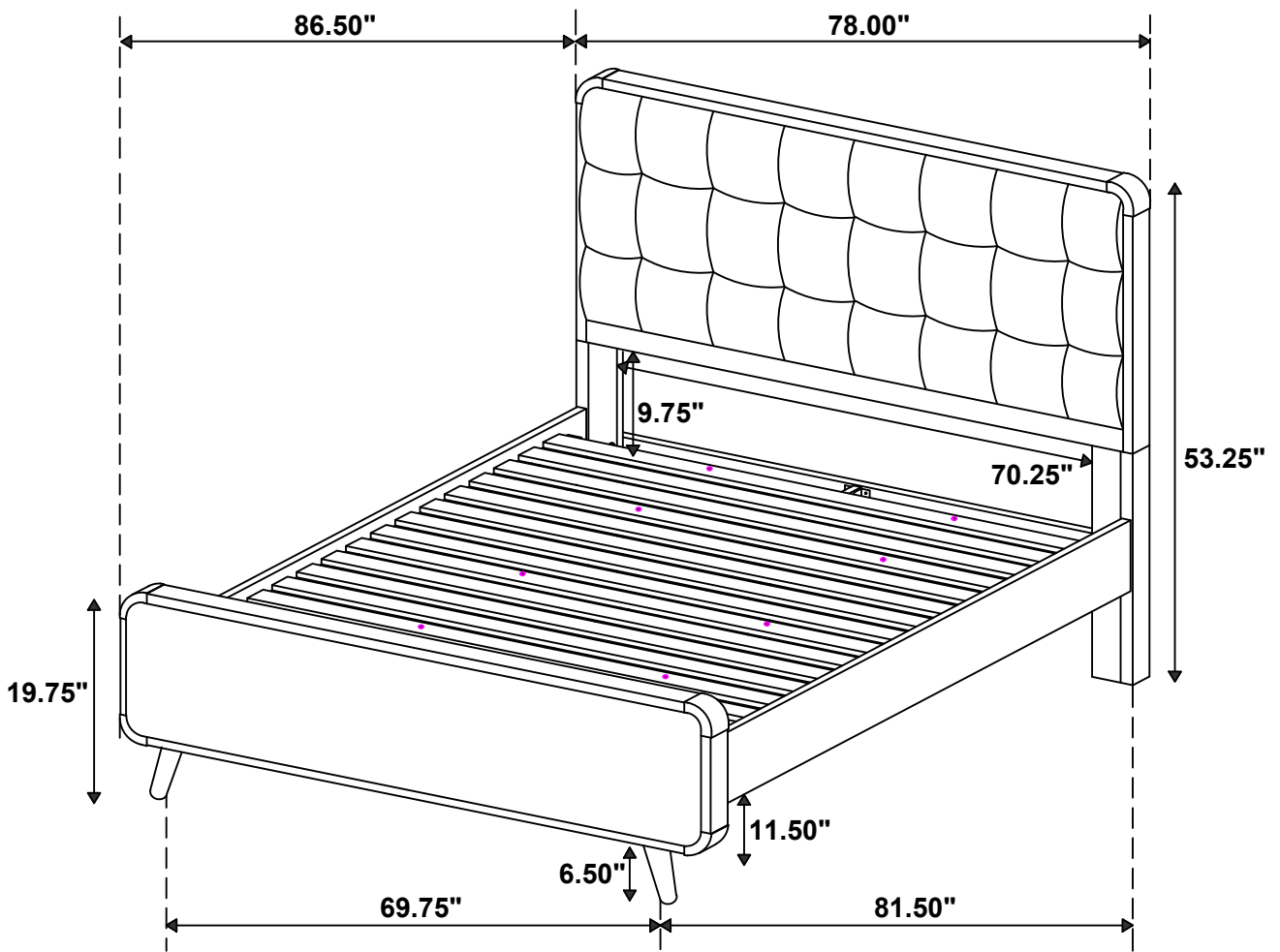
ASSEMBLY INSTRUCTIONS

STEP 9

COMPLETE



Inner Size : 76.00"W x 81.00"D



Note: Dimension tolerance $\pm 5\%$

ASSEMBLY INSTRUCTIONS



Fine Furniture for every stage of life

Nightstand

REVISION 0 : 08/17/2018
REVISION 1 : 12/04/2019
REVISION 2 : 08/04/2020
REVISION 3 : 07/05/2024

PAGE 1 OF 4

ASSEMBLY INSTRUCTIONS

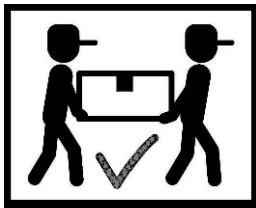
ASSEMBLY TIPS:

1. Remove hardware from box and sort by size.
2. Please check to see that all hardware and parts are present prior to start of assembly.
3. Please follow attached instructions in the same sequence as numbered to assure fast & easy assembly.



WARNING!

1. Don't attempt to repair or modify parts that are broken or defective. Please contact the store immediately.
2. This product is for home use only and not intended for commercial establishments.

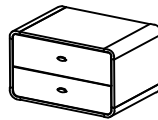


ASSEMBLY TIME

15 MINUTES

PARTS IDENTIFICATION

AM NIGHTSTAND



1PC

BM LEG



4PCS

HARDWARE IDENTIFICATION

1 ALLEN WRENCH
(M4 - BLK)



1PC

2 BOLT WITH WASHER
(M6 x 25mm - BLK)



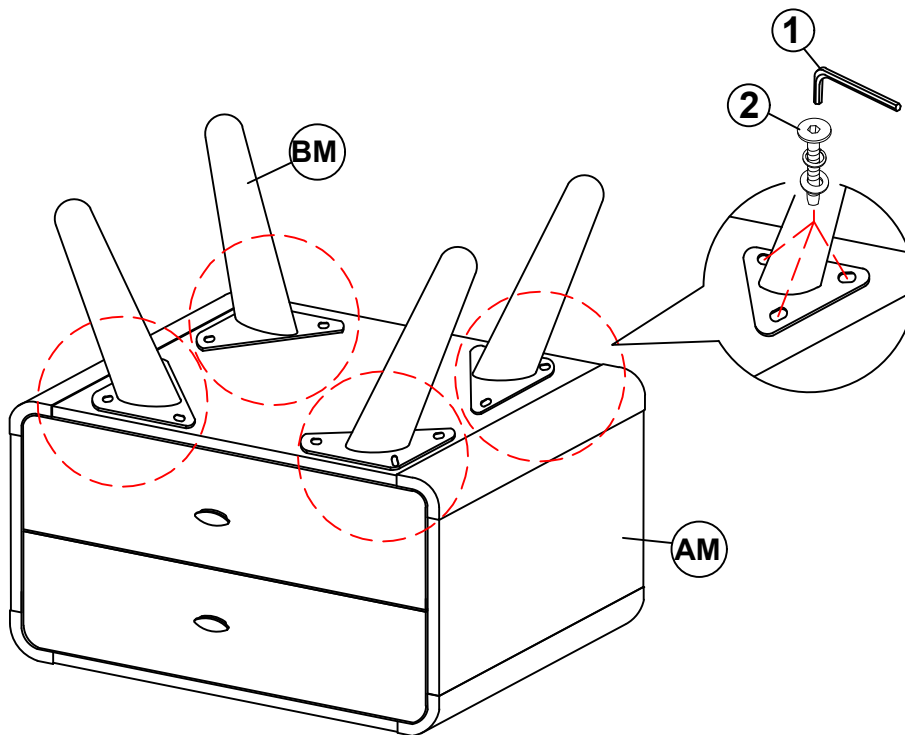
12PCS

NOTE:

Phillips head screw driver is required in the assembly process; however, manufacturer does not provide this item.

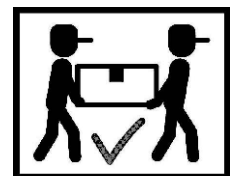
ASSEMBLY INSTRUCTIONS

STEP 1



STEP 2

COMPLETE



ANTI-TIPPING INSTALLMENT INSTRUCTIONS

FURNITURE TIPPING RESTRAINT

WARNING

Injury may result from tipping furniture.

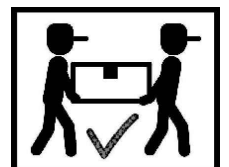
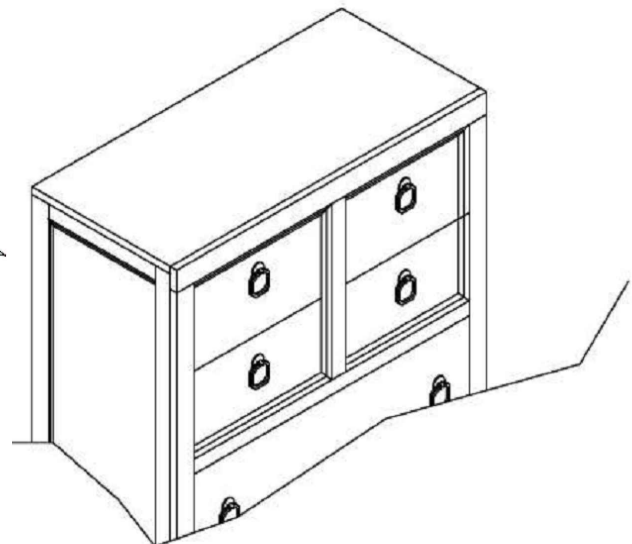
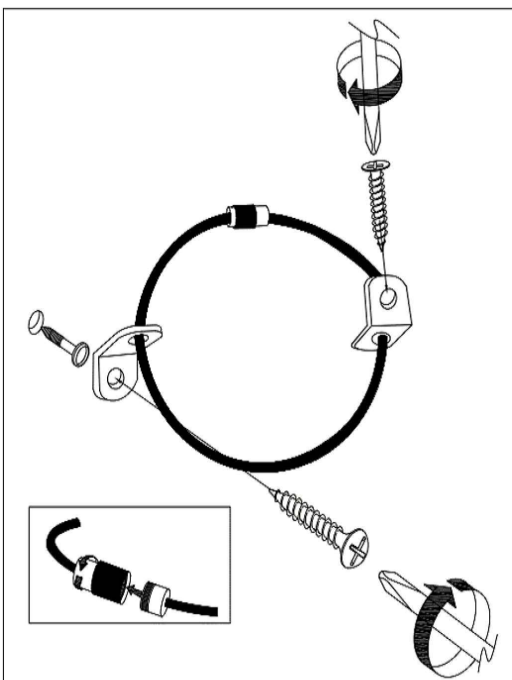
This restraint may protect against tipping furniture.

Do not allow children to climb on furniture.

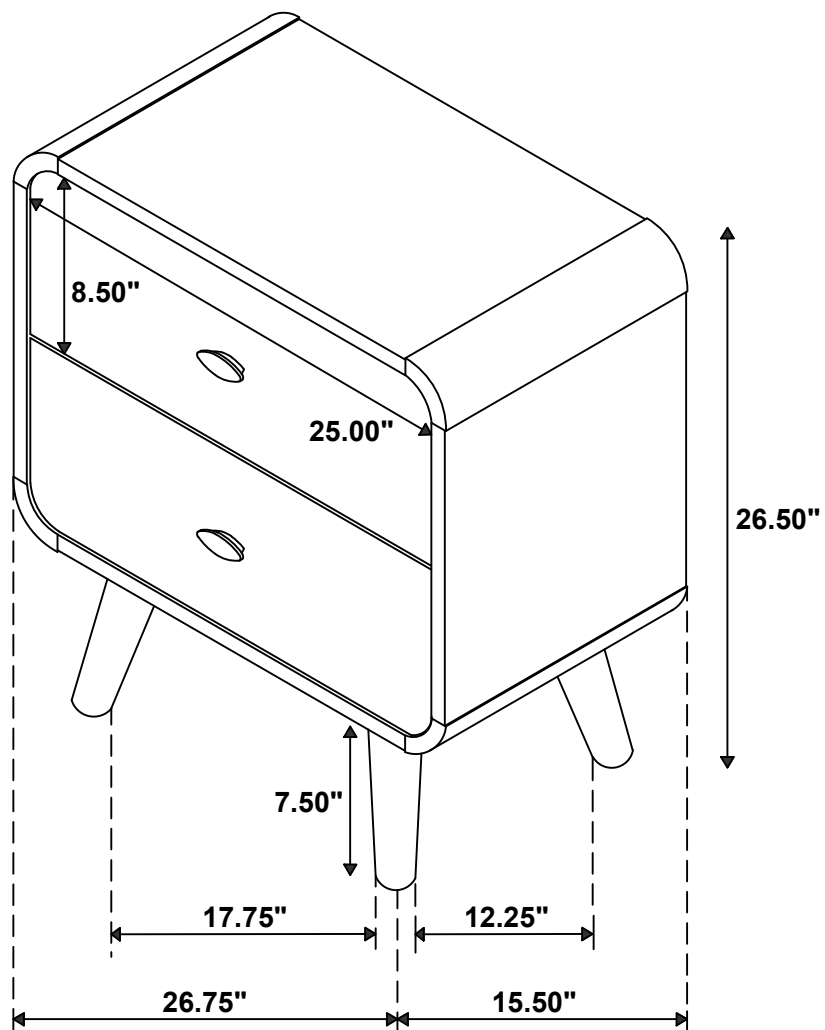
This restraint is not a substitute for proper adult supervision.

Failure to detach this restraint before moving the furniture may result in injury and damage.

1. Attach one of the mounting brackets securely to the back edge of the unit, using the short screw.
2. Determine where the unit is to be placed, and mark the location on the wall for the other mounting bracket. The bracket on the wall needs to be approximately 2" below the bracket mounted to the edge of the unit.
3. Drill a hole in the wall. Insert the plastic wall anchor into the hole and if necessary, use a small block of wood and hammer to tap it in so that it's flush with the wall.
4. Attach the bracket over the plastic wall anchor using the long screw.
5. Place the unit against the wall, both brackets need to be facing each other.
6. Lace an end of the restraint strap through the hole in each bracket. Bring both ends together and rotate the thumb nut onto the threaded end until tight.
7. Ensure that the restraint strap is securely laced and locked.



Inner Size of Drawer : 20.75"W x 12.25"D x 5.50"H x 0.50"T



Note : Dimension tolerance $\pm 5\%$

ASSEMBLY INSTRUCTIONS



Fine Furniture for every stage of life

Dresser

REVISION 0 : 08/17/2018
REVISION 1 : 12/04/2019
REVISION 2 : 08/04/2020
REVISION 3 : 07/05/2024

PAGE 1 OF 4

ASSEMBLY INSTRUCTIONS

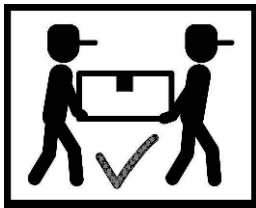
ASSEMBLY TIPS:

1. Remove hardware from box and sort by size.
2. Please check to see that all hardware and parts are present prior to start of assembly.
3. Please follow attached instructions in the same sequence as numbered to assure fast & easy assembly.



WARNING!

1. Don't attempt to repair or modify parts that are broken or defective. Please contact the store immediately.
2. This product is for home use only and not intended for commercial establishments.

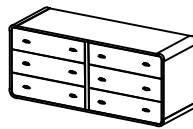


ASSEMBLY TIME

15 MINUTES

PARTS IDENTIFICATION

AM DRESSER



1PC

BM LEG



4PCS

CM CENTER SUPPORT LEG WITH LEVELER



1PC

HARDWARE IDENTIFICATION

1 ALLEN WRENCH (M4 - BLK)



1PC

2 BOLT WITH WASHER (M6 x 25mm - BLK)



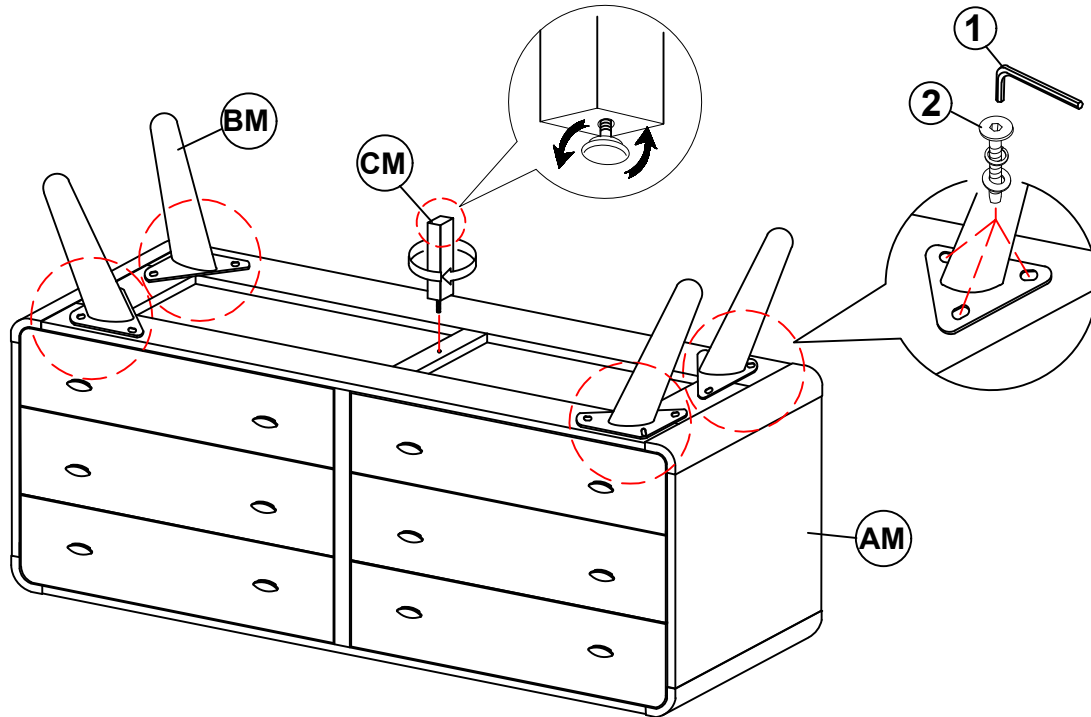
12PCS

NOTE:

Phillips head screw driver is required in the assembly process; however, manufacturer does not provide this item.

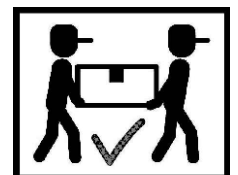
ASSEMBLY INSTRUCTIONS

STEP 1



STEP 2

COMPLETE



ANTI-TIPPING INSTALLMENT INSTRUCTIONS

FURNITURE TIPPING RESTRAINT

WARNING

Injury may result from tipping furniture.

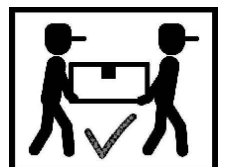
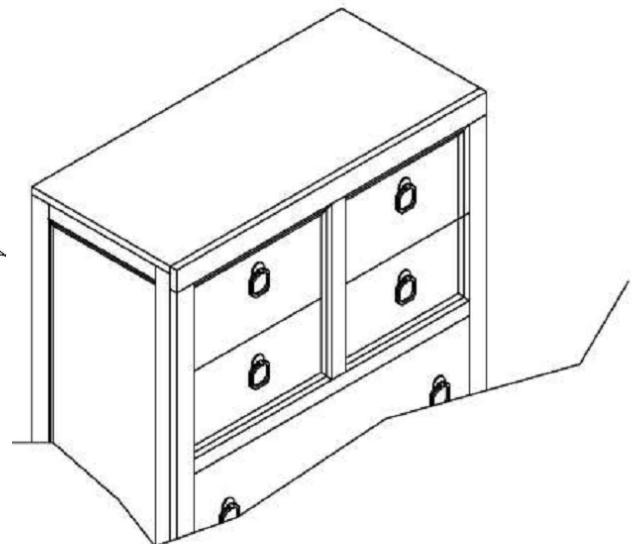
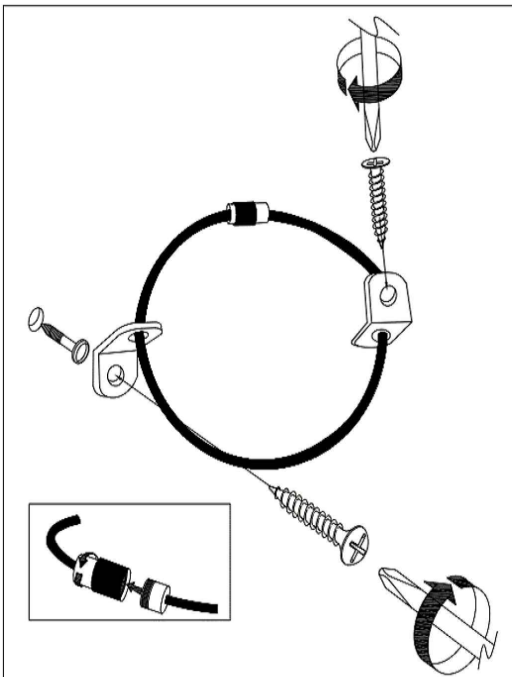
This restraint may protect against tipping furniture.

Do not allow children to climb on furniture.

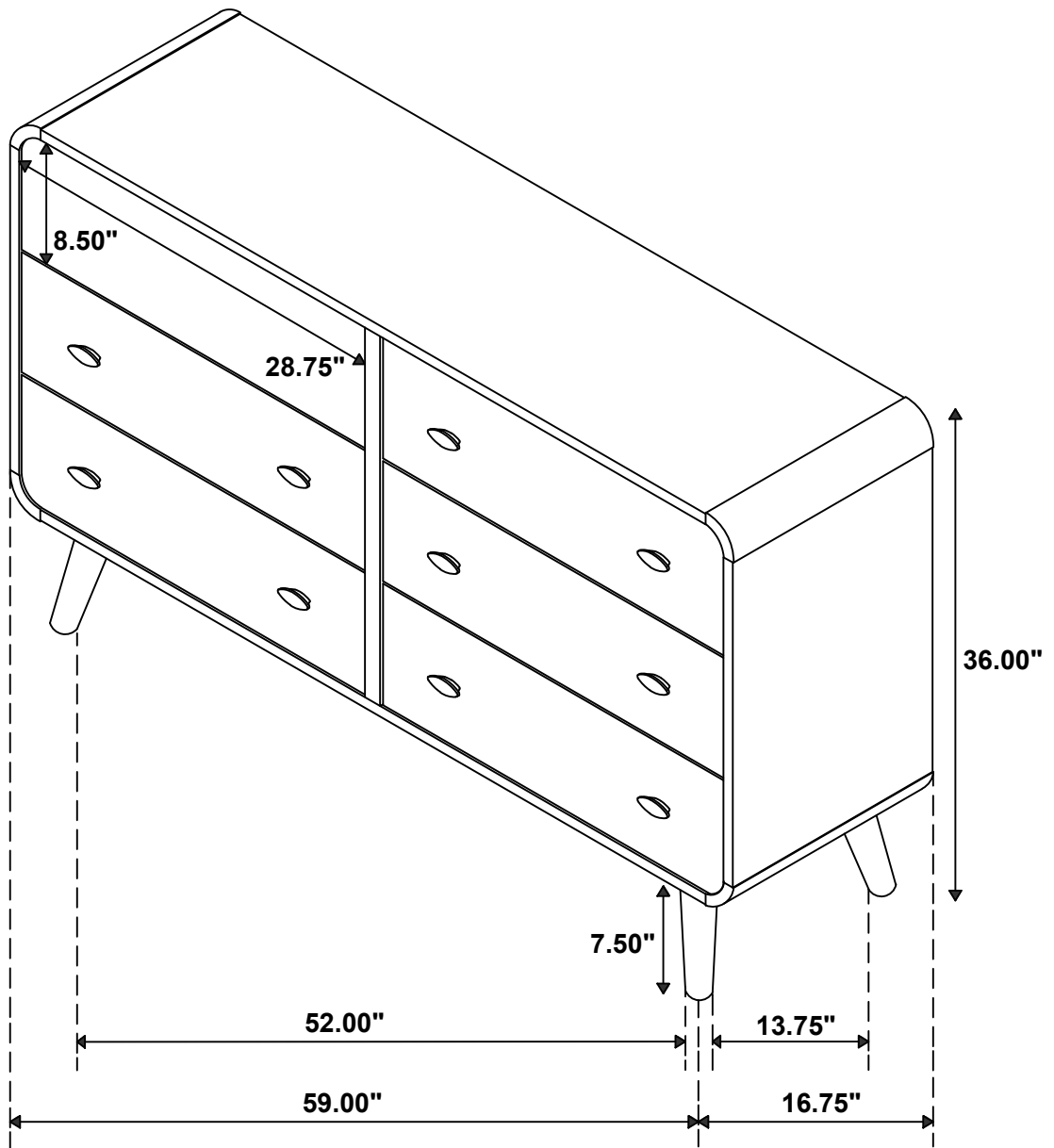
This restraint is not a substitute for proper adult supervision.

Failure to detach this restraint before moving the furniture may result in injury and damage.

1. Attach one of the mounting brackets securely to the back edge of the unit, using the short screw.
2. Determine where the unit is to be placed, and mark the location on the wall for the other mounting bracket. The bracket on the wall needs to be approximately 2" below the bracket mounted to the edge of the unit.
3. Drill a hole in the wall. Insert the plastic wall anchor into the hole and if necessary, use a small block of wood and hammer to tap it in so that it's flush with the wall.
4. Attach the bracket over the plastic wall anchor using the long screw.
5. Place the unit against the wall, both brackets need to be facing each other.
6. Lace an end of the restraint strap through the hole in each bracket. Bring both ends together and rotate the thumb nut onto the threaded end until tight.
7. Ensure that the restraint strap is securely laced and locked.



Inner Size of Drawer : 25.75"W x 13.75"D x 5.50"H x 0.50"T



Note: Dimension tolerance $\pm 5\%$

ASSEMBLY INSTRUCTIONS



Fine Furniture for every stage of life

Mirror

REVISION 0 : 08/17/2018
REVISION 1 : 12/04/2019
REVISION 2 : 08/04/2020
REVISION 3 : 09/04/2023

PAGE 1 OF 3

ASSEMBLY INSTRUCTIONS

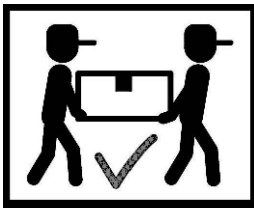
ASSEMBLY TIPS:

1. Remove hardware from box and sort by size.
2. Please check to see that all hardware and parts are present prior to start of assembly.
3. Please follow attached instructions in the same sequence as numbered to assure fast & easy assembly.



WARNING!

1. Don't attempt to repair or modify parts that are broken or defective. Please contact the store immediately.
2. This product is for home use only and not intended for commercial establishments.

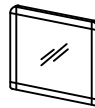


ASSEMBLY TIME

10 MINUTES

PARTS IDENTIFICATION

AM MIRROR



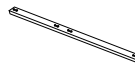
1PC

BM DRESSER



1PC

CM MIRROR SUPPORT
(PACKED WITH DRESSER)



2PCS

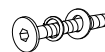
HARDWARE IDENTIFICATION

1 ALLEN WRENCH
(M4 - BLK)



1PC

2 BOLT WITH WASHER
(M6 x 35mm - BLK)



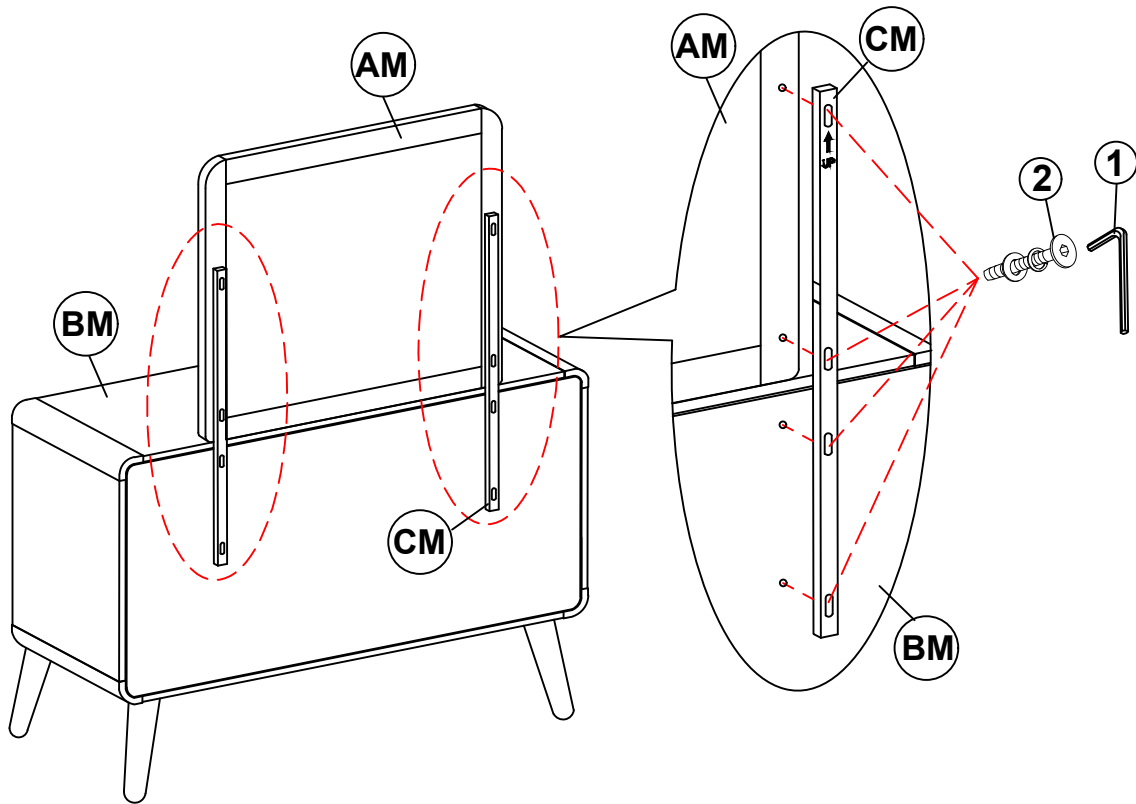
8PCS

NOTE:

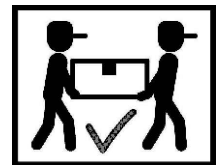
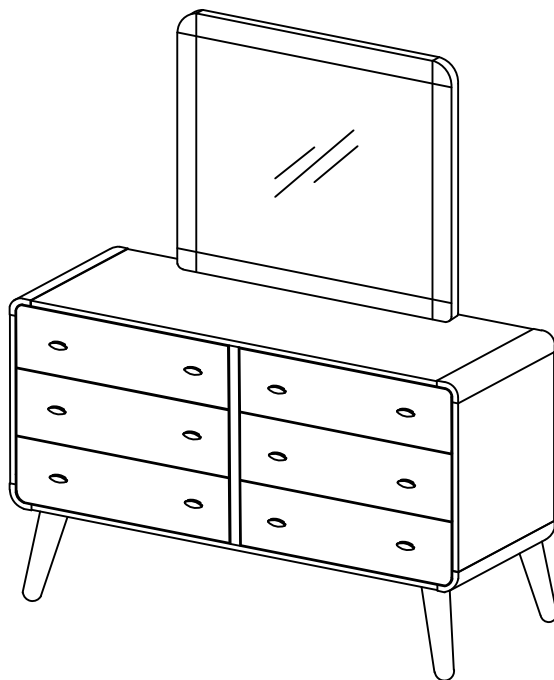
Phillips head screw driver is required in the assembly process; however, manufacturer does not provide this item.

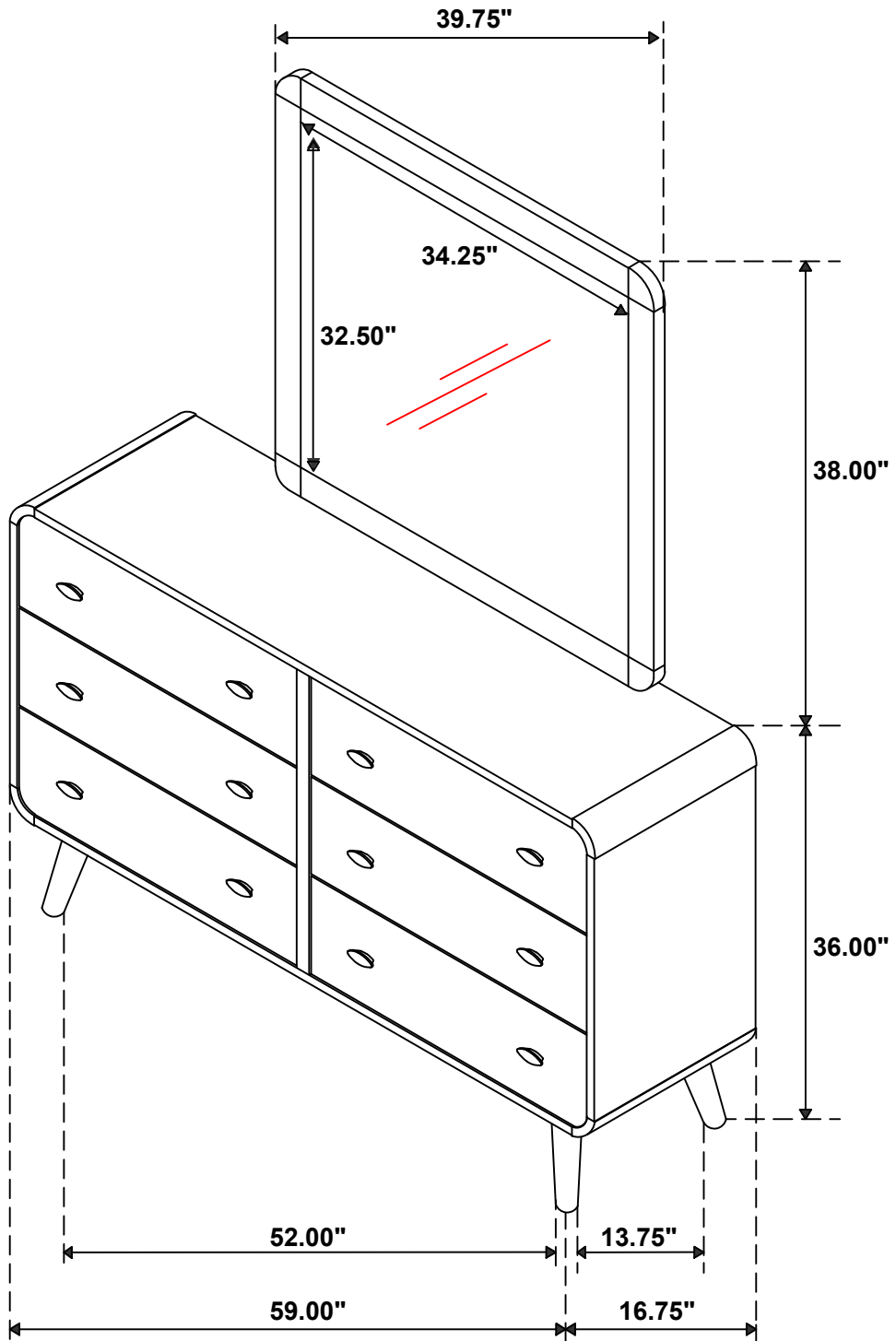
ASSEMBLY INSTRUCTIONS

STEP 1



STEP 2 COMPLETE





Note : Dimension tolerance $\pm 5\%$