

Justice Design Group

Installation Instructions

Wall Sconce

For Model: FAB-9028-CREM-BRSS

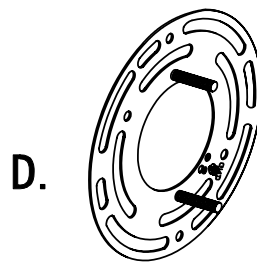
IMPORTANT

- . Justice Design recommends that a licensed electrician install this lighting fixture
- . Installation must comply with all building, safety, and electrical codes and requirements
- . Disconnect power to the junction box prior to installation
- . Do not reconnect power until this fixture is properly installed
- . This fixture is designed to mount to a standard metal 4-0 octagonal junction box



Hardware Pack contains:

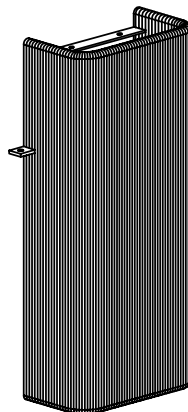
- A. (2) Mounting Screws
- B. (2) Finials
- C. (3) Wire Nuts
- D. (1) Mounting Plate
- E. (2) Screws
- F. (2) Screws



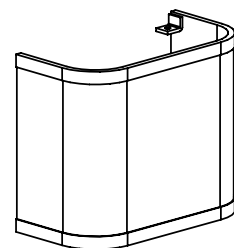
Other parts included in the box:

- G. (1) String Shade
- H. (1) Fabric Shade

G.



H.



405 E Euclid Ave · Compton, CA 90222

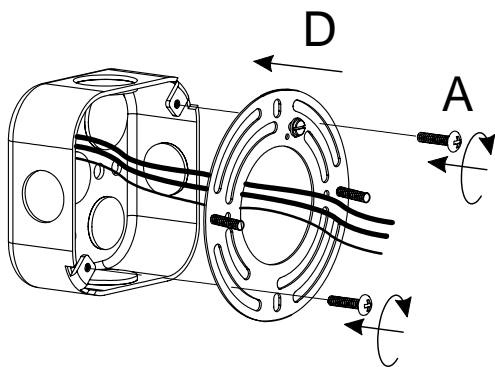
Tel: (213) 437-0102 · Fax: (213) 437-0860 · E-mail: sales@JDG.COM Website: www.JDG.com

FAB-9028-CREM-BRSS

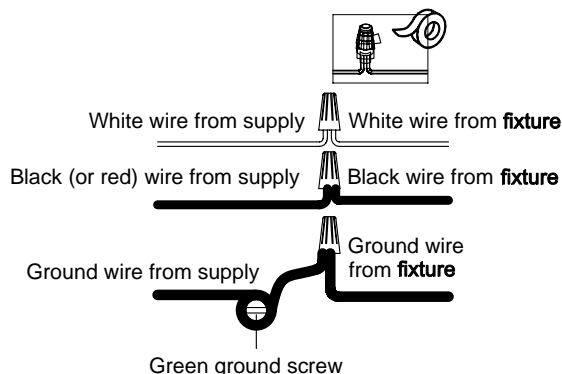
© 01/13/2026

1

Attach the mounting plate (D) to junction box using mounting screws (A).
 Note: The side of the mounting plate marked "GND" must face out. **The junction box is not included.**

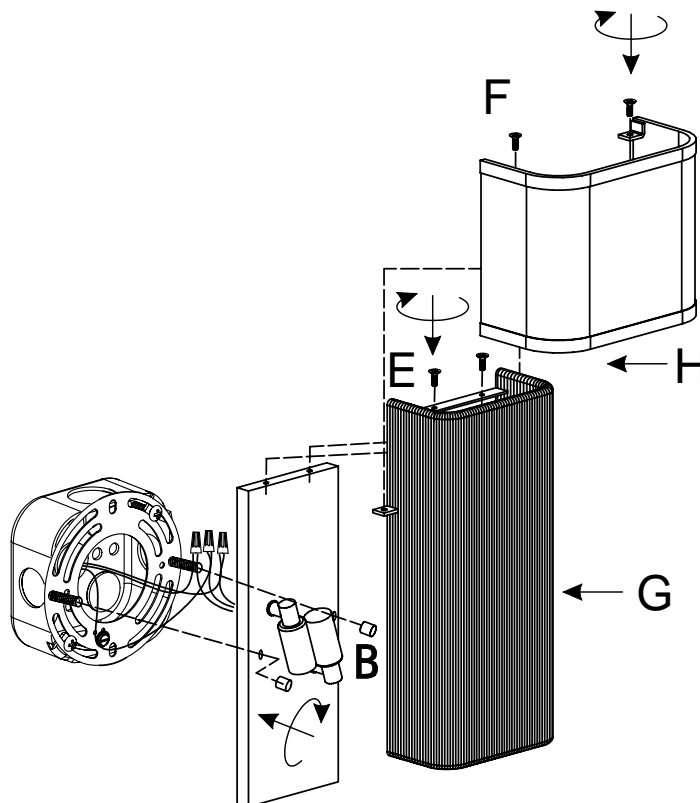


2



3

1. Tuck wires and wire nuts (C) into junction box. Attach fixture to mounting plate (D) then lock it securely with the finials (B).
2. NOTE: Install bulbs (Not included). Take care never to exceed maximum wattage.
3. Install the string shade (G) onto the fixture then lock it securely with the screws (E). the fabric shade (H) onto the string shade (G) then lock it securely with the screws (F).



**Your installation is now complete.
 Return power to the junction box
 and test the fixture.**