

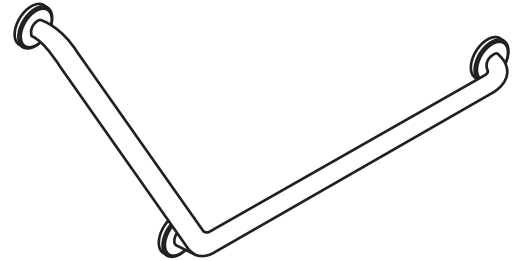
# Easy Mount™

Grab Bar 120°

## Technical Data Sheet

### Product Specification

The product feature a multi-hole flange to allow versatility for mounting screws. All components of the product shall be constructed of #304 stainless steel, suitable for use in wet environments. The product shall be constructed of 1.25" / 32mm tubing. The product shall have a weight capacity of 500lbs/227kgs. The product shall be HealthCraft Products model GB-\_\_\_ (see table below for appropriate product code).



### Key Features

- #304 Stainless Steel Construction
- Suitable For Use in a Wet Environment
- Flange Covers that Conceal Mounting Hardware
- 500lbs / 227kgs Weight Capacity

### Codes and Standards

- ADA 609.2 Cross Section
- ADA 609.3 Spacing
- ADA 609.8 Structural Strength



### Specified Model

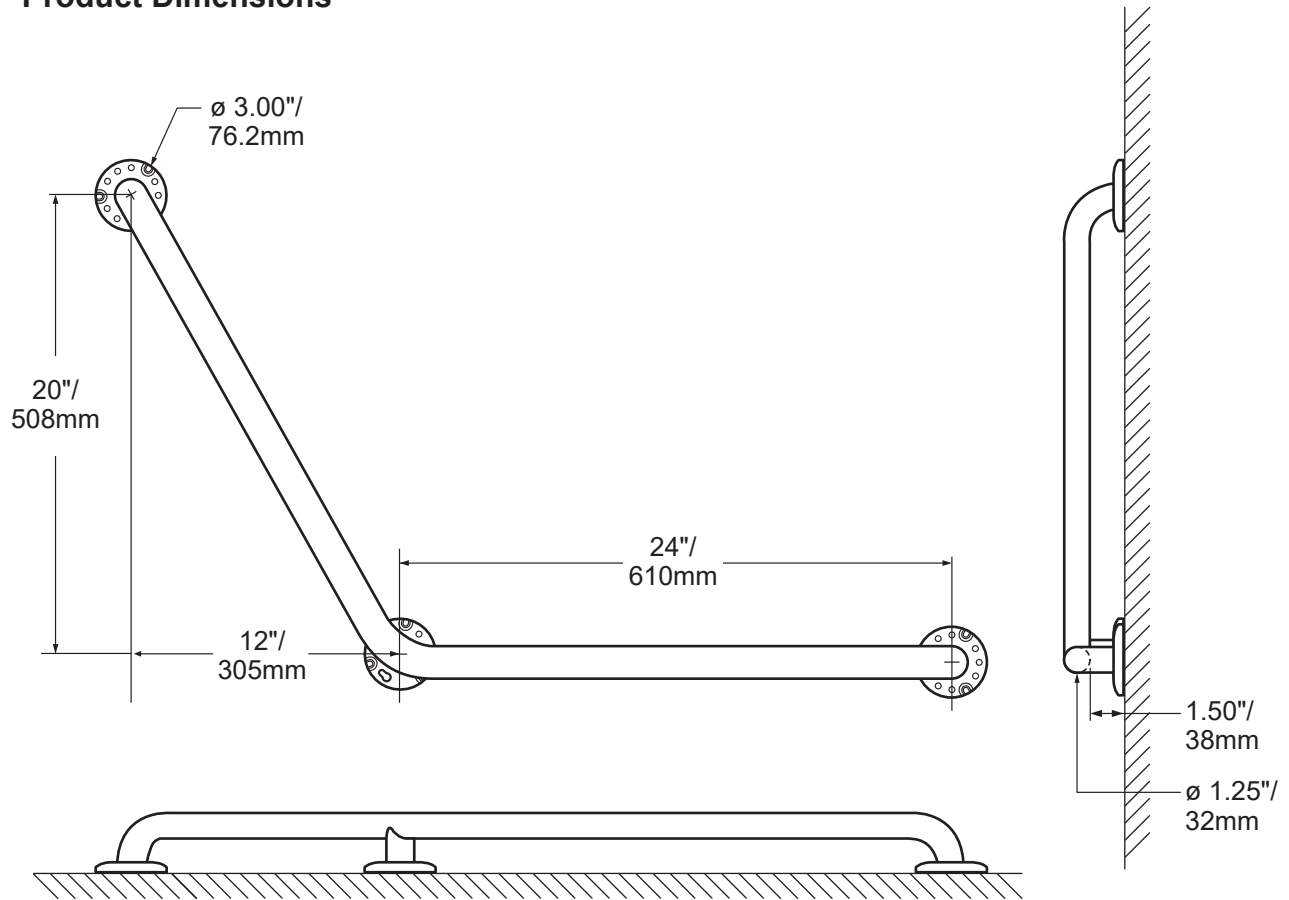
Model	FINISH	LENGTH	MATERIAL
GB-24x24-SK	Knurled Stainless	24" / 610cmm	#304 Stainless Steel

# Easy Mount™

Grab Bar 120°

## Technical Data Sheet

### Product Dimensions



### Material Thickness

Tube Thickness: 0.049" / 1.25mm (approx)

Plate Thickness: 0.090" / 2.27mm (approx)

Cover Thickness: 0.030" / 0.76mm (approx)