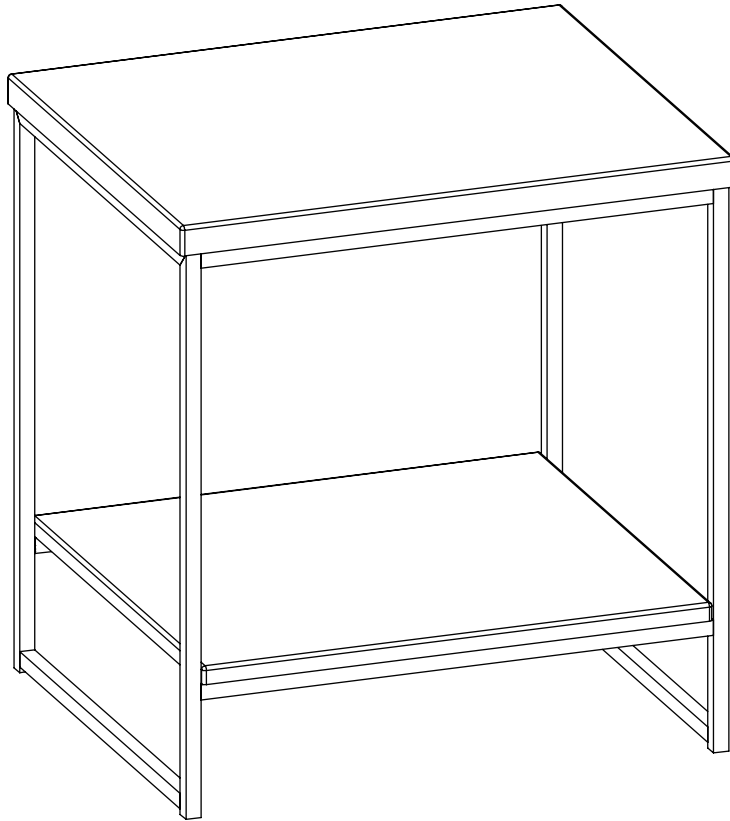


2 Tier White Faux Marble Print End Table(Dark Grey)

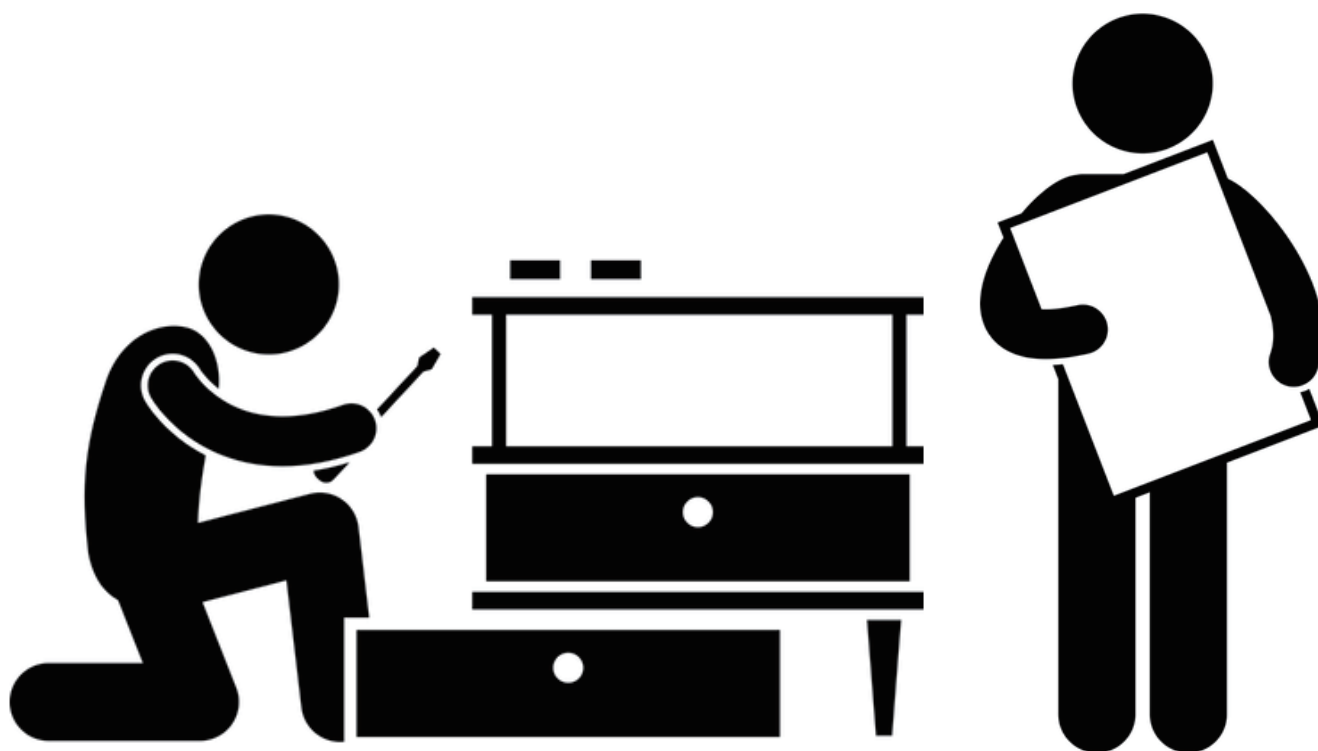


ASSEMBLY INSTRUCTION

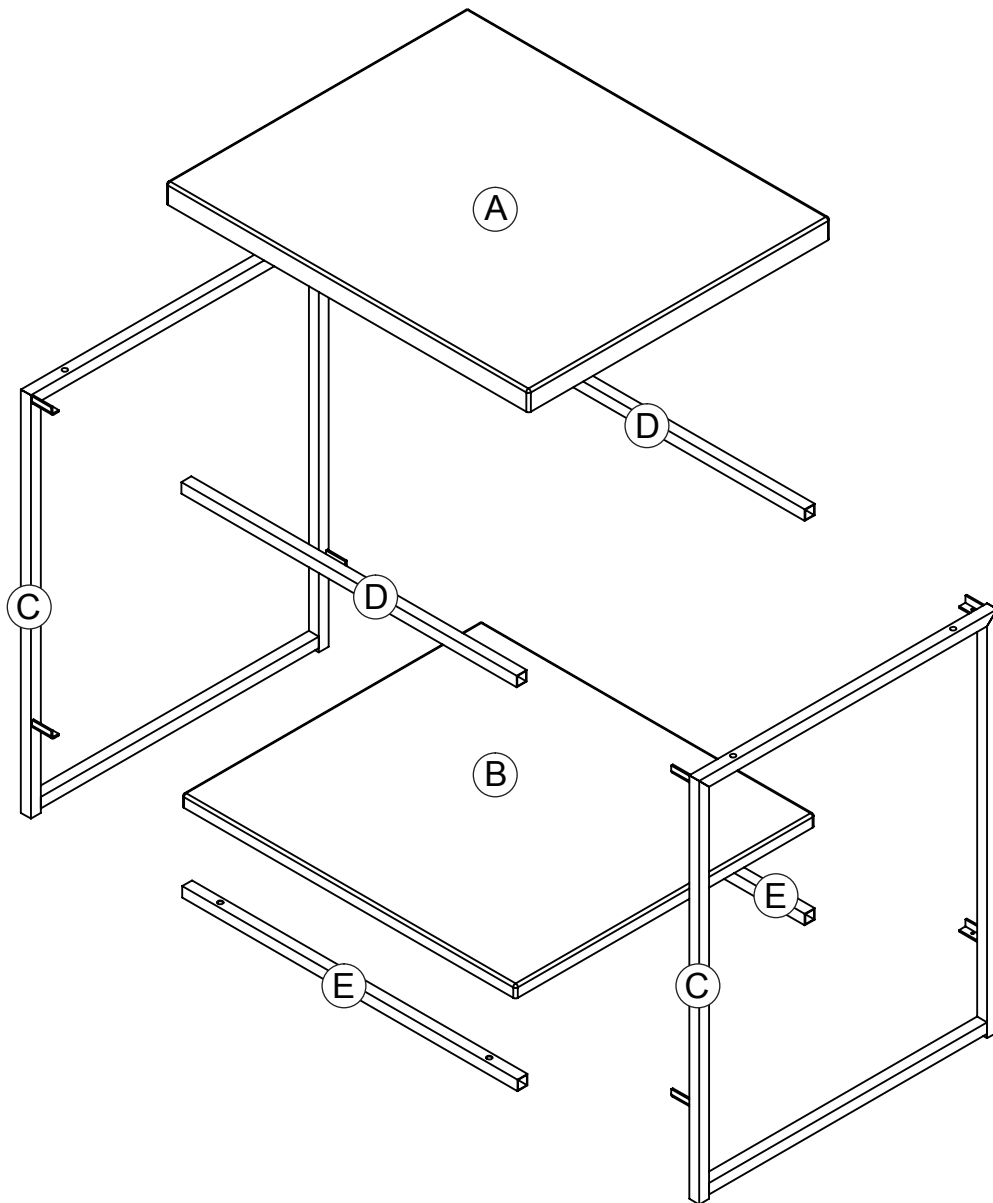
ADULT ASSEMBLY REQUIRED

**THE PRODUCT MAY RECOMMENDED
ASSEMBLING BY MORE THAN ONE
PERSON.**

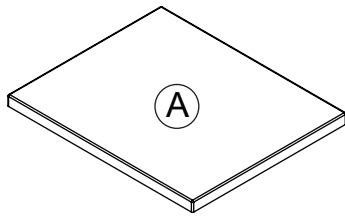
**PLEASE ASK FOR ASSISTANCE AT YOUR
CONVENIENCE BEFORE ASSEMBLING.**



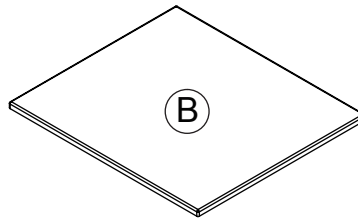
Parts Identification



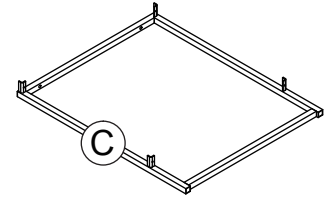
Parts Identification



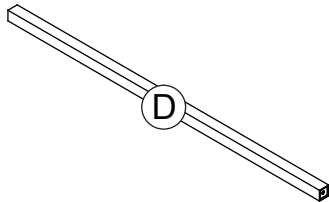
TOP PANEL



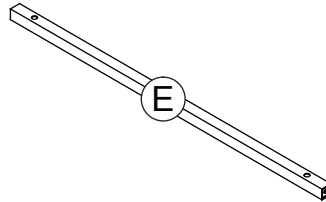
SHELF PANEL



SIDE END x 2

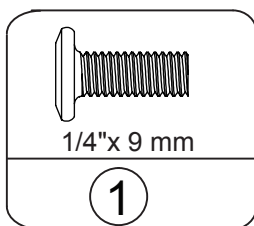


SUPPORT ROD x 2

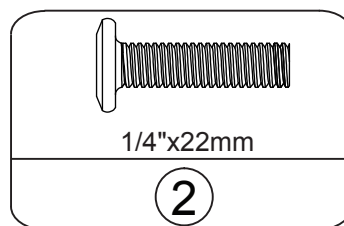


BOTTOM SUPPORT ROD x 2

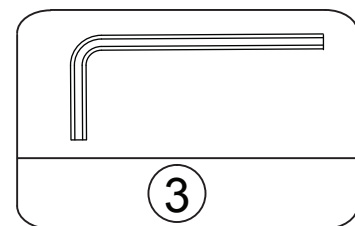
Hardware Identification



BOLT
QTY: 8+1 SPARE

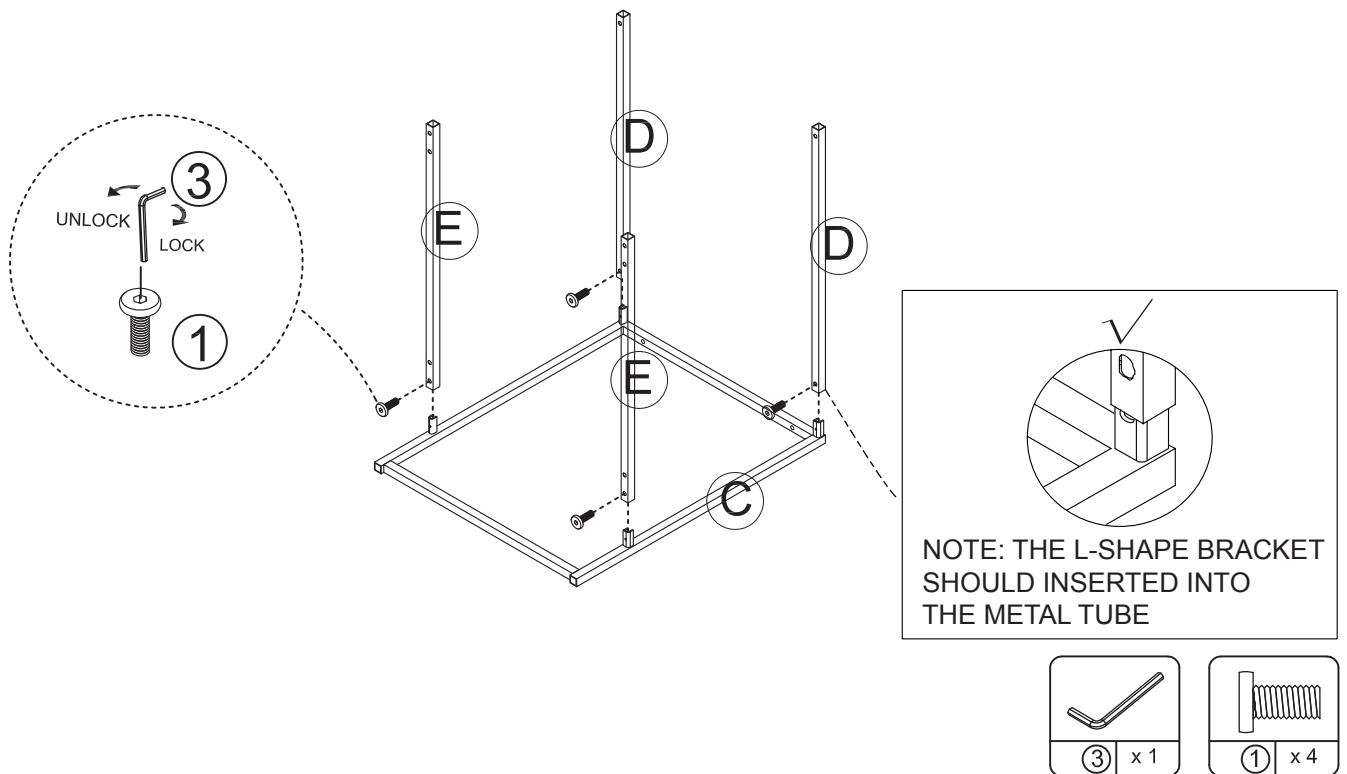


BOLT
QTY: 8+1 SPARE

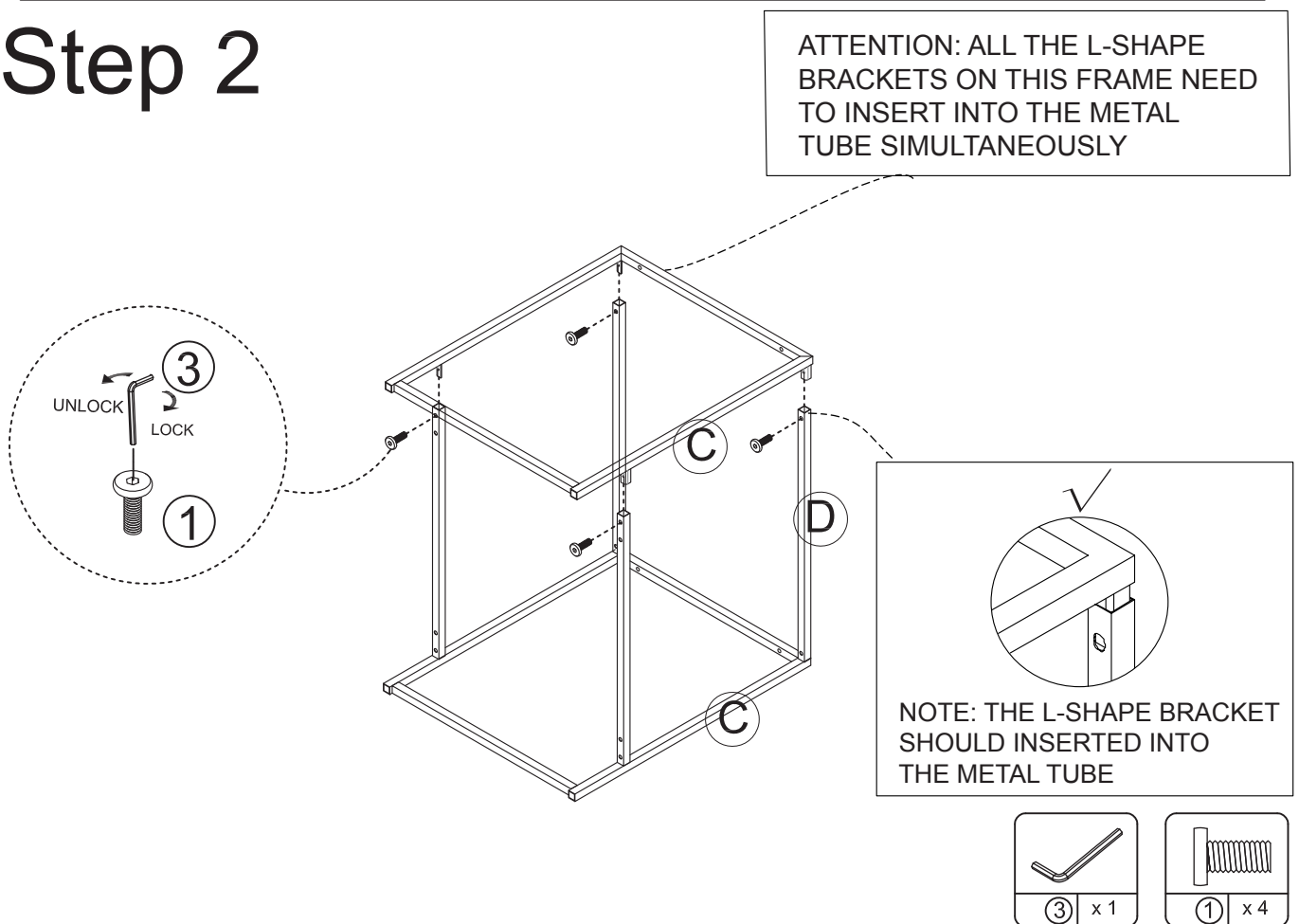


WRENCH
QTY: 1

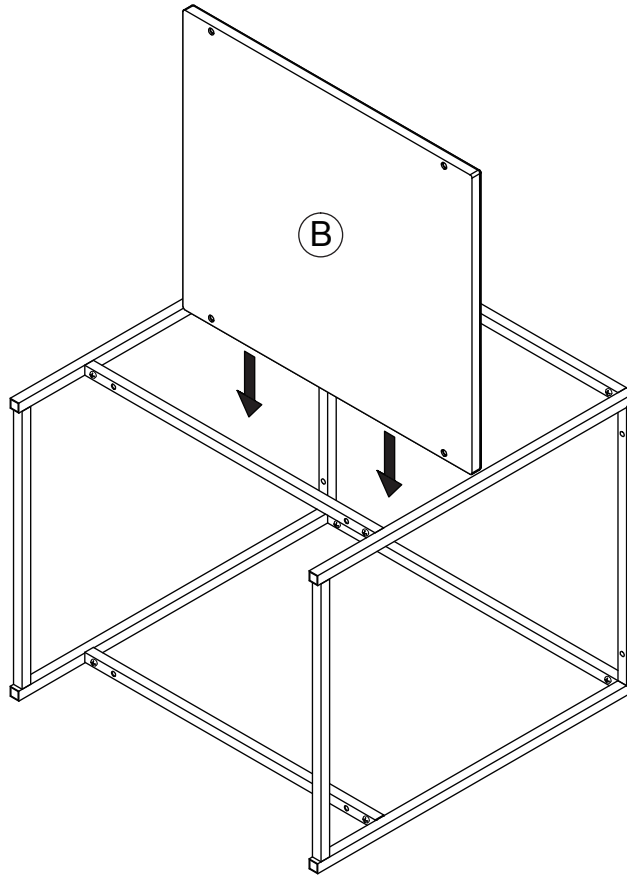
Step 1



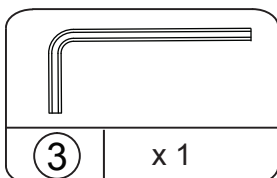
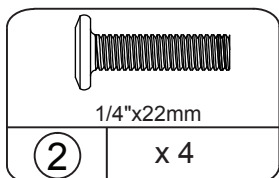
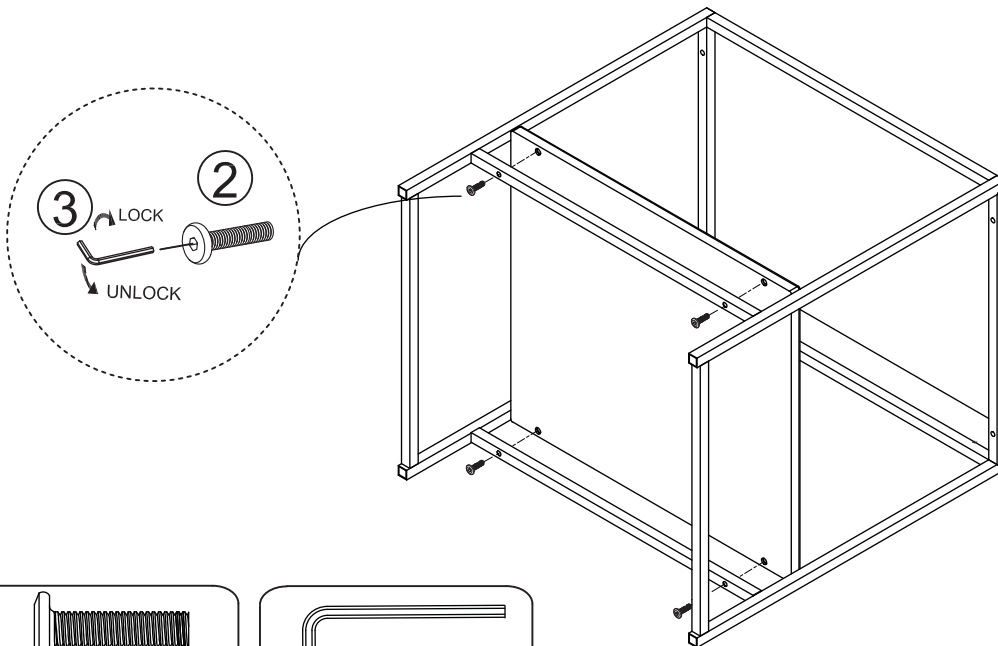
Step 2



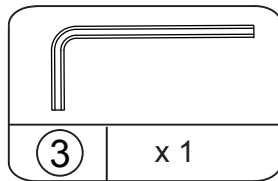
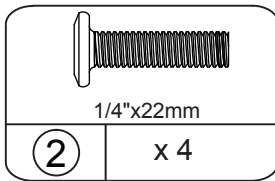
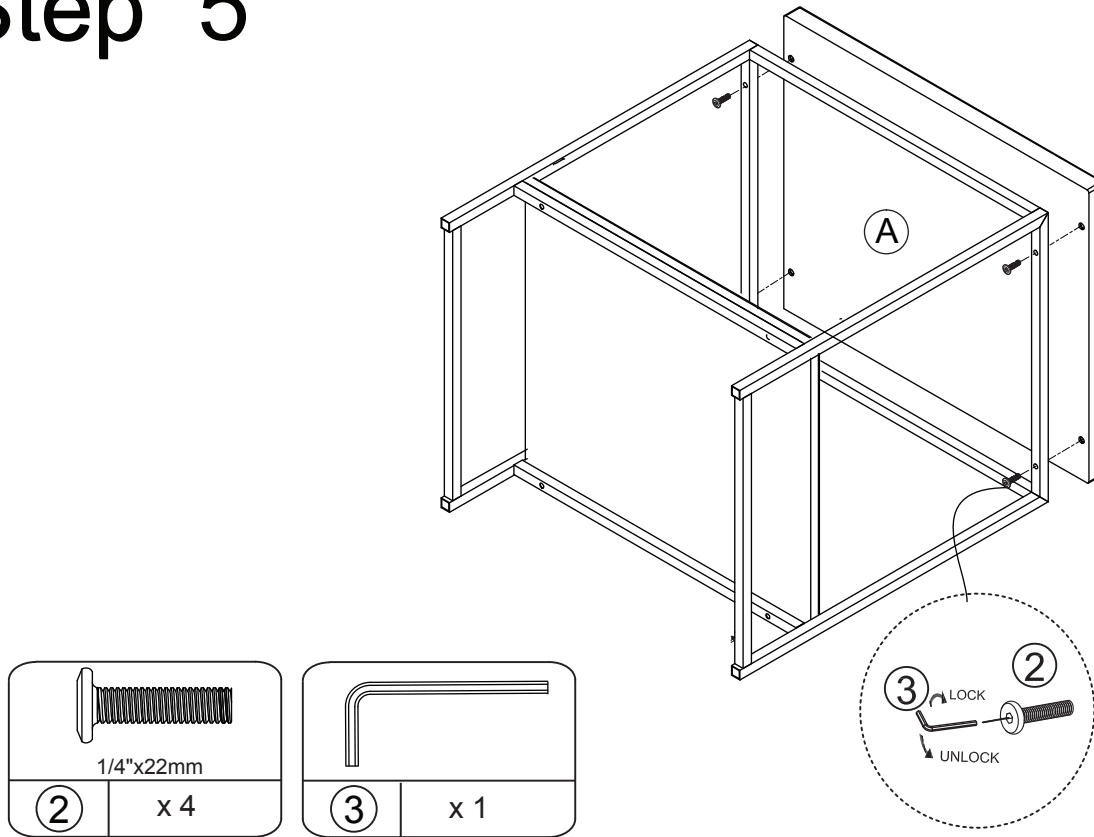
Step 3



Step 4



Step 5



Safety Maximum Loads

This unit has been designed to support the maximum loads shown. Exceeding these load limits could cause sagging, instability, product collapse, and/or serious injury.

