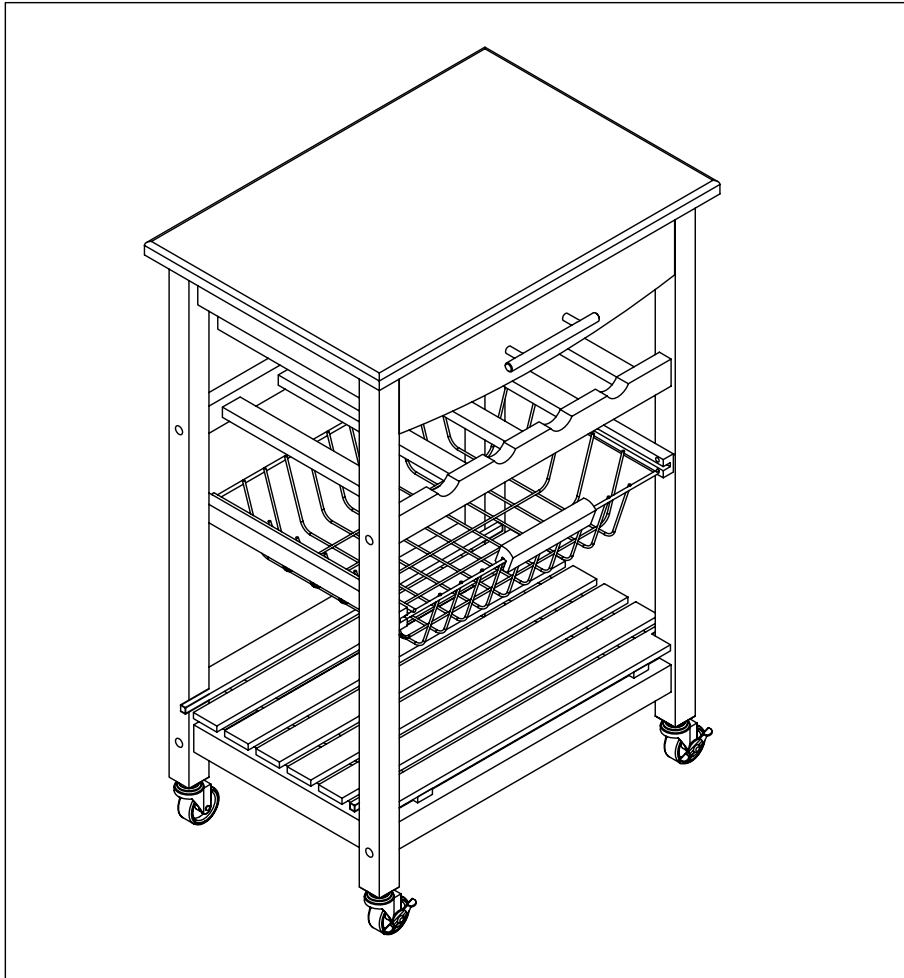


ASSEMBLY INSTRUCTIONS

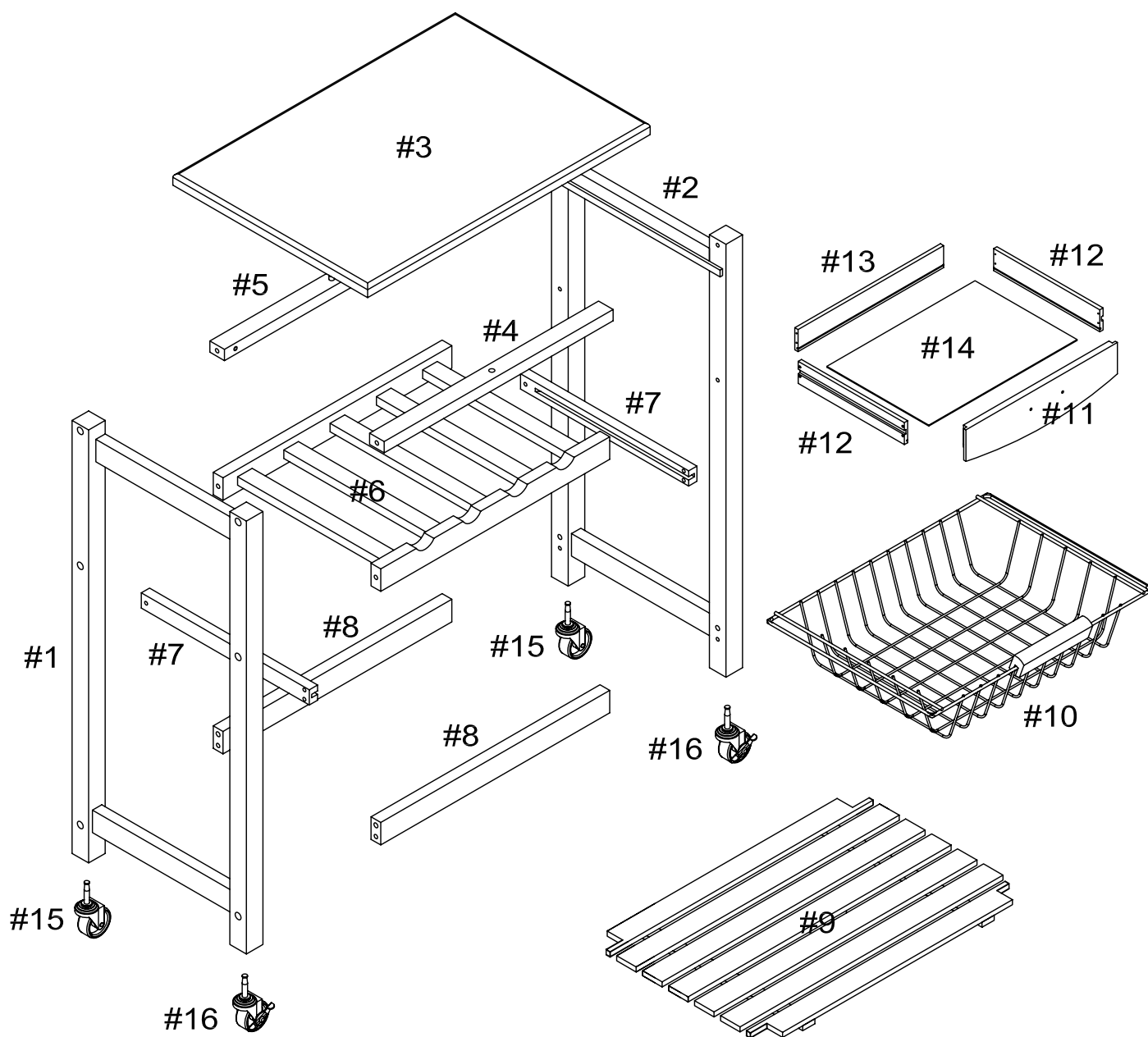
KITCHEN CART - WOOD



We are here to help!

MADE IN CHINA

PARTS IDENTIFICATION



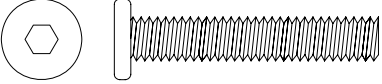
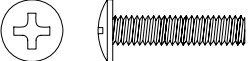

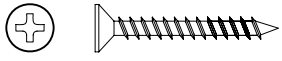

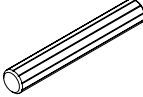
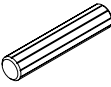

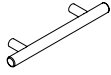


For ease of identification all parts are labeled to correspond to the Step number in which the part is used.

PARTS IDENTIFICATION

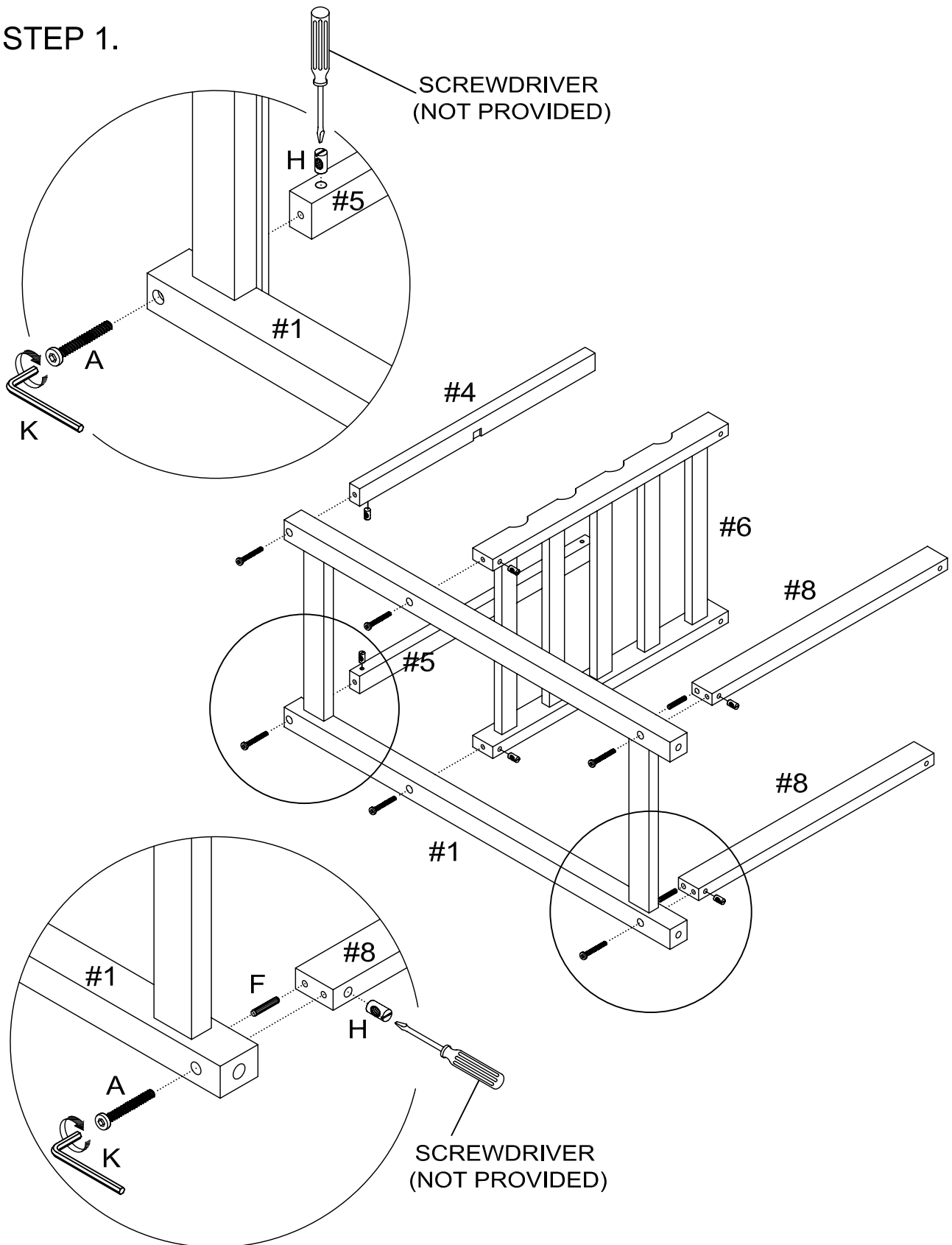
ITEM	DESCRIPTION	QTY
#1	LEFT FRAME	01
#2	RIGHT FRAME	01
#3	GRANITE TOP PANEL	01
#4	TOP FRONT RAIL	01
#5	TOP BACK RAIL	01
#6	WINE BOTTLE SUPPORT	01
#7	MIDDLE WOOD GLIDE	02
#8	BOTTOM RAIL	02
#9	BOTTOM PANEL	01
#10	WIRE RACK	01
#11	DRAWER FACE PANEL	01
#12	DRAWER SIDE PANEL	02
#13	DRAWER BACK PANEL	01
#14	DRAWER BOTTOM PANEL	01
#15	CASTER	02
#16	CASTER WITH BRAKE	02

HARDWARE IDENTIFICATION

Please line up the hardware with the correct full size image to make sure you are installing the hardware correctly.

ITEM	PICTURE	DESCRIPTION	QTY
A	 (Ø6mm x 50mm) Not to Scale	BOLT	12
B	 (Ø4mmx18mm) Full size	BOLT	02
C	 (Ø3.5mm x 25mm) Full size	SCREW	08
D	 (Ø3mm x 25mm) Full size	SCREW	06
E	 (Ø3mm x 12mm) Full size	SCREW	01
F	 Not to Scale	LONG WOODEN DOWEL	04
G	 Not to Scale	SHORT WOODEN DOWEL	02
H	 Not to Scale	NUT	12
I	 Not to Scale	HANDLE	01
J	 Not to Scale	PLASTIC DRAWER STOP	01
K	 Not to Scale	ALLEN WRENCH	01

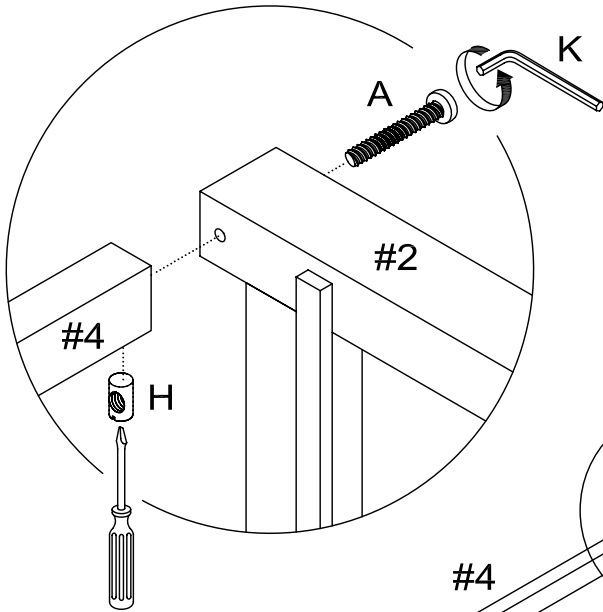
STEP 1.



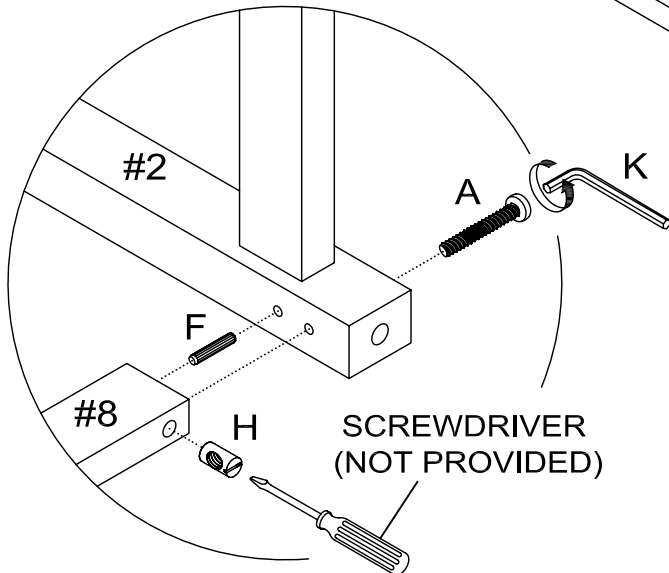
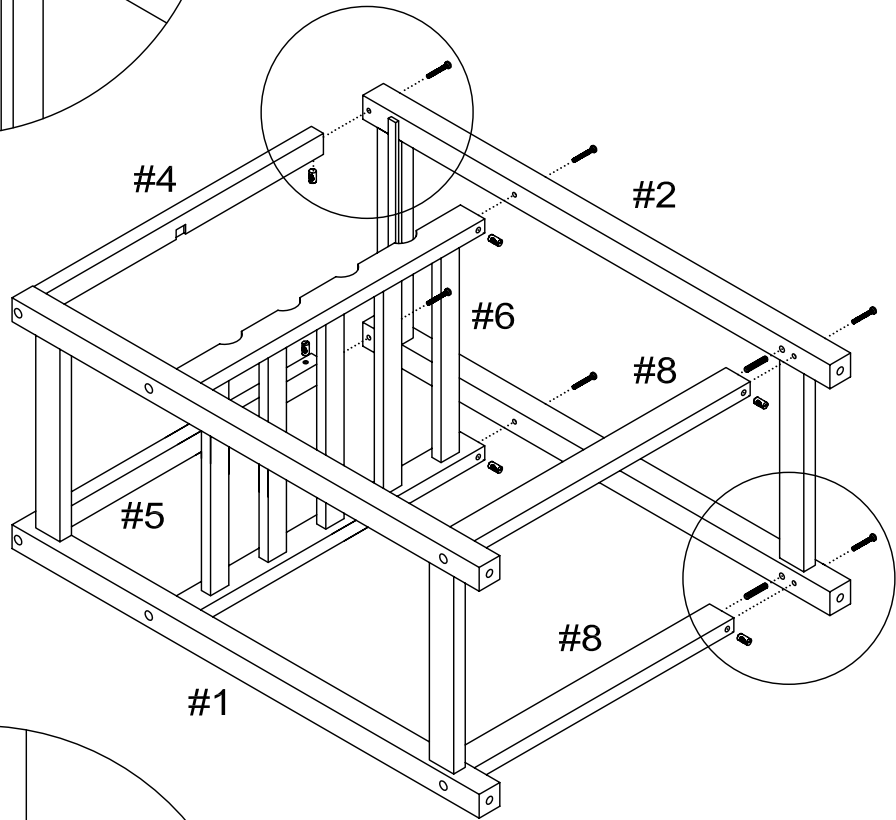
IMPORTANT:

1. DO NOT TIGHTEN BOLTS COMPLETELY UNTIL ALL BOLTS ARE COMPLETELY LINED UP AND INSERTED INTO HOLES / NUTS.
2. DO NOT OVER TIGHTEN SCREWS AND BOLTS TO AVOID STRIPPING.

STEP 2.

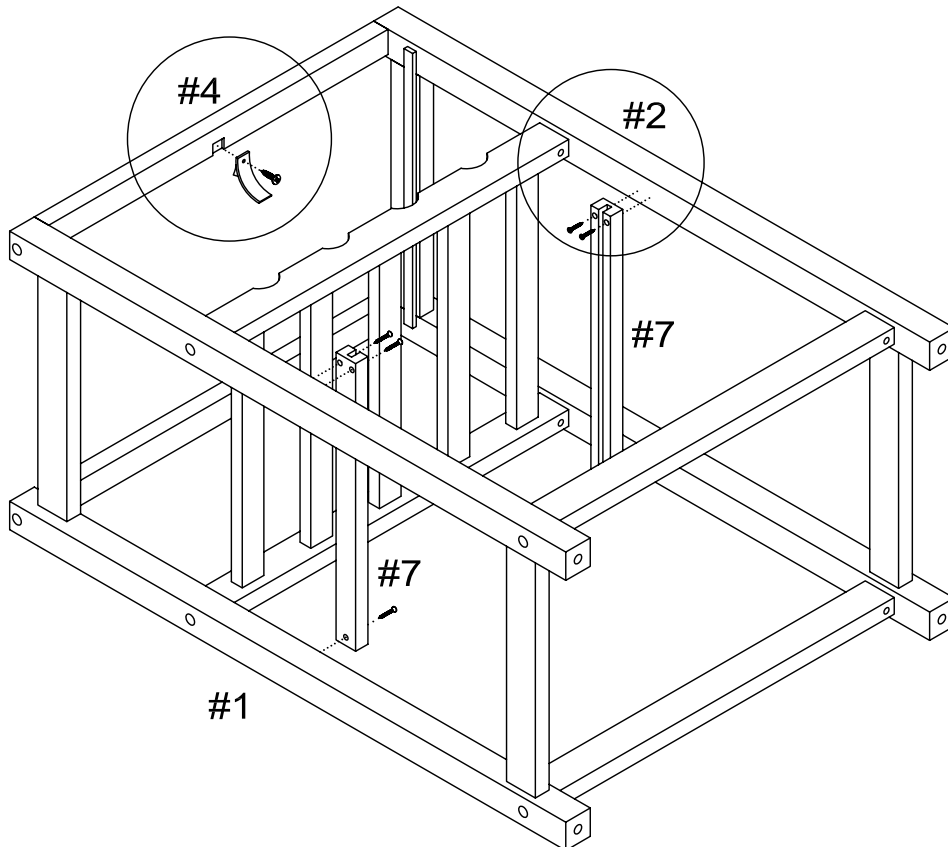
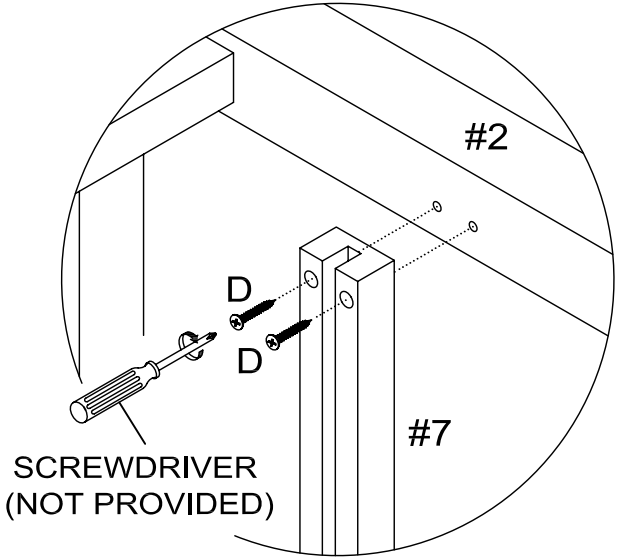
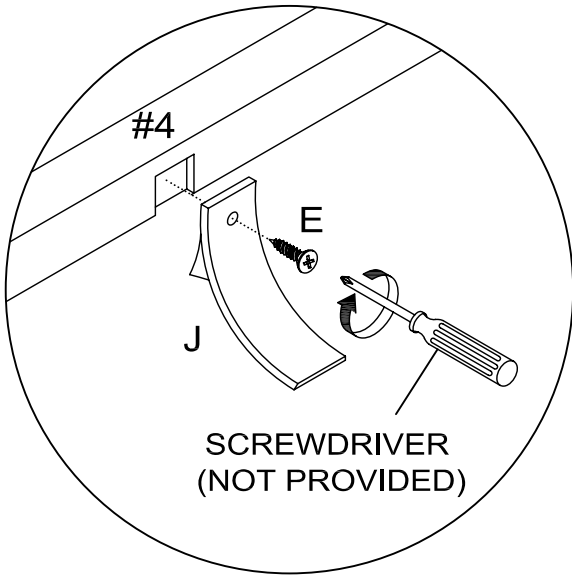


SCREWDRIVER
(NOT PROVIDED)

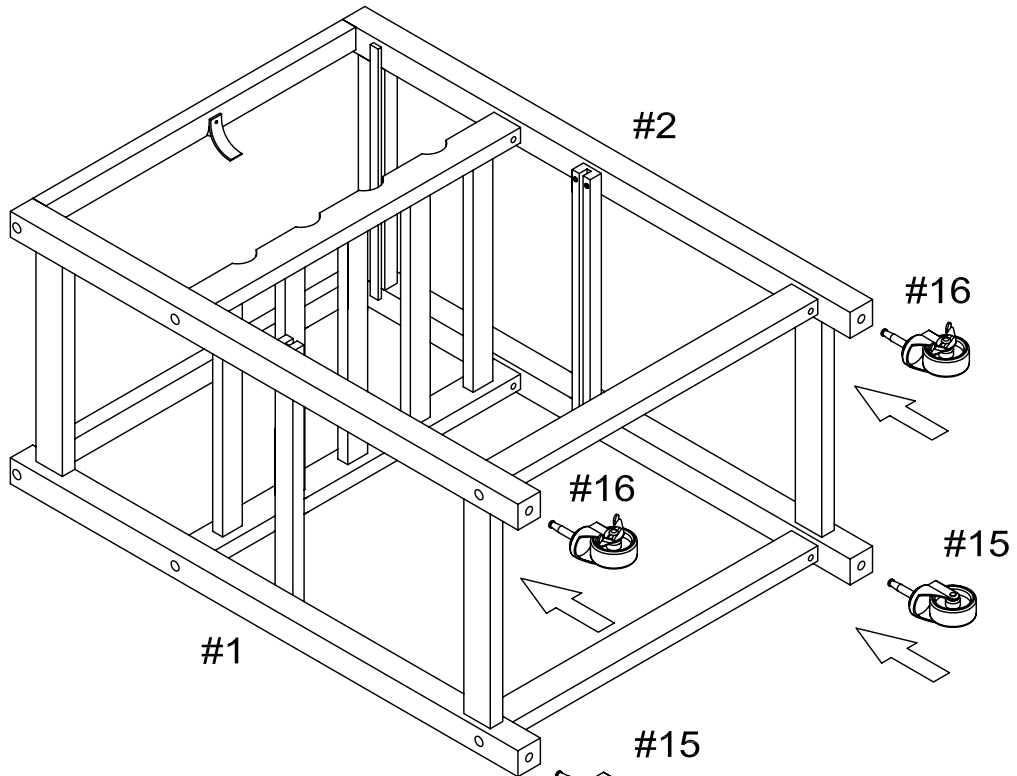


SCREWDRIVER
(NOT PROVIDED)

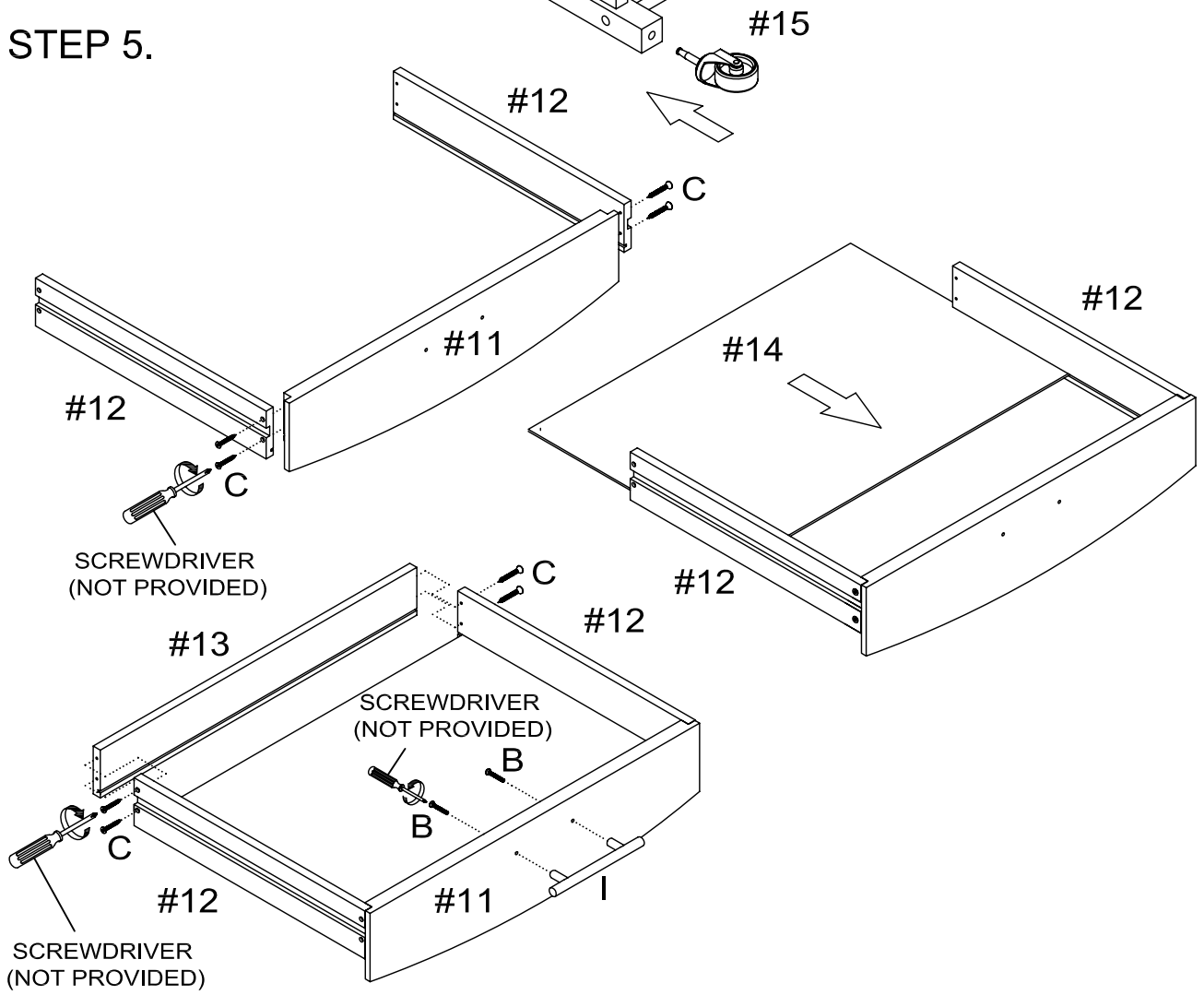
STEP 3.



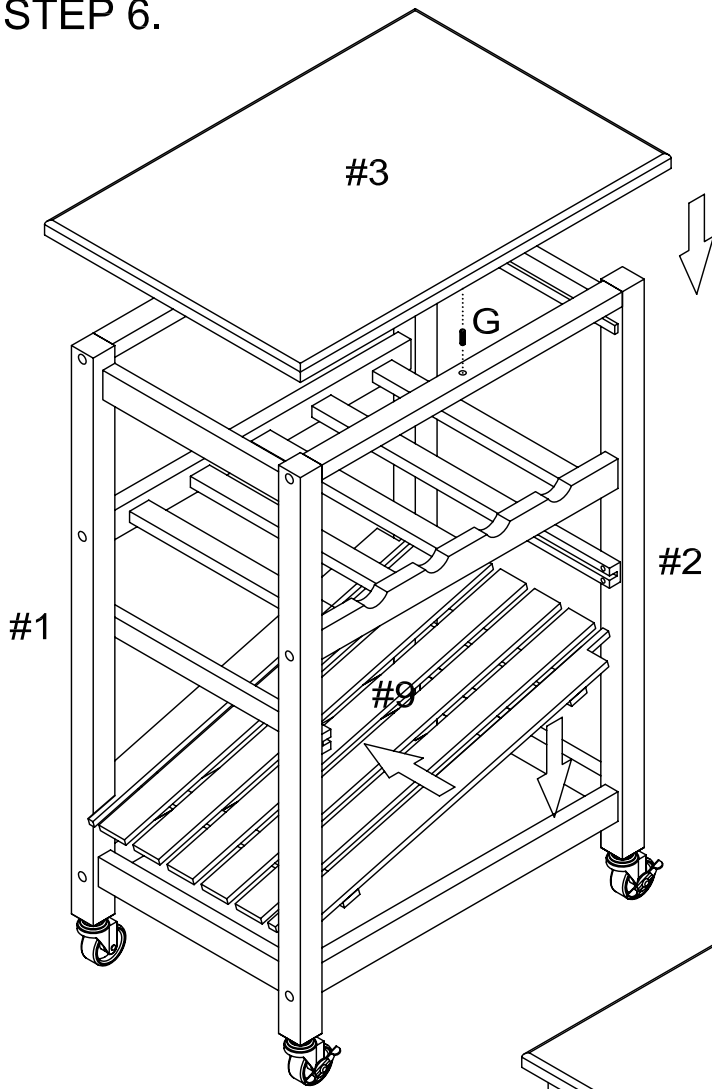
STEP 4.



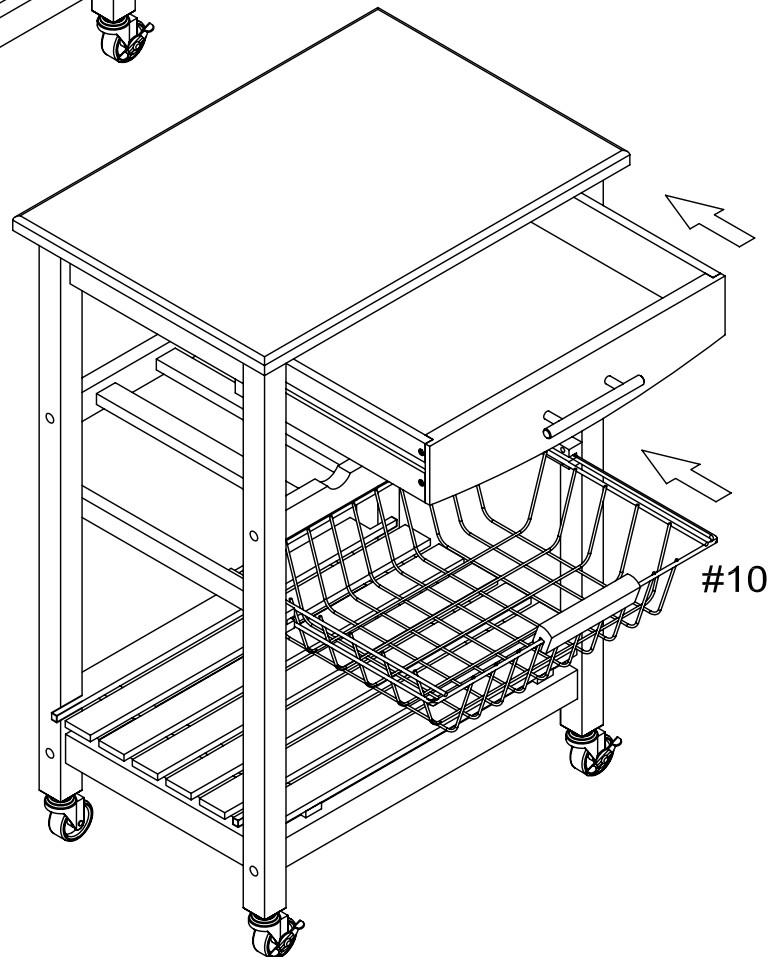
STEP 5.



STEP 6.



STEP 7.



WARRANTY