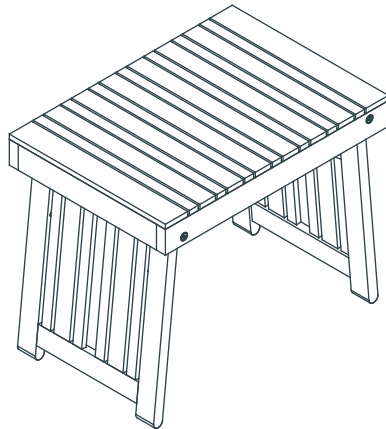


# Operating Instructions

Caution: You must read this before you proceed

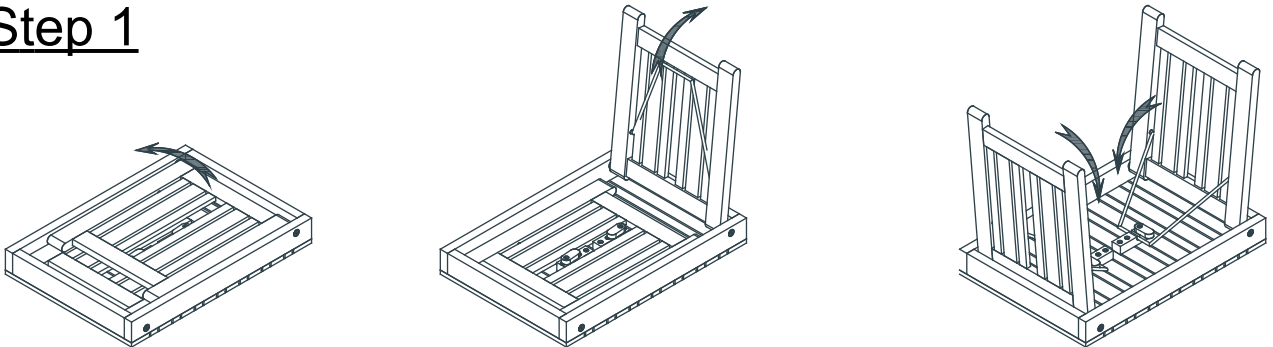
## Table



**Caution:** This Table is NOT a TOY.  
Keep your child/children at bay when opening or folding the Table.

## Operating Instructions

### Step 1

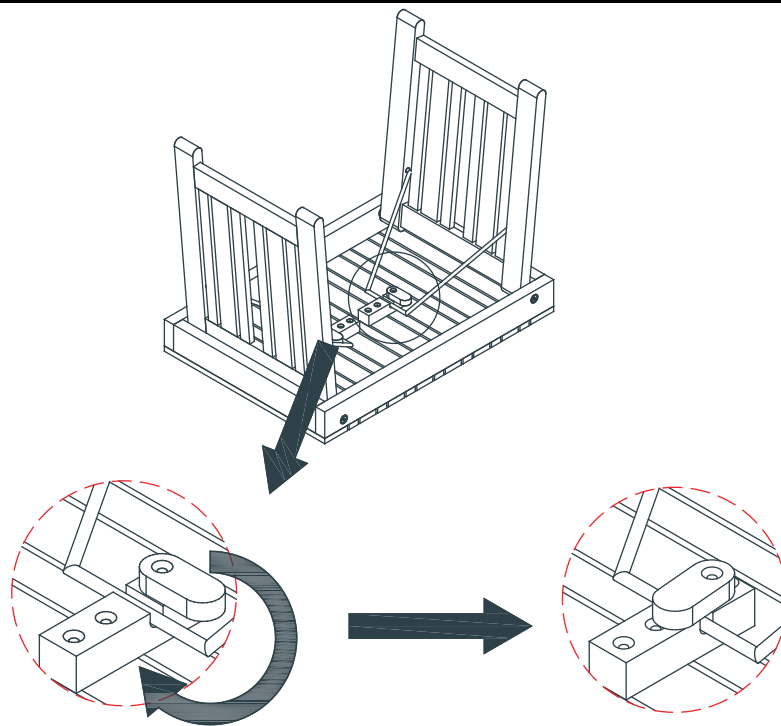


Place the Table facedown on a clean, non-marring surface.

### **To open:**

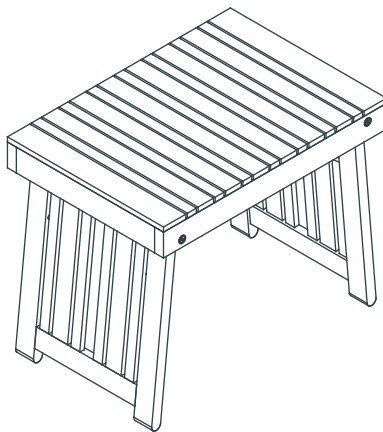
Lift the Leg Frame upward and outward by hand until the frame folds out, then pull Leg Supports into position as indicated by the arrows.

## Step 2



Rotate the Wooden Lock 90 degrees to lock Leg Supports into position.

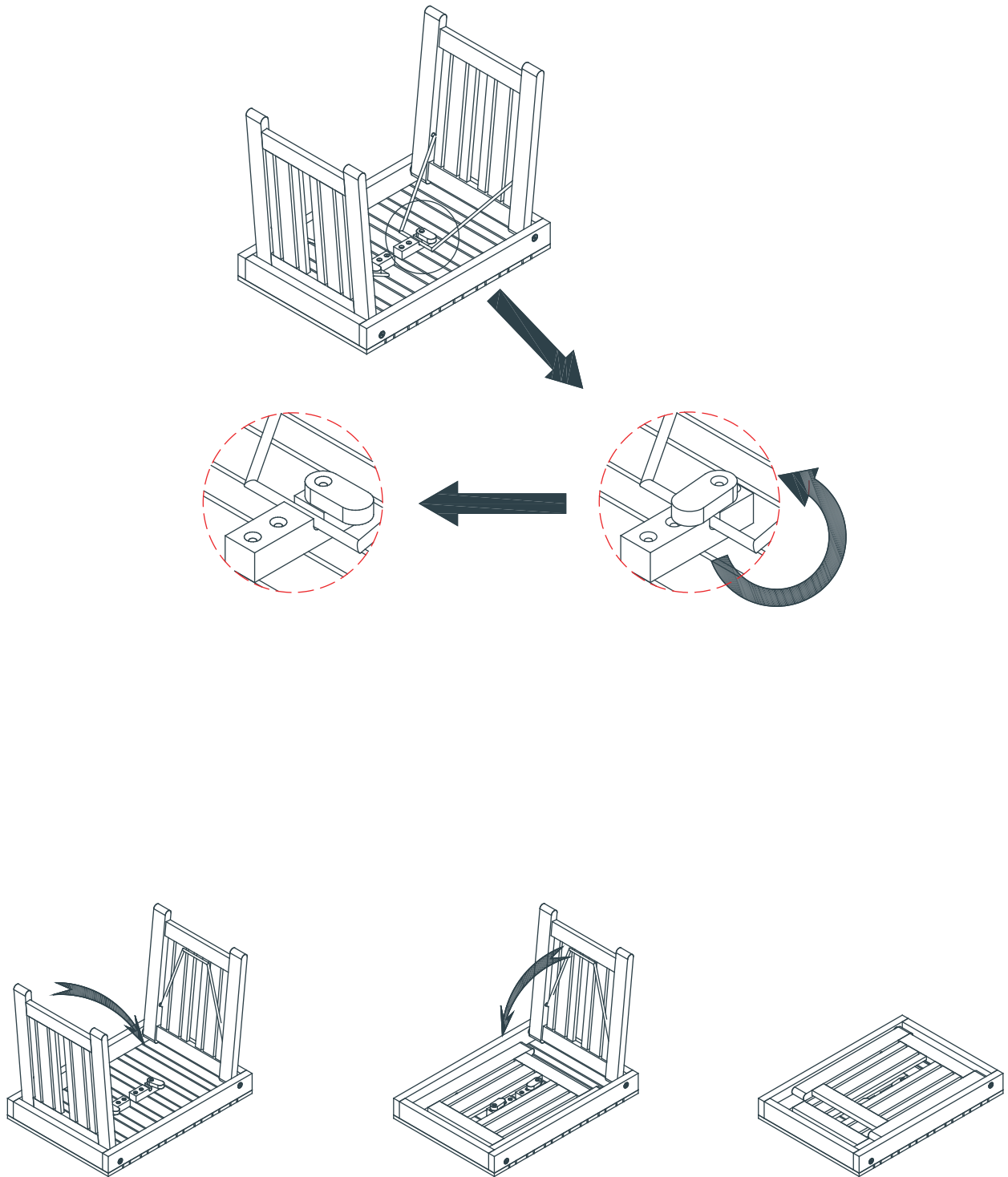
## Step 3



With the assistance of your adult partner, stand the Table up.  
Your Table is ready for use.

**This table can only be used on a flat, level surface.**



















## Step 4



### **To close:**

Place the table facedown . Unlock Wooden Locks by rotating 90 Degrees.  
Pull Leg Supports up and fold down the Legs.

## Care & Maintenance

-   ● Do not put hot items directly on furniture surface
  -   ● Do not clean furniture with harsh cleansers or polish.
  -   ● To obtain the longest lifespan of your outdoor products, minimizing exposure to direct sunlight is recommended.
  -   ● Children should not climb or jump on the furniture.
  -   ● Do not write on furniture without a padded barrier to protect the surface.
  -   ● To obtain the longest lifespan of your outdoor products, avoid extended and lengthy exposure to rain, snow, and direct sunshine. Whenever possible cover the product and /or place under patio or awnings.
  -   ● Not for commercial use. For residential use only .
  -   ● Stains may be removed with mild soap solution and damp cloth.
- 
-   ● Dust and pick-up spills using a clean, non-colored, lint-free cloth .