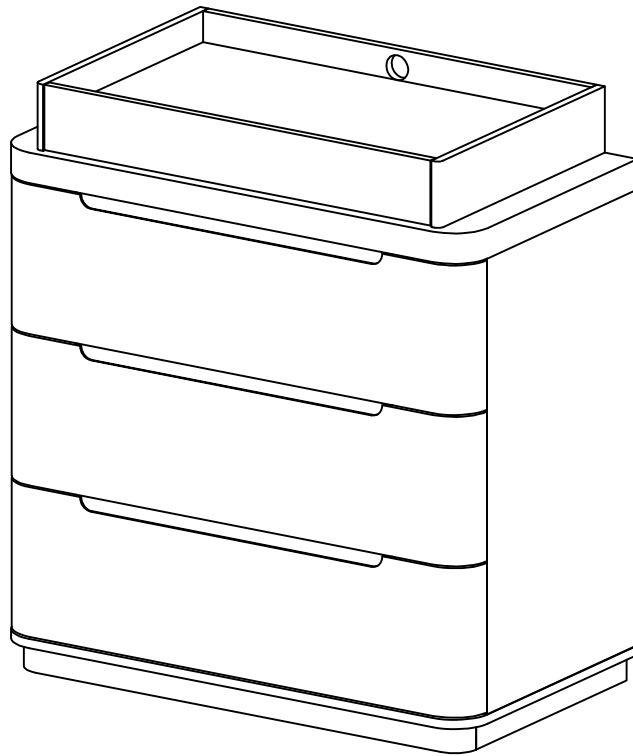


# Owner Manual



---

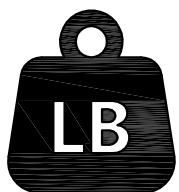
## NOTE:

This brochure contains IMPORTANT safety info. Please read and keep for future reference.

---

# MAINTENANCE AND WARNING

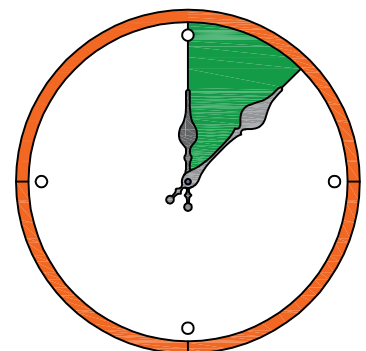
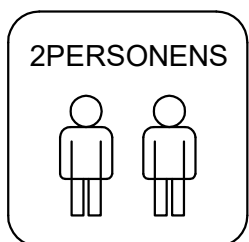
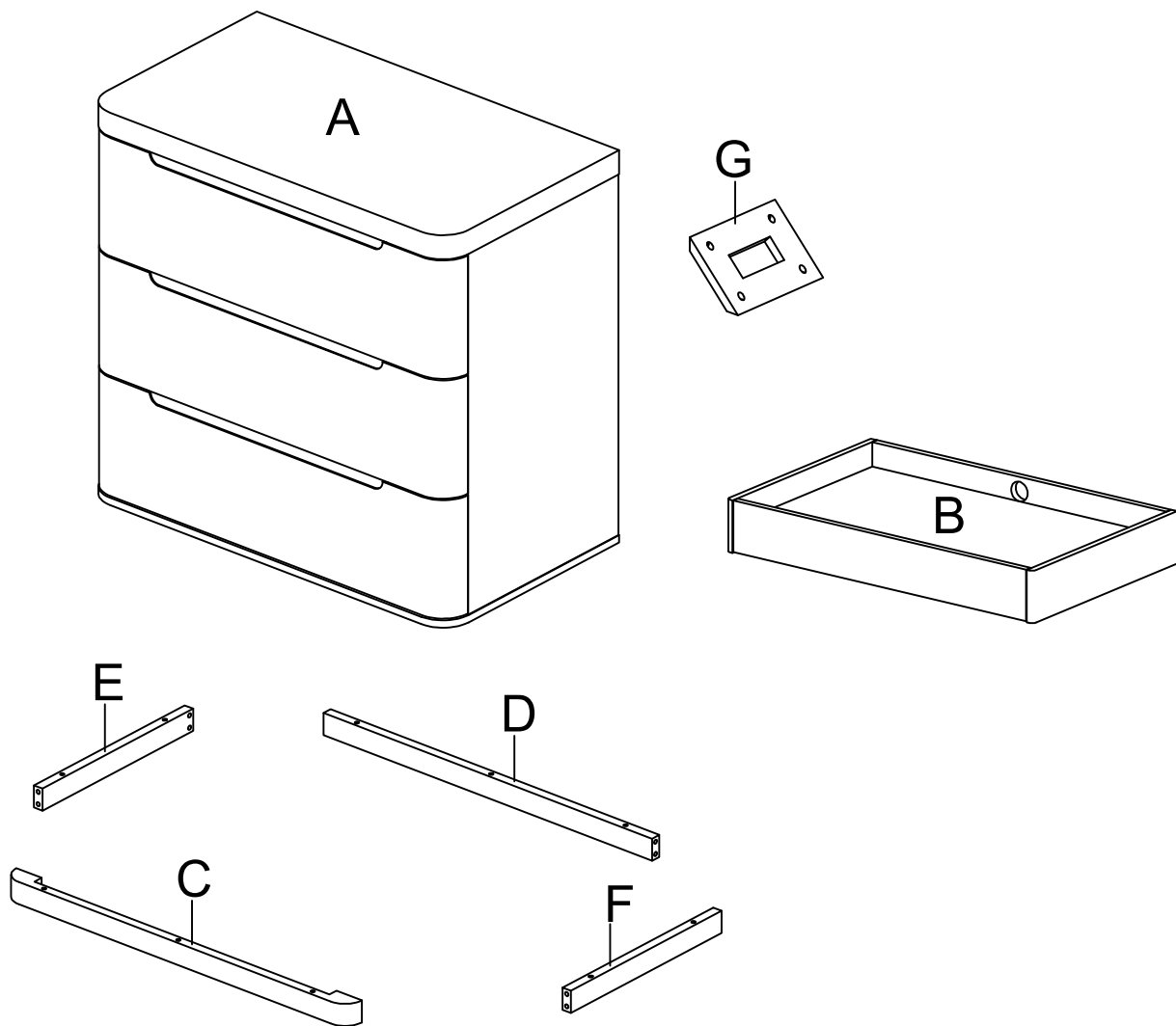
- 1.Keep furniture away from heat sources.
- 2.Do not clean furniture with harsh cleaner or polishes. Do not use detergents, solvents, abrasives, spray packs or leather cleaner. Use non-color mild soa with warm water to clean spills(Mix 1:10 soap to water).
- 3.Do not place furniture under direct sunlight, material will possibly fade over time.
- 4.Do not use on site dry cleaning machine. Children should not climb or jump on the furniture.
- 5.Do not write on furniture that is not protected by a padded barrier.
- 6.Not for commercial use, only for residential use.



Weight Limitation

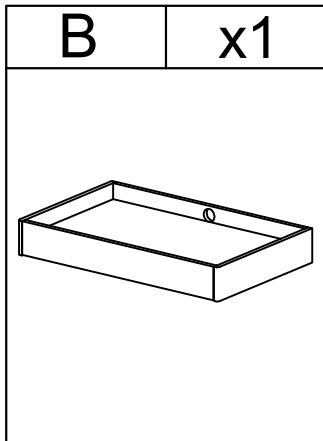
**100 LBS**

# EXPLOSIVE VIEW

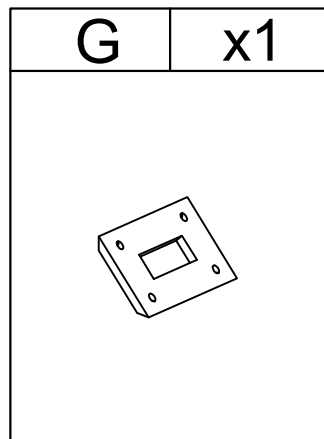
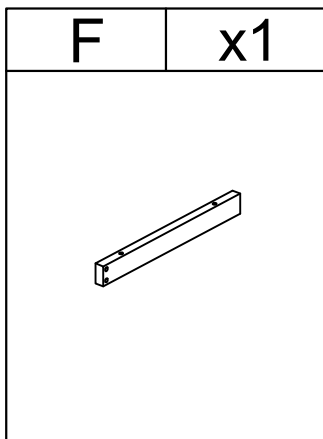
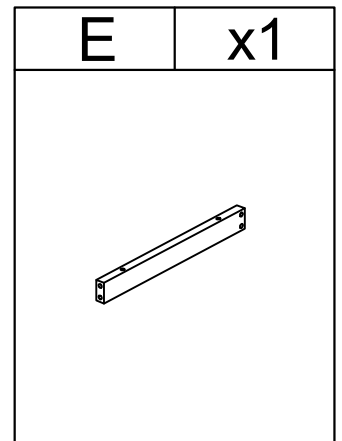
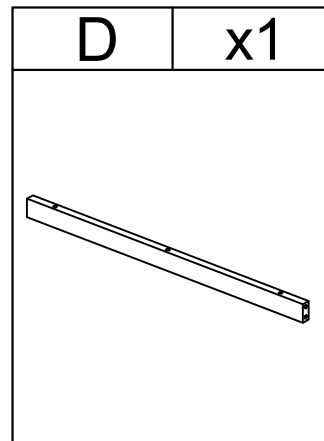
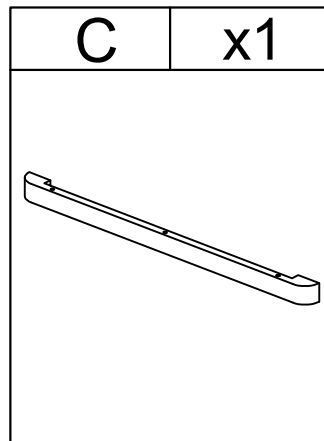
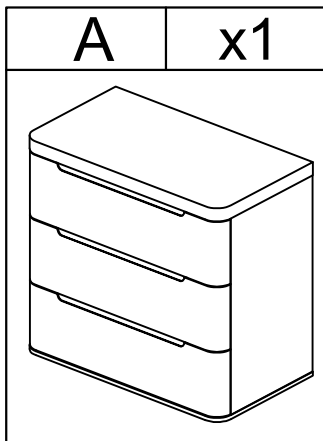


Around 30 min


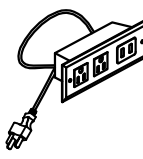






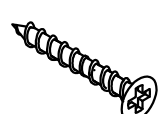

# PARTS LIST 1




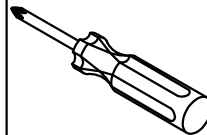
# PARTS LIST 1





# HARDWARE LIST

#1	x2		#2	x1		#5	x4		#6	x8		#7	x10		#8	x4	
Ø3*15MM						Ø4*25MM		Ø8*30MM		1/4*50MM							
#9	x4		#10	x2		#11	x4		#12	x4							
						Ø4*38MM		Ø3*20MM									

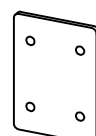

# TOOL LIST

#13	x1		#14	x1	
M4			Not including		

# HARDWARE SPARE LIST

#7	x1		#6	x1	
1/4*50MM			Ø8*30MM		

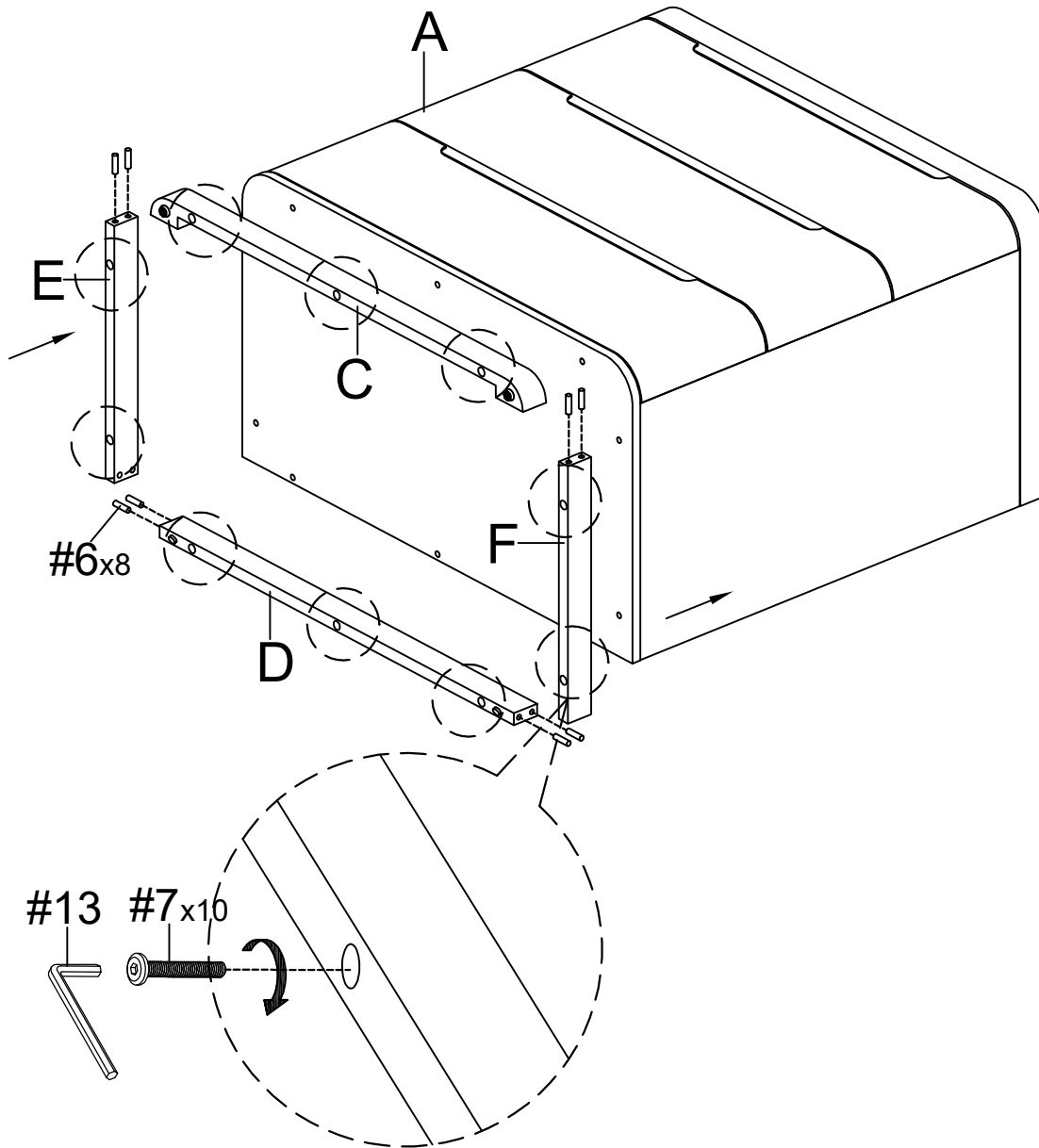
# HARDWARE LIST

#3	x2		#4	x8	
			Ø4*15MM		

# ASSEMBLY INSTRUCTIONS

## STEP-1

1. Insert part (C&D&E&F) into part (A), make sure all holes align aligned wood dowel #6, using bolt #7, then tighten the bolt with an Allen key #13.

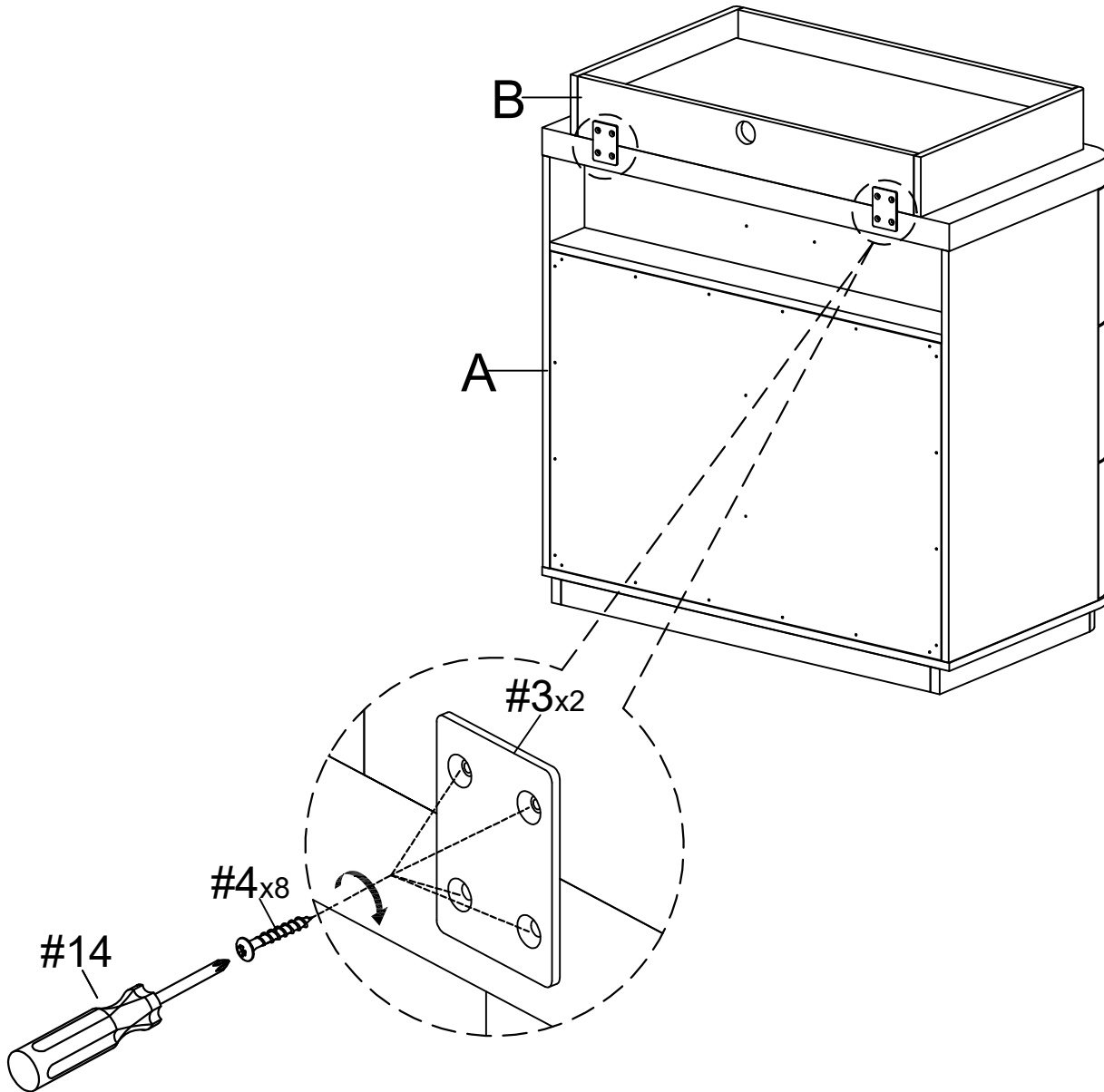


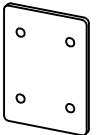

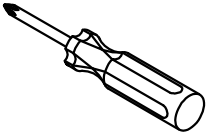
#6	x8	#7	x10	#13	x1
Ø8*30MM		1/4*50MM		M4	

# ASSEMBLY INSTRUCTIONS

## STEP-2

1. Insert part (A) into part (B), make sure all holes align aligned using metal panle #3 and screw #4, then tighten the screw with an with screwdriver #14.

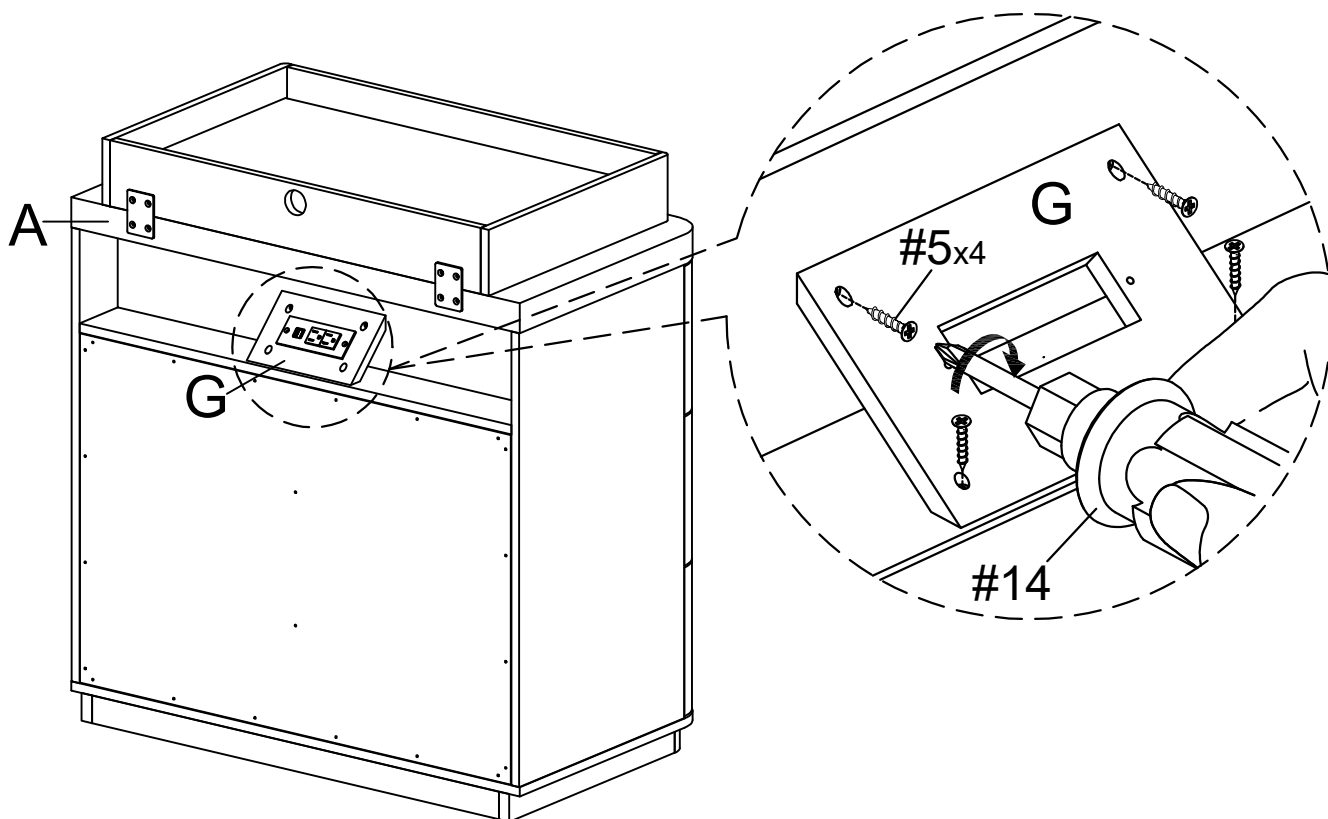


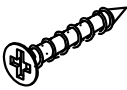
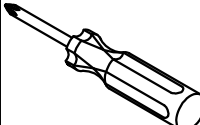
#3	x2	#4	x8	#14	x1
					
		Ø4*15MM		Not including	

# ASSEMBLY INSTRUCTIONS

## STEP-3

1. Insert part (G) into the preassembled step 2, make sure all holes aligned and use screw #5 to attach them, tighten screw #5 with screwdriver #14.

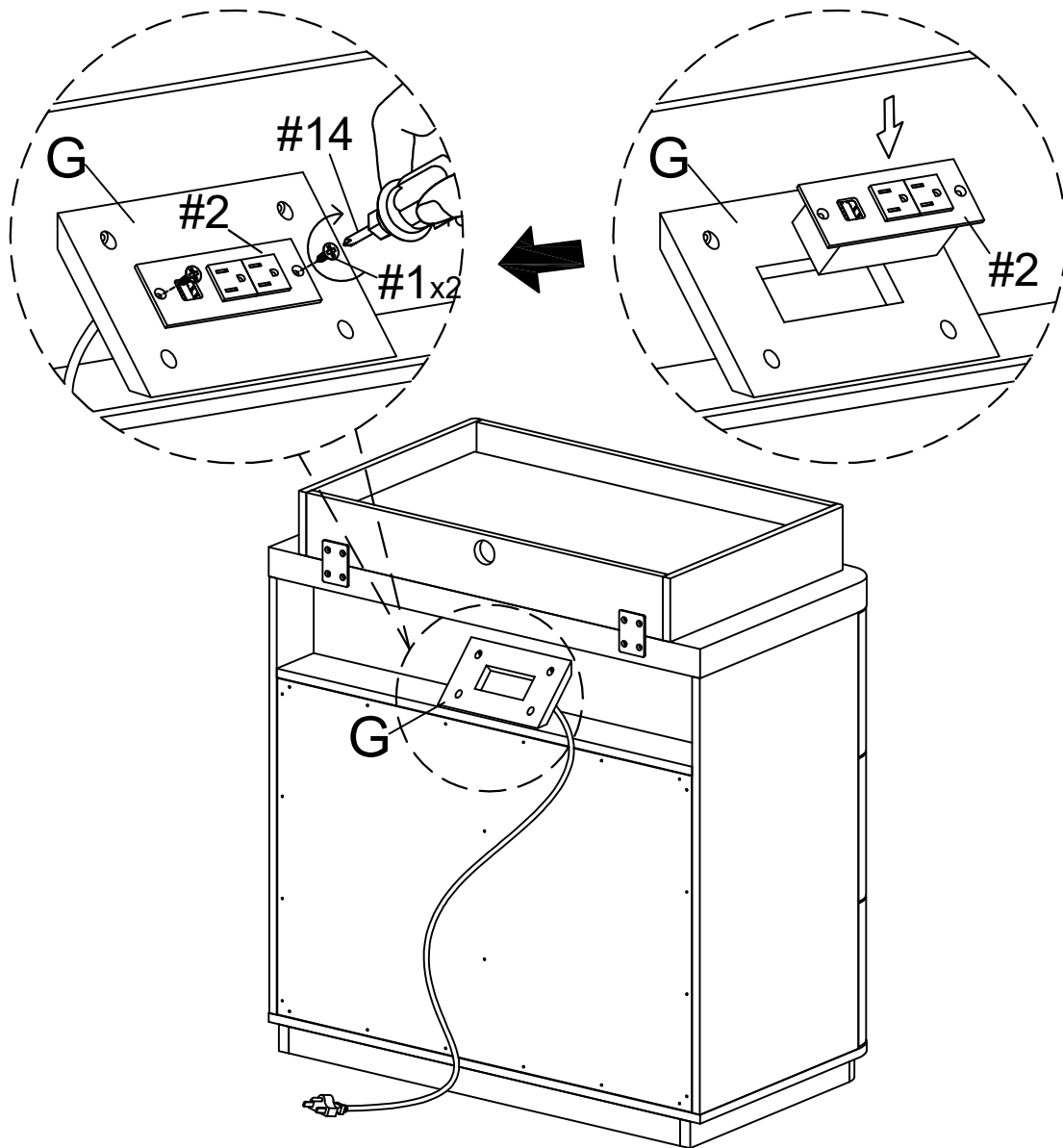



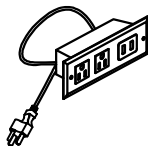
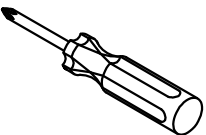
#5	x4	#14	x1
			
Ø4*25MM		Not including	

# ASSEMBLY INSTRUCTIONS

## STEP-4

1. Insert part #2 into the preassembled step 3, make sure all holes aligned and use screw #1 to attach them, tighten screw #1 with screwdriver #14.

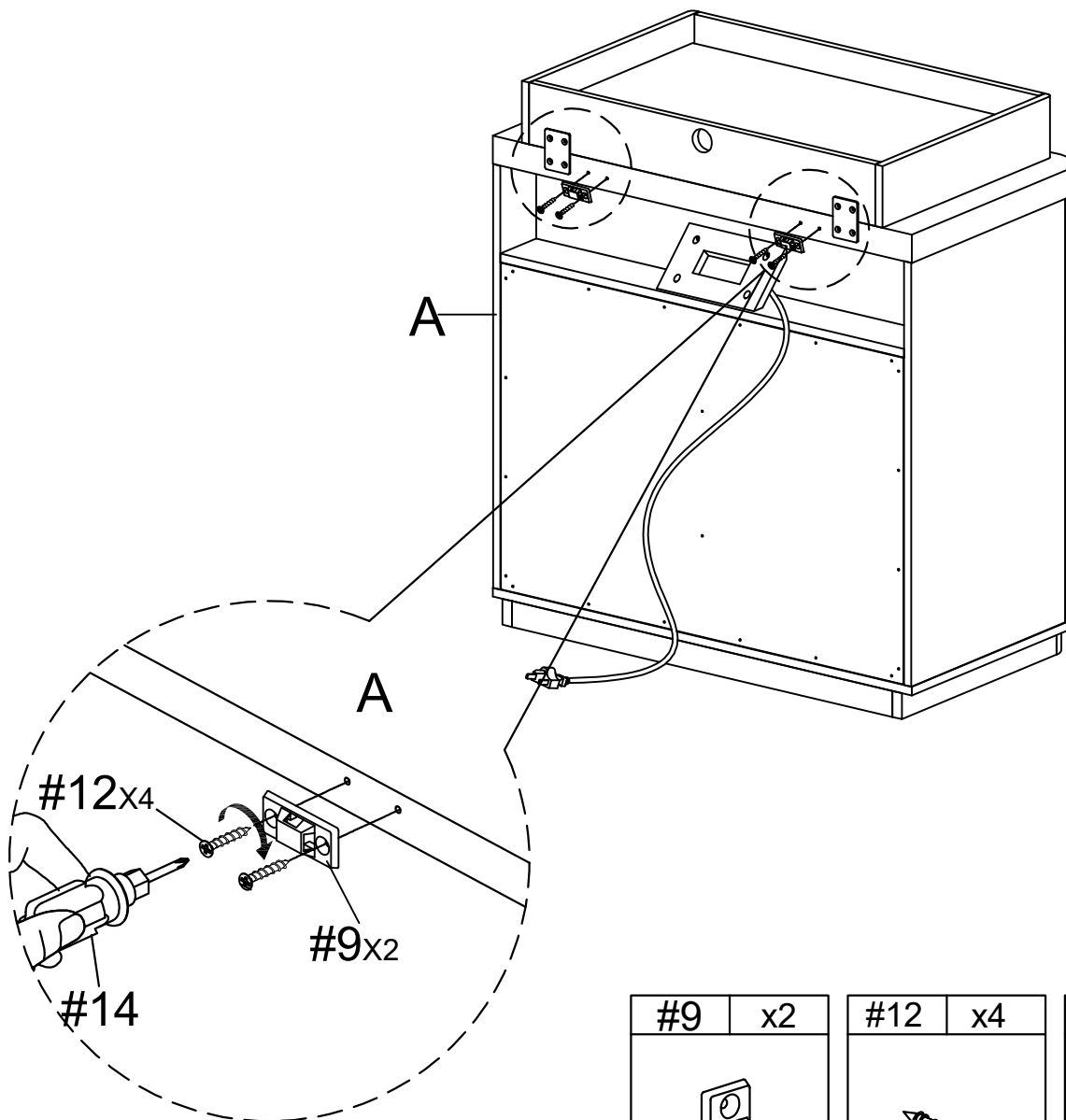




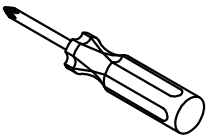
#1	x2	#2	x1	#14	x1
					
Ø3*15MM				Not including	

# ASSEMBLY INSTRUCTIONS

## STEP-5



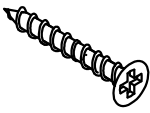
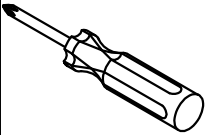
Use screw #12 to attach plastic bracket #9 to panel (A), make sure all holes aligned and tighten screw #12 with screwdriver #14.



#9	x2	#12	x4	#14	x1
					
		Ø3*20MM		Not including	

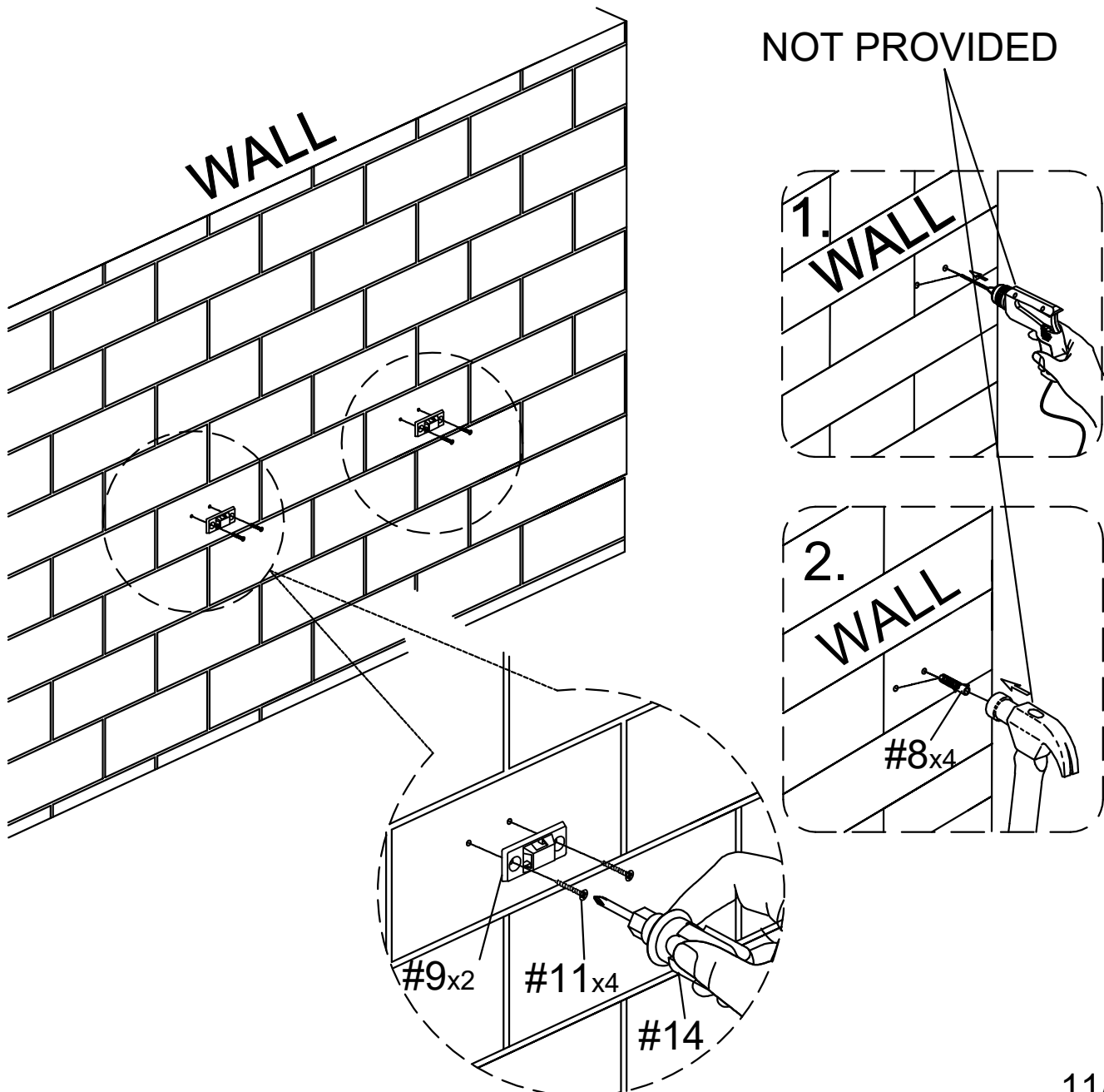
# ASSEMBLY INSTRUCTIONS

## STEP-6

#9	x2	#8	x4	#11	x4	#14	x1
							
				Ø4*38MM		Not including	

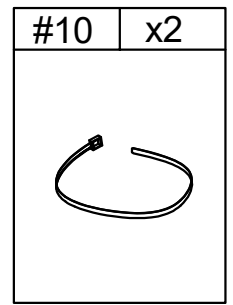
1. Mark the position on the wall, that corresponds to the location of bracket #9 on the panel A. Drill and insert the expandable screw #8 by hammer.

2. Assemble the bracket #9 to the wall. Align the hole in the bracket #9 with the expandable screw #8, use screw #11 to attach it, tighten screw #11 with screwdriver #14.

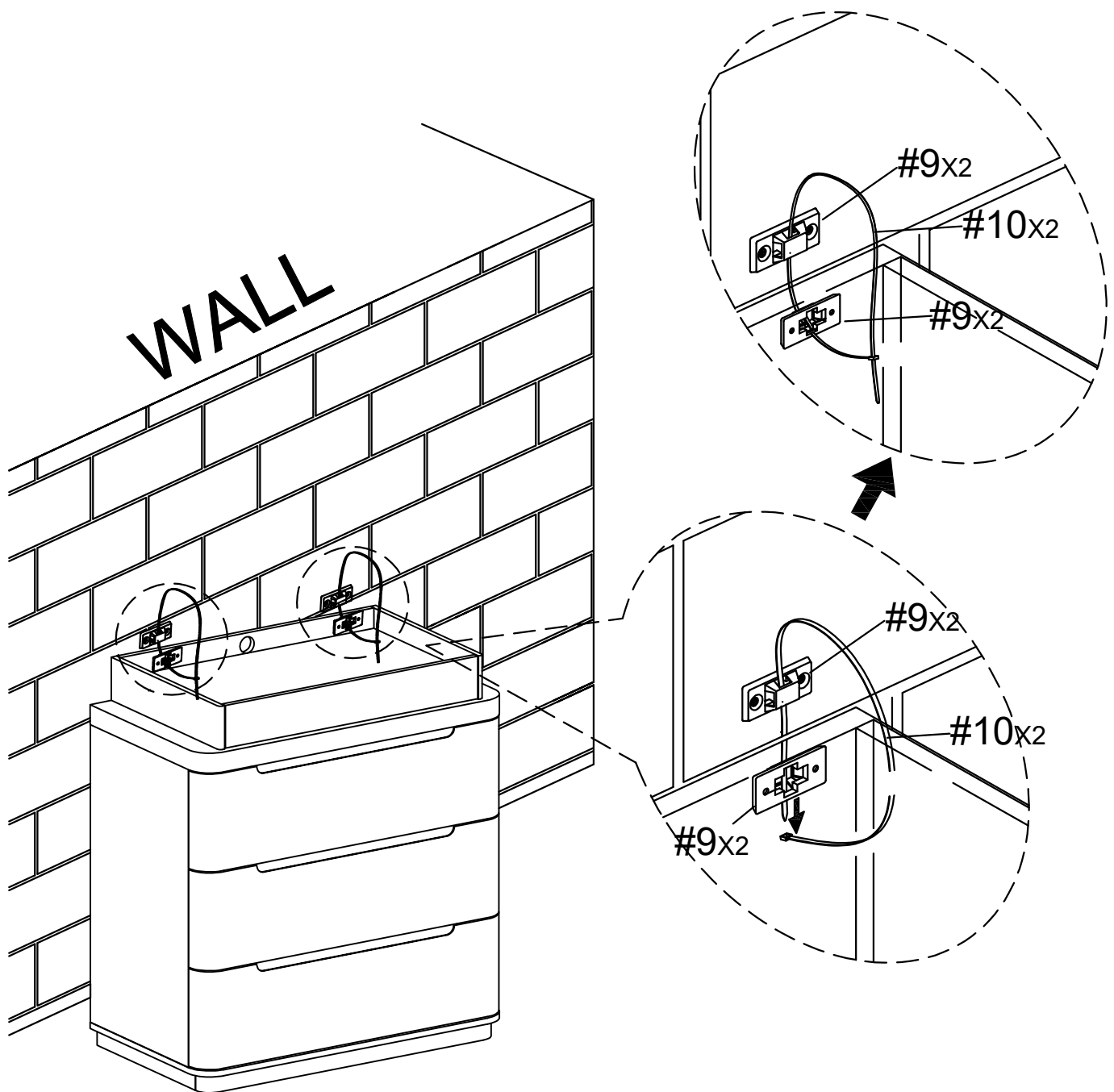


# ASSEMBLY INSTRUCTIONS

## STEP-7



3. Let the plastic belt #10 pass through bracket #9 and pull tightly.



# WARRANTY

1. We strive to offer high-quality products, and we also try our best to satisfy each and every customer that orders from us with product or service as needed.
2. We provide 30 days warranty starting from the time you receive the item. Each customer must provide a record of their order such as the order number, or item receipt for any items that are out of the warranty period you may also still receive.
3. Replacement parts by purchasing them with our company if they are available.

Appreciate your purchasing from us.  
Pop up your life by our furniture piece!