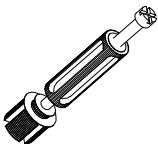
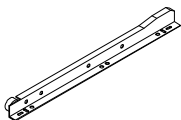

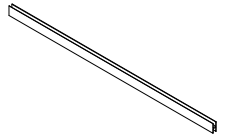

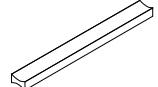

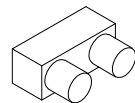
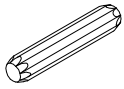

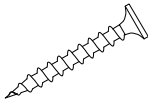
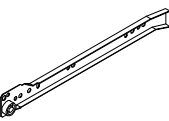
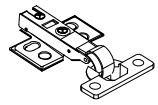
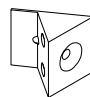
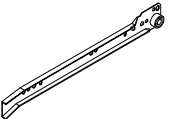
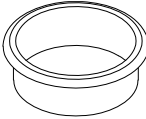

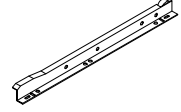
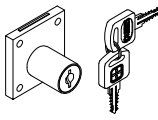

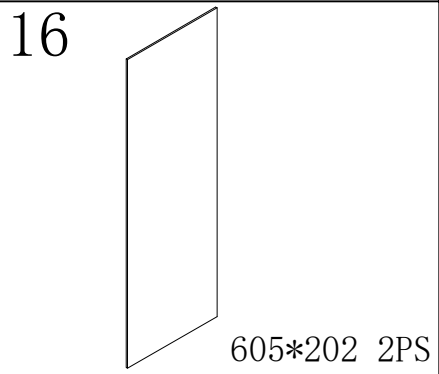
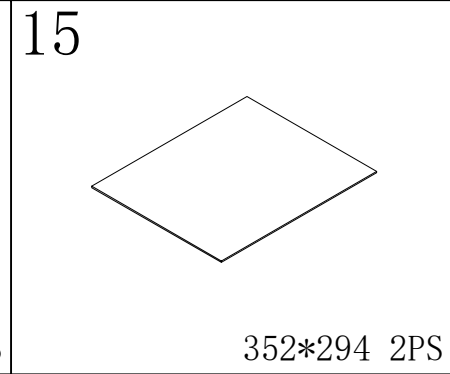
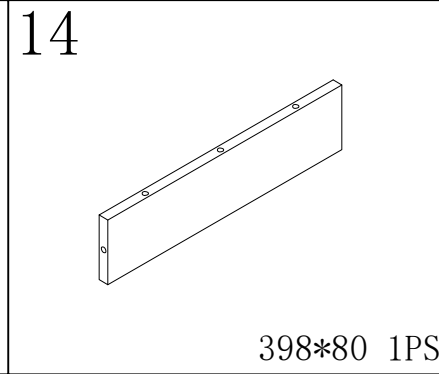
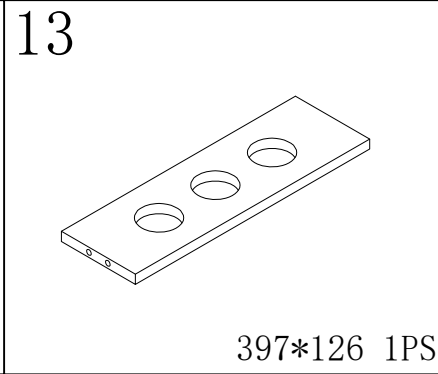
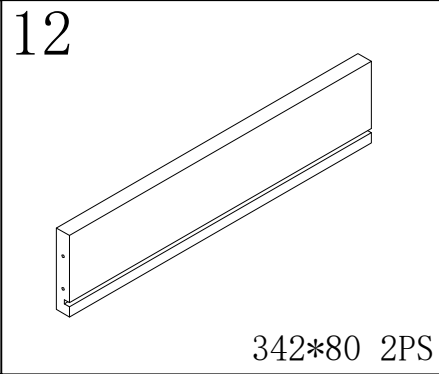
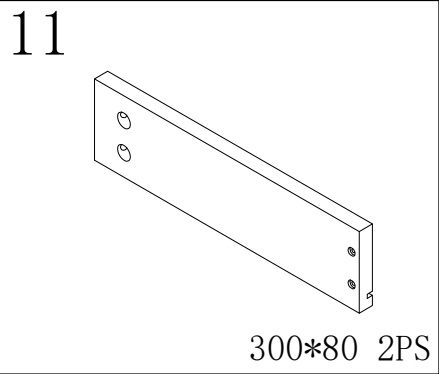
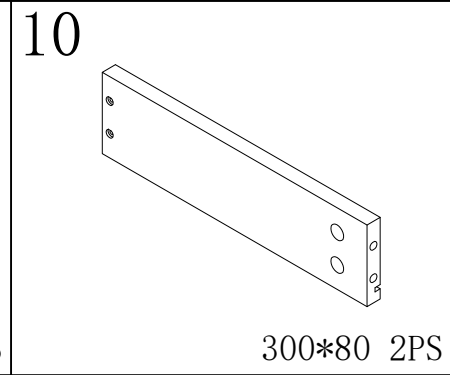
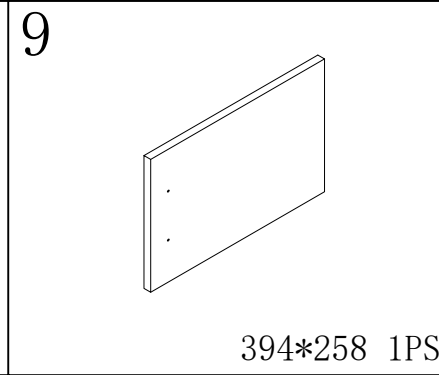
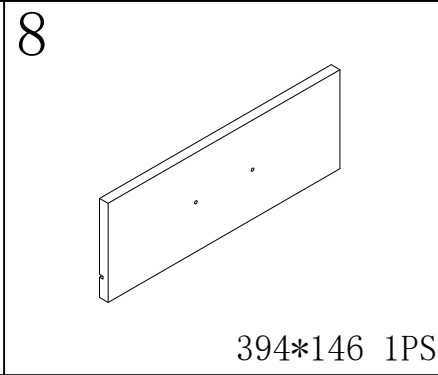
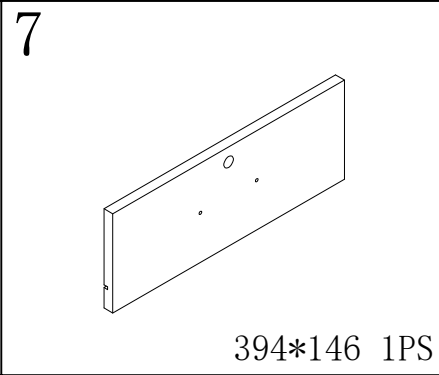
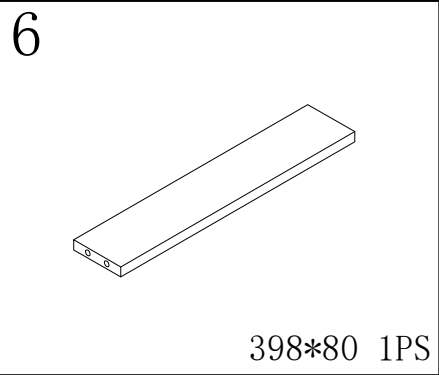
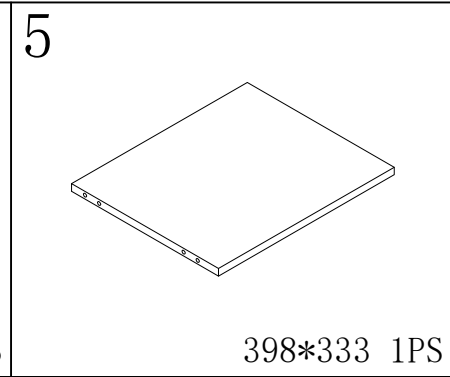
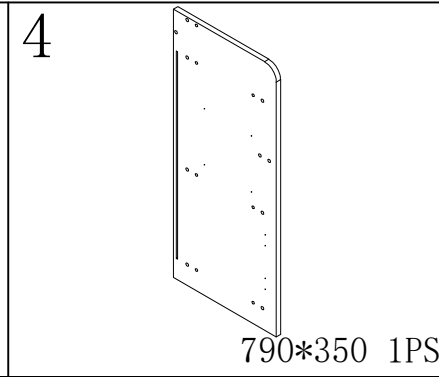
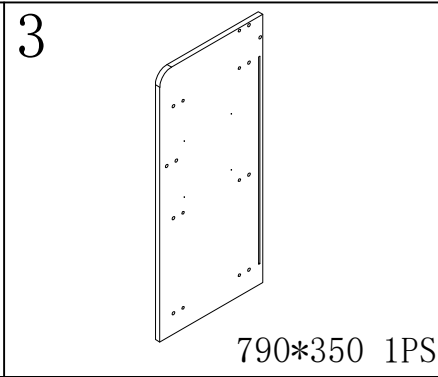
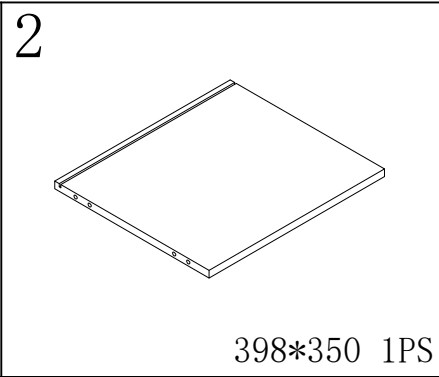
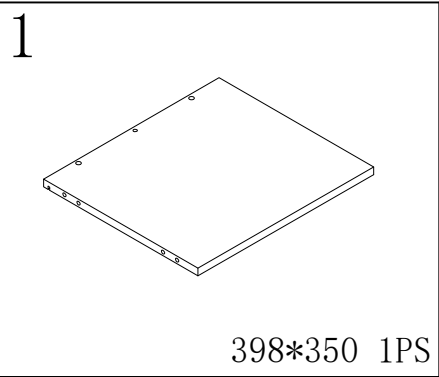


<p>A</p>  <p>32PCS</p>	<p>G 300MM</p>  <p>2PCS</p>	<p>M 3*12</p>  <p>10PCS</p>	<p>S 592MM</p>  <p>1PCS</p>
<p>B</p>  <p>32PCS</p>	<p>H 96MM</p>  <p>3PCS</p>	<p>N 3.5*14</p>  <p>48PCS</p>	<p>T</p>  <p>1PCS</p>
<p>C 8*40</p>  <p>16PCS</p>	<p>I 4*18</p>  <p>6PCS</p>	<p>O 3.5*35</p>  <p>8PCS</p>	
<p>D 300MM</p>  <p>2PCS</p>	<p>J</p>  <p>2PCS</p>	<p>P</p>  <p>10PCS</p>	
<p>E 300MM</p>  <p>2PCS</p>	<p>K ϕ 60</p>  <p>3PCS</p>	<p>Q</p>  <p>2PCS</p>	
<p>F 300MM</p>  <p>2PCS</p>	<p>L</p>  <p>1PCS</p>	<p>R</p>  <p>2PCS</p>	

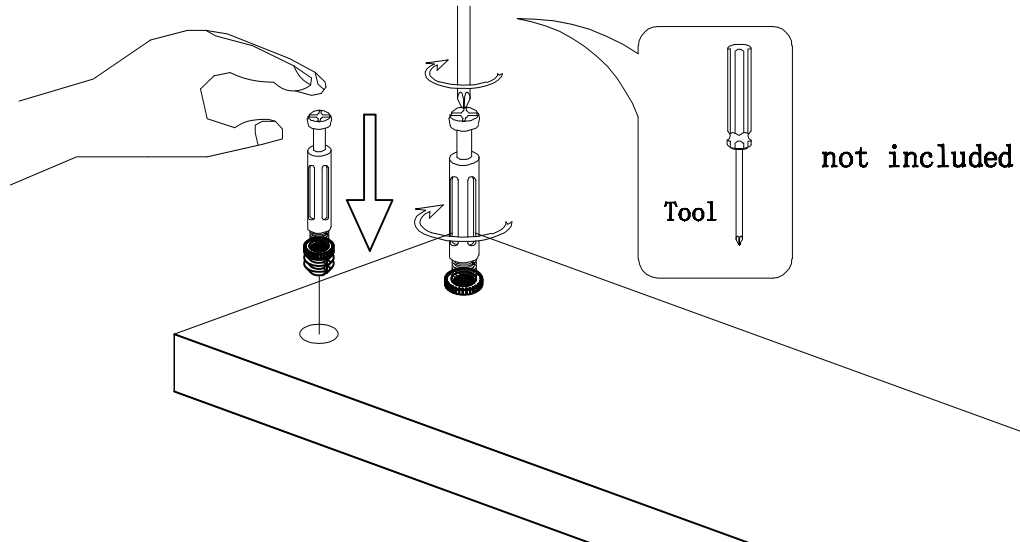




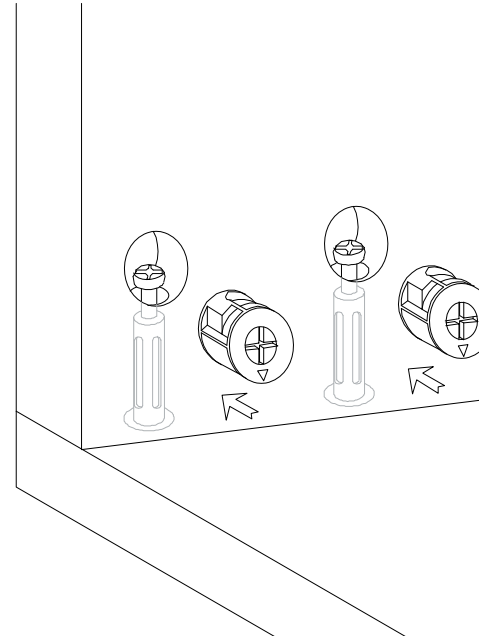
Hardware installation demonstration

NOTE: Please make sure "A" hardware tightened and can't be pulled out!

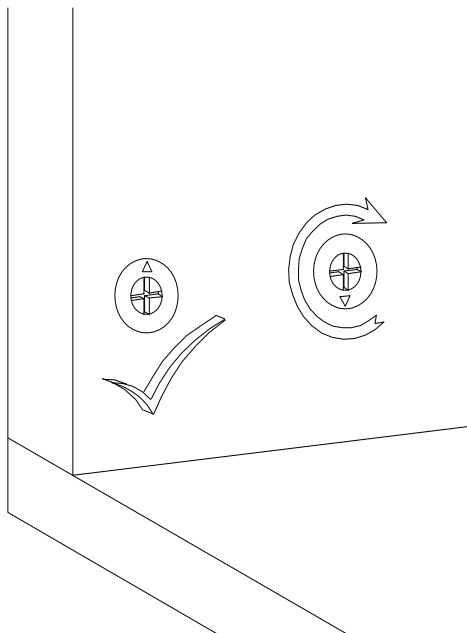
I



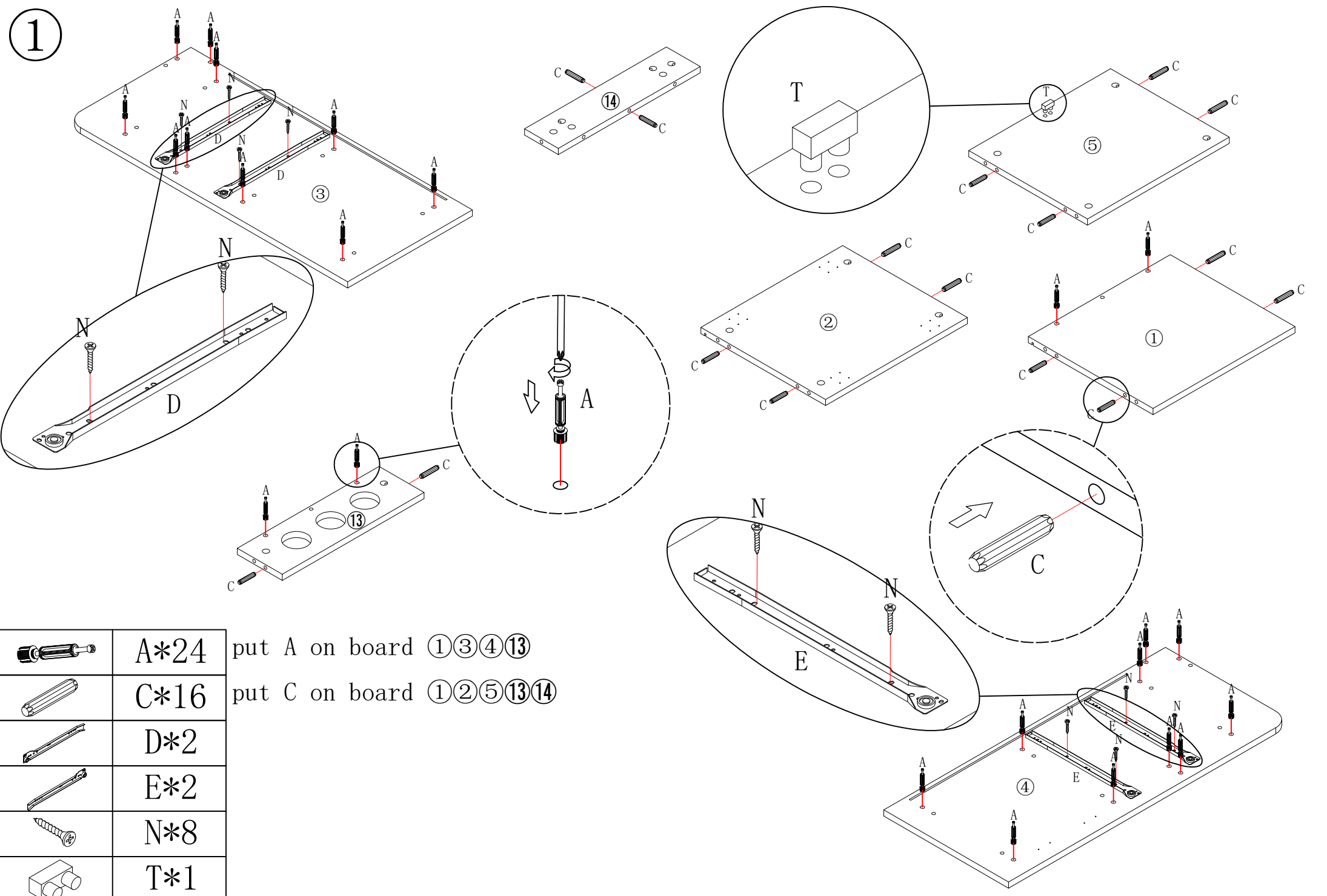
II


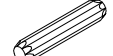






III



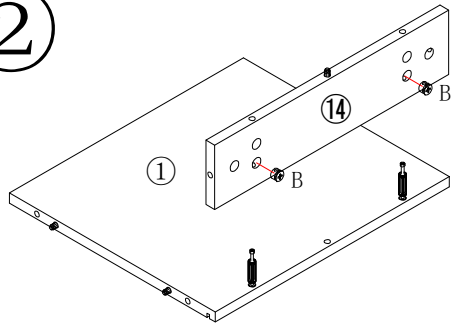
1



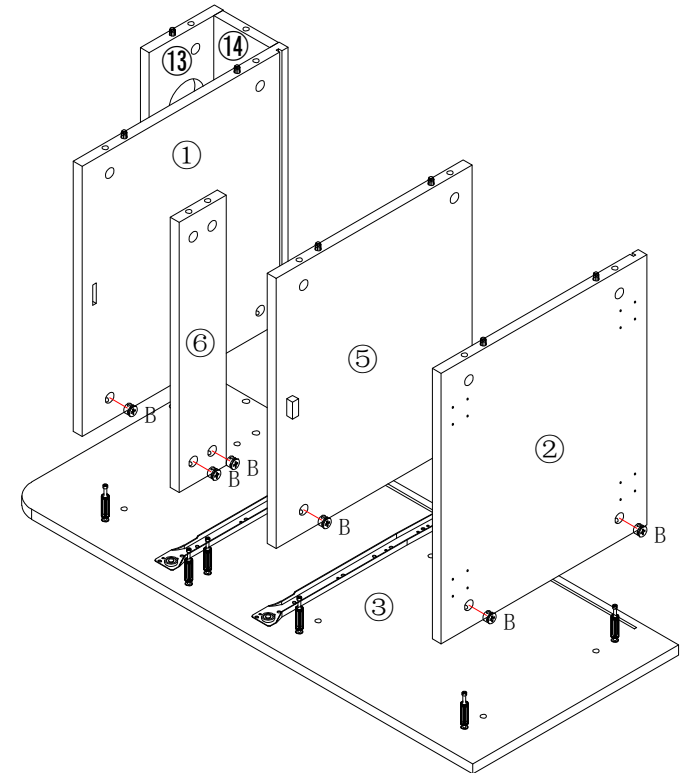
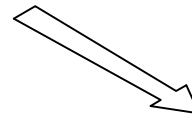
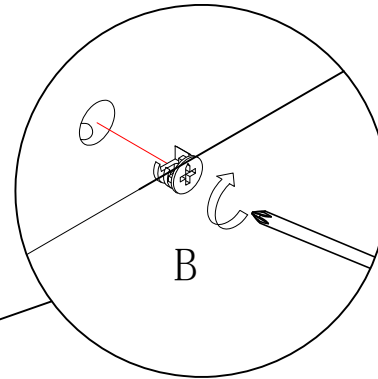
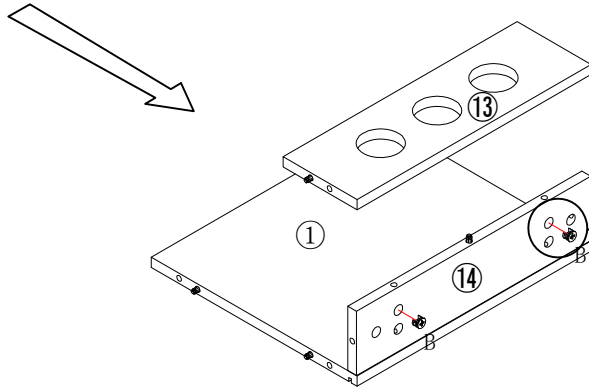
	A*24
	C*16
	D*2
	E*2
	N*8
	T*1

put A on board ①③④⑬
 put C on board ①②⑤⑬⑭

2

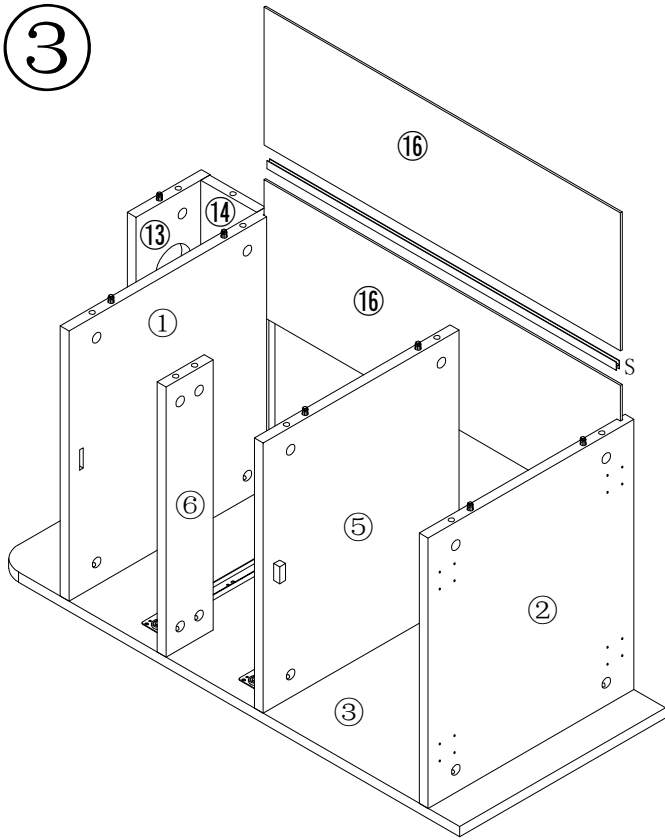


Make sure the arrow on the screw align to the hole on the side.

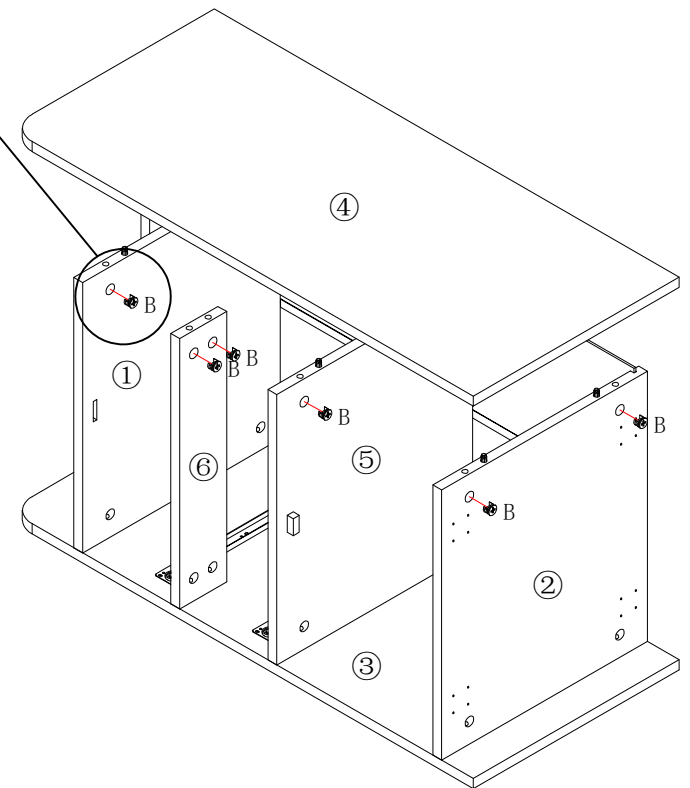
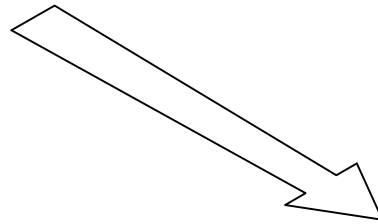
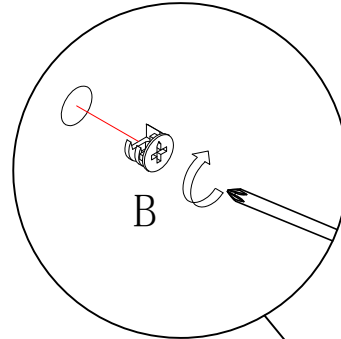


B*14 put B on board ①②⑤⑥⑬⑭

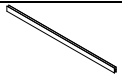
3



Make sure the arrow on the screw align to the hole on the side.

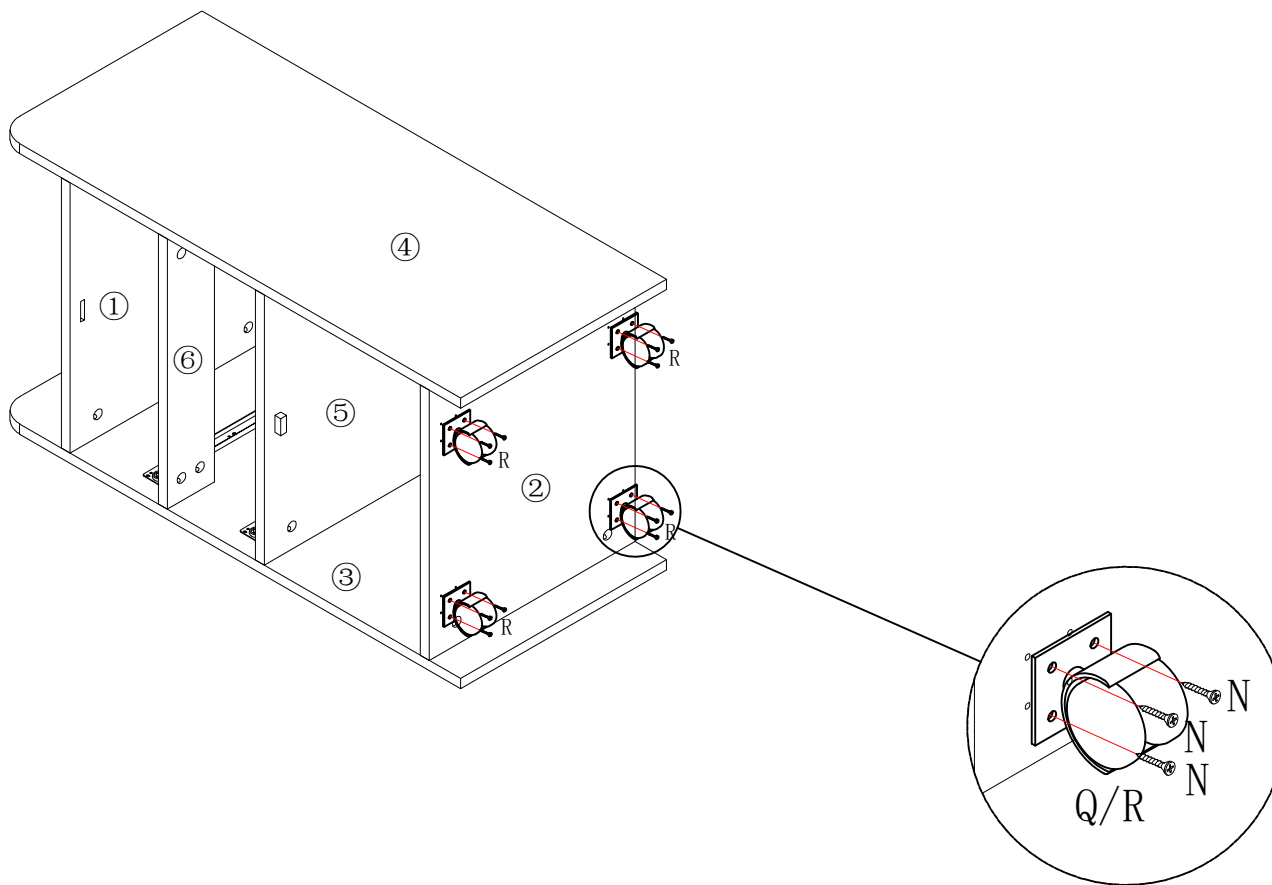


B*10 put B on board ①②⑤⑥⑬⑭



S*1

4



N*16

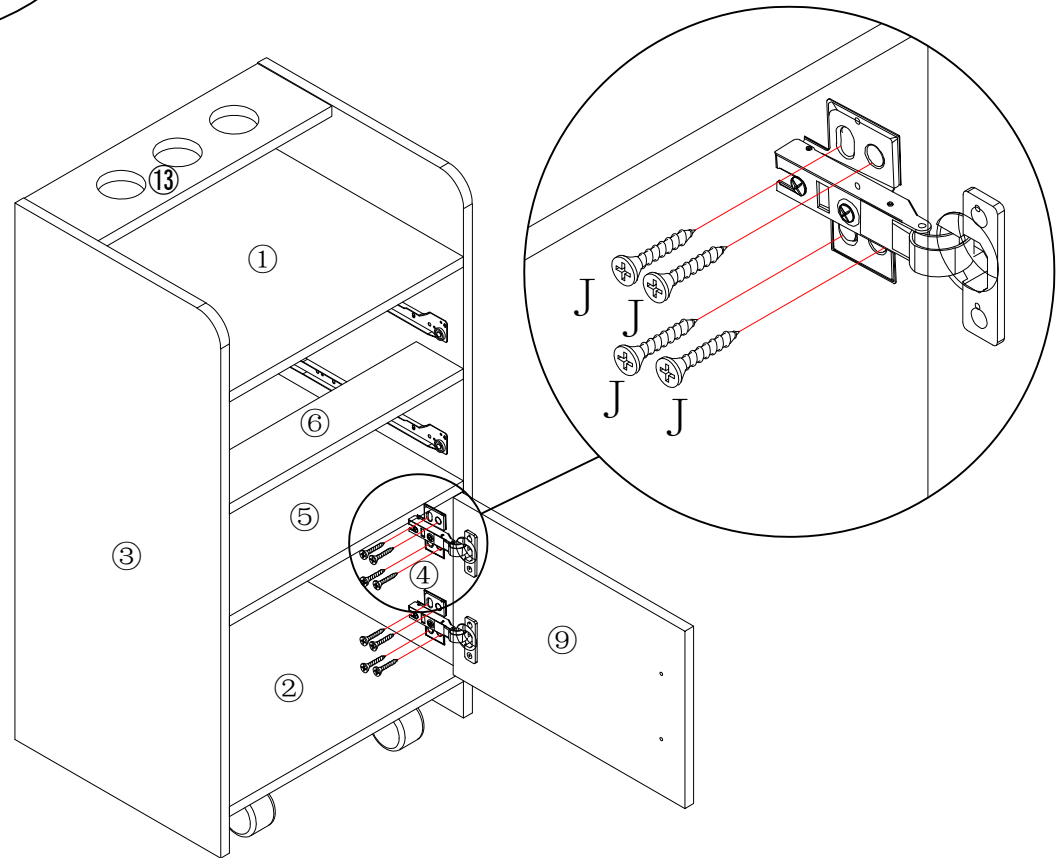
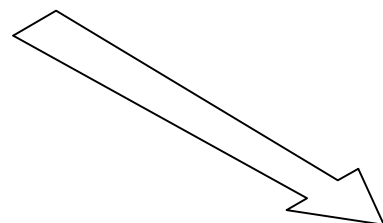
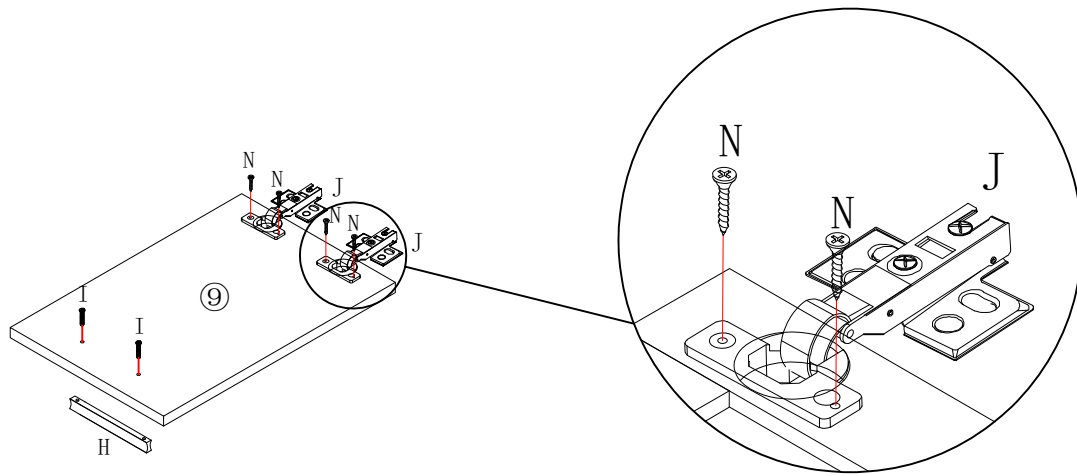




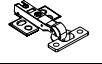

Q*2



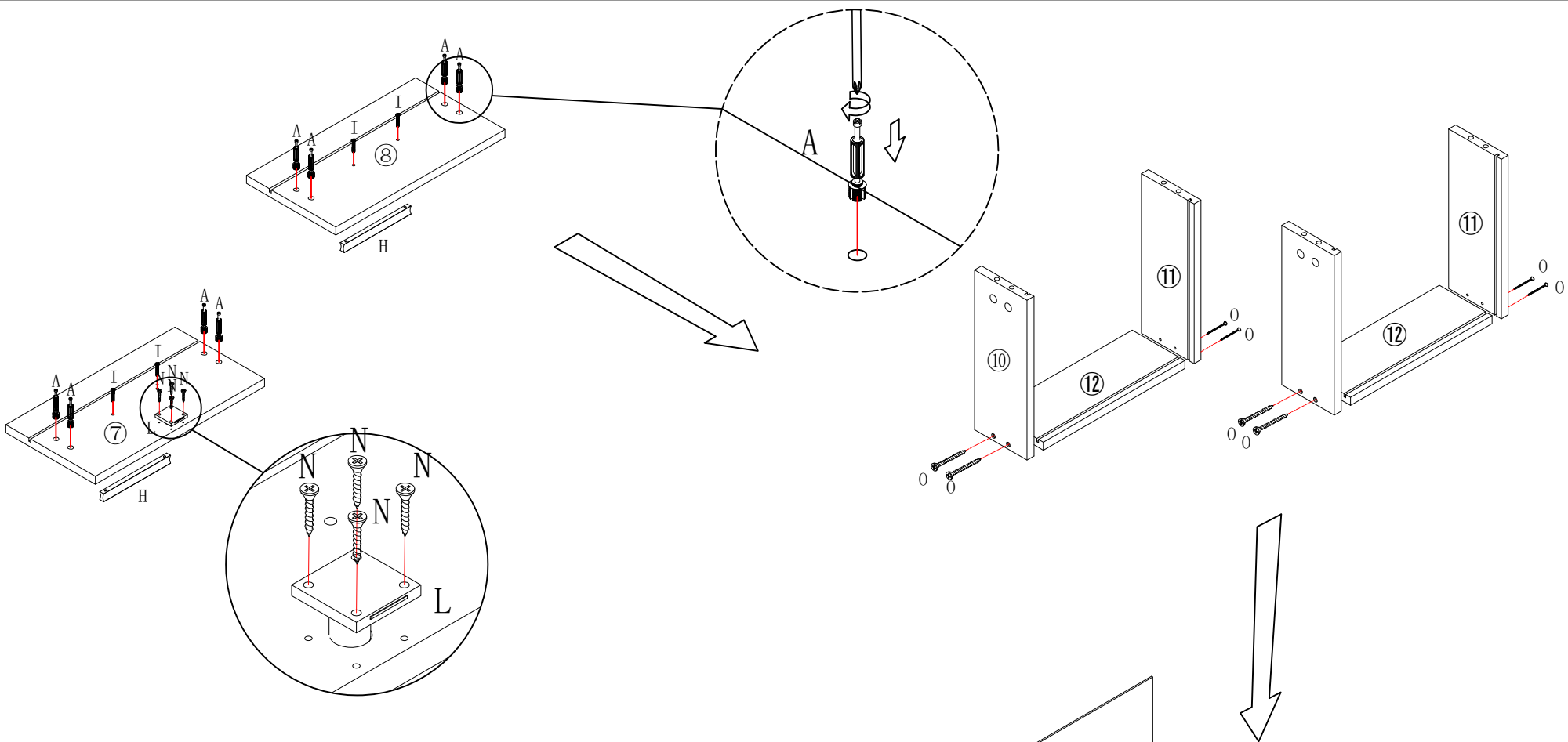
R*2

5


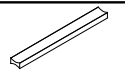

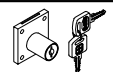

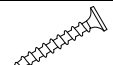


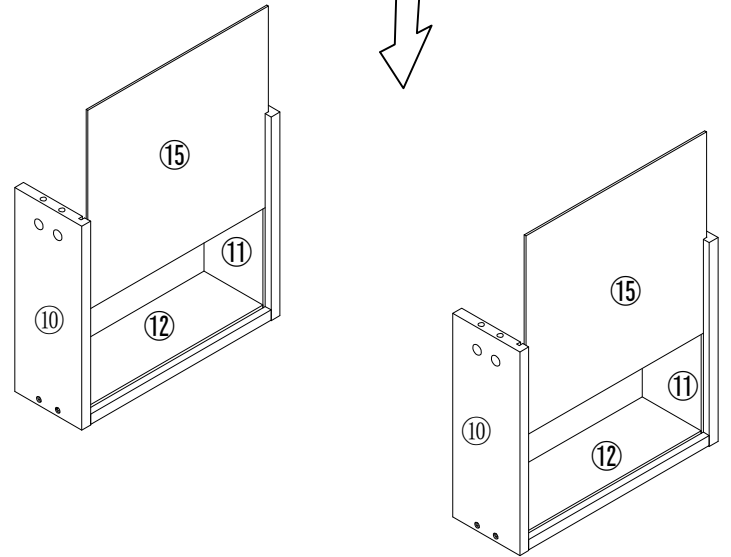
	H*1
	I*2
	J*2
	N*12

6

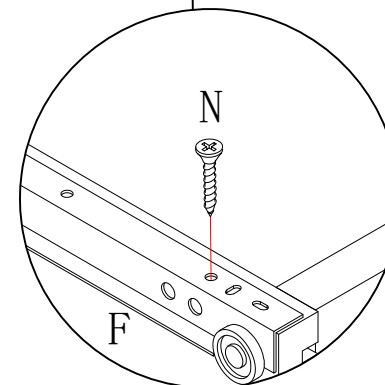
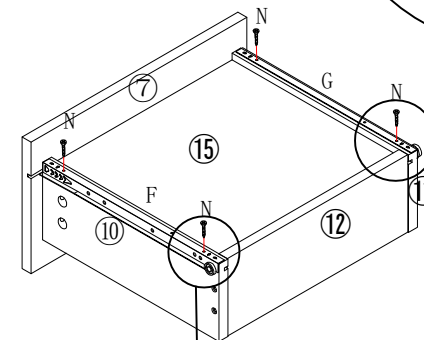
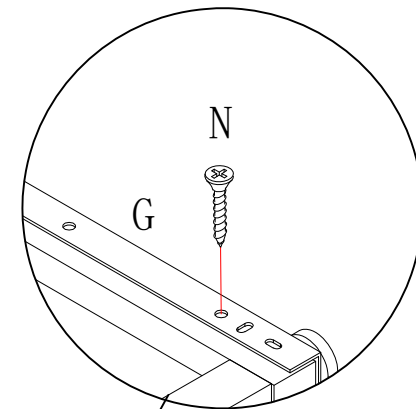
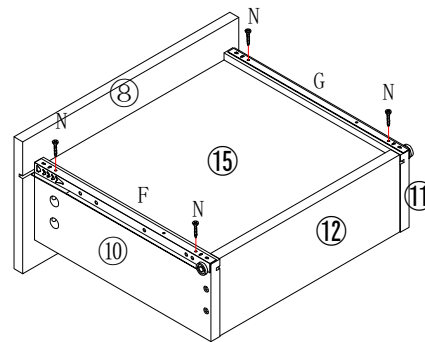
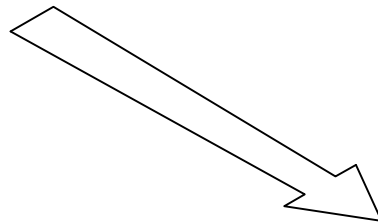
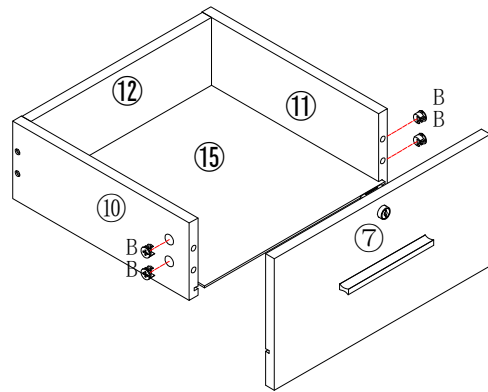
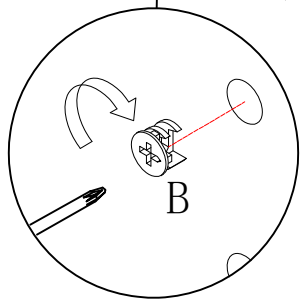
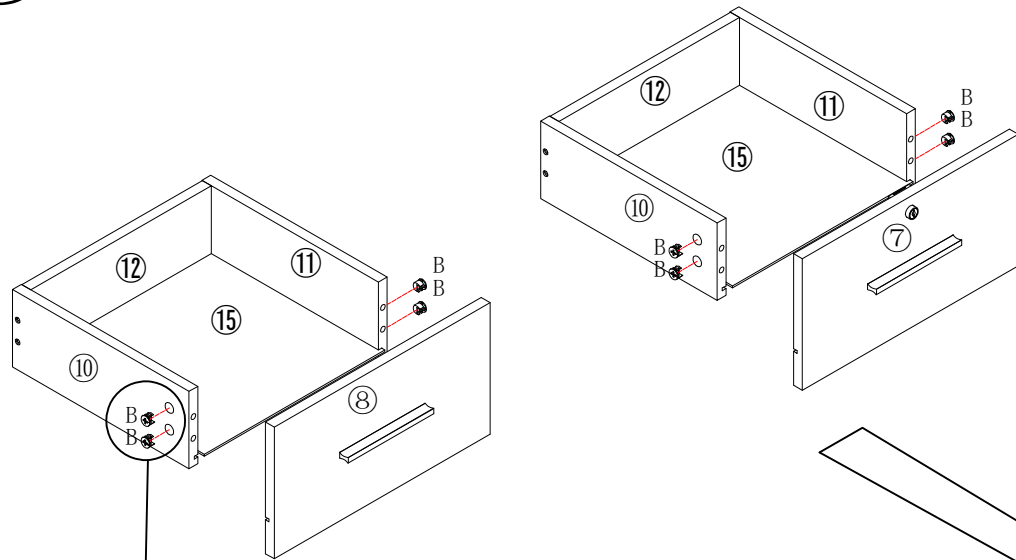


put A on board ⑦⑧

	A*8
	H*2
	I*4
	L*1
	N*4
	0*8



7

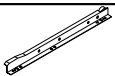


Make sure the arrow on the screw align to the hole on the side.

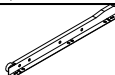


B*8

put B on board 10 11



F*2

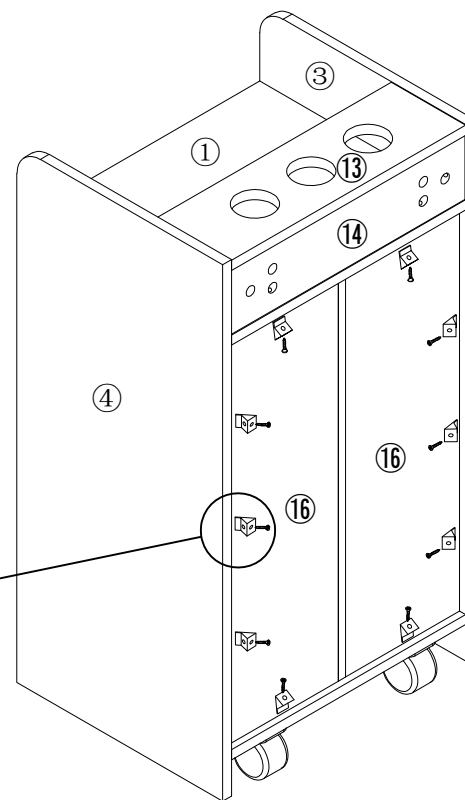
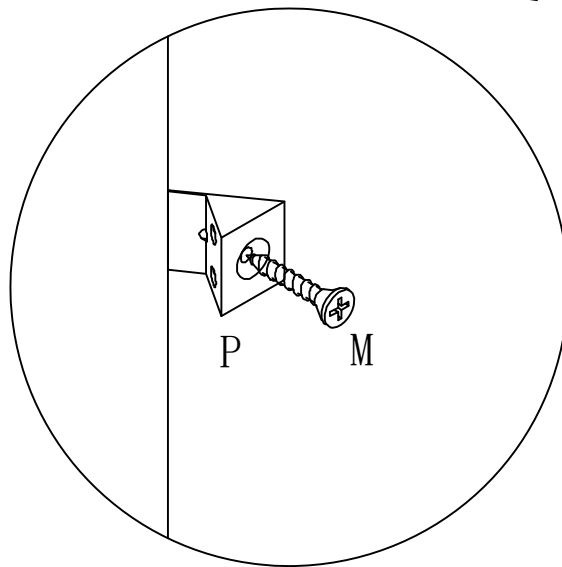
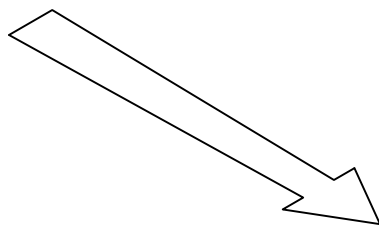
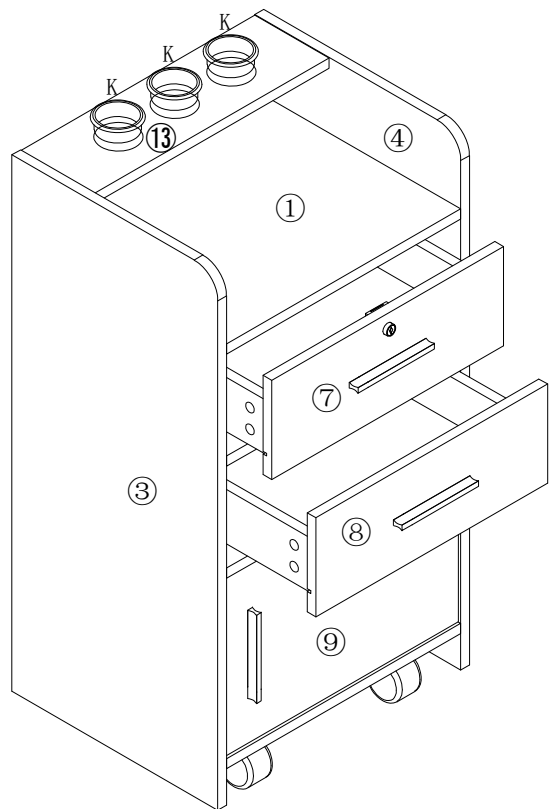


G*2



N*8

8



K*3

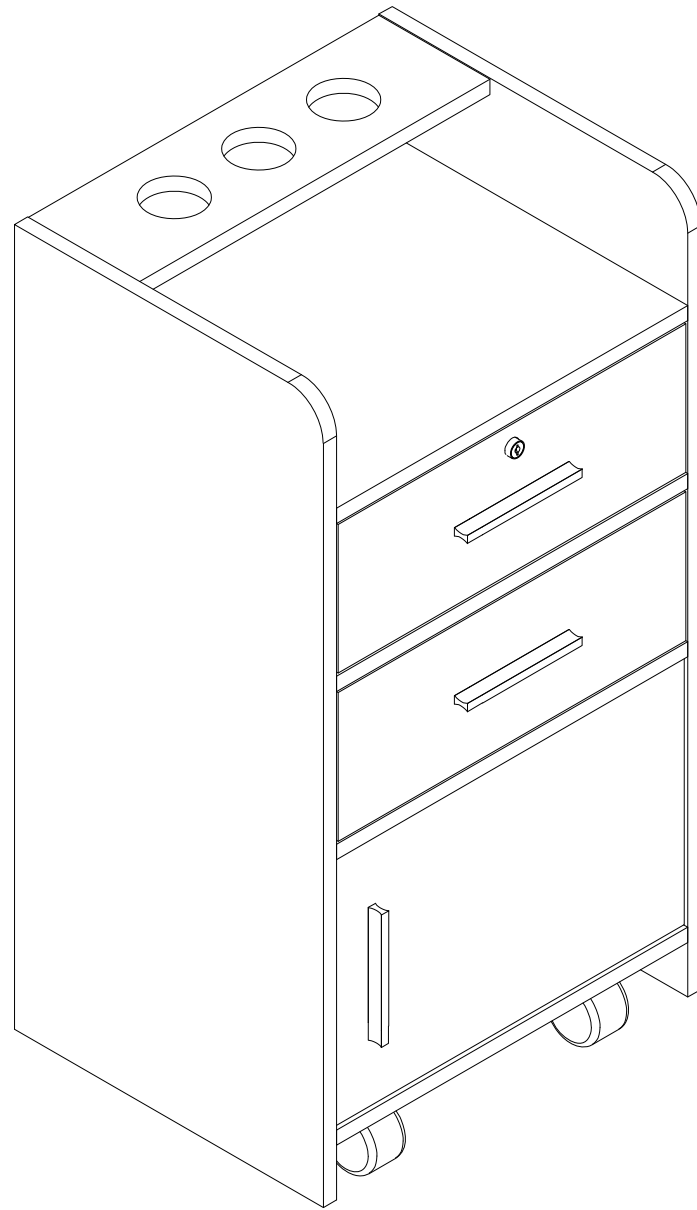


M*10



P*10

9



---END---