



CAUTION

This is NOT a permanent structure.

The canopy top should never be left on during periods of extended or heavy rain nor any inclement weather where high winds or wind gusts can occur.

If left up, damage to the gazebo and surroundings can occur.

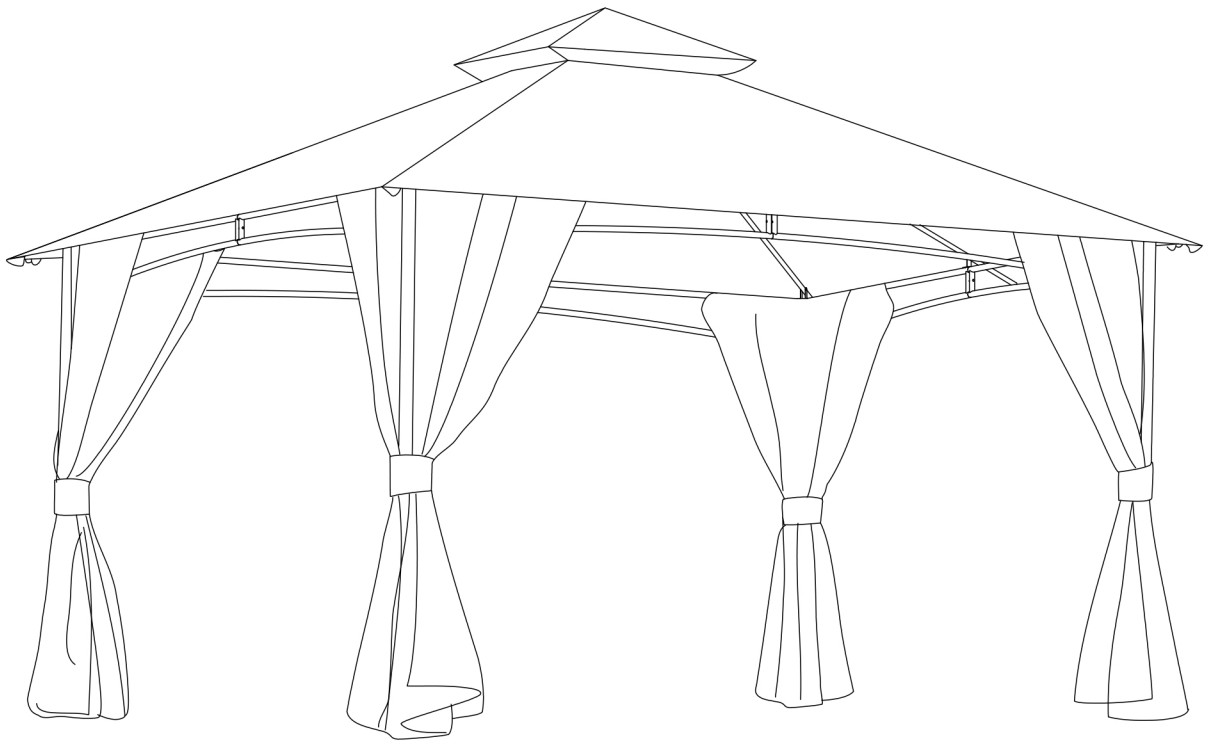
If you have questions or concerns.

Please contact us via email at domiservice01@outlook.com



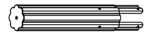
13ft×10ft Roof Style Gazebo

Assembly Instructions



Missing part? Damaged? Contact us via email at
domiservice01@outlook.com

Part list



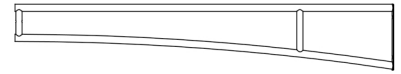
A 4x Corner Post



A1 4x Corner Post



C 2x Short Beam



C1 2x Short Beam



D 2x Long Beam



D1 2x Long Beam



E 4x Corner Roof Tube Connector



E1 4x Corner Roof Tube



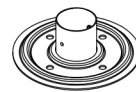
F 2x Middle Roof Tube Connector



F1 2x Short Middle Roof Tube



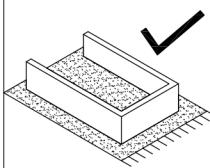
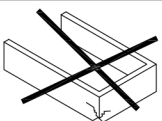
F2 2x Long Middle Roof Tube



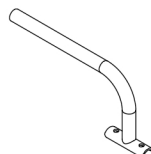
B 4x Post Base



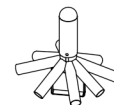
B1 4x Plastic Connector



G 4x Bracket



H 4x Corner Roof Tube Connector



J 1x Roof Hub



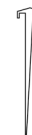
K 1x Vent Cover & Main Canopy



L 4x Mosquito netting



M 8x Post Anchor



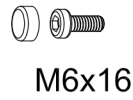
N 4x Guy Rope Anchor



P 4x Guy Rope



Q 1x Wrench



1 48x Bolt



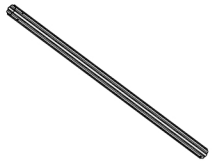
2 12x Bolt and Nut



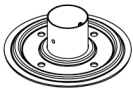
3 4x Bolt and Nut



A 4x Corner Post



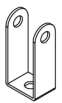
A1 4x Corner Post



B 4x Post Base



B1 4x Plastic Connector



G 4x Bracket



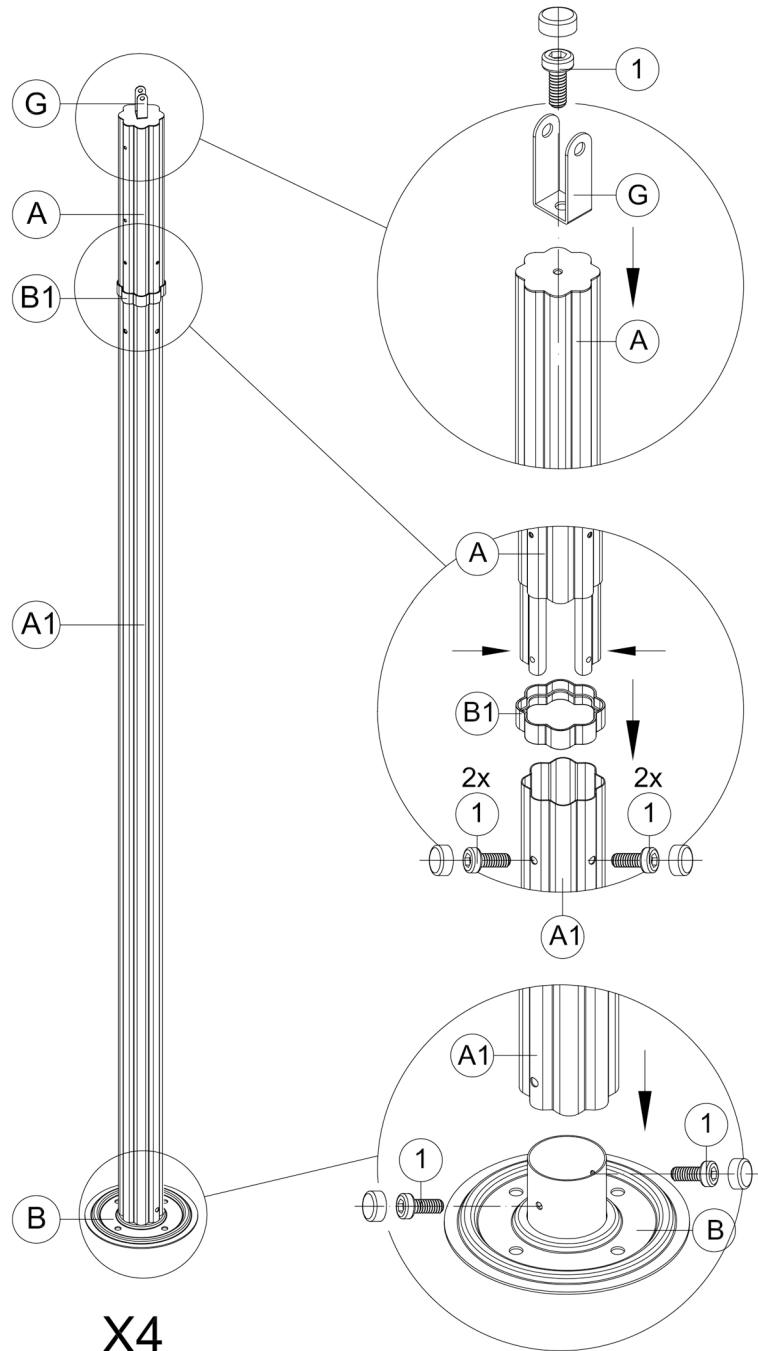
Q 1x Wrench



1 28x Bolt

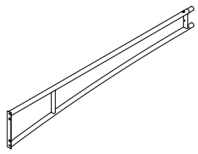
3

<1>

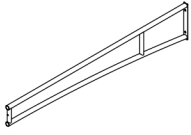


Step 1

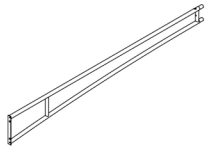
- (1) Attach Bracket G to the top of Corner Post A with bolt#1. Corner Post A is inserted into the Plastic Connector B1 and then attach Corner Post A to the top of corner post A1 with bolt#1.
- (2) Attach post base B to the bottom of corner post A1 with bolt#1.
- (3) Repeat the above procedures for the other three corner posts.



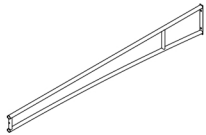
C 2x Short Beam



C1 2x Short Beam



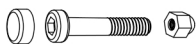
D 2x Long Beam



D1 2x Long Beam



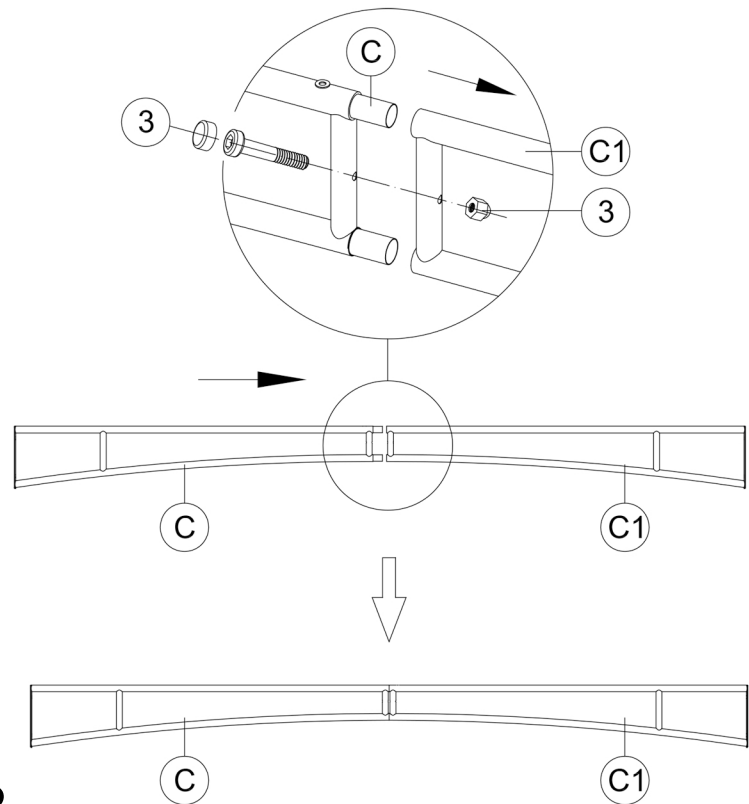
Q 1x Wrench



M6x60

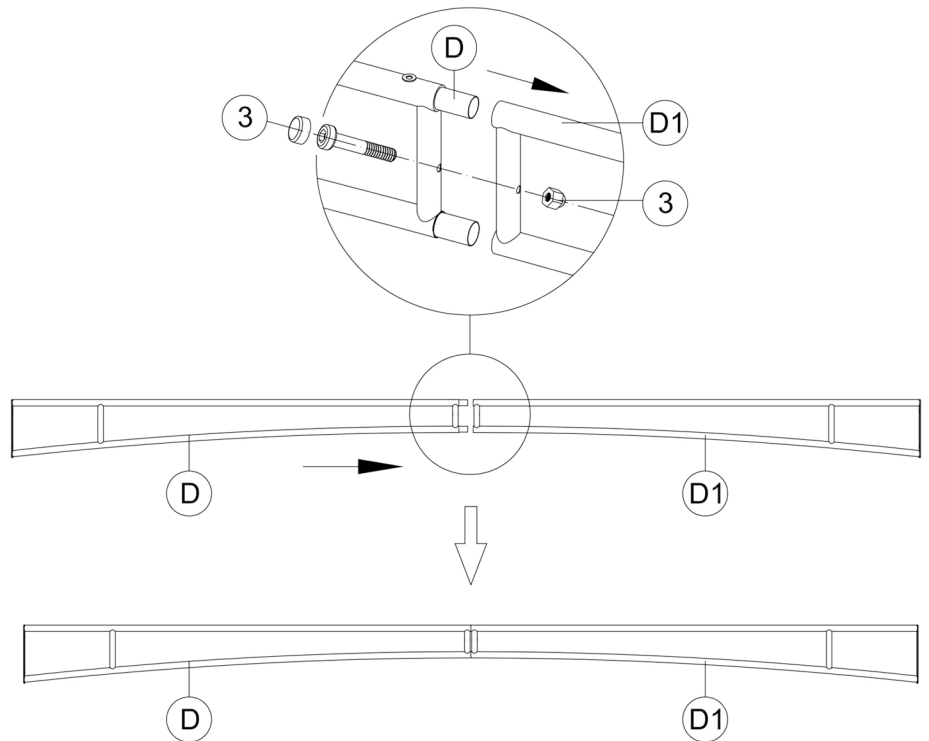
3 4x Bolt and Nut

4



Step 2

- (1) Insert Short Beam C into Short Beam C1.
- (2) Use Bolt#3 to secure Short Beam C1 and Short Beam C to form a complete short beam.



- (3) Insert Long Beam D into Long Beam D1.
- (4) Use Bolt#3 to secure Long Beam D1 and Long Beam D to form a complete long beam.
- (5) Repeat above procedures to assemble the other beams.

✓ S4

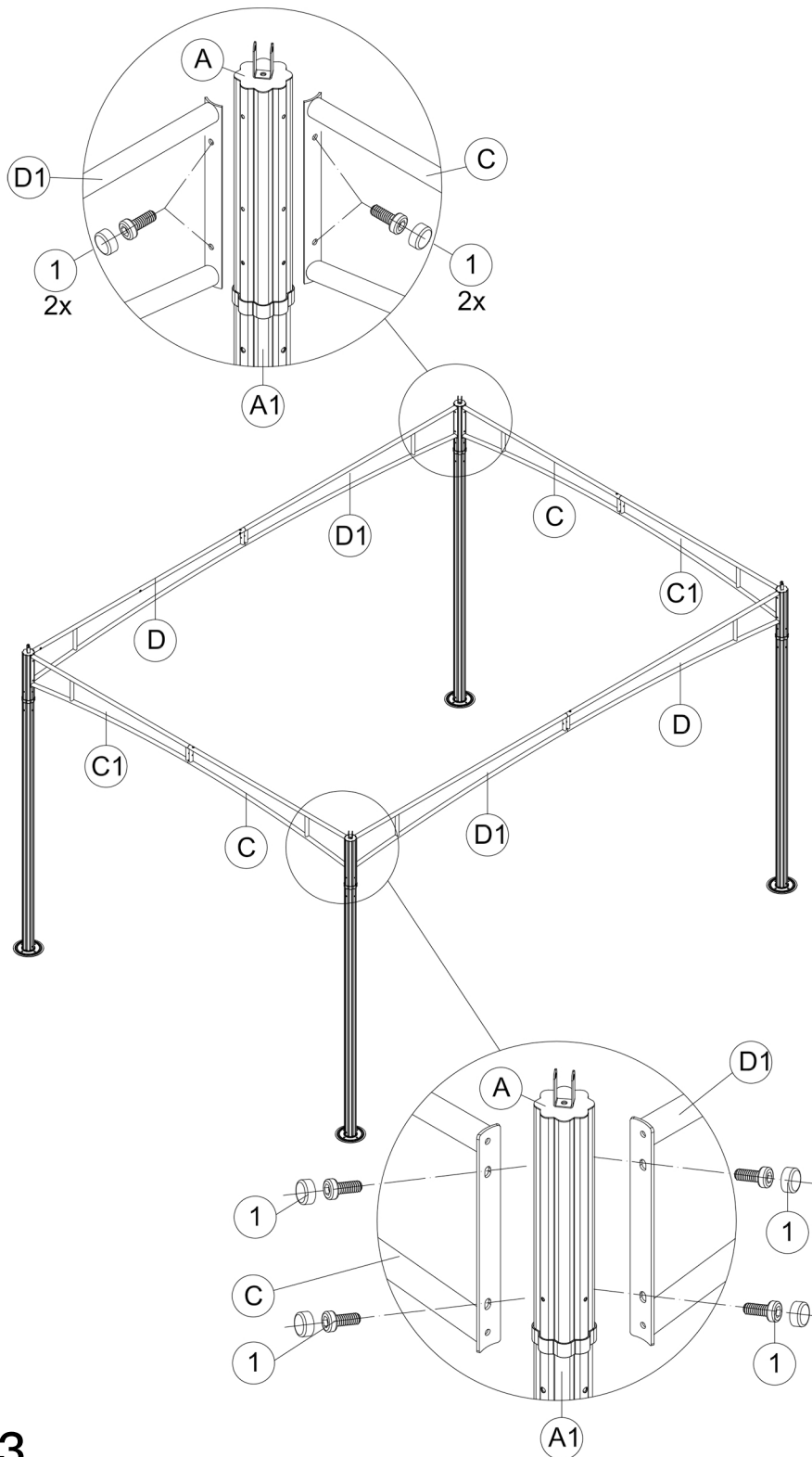
Q 1x Wrench



M6x16

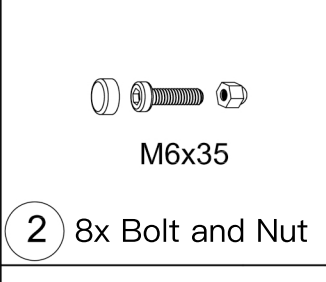
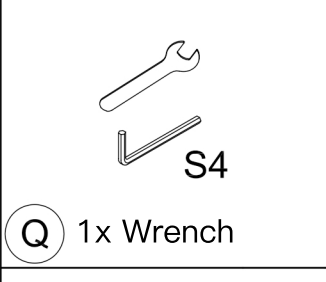
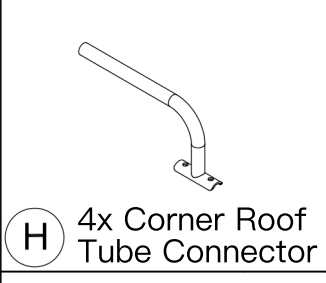
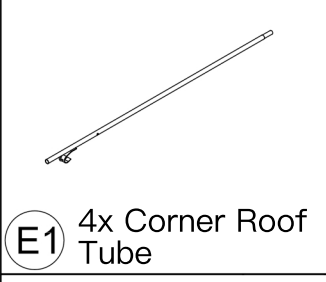
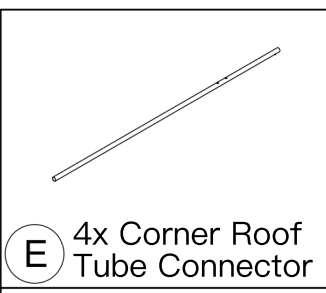
1 16x Bolt

<3>



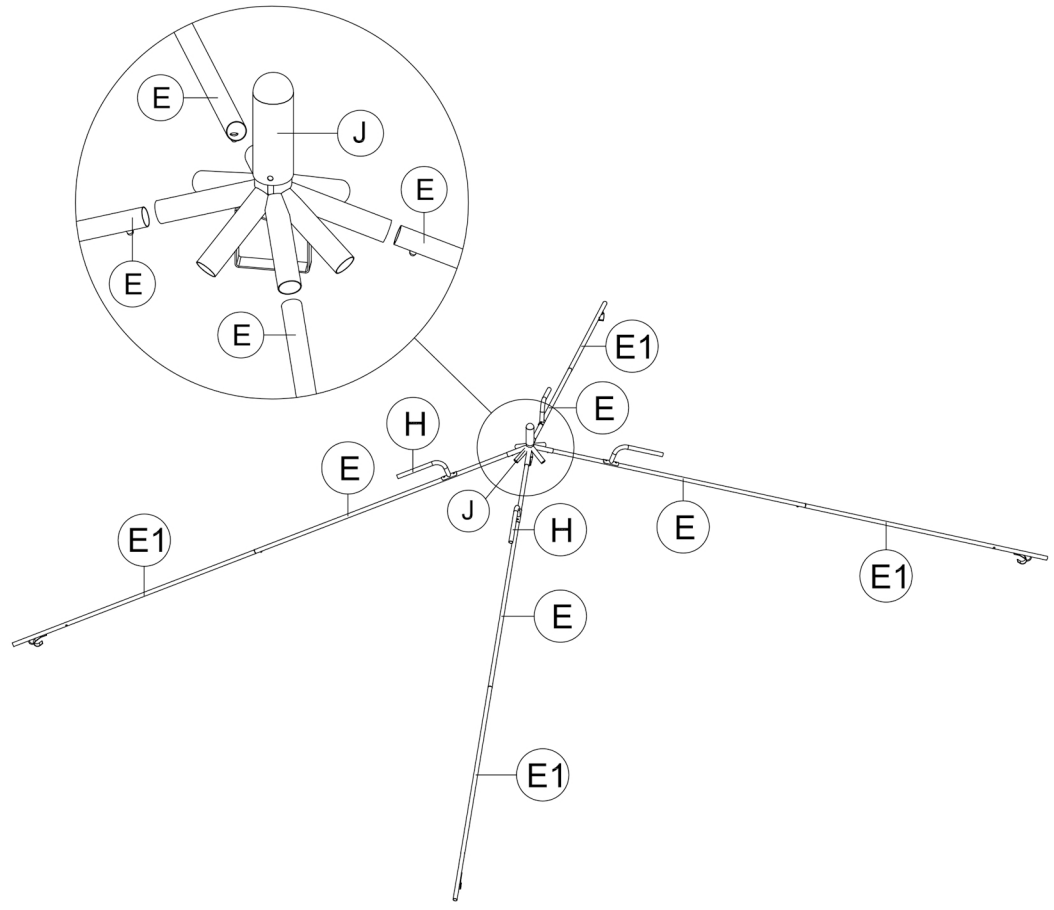
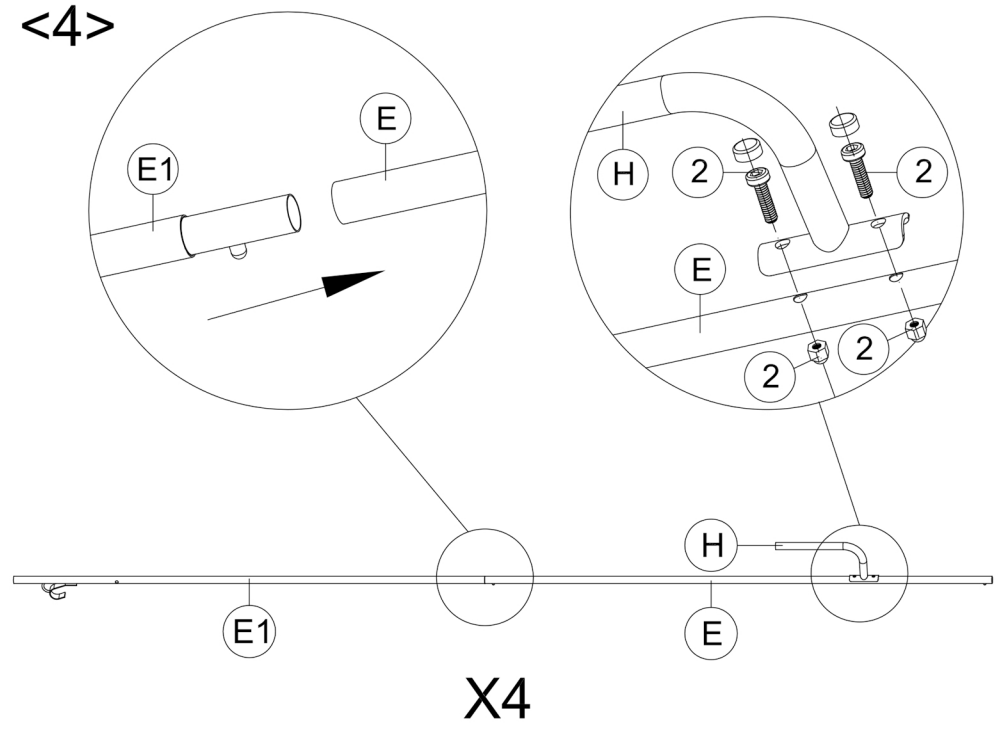
Step 3

- (1) Please have a free standing ladder ready for ease of assembly.
- (2) Use 2 Bolts #1 to attach the C side of the assembled Short Beams to the outside right Corner Post A and 2 Bolts#1 to attach the C1 side of the assembled Short Beams to the outside left Corner Post A.
- (3) Use 2 Bolts#1 to attach the D1 side of the assembled Long Beams to the outside right Corner Post A and 2 Bolts#1 to attach the D side of the assembled Long Beams to the outside left Corner Post A.
- (4) Repeat the above procedures until the frame is up.



6

<4>



Step 4

(1) Attach Connector H to the top of Corner Roof Tube Connector E with bolt#2, Connect Corner Roof Tube Connector E and Corner Roof Tube E1 to form one complete corner roof tube. Repeat this to form four complete corner roof tubes.

<5>

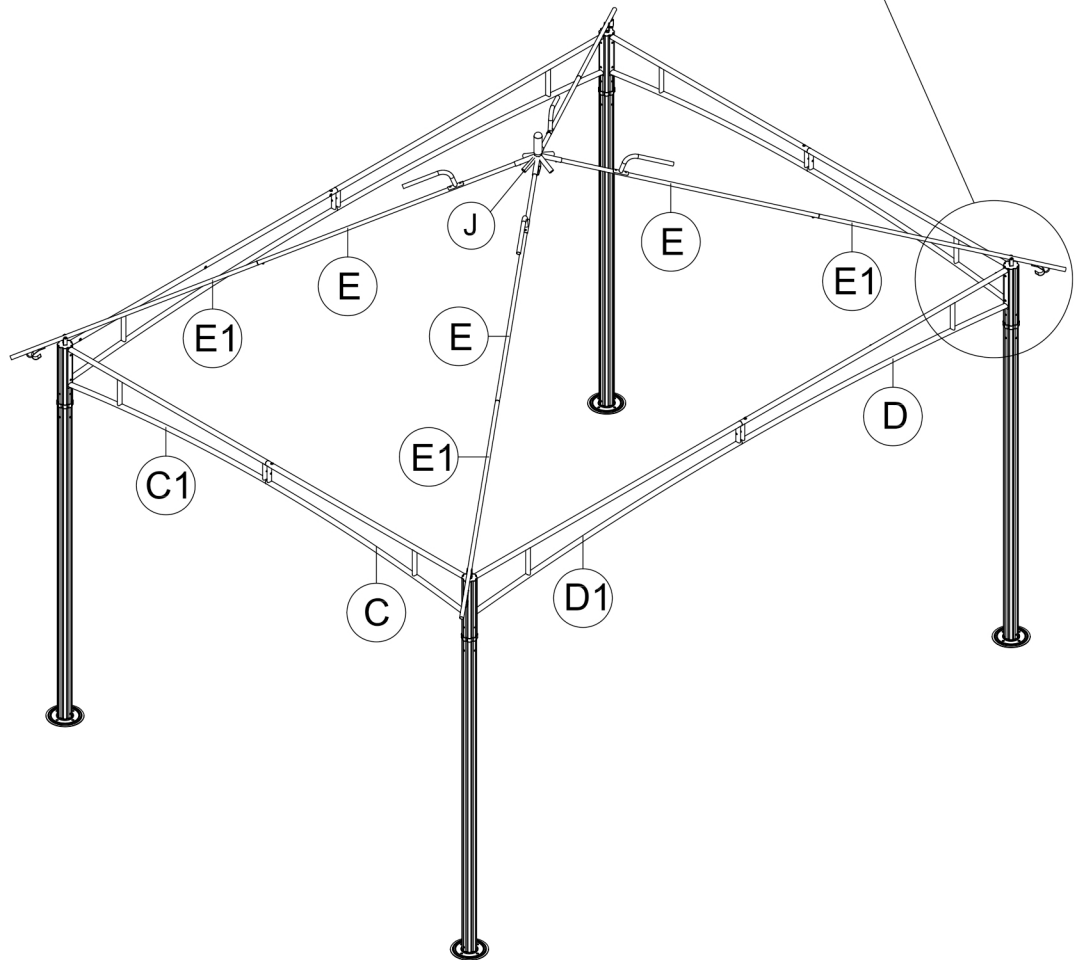
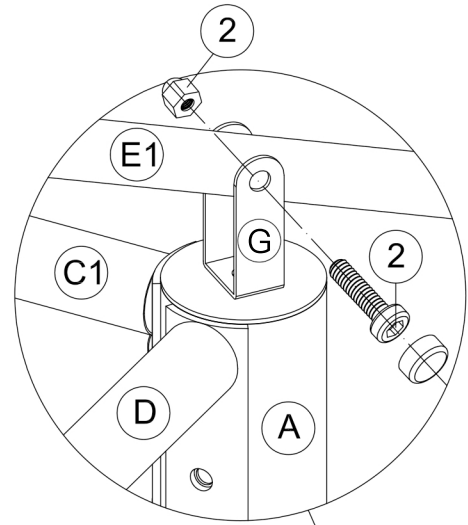


Q 1x Wrench



M6x35

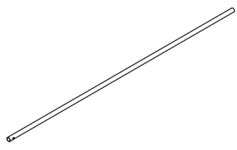
2 4x Bolt and Nut



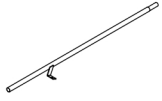
Step 5

(1) Please have a freestanding ladder ready at the center of the canopy gazebo.

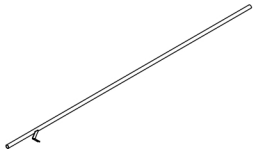
(2) Place Corner Roof Tubes E1 into the Bracket G located on the top of each Corner Post. Secure with Bolts and Nuts #2.



F 2x Middle Roof Tube Connector

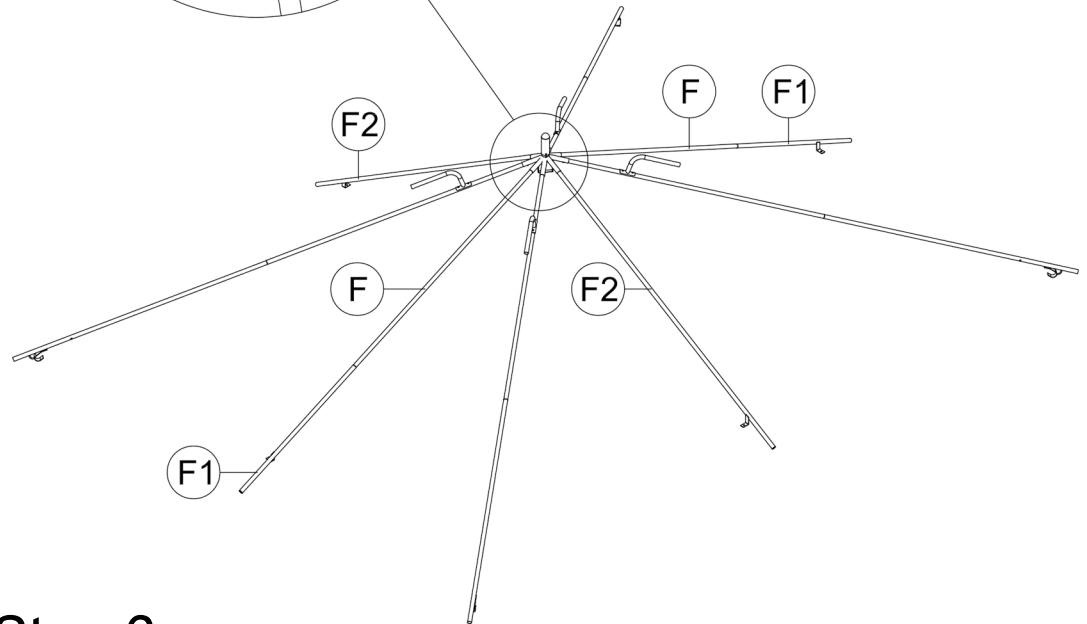
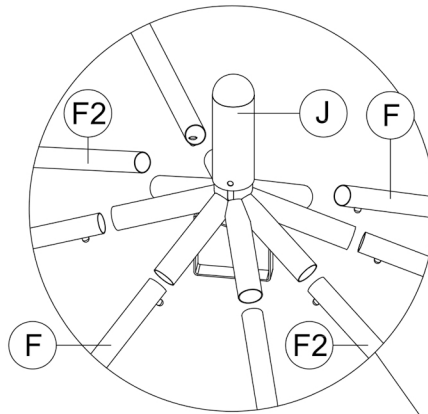
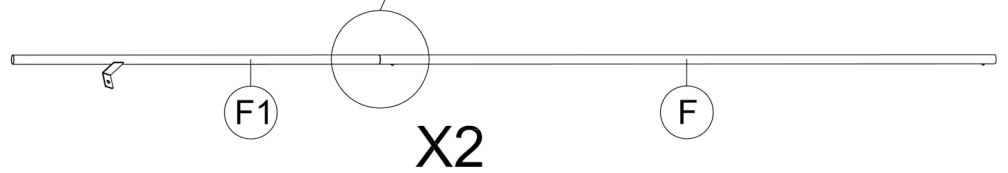
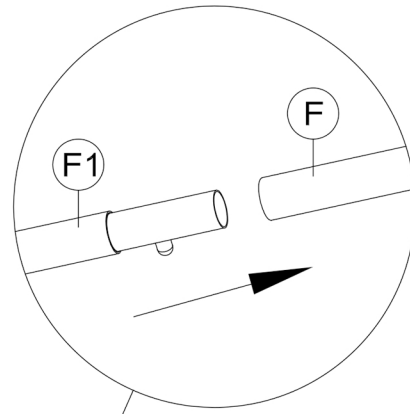


F1 2x Short Middle Roof Tube



F2 2x Long Middle Roof Tube

<6>



Step 6

(1) Connect Middle Roof Tube Connector F and Short Middle Roof Tube F1 to form one complete corner roof tube. Repeat this to form two complete corner roof tubes.

(2) Insert Long Middle Roof Tube F2 to Roof Hub J, Repeat this to form two complete middle roof tubes.



S4

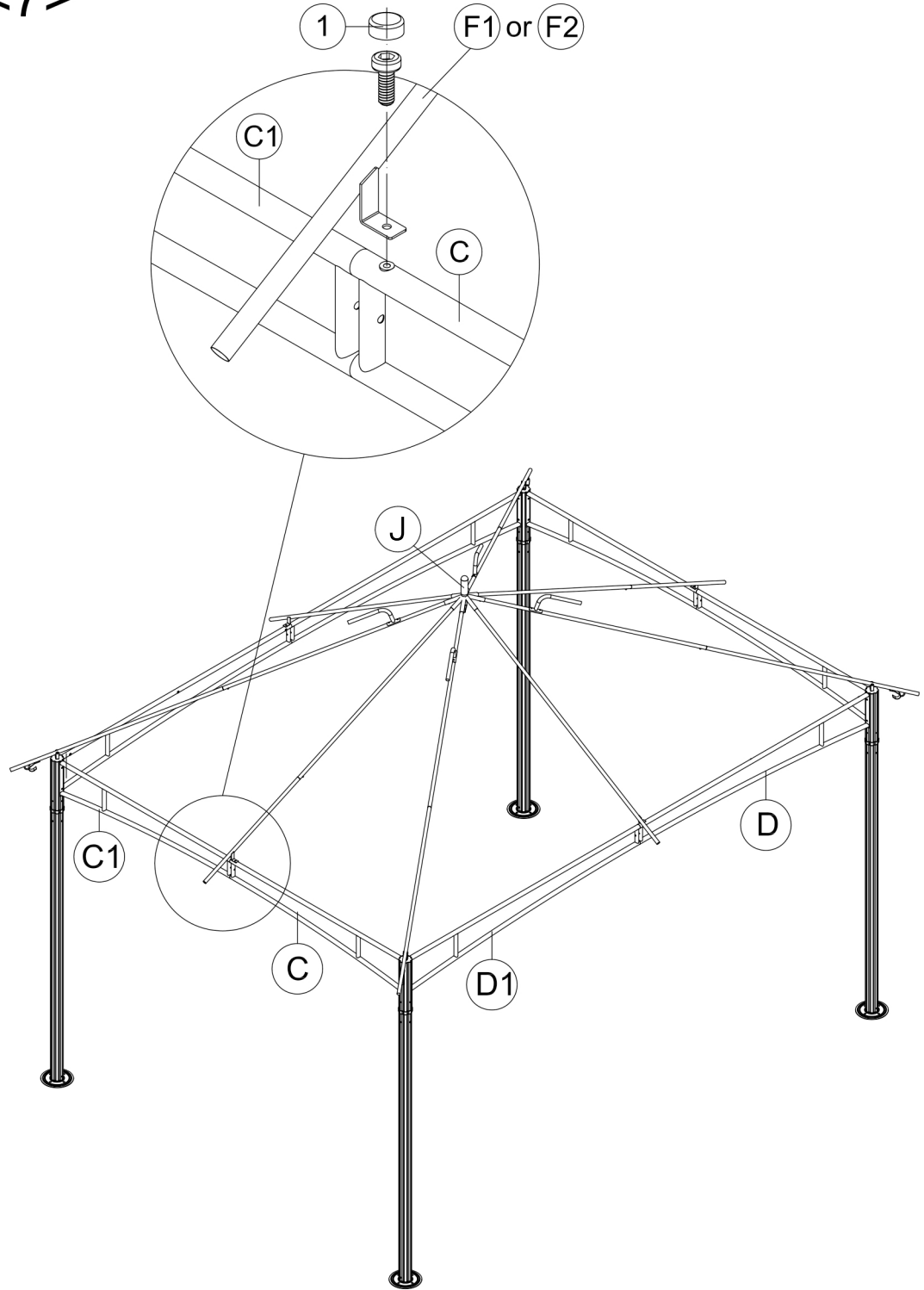
Q 1x Wrench



M6x16

1 4x Bolt

<7>



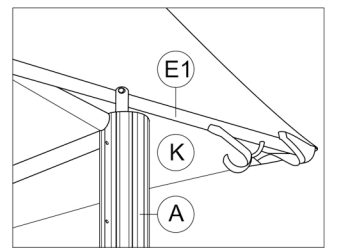
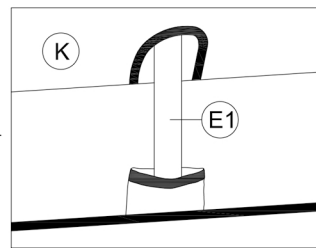
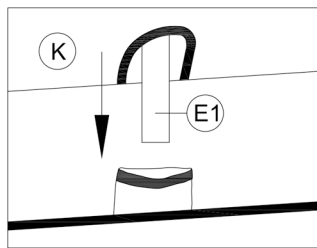
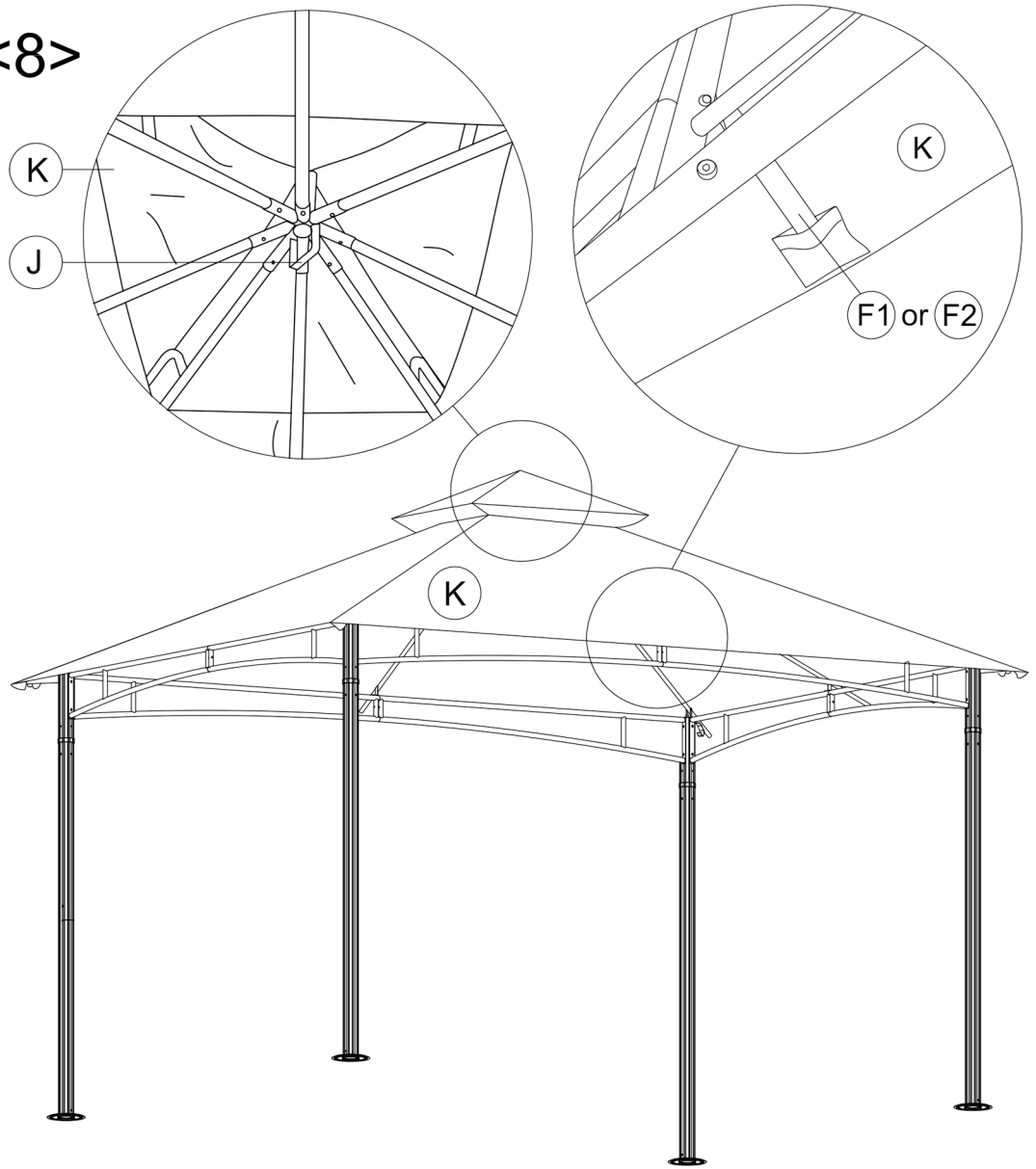
Step 7

- (1) Please have a freestanding ladder ready at the center of the canopy gazebo.
- (2) Place Middle Roof Tubes F1 or F2 into the Bracket G located on the middle of each Corner Post. Secure with Bolts and Nuts #1.



K 1x Vent Cover & Main Canopy

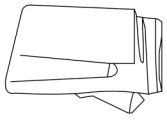
<8>



10

Step 8

- (1) Gently place Main Canopy over roof frame. Pull the canopy down to each corner until all Corner Roof Tubes fit well into the corner pockets on Canopy. Use the pockets in the middle of each side to cover each middle roof tube. **IMPORTANT:** The corner roof tubes should be placed into the corner pockets prior to placing the middle roof tubes into the middle pockets. This will help to place the canopy onto the roof with ease.
- (2) Gently place Vent Cover (from under the Main Canopy) over Corner Roof Tube Connector H. Pull the Vent Cover down to each corner until all Roof Tubes fit well into the corner pockets on Vent Covers.
- (3) Velcro Vent Cover to Main Canopy from underneath.



<9>

L 4x Mosquito netting



M 8x Post Anchor

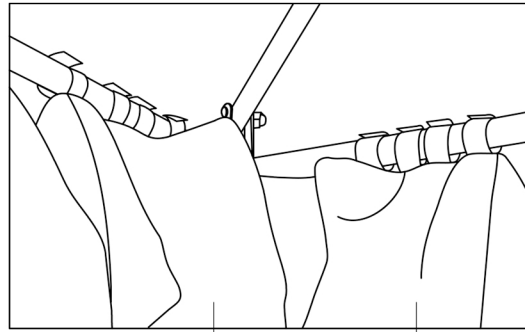


N 4x Guy Rope Anchor

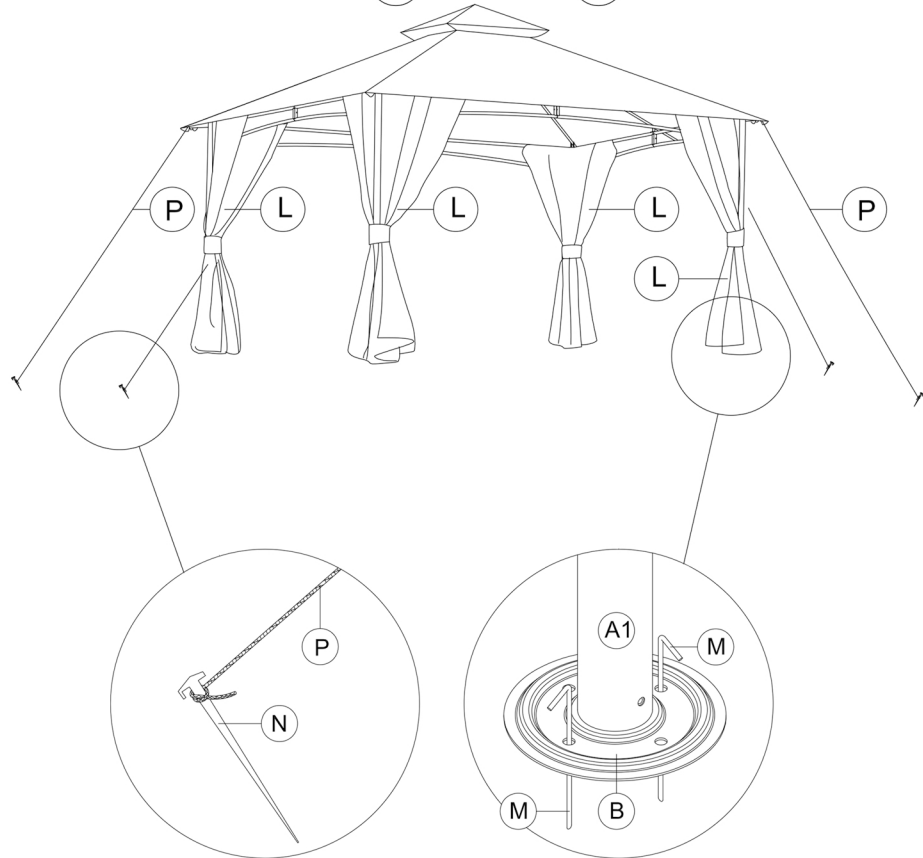


P 4x Guy Rope

11



L L



Step 9

- (1) From the Tie Backs on the Mosquito Netting L, find the long side and short side of each panel. Attach the mosquito netting up from the inside of the garden house with loop straps according 4PCS to the long side and short side of frame.
- (2) Slide the mosquito netting open and close and test the zippers to make sure they match and run smoothly.
- (3) Please locate tiebacks sewn at the outer corner of the netting and always wrap around the corner posts.
- (4) The mosquito netting can also be held back to the posts. Unzip and slide the curtain to the corner. Use the fabric tiebacks sewn to the inside of the curtain corner to wrap the curtain all around the corner posts.
- (5) Carefully adjust the position of the canopy gazebo and make sure four posts are standing completely upright on level ground. Hammer two Post Anchors M through the holes on each post base into the ground.
- (6) Measure out from post to the longest possible distance (to best use the length of the Guy Rope P) and secure Guy Rope Anchor N to ground at 45 degree.
- (7) Repeat the above processes at each corner until the canopy gazebo is firmly anchored.
- (8) Again your canopy gazebo is a shade and privacy structure and not meant to be permanent. Please read warning page again for safety precaution.



RESORT COMFORT IN YONR
OWN BACKYARD

Thanks for your purchase.

At domi outdoor living, we believe in our products.

That's why we provide a 12-month warranty and friendly, easy-to-reach after-sales service. So if you have any questions about our product and assembly, please feel free to contact us. We will be here for you.

Support:  

email: domiservice01@outlook.com

Please tell us your order ID when contact.

Attach photos of damaged part for instant reply.