

# INSTRUCTION MANUAL

Rev00

---

**PIDC05WN/PIDC05G**



## Dresser

---

 877-201-4016 Mon-Fri 8am - 8pm (CST)

 [help\\_service\\_center@outlook.com](mailto:help_service_center@outlook.com)

## Important Safety Information

- Please carefully read all instructions before attempting installation. If you do not understand the instructions or have any questions or concerns, please call technical support or email customer service.
- Before starting assembly, verify all parts are included and undamaged. Do not use damaged or defective parts. If you require replacement parts, please call technical support or email customer service.
- This product contains small parts that may pose a choking hazard.
- Avoid potential injuries and property damage that may be caused by furniture tip-over.
- Do not place a TV or other heavy objects on the top of this product.
- To avoid instability, place heaviest items in the lowest drawers, and never open more than one drawer at a time.
- Do not allow anyone to stand on top of this product.
- Never allow children to climb or hang on the product. To avoid head injury, do not allow children to play underneath open drawers.
- Due to the absence of drawer stops, never allow children to pull the drawer out, which may lead to the drawer falling and causing injury.
- In order to prevent this product from tipping over, it must be used with the wall attachment device provided. Use of tip-over restraints may only reduce, but not eliminate the risk of tip-over.
- Do not use this product for any purpose that is not explicitly specified in this manual. We are not liable for damage or injury caused by improper mounting, incorrect assembly, or inappropriate use.

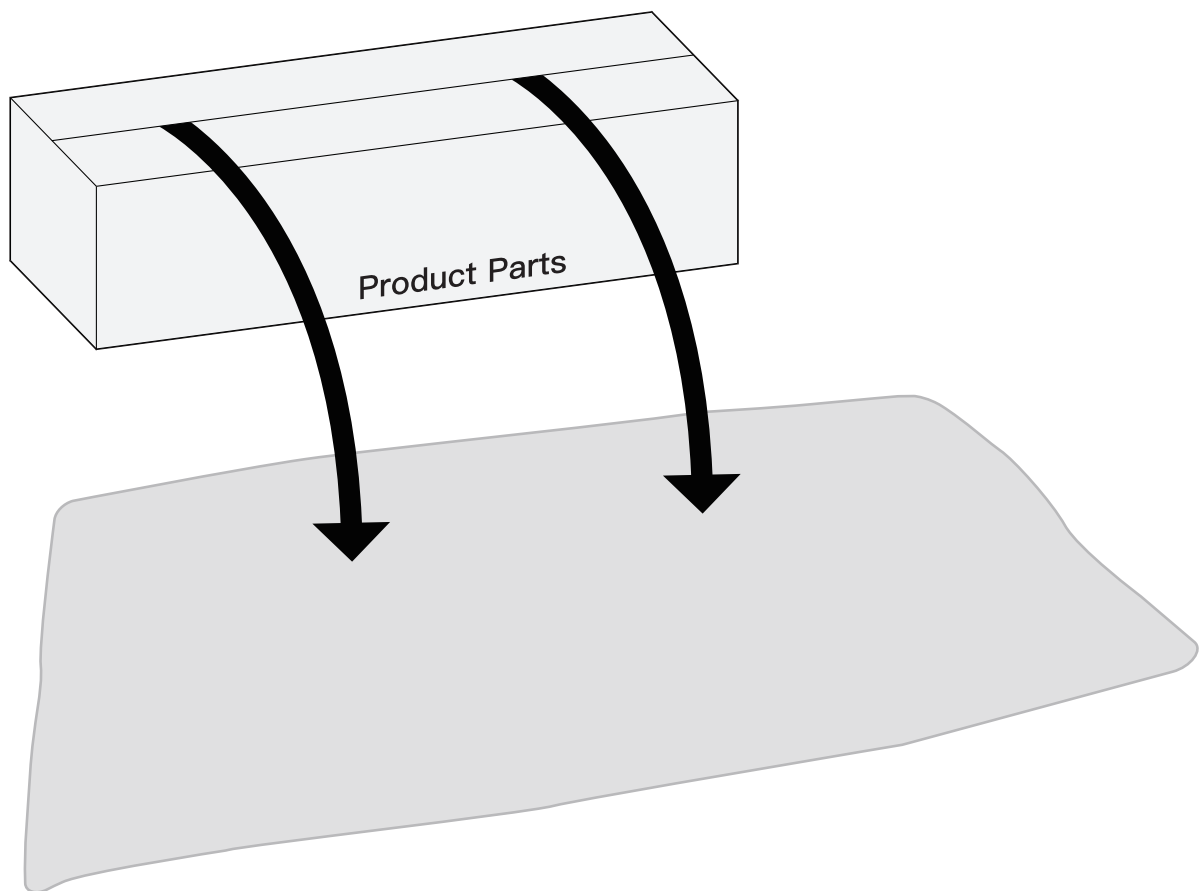
## Care and Maintenance

- Please clean the product with a damp cloth or mild detergent.
- Do not use bleach or other abrasive cleaners.

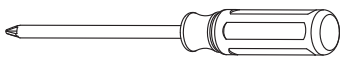


## Installation Tips

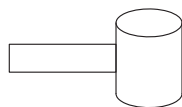
- It is recommended that at least two people install this product together.
- Make sure you have enough space to lay the parts out before assembling.
- To avoid scratches, assemble this product on unfolded cardboard or a soft surface.



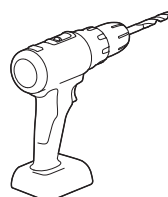
## Tools Needed (Not Included)



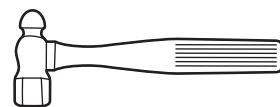
Phillips Screwdriver



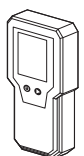
Rubber Mallet



Electric Drill

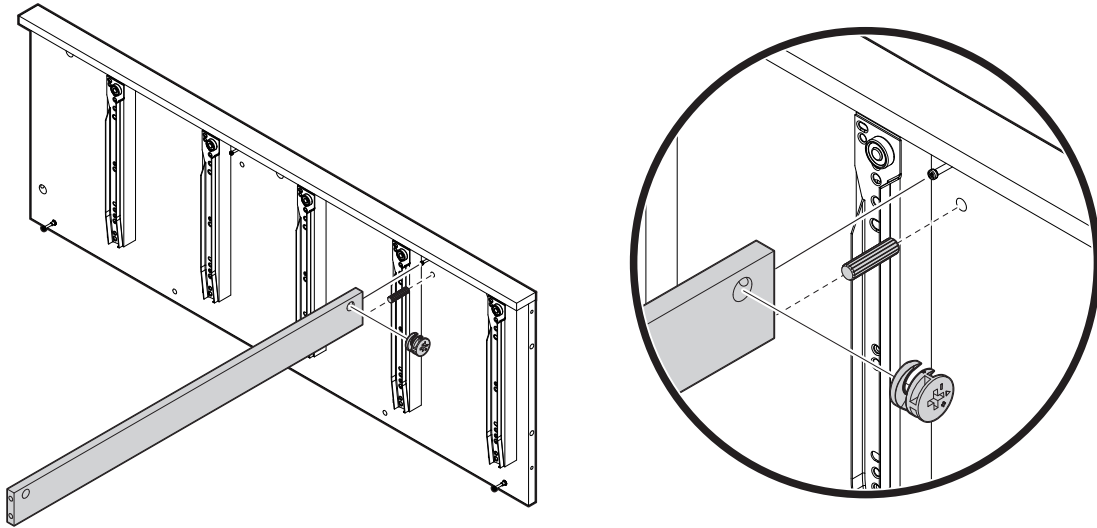


Hammer



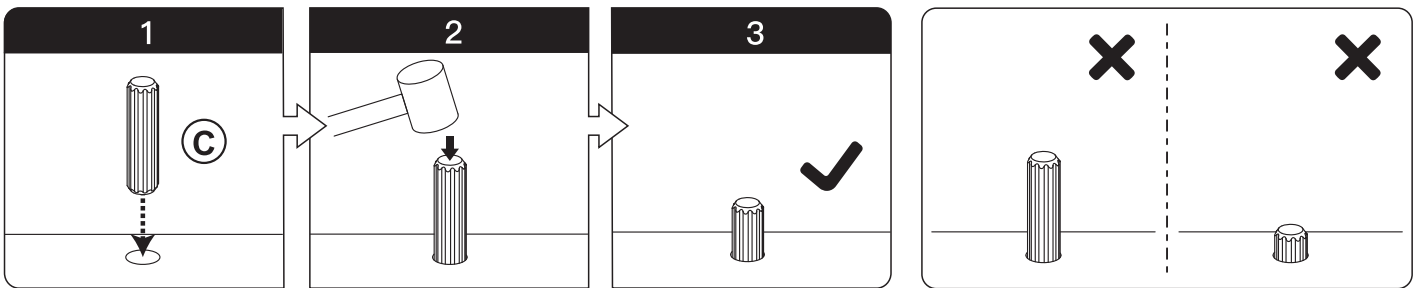
Stud Finder  
(Optional)

## How the Assembly System Works



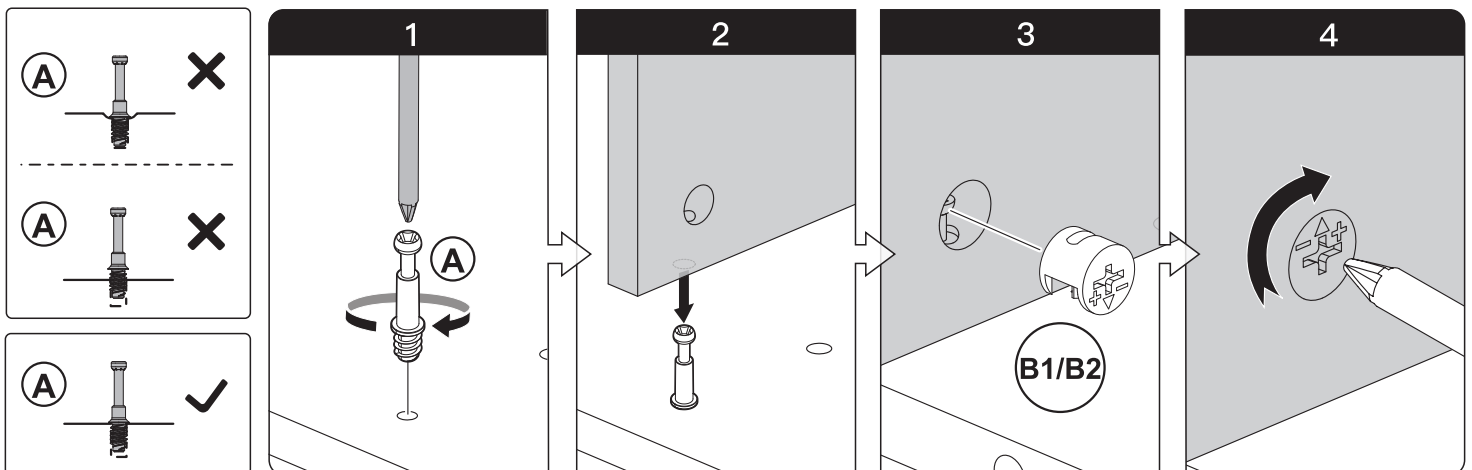
## How to Install Wood Dowels

Insert the wood dowel [C] at least halfway into the hole. IF NECESSARY, lightly tap the wood dowel with a self-supplied rubber mallet.



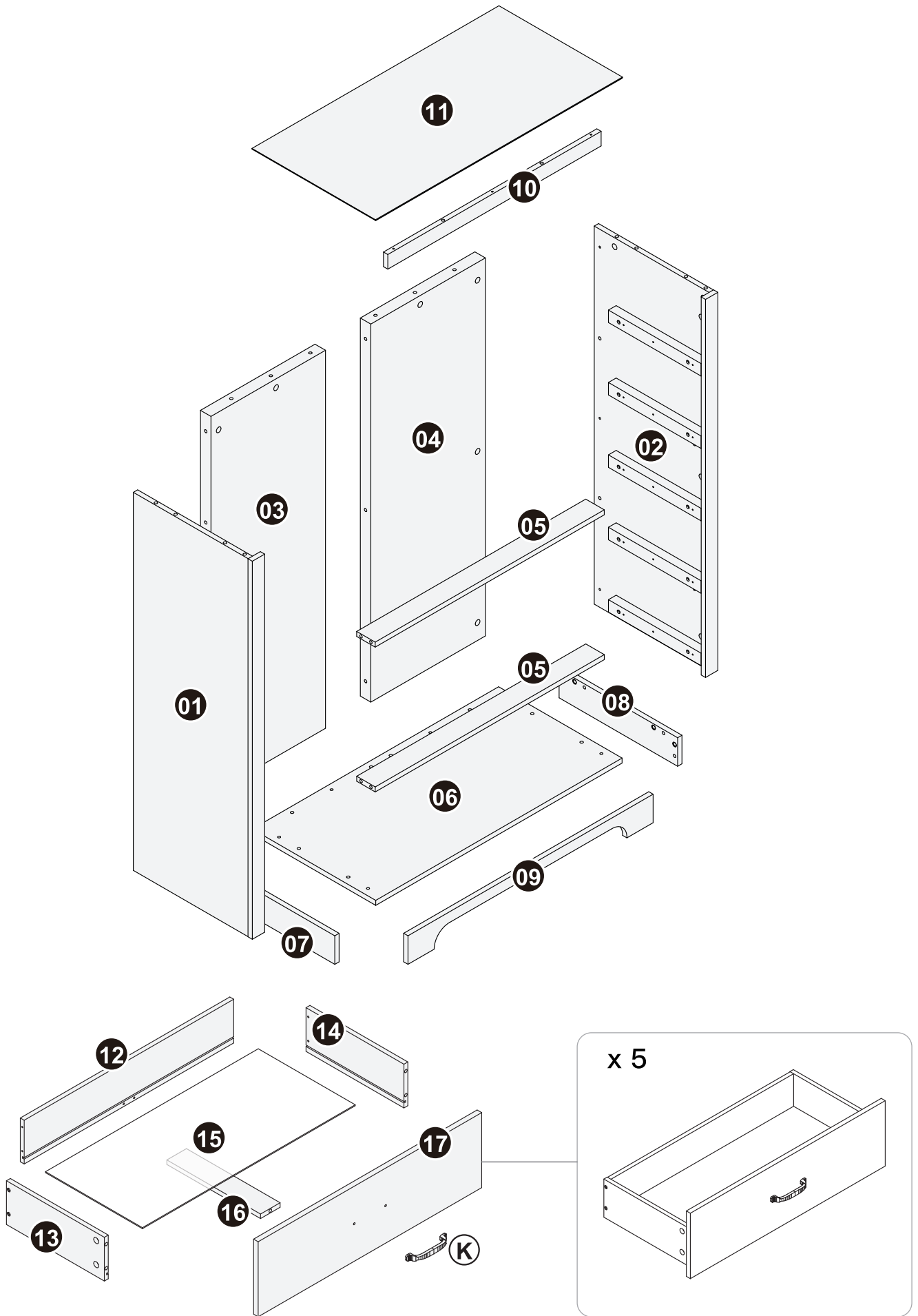
## Using the Cam Lock System

1. Screw cam bolt [A] into the threaded hole on the panel.
2. Connect both panels together. Make sure cam bolt [A] goes into the pre-drilled hole on the end of the panel for cam lock [B1/B2].
3. Insert cam lock [B1/B2] into the large hole on the panel. Make sure the open slot faces the head of the cam bolt [A].
4. Rotate cam lock [B1/B2] clockwise with a Phillips screwdriver to lock the cam bolt [A] in place.



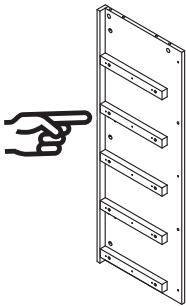
You are now ready to assemble the unit.

# Exploded Drawing



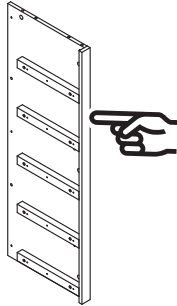
# Supplied Parts and Hardware

01 x 1



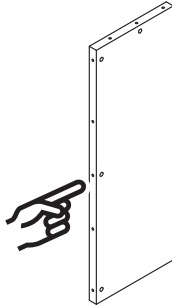
Left Side Panel

02 x 1



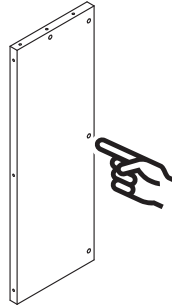
Right Side Panel

03 x 1



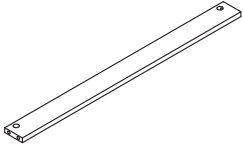
Left Back Panel

04 x 1



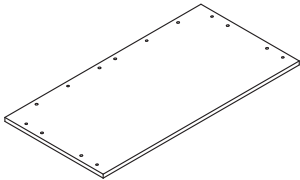
Right Back Panel

05 x 2



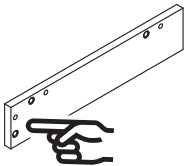
Center Rail

06 x 1



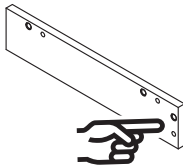
Bottom Panel

07 x 1



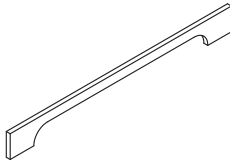
Bottom End Rail (L)

08 x 1



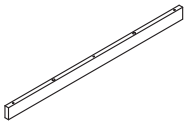
Bottom End Rail (R)

09 x 1



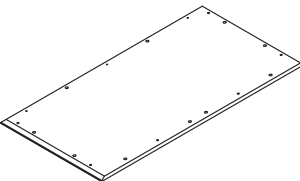
Bottom Front Rail

10 x 1



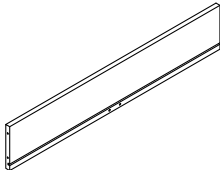
Upper Center Rail

11 x 1



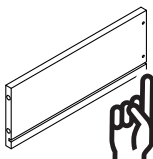
Top Panel

12 x 5



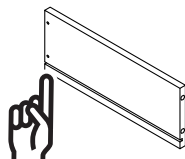
Drawer Back Panel

13 x 5



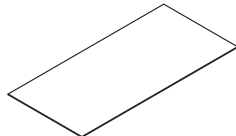
Drawer Side Panel (L)

14 x 5



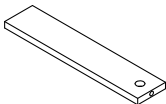
Drawer Side Panel (R)

15 x 5



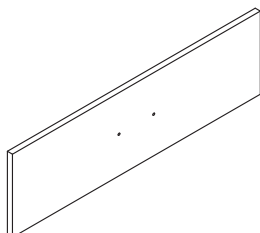
Drawer Bottom

16 x 5



Drawer Bottom Support

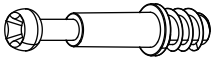
17 x 5



Drawer Front Panel

# Supplied Parts and Hardware

(A) x 41



M6 x 35mm  
Cam Bolt

(B1) x 16



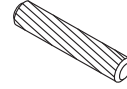
Ø15 x 11mm  
Tall Cam Lock

(B2) x 25



Ø15 x 9mm  
Short Cam Lock

(C) x 29



Ø8 x 30mm  
Wood Dowel

(D) x 60



Ø3.5 x 12mm  
Screw

(E) x 33



Ø4 x 38mm  
Screw

(F) x 6



M6 x 50mm  
Bolt

(G) x 10



M4 x 20mm  
Bolt

(H) x 18



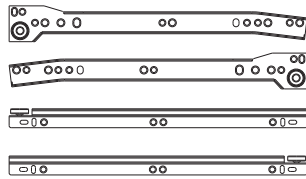
M6 x 12mm  
Bolt

(I) x 1



5/32" (4mm)  
Allen Key

(J) x 5



J1(L) x 5



J1(R) x 5

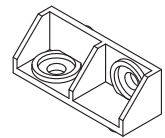


(K) x 5



Drawer Handle

(L) x 9



Connector

Dresser  
Slides

Drawer  
Slides

J2(L) x 5



J2(R) x 5



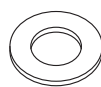
## Anti-Tip Kit



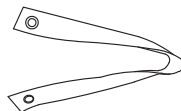
Screw  
x 2



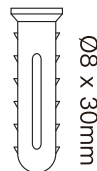
Screw  
x 2



Washer  
x 4



Strap  
x 2



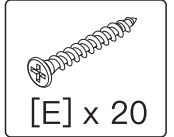
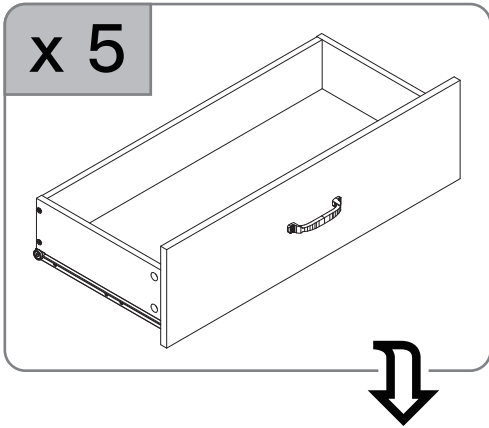
Wall Anchor  
x 2

**CAUTION!**

This wall anchor is for concrete ONLY. DO NOT use them in drywall or wood studs.

# Step 1

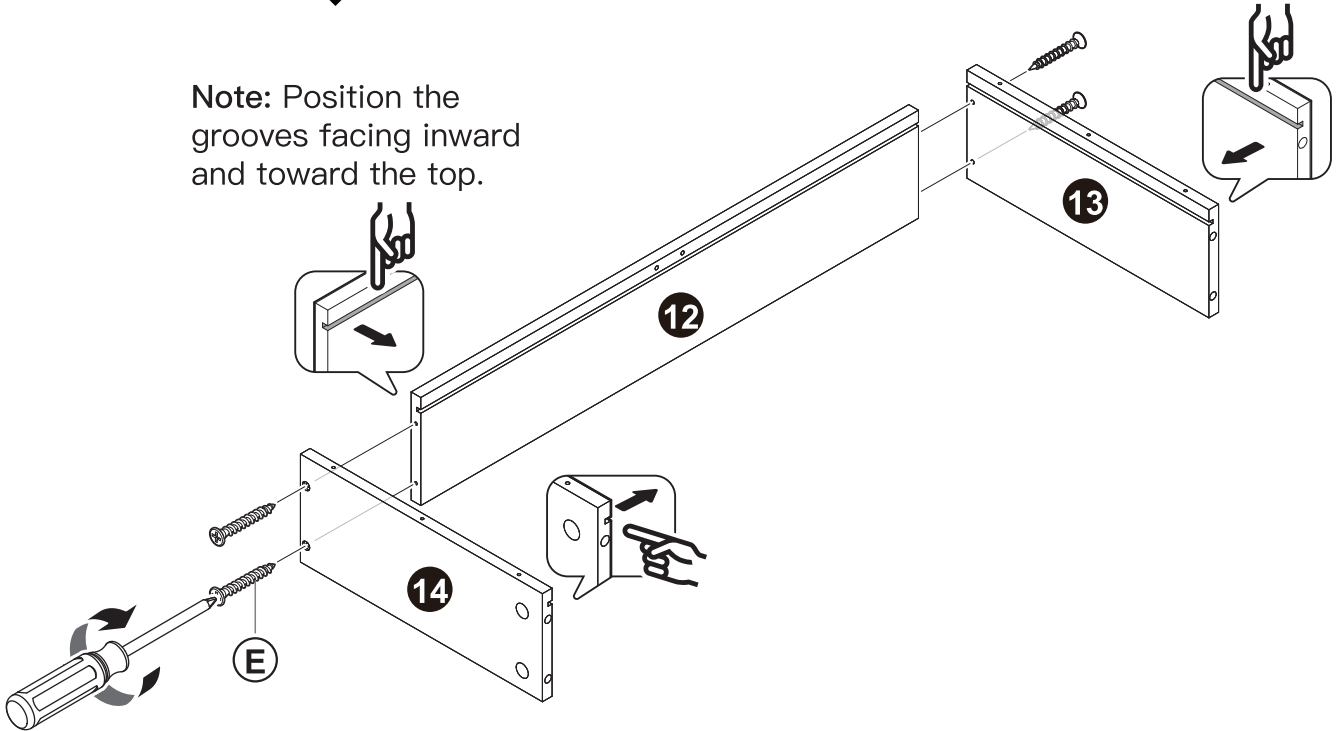
Parts and Hardware



[12] x 5 [13] x 5 [14] x 5



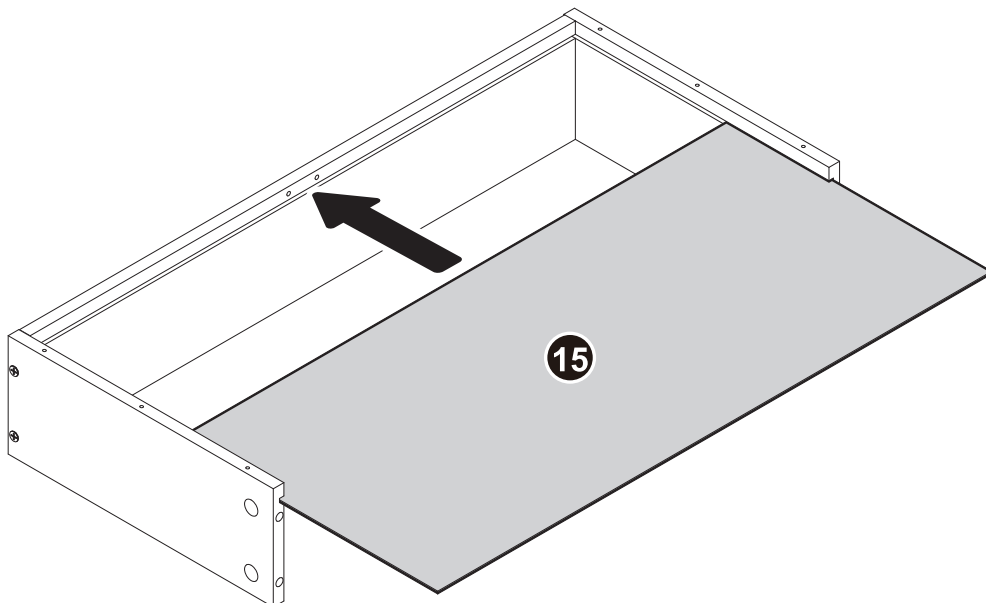
Note: Position the grooves facing inward and toward the top.



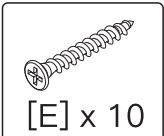
Parts and Hardware

x 5

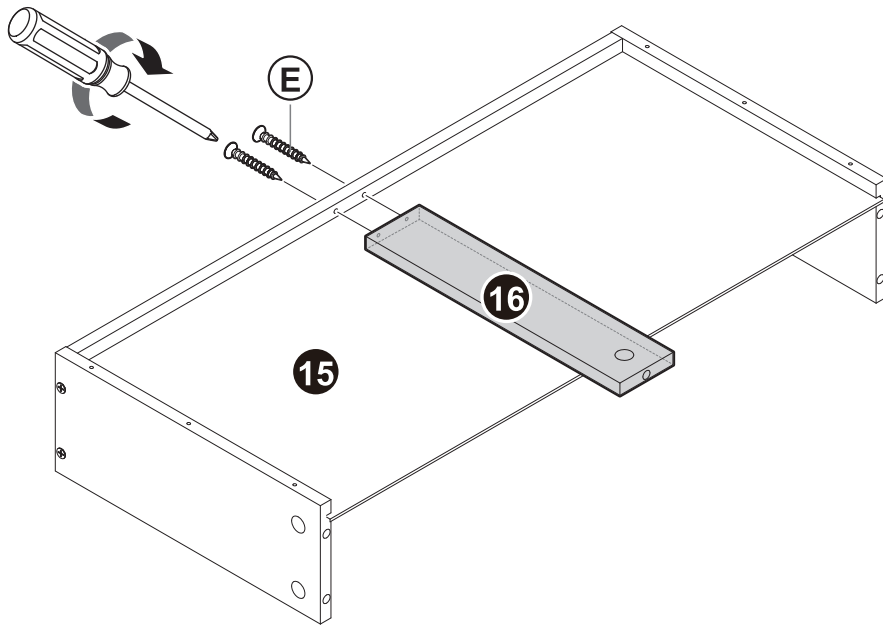
[15] x 5



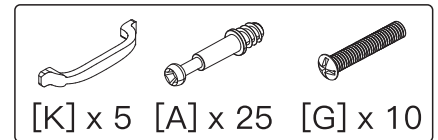
x 5



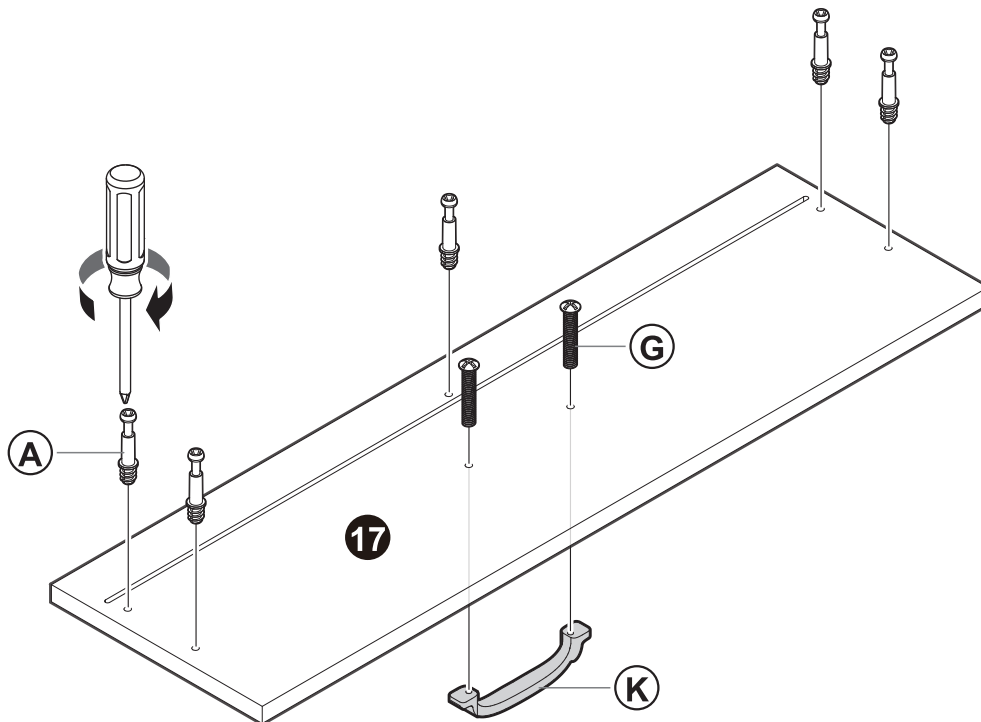
[16] x 5



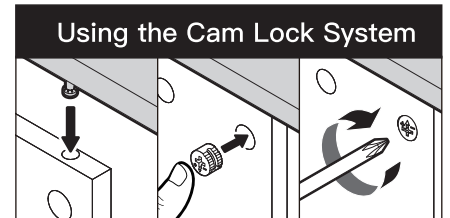
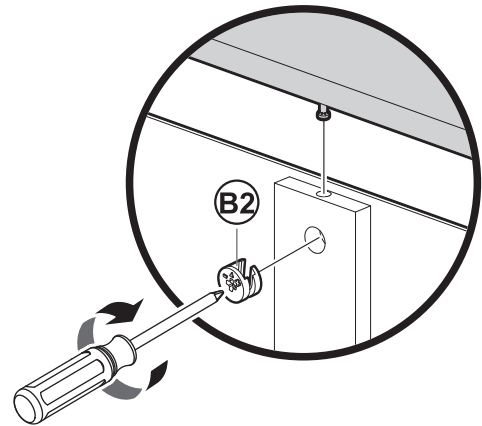
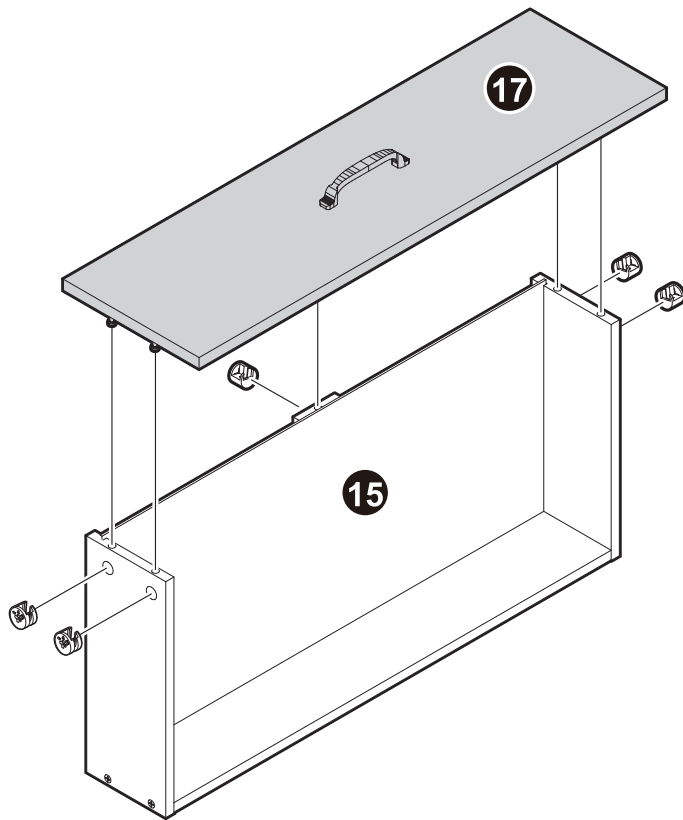
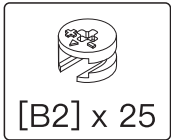
x 5



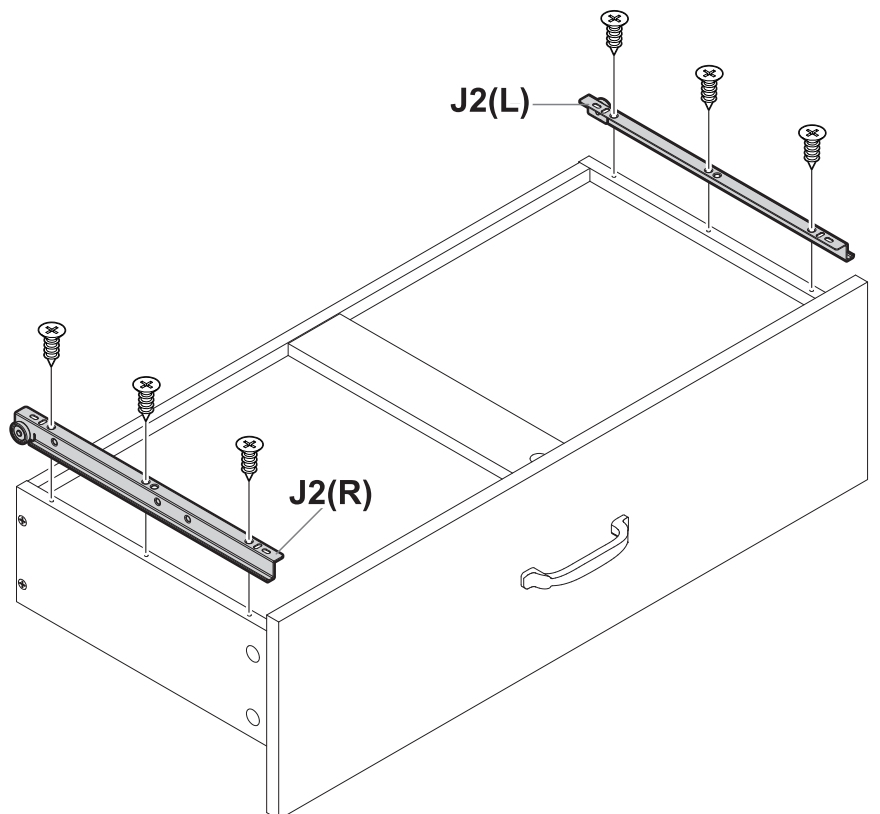
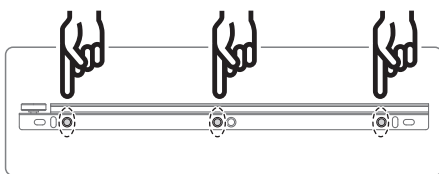
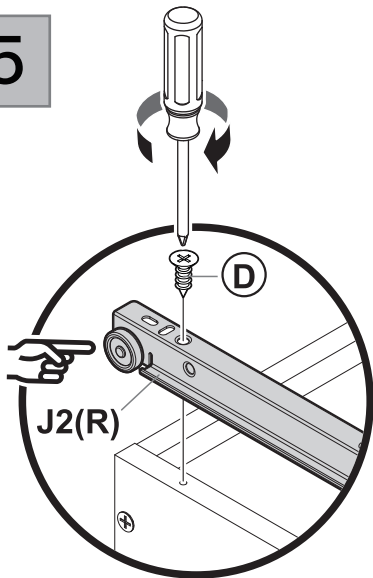
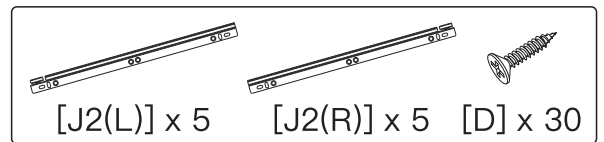
[17] x 5

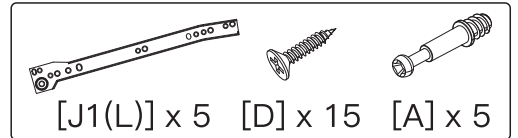


x 5

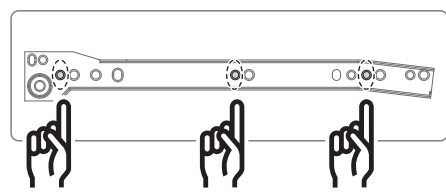
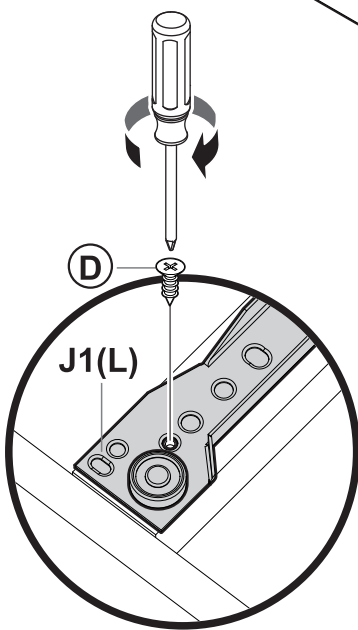
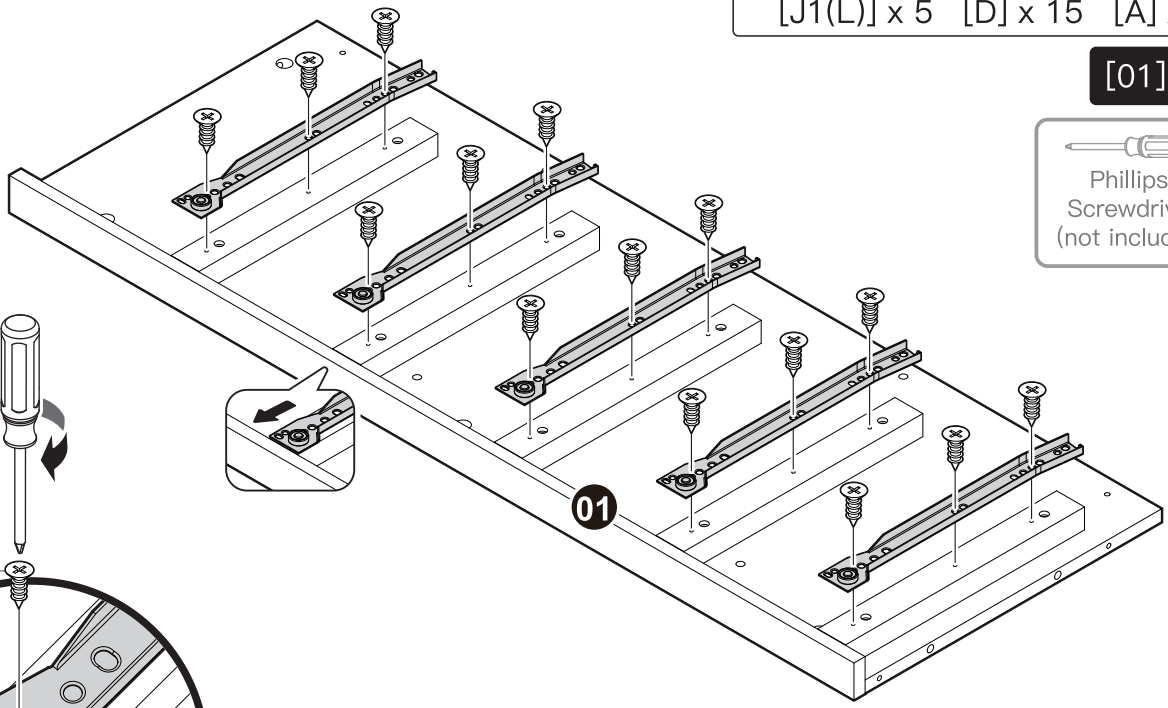


x 5

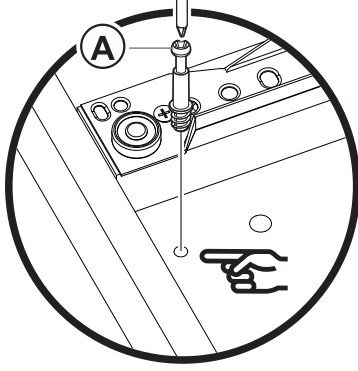
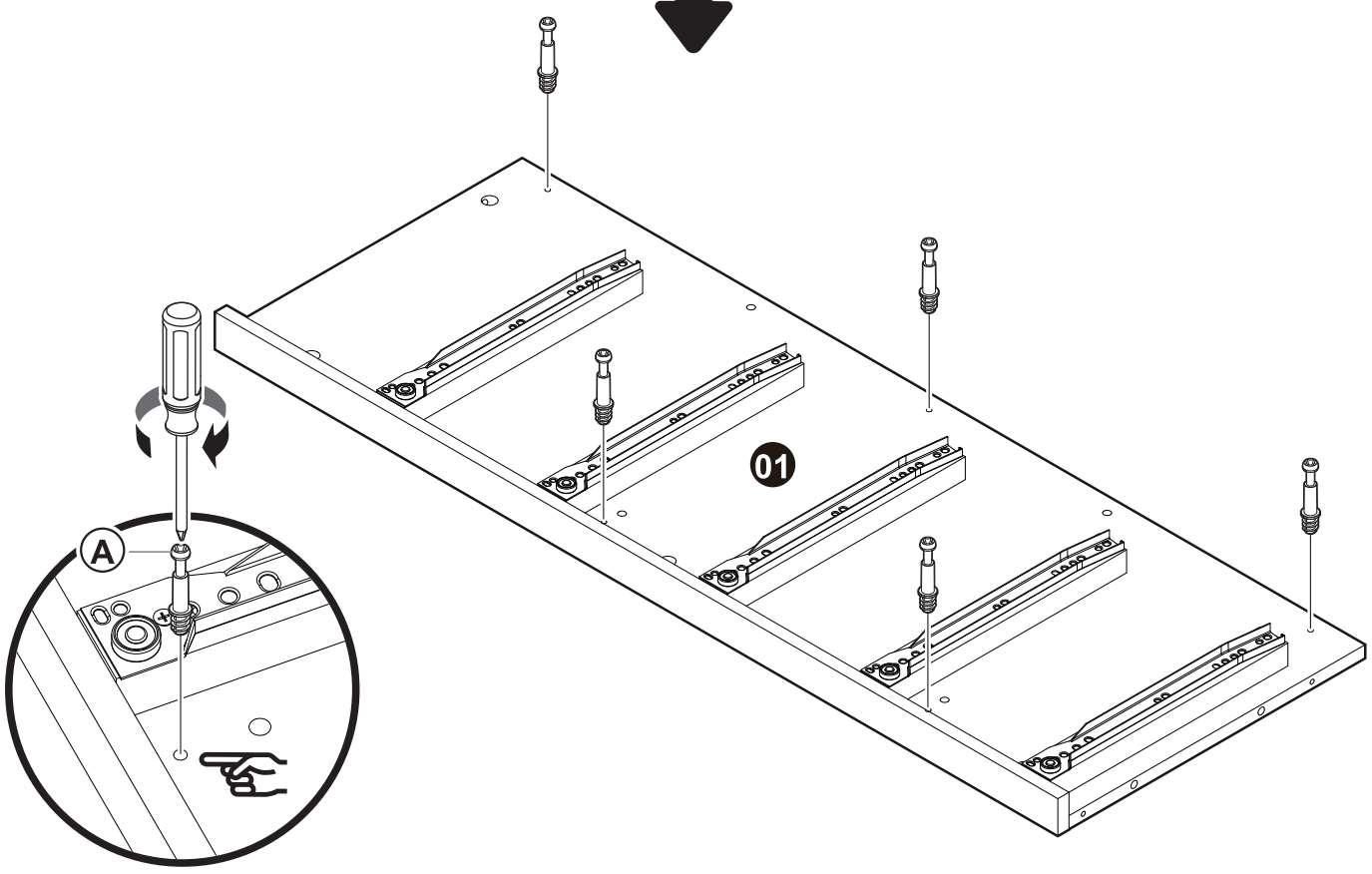


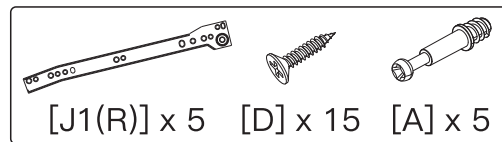


[01] x 1

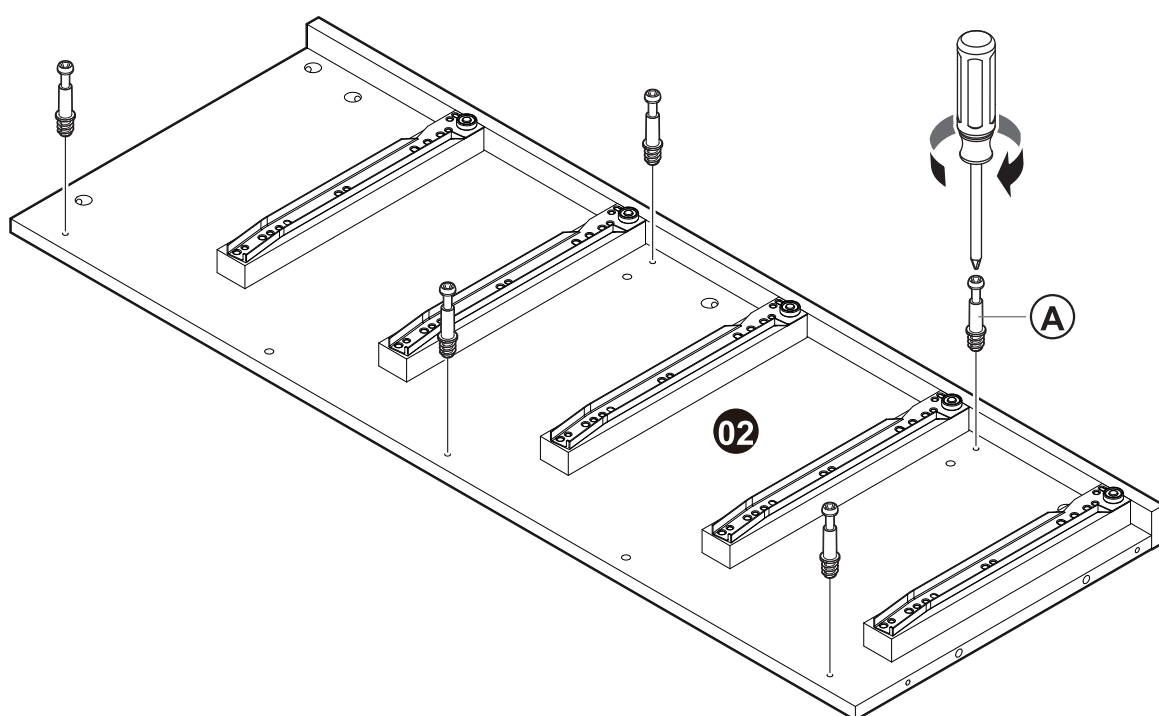
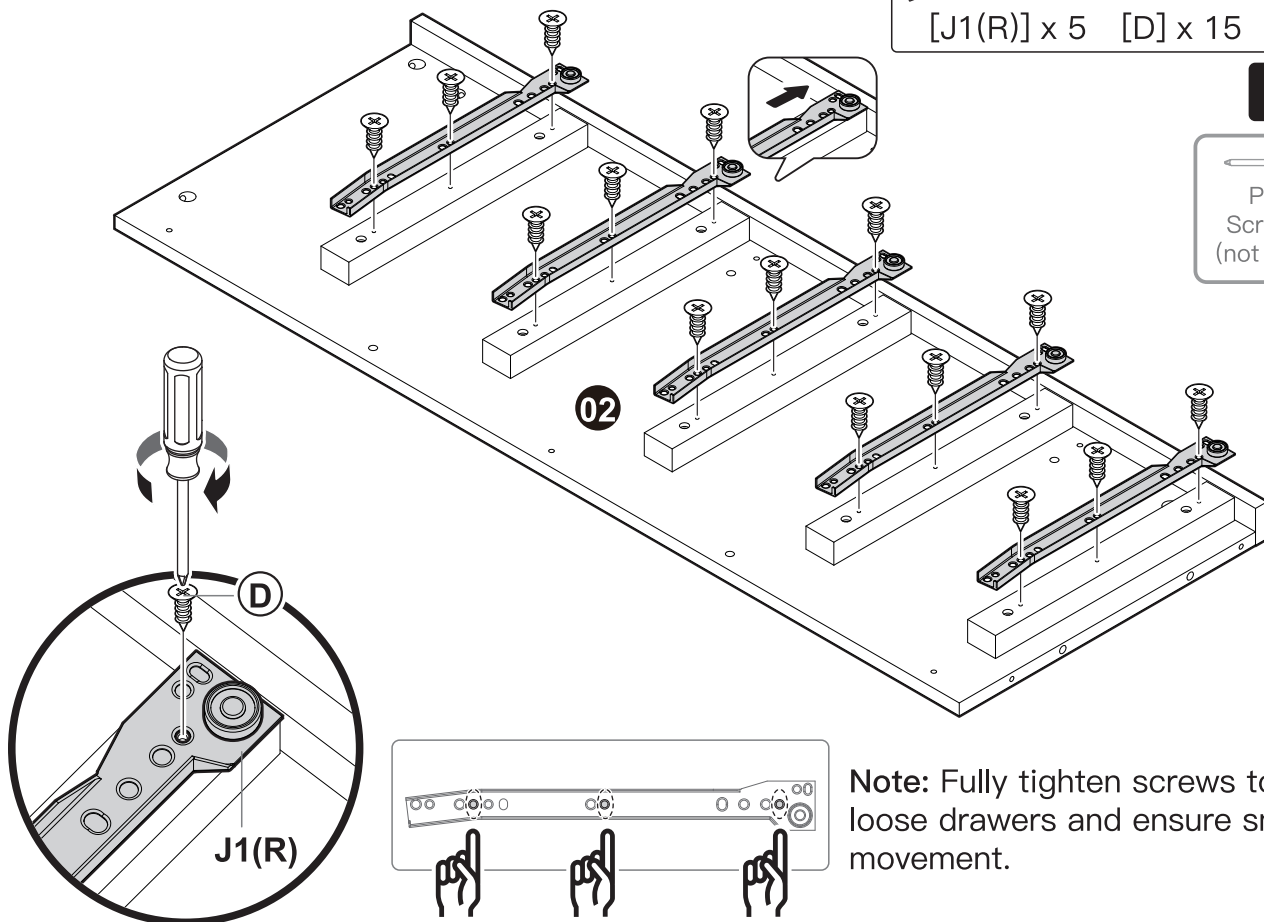


Note: Fully tighten screws to avoid loose drawers and ensure smooth movement.



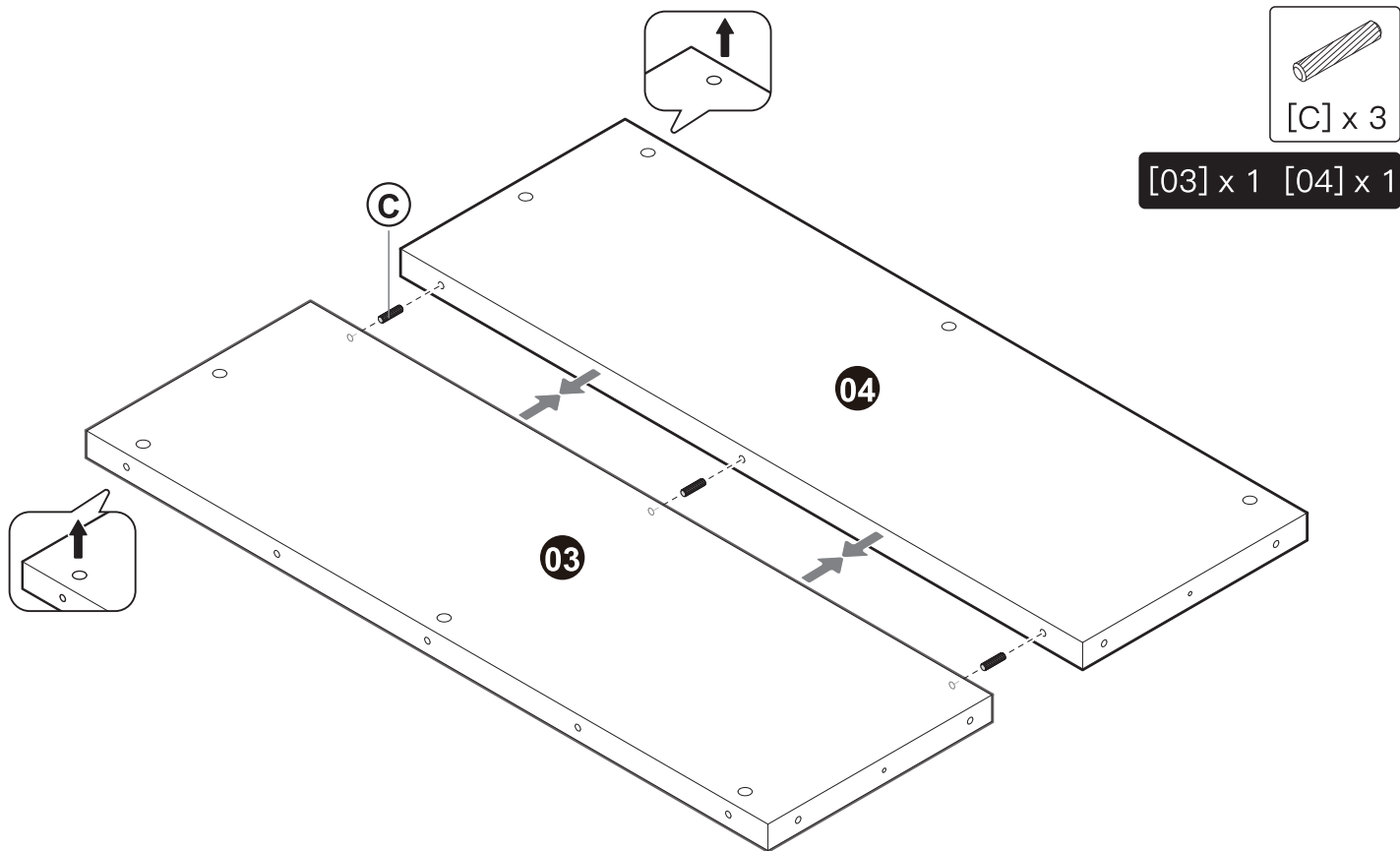


[02] x 1

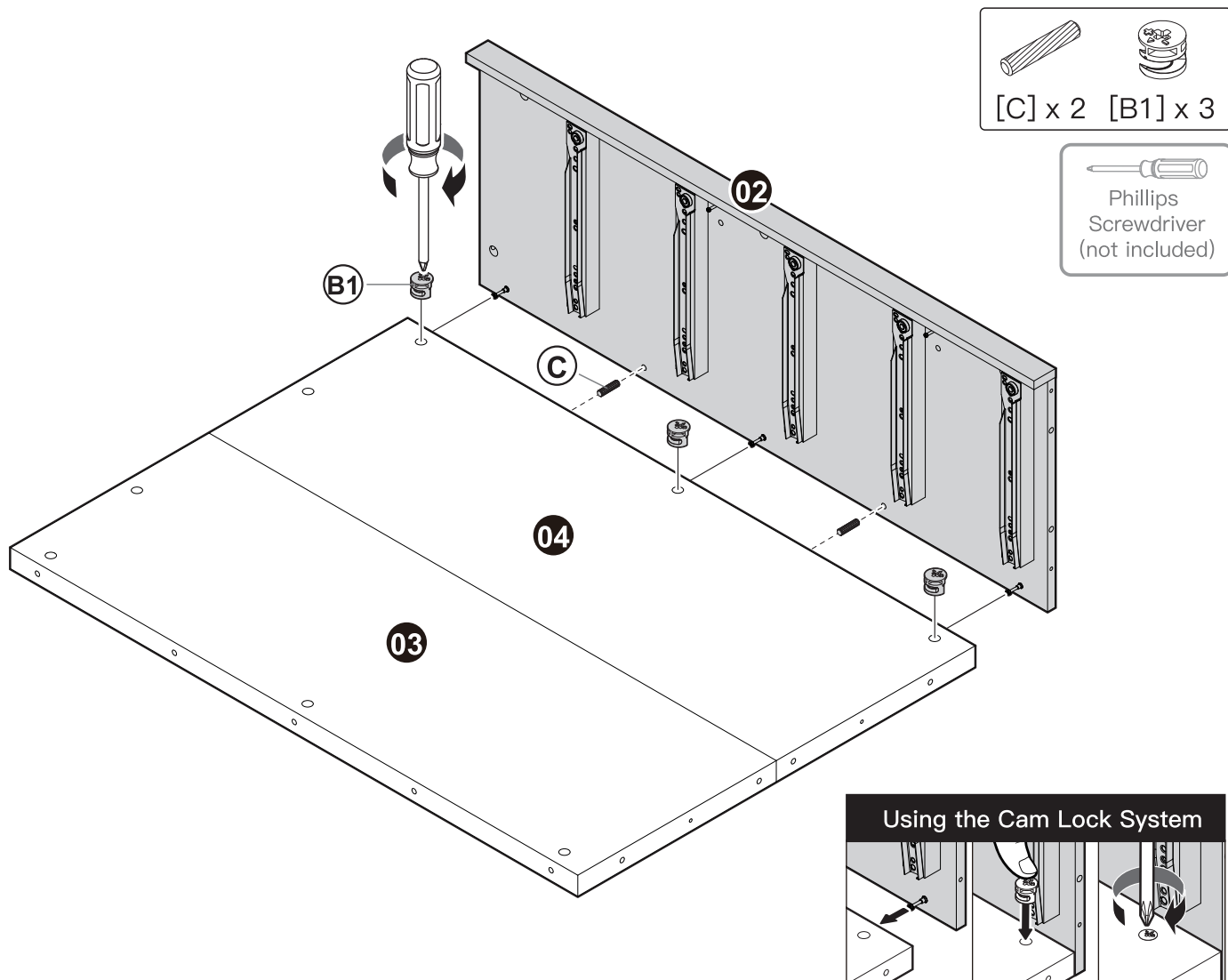


# Step 4

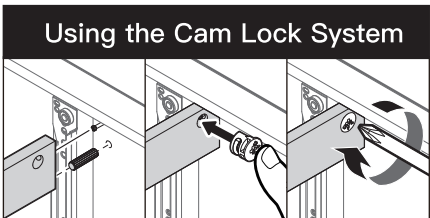
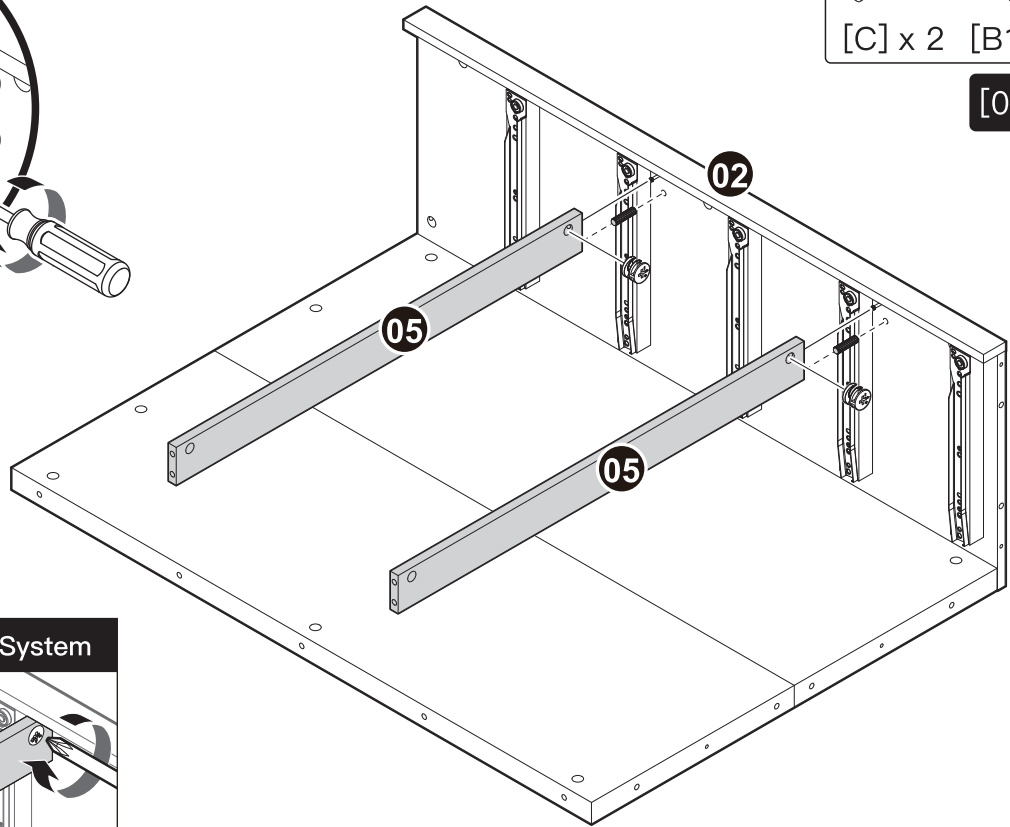
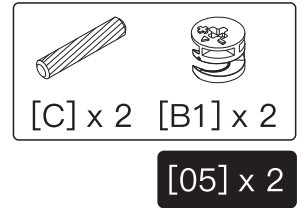
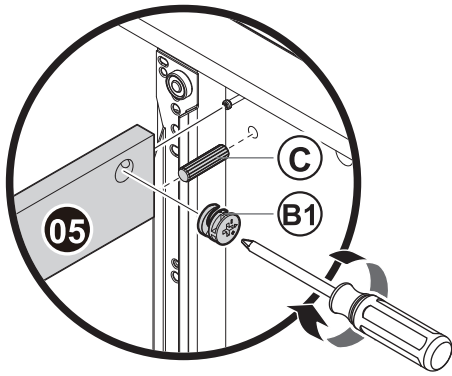
Parts and Hardware



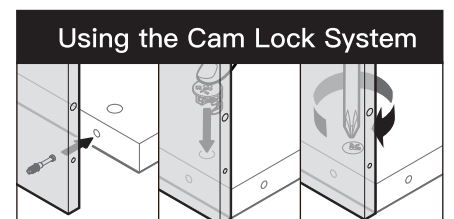
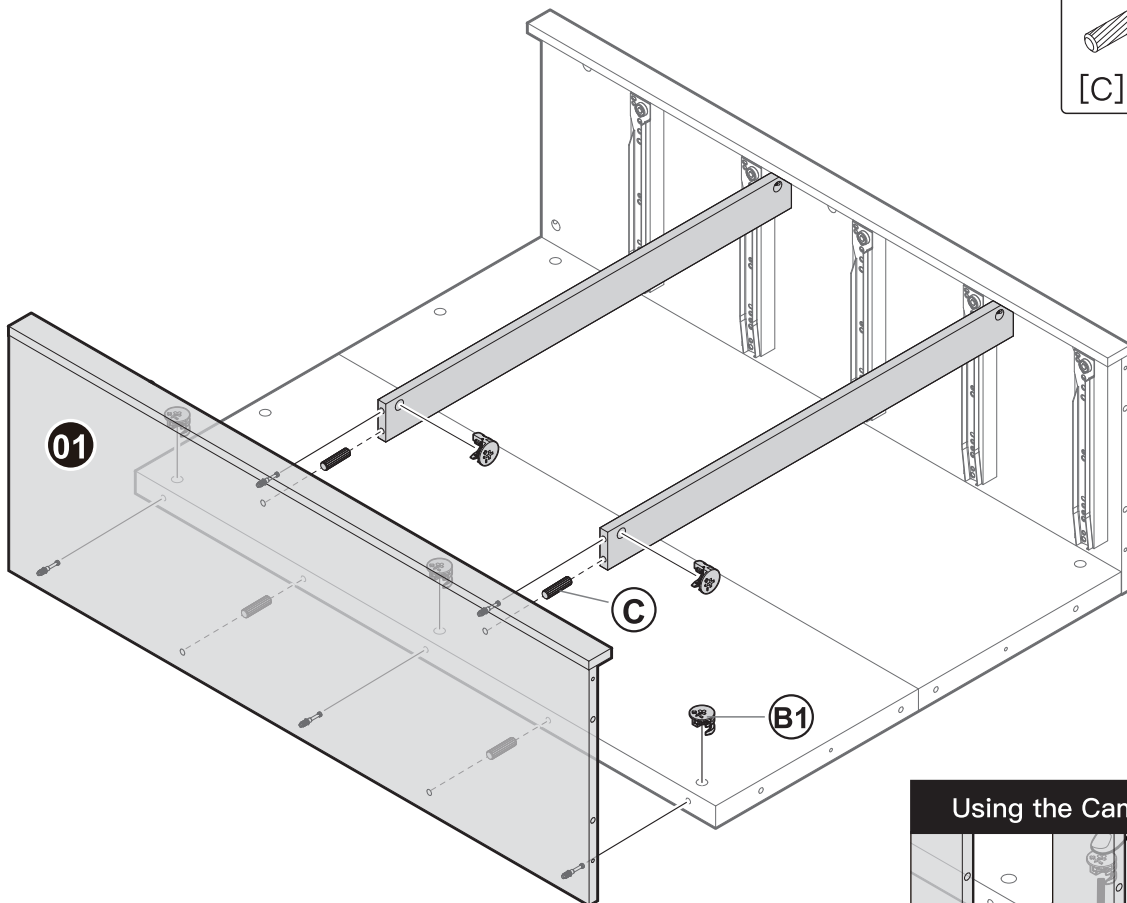
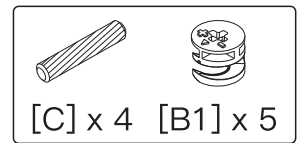
Parts and Hardware

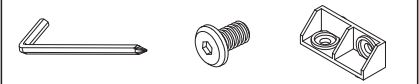


Parts and Hardware



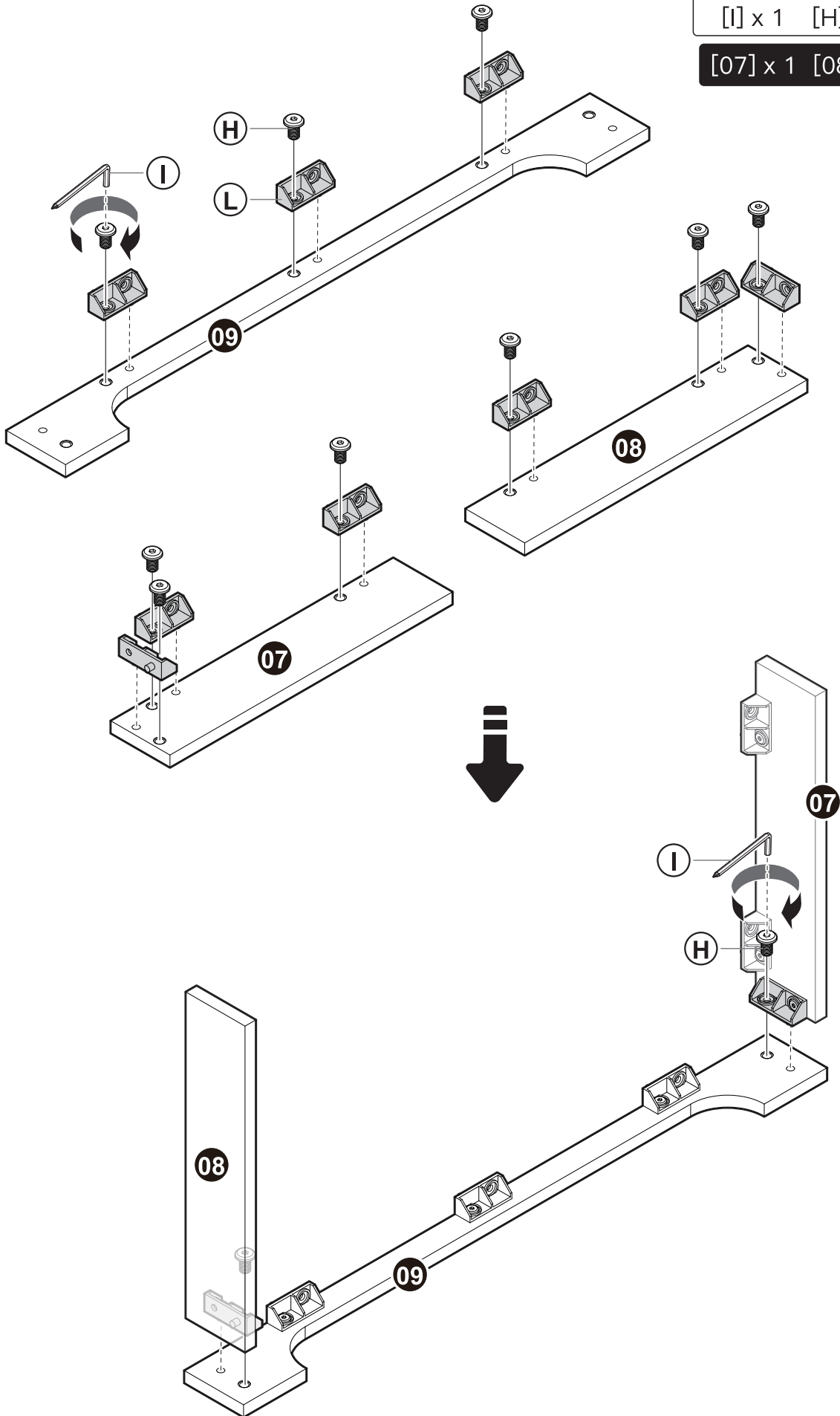
Parts and Hardware

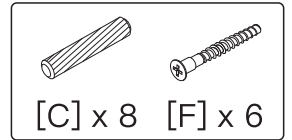




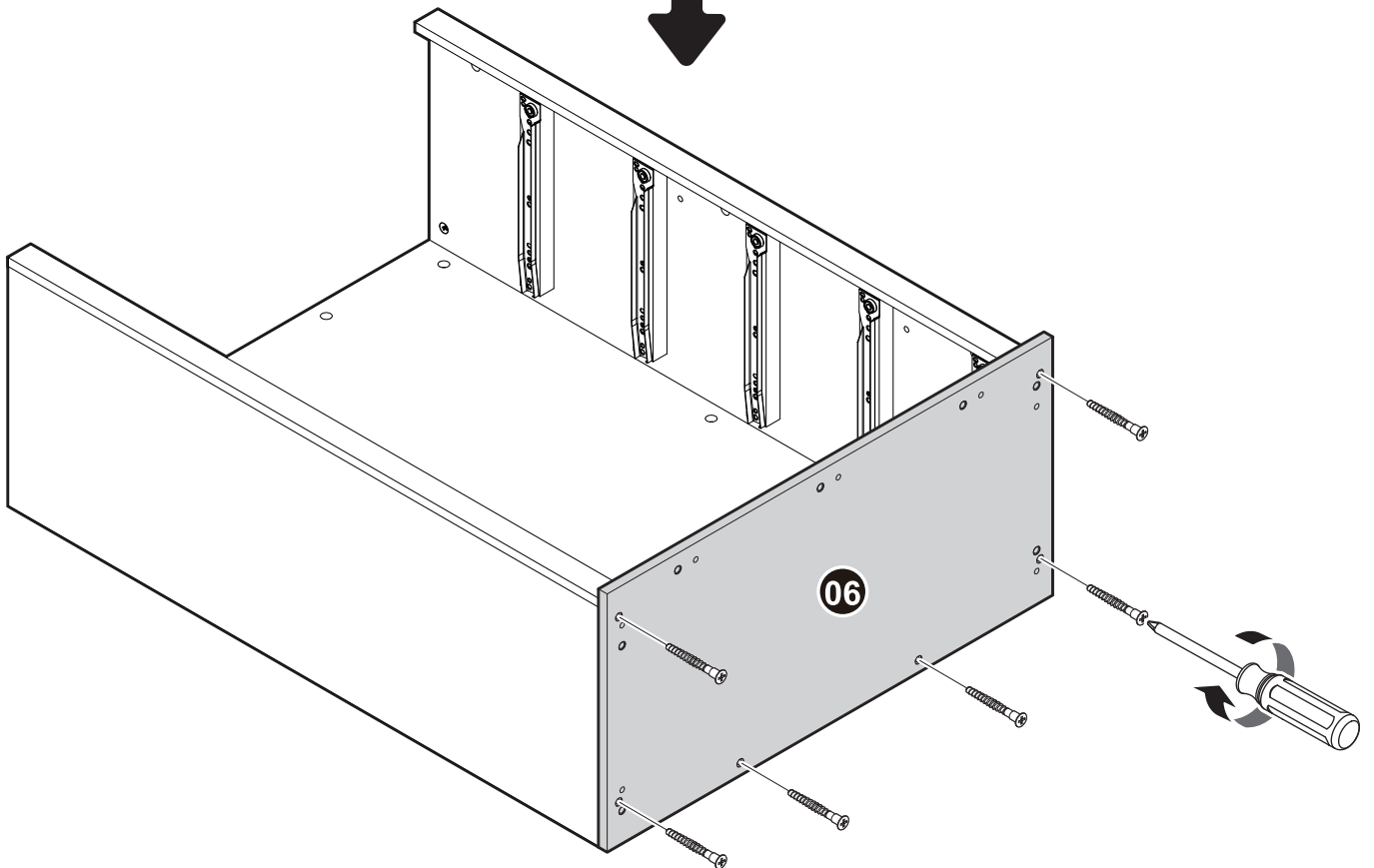
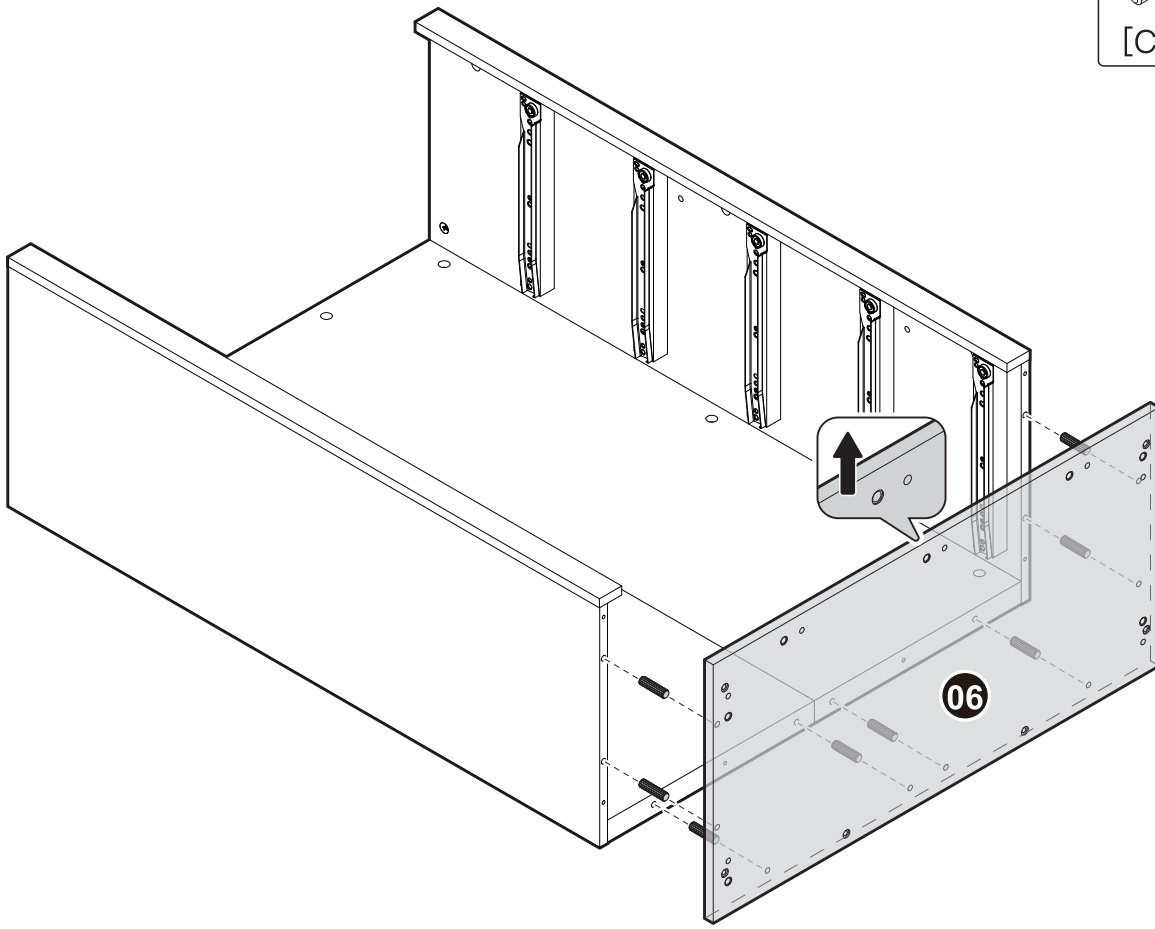
[I] x 1 [H] x 11 [L] x 9

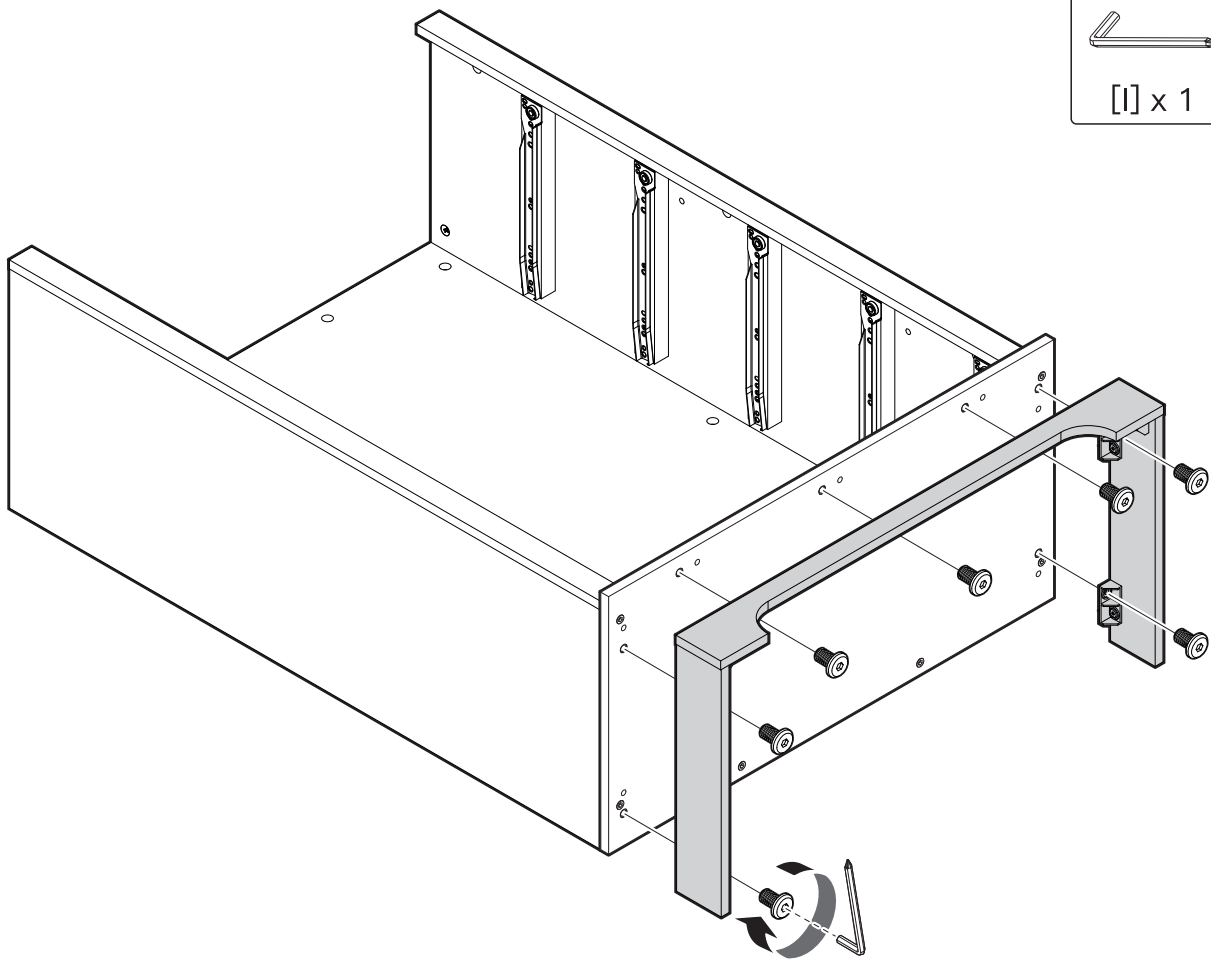
[07] x 1 [08] x 1 [09] x 1







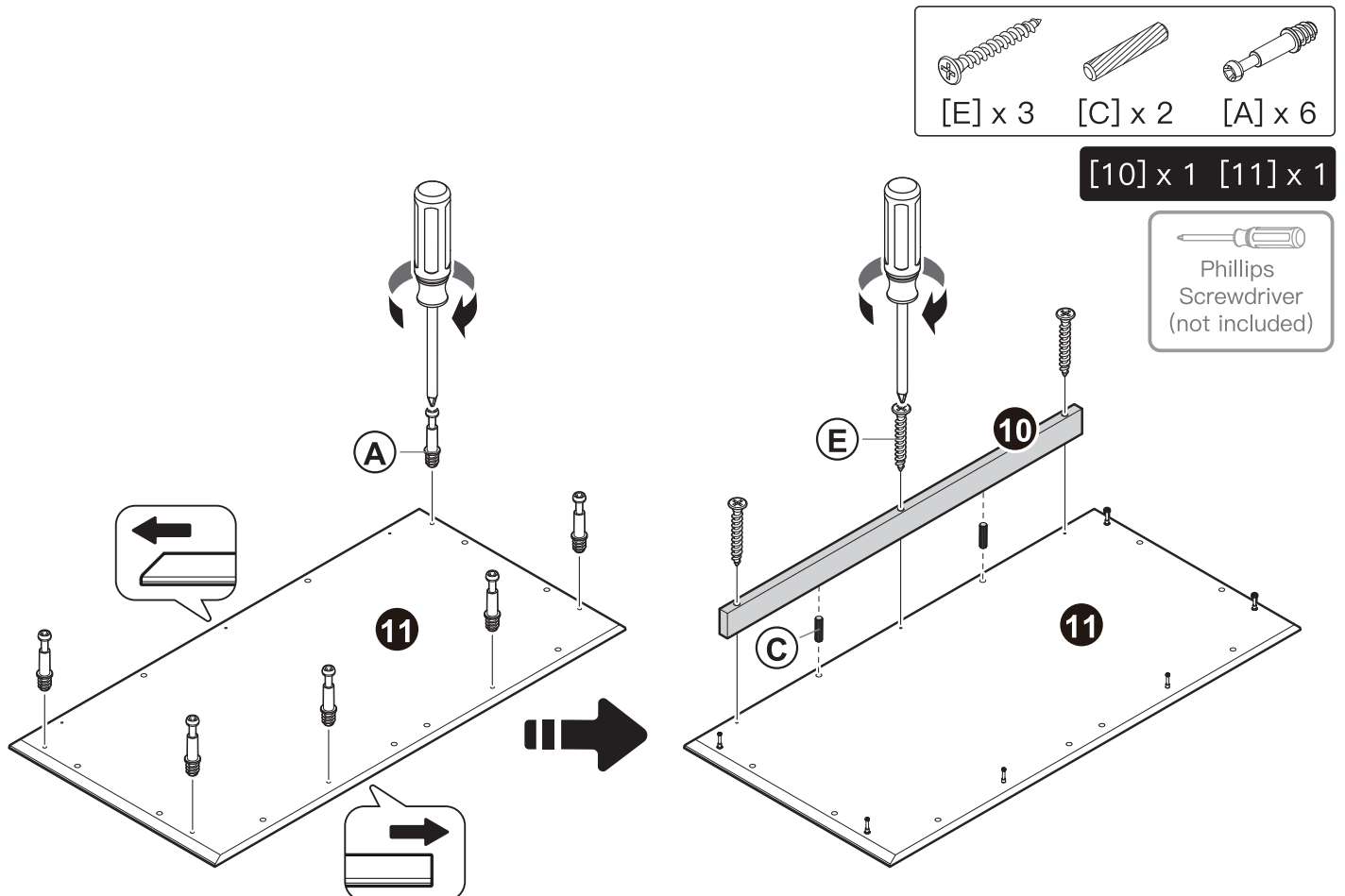
[06] x 1

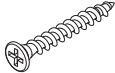
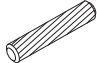
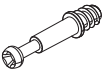




-  [I] x 1
-  [H] x 7

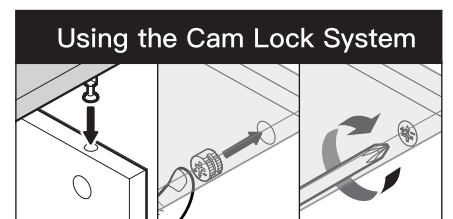
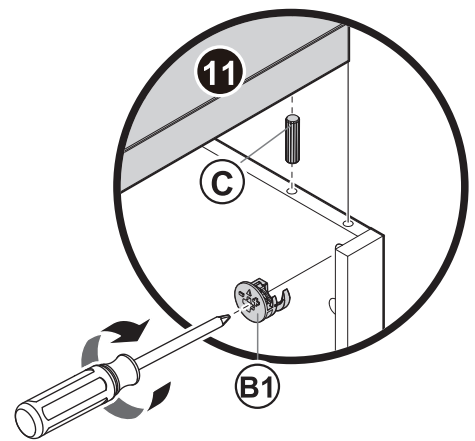
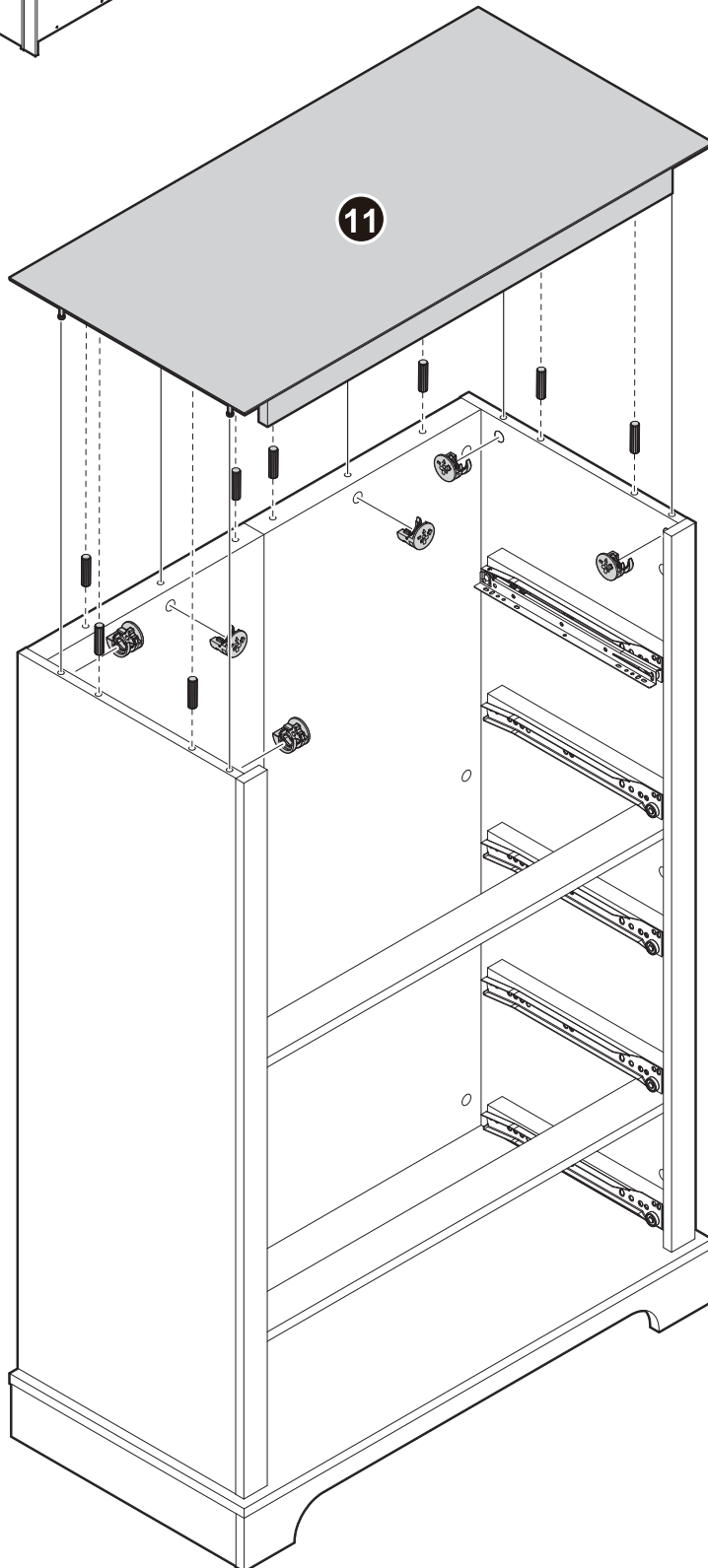
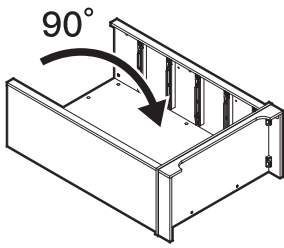
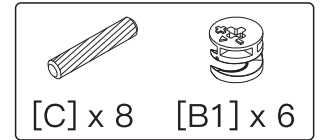
## Step 6

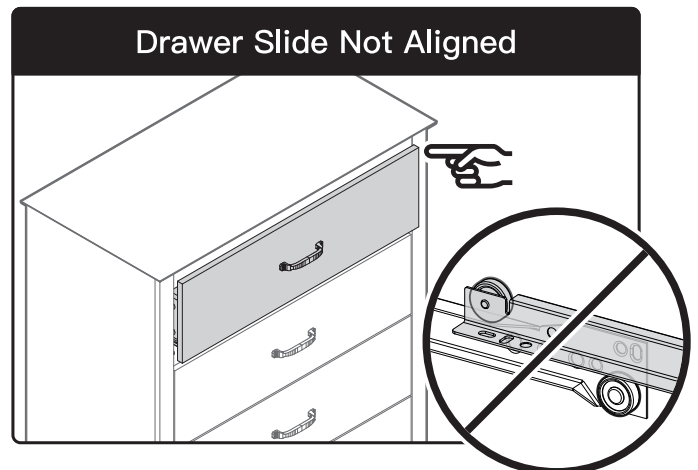
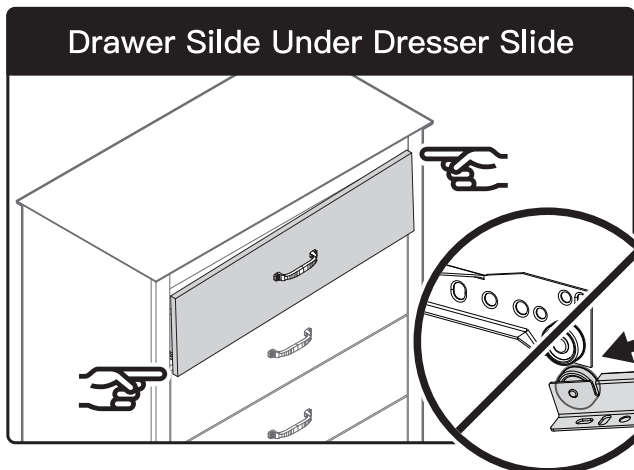
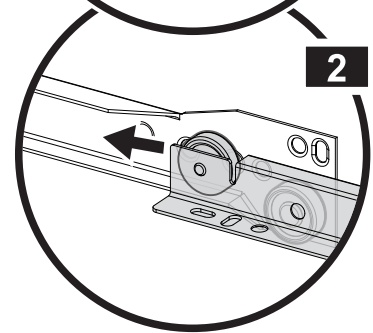
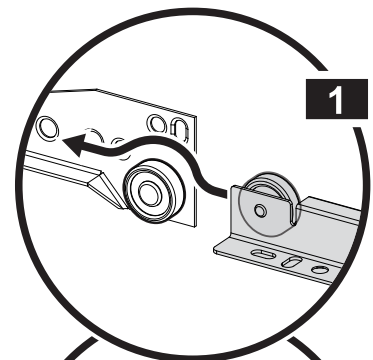
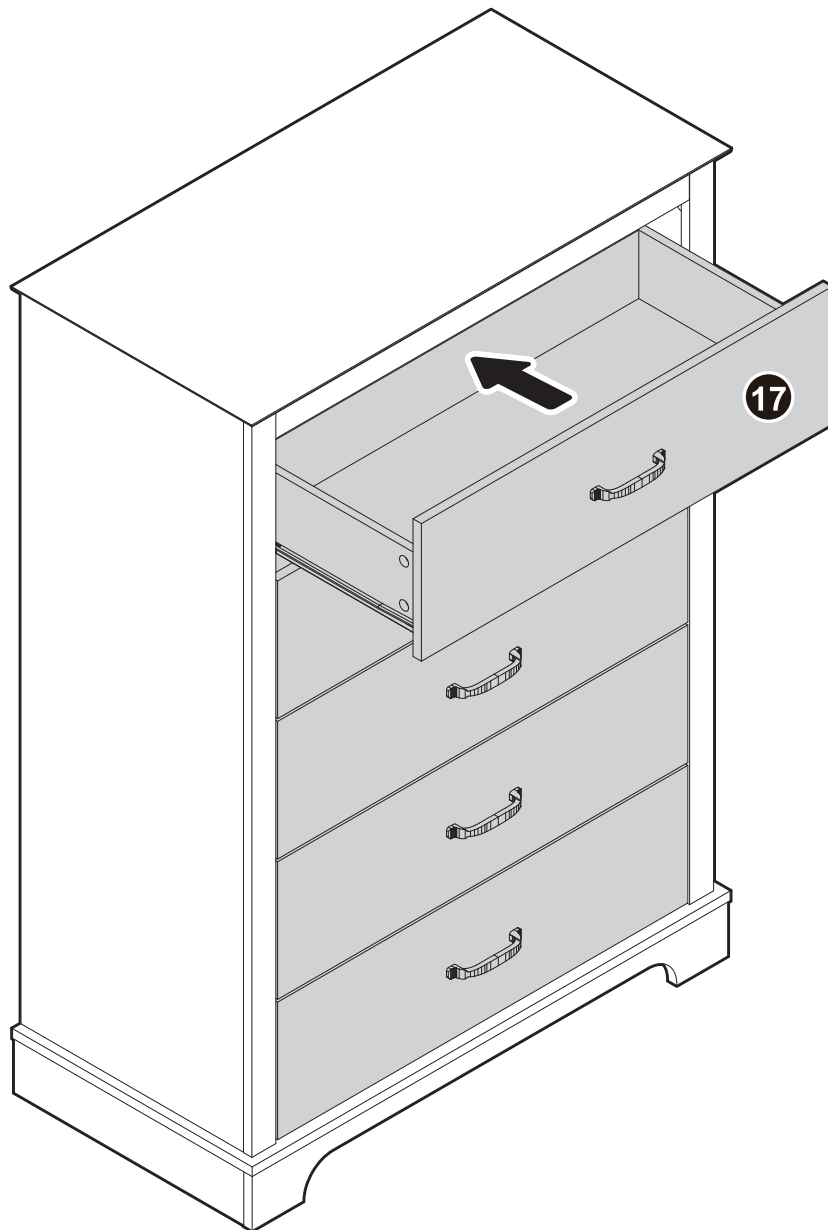


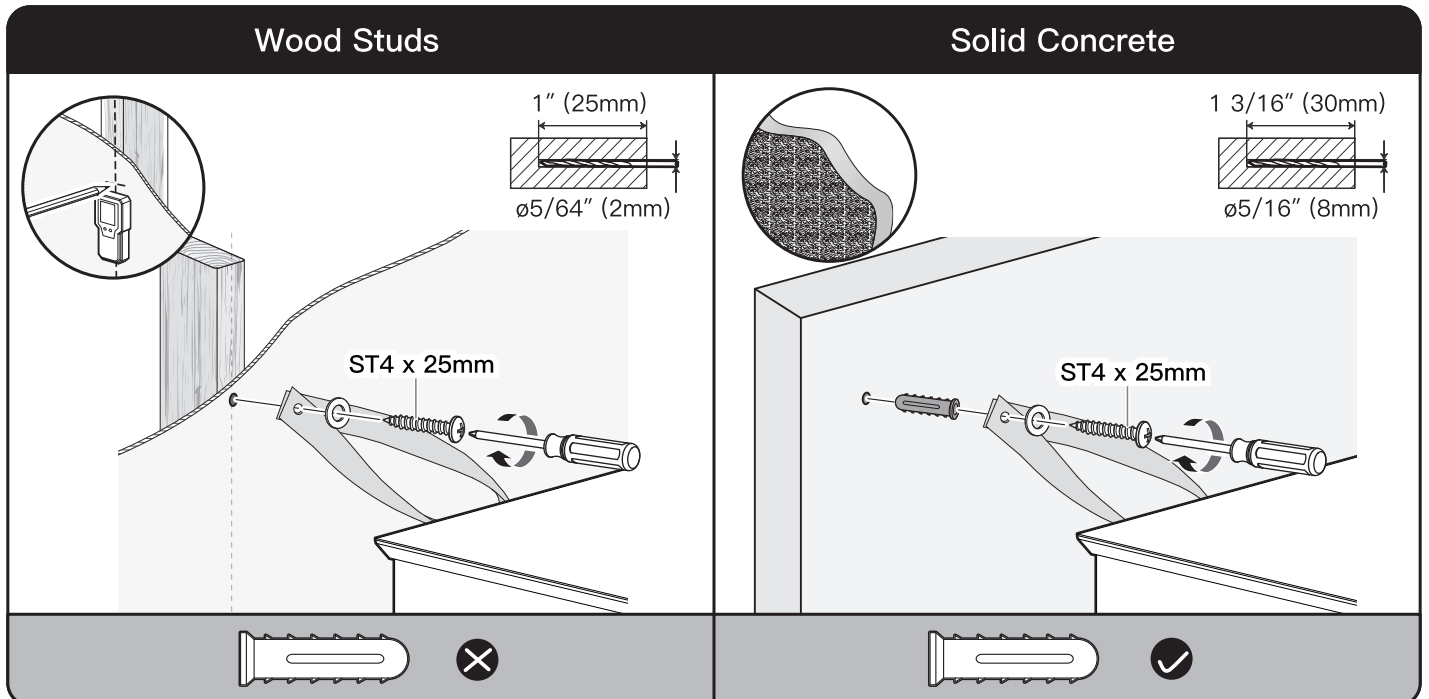
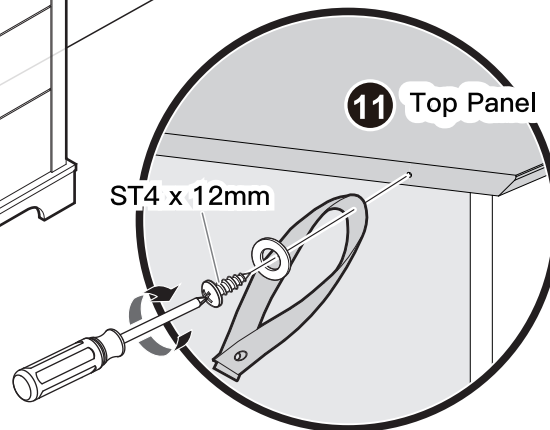
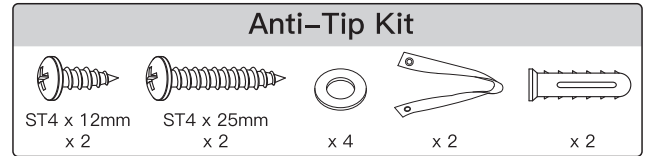
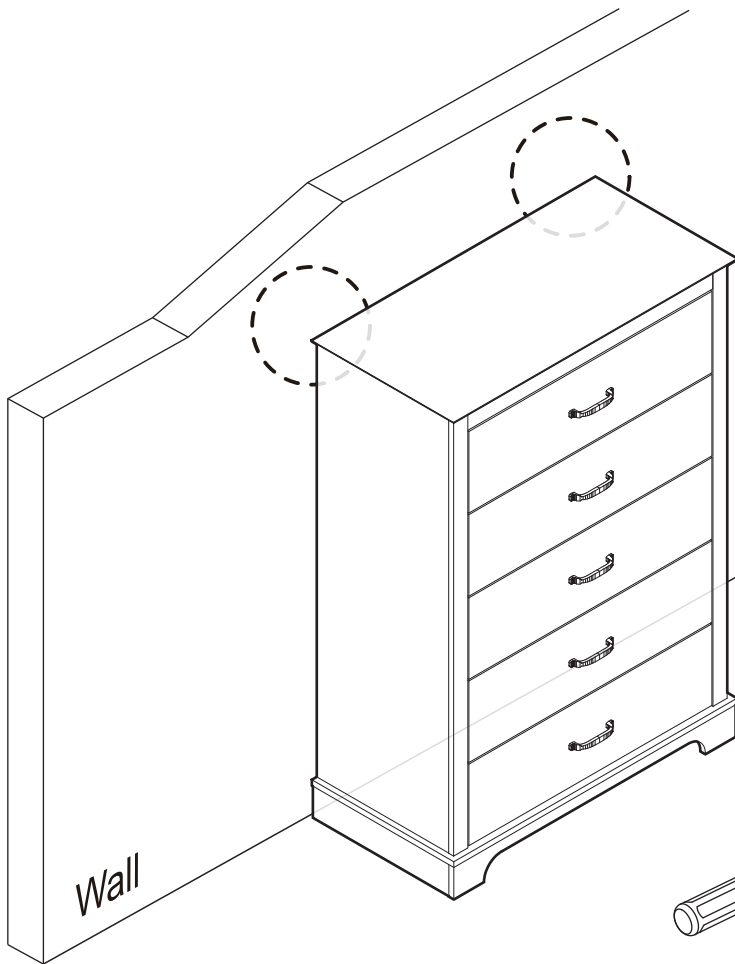
-  [E] x 3
-  [C] x 2
-  [A] x 6

-  [10] x 1
-  [11] x 1

  
Phillips  
Screwdriver  
(not included)







## Installation Instructions:

1. Secure the strap to the top of the dresser using a short screw.
2. Determine where the dresser is to be placed. If you have a wood stud wall, locate a stud using a stud finder and mark the centerline.
3. Drill pilot holes in the wall at the appropriate height.
4. Secure the strap to the wall using long screws and washers. (Note: Use wall anchors for solid concrete. Do not use them on wood studs.)