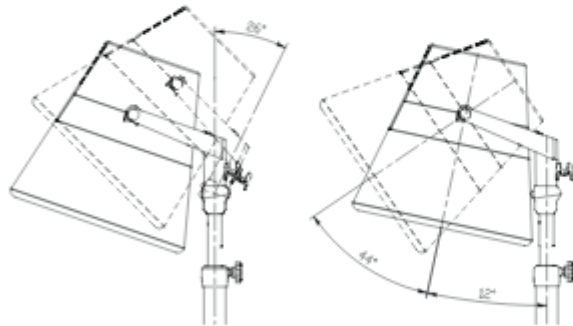


FILTER INSTALLATION

1. Before starting the machine, check if the filter cotton is installed. If not, please do not use it. Report to the manufacturer or seller.
2. Filter cotton should be cleaned regularly.



1. Assembled the machine as shown in the installation instructions.
2. Make sure that the voltage used is the same as the rated voltage of the product.
3. To achieve the best comfort, helmet can be adjusted to different angles, as shown below :



4. Press the main power switch:
 - When working program is ready, initial mode: time display 25 minutes; temperature display: sixth gear; the wind speed: first gear; the ion mode is off.
 - If the customer defaults to the initial mode, press the start/stop button to start the machine; customer needs to adjust the working time, press the time to increase the key; adjust the working temperature, press the "Temperature adjustment button -" to lower the temperature. File; each time you press the "Temperature adjustment button + " to raise a temperature level. ;

5. When machine is running
 - Machine warm up time 2 mins, light stops flashing after 2 mins. The indicator light on the headset will turn on.
 - After 2 mins, the machine will be on working mode, the time display shows the remaining time.
 - When remaining time shows 10 mins, the indicator light will light up green.
 - When remaining time shows 1 min, the indicator light on the headset will indicate red and green lights at the same time. And it does not generate heat and send air. Apart from the main power switch, all keys will be locked.
6. Change the working program during operation
 - Time, temperature, and wind speed can be changed during operation.
7. End of work mode
 - After the work is finished, the time display becomes "0", the time electronic alarm beep 3 times, and the indicator light on the headset will light up in green.

WARRANTEE CARD

Thank you for purchasing our product. From the date of purchase, you will have three months of free repair after sales service due to quality problem, but not due to man-made damage. ATTENTION! When selling the goods, customers and distributors shall fill in the warrantee card, giving machine model number and sales date. After confirming body parts, customers will have free repair after-sales service.

Manufacturer :
WAVE (CHINA) LTD
Manufacture Date :
QA:
Agent :
Model:
Machine Body No.:
Date of Purchase:
Contact Name:
Contact Number:
Contact Address:
Repair Item:

ayc

AYC Group LLC
1036 S Jupiter Rd | Ste 200
Garland, TX 75042
Email: sales@aycllc.com
www.aycllc.com



MYI-DRY-136 MYI-DRY-236

INSTRUCTION MANUAL



 Berkeley

Thank you for choosing this quality product from WAVE. To get the most out of your new machine, we recommend that you read the instruction manual before using the machine. Please keep this instruction manual in a safe place near the product so that you can find safety instructions and important information handy.

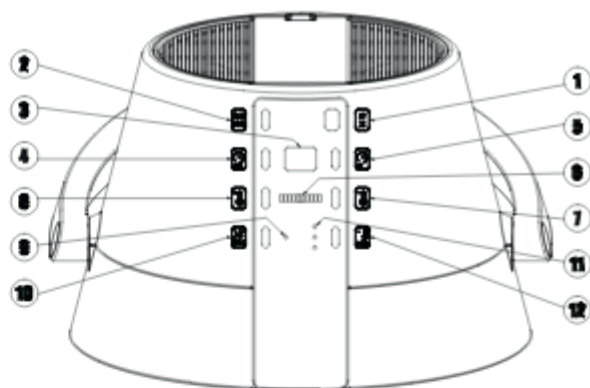
TECHNICAL PARAMETERS

220-240V ~ 50/60HZ 1000W
110-120V ~ 50/60HZ 1000W

READ THE INSTRUCTIONS BEFORE USING THE MACHINE

1. Ensure the correct voltage is been used on the product.
2. Operating environment: room temperature between 5°C to 25°C; no more than 95% relative humidity.
3. Do not insert metal objects into the machine to ensure user safety.
4. Do not use in flammable gases, objects and similar environments to avoid electric shock.
5. After the power is turned on, if abnormal conditions are found, please send it to the maintenance department or find a professional to repair it. Do not disassemble and repair it yourself.
6. Do not pull the power cord to pull out the power plug. Please grasp the power plug and pull it out; do not move the product by pulling the power cord and grabbing the head of the machine. It is strictly forbidden to use outdoors.
7. It is strictly forbidden to bend, stretch or bump the power cord. If the power cord is damaged, it must be replaced by the manufacturer, its service department, or a similarly qualified person to avoid danger.
8. When it is found that the machine is damaged due to the drop, or the internal electrical parts of the machine can be seen. Please do not attempt to connect the power supply. You must inform the manufacturer or supplier immediately.
9. This device is not intended for use by children unless it is used safely under the direction or assistance of a person with safety responsibility.

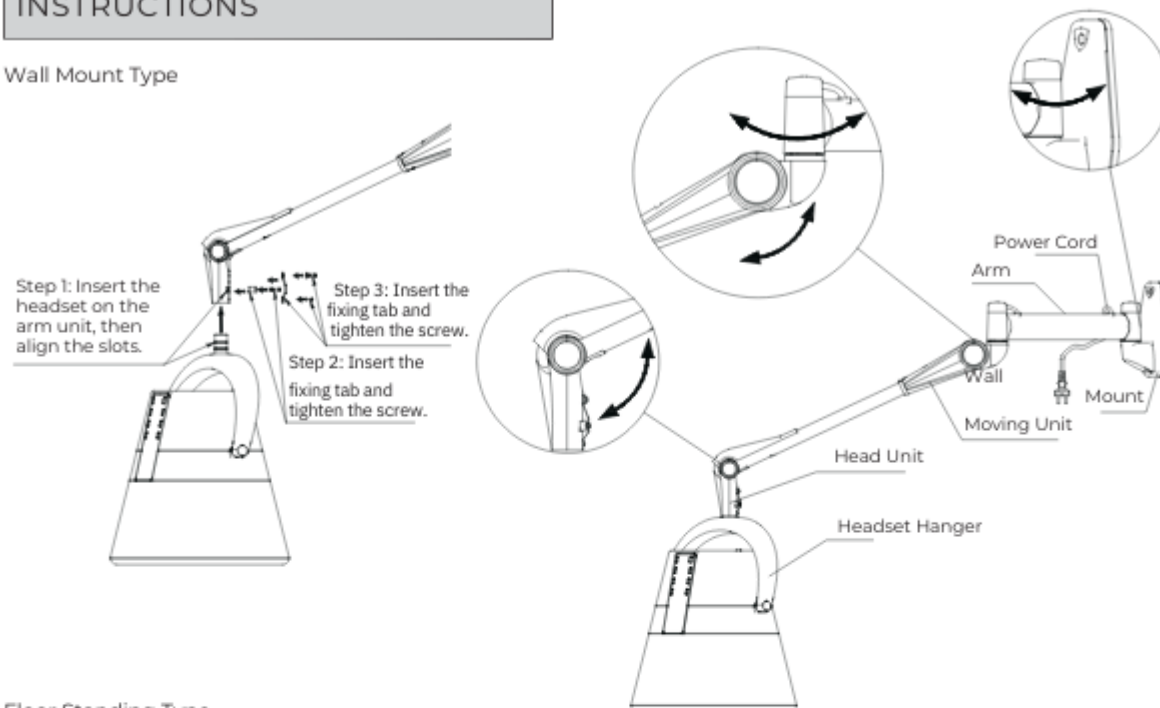
CONTROL PANEL



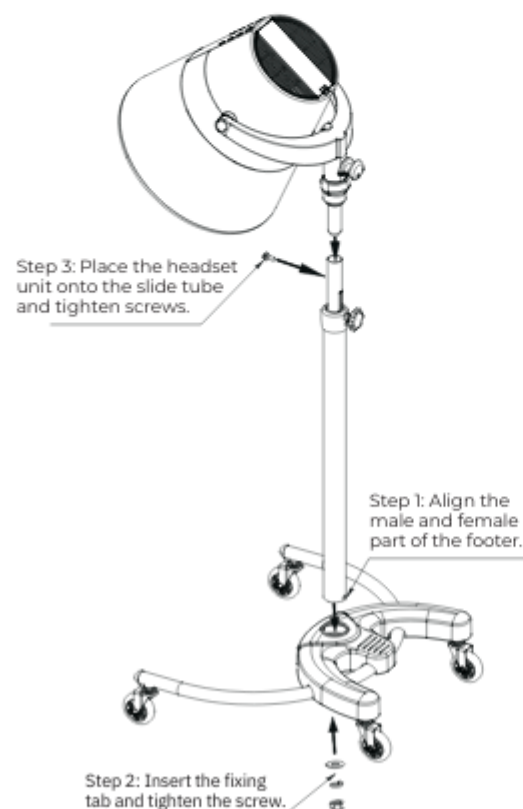
- (1) Main power switch
To turn on or off the machine.
- (2) Start/Pause button
After turn on the machine, set the time, temperature and other programs. Press this button to enter the working mode. You may press this button to pause the machine, the time display will flash, and the machine will not display the first gear.
- (3) Time display
It shows the working time, max. time 60 minutes.
- (4) Time increase button +10
Each time you press it, it will increase 10 minutes; if the display time is 60 minutes, continue to press this button to change the time to 10 minutes.
- (5) Time increase button +1
Each time you press it, it will increase 1 minute; if the display time is 60 minutes, continue to press this button to change the time to 1 minute.
- (6) Temperature display
Total of 6 set temperatures.
- (7) Temperature adjustment button -
This button is used to decrease the temperature.
- (8) Temperature adjustment button +
This button is used to increase the temperature.
- (9) Ion display
When the light is on it indicates ion mode is turned on.
- (10) Turn on/off ion mode
Press this button to turn on or off the ion mode.
- (11) Wind speed adjustment button
Press this button to change the wind level, total of 3 levels.
- (12) Wind speed display
It shows the speed of wind mode.

MACHINE INSTALLATION INSTRUCTIONS

Wall Mount Type



Floor Standing Type



CARE INSTRUCTIONS

1. The inner cap can get dirty easily, please clean regularly. Chemicals such as hair dyes can cause dysfunction.
2. Wipe clean with a soft, dry cloth when cleaning. If water splashes on the panel, immediately wipe it off with a dry cloth, otherwise the machine will malfunction.