

YMX-15

Accessories list

2 Seater sofa on the right A

① Right seat frame (1)	② Right backrest (1)	③ Back cushion (2)
④ Seat cushion (2)	⑤ Head restraint bracket (1)	

2 Seater sofa on the left B

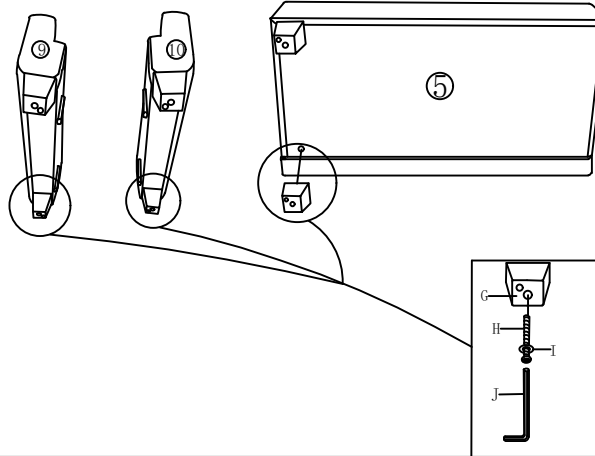
⑤	⑥	⑦	⑧
④	⑤	⑥	A

B	C	D	E	F
---	---	---	---	---

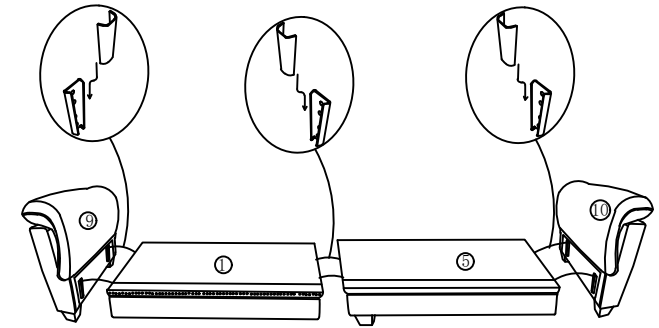
Ottoman carton C

⑨	⑩	⑪
⑫	⑬	G
H	I	J
		K

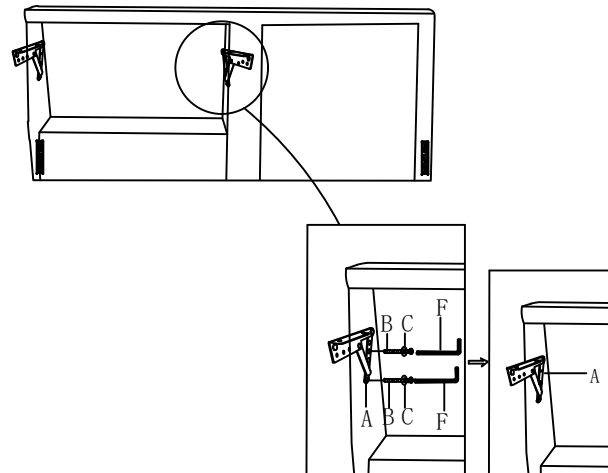
STEP 1:
Install the sofa feet on sofa base part ⑤, left and right armrests



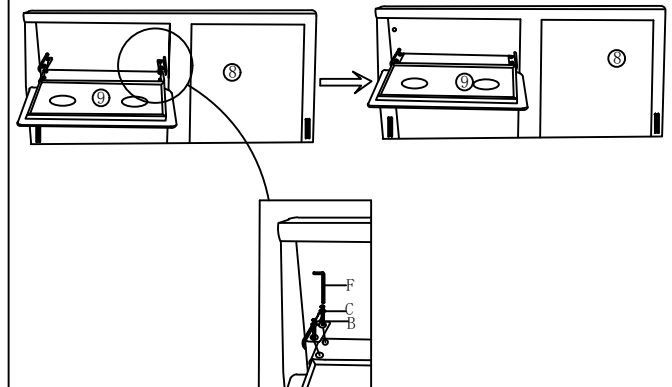
STEP 2:
Insert double seat frame into left and right arm, Insert part ① into part ⑤



STEP 3:
Install the coffee table hardware onto the backrest frame

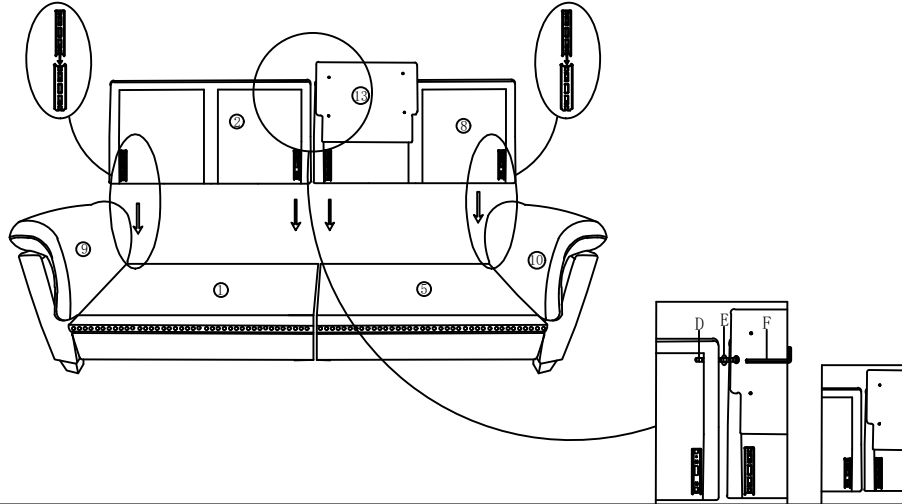


STEP 4:
Install the coffee table onto left backrest



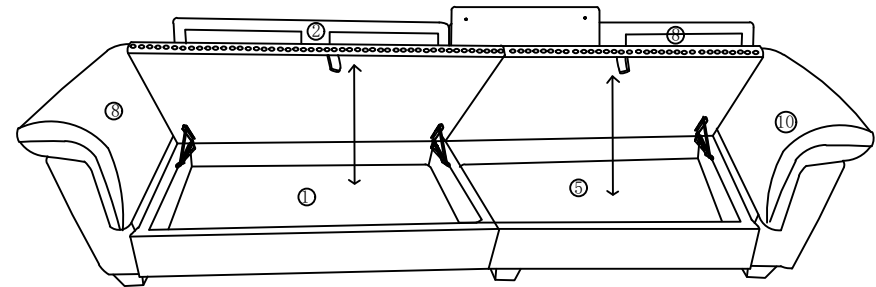
STEP 5:

Insert the backrest into the sofa base and then connect the screws of the backrest



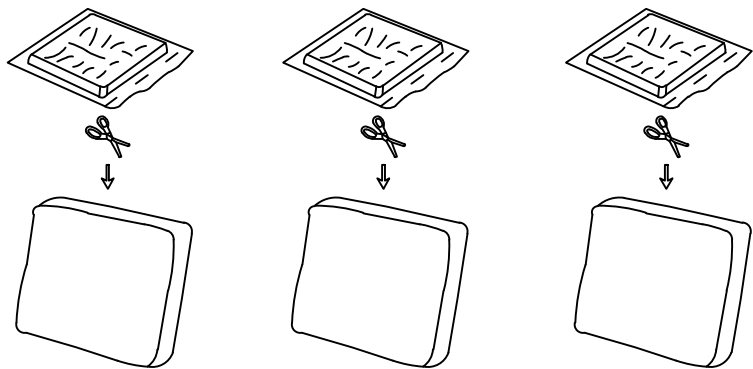
STEP 6:

Sofa seat frame with storage function



STEP 7:

Cut the compression bags



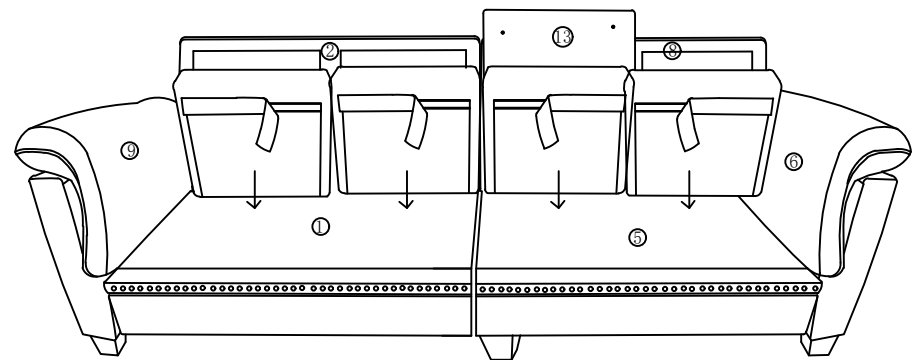
Back cushion

Seat Cushion

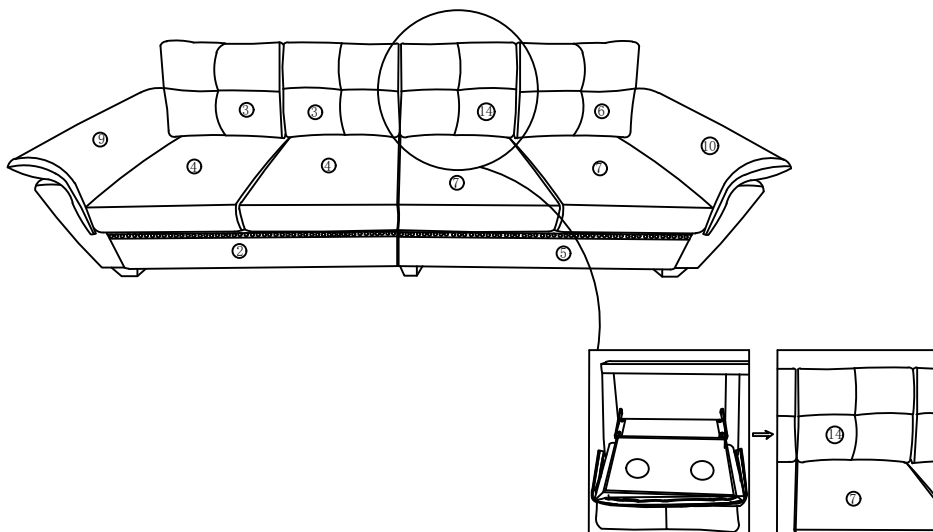
Seat Cushion

STEP 8:

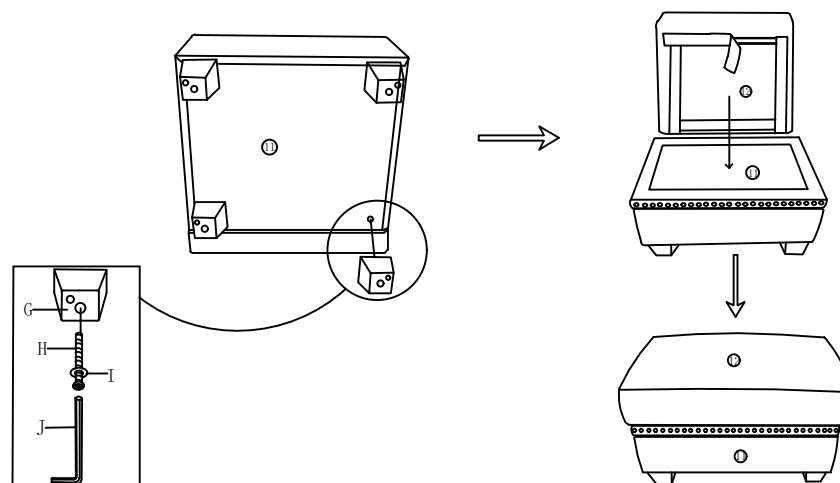
Fasten the seat cushion to the seat frame



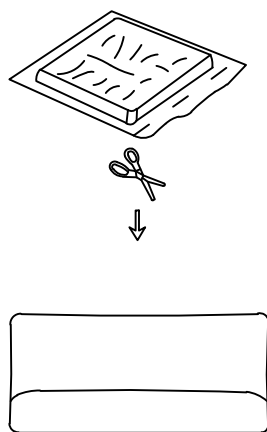
STEP 9:
Put the backrest and cushion on the sofa



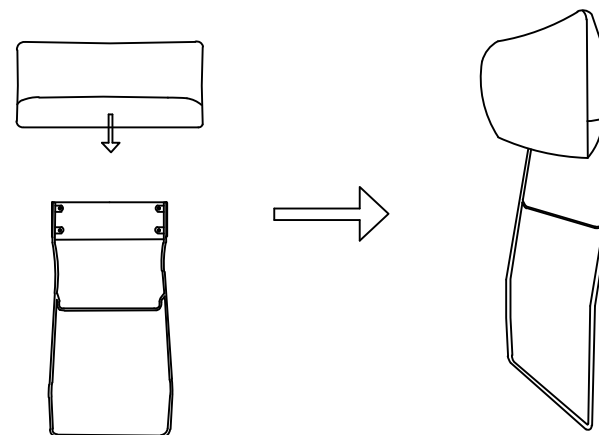
STEP 10:
Install the sofa feet and fix the seat cushion



STEP 11:
Cut the compression bags

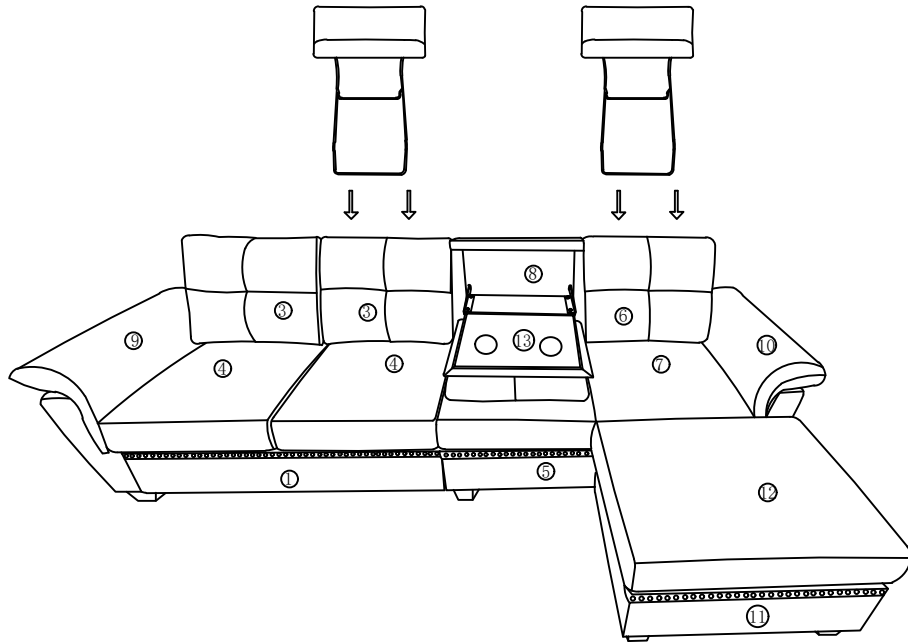


STEP 12:
Tear off the head restraint into the head restraint bracket



STEP 13:

Insert the metal head restraint bracket into the back of the backrest



STEP 14:

The assembly is complete

