

Assembly Instructions

Before beginning the assembly process, please read and save these instructions for reference. Following these guidelines will ensure a smooth and successful assembly of your product.

1. Part Identification:

Carefully separate and identify all the parts included in your package. Confirm that you have all the components listed in the instruction manual. This step will help you avoid any missing or misplaced parts during assembly.

2. Work Surface:

To prevent any scratches or damage to the product, assemble it on a soft mat or a similar protective surface. This will provide a cushioned area for the components and protect the surfaces from unwanted marks.

3. Step-by-Step Assembly:

Follow the assembly instructions provided, proceeding one step at a time. Take care to understand each step properly before proceeding to the next one. This sequential approach ensures that the assembly is done correctly and minimizes the chance of errors.

4. Proper Screw Seating:

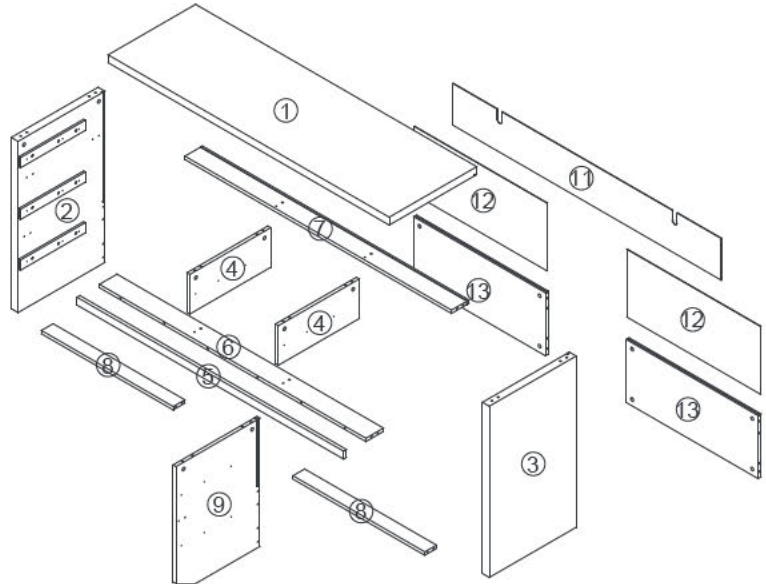
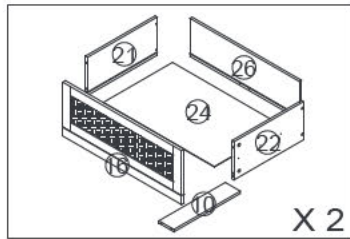
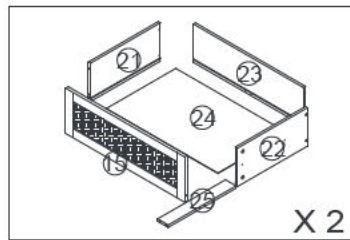
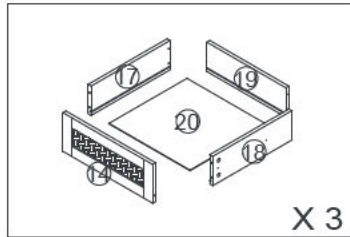
When attaching screws and nuts, it is essential not to fully tighten them until all screws are correctly seated. By partially tightening each screw and nut initially, you can ensure that they are aligned properly and fit securely before final tightening.

5. Avoid Over-Tightening:








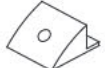






While each screw and nut should be tightened correctly, it is crucial not to over-tighten them. Over-tightening can cause damage to the product or compromise its structural integrity. Use the appropriate amount of force to secure the components without excessive tightening.

If you encounter any questions or problems during the assembly process, please do not hesitate to contact us. We strive to provide excellent customer support and will respond to your inquiries within 24 hours. Our team will offer you a suitable solution to address any concerns you may have.

Parts List



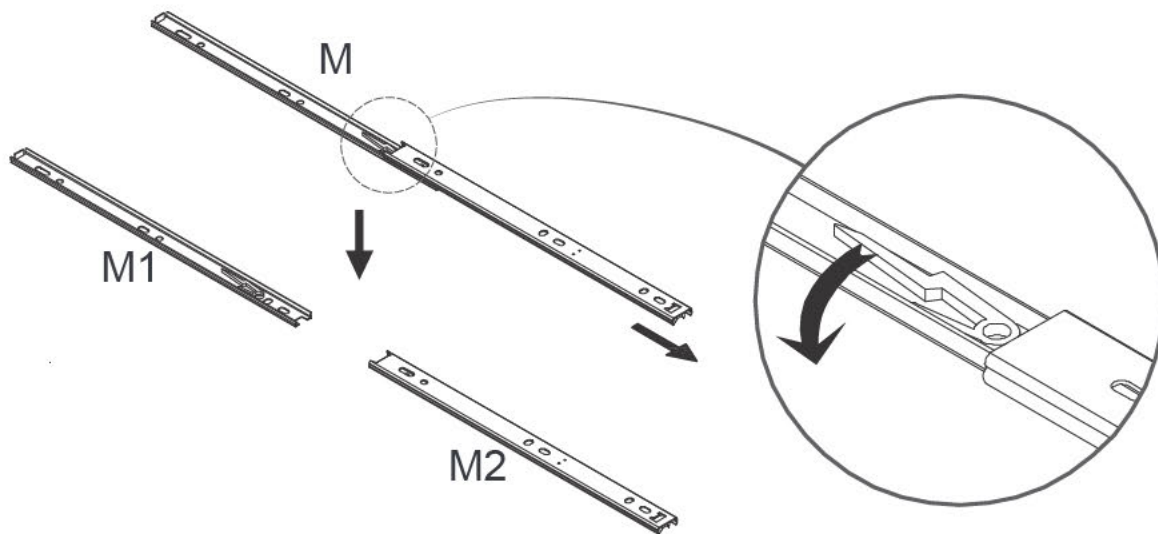
Hardware List

A x74  Ø6x35	B x74  Ø15x10	C x20  Ø8x30	D x42  Ø8xM4x35	E x98  Ø6.5xM3x12	F x10  Ø9xM4x12	G x7 
H x16 	I x16  Ø6.5x3x16	J x2 	K x2 	L x2 	M x14 	N x2  Ø8x50

Code	Description	Quantity
A	Cam bolt	74+2
B	Cam lock	74+2
C	Wooden dowel	20+2
D	M4x35MM Screw	42+2
E	M3x12MM Screw	98+2
F	M4x12MM Screw	10+2
G	Handle	7

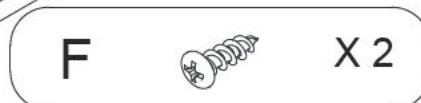
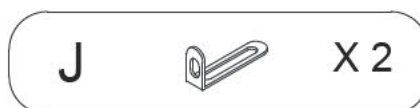
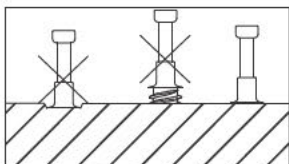
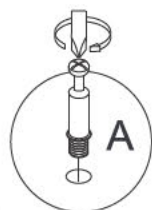
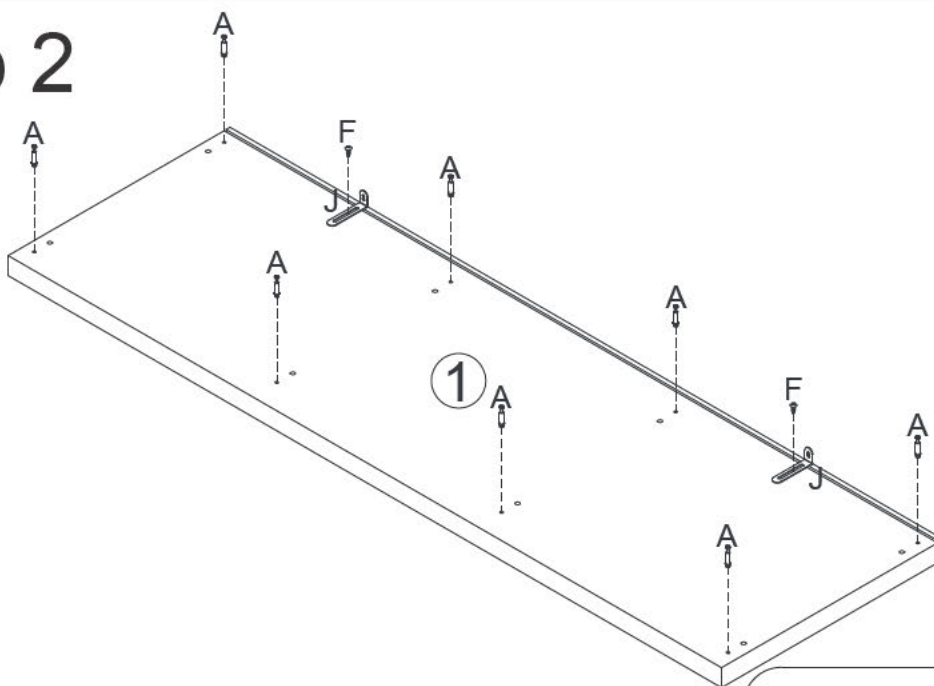
Code	Description	Quantity
H	Back clip	16+2
I	M3x16MM Screw	16+2
J	Anti falling iron sheet	2
K	Plastic anchor	2
L	Caster	2
M	Drawer Slides	14
N	Wooden dowel	2

Step 1

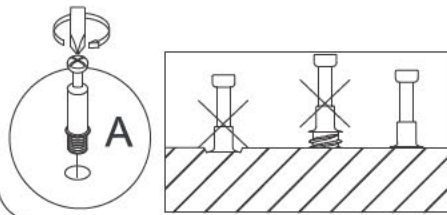
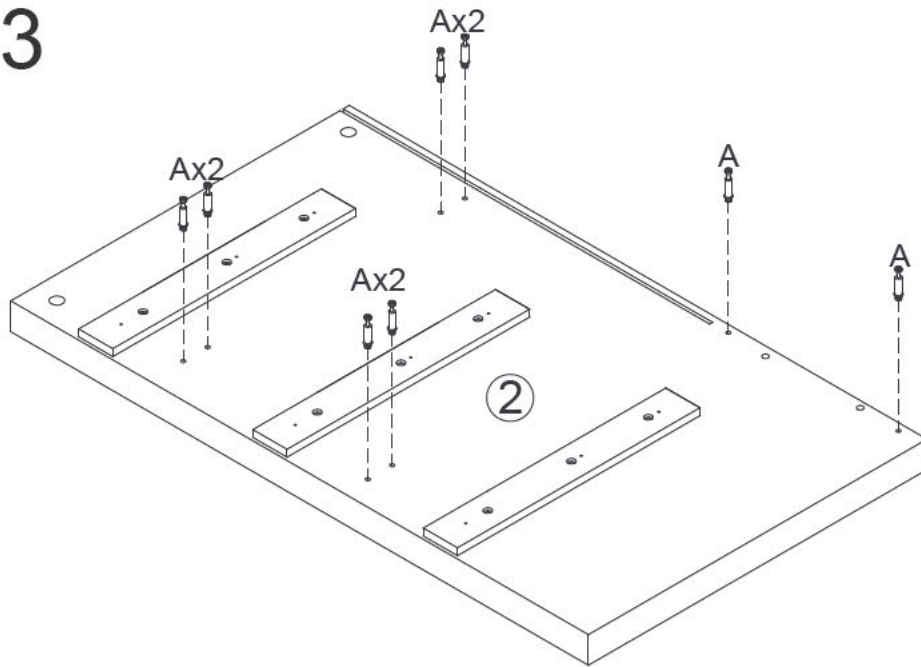


X 14

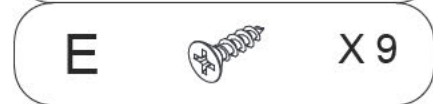
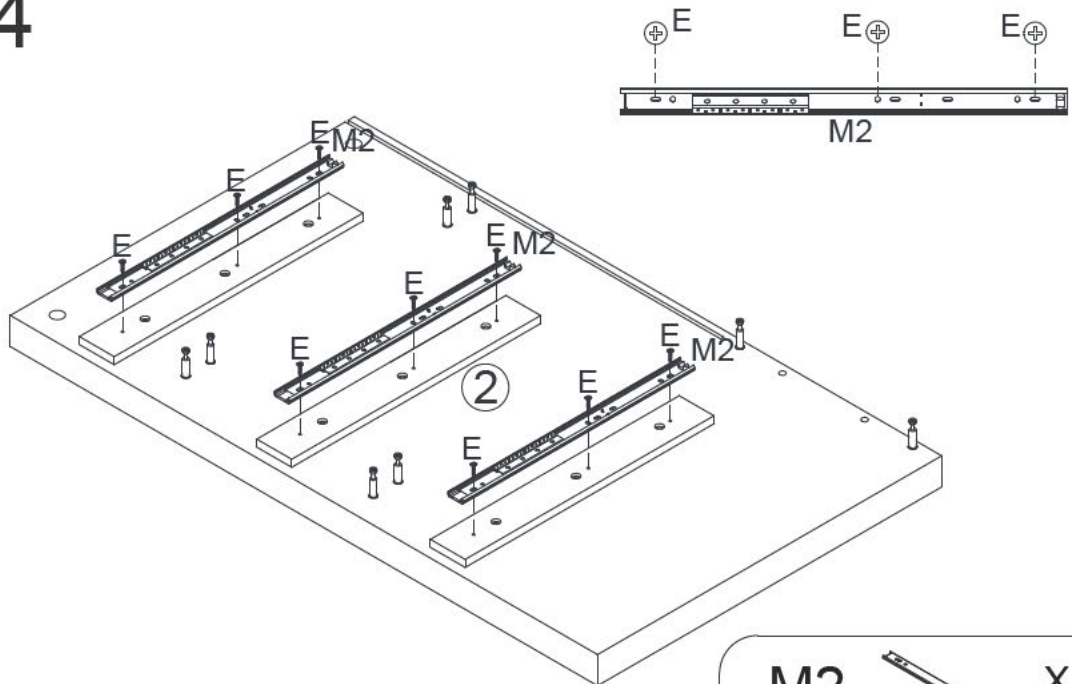
Step 2



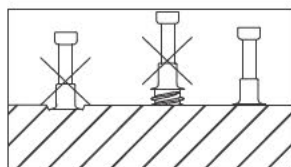
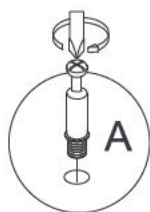
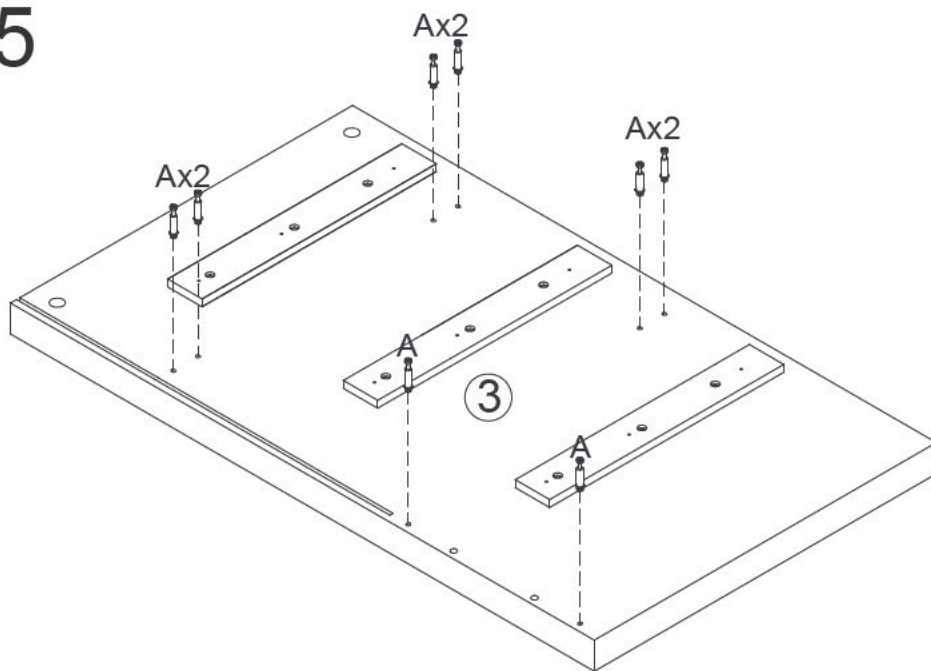
Step 3



Step 4



Step 5

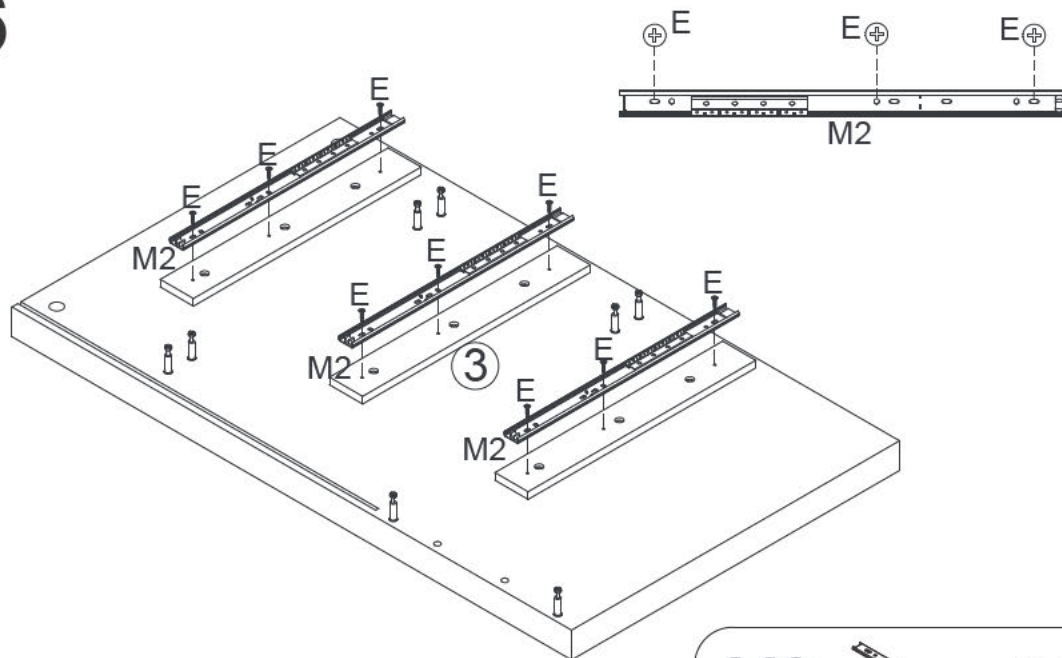


A



X 8

Step 6



M2



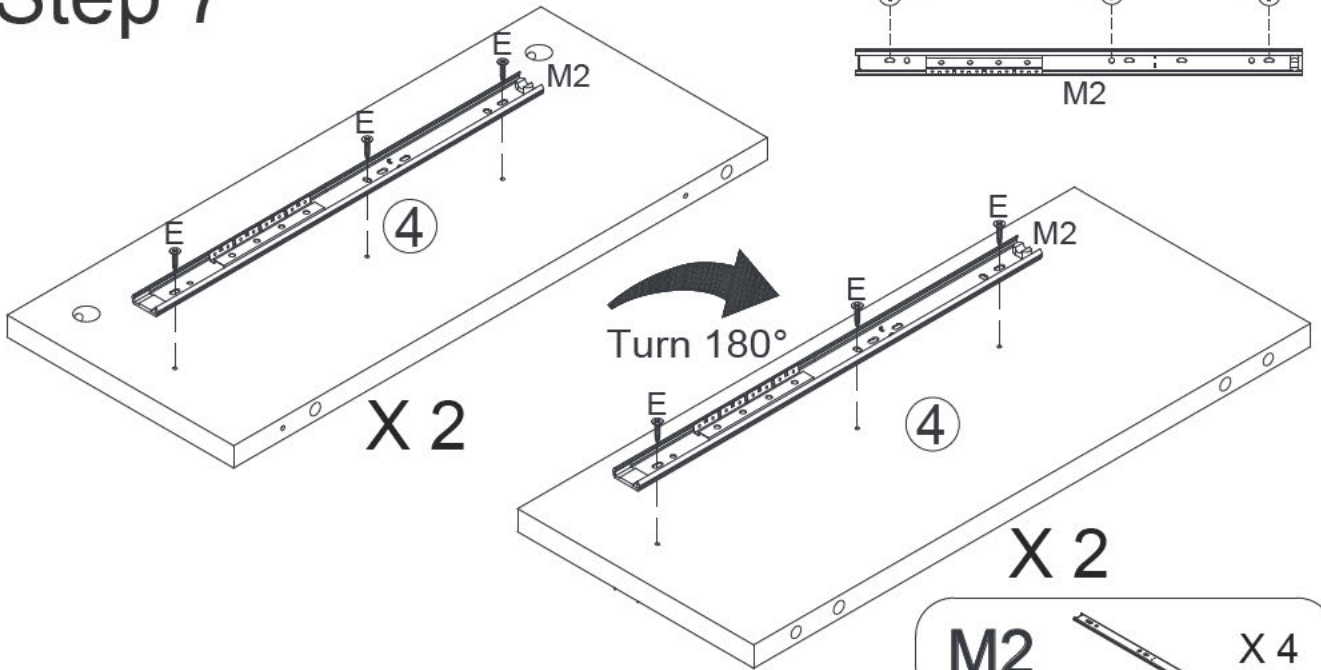
X 3



E



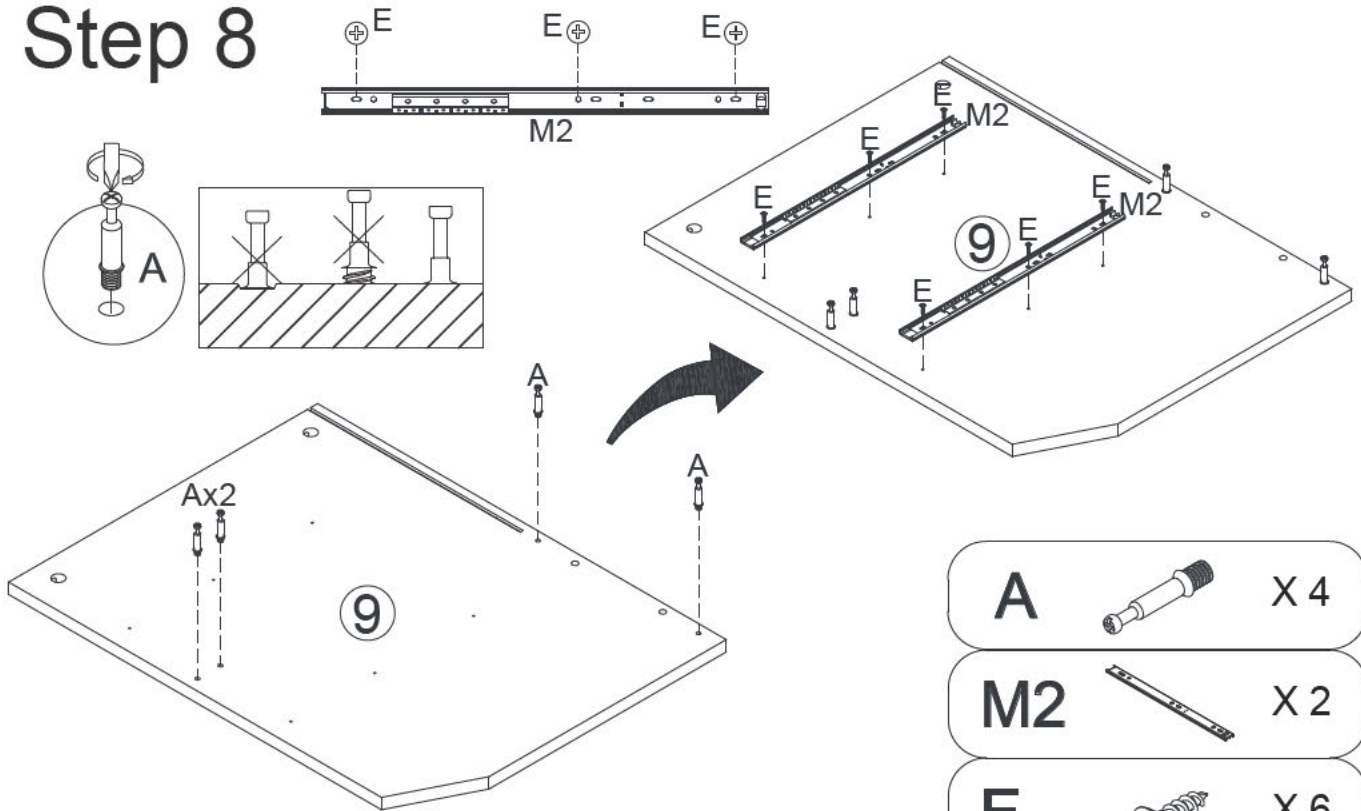
X 9




Step 7



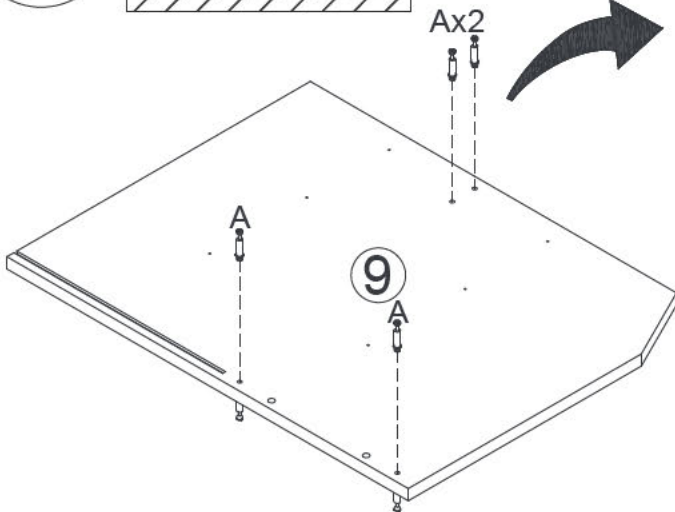
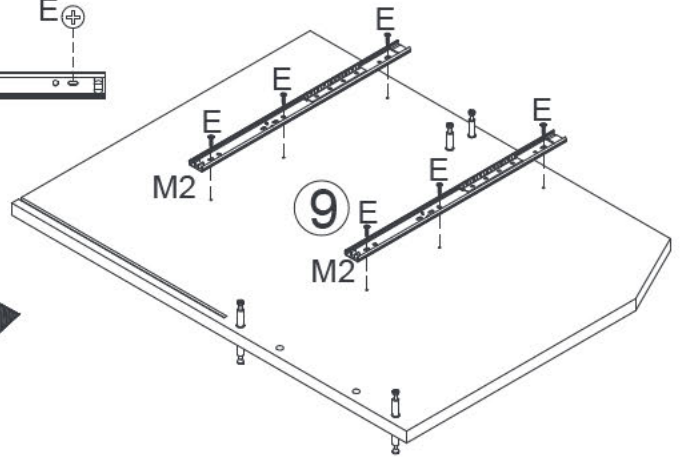
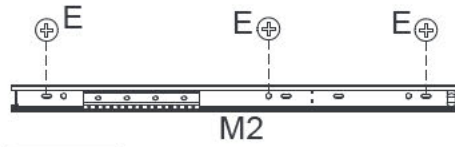
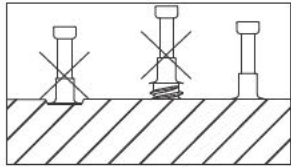
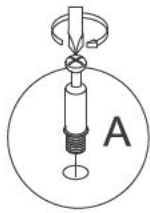
- M2  X 4
- E  X 12




Step 8



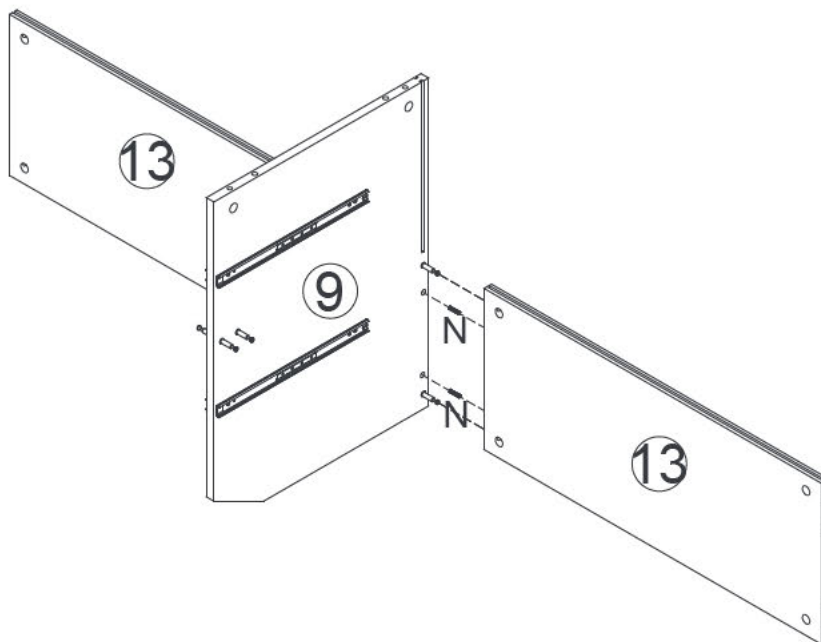
- A  X 4
- M2  X 2
- E  X 6


Step 9



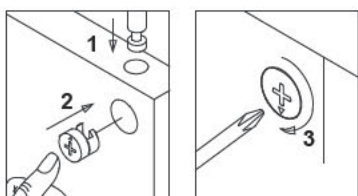
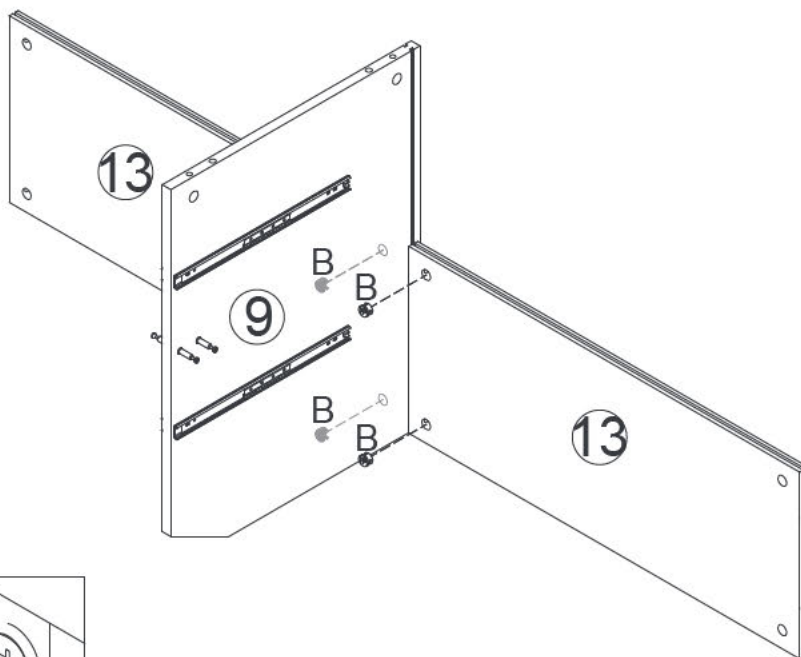
- A**  X 4
- M2**  X 2
- E**  X 6

Step 10



- N**  X 2

Step 11

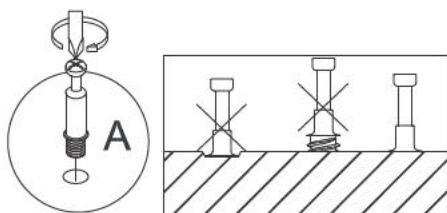
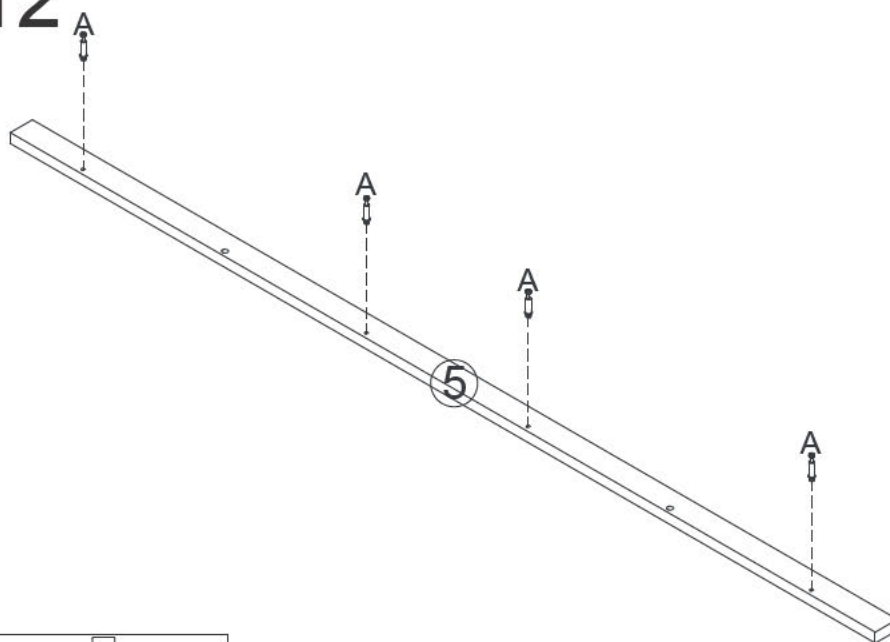


B



X 4

Step 12

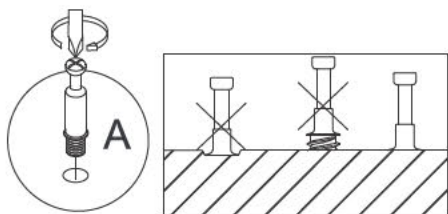
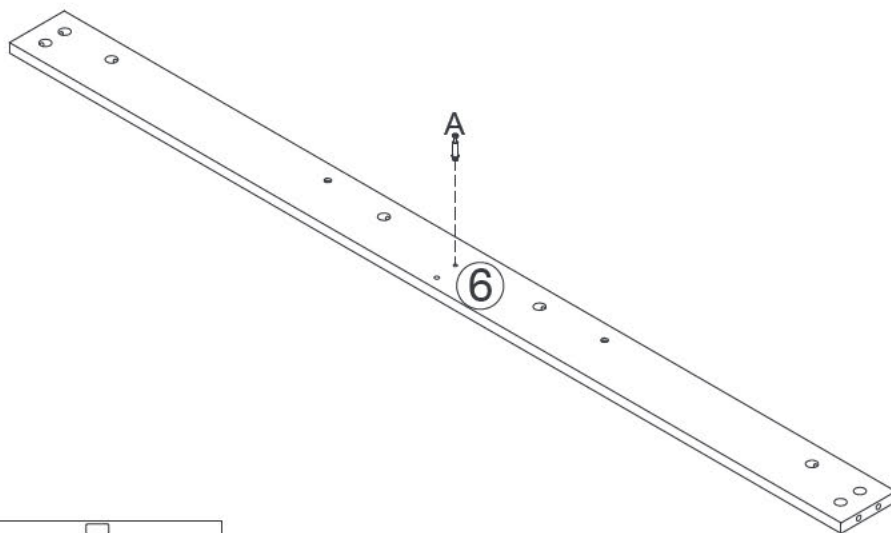


A



X 4

Step 13

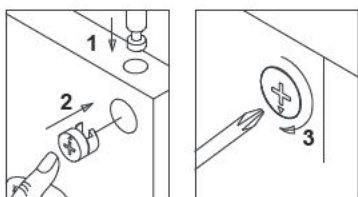
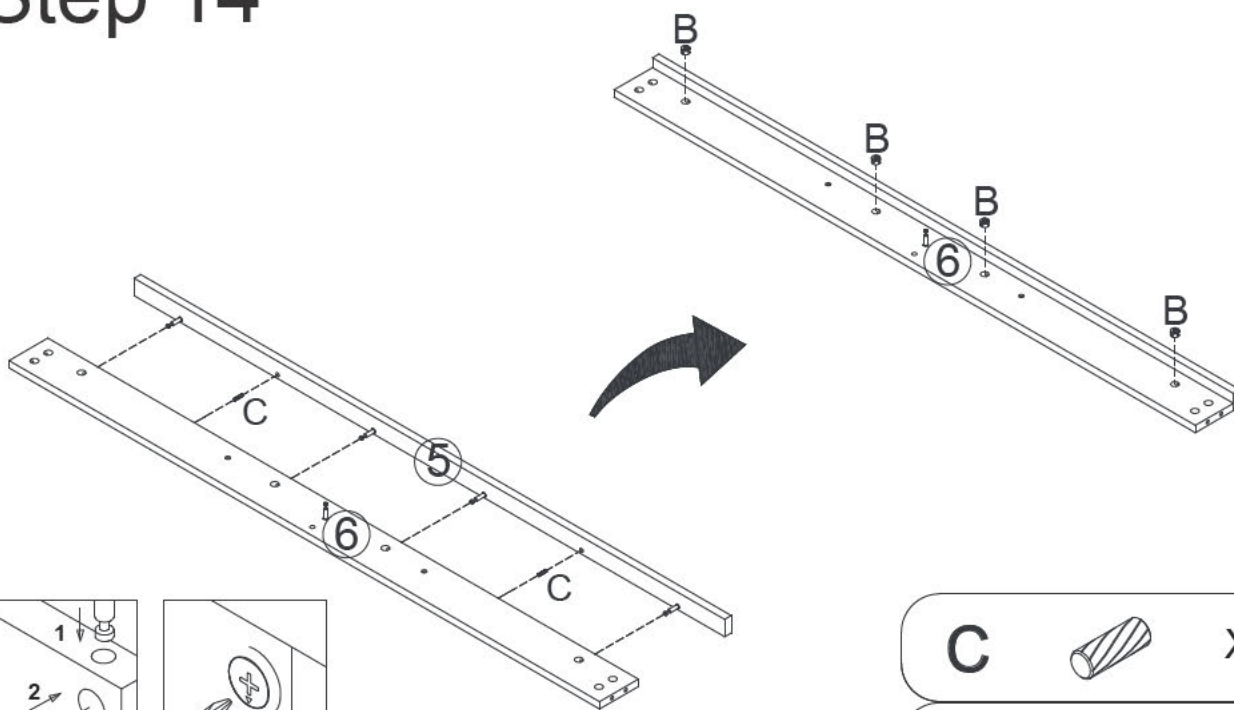


A



X1

Step 14



C



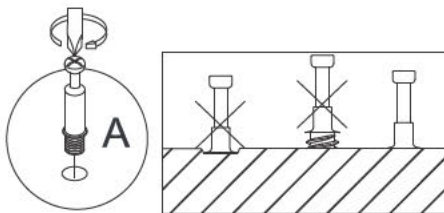
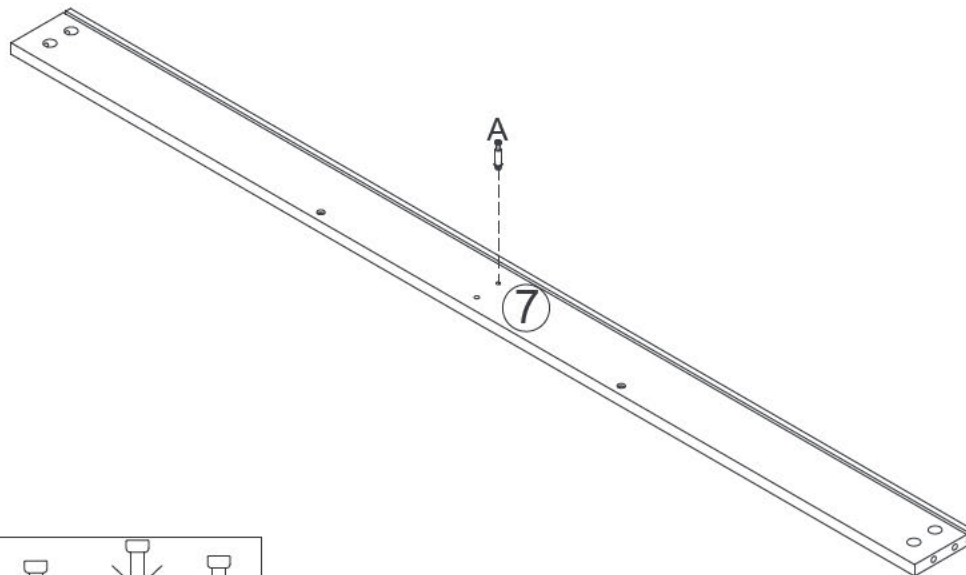
X2

B



X4

Step 15

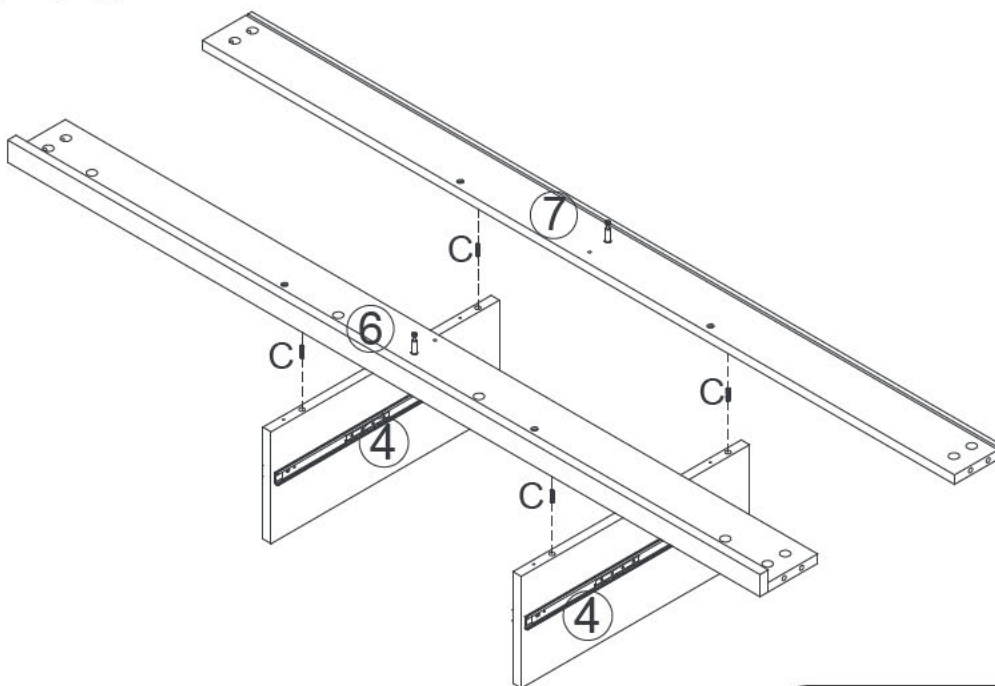


A



X 1

Step 16

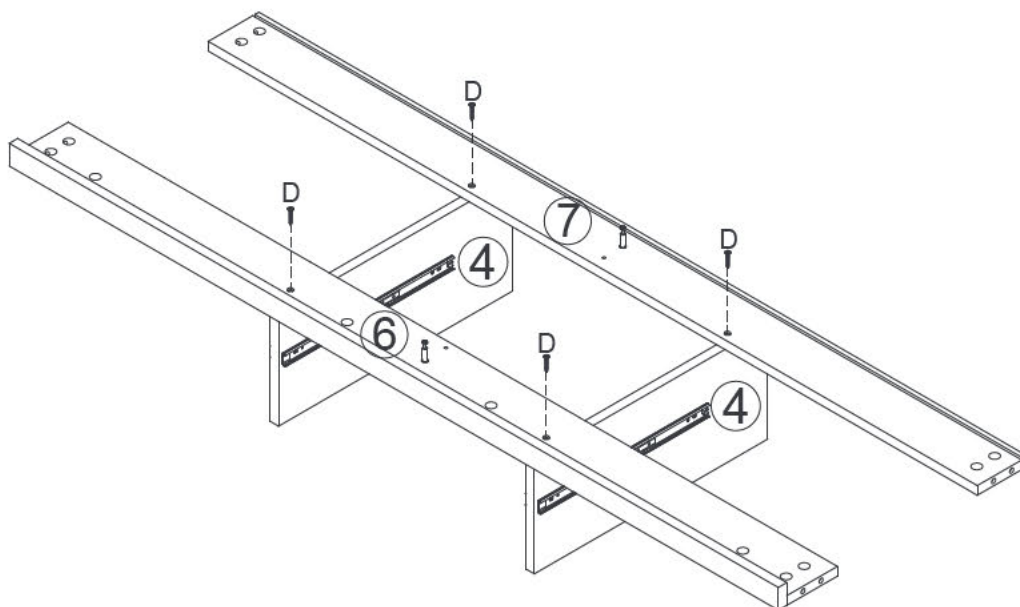


C



X 4

Step 17

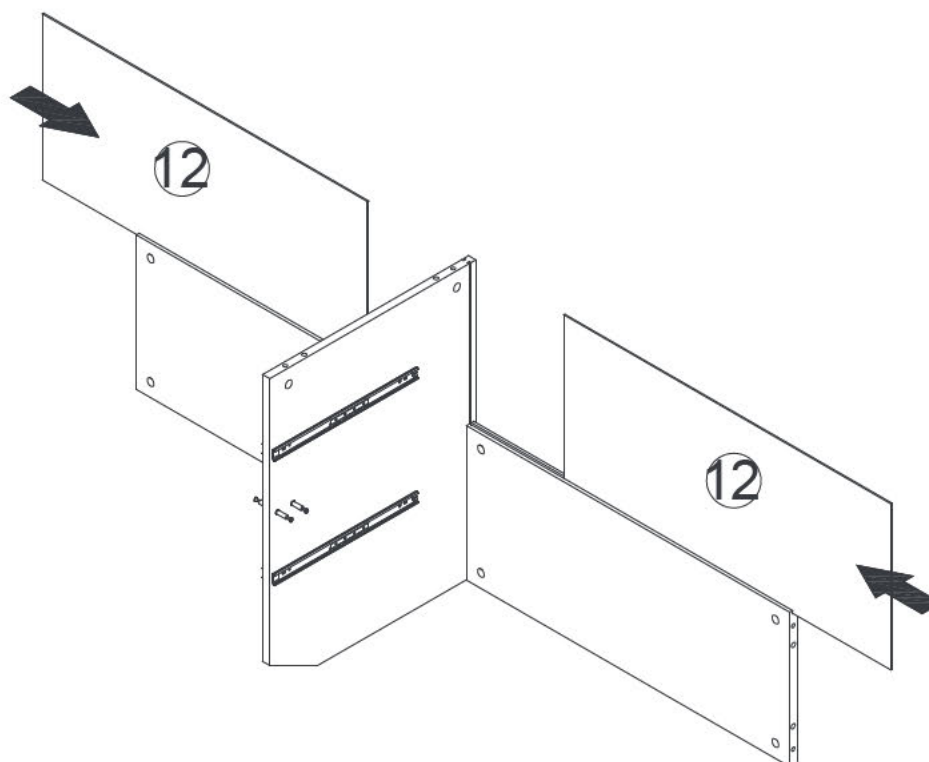


D

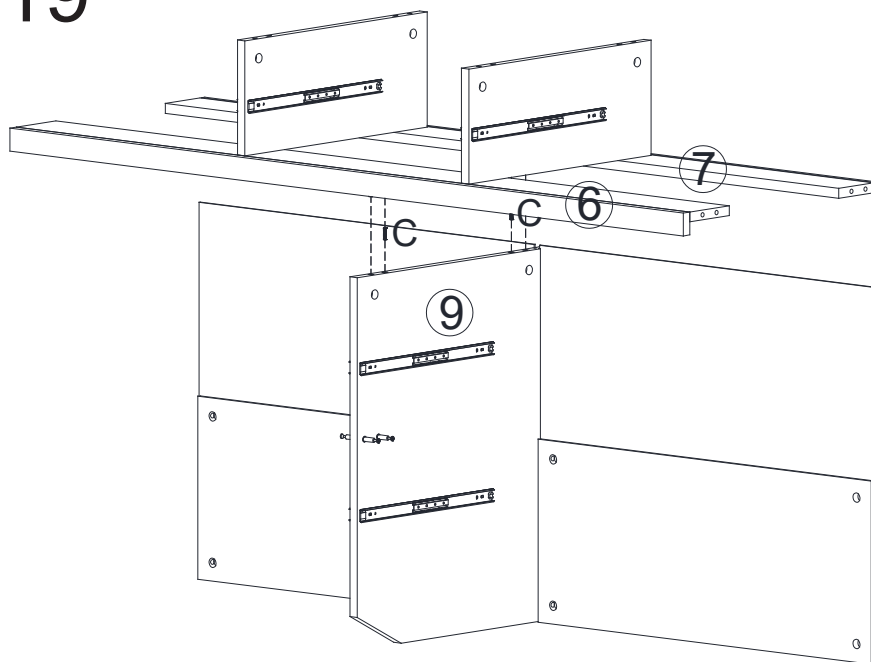


X 4

Step 18



Step 19

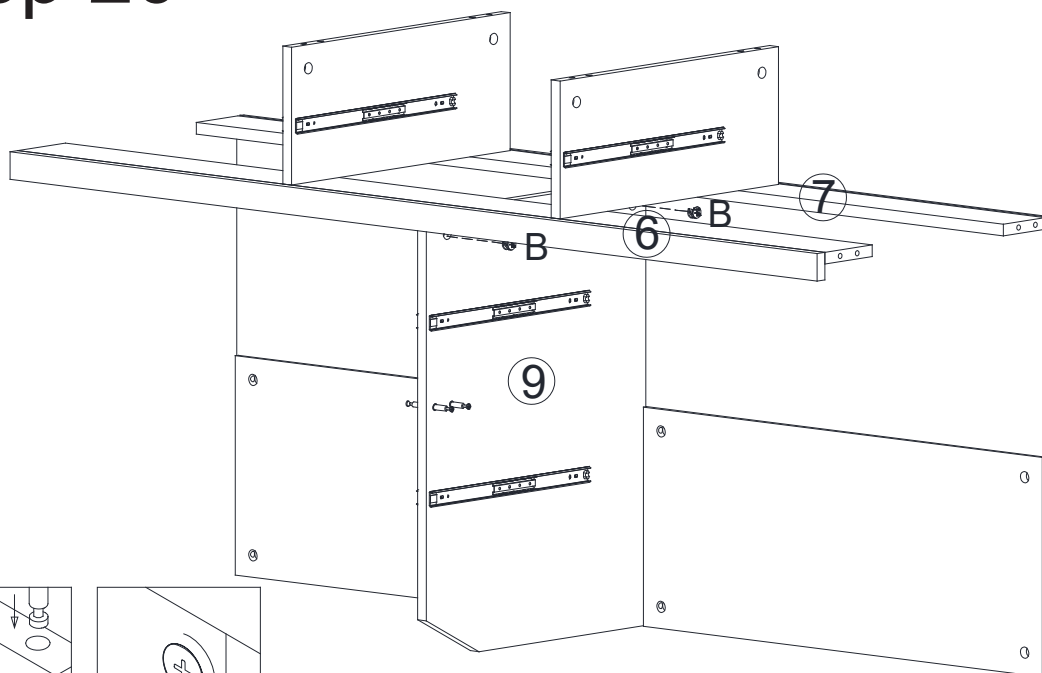


C



X 2

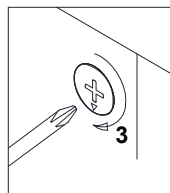
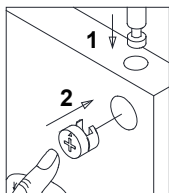
Step 20



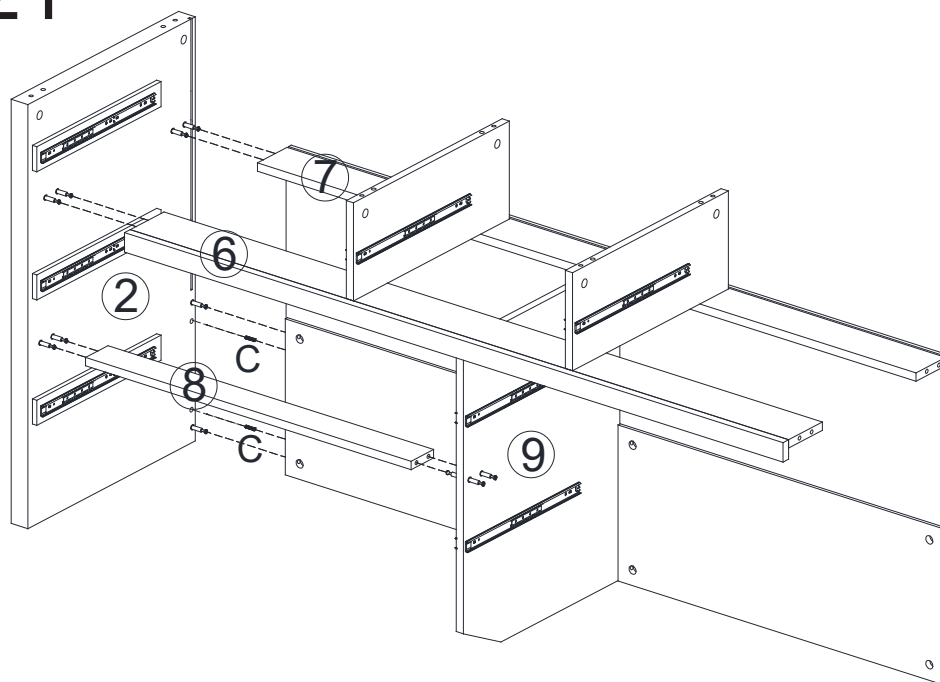
B



X 2



Step 21

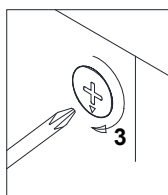
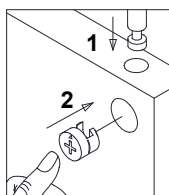
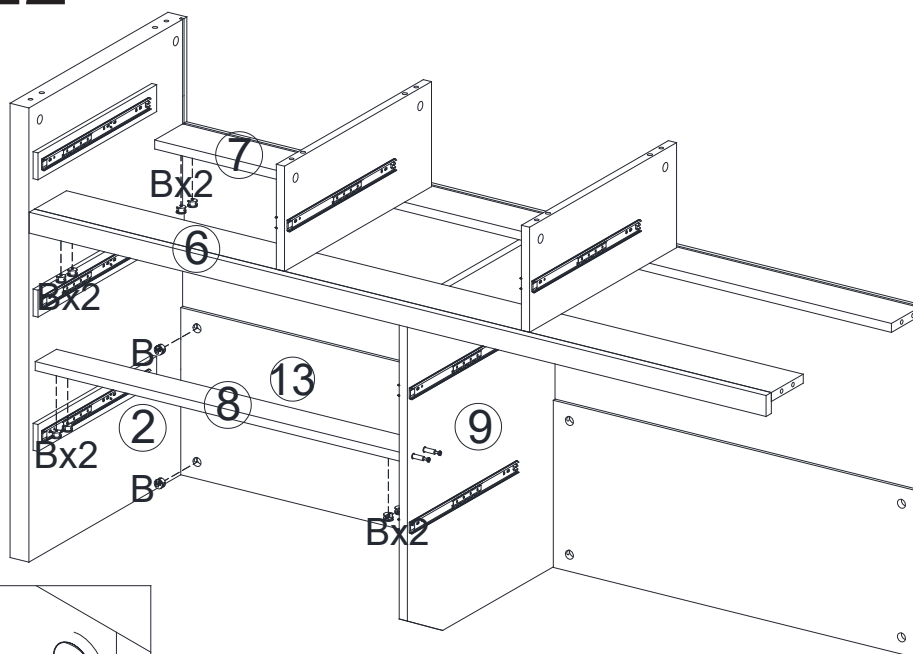


C



X 2

Step 22

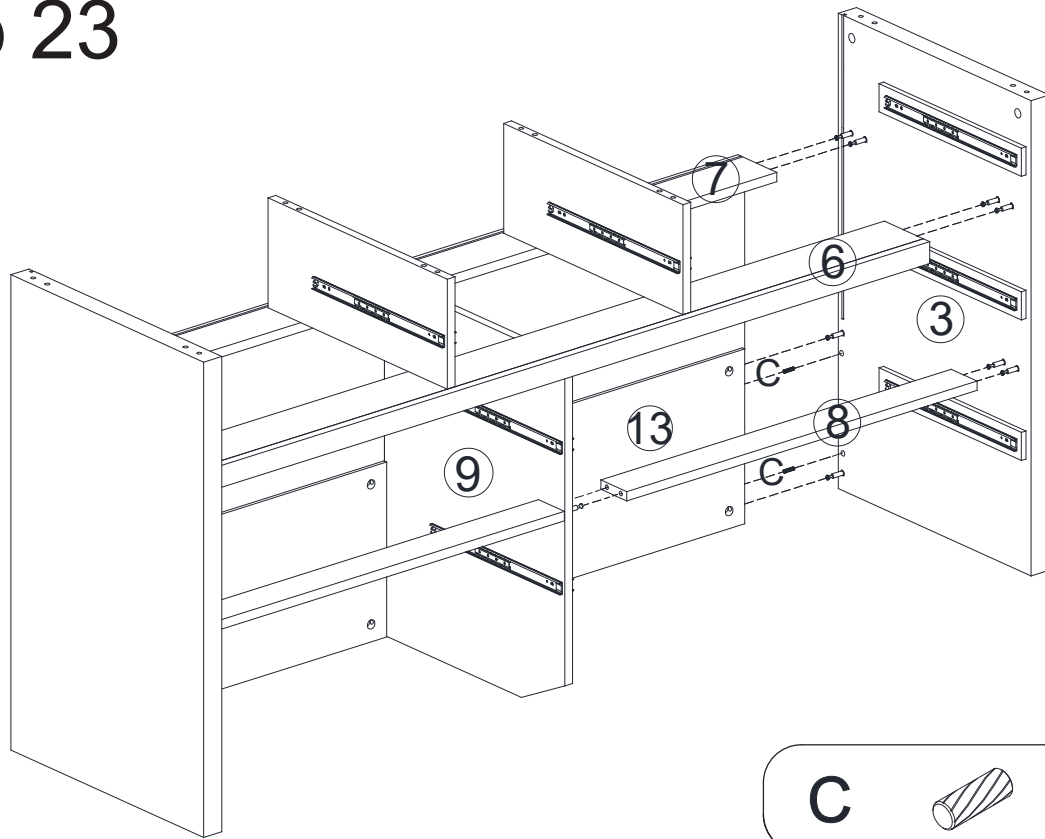


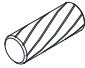
B



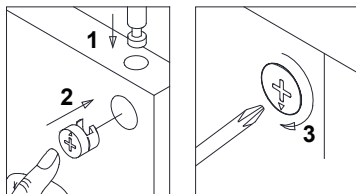
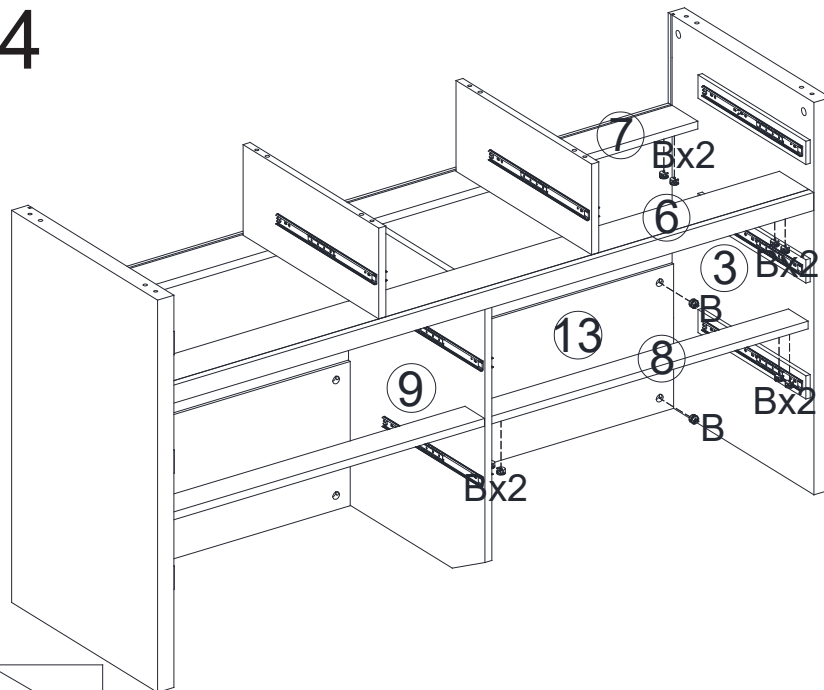
X 10

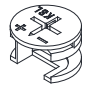
Step 23



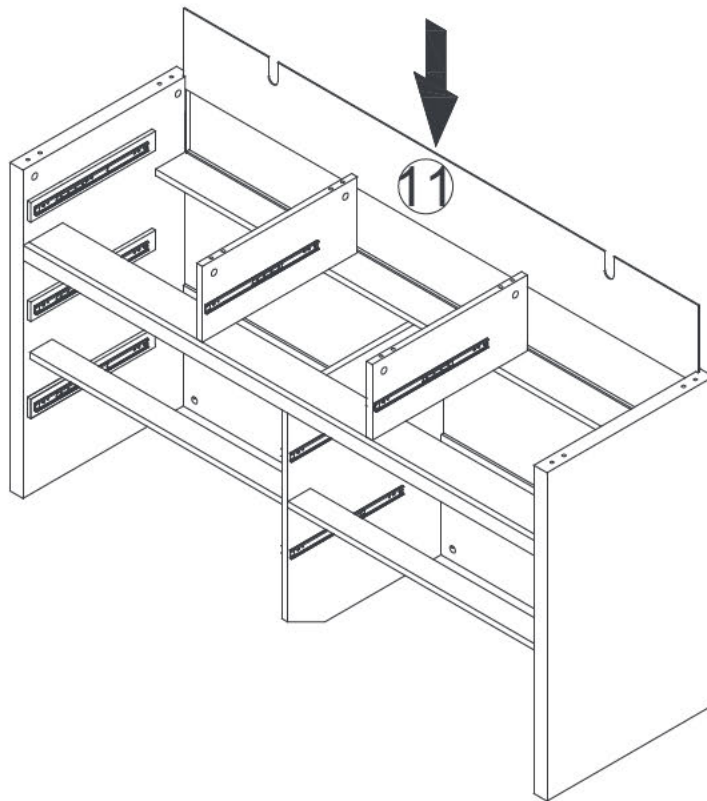
C  X 2

Step 24

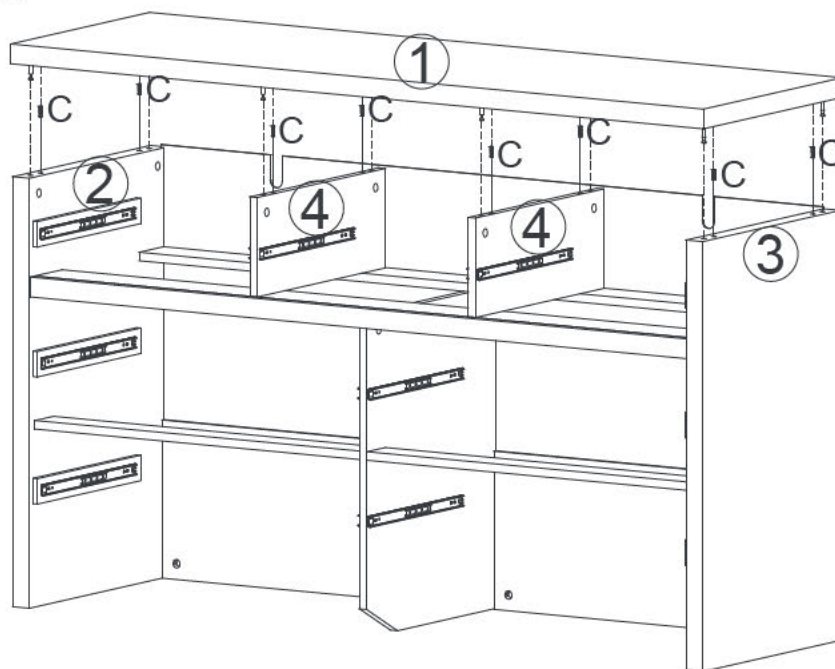


B  X 10

Step 25



Step 26

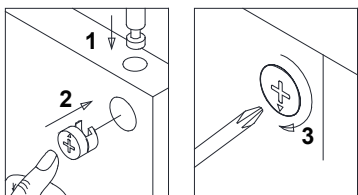
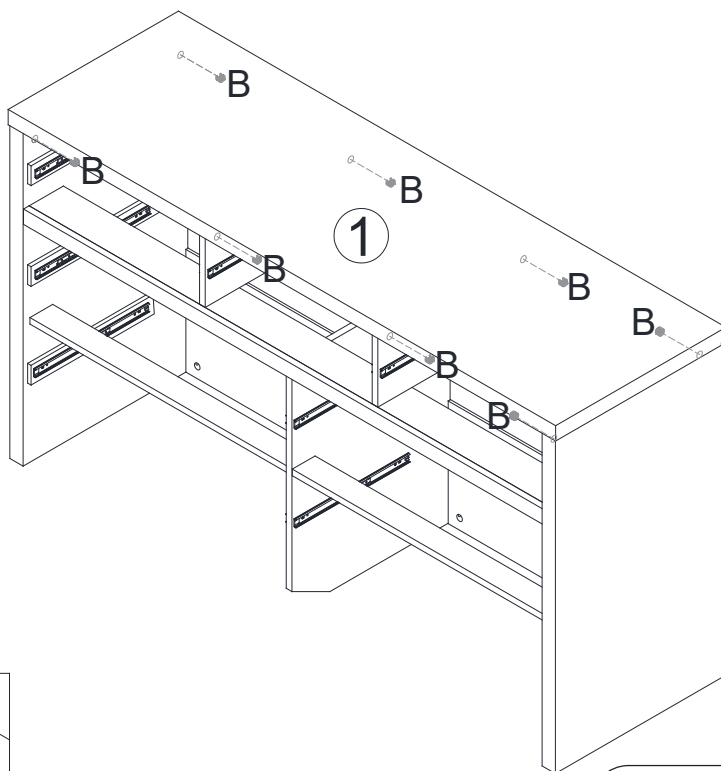



C



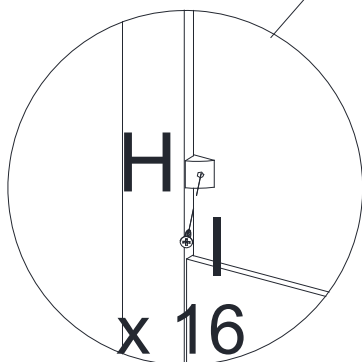
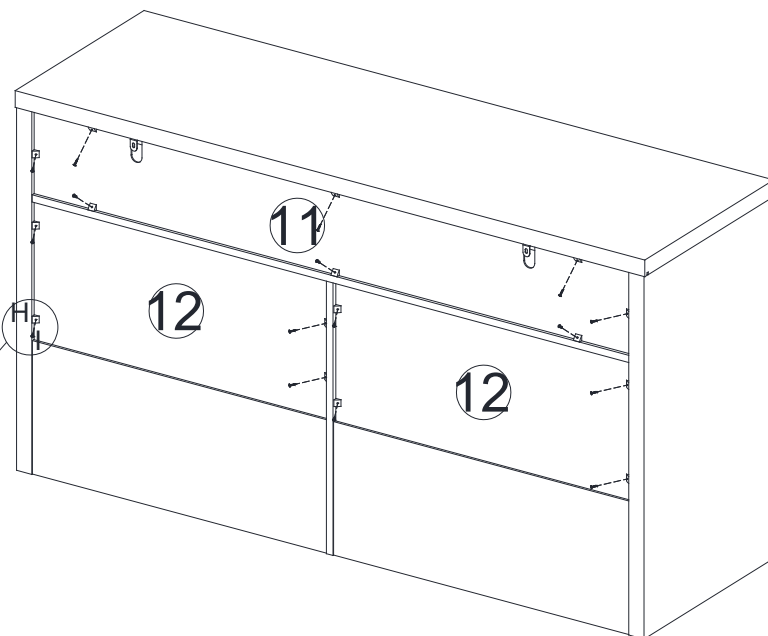
X 8


Step 27




B  X 8

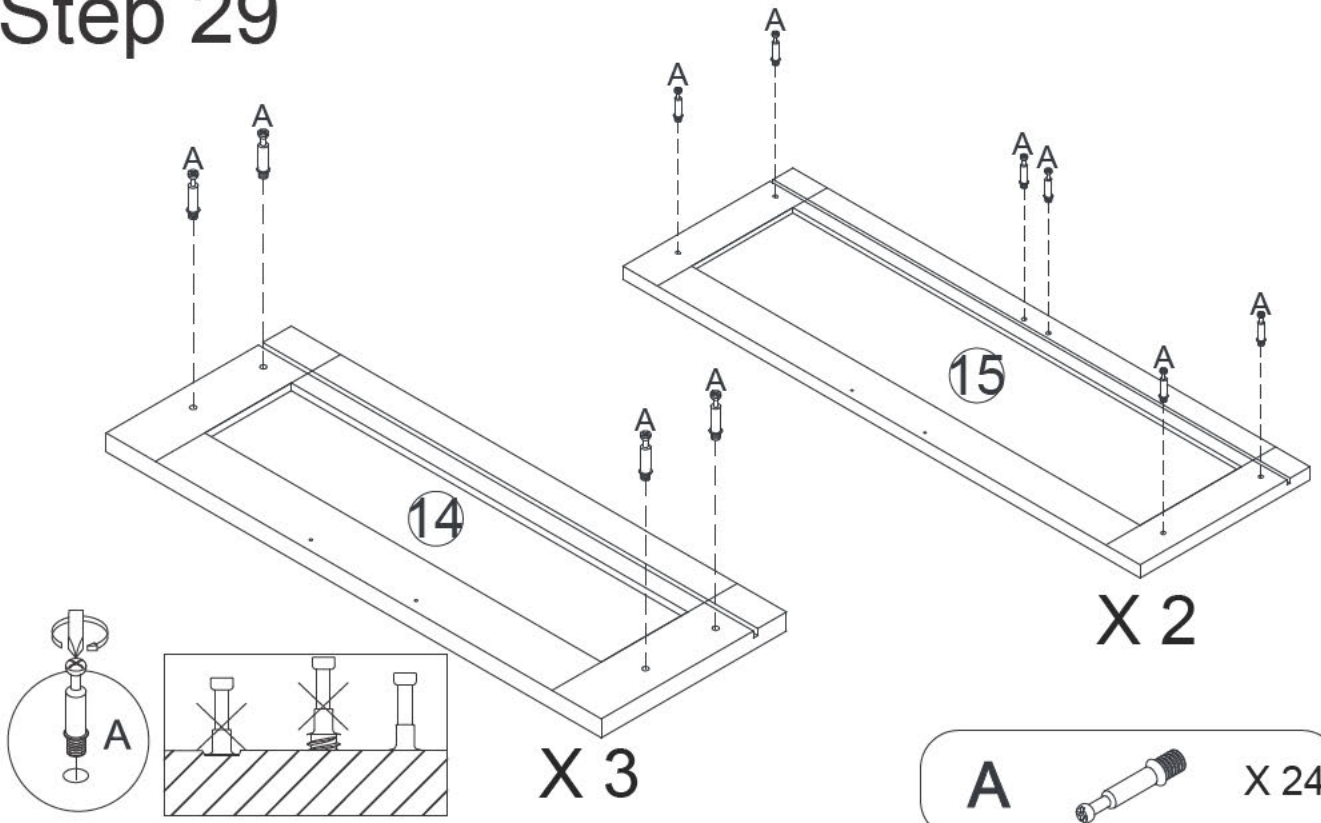
Step 28



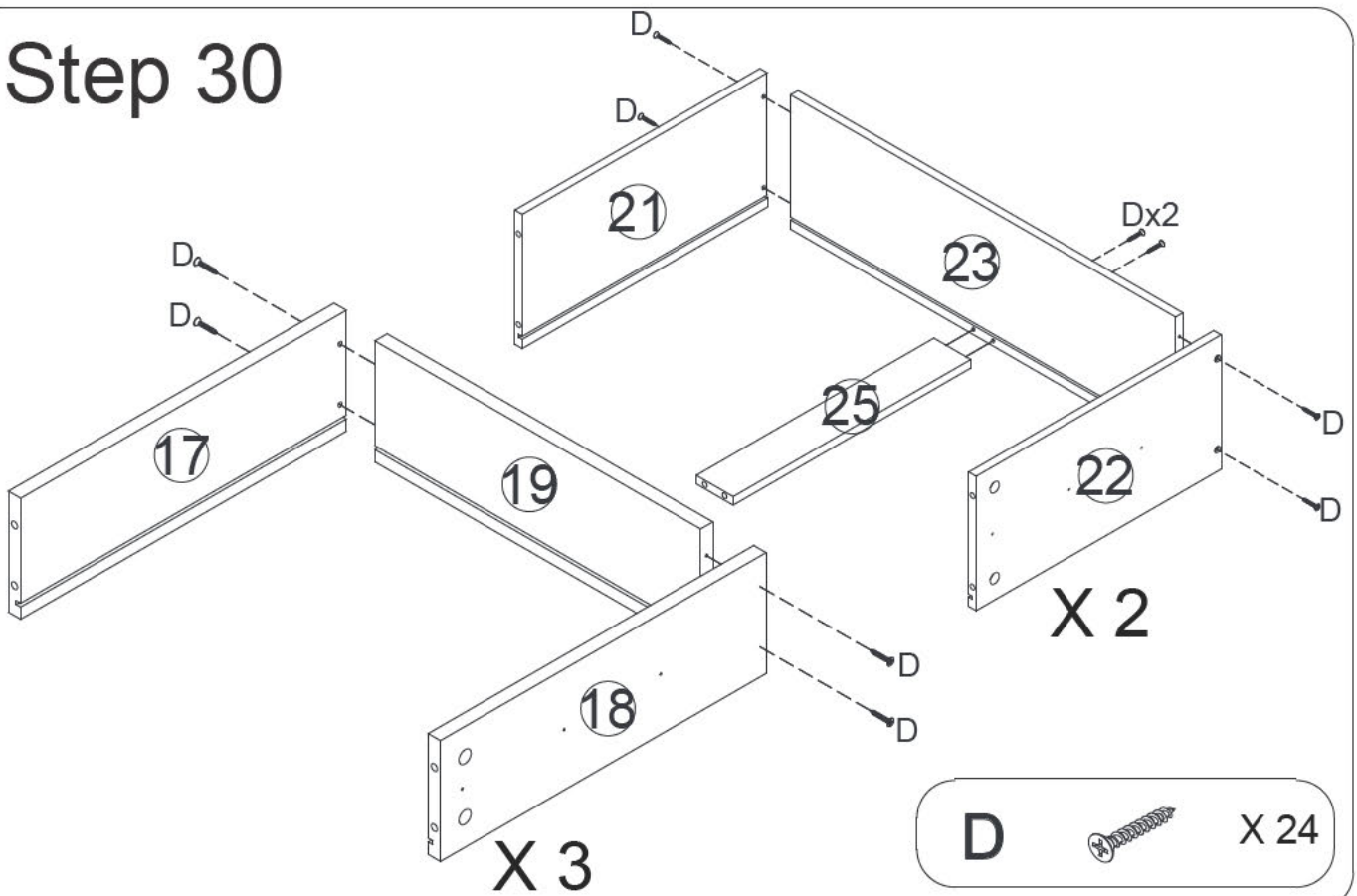
I  X 16

H  X 16

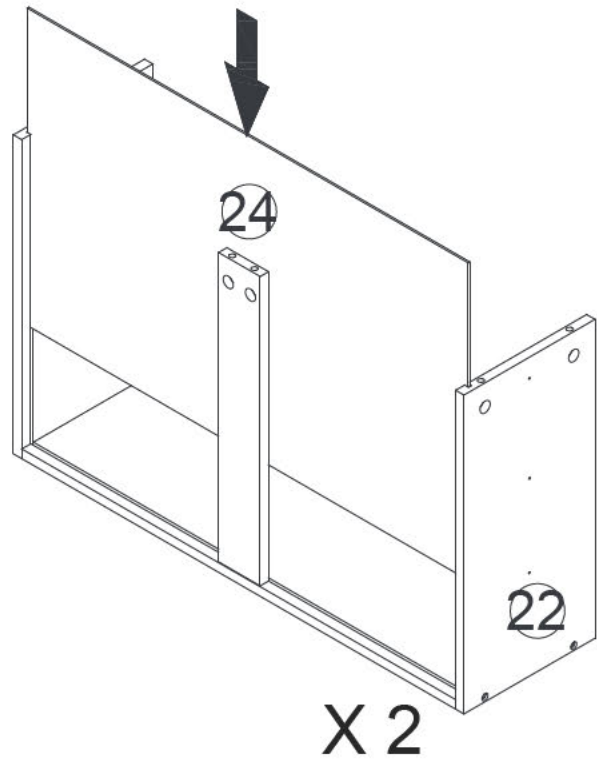
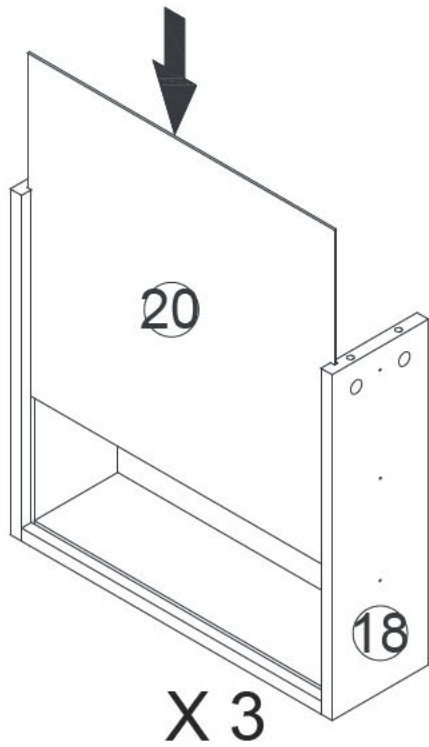
Step 29



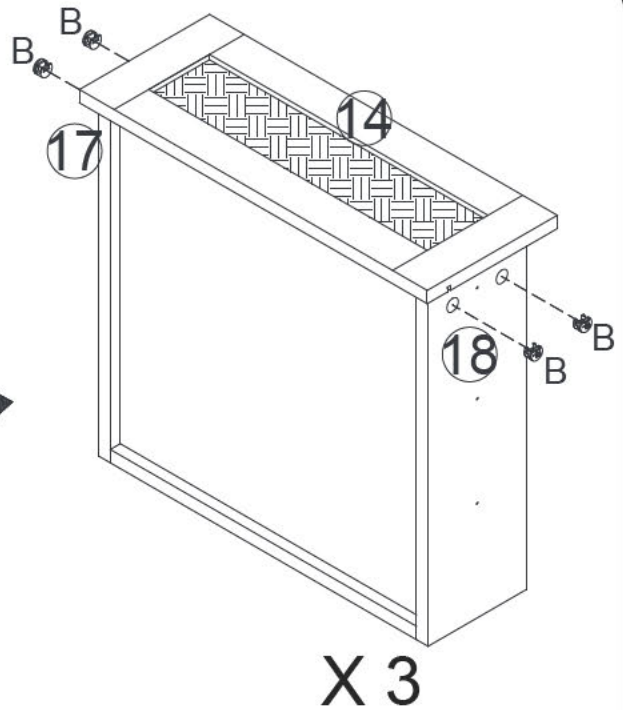
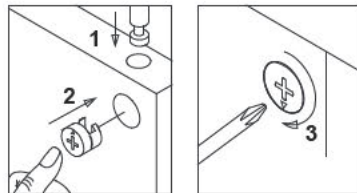
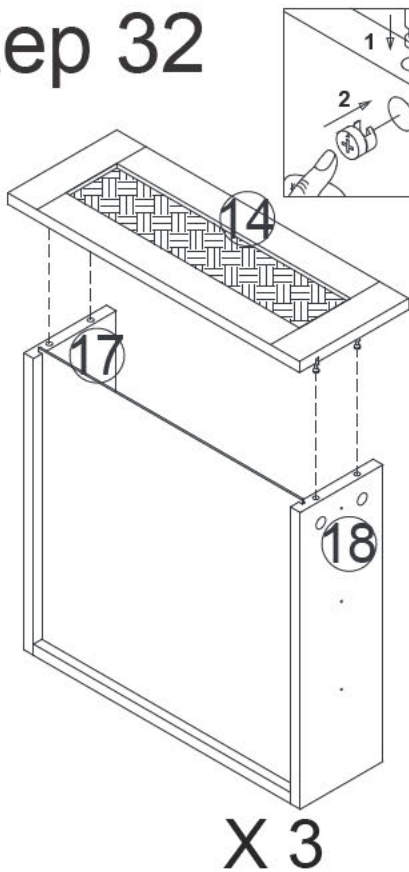
Step 30



Step 31



Step 32

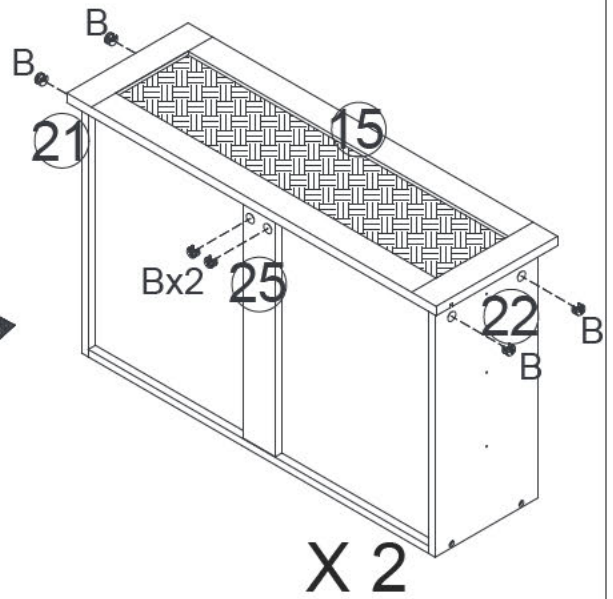
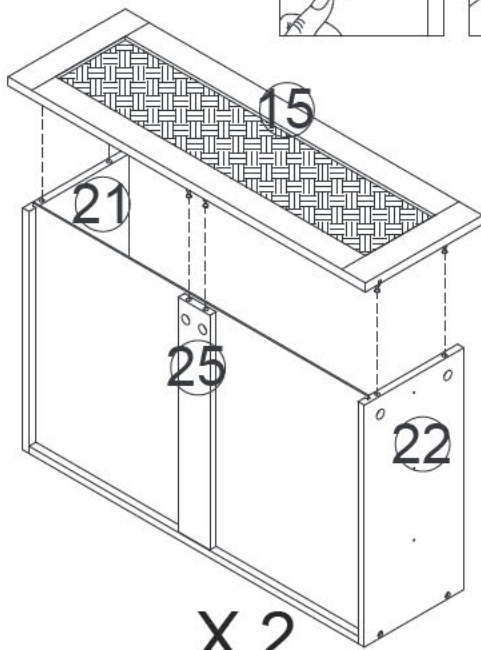
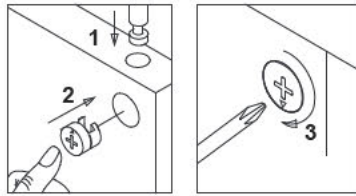


B

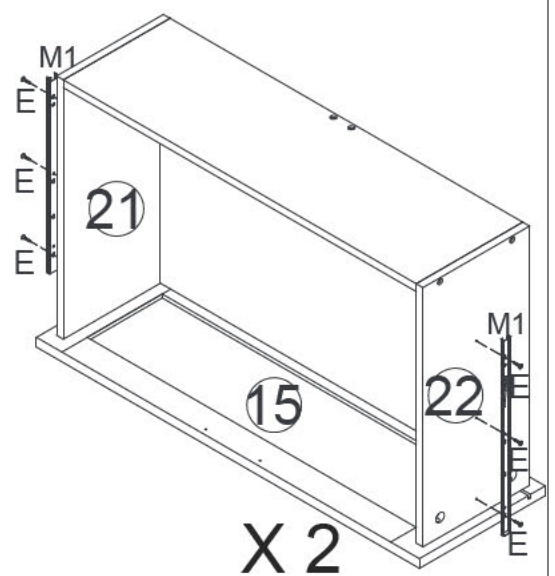
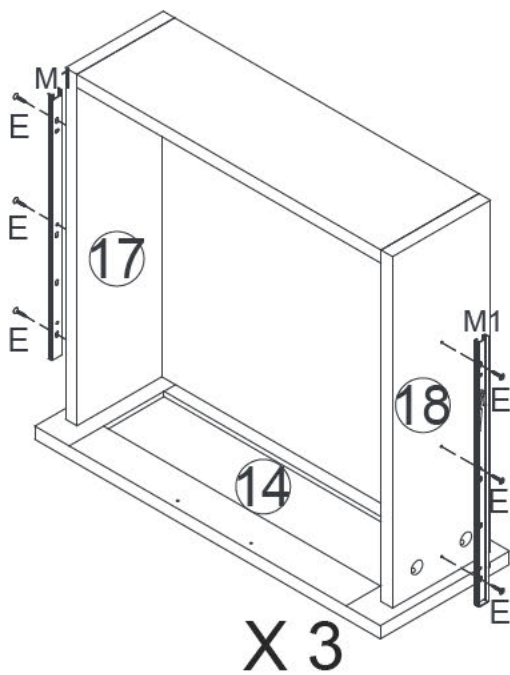
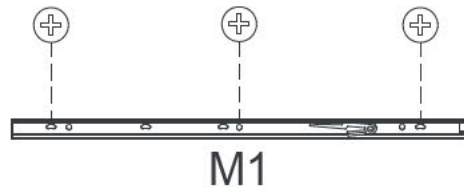


X 12

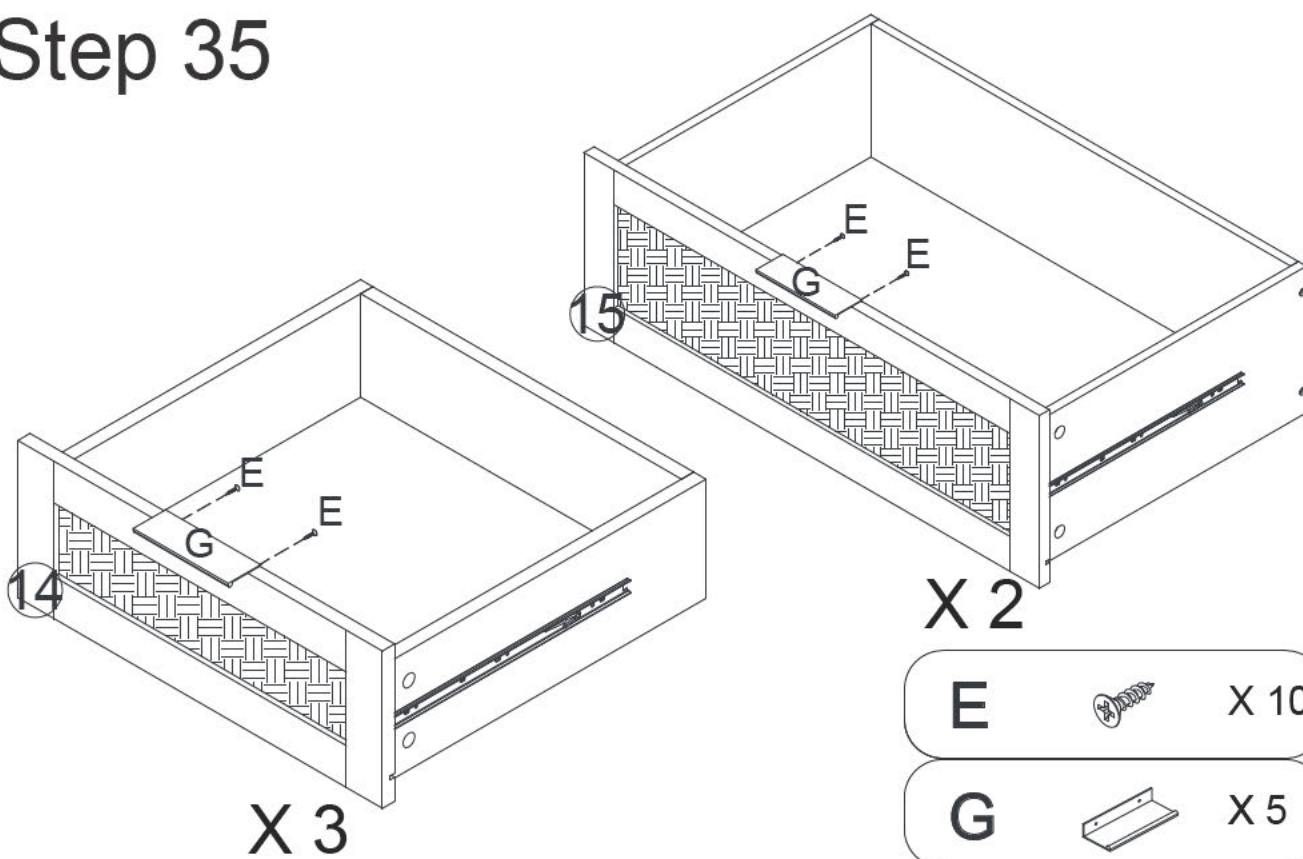
Step 33



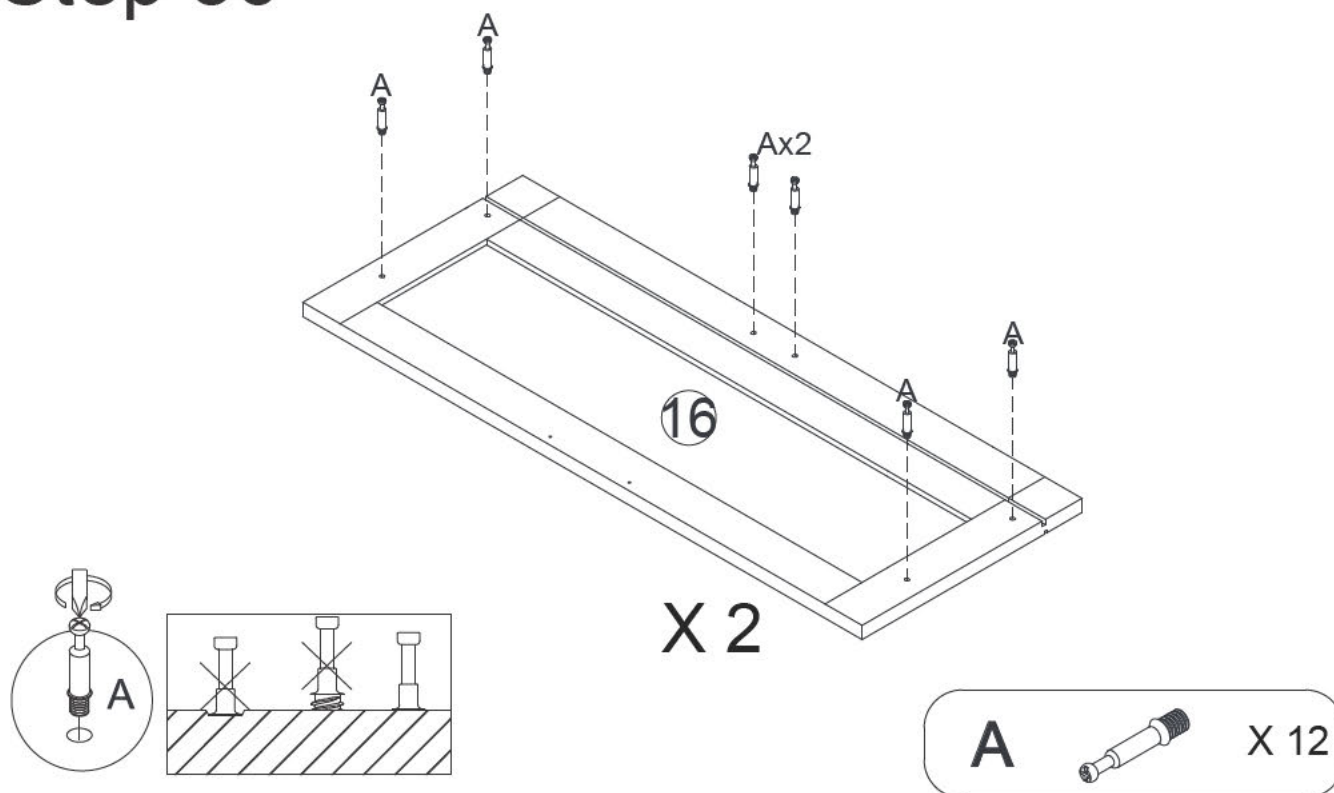
Step 34



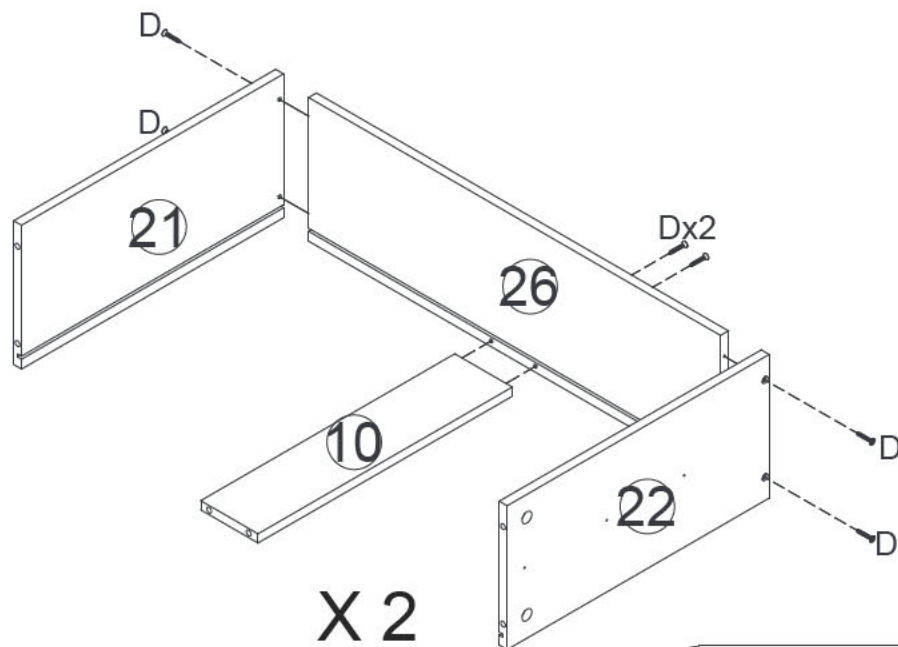
Step 35



Step 36



Step 37

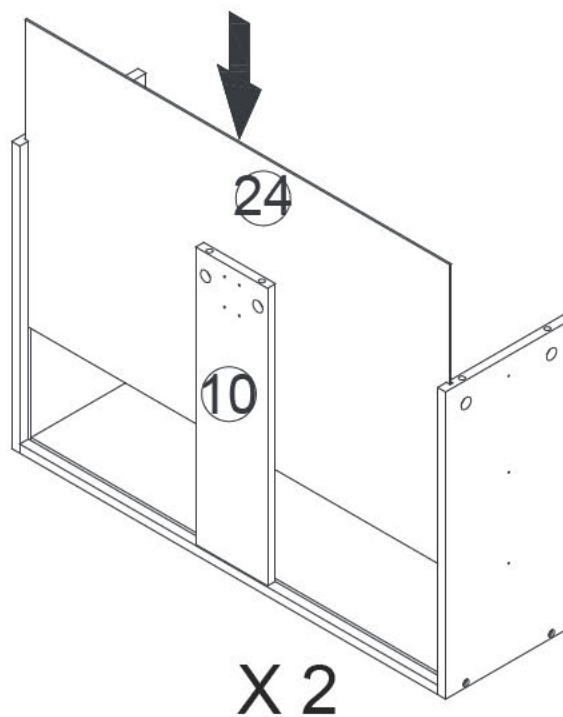


D

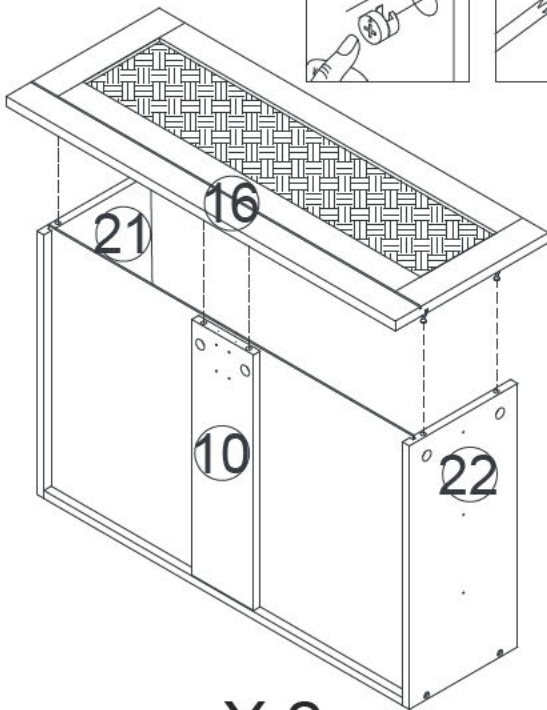
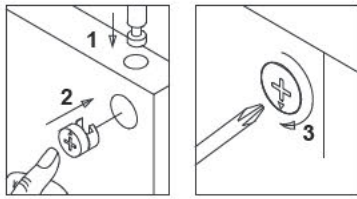


X 12

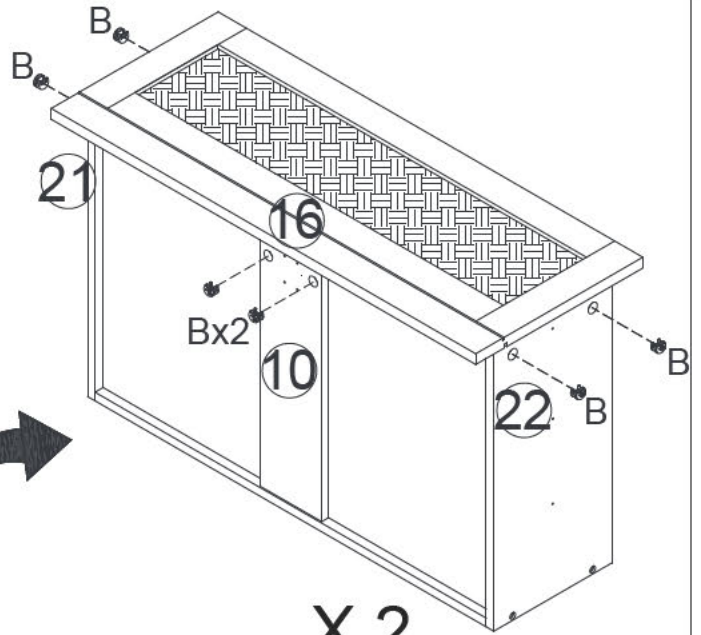
Step 38



Step 39



X 2



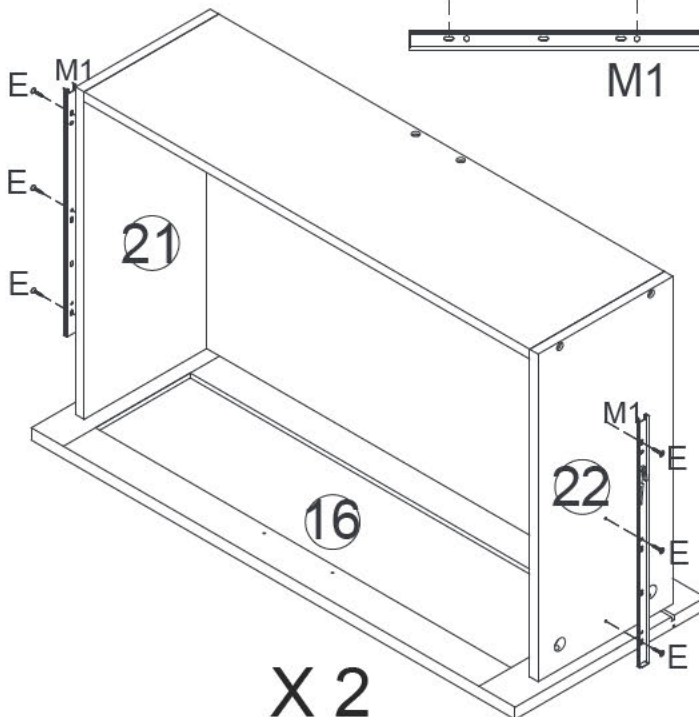
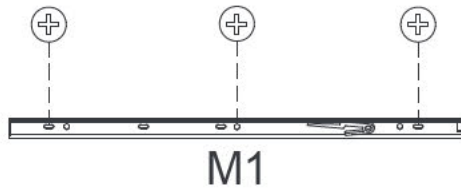
X 2

B



X 12

Step 40



X 2

M1



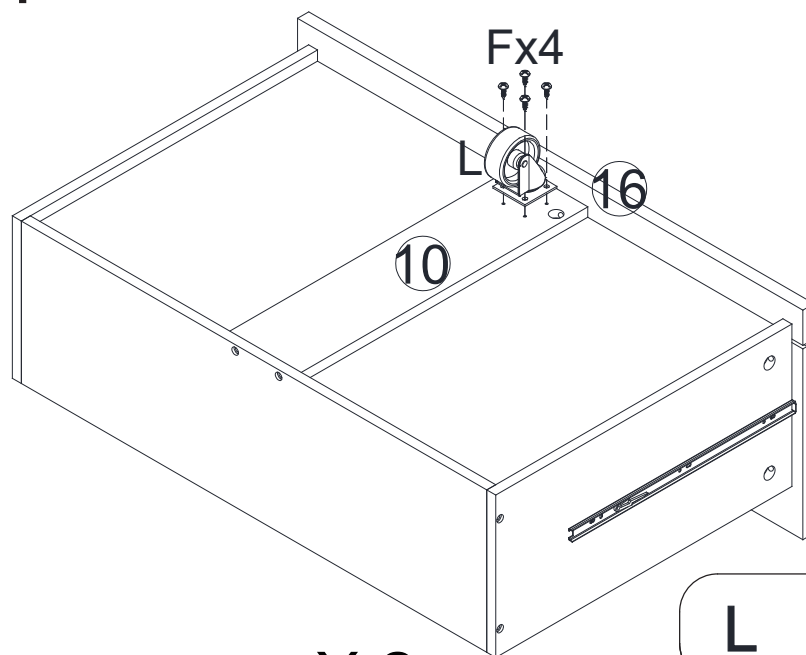
X 4

E



X 12

Step 41



X 2

L



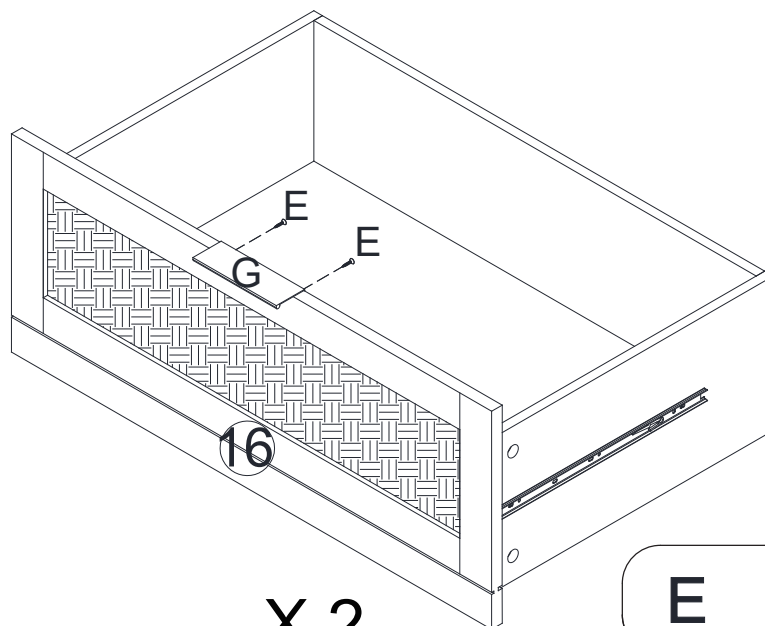
X 2

F



X 8

Step 42



X 2

E



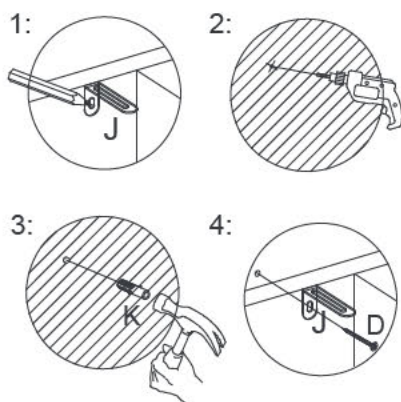
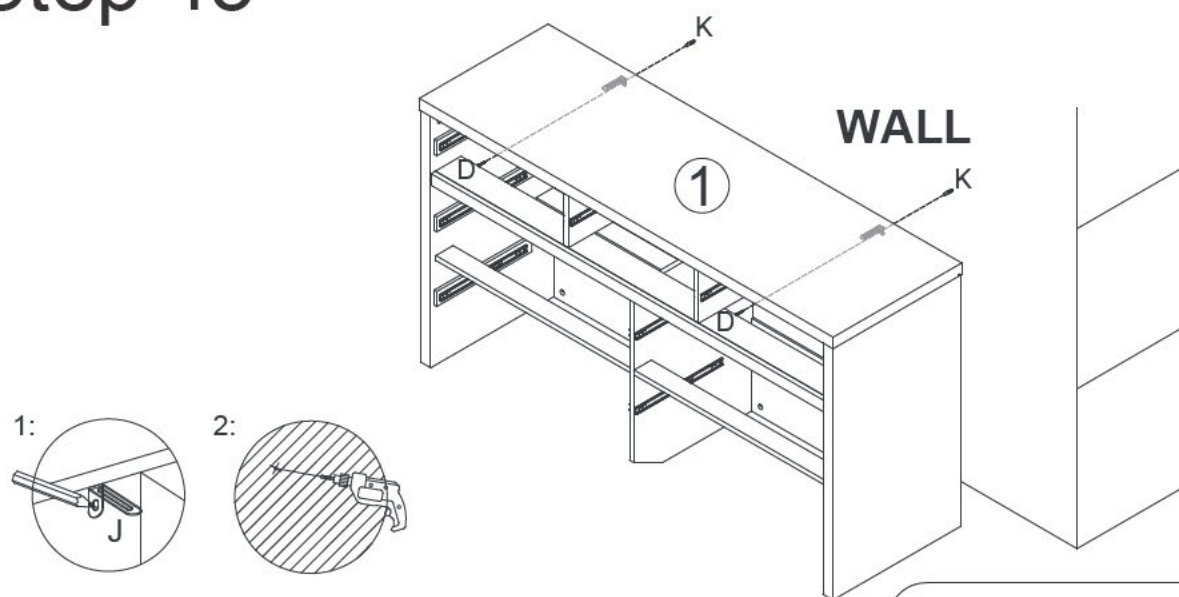
X 4



G



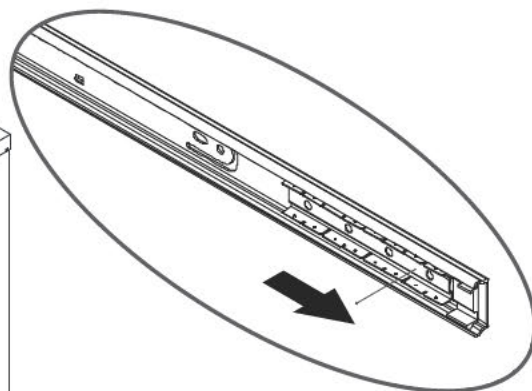
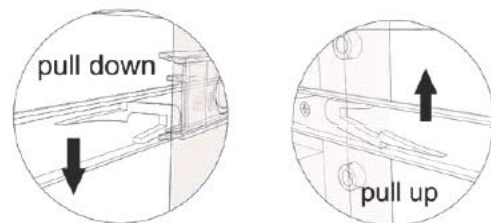
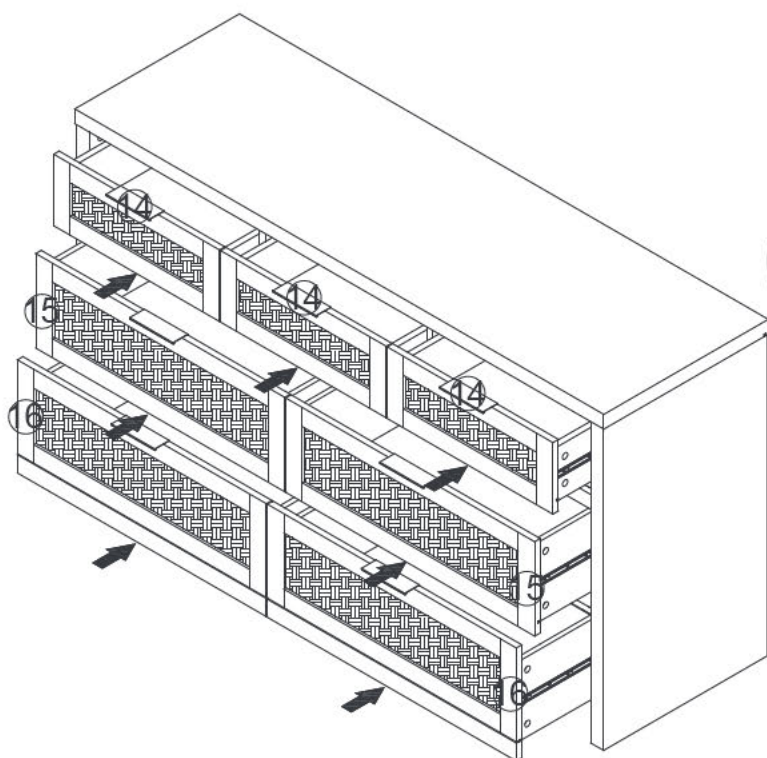
X 2

Step 43

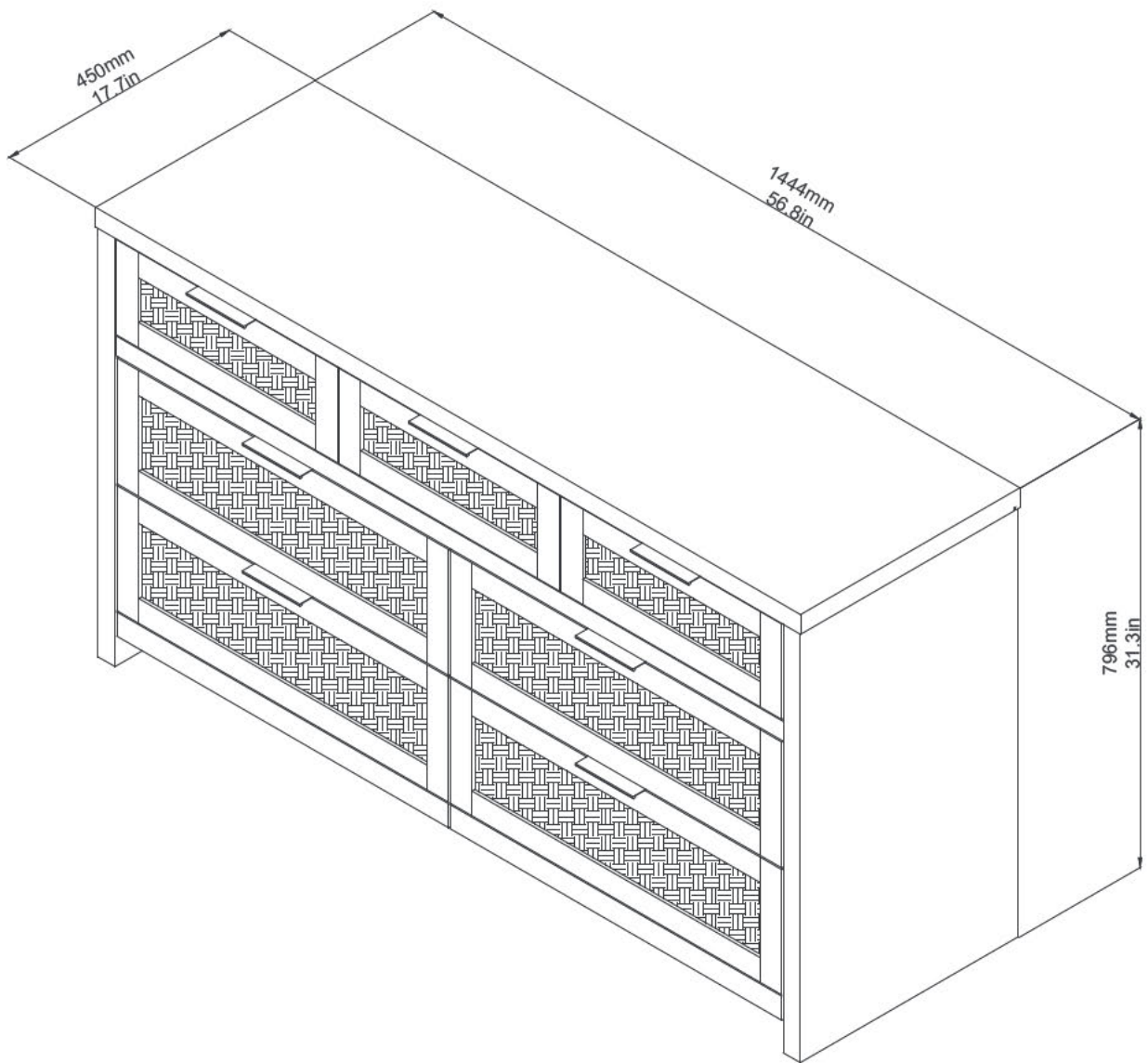


K		X 2
D		X 2

Step 44



Step 45



Final assmebly