




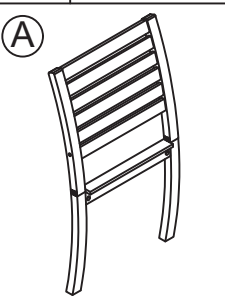


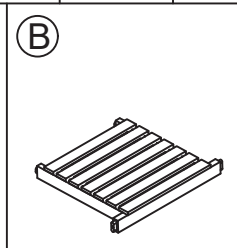
SKU: HY-007

# ASSEMBLY INSTRUCTION

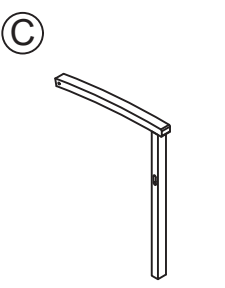
No	Hardware	Fig	Q.ty
①	Screws(7 x60)mm		8
②	Screws(7 x 70)mm		4
③	Blot (8 x 60)mm		4
④	Pads(8x25 x3)mm		4
⑤	Allen key (4)mm		2



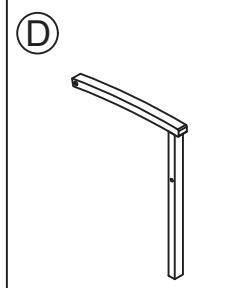
Chair Back x 2



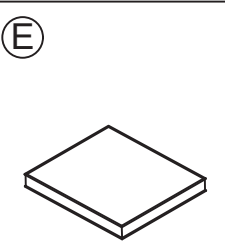
Seat Base x 2



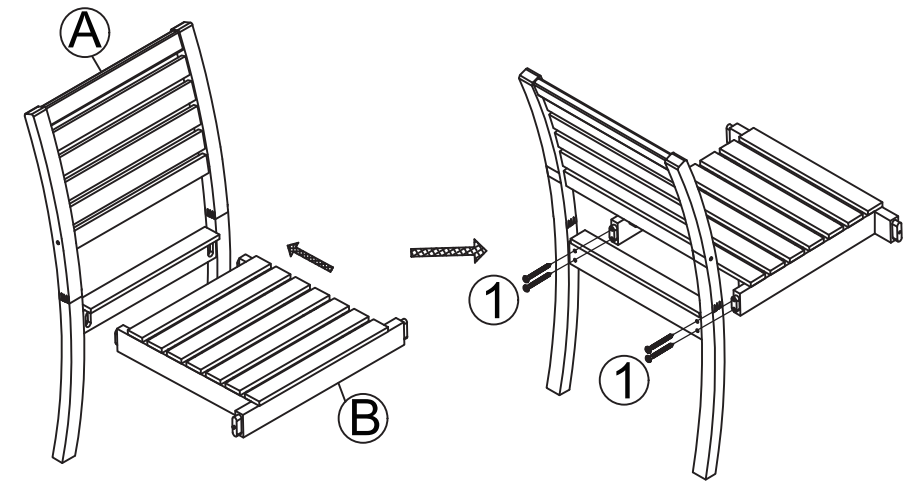
Left Armrest x 2



Right Armrest x 2

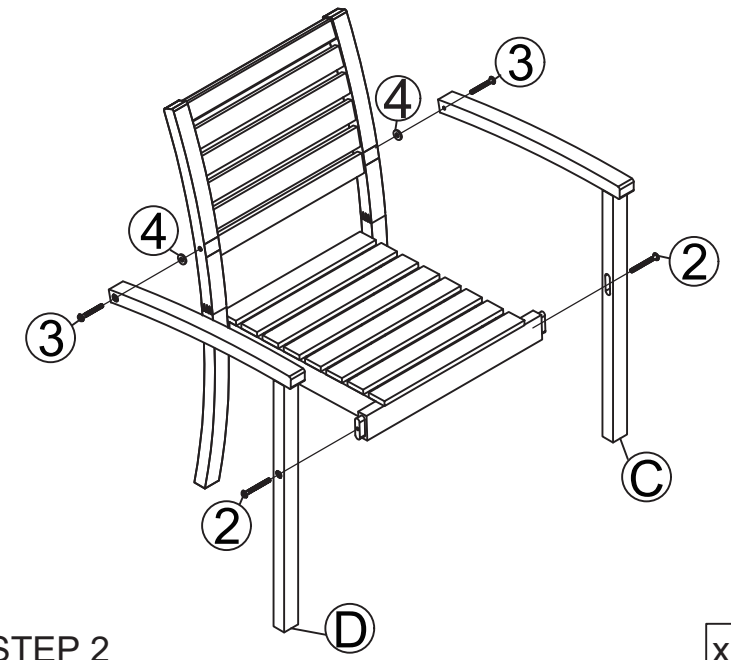


Cushion x 2



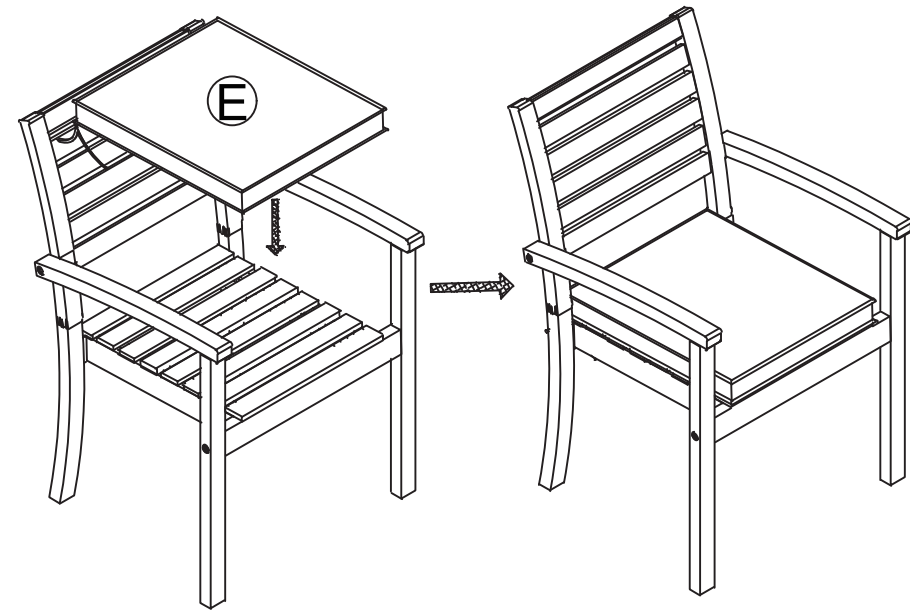
STEP 1

x2



STEP 2

x2



STEP 3

x2



STEP 4

x2

OK

SKU: HY-007

# ASSEMBLY INSTRUCTION

