

United  
States  
of  
America



*To Promote the Progress*



*of Science and Useful Arts*

*The Director*

*of the United States Patent and Trademark Office has received an application for a patent for a new, original, and ornamental design for an article of manufacture. The title and description of the design are enclosed. The requirements of law have been complied with, and it has been determined that a patent on the design shall be granted under the law.*

*Therefore, this United States*

*Patent*

grants to the person(s) having title to this patent the right to exclude others from making, using, offering for sale, or selling the design throughout the United States of America or importing the design into the United States of America for the term set forth by law.

*Coke Mayo Smead*

ACTING DIRECTOR OF THE UNITED STATES PATENT AND TRADEMARK OFFICE

## **Maintenance Fee Notice**

No maintenance fees are required in design patents.

## **Patent Term Notice**

If the application for this patent was filed on or after May 13, 2015, the term of this patent is 15 years from the date of grant of this patent, subject to any disclaimer under 35 U.S.C. 253. If the application for this patent was filed prior to May 13, 2015, the term of this patent is 14 years from the date of grant of this patent, subject to any disclaimer under 35 U.S.C. 253.



USOD1065608S

(12) **United States Design Patent**  
**Zhu**

(10) **Patent No.:** **US D1,065,608 S**

(45) **Date of Patent:** **\*\* Mar. 4, 2025**

(54) **SPLICED FLOOR**

(71) Applicant: **Mengli Zhu**, Zhejiang (CN)

(72) Inventor: **Mengli Zhu**, Zhejiang (CN)

(\*\*) Term: **15 Years**

(21) Appl. No.: **29/961,443**

(22) Filed: **Sep. 5, 2024**

(51) **LOC (15) Cl.** ..... **25-01**

(52) **U.S. Cl.**  
USPC ..... **D25/138**

(58) **Field of Classification Search**

USPC ..... D25/138-140, 143-147, 157-160, 163,  
D25/58, 113-118, 150  
CPC ... E04F 21/0092; E04F 13/0871; E04F 15/08;  
E04F 15/02; E04F 15/10; E04B 2/02;  
E04B 2/74; E04B 2/7422; E04B 2/7401  
See application file for complete search history.

(56) **References Cited**

**U.S. PATENT DOCUMENTS**

928,320	A	*	7/1909	Moore	.....	E04B 2/02 52/311.2
4,217,740	A	*	8/1980	Assanti	.....	E04F 15/08 D25/138
D272,474	S	*	1/1984	Belgiojoso	.....	D25/138
D530,027	S	*	10/2006	Yu	.....	D25/103
D610,270	S	*	2/2010	Li	.....	D25/158
D675,030	S	*	1/2013	Borders	.....	D5/62
D739,048	S	*	9/2015	Mouchet	.....	D25/138
D804,061	S	*	11/2017	Li	.....	D25/138
D851,788	S	*	6/2019	Downey	.....	D25/138
D880,011	S	*	3/2020	Jones	.....	D25/138
D905,292	S	*	12/2020	Nadalini	.....	D25/138
D905,293	S	*	12/2020	Nencioni	.....	D25/138

**OTHER PUBLICATIONS**

Gardenised Gray Garden Path Track Interlocking Stone, date first available Jul. 1, 2021 [online]. Available from the internet URL: <https://a.co/d/9ueyTOP> (Year: 2021).\*

Jojofony Stone Floor Interlocking Floor Tiles, date first available Dec. 13, 2023 [online]. Available from the internet URL: <https://www.amazon.com/jojofony-Interlocking-Natural-Outdoor-Decorate/dp/B0CQ47PRQM> (Year: 2023).\*  
Gardenised Interlocking Cobbled Stone Look Garden Pathway Tiles, customer review oldest May 21, 2021 [online]. Available from the internet URL: <https://a.co/d/9W0cJsM> (Year: 2021).\*

\* cited by examiner

*Primary Examiner* — Sandra Snapp

*Assistant Examiner* — Jasmine L. Comedy

(74) *Attorney, Agent, or Firm* — Michael David Eisenberg

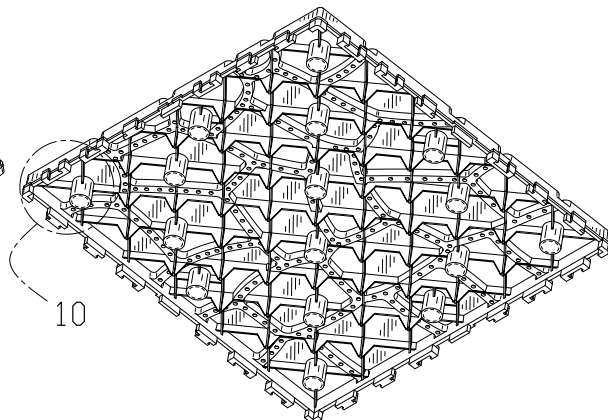
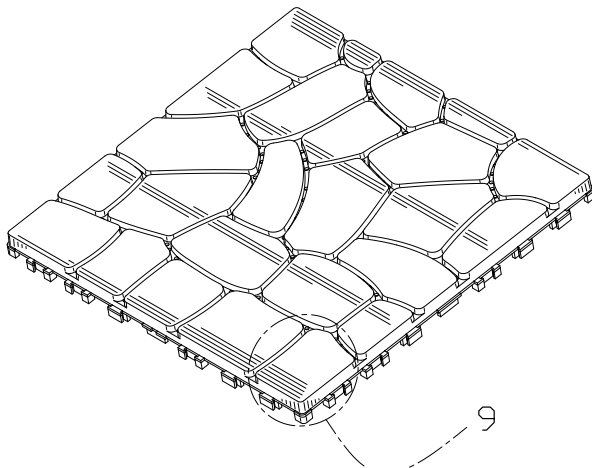
(57) **CLAIM**

The ornamental design for a spliced floor as shown and described.

**DESCRIPTION**

FIG. 1 is a front, right and bottom perspective view of a spliced floor, showing my new design.  
FIG. 2 is a rear, left and top perspective view thereof.  
FIG. 3 is a front elevation view thereof.  
FIG. 4 is a rear elevation view thereof.  
FIG. 5 is a left side elevation view thereof.  
FIG. 6 is a right side elevation view thereof.  
FIG. 7 is a top plan view thereof.  
FIG. 8 is a bottom plan view thereof.  
FIG. 9 is an enlarged view of detail 9 in FIG. 1; and,  
FIG. 10 is an enlarged view of detail 10 in FIG. 2.  
The dashed broken lines depict portions of the spliced floor that form no part of the claimed design.  
The dot-dash broken lines in FIGS. 1, 2, 9 and 10 depict the boundaries of the enlargements and form no part of the claimed design.

**1 Claim, 10 Drawing Sheets**



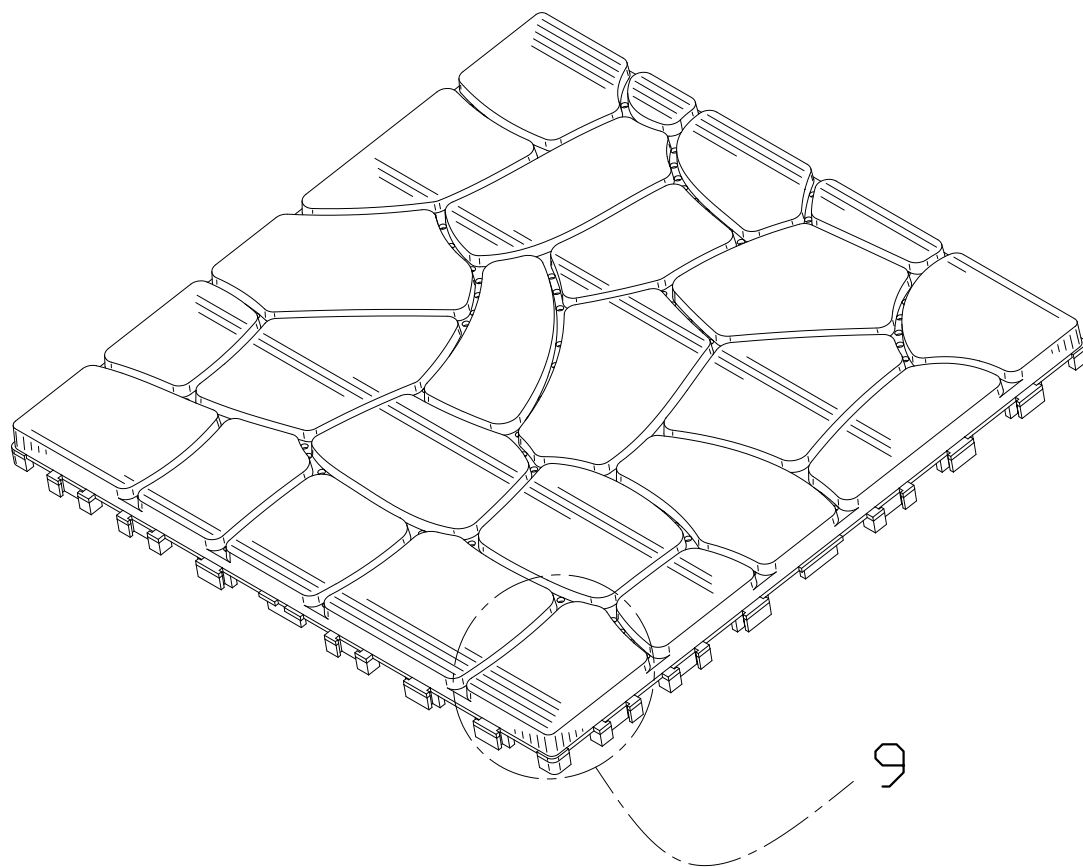


FIG. 1

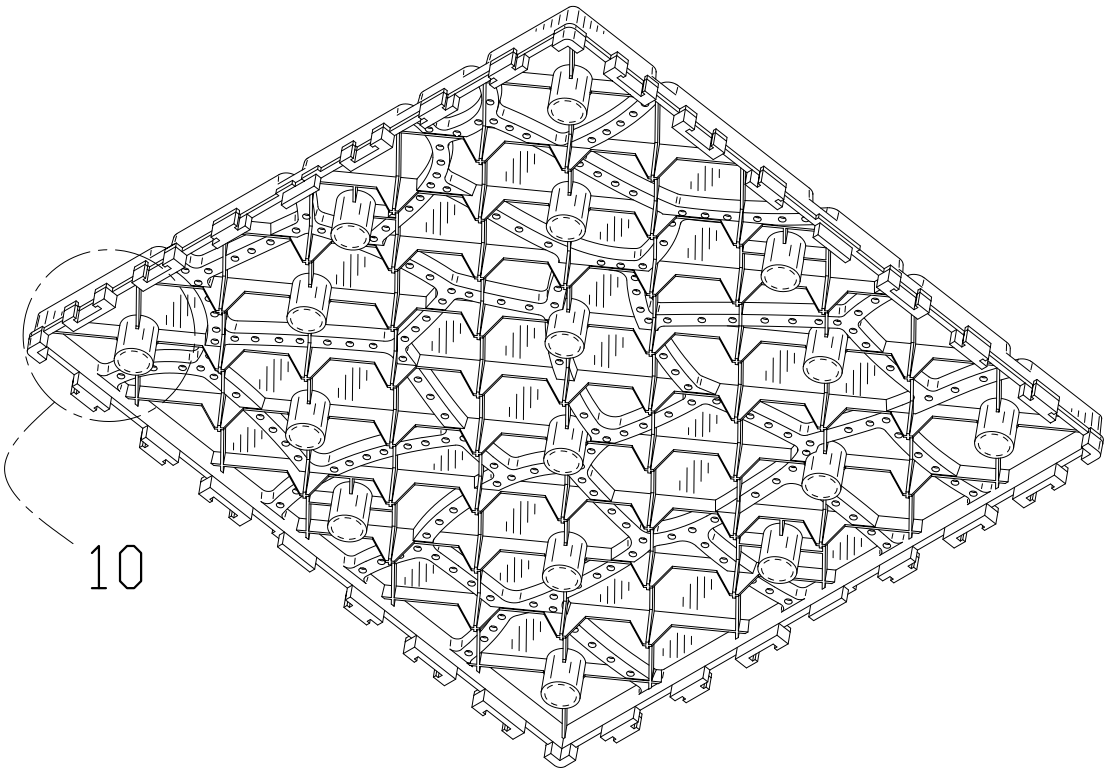


FIG. 2

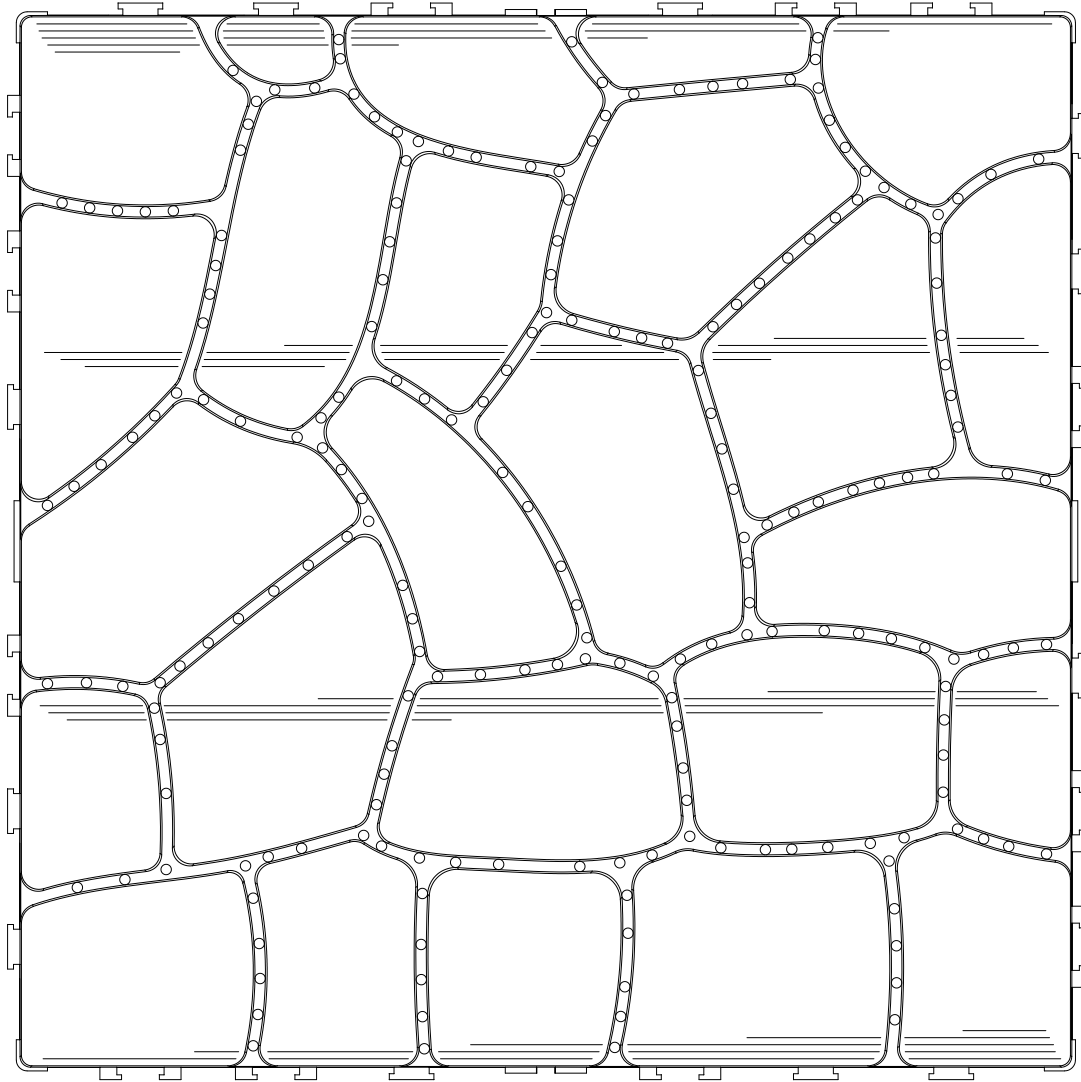


FIG. 3

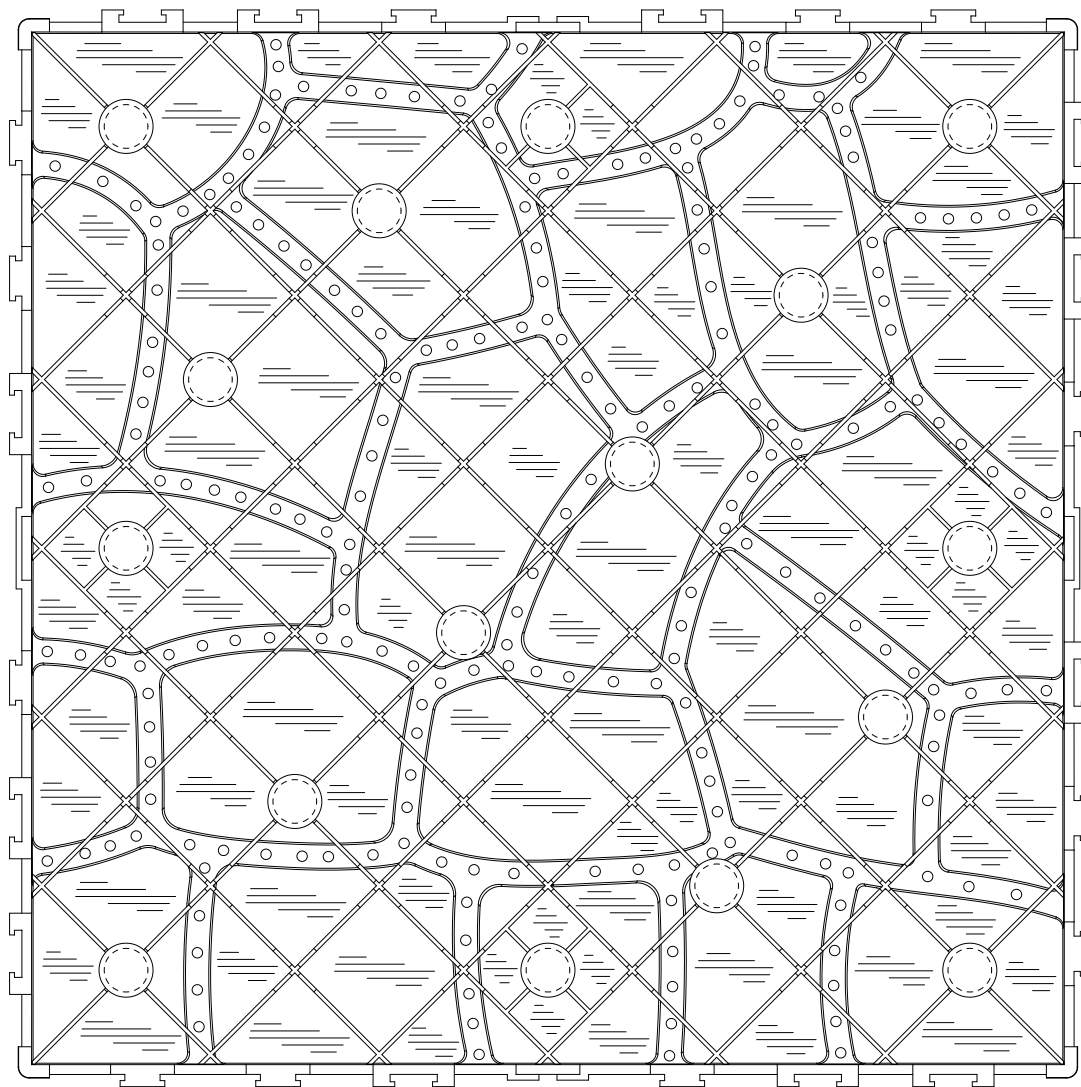


FIG. 4

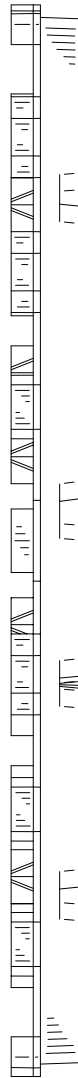


FIG. 5

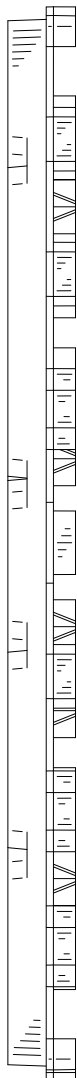


FIG. 6





FIG. 8

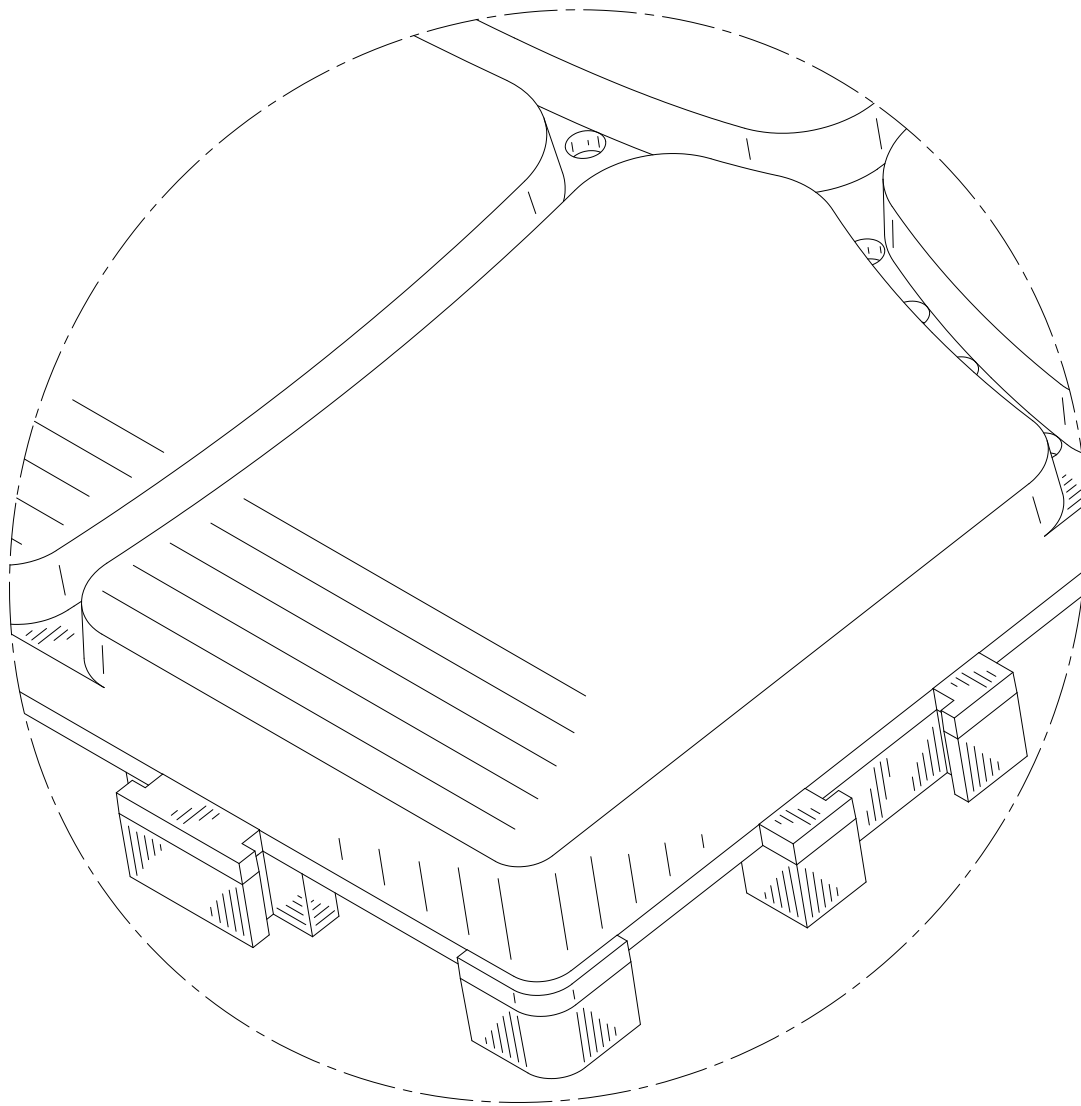


FIG. 9

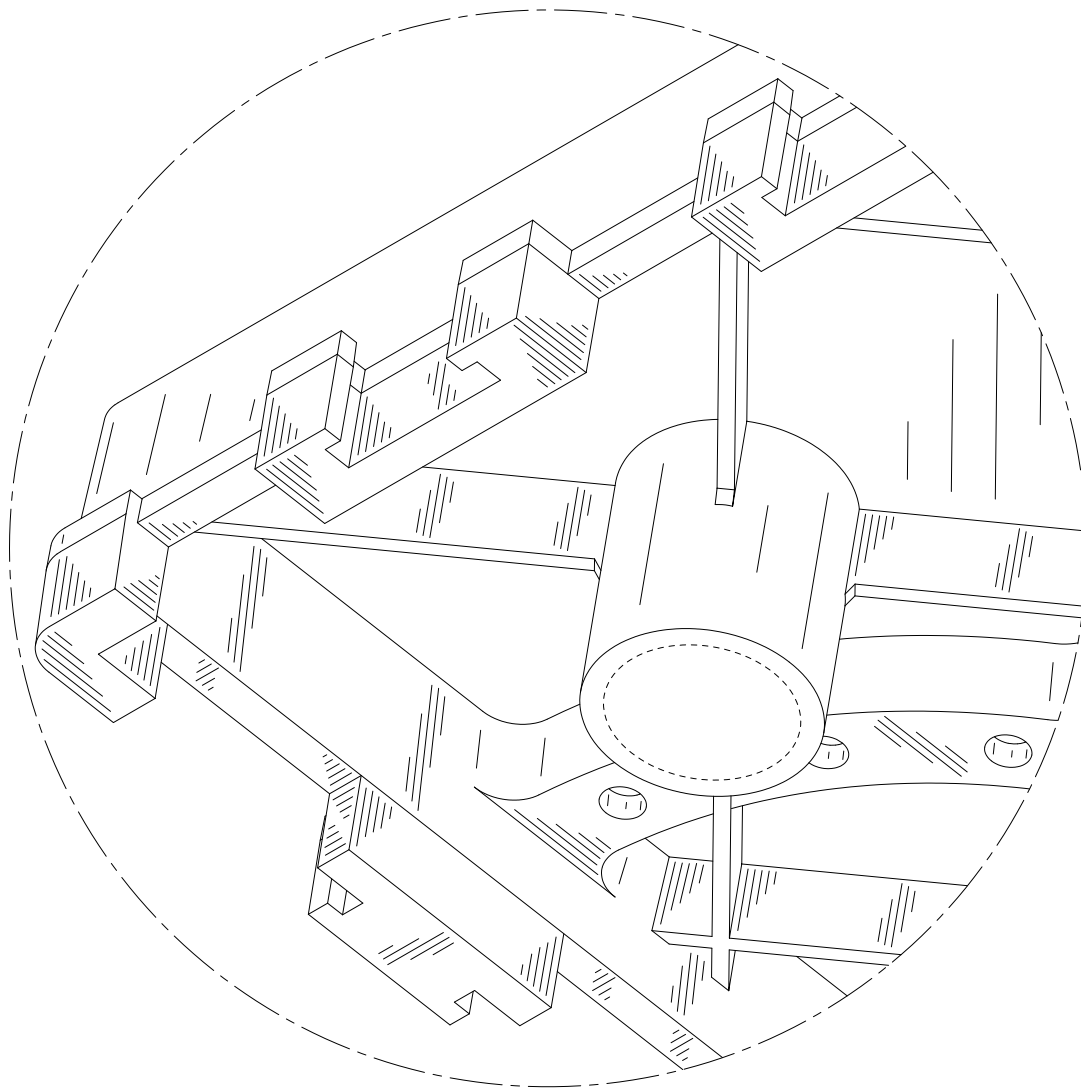


FIG. 10