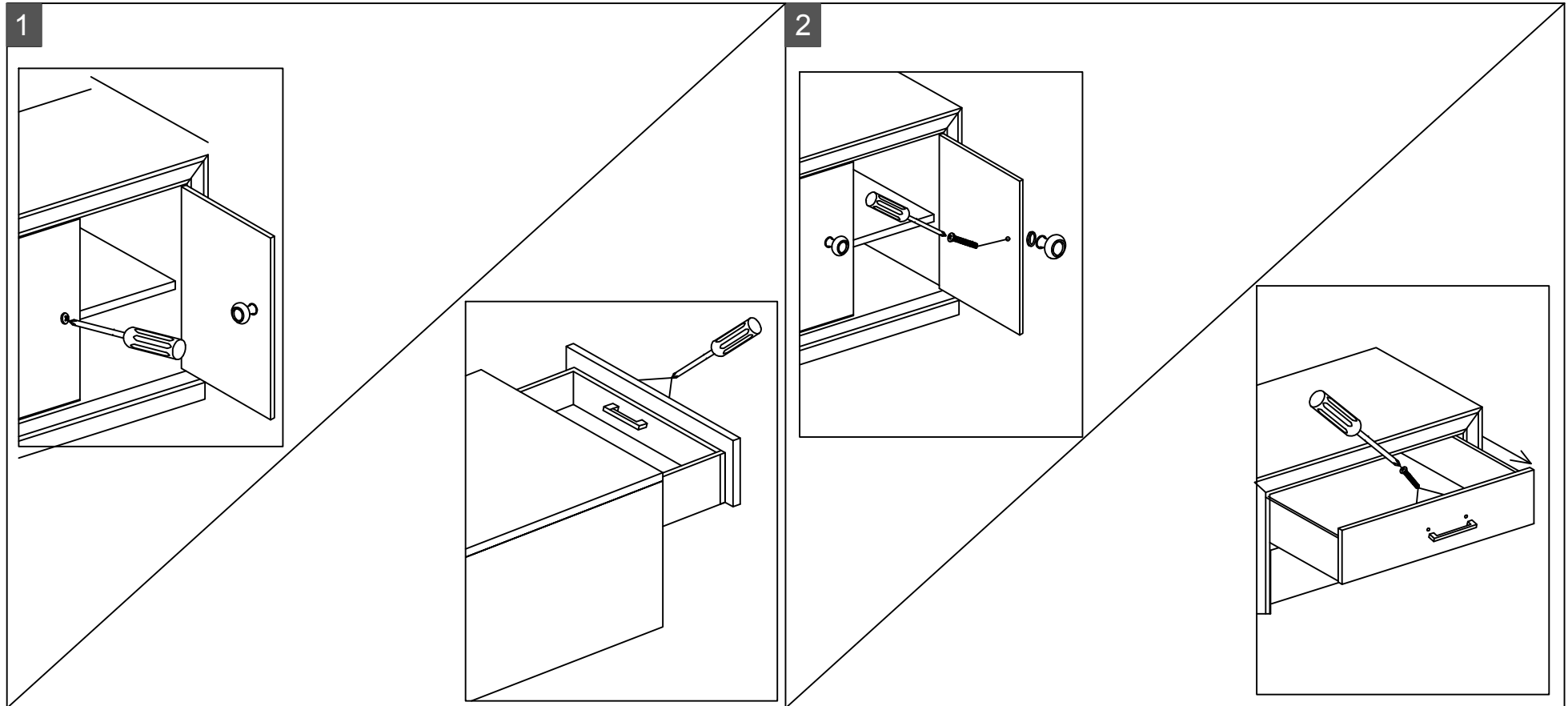


Tools Required for Assembly : Philips head screwdriver (not included)



Step 1 :  
Remove the handles from the inside of the drawer panel /door panel with the Phillips head screwdriver (tool is not included).

Step 2 :  
And then assemble it to the front side of the drawer panel /door panel and lock it with the Phillips head screwdriver (tool is not included).