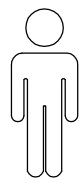
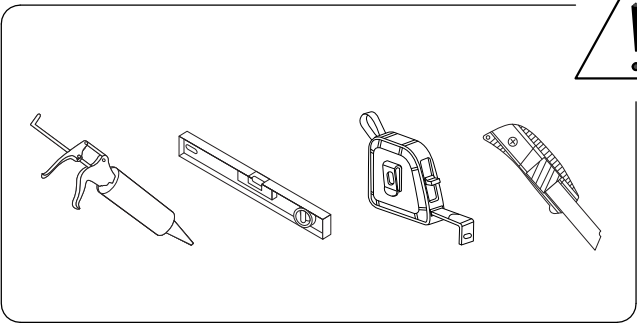
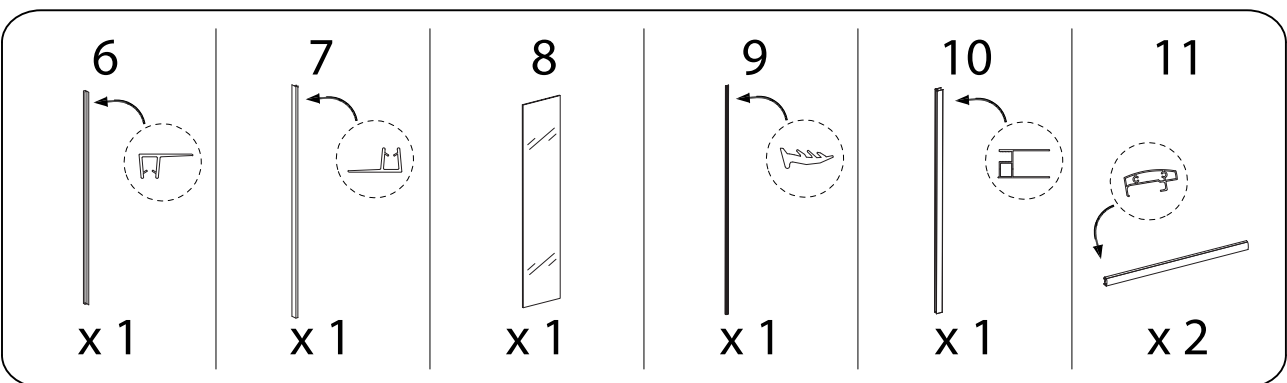
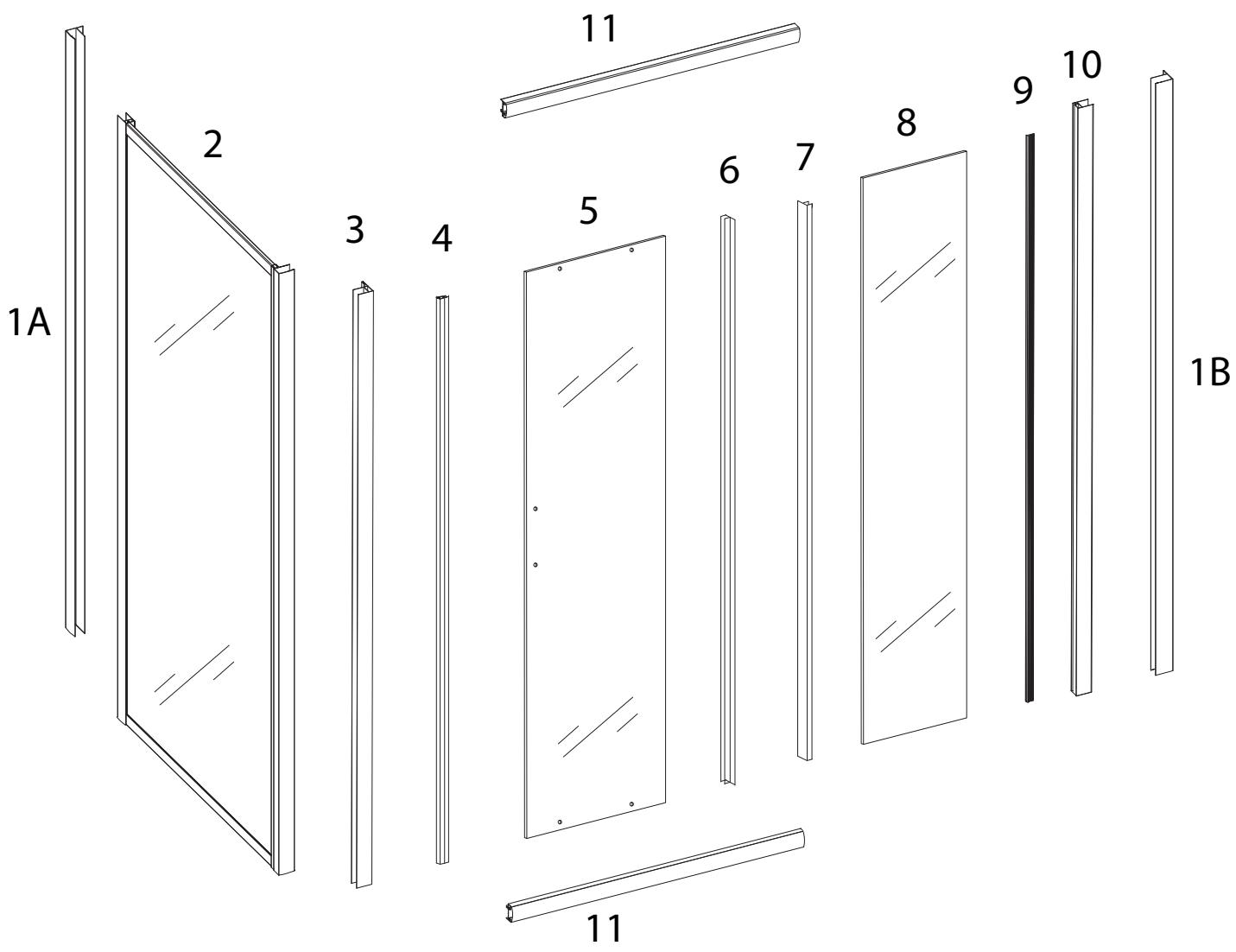
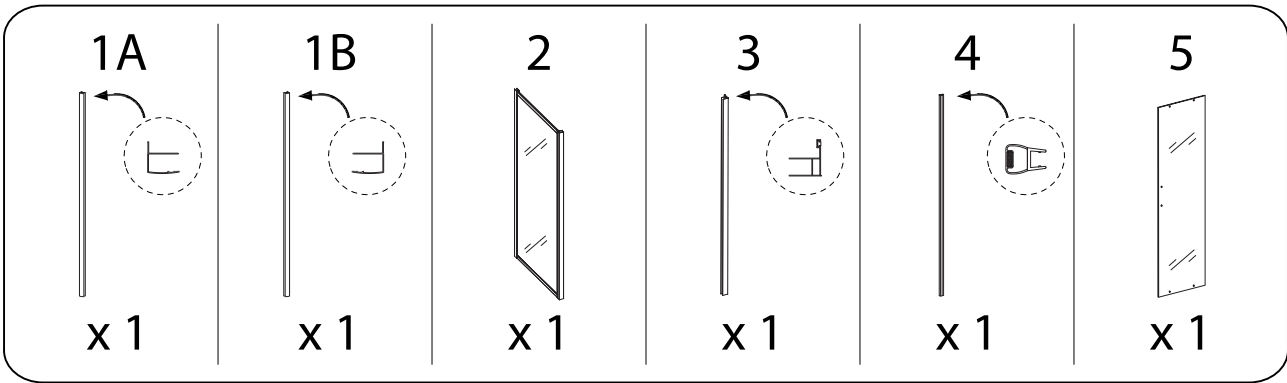
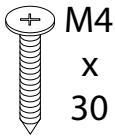
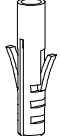
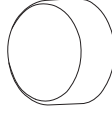

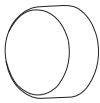

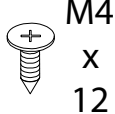
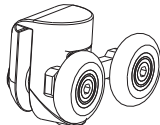
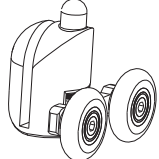
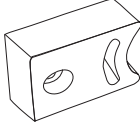
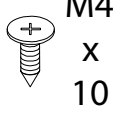
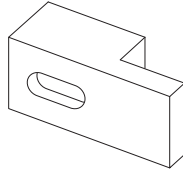
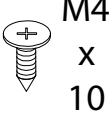
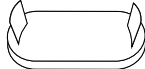
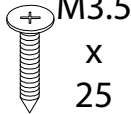
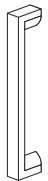
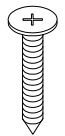
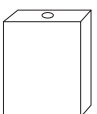
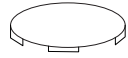
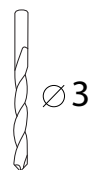


120'

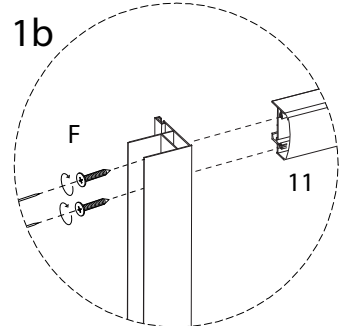
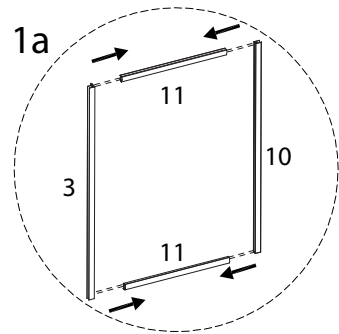
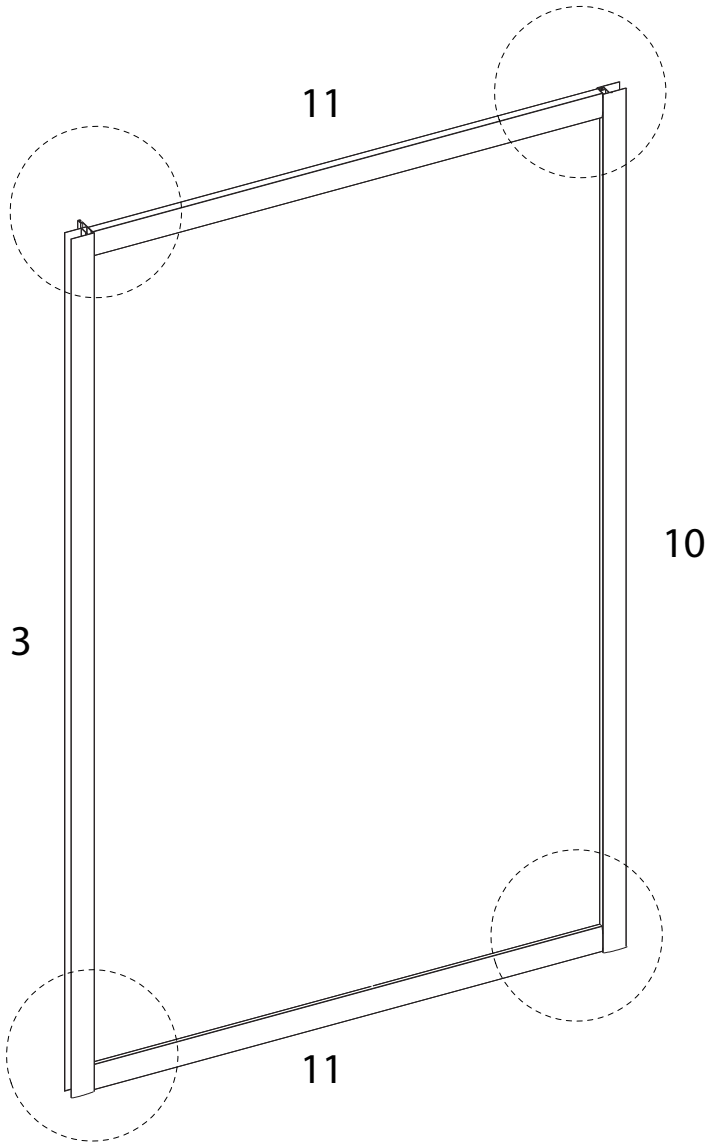
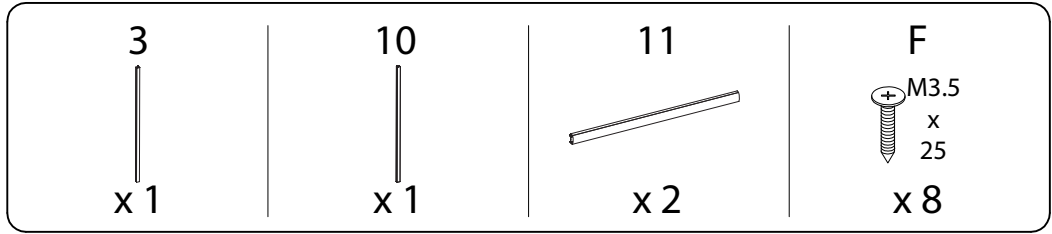


2

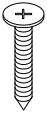





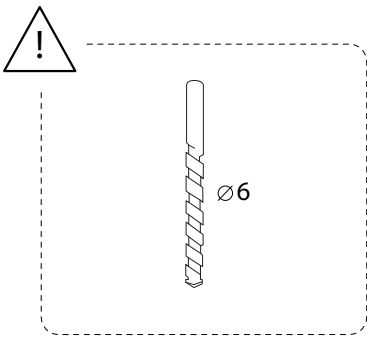
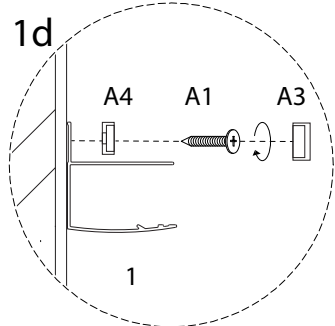
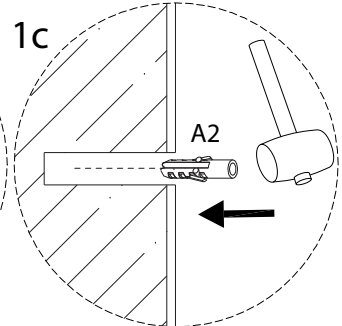
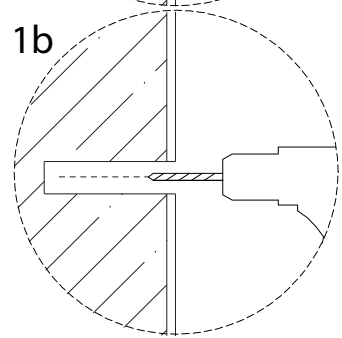
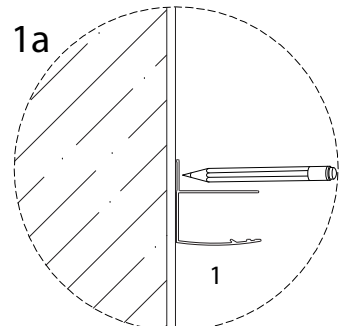
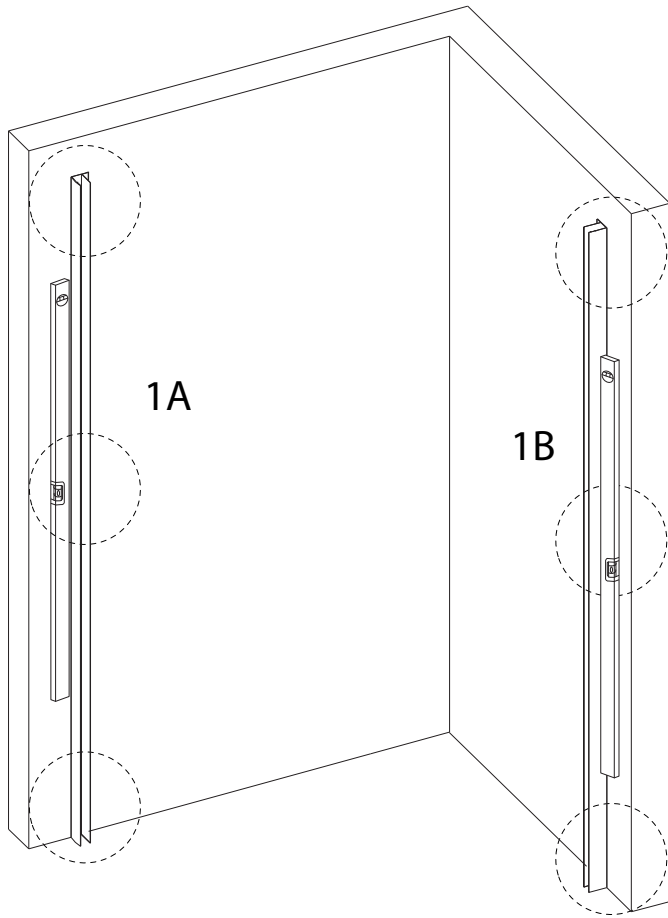
| | | | |
|--|---|--|---|
| <p>A1</p>  <p>M4 x 30</p> <p>x 6</p> | <p>A2</p>  <p>x 6</p> | <p>A3</p>  <p>x 6</p> | <p>A4</p>  <p>x 6</p> |
| <p>B1</p>  <p>x 9</p> | <p>B2</p>  <p>x 9</p> | <p>B3</p>  <p>M4 x 12</p> <p>x 9</p> | <p>C1</p>  <p>x 2</p> |
| <p>C2</p>  <p>x 2</p> | <p>D1</p>  <p>x 2</p> | <p>D2</p>  <p>M4 x 10</p> <p>x 2</p> | <p>E1</p>  <p>x 2</p> |
| <p>E2</p>  <p>M4 x 10</p> <p>x 2</p> | <p>E3</p>  <p>x 2</p> | <p>F</p>  <p>M3.5 x 25</p> <p>x 8</p> | <p>G1</p>  <p>x 1</p> |
| <p>G2</p>  <p>x 2</p> | <p>G3</p>  <p>x 2</p> | <p>G4</p>  <p>x 2</p> | <p>H</p>  <p>3</p> <p>x 1</p> |

1

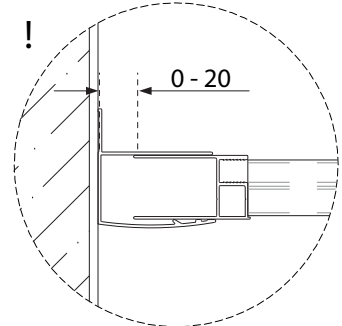
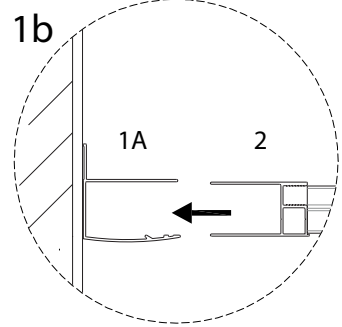
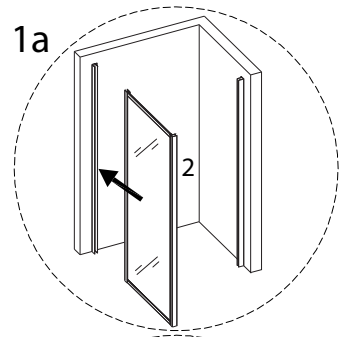
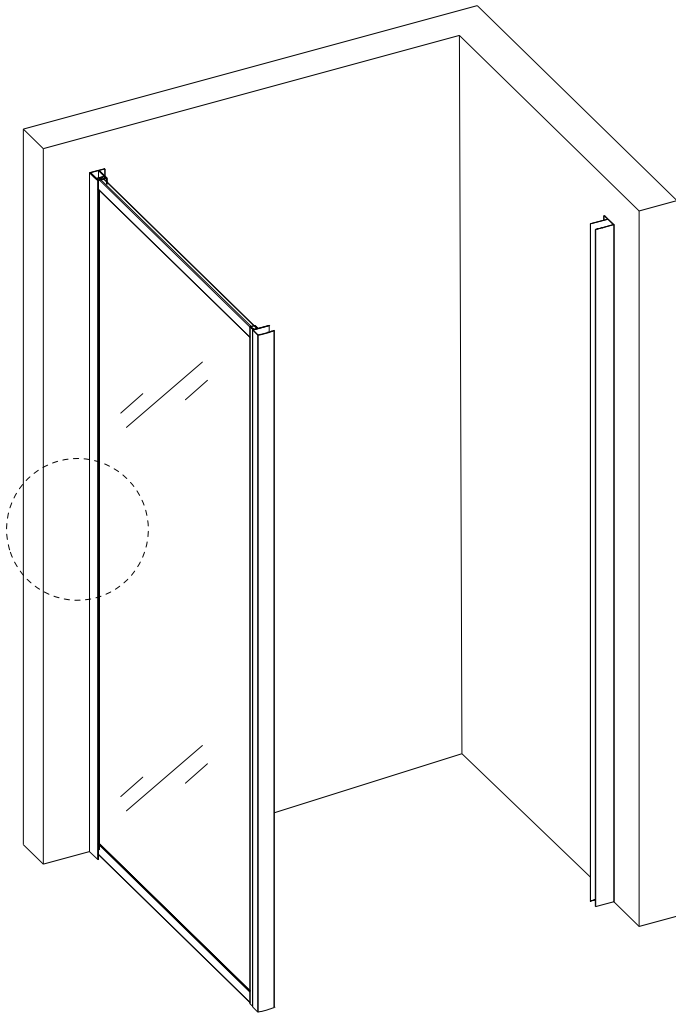
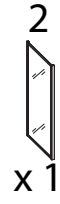


2

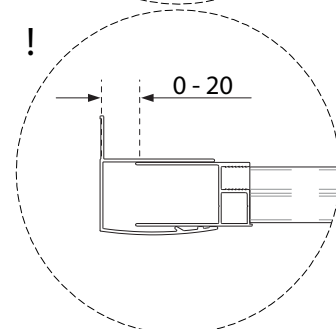
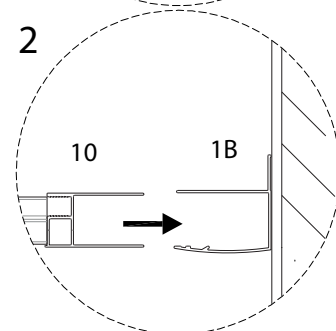
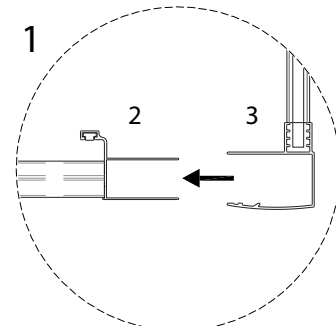
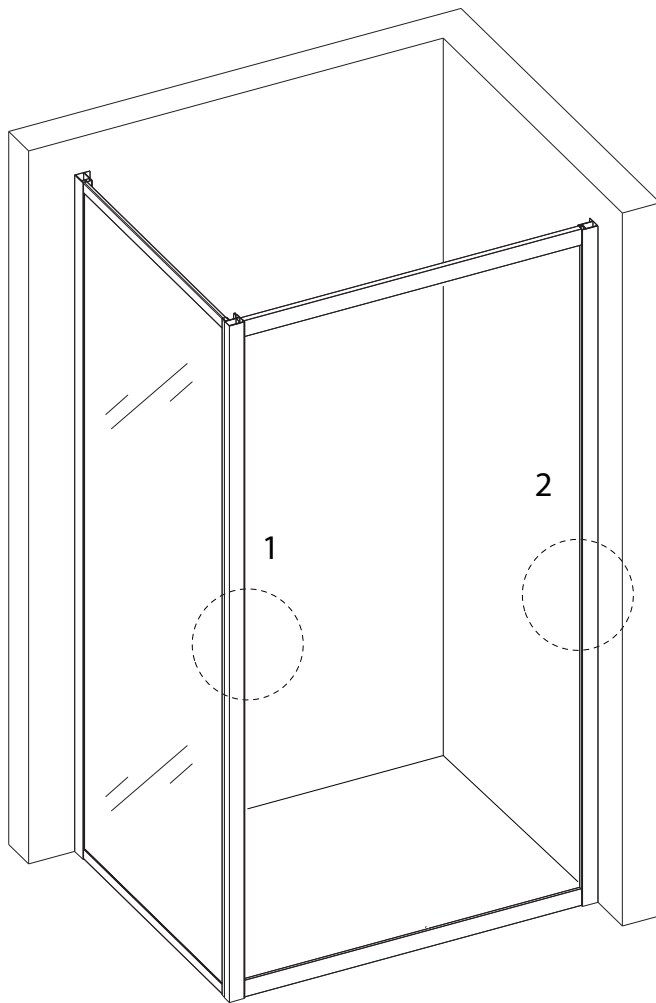
| | | | | | |
|-----------------------|-----------------------|---|--|---|---|
| 1A x 1 | 1B x 1 | A1  M4 x 30 x 6 | A2  x 6 | A3  x 6 | A4  x 6 |
|-----------------------|-----------------------|---|--|---|---|



3



4



5

B1



x 3

B2



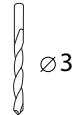
x 3

B3

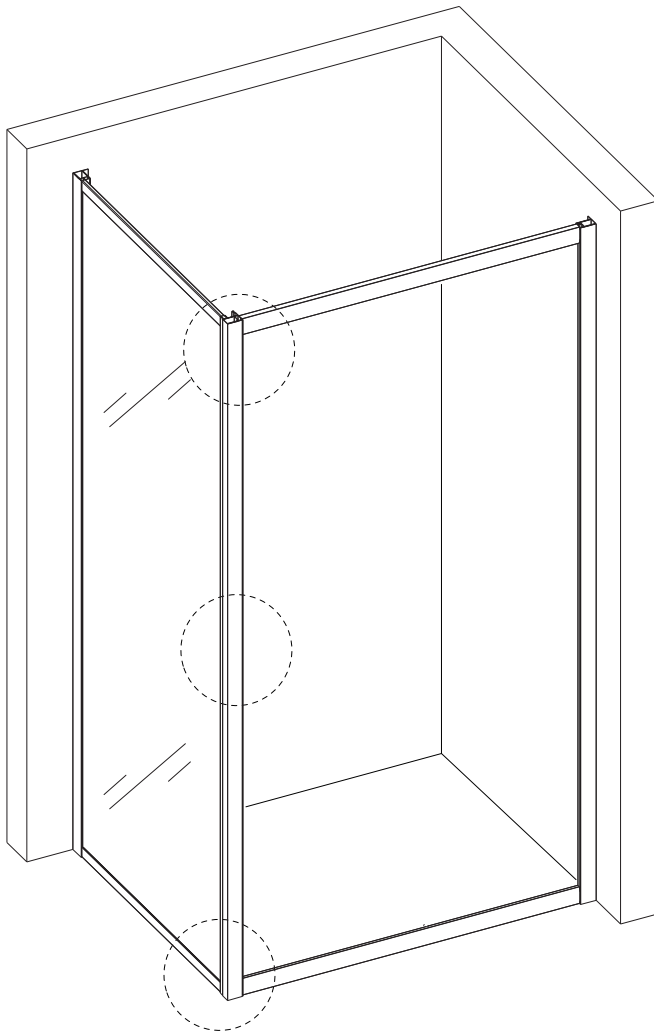


x 3

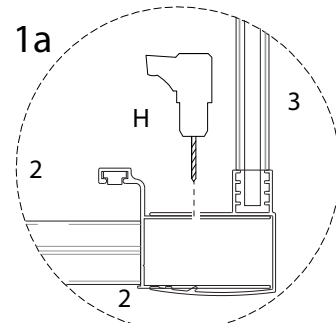
H



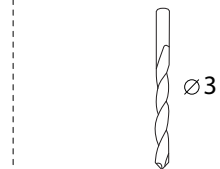
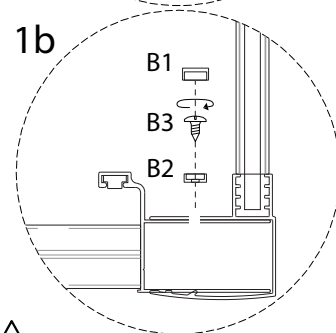
x 1



1a



1b



6

B1



x 6

B2



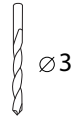
x 6

B3

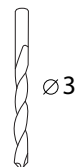
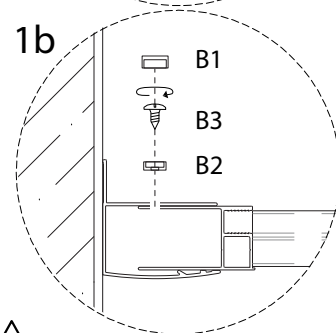
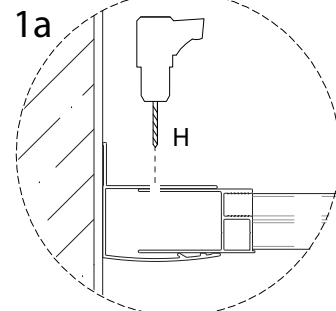
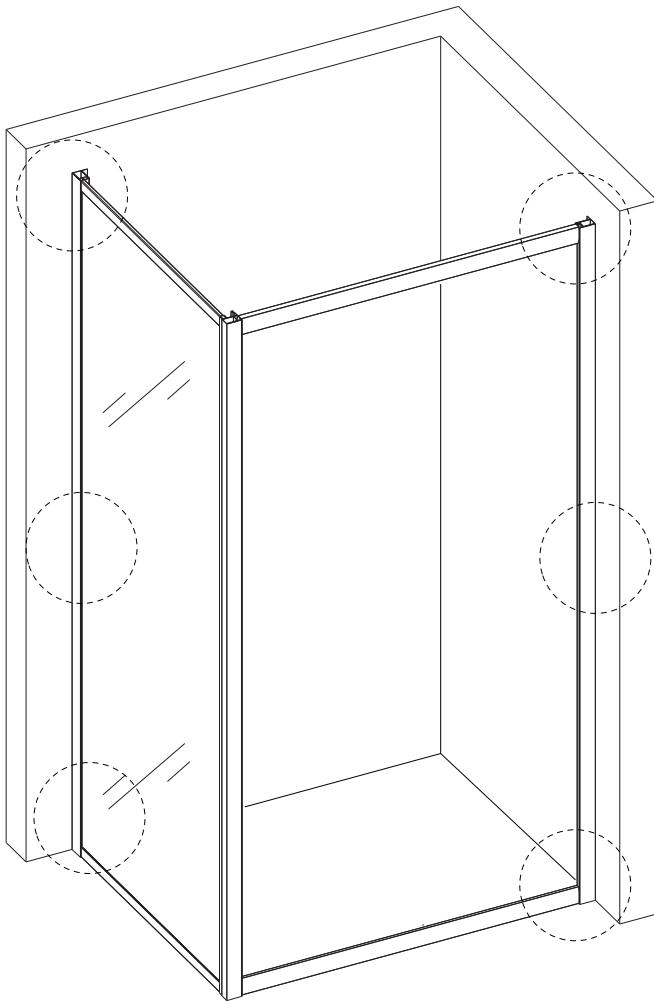


x 6

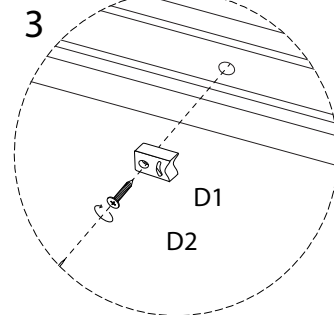
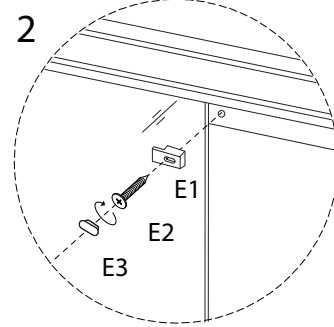
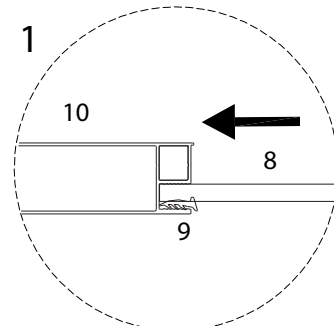
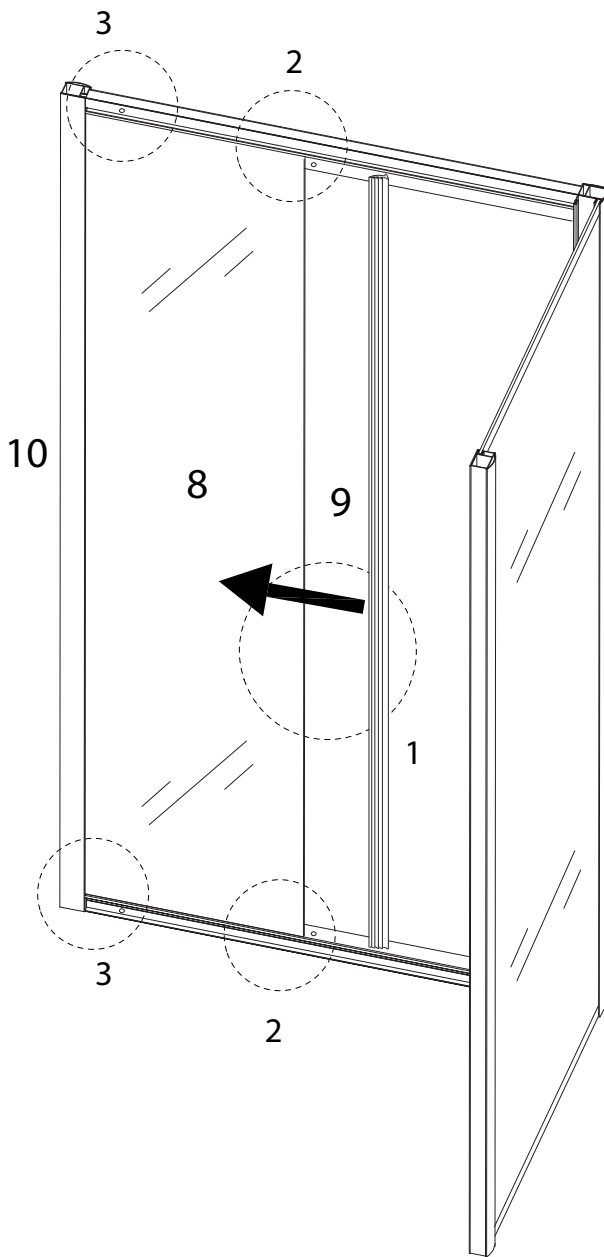
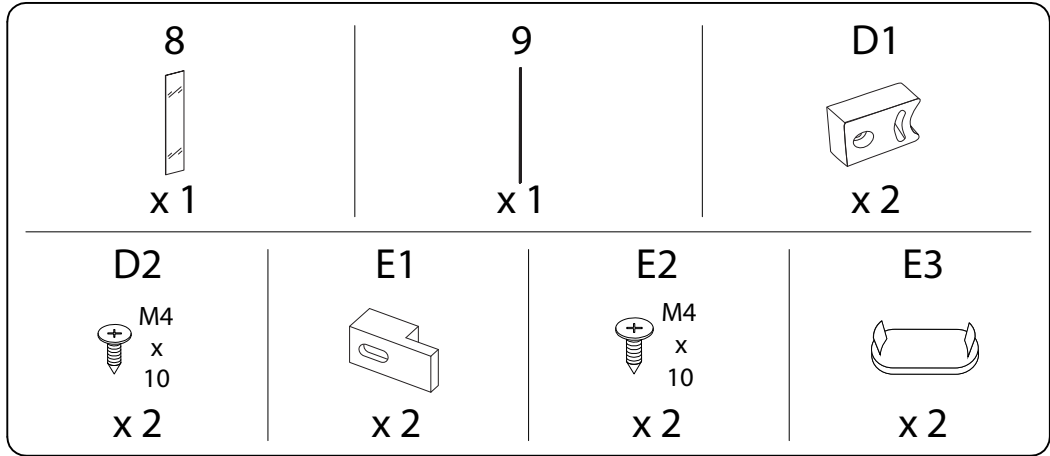
H



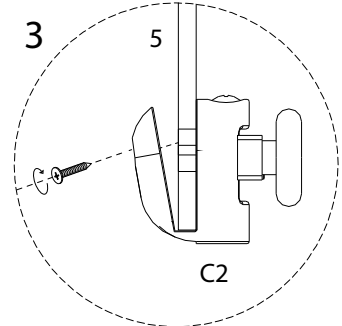
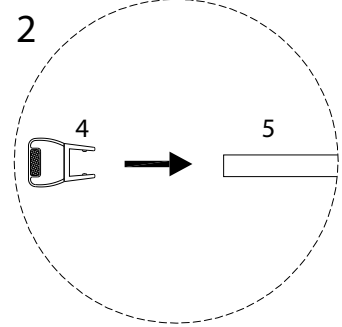
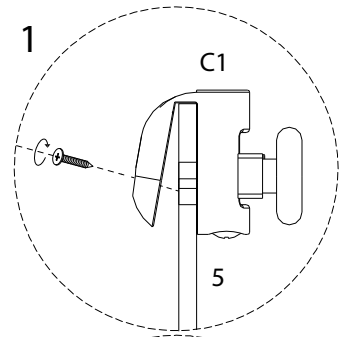
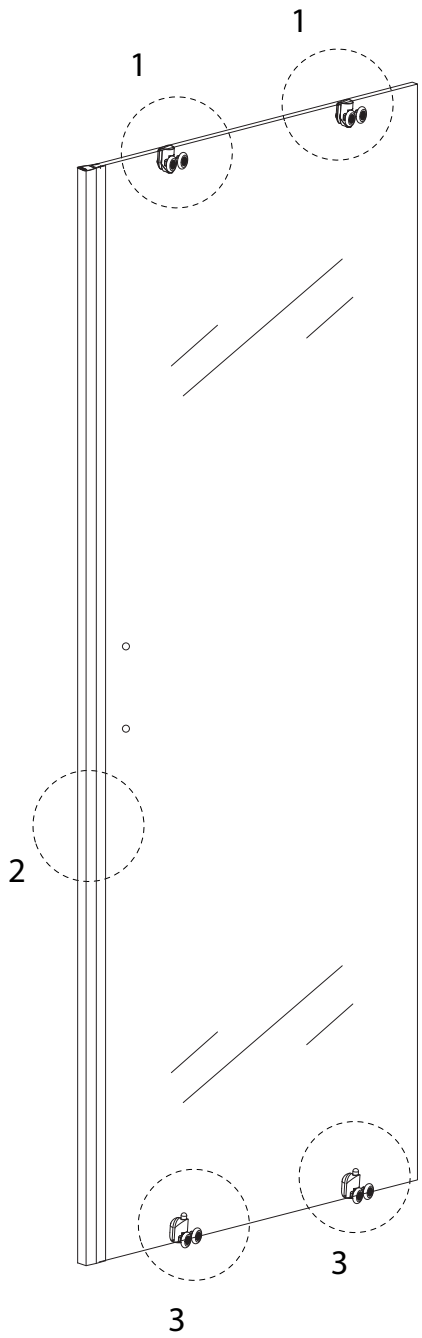
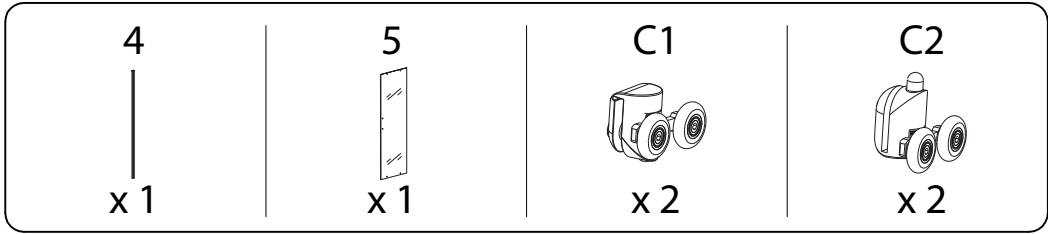
x 1



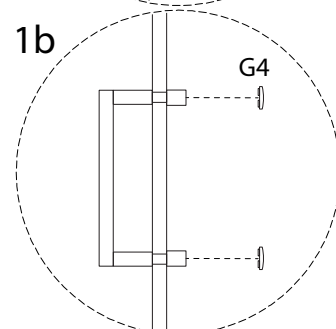
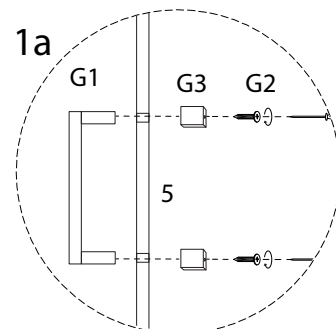
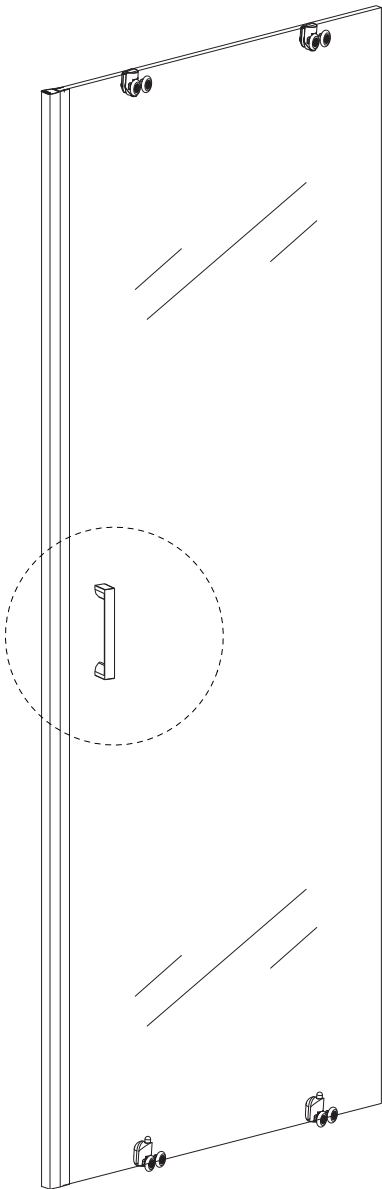
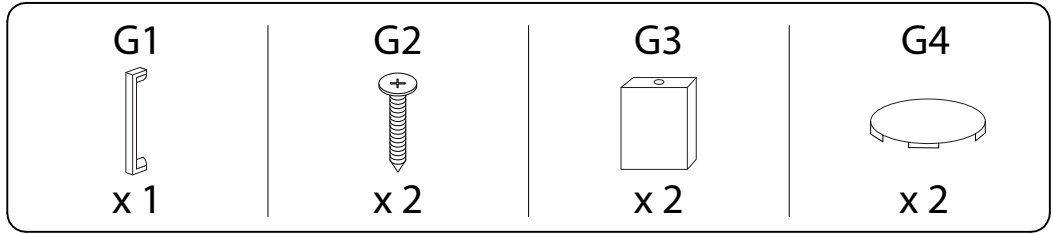
7



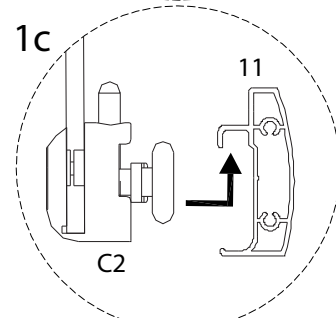
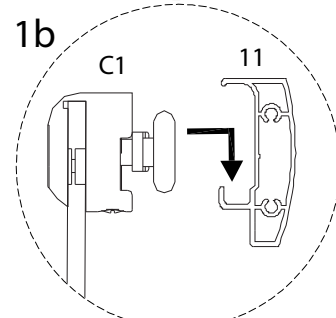
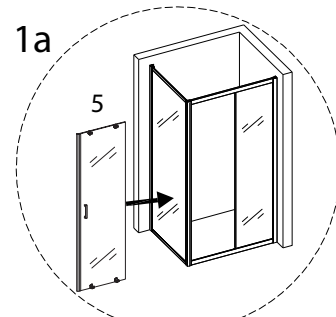
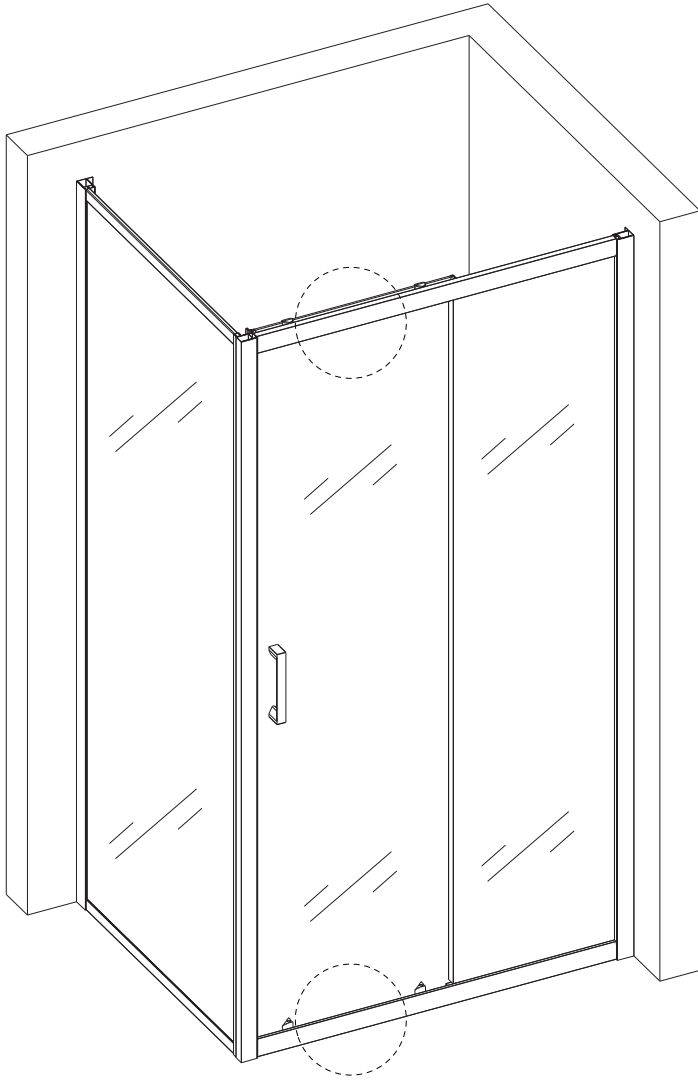
8



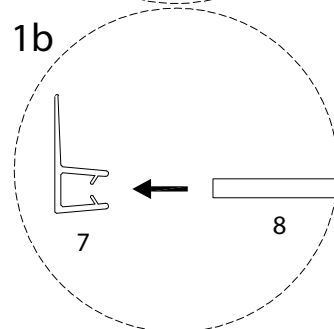
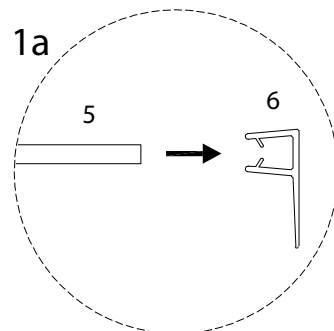
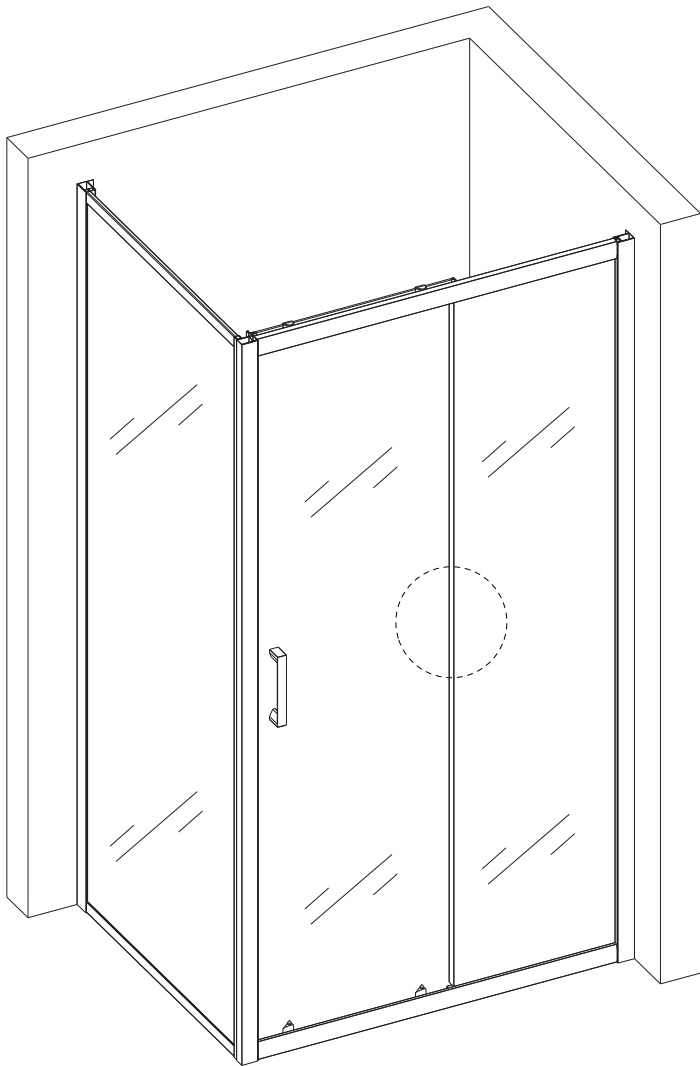
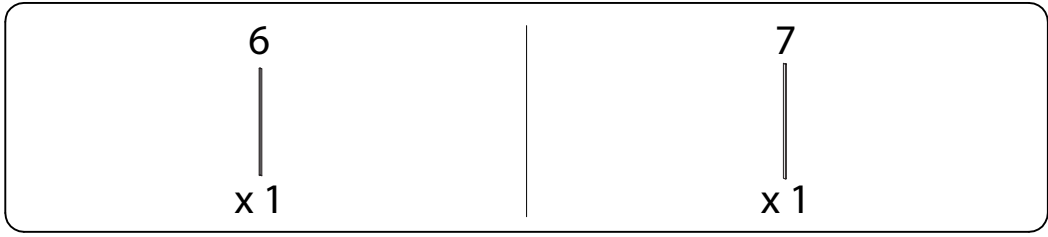
9



10



11



12

