

Assembly Instructions

CAUTION : You must read these Assembly Instructions before you proceed.



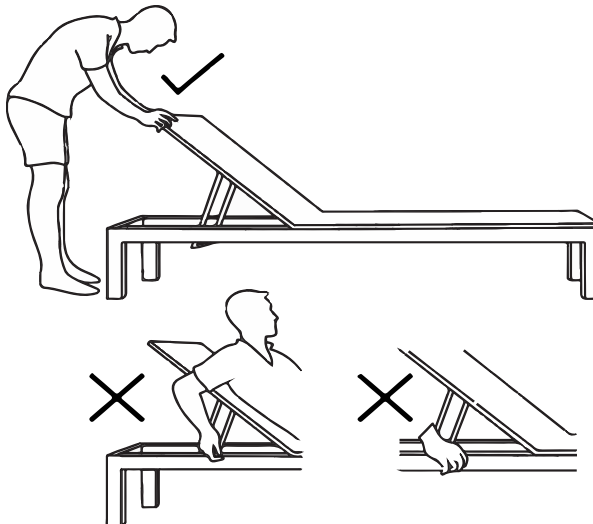
SAFETY WARNING

Never adjust chaise lounge or recliner backrest while seated.

Always make sure the backrest is flat before moving the chaise lounge.











Keep all limbs clear from under the backrest when it is in a raised position.

Serious finger, hand, or other bodily injuries may result from adjusting the chaise lounge backrest position while seated.



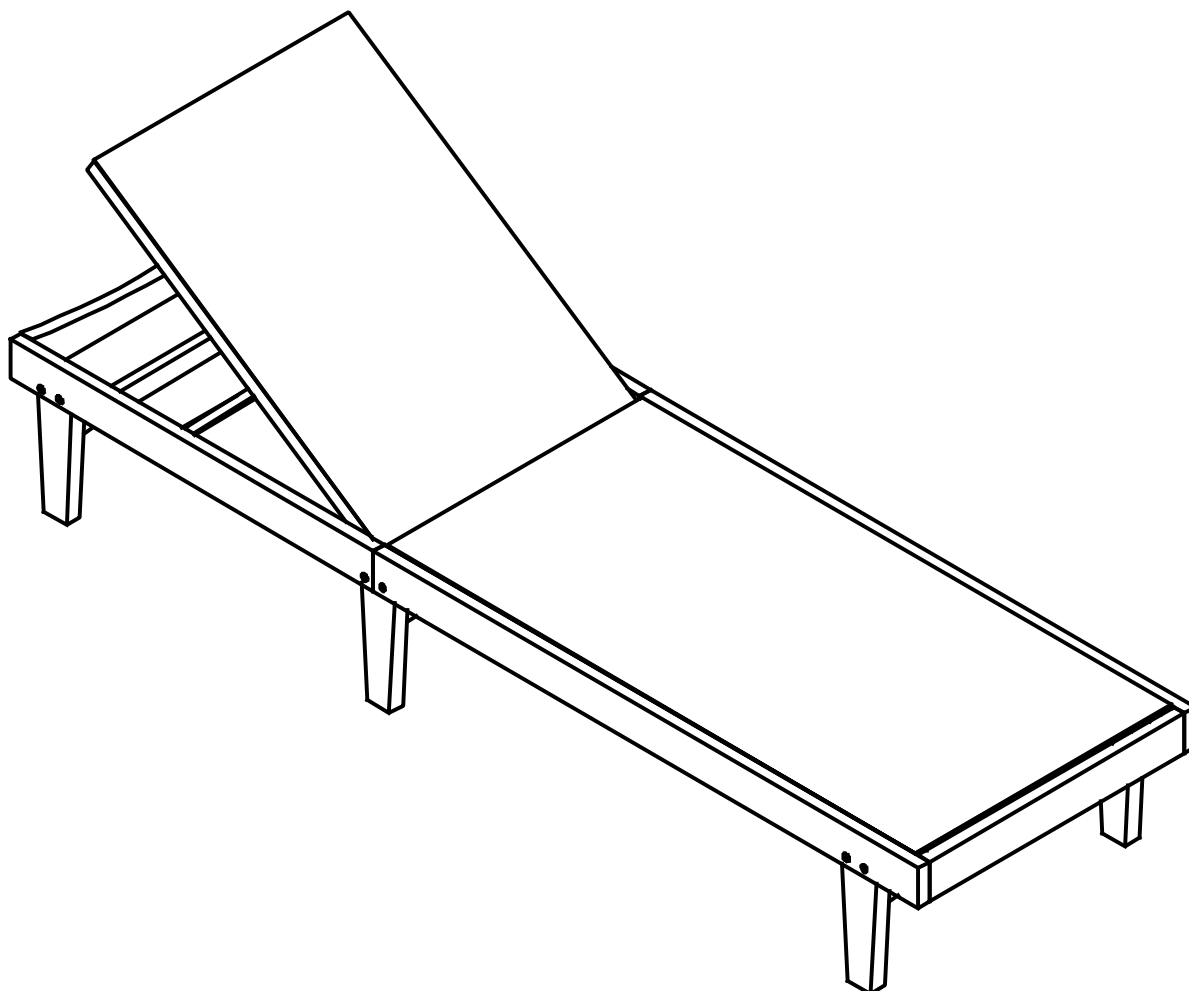
The examples pictured above are non exhaustive and are for your reference only

Care & Maintenance

- ⊘  ● Not for commercial use. For residential use only.
- ⊘  ● Prolonged exposure to rain may cause rusting which can stain floors.
- ⊘  ● Do not put hot items directly on furniture surface.
- ⊘  ● Do not clean furniture with harsh cleansers or polish.
- ✓  ● To obtain the longest lifespan of your outdoor products, minimizing exposure to direct sunlight is recommended.
- ⊘  ● Children should not climb or jump on the furniture.
- ⊘  ● Do not write on furniture without a padded barrier to protect the surface.
- ✓  ● To obtain the longest lifespan of your outdoor products, avoid extended and lengthy exposure to rain, snow, and direct sunshine. Whenever possible cover the product and /or place under patio or awnings.
- ⊘  ● Stains may be removed with mild soap solution and damp cloth.
- ✓  ● Keep away from sources of ignition.
- ✓  ● Dust and pick-up spills using a clean, non-colored, lint-free cloth.

Please look underneath the seat panel for all hardware.

SUNLOUNGER

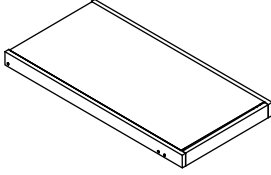
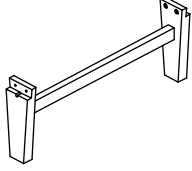
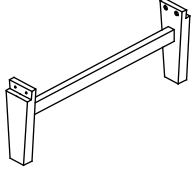
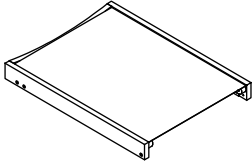


CAUTION : This Sunlounger is NOT a TOY.


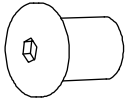
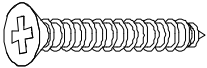

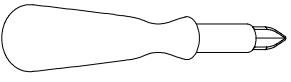
Keep your child/children at bay during the assembly process.

Whenever moving/lifting the sunlounger and to prevent damage to the sunlounger, two adult partners may be needed to execute these actions.

Parts list:

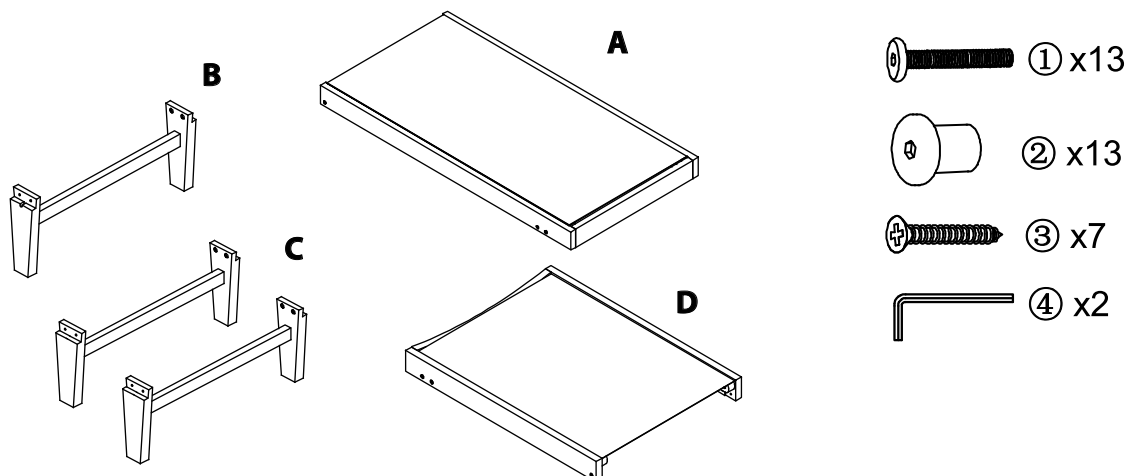
Label	Picture	Description	Qty
A		Seat panel	1
B		Leg frame center	1
C		Leg frame Front and Back	2
D		Backrest Panel	1

Hardware:

Label	Picture	Description	Qty
①		Bolt (M6x30mm)	13
②		Sleeve Nut (M6x13mm)	13
③		Screw (M4x30mm)	7
④		Allen Wrench	2
⑤		Screwdriver (Not provided)	1

Assembly Preparation:

Before Beginning Assembly:



• Read instructions, cover to cover.



• Have 2 adults on hand for assembly.



• Do not assemble on flooring or carpet.



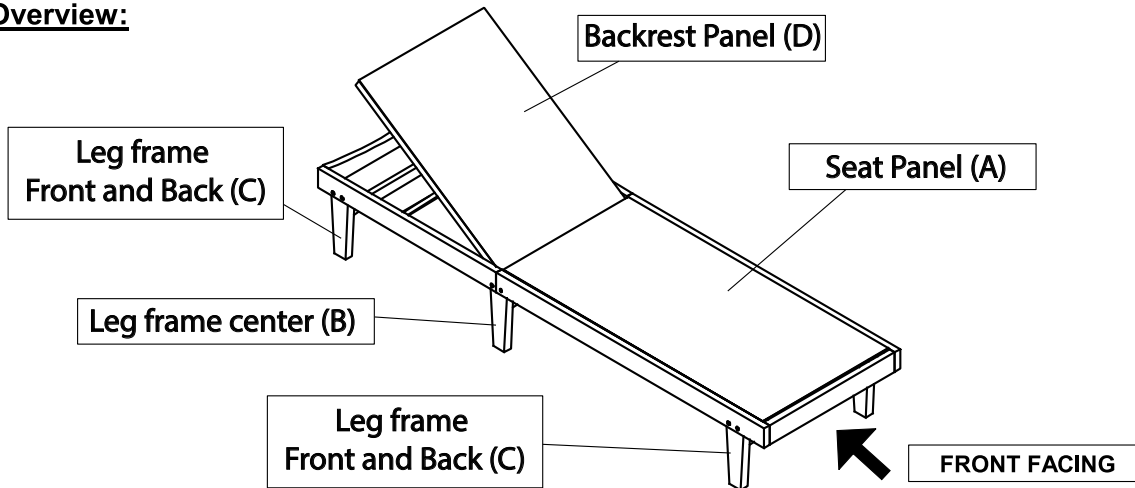
• Assemble on a clean non-marring surface (packing foam).



• Save all packaging until finished.

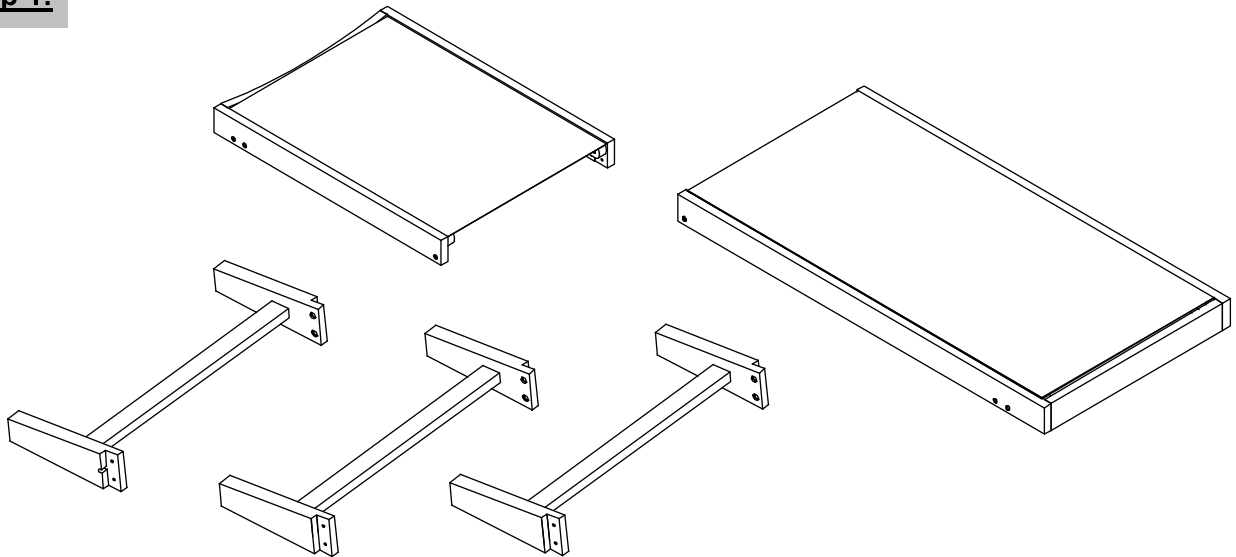
Assembly Steps:

Overview:



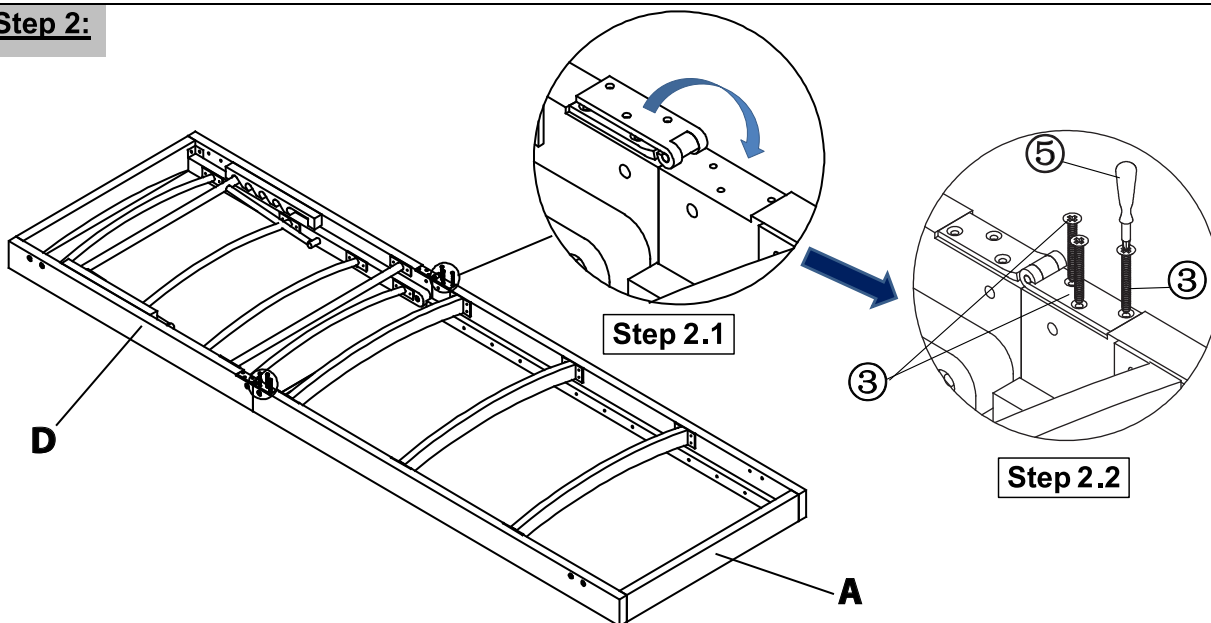
This Sunlounger has multiple parts and may require up to 30 minutes to assemble. To give you an overview of the Sunlounger parts, the above picture is to help you put the various parts into perspective. Please read through the instructions below to familiarise yourself with the parts and steps before assembly.

Step 1:



Unpack and place all parts on a clean, non-marring surface.

Step 2:



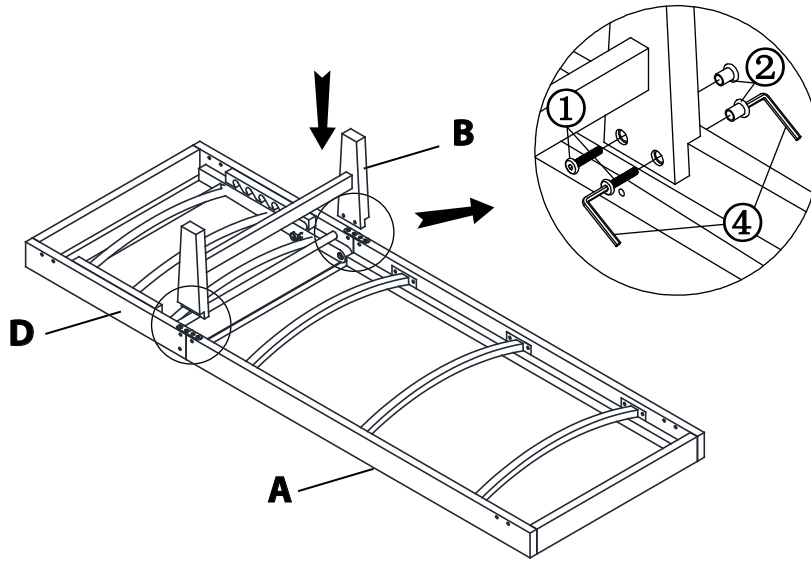
With assistance from your adult partners, turn the Seat panel (A) and the Backrest Panel (D) (bottom-side up) and place on a clean, non-marring surface to avoid any scratches or damage to the product.

2.1) Make sure the Backrest Panel (D) is aligned with the Seat Panel (A) then open the hinge as indicated by the arrow.

2.2) Attach the Backrest Panel (D) onto the Seat panel (A) using Screw (3) and the Screwdriver (5) as shown in picture above.

Fully tighten the Screws.

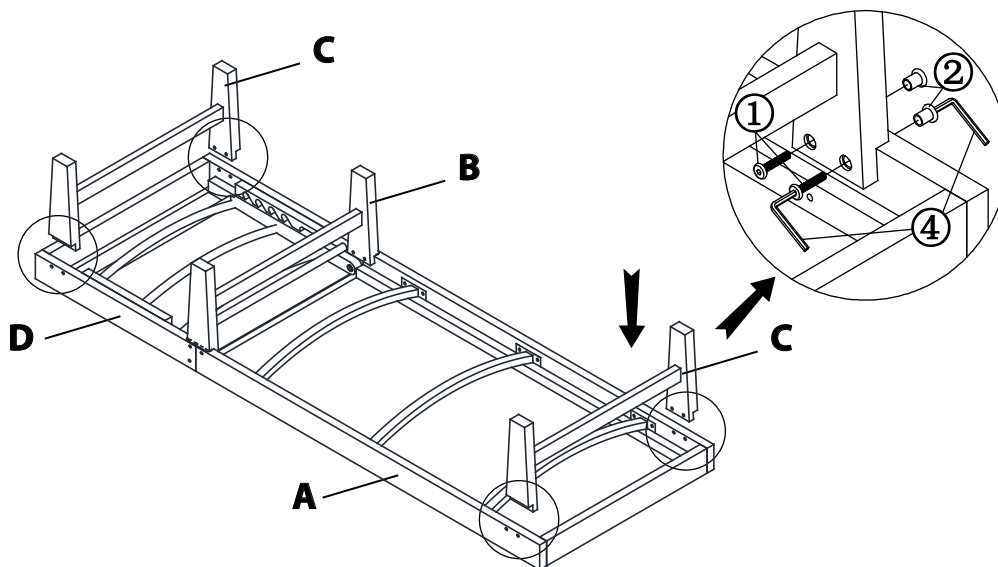
Step 3:



Attach the Leg frame (**B**) onto Seat panel (**A**) and Backrest Panel (**D**) using Bolts (**①**), Sleeve nuts (**②**) and the Allen Wrench (**④**) as shown in picture above. Repeat the same process with the 2 remaining Leg frames (**B**).

DO NOT fully tighten the Bolts.

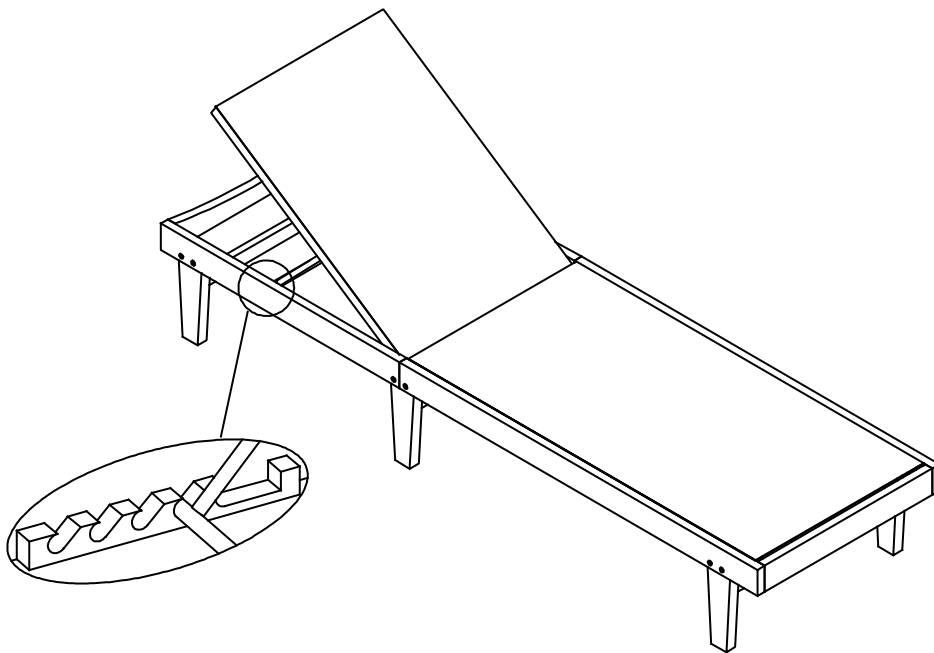
Step 4:



Attach the Leg frame (**C**) onto Seat panel (**A**) and Backrest Panel (**D**) using Bolts (**①**), Sleeve nuts (**②**) and the Allen Wrench (**④**) as shown in picture above. Repeat the same process with the 1 remaining Leg frames (**C**).

DO NOT fully tighten the Bolts.

Step 5:



With assistance from your adult partners, turn the Sunlounger right side up. EXERT pressure, floorwards, onto the Seat. This pressure will help the Legs and seat panel reach alignment at all joints. Check for wobbles.

In a sequential manner, gradually tighten all Bolts, until evenly secured. Inspect the Sunlounger and make sure all parts are adequately connected. Your Sunlounger is ready for use.

This Sunlounger can only be used on a flat, level surface.

Caution: Be careful when folding Backrest to avoid the finger strapped at the folding joint.

Note: Align the Backrest of Sunlounger in position you want.

Questions & Answers about Proposition 65

- What is Proposition 65?

Proposition 65 requires businesses to provide warnings to Californians about significant exposures to chemicals that cause cancer, birth defects or other reproductive harm. These chemicals can be in the products that Californians purchase, in their homes or workplaces, or that are released into the environment. By requiring that this information be provided, Proposition 65 enables Californians to make informed decisions about their exposures to these chemicals. Proposition 65 also prohibits California businesses from knowingly discharging significant amounts of listed chemicals into sources of drinking water.

Proposition 65 requires California to publish a list of chemicals known to cause cancer, birth defects or other reproductive harm. This list, which must be updated at least once a year, has grown to include approximately 900 chemicals since it was first published in 1987.

- What types of chemicals are on the Proposition 65 list?

The list contains a wide range of naturally occurring and synthetic chemicals that include additives or ingredients in pesticides, common household products, food, drugs, dyes, or solvents. Listed chemicals may also be used in manufacturing and construction, or they may be byproducts of chemical processes, such as motor vehicle exhaust.

- What does a warning mean?

If a warning is placed on a product label or posted or distributed at a workplace, a business, or in rental housing, the business issuing the warning is aware or believes that it is exposing individuals to one or more listed chemicals.

By law, a warning must be given for listed chemicals unless the exposure is low enough to pose no significant risk of cancer or is significantly below levels observed to cause birth defects or other reproductive harm.

- Where can I get more information on Proposition 65?

If you have specific questions on the administration or implementation of Proposition 65, you can contact OEHHA's Proposition 65 program at P65.Questions@oehha.ca.gov, or by phone at (916) 445-6900.