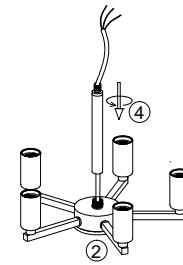
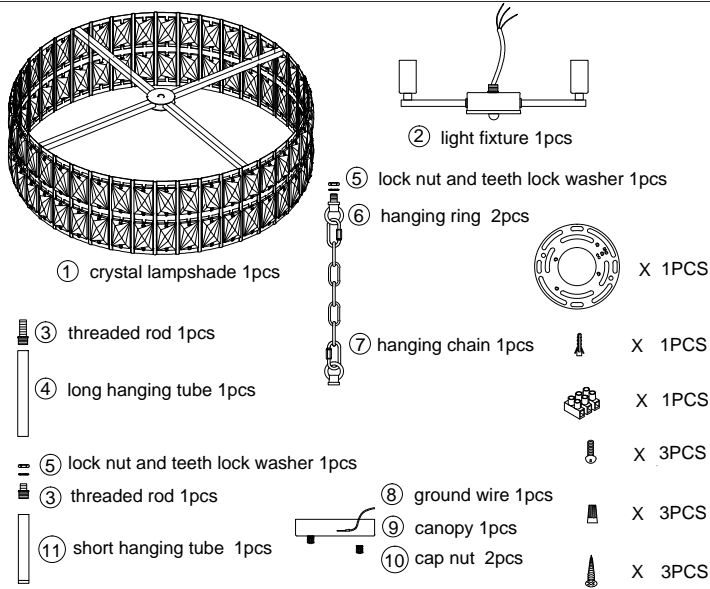
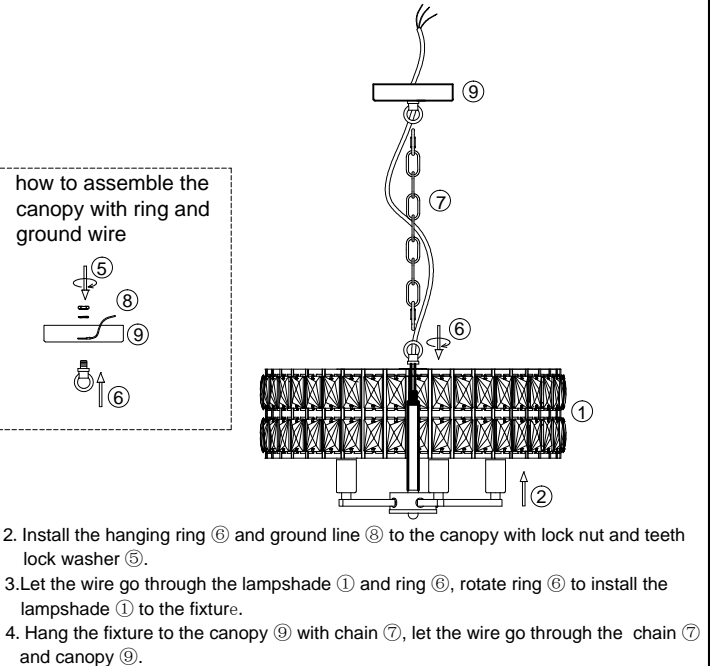


Installation & Assembly

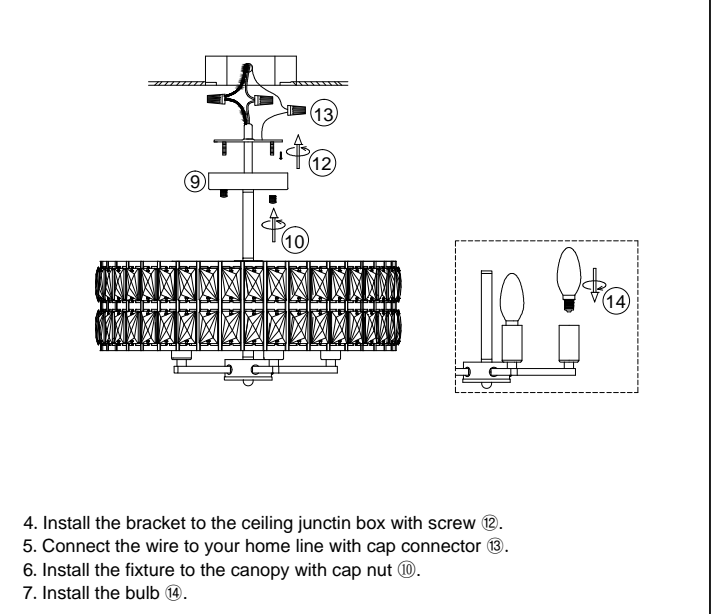
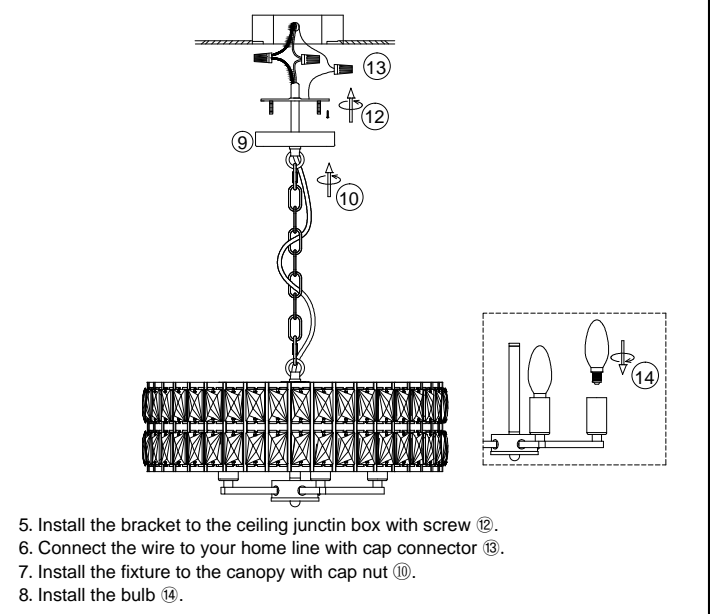
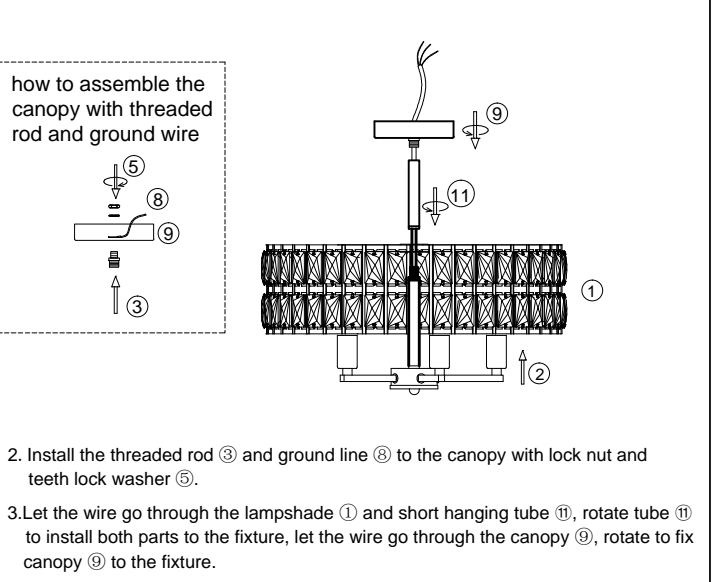


1. Let the wire of fixture ② go through the hanging tube ④, rotate to fix the tube ④ to the fixture.

Virson A(Pendant Light)



Virson B(Ceiling Light)



Please read carefully before installation!!!

Note : Please make sure that the electricity is powered off during installation !

Only a professional electrician should install this kind of product !