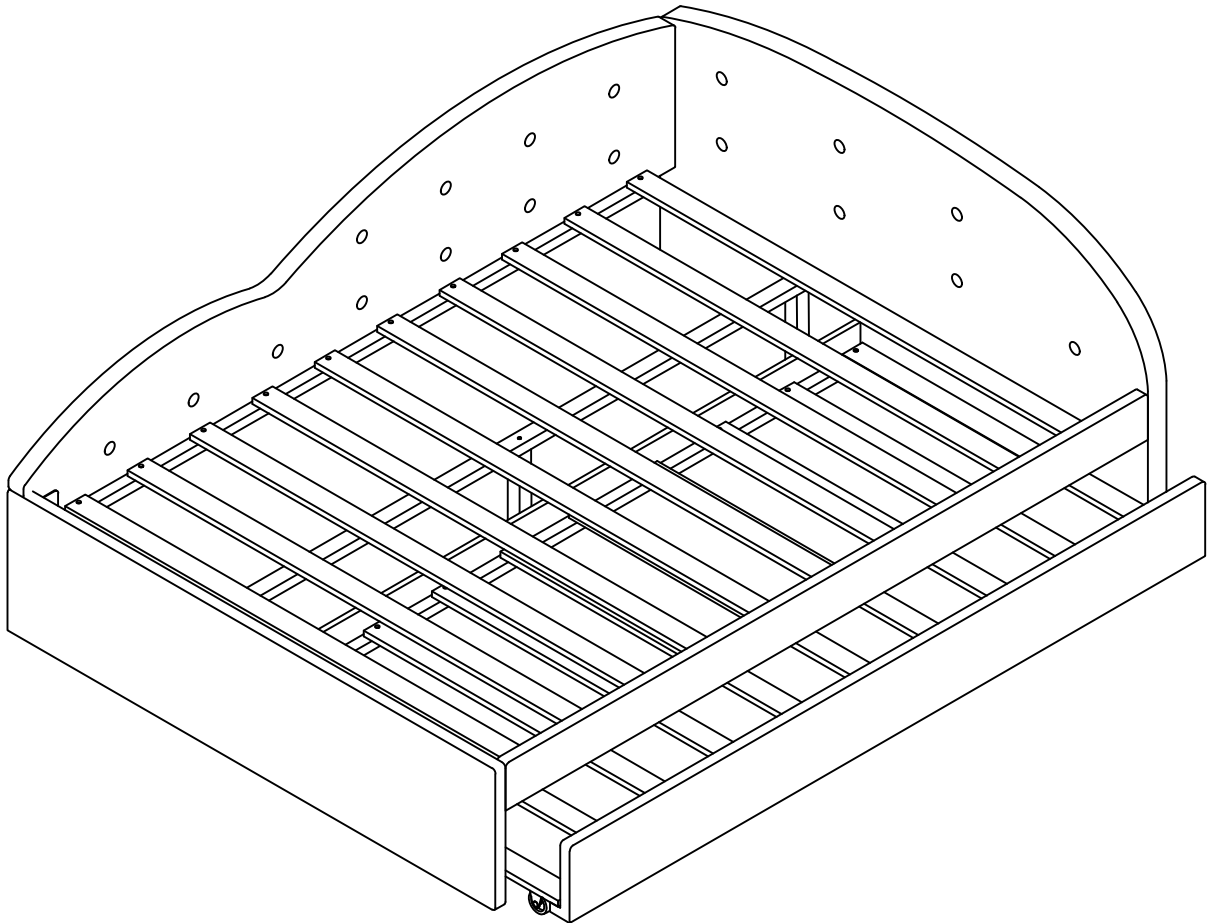


ASSEMBLY INSTRUCTIONS

WF 310882/WF 310883



IMPORTANT NOTE

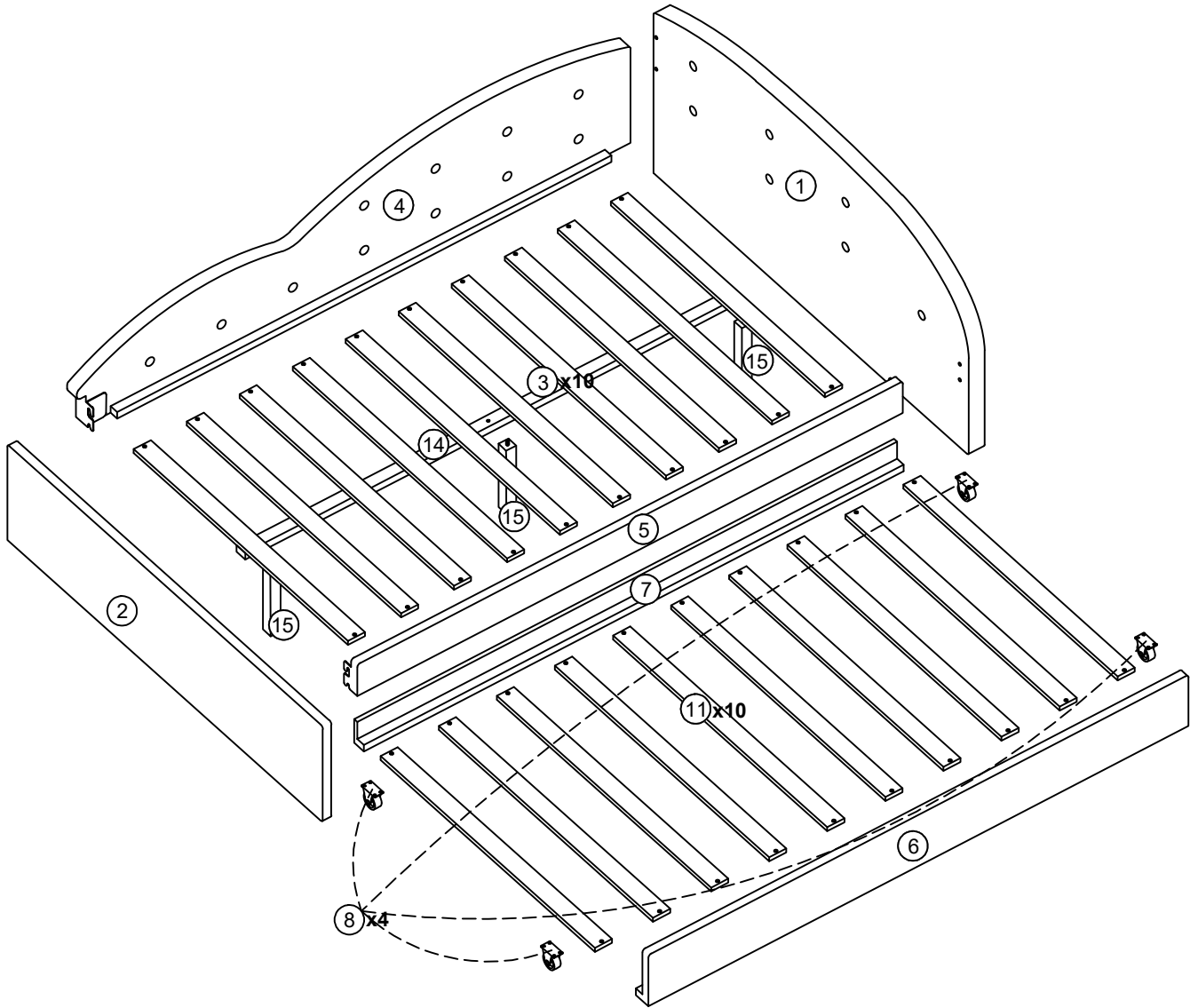
****PLACE ALL PARTS ON A CLEAN AND SMOOTH SURFACE SUCH AS A RUG OR CARPET TO AVOID THE PARTS FROM BEING SCRATCHED**

**** BEFORE YOU BEGIN , KINDY FOLLOW THE ASSEMBLY INSTRUCTIONS STEP BY STEP**

****DO NOT TIGHTEN ALL SCREWS AND BOLTS UNTIL THE BED IS FULLY SET-UP**

ASSEMBLY INSTRUCTIONS

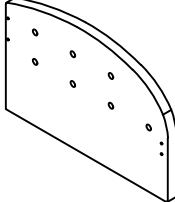
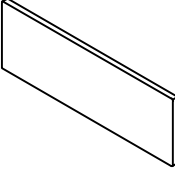
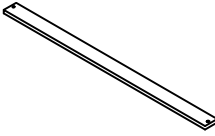
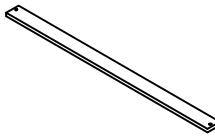
WF 310882/WF 310883



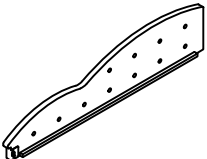
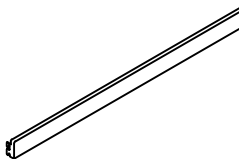
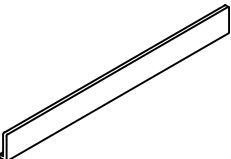
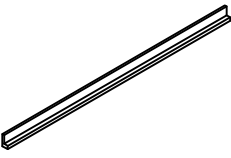

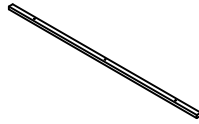

ASSEMBLY INSTRUCTION

WF 310882/WF 310883

PART LIST IN: WF 310882

<p>1</p>  <p>Headboard Panel (1 pc)</p>	<p>2</p>  <p>Footboard Panel (1 pc)</p>	<p>3</p>  <p>Roll Slat (10 pcs) 1365*60*15</p>
<p>11</p>  <p>Roll Slat (10 pcs) 985*60*15</p>		



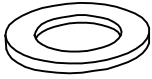
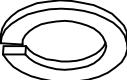
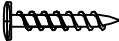
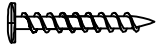
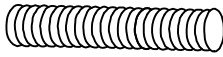


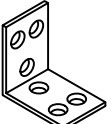
PART LIST BOX 2: WF 310883

<p>4</p>  <p>Left Side Rail (1 pc)</p>	<p>5</p>  <p>Right Side Rail (1 pc)</p>	<p>6</p>  <p>Trundle Front Panel (1 pc)</p>
<p>7</p>  <p>Trundle Back Panel (1 pc)</p>	<p>8</p>  <p>Wheels (4 pcs) 59x42x66mm</p>	<p>14</p>  <p>Center Rail (1 pc)</p>
<p>15</p>  <p>Support leg (3 pcs)</p>		

ASSEMBLY INSTRUCTIONS

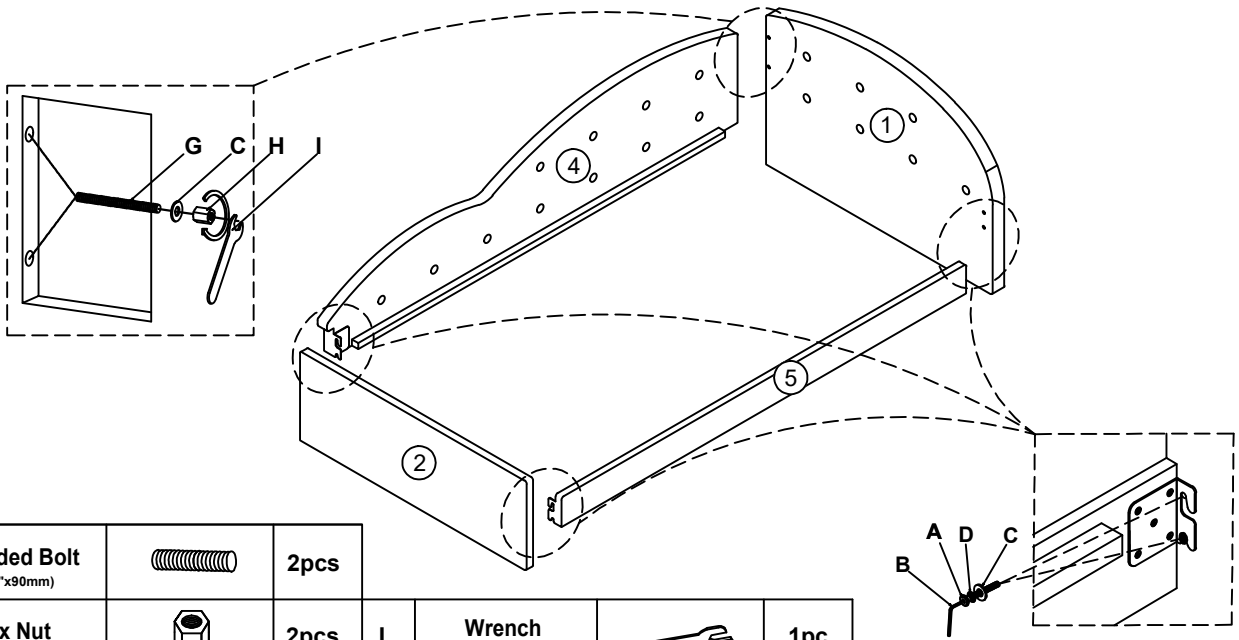
WF 310882/WF 310883








HARDWARE LIST IN WF 310883

<p>A</p>  <p>Short Bolt (6 pcs) (5/16 "X25mm)</p>	<p>B</p>  <p>Allen Wrench (1 pc) (M4x75mm x32mm)</p>	<p>C</p>  <p>Flat Washer (8 pcs)</p>
<p>D</p>  <p>Spring Washer (6 pcs)</p>	<p>E</p>  <p>Flat Head Screw (40 pcs) (m4x15mm)</p>	<p>F</p>  <p>Flat Head Screw (44 pcs) (m4x30mm)</p>
<p>G</p>  <p>Threaded Bolt (2 pcs) (5/16"X90mm)</p>	<p>H</p>  <p>Hex Nut (2 pcs) (16mmx13mmx13mm)</p>	<p>I</p>  <p>Wrench (1 pc)</p>
<p>K</p>  <p>L Bracket (4 pcs) (38mmx38mmx25mmx2mm)</p>		

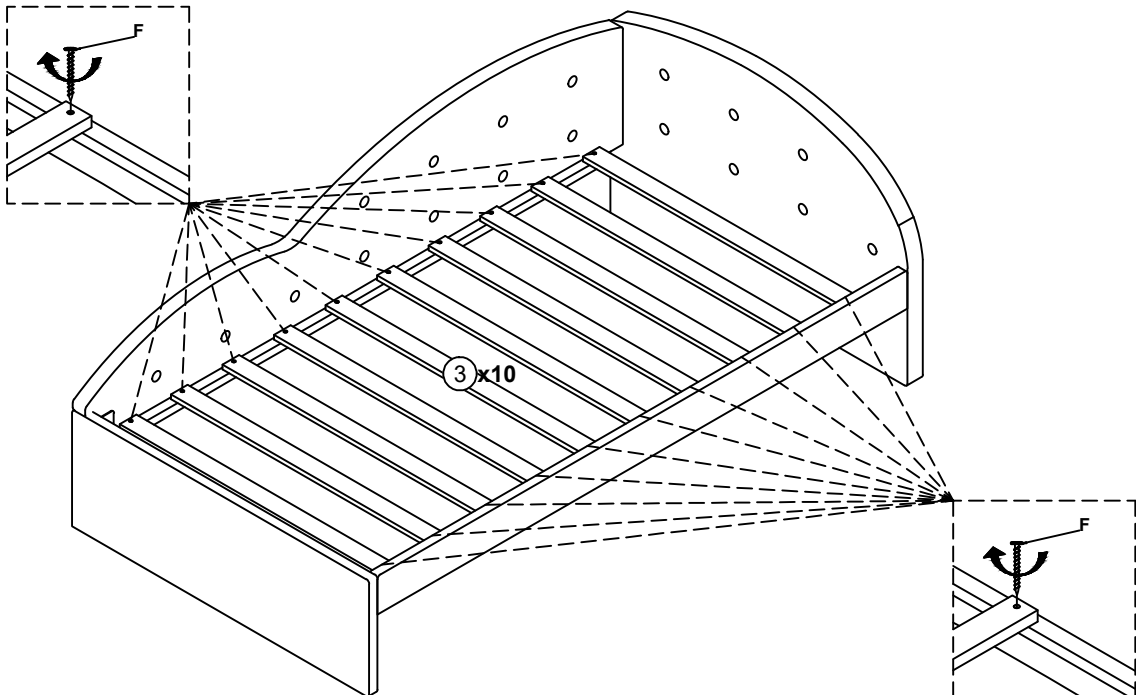
ASSEMBLY INSTRUCTIONS

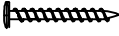
STEP 1



G	Threaded Bolt (5/16" x 90mm)		2pcs			
H	Hex Nut (16x13x13mm)		2pcs	I	Wrench	 1pc
A	Bolt (5/16" x 25mm)		6pcs	D	Spring Washer	 6pcs
B	Allen Wrench (M4x75mm x32mm)		1pc	C	Flat Washer	 8pcs

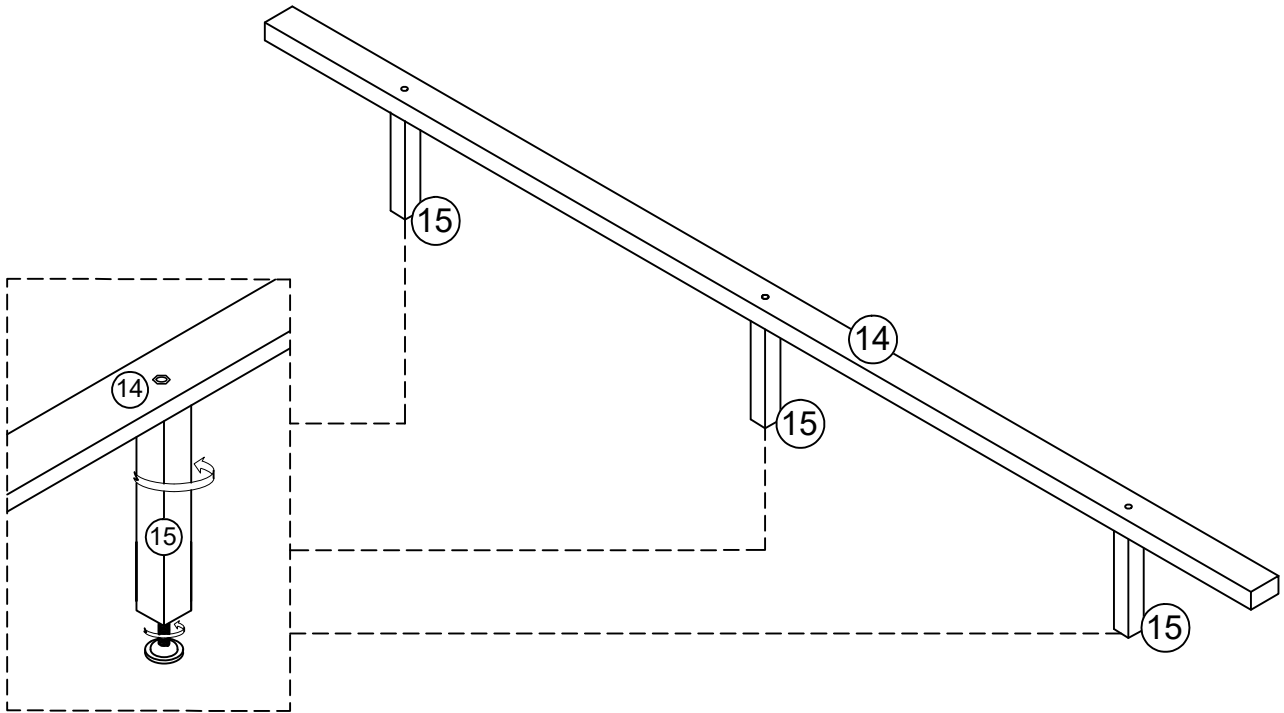
STEP 2



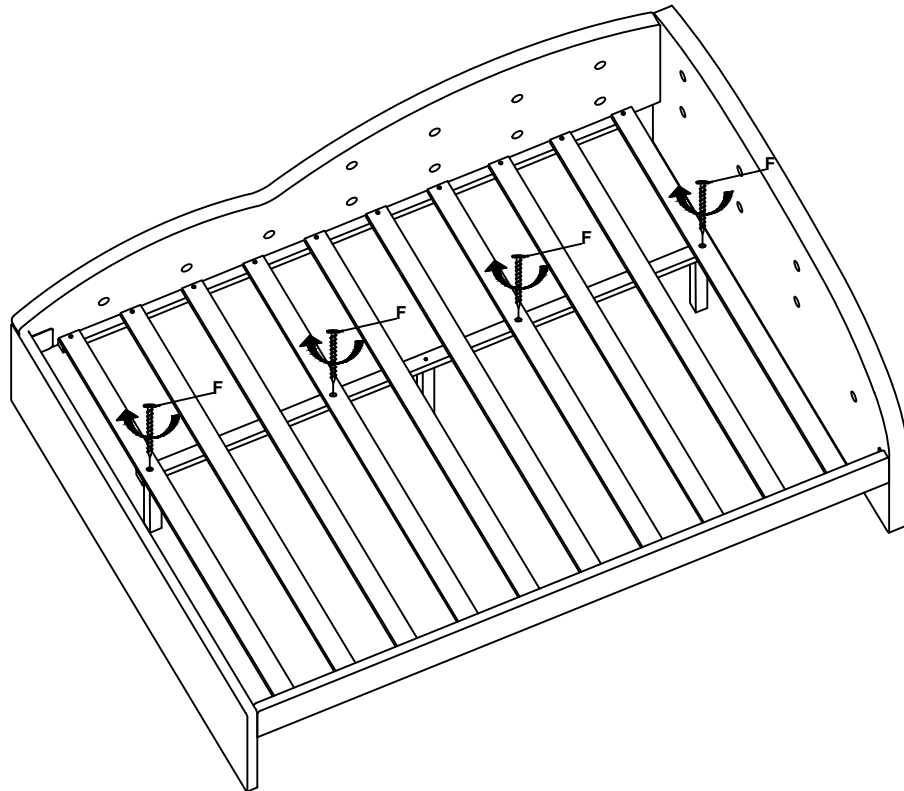
F	Flat Head Screw (m4x30mm)		20pcs
---	-------------------------------------	---	-------

ASSEMBLY INSTRUCTIONS

STEP 3



STEP 4



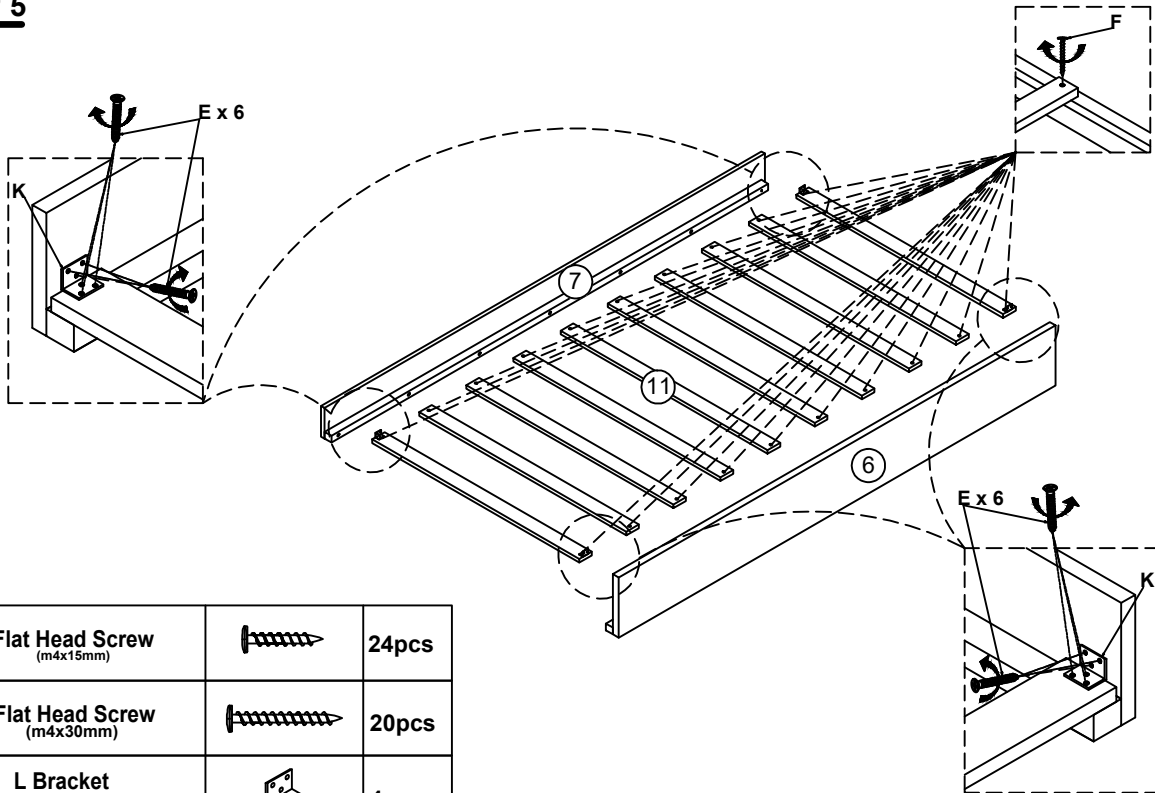
F	Flat Head Screw (m4x30mm)		4pcs
---	------------------------------	---	------

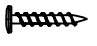
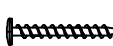

MADE IN VIETNAM

PAGE 6 OF 8

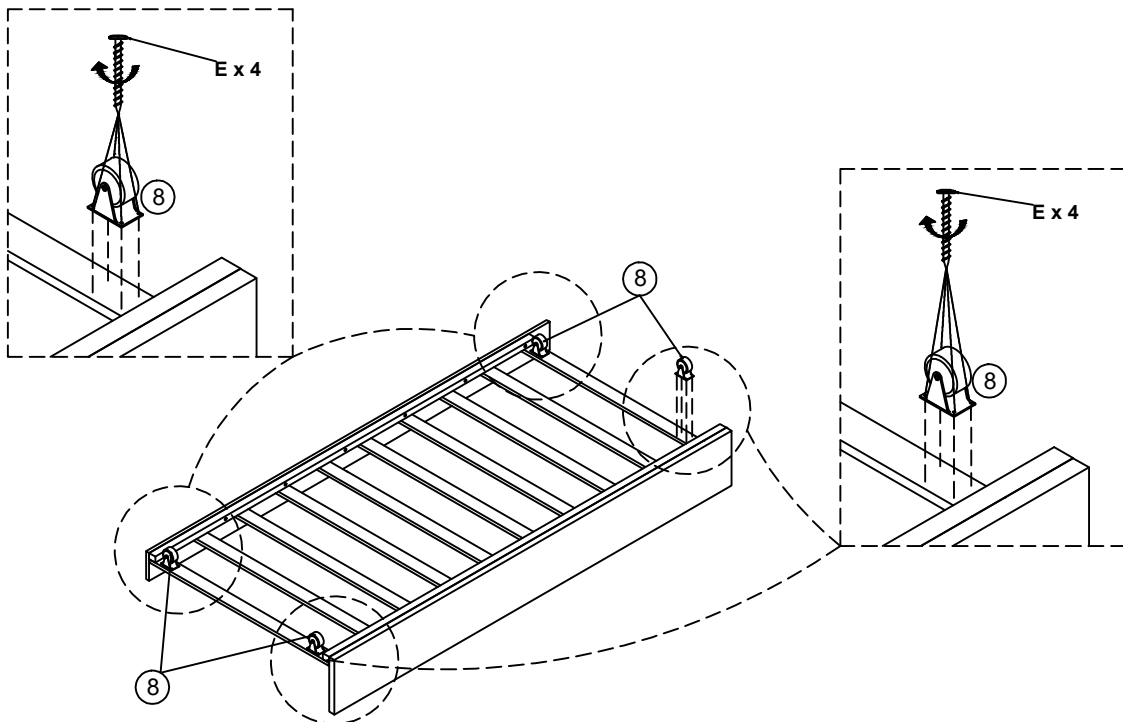
ASSEMBLY INSTRUCTIONS

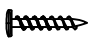
STEP 5



E	Flat Head Screw (m4x15mm)		24pcs
F	Flat Head Screw (m4x30mm)		20pcs
K	L Bracket (38mmx38mmx25mmx2mm)		4pcs

STEP 6



E	Flat Head Screw (m4x15mm)		16pcs
---	------------------------------	---	-------

ASSEMBLY INSTRUCTIONS

STEP 7
COMPLETE

