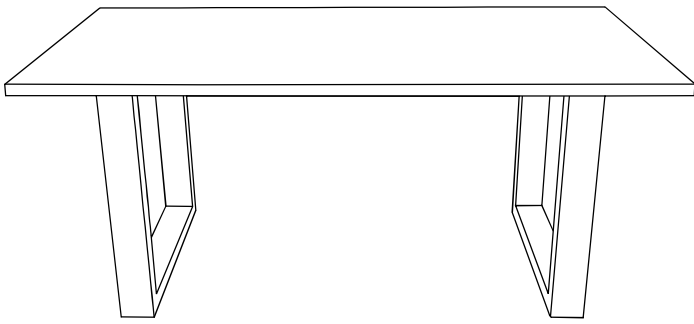
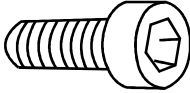


# ASSEMBLY INSTRUCTIONS

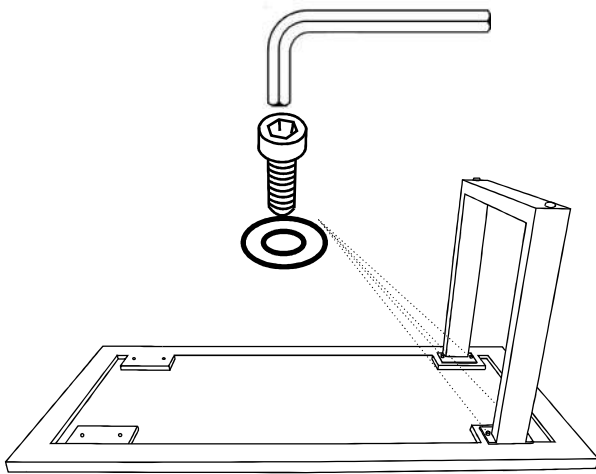
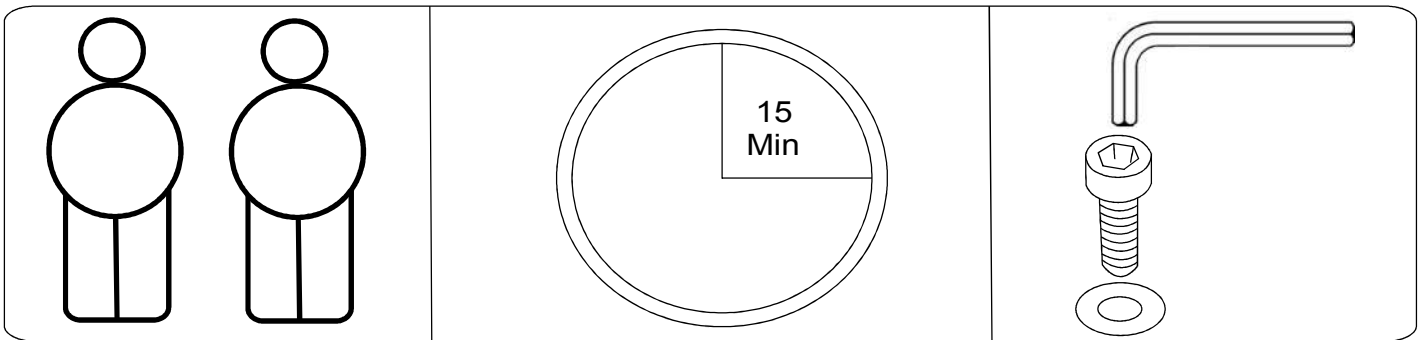
## Dining Table



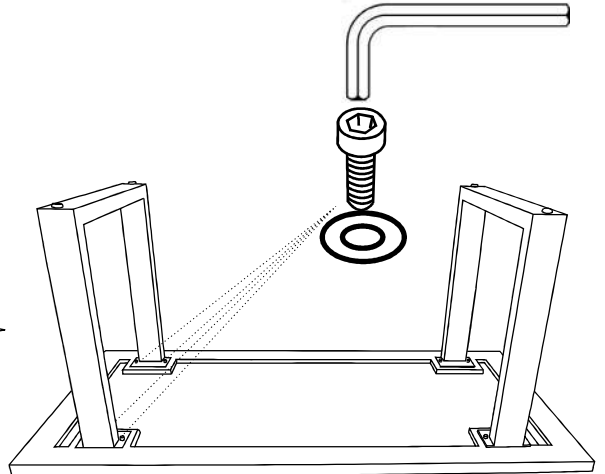
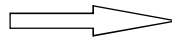
1.  = x8

2.  = x8

3.  = x1



**Step 1**



**Step 2**

ASSEMBLED PRODUCT

