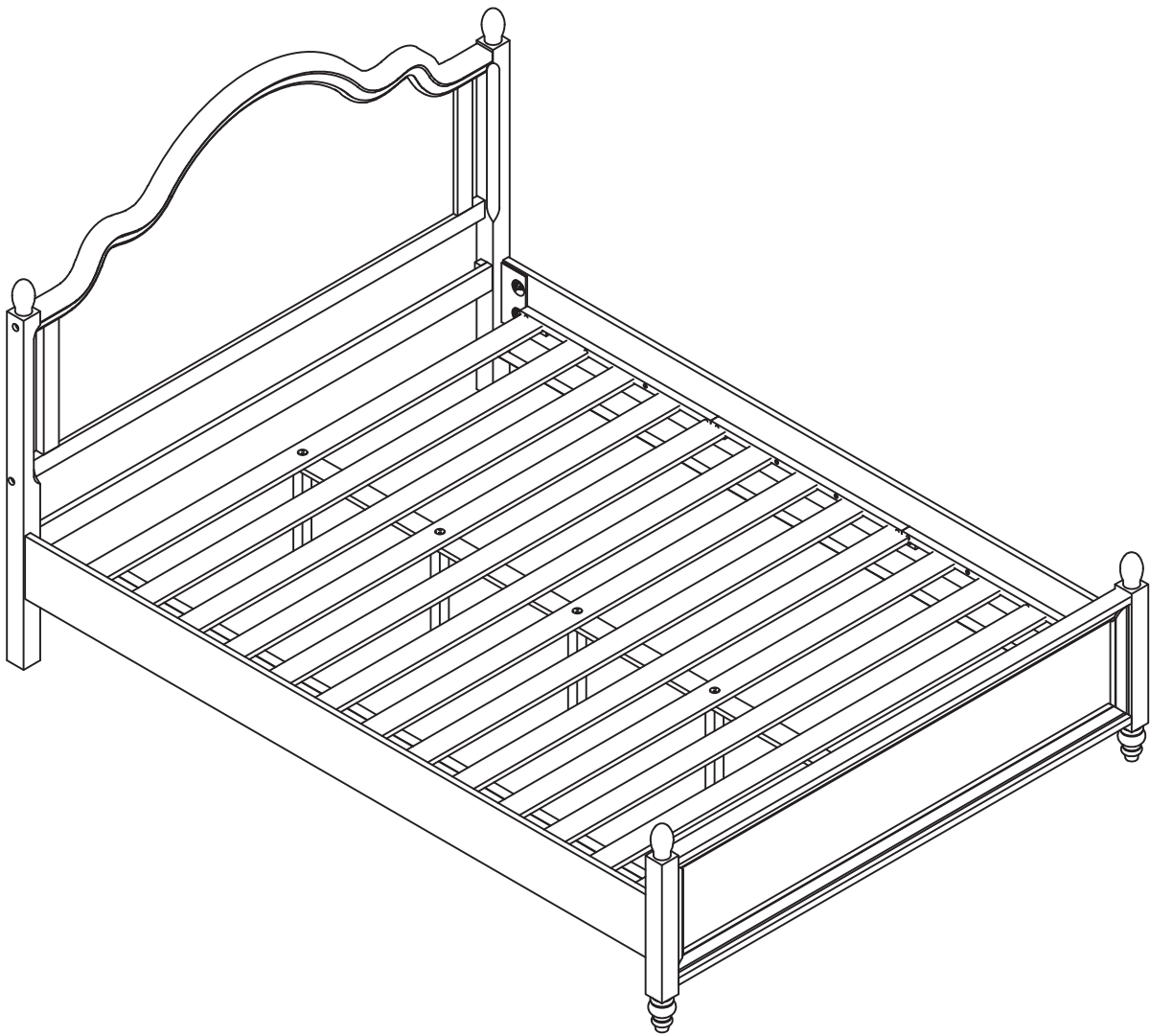


USER'S MANUAL

AUBEL SERIES QUEEN SIZE SOLID WOOD BED



Guide of Manual

- Thanks for your choice. **We will do our best to provide customer service for everyone.**
- Please check to make sure all parts are included as stated when you unpack. If there are parts missing or wrong, please contact us, **we will expeditiously provide reissue accessories, compensation or other services.**
- Instruction should be read carefully. But the manual may not cover every detail of all possible situations and steps. **Please contact us if further information and help are needed. We will respond in a timely manner.**
- **Please be patient that the other items are on the way if you buy more than one product.**

Warning

- It's kindly advised to assemble this product on a carpeted floor to protect it from being scratched.
- Small parts are included. Please keep the product away from children while assembling. Do not let children play or jump on the product. Do not stand on the item or use as a step ladder.
- Please pay attention to the sharp corners during assembly. We recommend the use of gloves to prevent the undesired injury.
- Prior to use, please check to see if there's any loosening screw or part. Make sure that each screw and part is correctly installed and securely fastened.
- It's unnecessary to use electric drill. Please at a low gear if you need.

Care and Maintenance

- Use a soft, clean cloth that will not scratch the surface when dusting.
- There' s no need to use furniture polish. If you need, test it first in an inconspicuous area. Using solvents of any kind on your furniture may damage the finish. Never use water to clean your furniture as it may cause damage to the finish.
- Liquid spills should be removed immediately. Gently blot the spill with a soft clean cloth to avoid rubbing.

Further Advice about the Furniture Care

- It is best to keep your furniture in a climate-controlled environment.
- We recommend to keep furniture from sunlight exposure to avoid possible surface damage.
- Following these important and helpful tips will help retain your furniture's performance even when it ages.
- Periodically (every 90 days) make sure the screws are fully tightened.

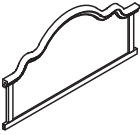





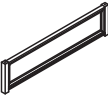


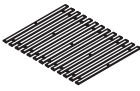

Max Weight Capacity

- 800lbs [Do not stand on the item]




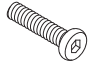









Parts and Hardware List:

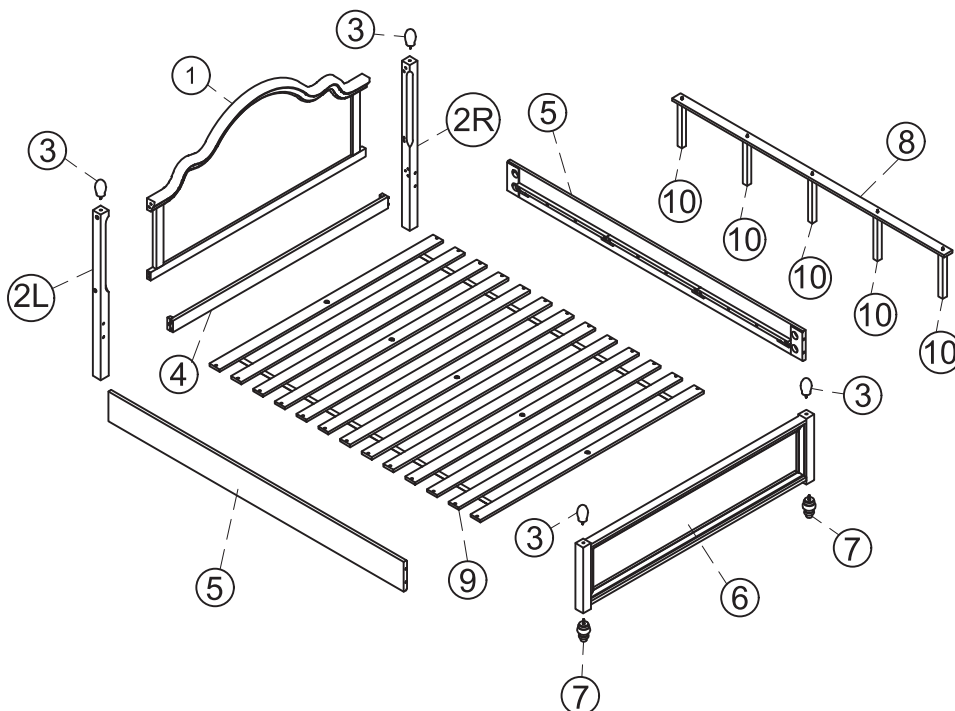
- o Make sure all parts are in the package.
- o "+" in below list indicates that additional pieces are replacement parts.
- o Do not fully tighten anything until all screws, nuts, washers and bolts are in place.

Parts List

① x1pc Headboard 	②L x1pc Headboard Left Leg 	②R x1pc Headboard Right Leg 	③ x4pcs Roman Columns 	④ x1pc Front Stretcher 	⑤ x2pcs Side Panels 
⑥ x1pc Footboard 	⑦ x2pcs Footboard Legs 	⑧ x1pc Support Bar 	⑨ x1pc Slat 	⑩ x5pcs Support Legs For Slat 	

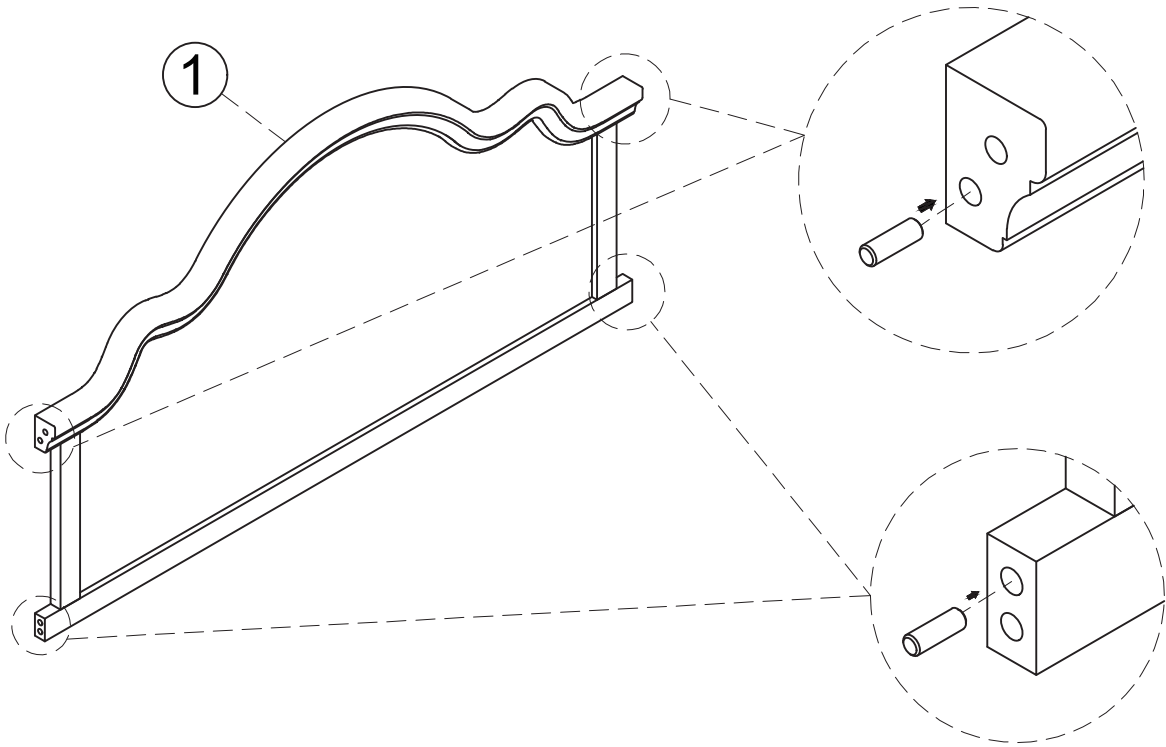
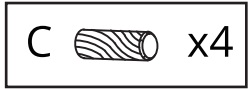
Hardware List

Ax4+1pcs Bolt: 5/16"*70 	Bx4+1pcs Spring Lock Washer : Ø8*16*1.5 	Cx4+1pcs Wooden Dowel Pin : Ø10x30mm 	Dx2+1pcs Bolt: 1/4"*40 	Ex2+1pcs Spring Lock Washer : Ø6*16*1.5 
Fx4+1pcs Decoration Wood : Ø19x10 	Gx8+1pcs Fully Threaded Rod: 5/16"*80 	Hx8+1pcs Half Moon Washer: 5/16" 	Ix8+1pcs Hex Nut: 5/16" 	Jx1pc Allen Wrench: L60*4 
Kx1pc Wrench: 12*90 	Lx26+4pcs Wood Screw: M4x25 	TOOLS REQUIRED (NOT PROVIDED) Cross-head Screwdriver 		








1

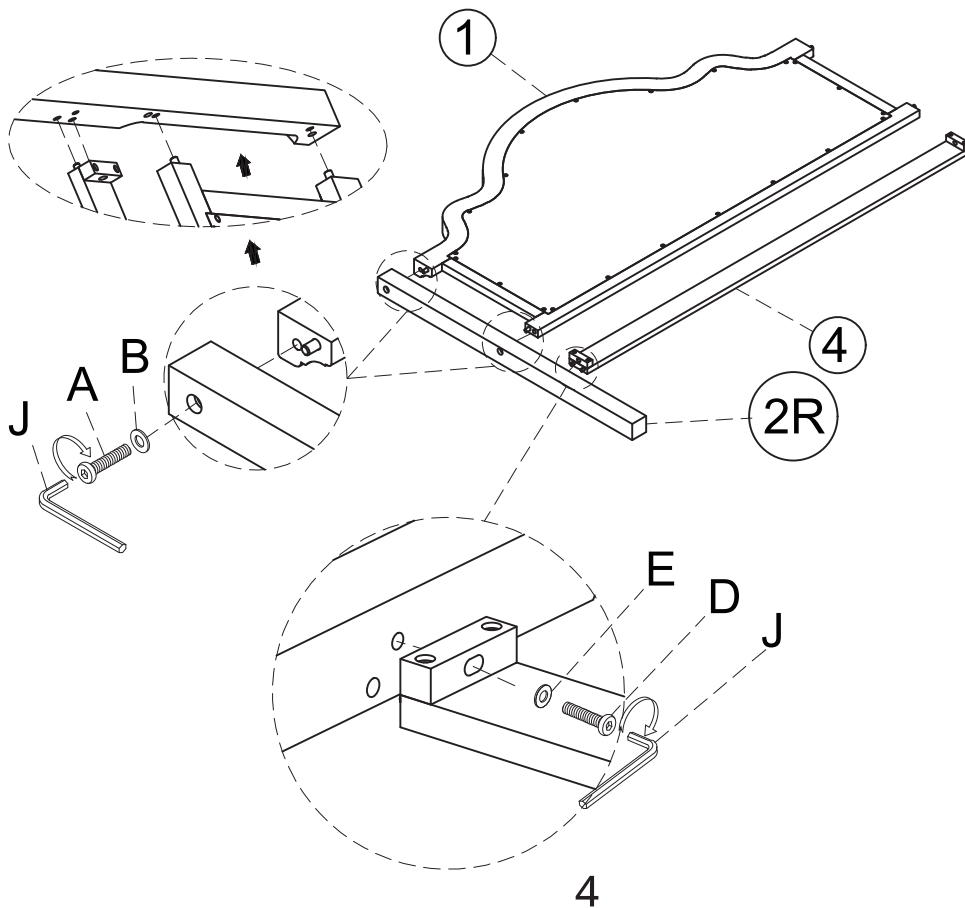
Install the Wooden Dowel Pins C to the headboard.


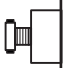



2






Please only tighten bolts A and D to 90% in this step.




A		x2
B		x2
D		x1
E		x1
J		x1

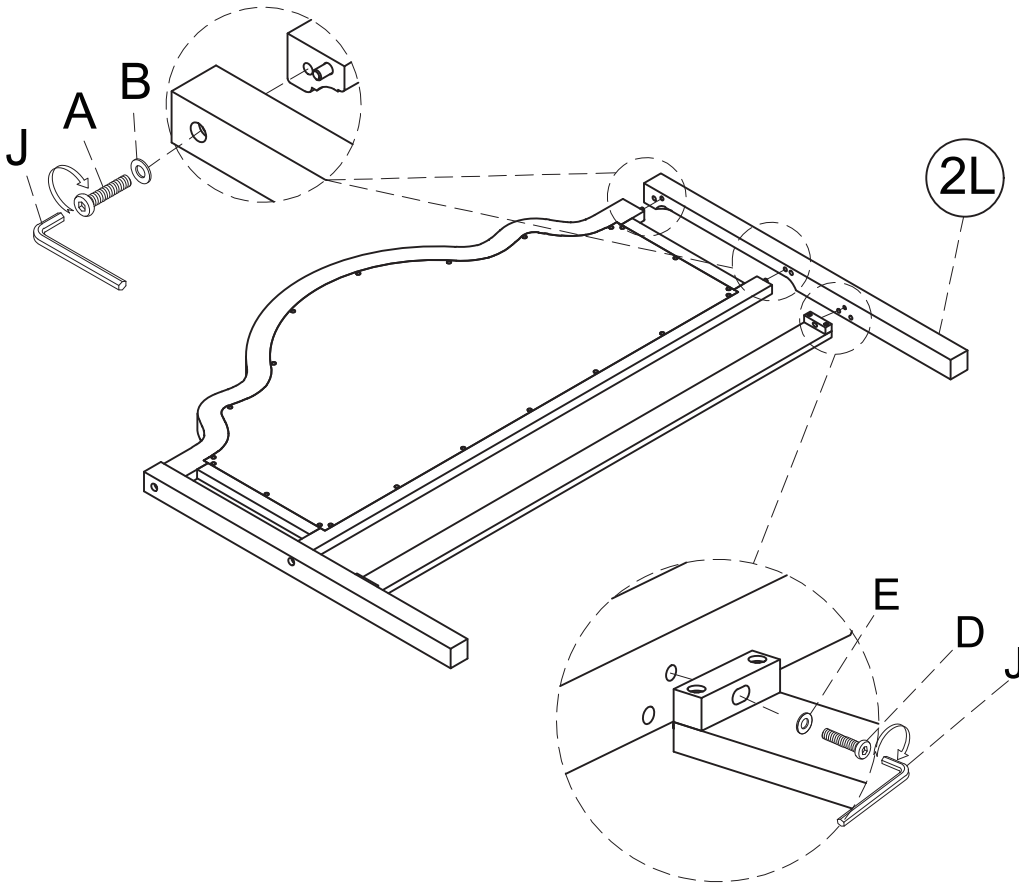


 90%	 100%
	 90%




3 Please completely tighten the bolts A and D in this step

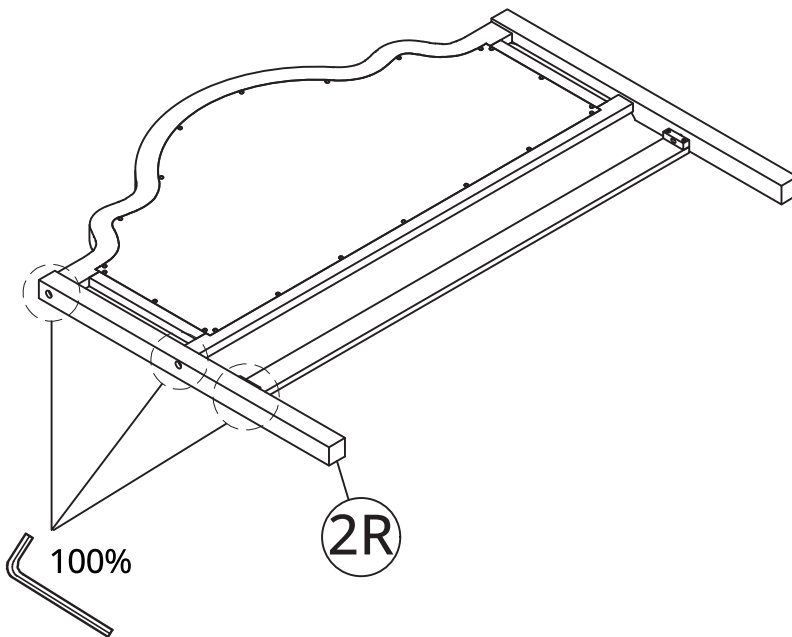
A		x2
B		x2
D		x1
E		x1
J		x1

	80%	
	X	
100%	100%	
	✓	



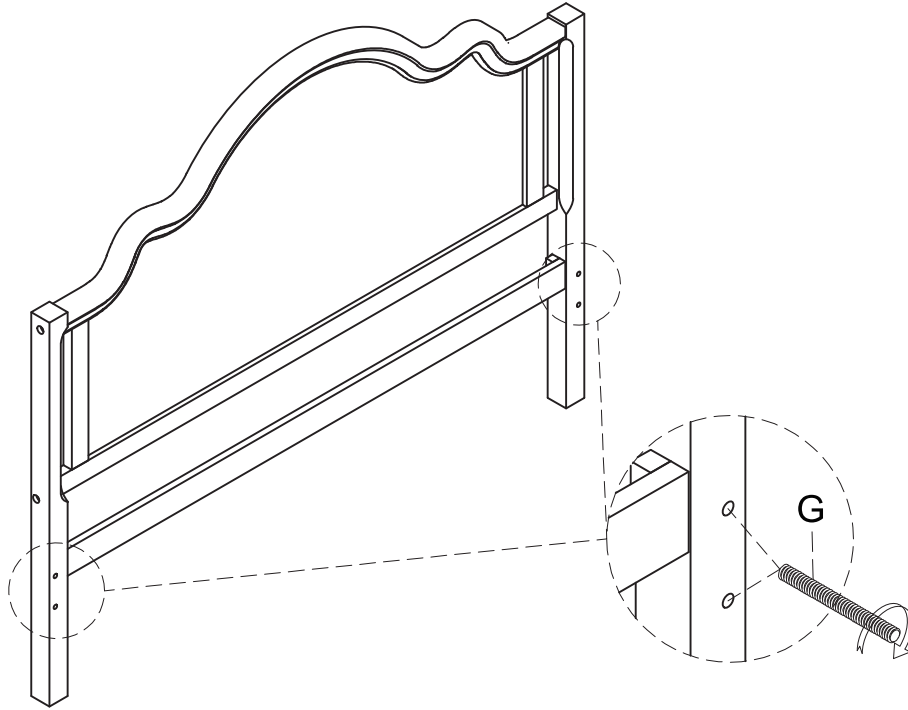
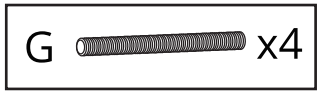
4 Please completely tighten bolts A and D of Step 2.

	80%	
	X	
100%	100%	
	✓	



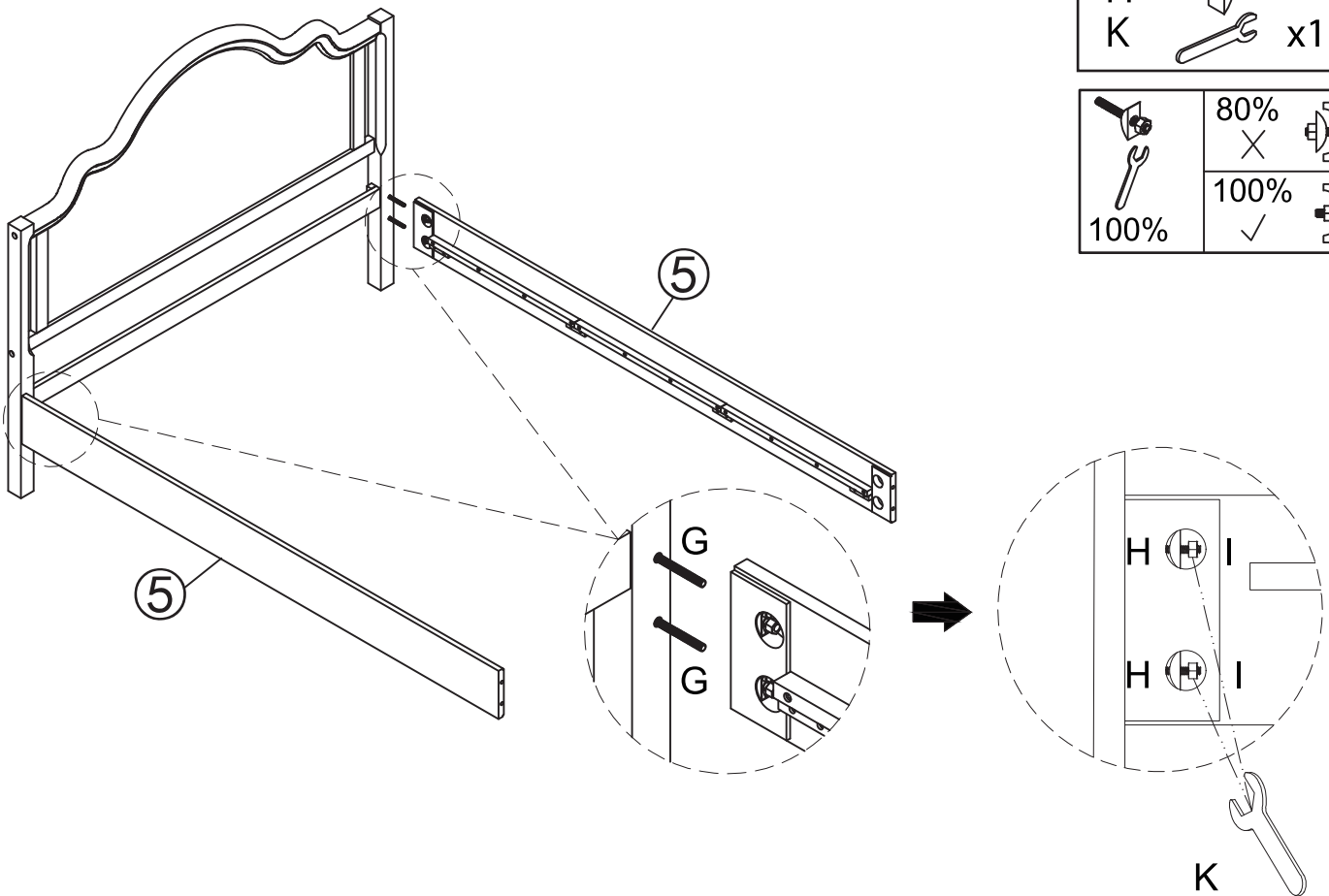
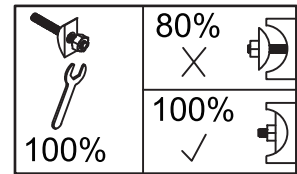
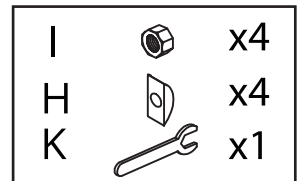
5

Please completely tighten the bolts G in this step.

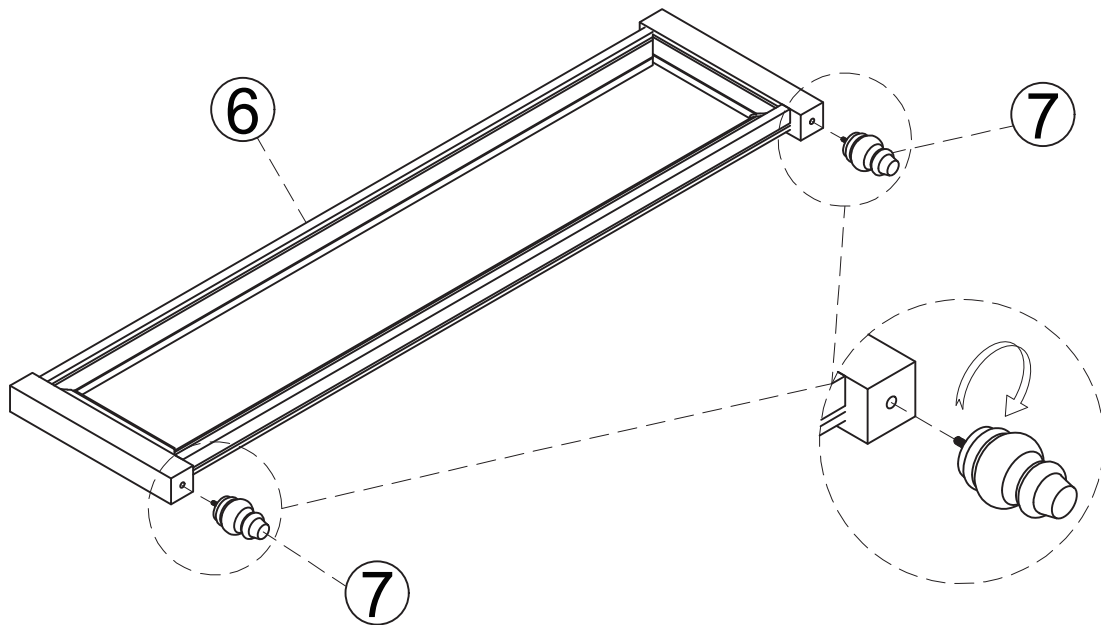


6

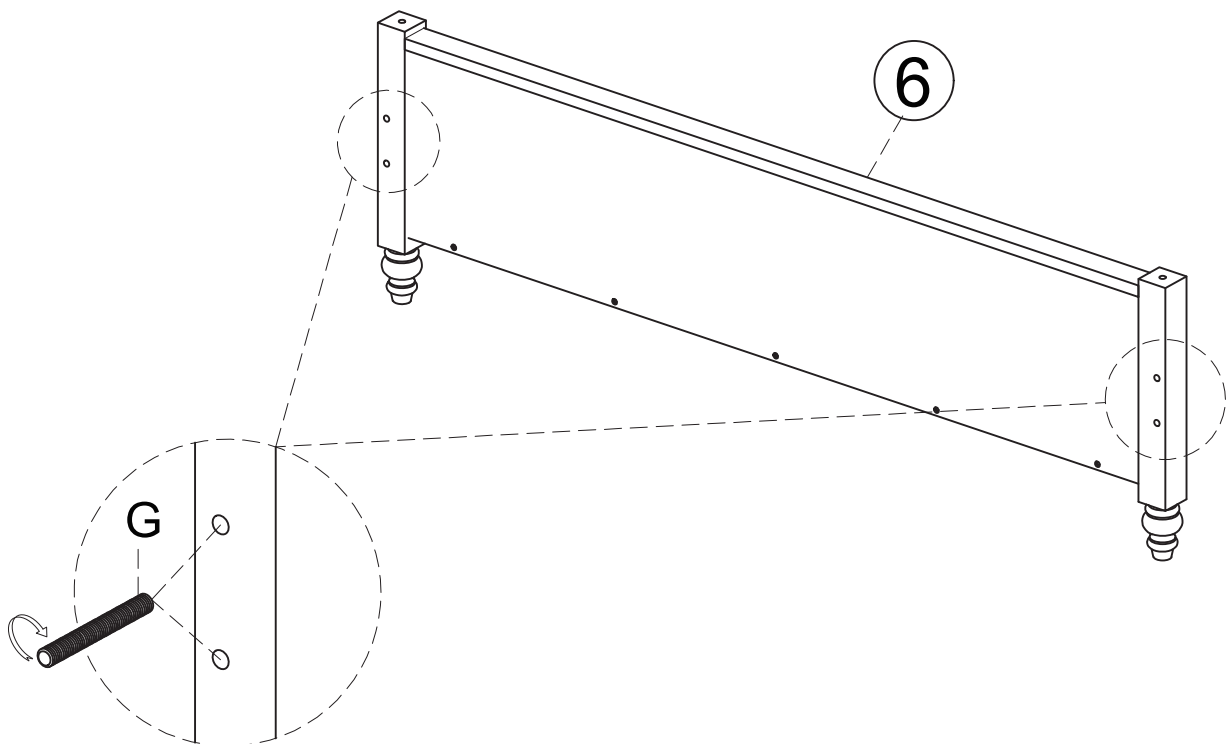
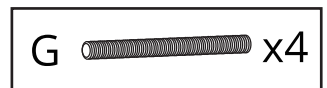
First connect the side panels ⑤ to the headboard left and right leg ②, then insert H into G in the hole, and tighten I completely with K.






7 Tighten the legs ⑦ to the Footboard ⑥.



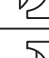


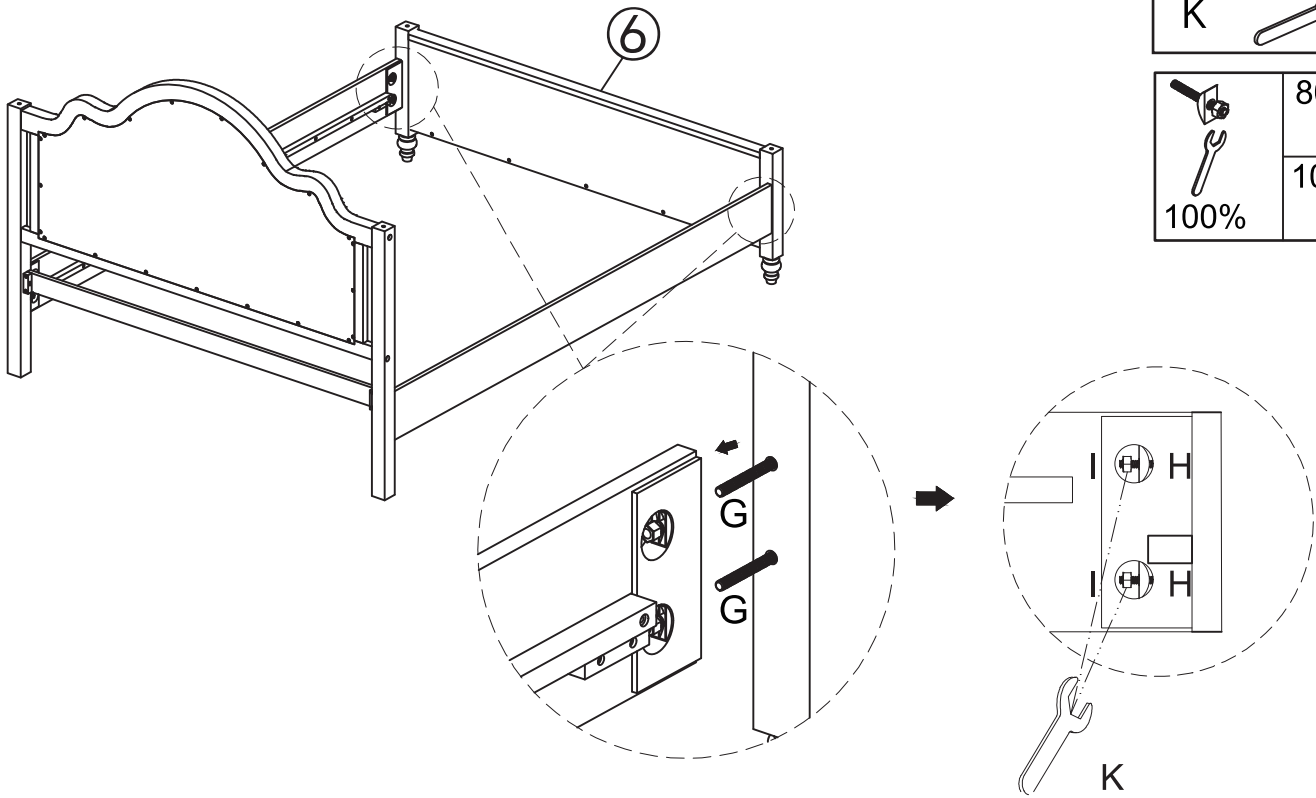
8 Please completely tighten the bolts G in this step.



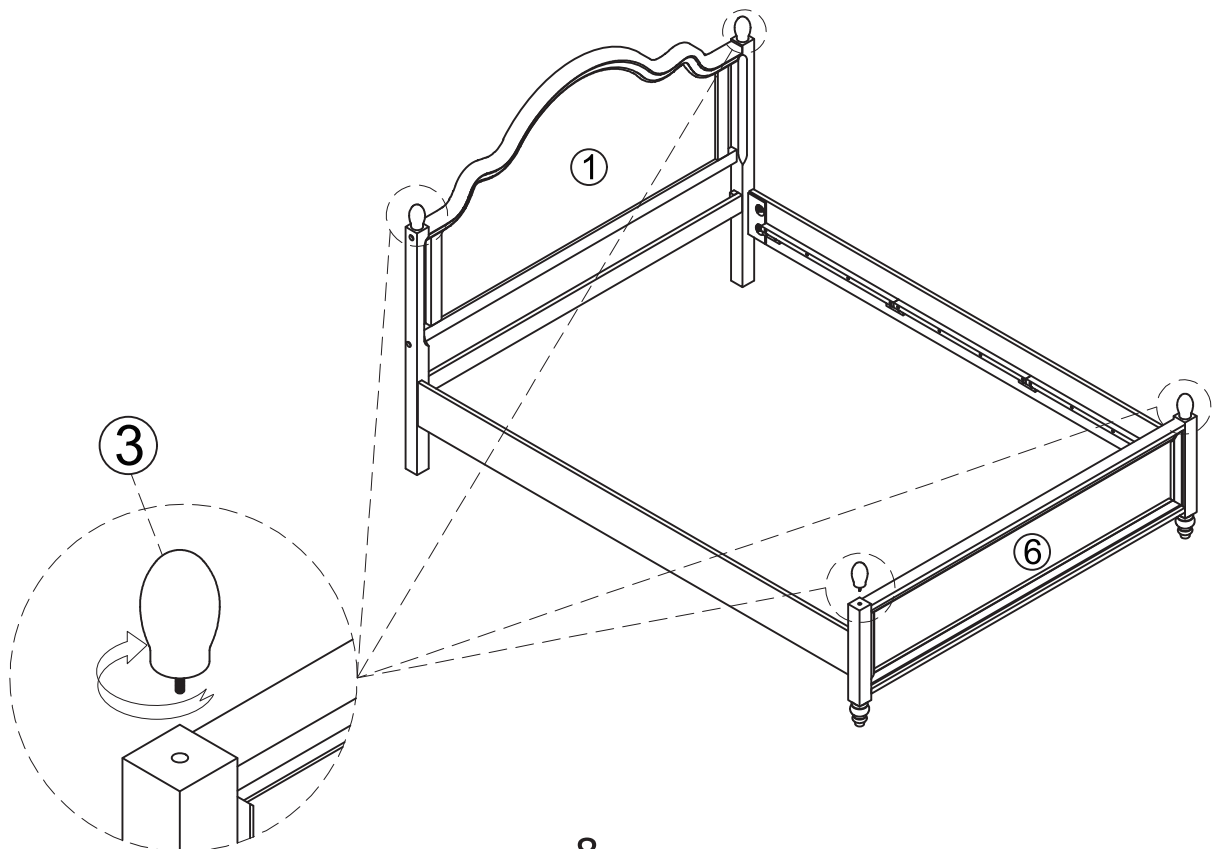
9 First connect the side panels ⑤ to the footboard ⑥, then insert H into G in the hole, and tighten I completely with K.

I		x4
H		x4
K		x1

	80%	
	X	
100%	100%	
	✓	

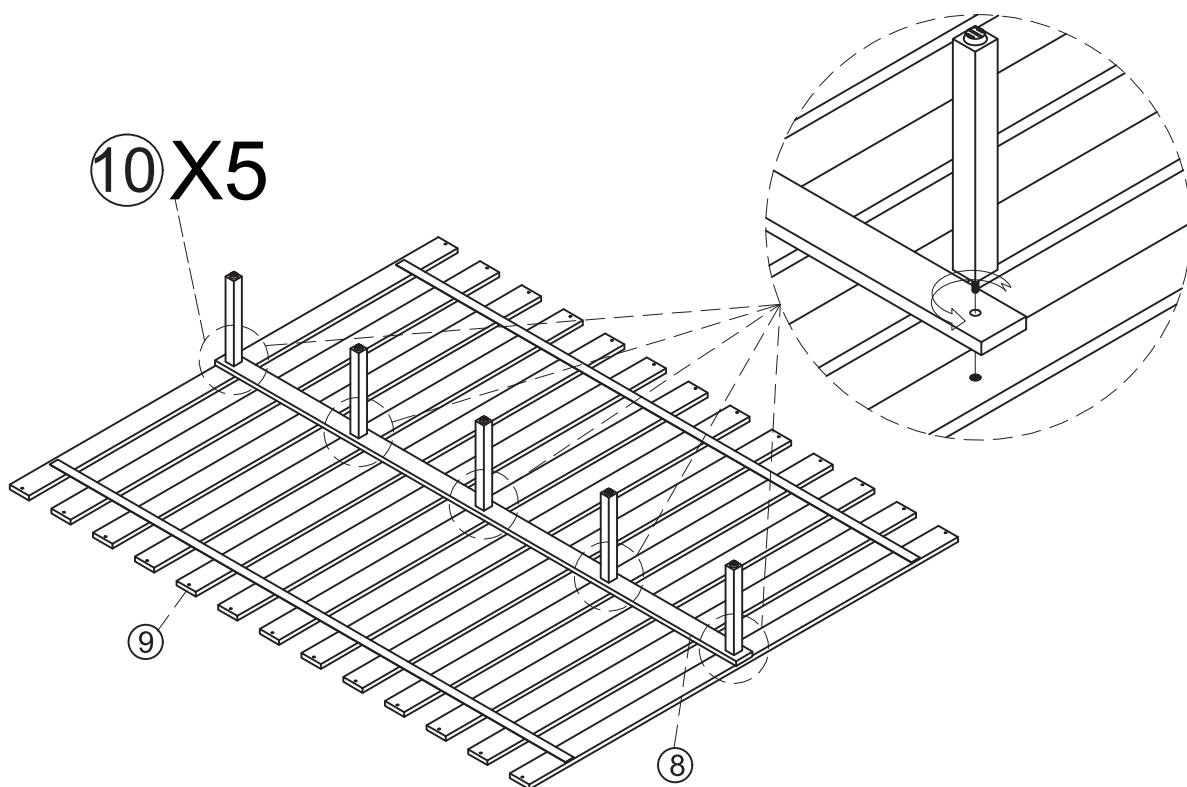


10 Tighten the ③ to the Headboard ① and Footboard ⑥.



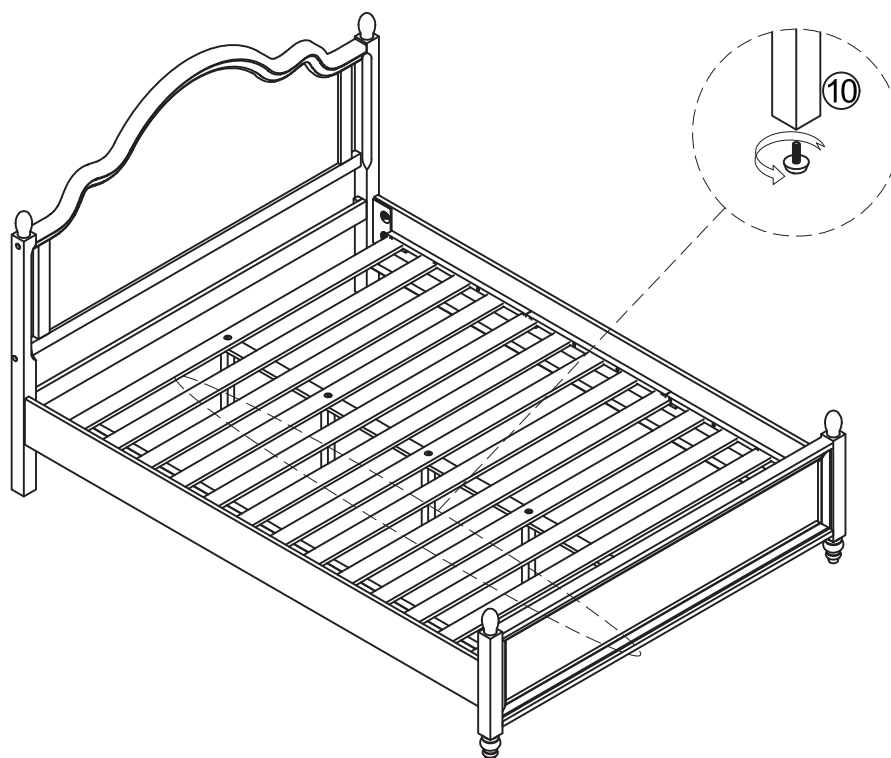
11

Connect ⑧, ⑨ and ⑩. Please completely tighten the ⑩ in this step.





12




Adjust the leveling feet of the legs ⑩ to ensure all slats ⑨ are leveled and staying at the same level.

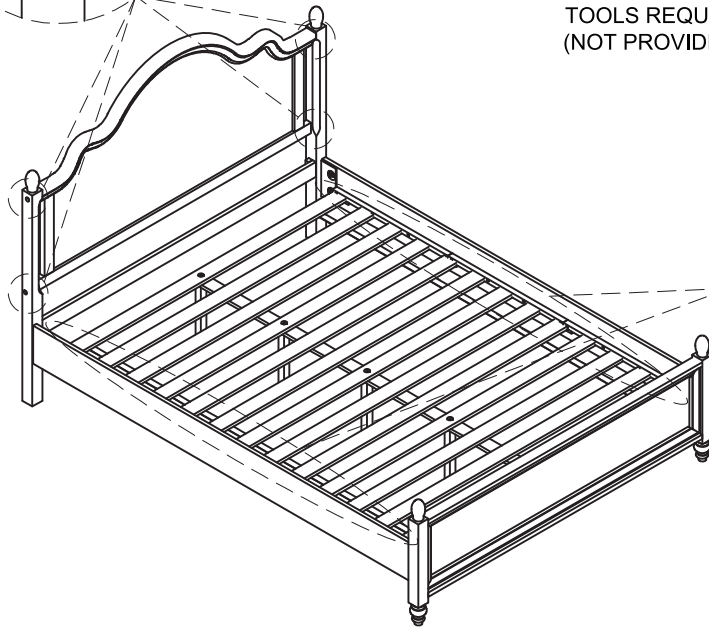
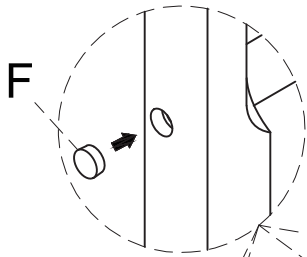


13

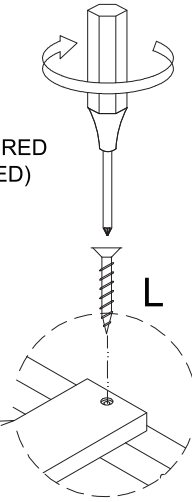
Please completely tighten L and F in this step.

L		x26
F		x4

	80%	
	X	
100%	✓	



TOOLS REQUIRED
(NOT PROVIDED)



FINISHED

