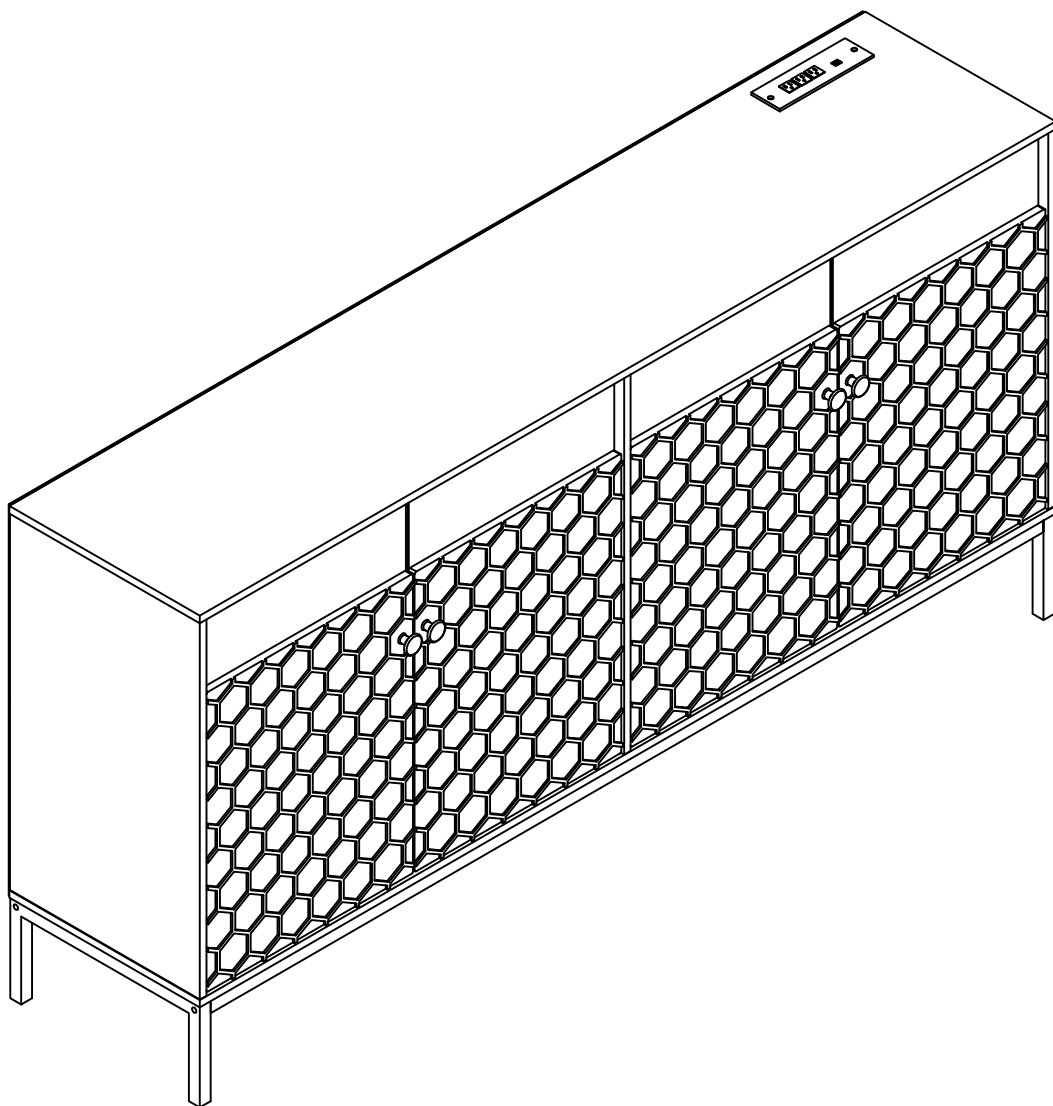
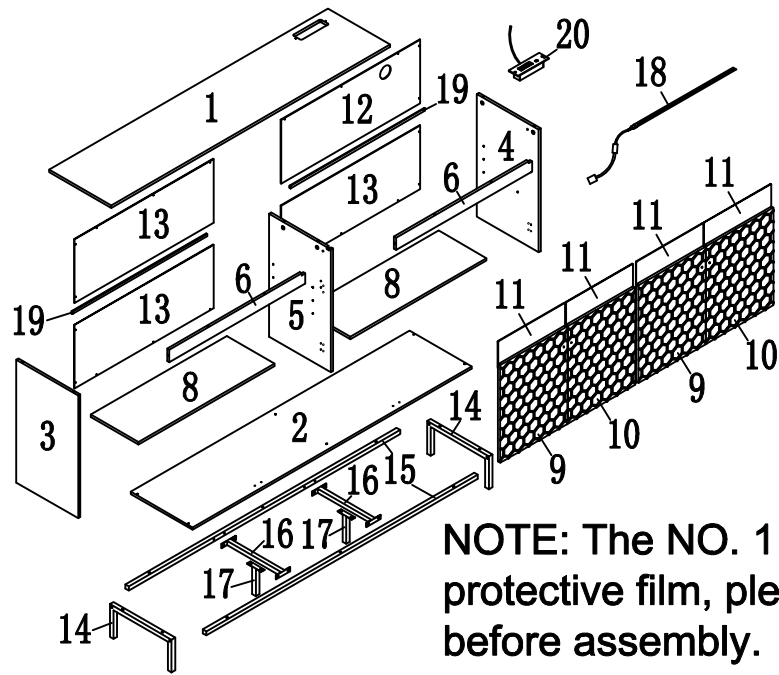


# ASSEMBLY INSTRUCTION

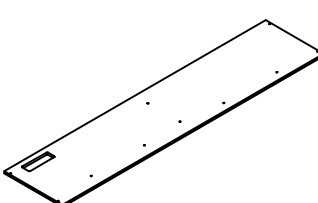
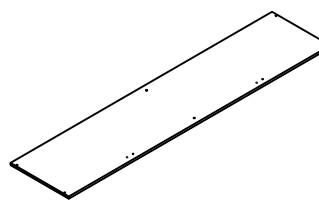
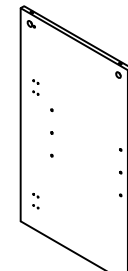
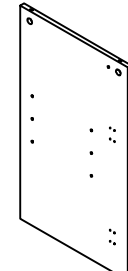
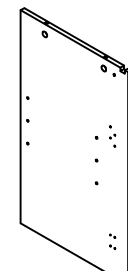
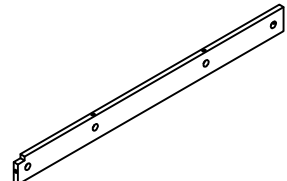
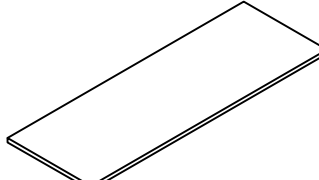
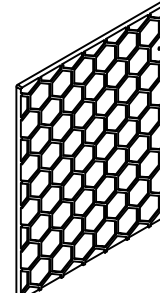
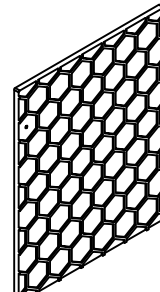
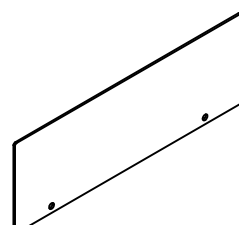
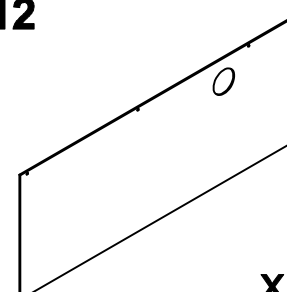
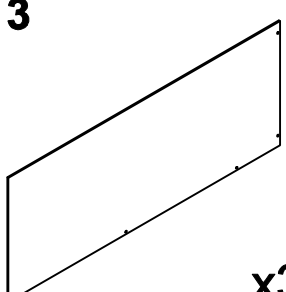
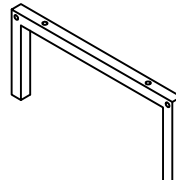
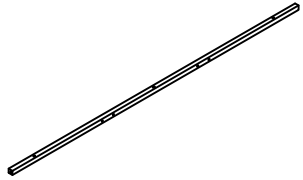
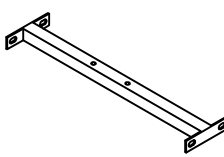
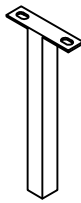


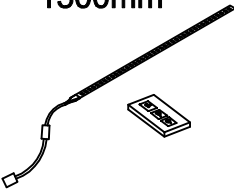
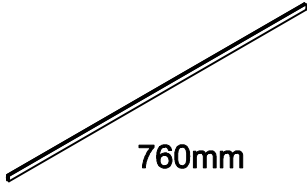
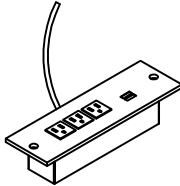
H020006-BK00  
H020006-WH00


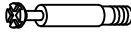

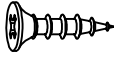

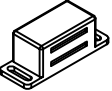
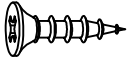

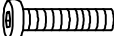
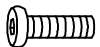
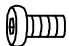
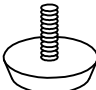



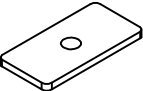
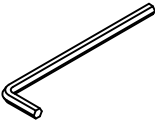



# Packing List

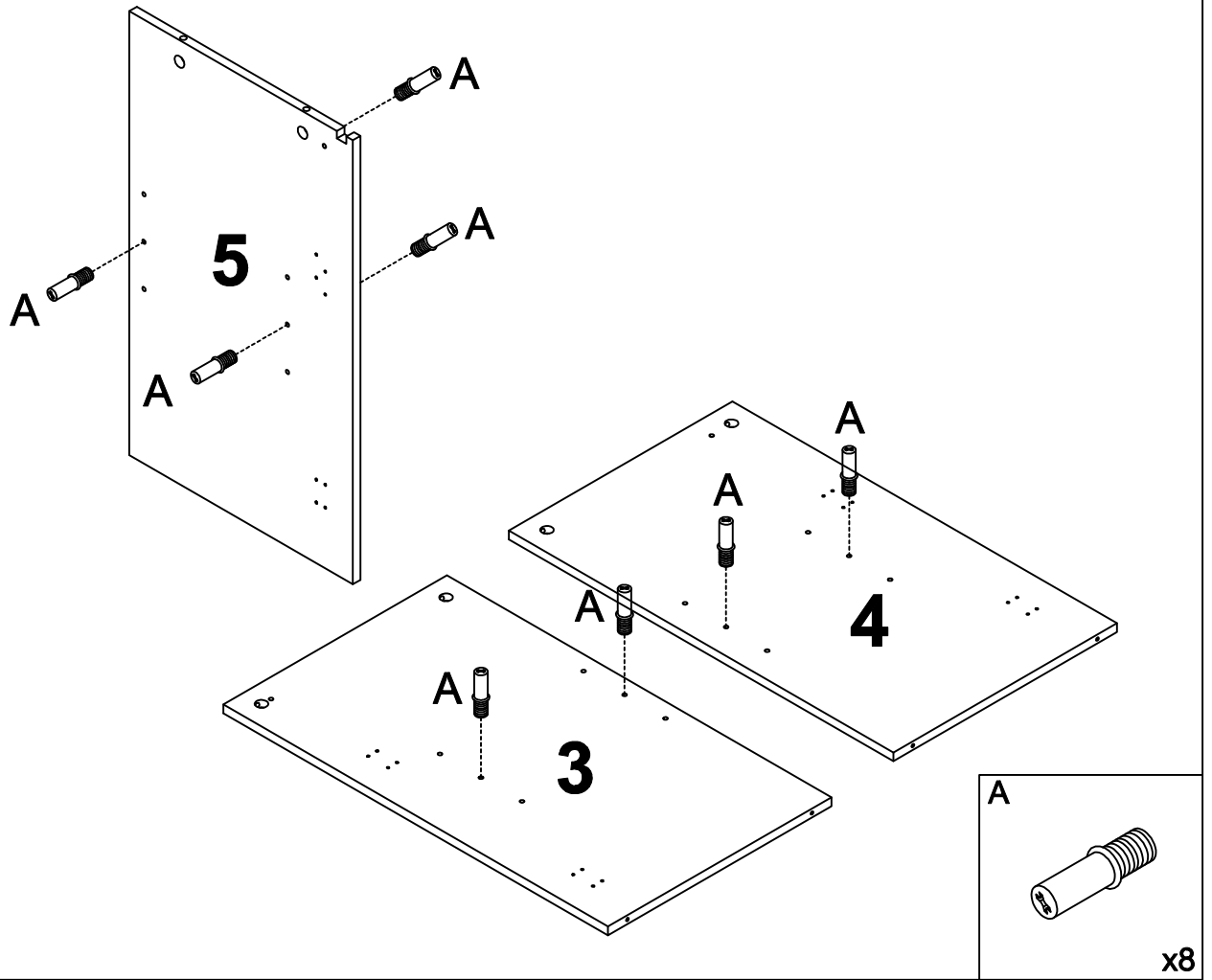
NOTE: The NO. 11 there is plastic protective film, please remove it before assembly.

<p><b>1</b></p>  <p>x1</p>	<p><b>2</b></p>  <p>x1</p>	<p><b>3</b></p>  <p>x1</p>	<p><b>4</b></p>  <p>x1</p>
<p><b>5</b></p>  <p>x1</p>	<p><b>6</b></p>  <p>x2</p>	<p><b>8</b></p>  <p>x2</p>	<p><b>9</b></p>  <p>x2</p>
<p><b>10</b></p>  <p>x2</p>	<p><b>11</b></p>  <p>x4</p>	<p><b>12</b></p>  <p>x1</p>	<p><b>13</b></p>  <p>x3</p>
<p><b>14</b></p>  <p>x2</p>	<p><b>15</b></p>  <p>x2</p>	<p><b>16</b></p>  <p>x2</p>	<p><b>17</b></p>  <p>x2</p>

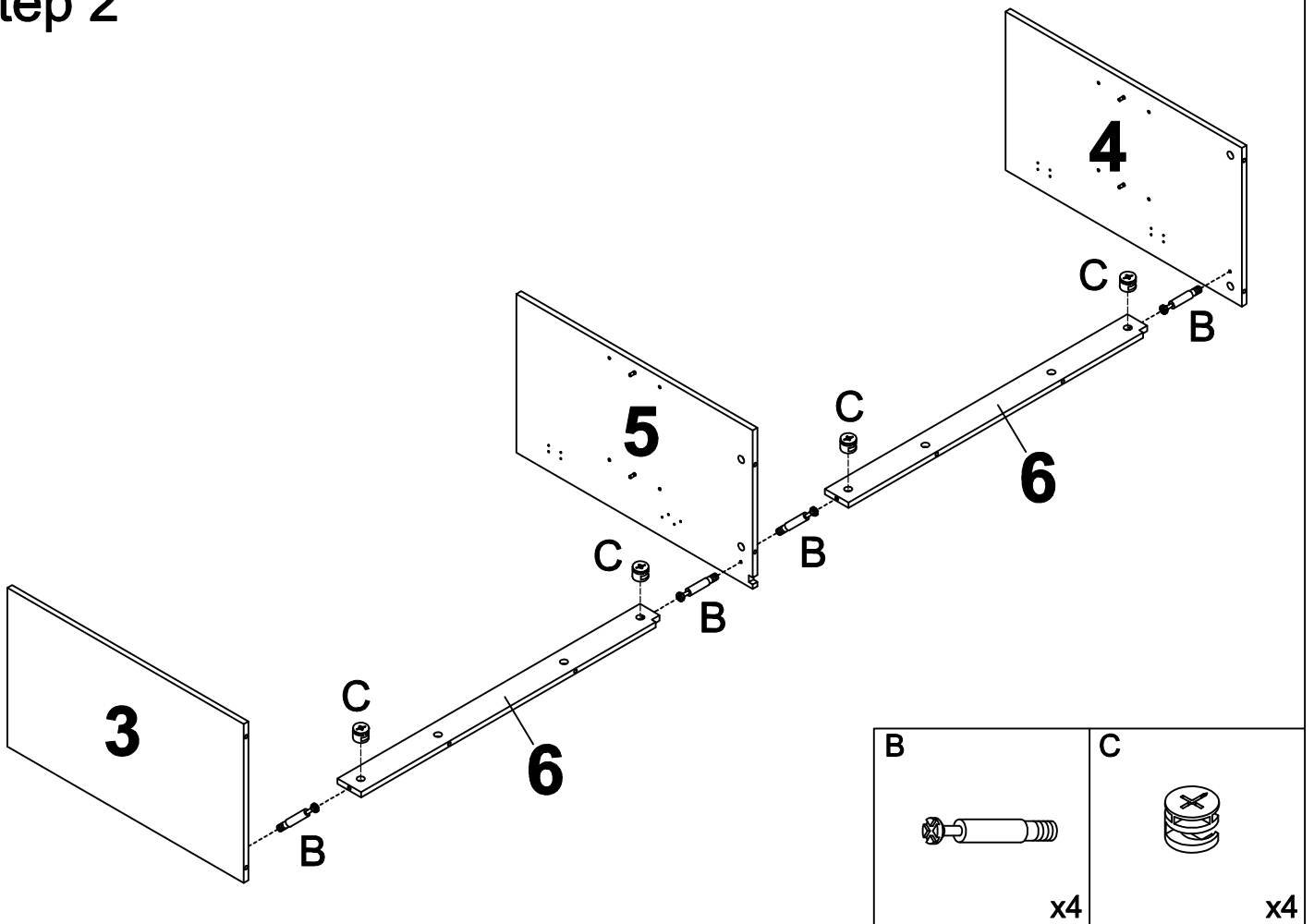
<p><b>18</b></p> <p>1500mm</p>  <p><b>x1</b></p>	<p><b>19</b></p> <p>760mm</p>  <p><b>x2</b></p>	<p><b>20</b></p>  <p><b>x1</b></p>	
---	--	--	--

<p><b>A</b></p>  <p><b>x8</b></p>	<p><b>B</b></p>  <p><b>x14</b></p>	<p><b>C</b></p>  <p><b>x14</b></p>	<p><b>D</b> M3.5x12</p>  <p><b>x76</b></p>	<p><b>E</b></p>  <p><b>x1</b></p>
<p><b>F</b></p>  <p><b>x2</b></p>	<p><b>G</b> M3x14</p>  <p><b>x4</b></p>	<p><b>H</b> M5x40</p>  <p><b>x6</b></p>	<p><b>I</b> M6x45</p>  <p><b>x4</b></p>	<p><b>J</b> M6x28</p>  <p><b>x10</b></p>
<p><b>K</b> M6x10</p>  <p><b>x20</b></p>	<p><b>L</b></p>  <p><b>x6</b></p>	<p><b>M</b></p>  <p><b>x8</b></p>	<p><b>N</b></p>  <p><b>x4</b></p>	<p><b>O</b> M4x18</p>  <p><b>x4</b></p>
<p><b>P</b></p>  <p><b>x4</b></p>	<p><b>Q</b></p>  <p><b>x1</b></p>	<p><b>R</b></p>  <p><b>x1</b></p>		

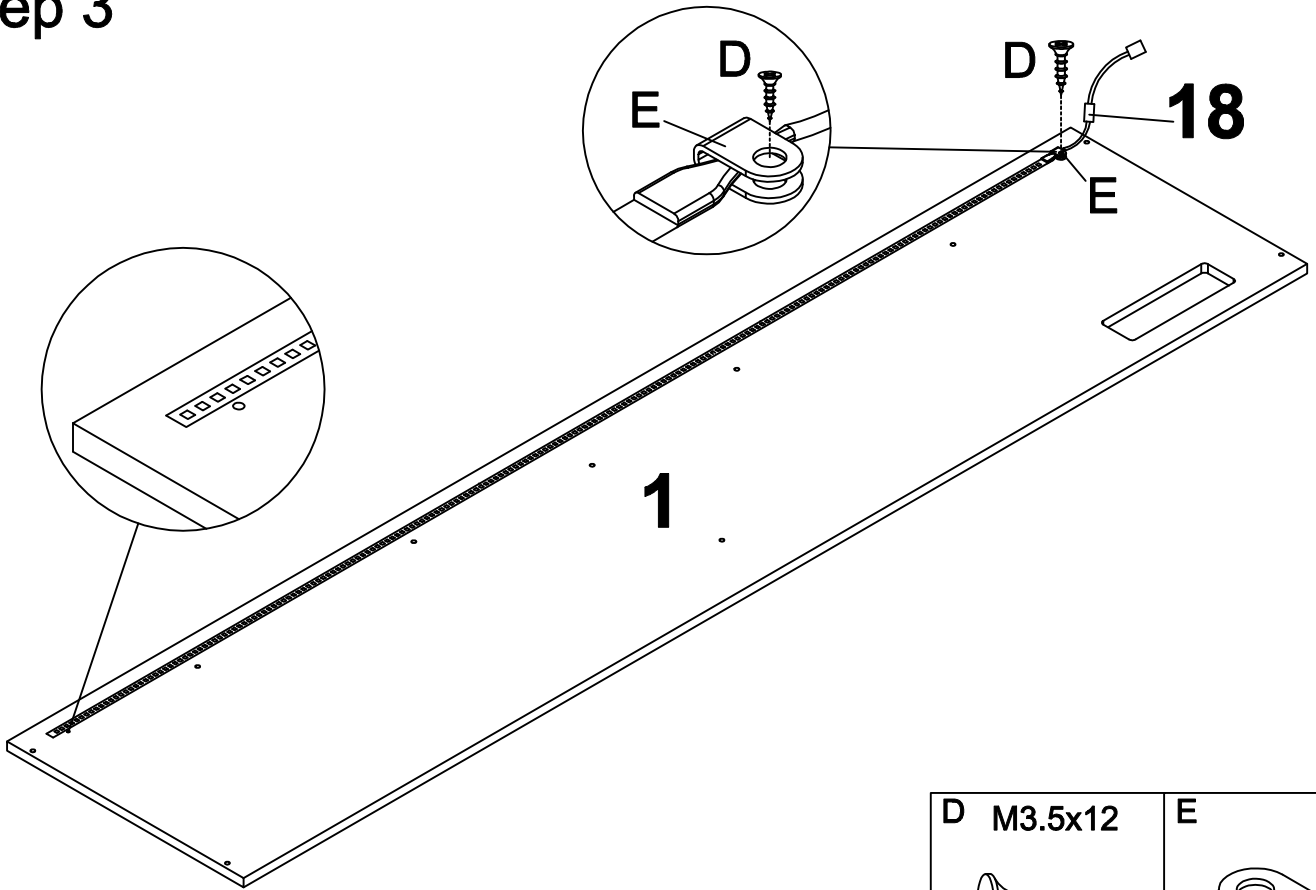
# Step 1

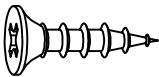



# Step 2

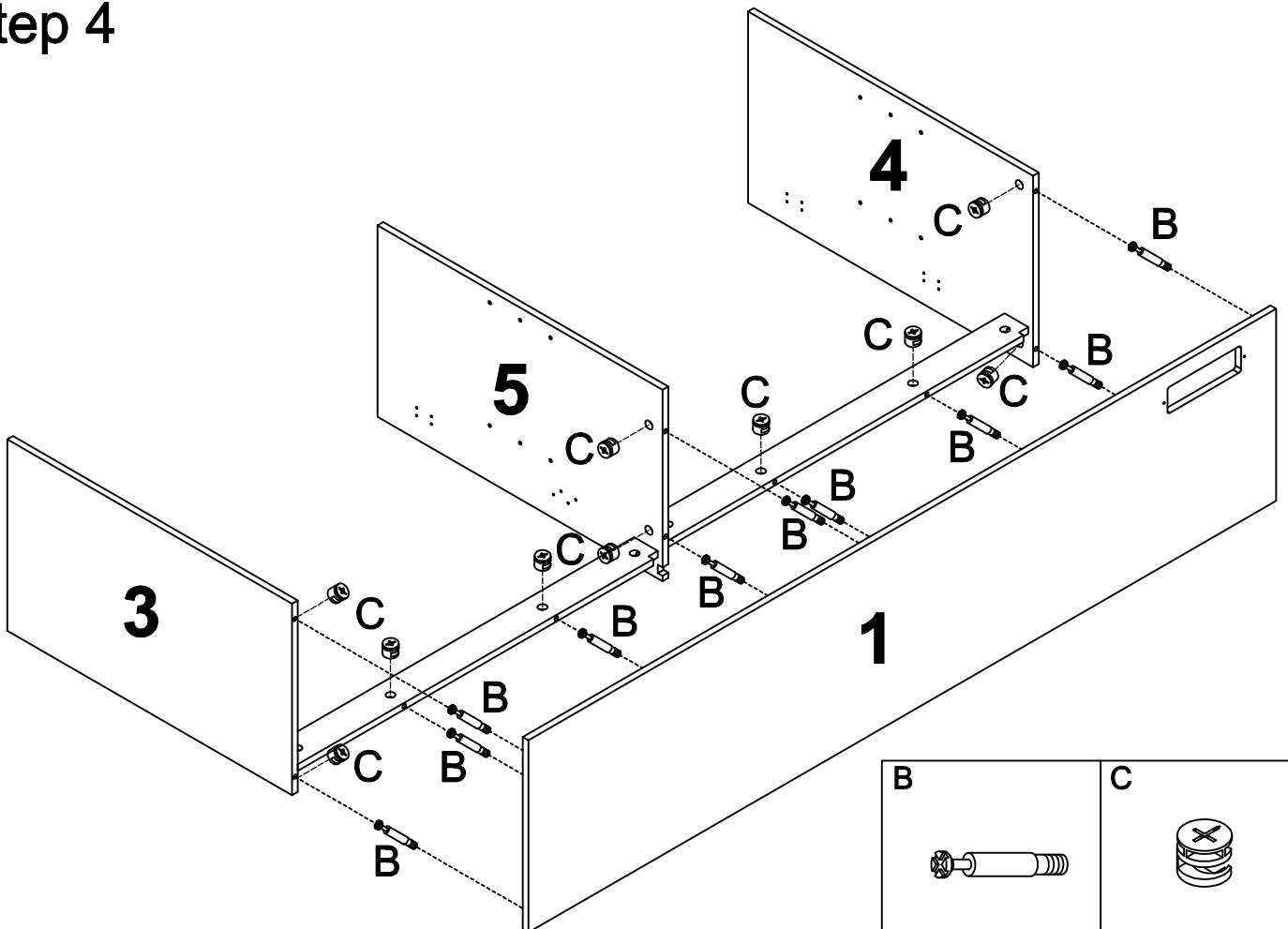


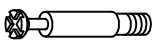

# Step 3



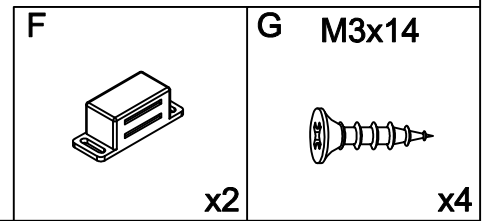
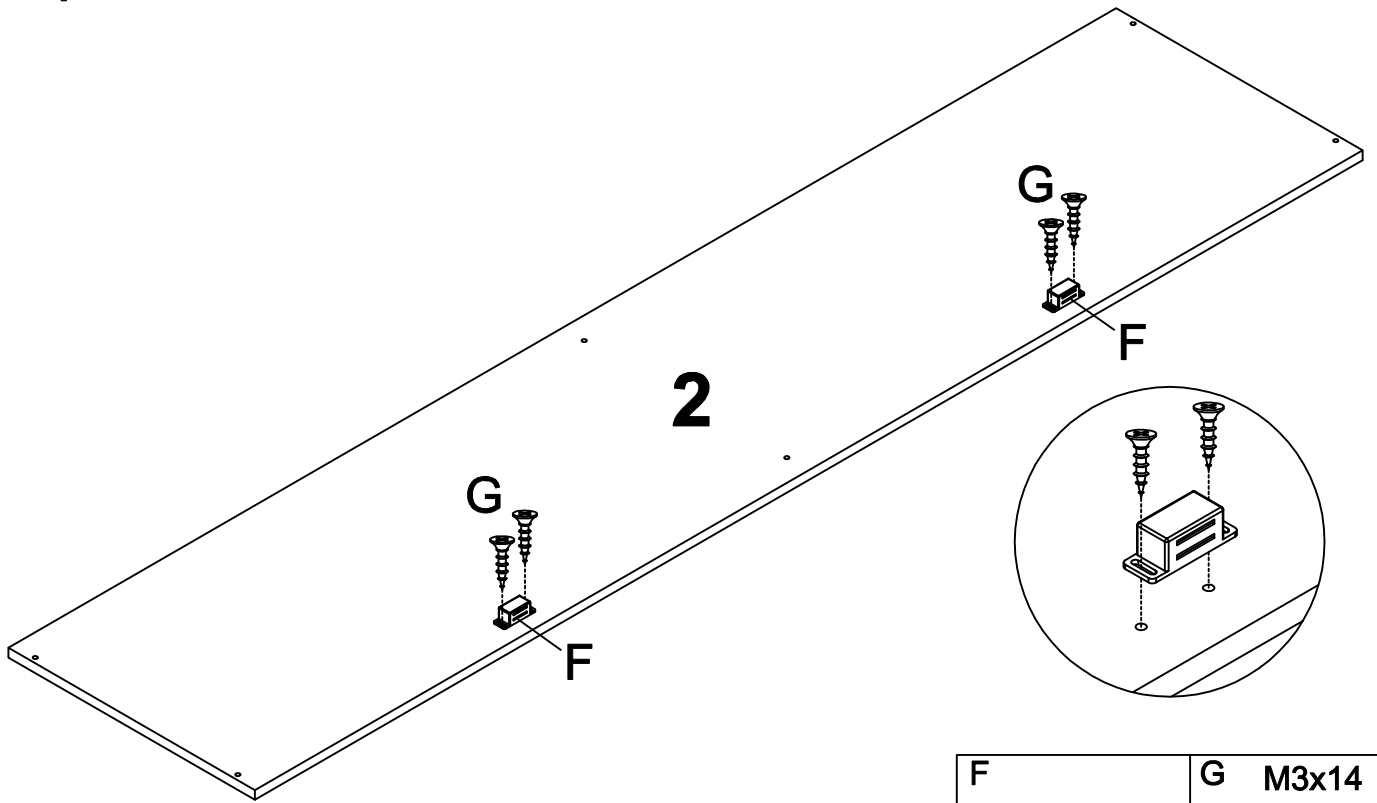
D M3.5x12	E
	
x1	x1

# Step 4

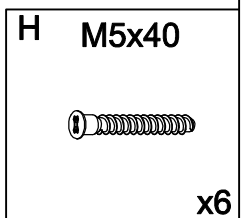
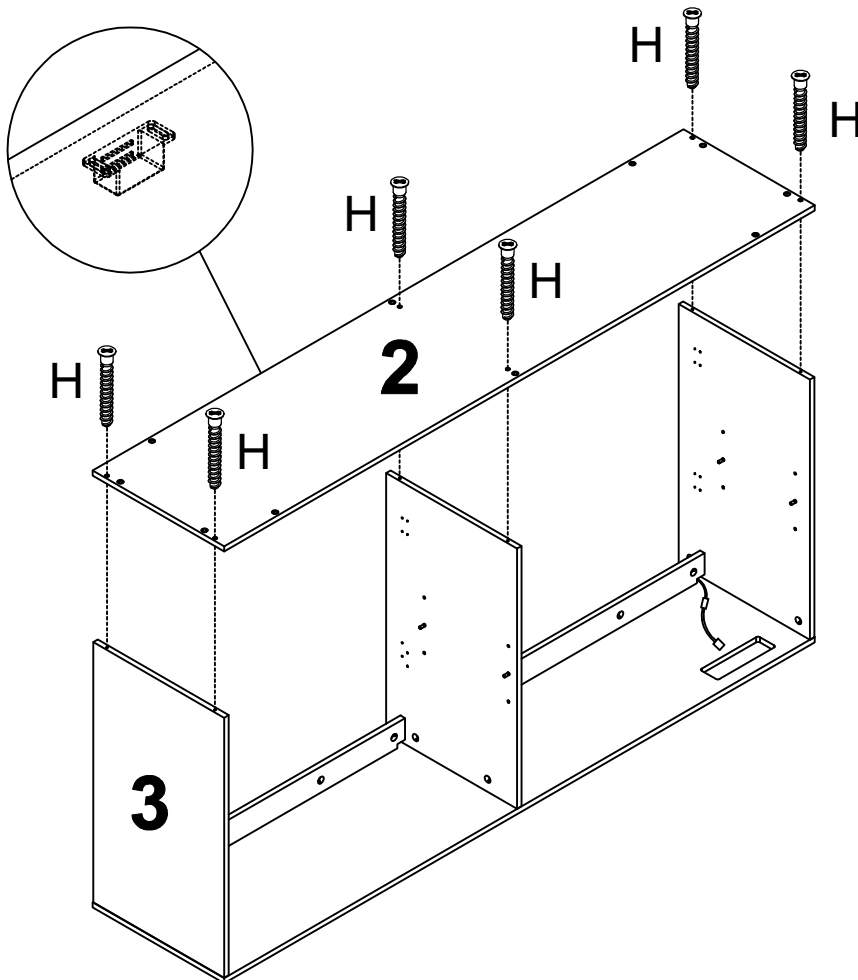


B	C
	
x10	x10

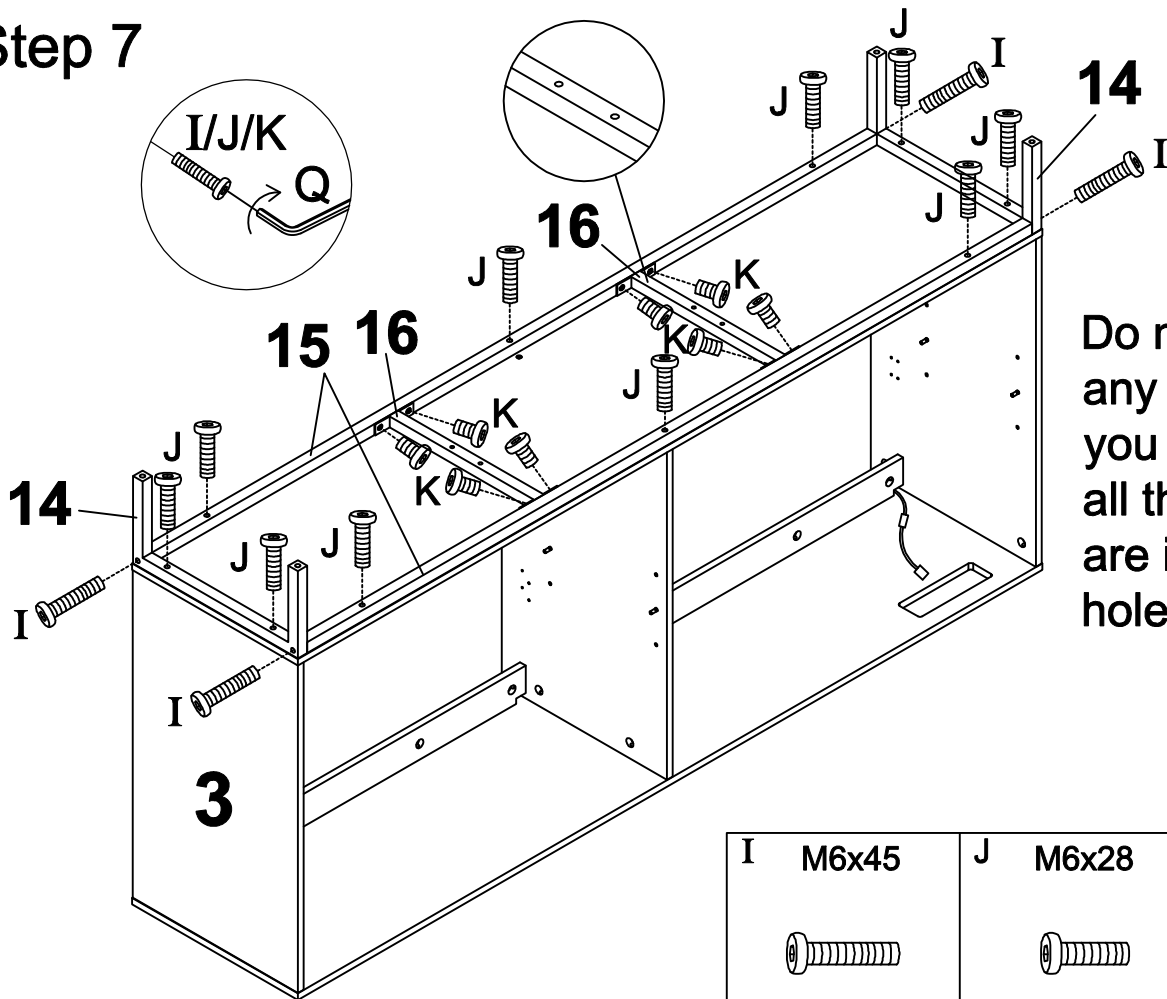
# Step 5



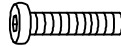
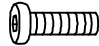

# Step 6



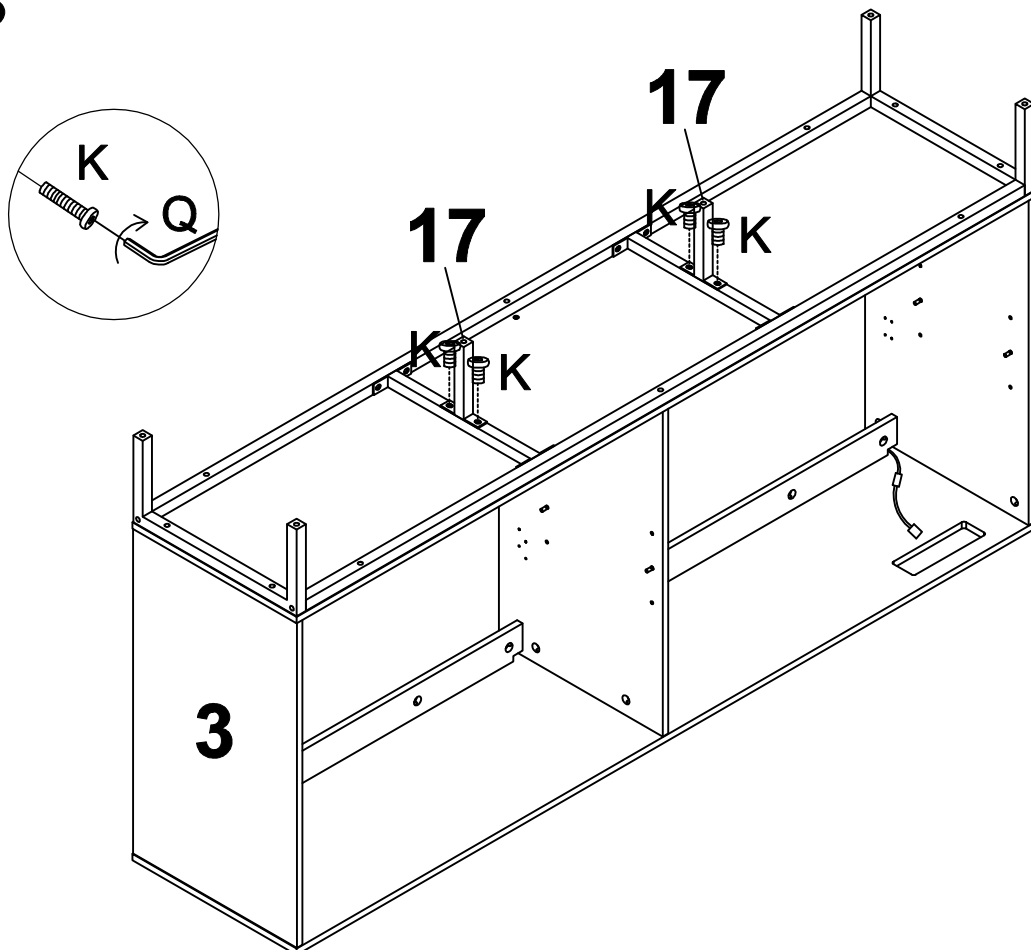
# Step 7




Do not tighten any screw until you make sure all the screws are in the right holes.

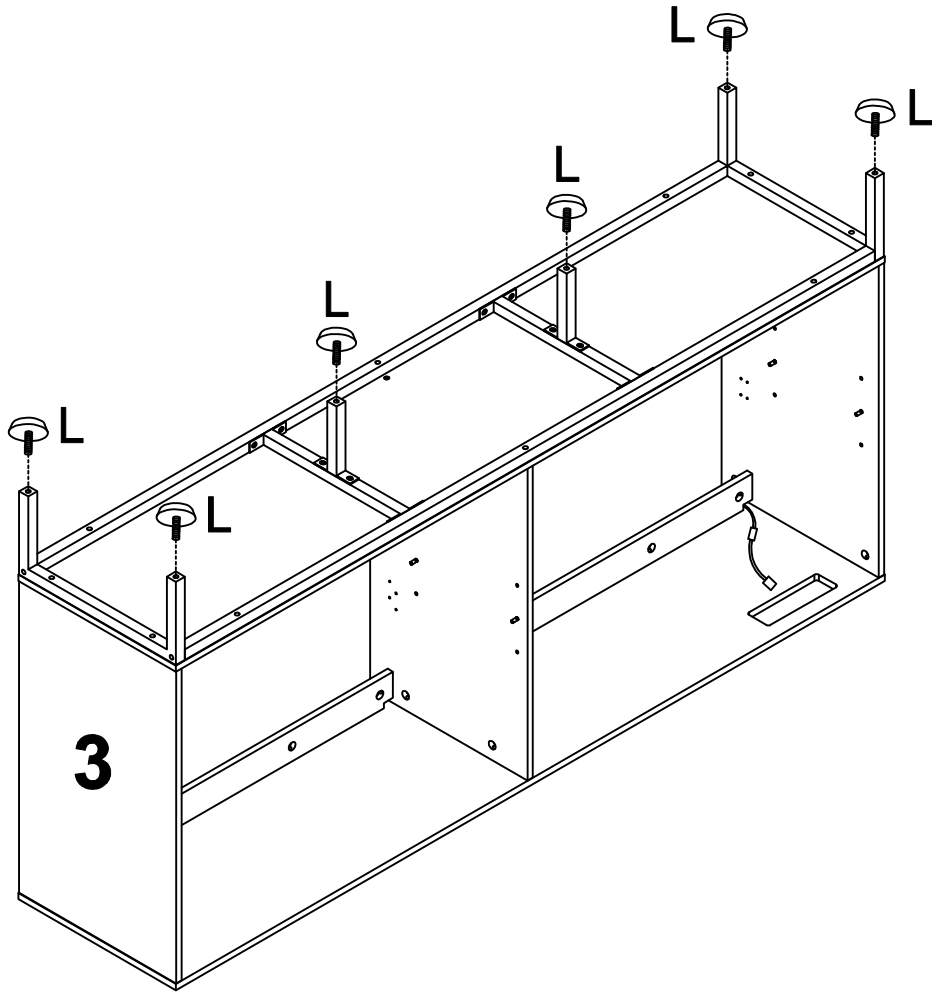
I	M6x45	J	M6x28	K	M6x10
					
x4		x10		x8	

# Step 8

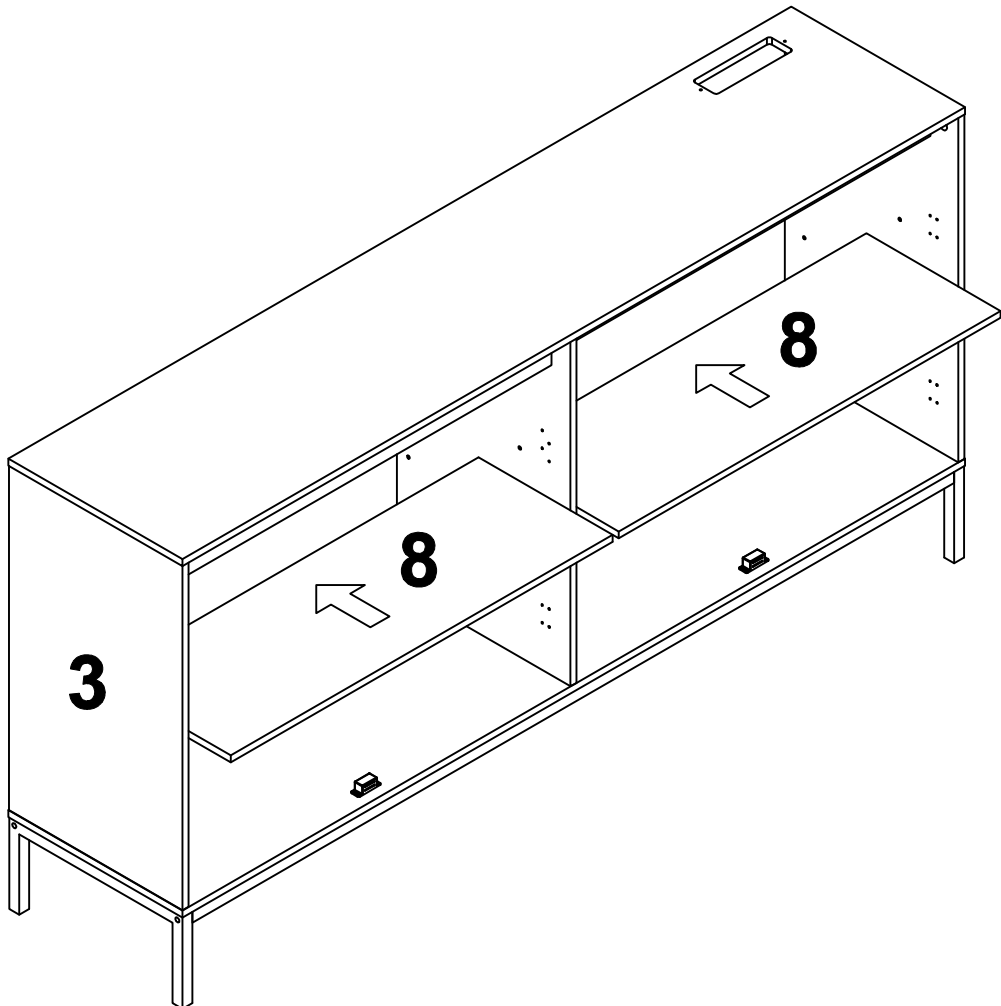


K	M6x10
	
x4	

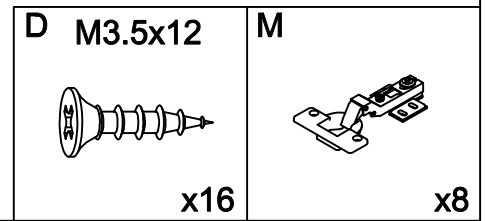
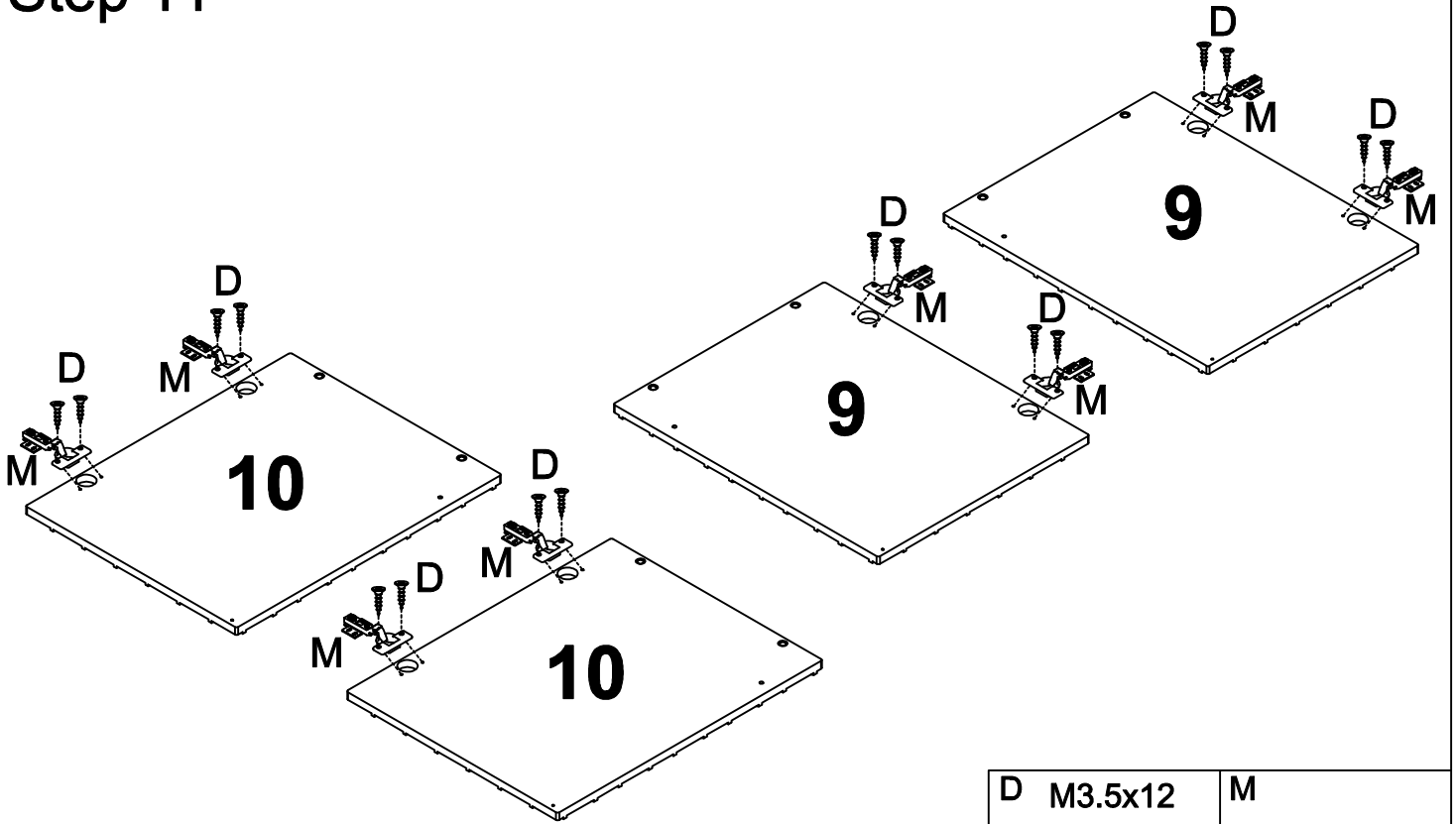
# Step 9



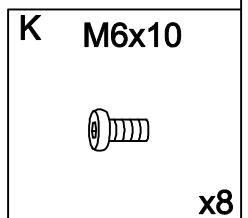
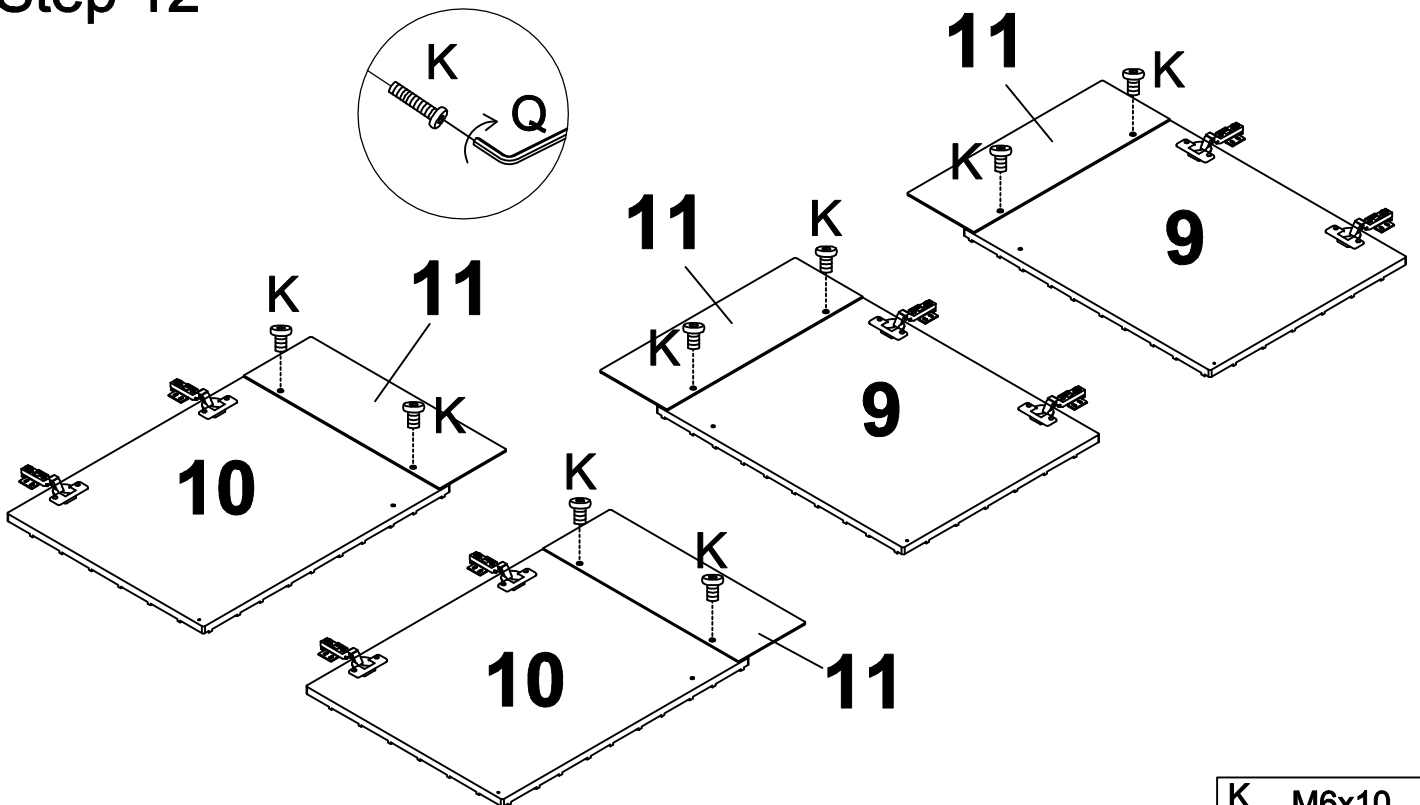
# Step 10



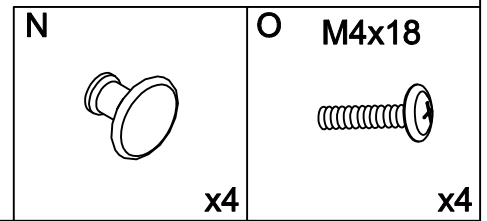
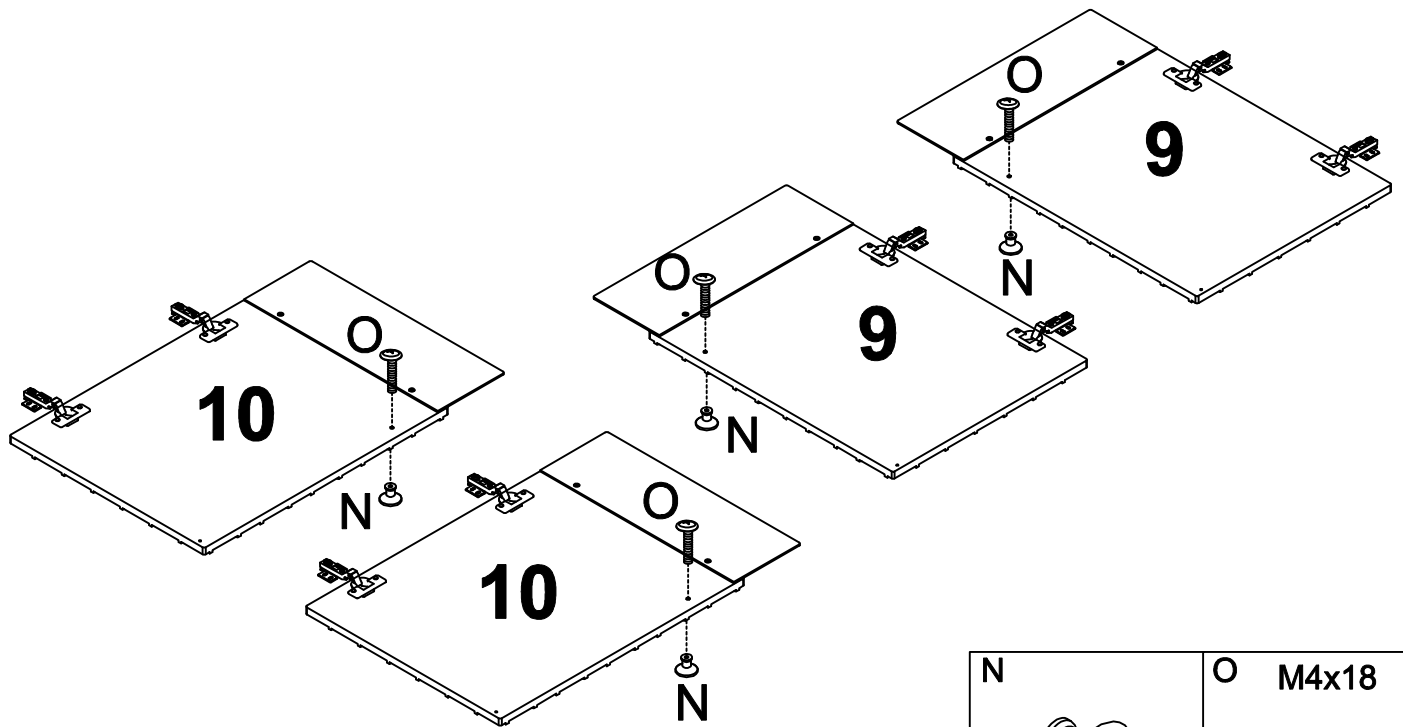
# Step 11



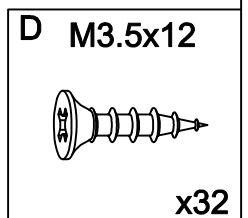
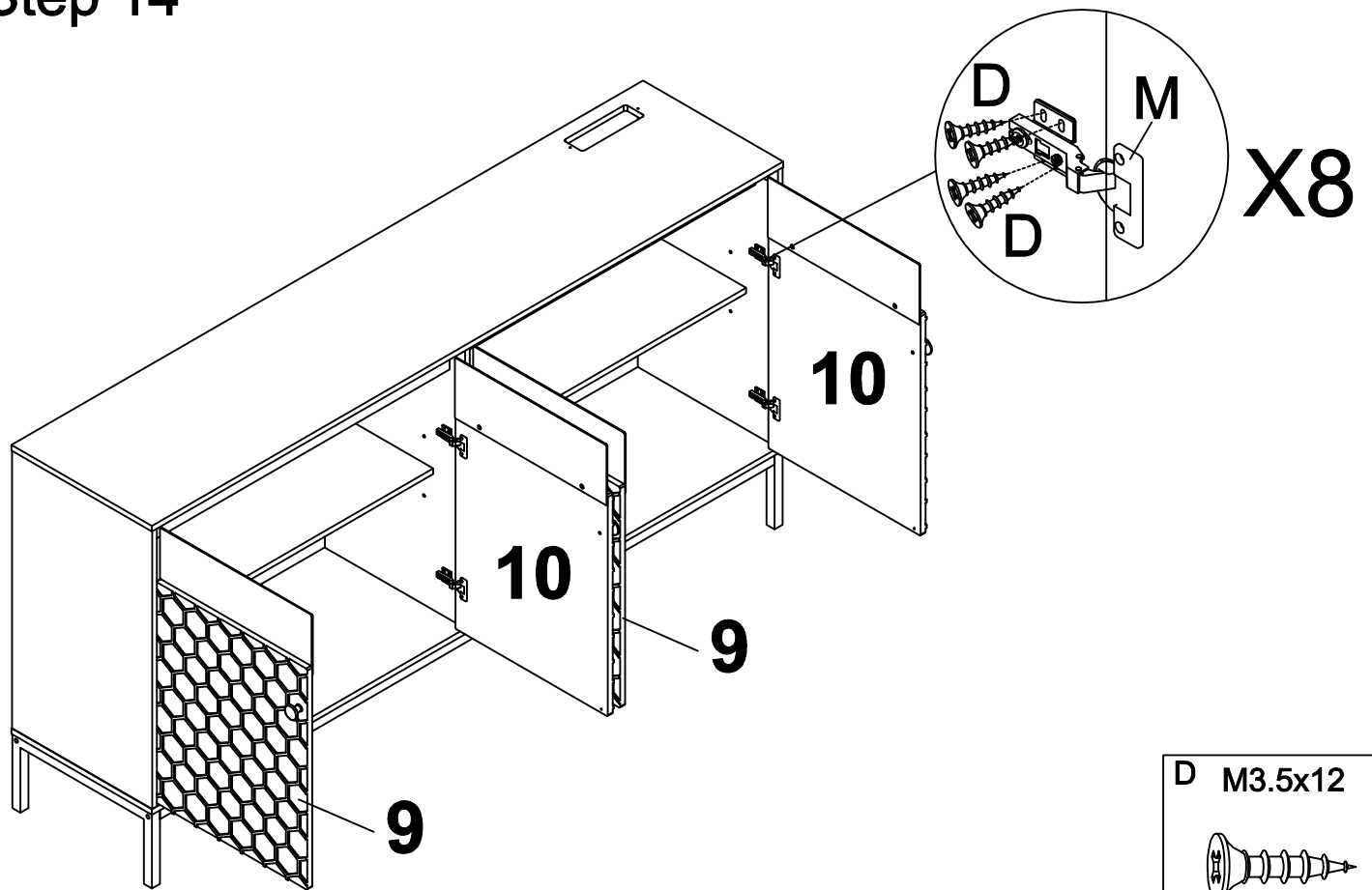
# Step 12



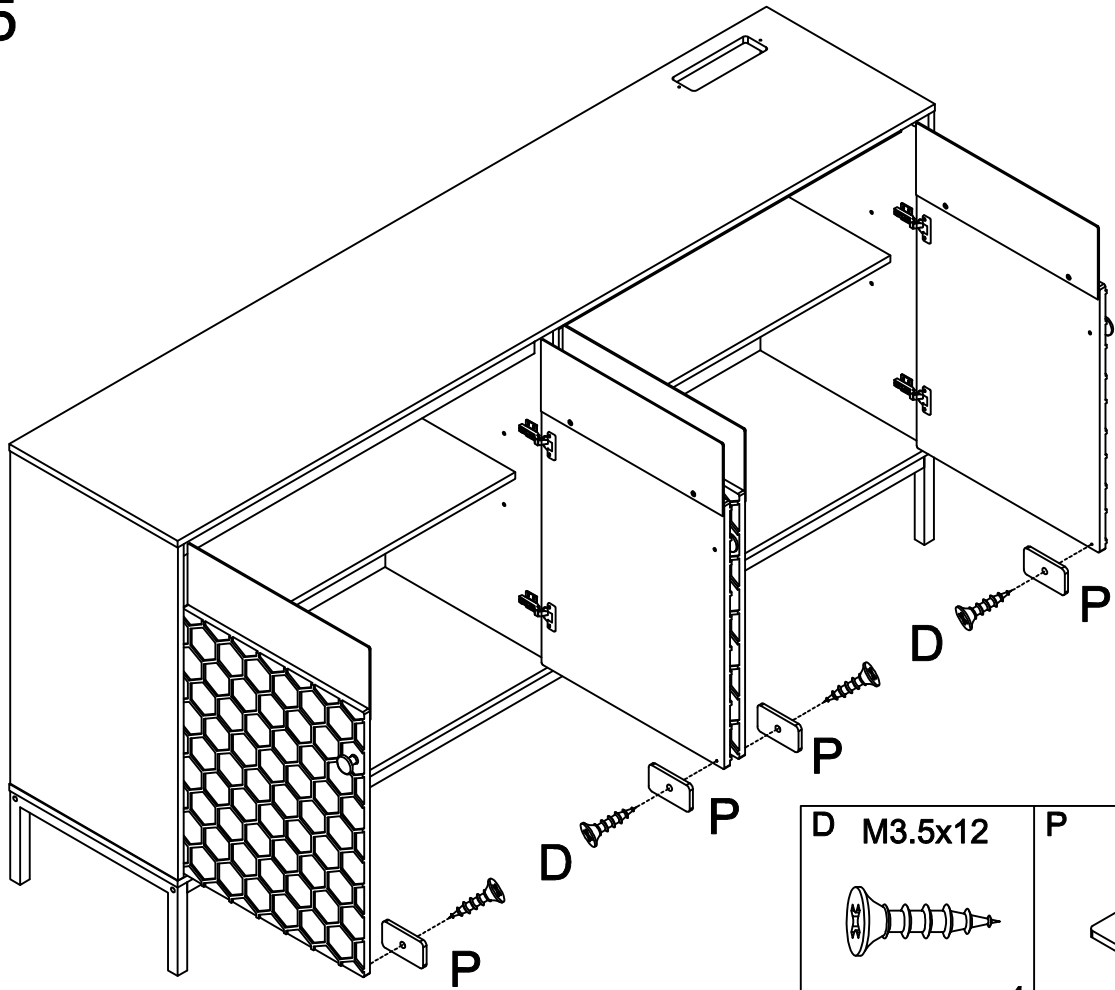
# Step 13



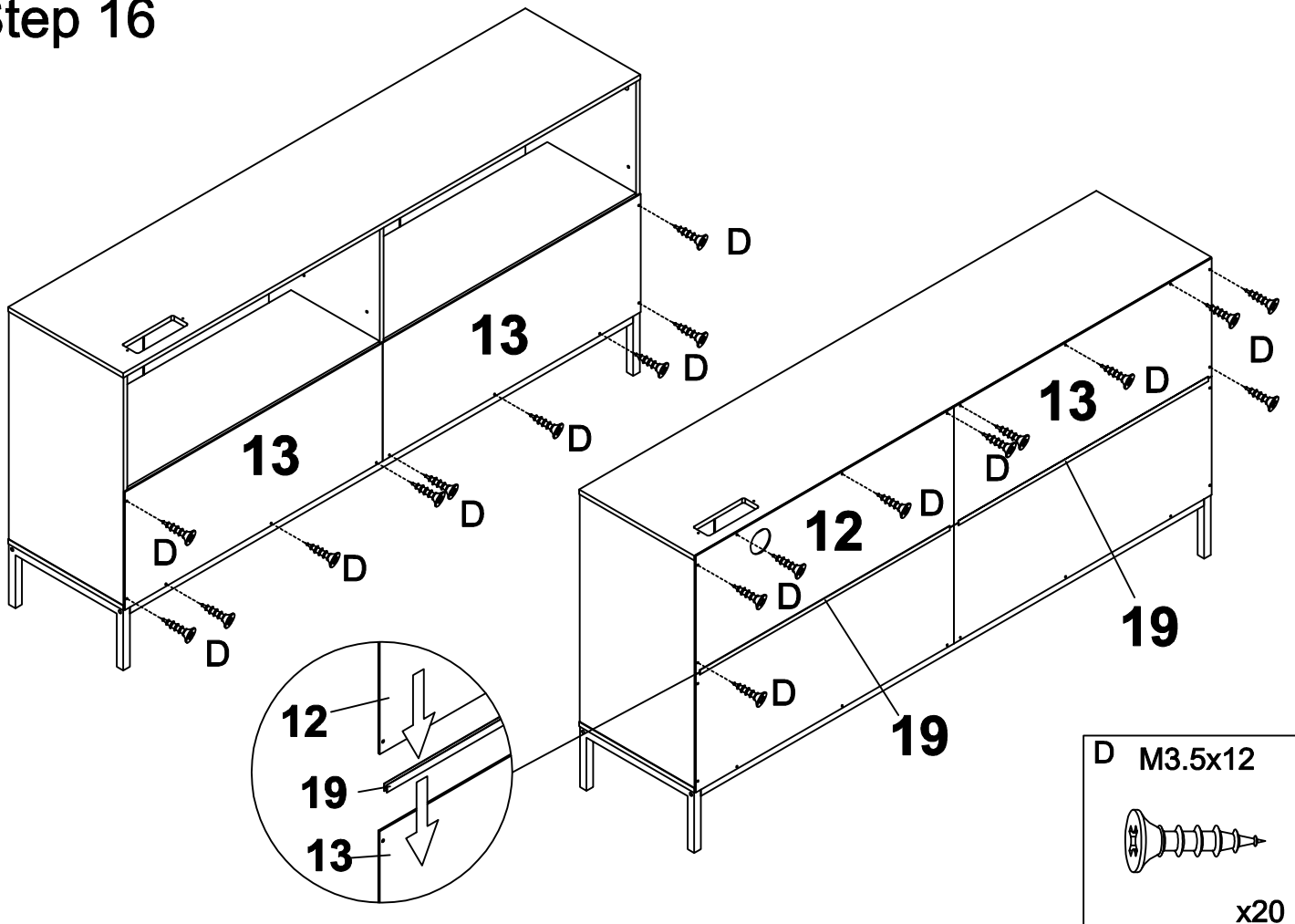
# Step 14



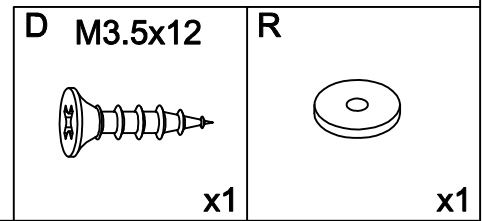
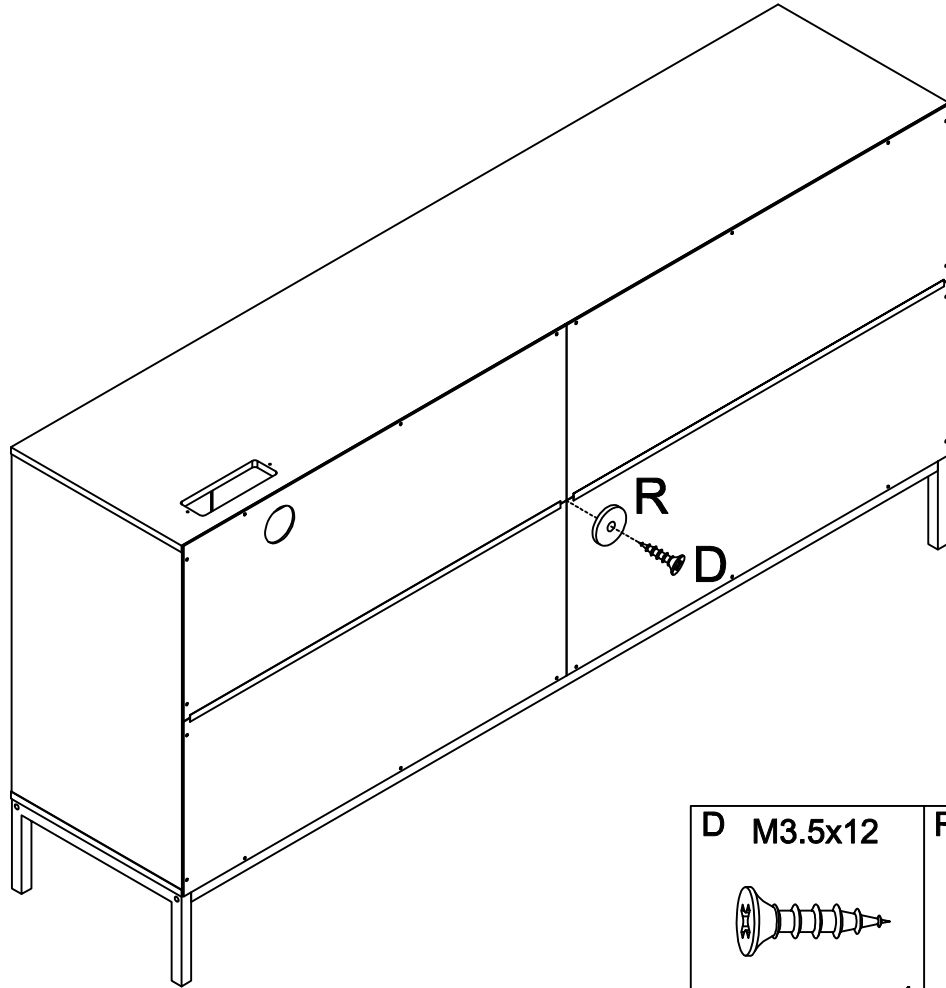
# Step 15



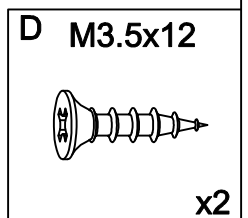
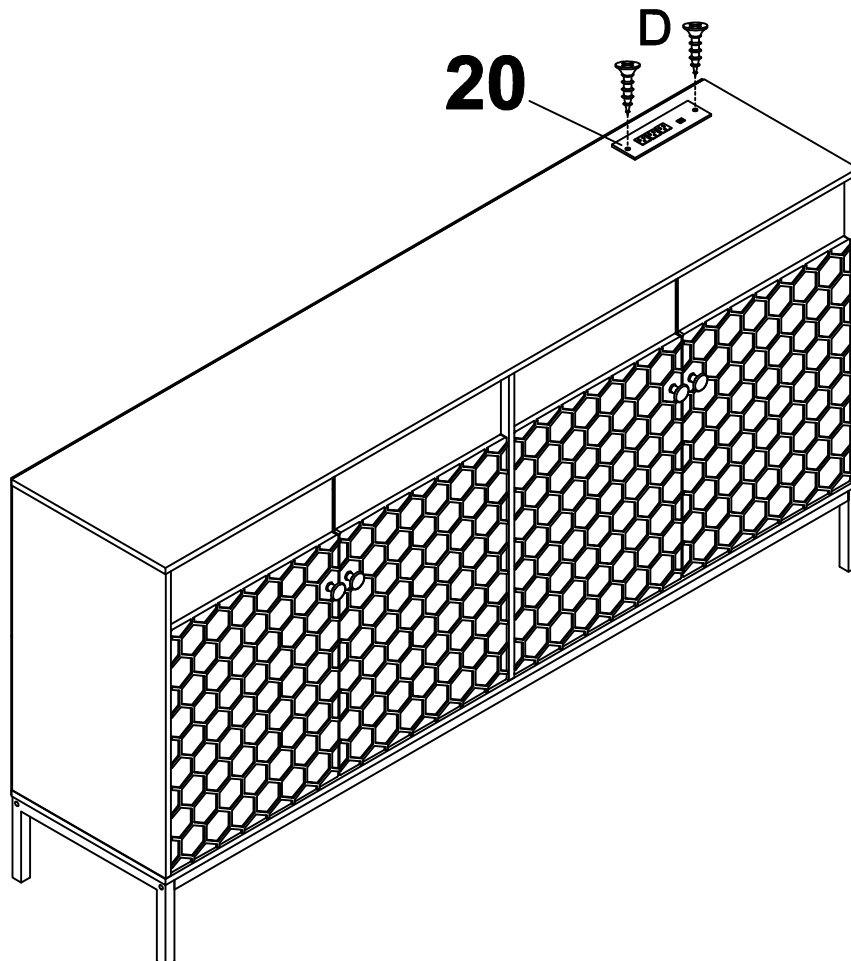
# Step 16



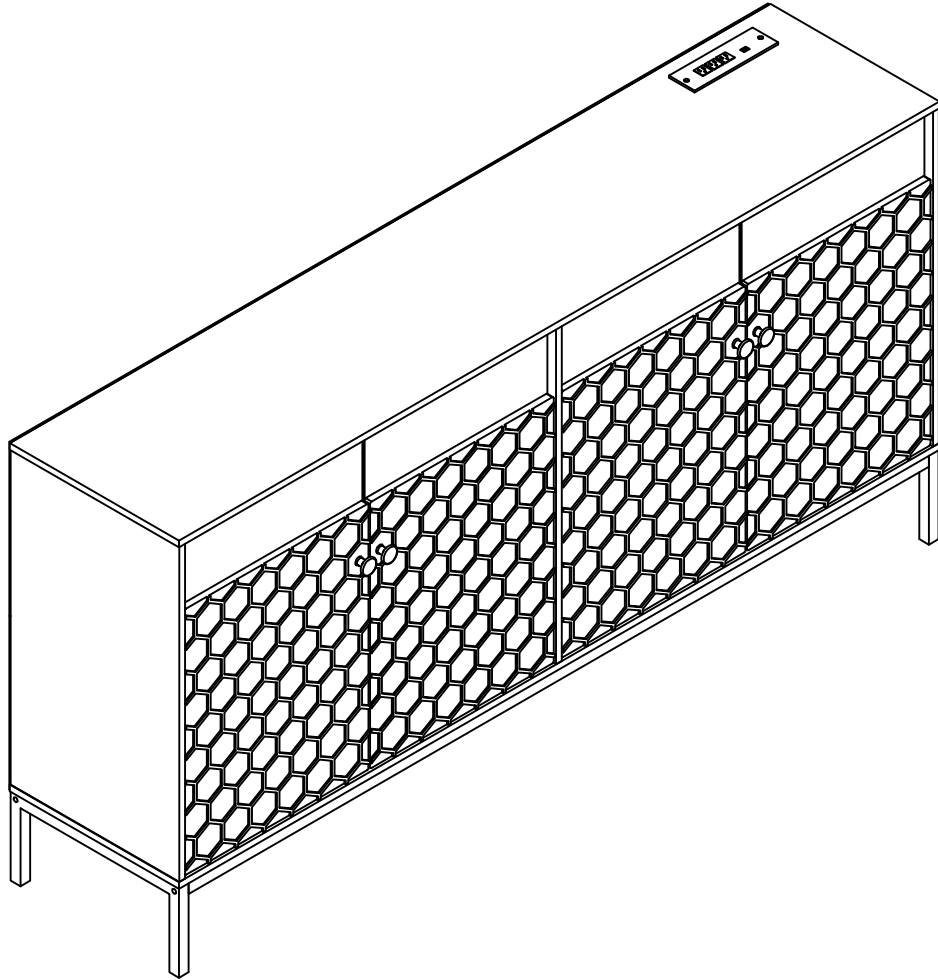
# Step 17



# Step 18

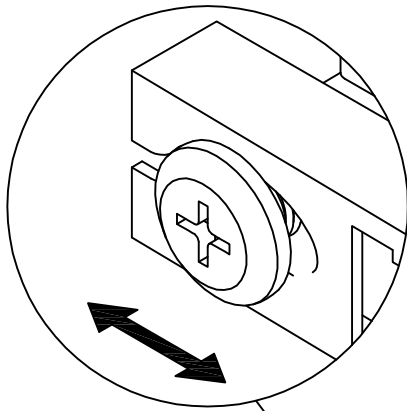


Finish !!!

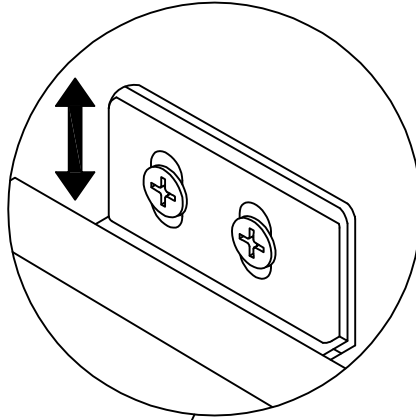


# Hinge Installation Diagram

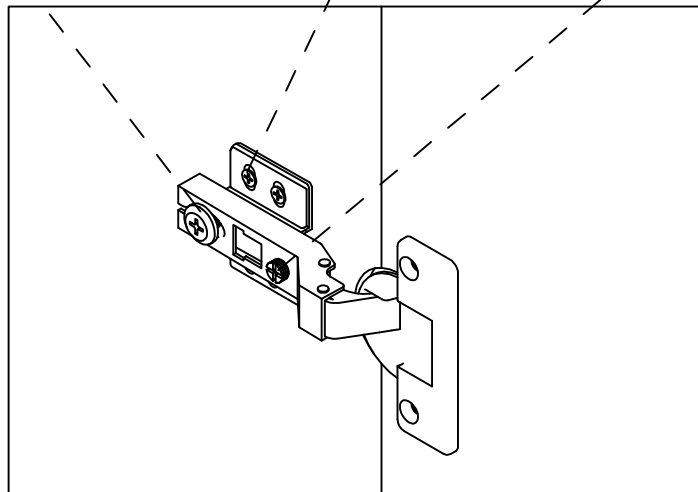
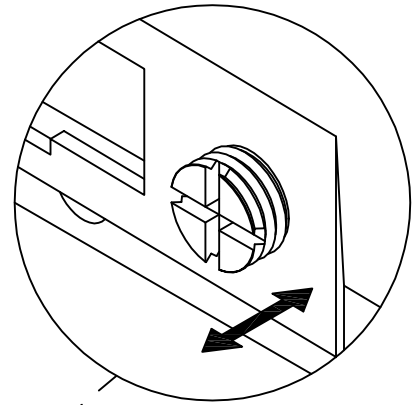
Left and Right



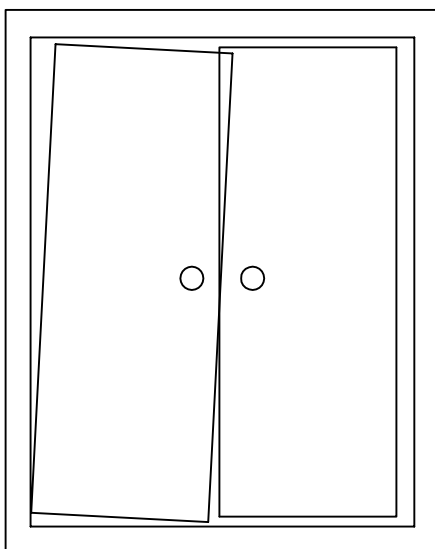
Up and Down



Back and Forth



Before



After

