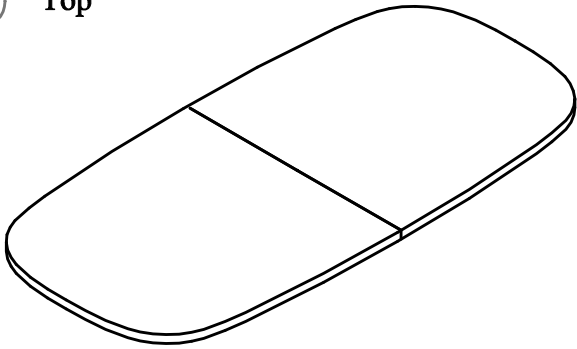


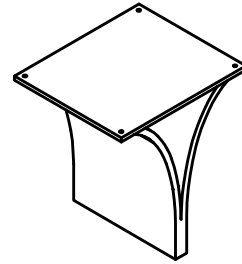
ASSEMBLY INSTRUCTION

P1 Top



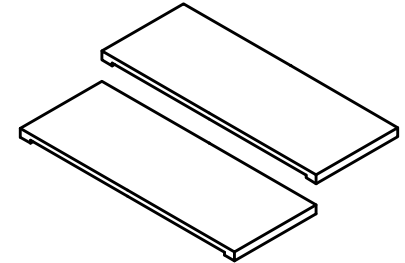
x 1

P2 Base



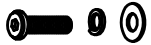
x 1

P3 Leaf



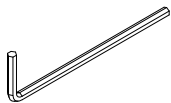
x 1

1 Steel allen bolt, lock, flat washer

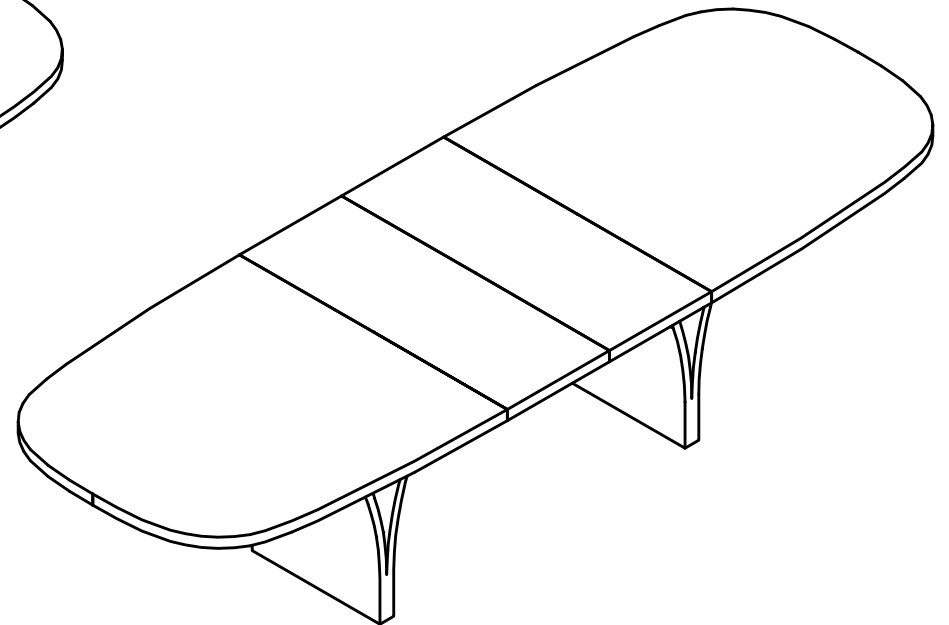
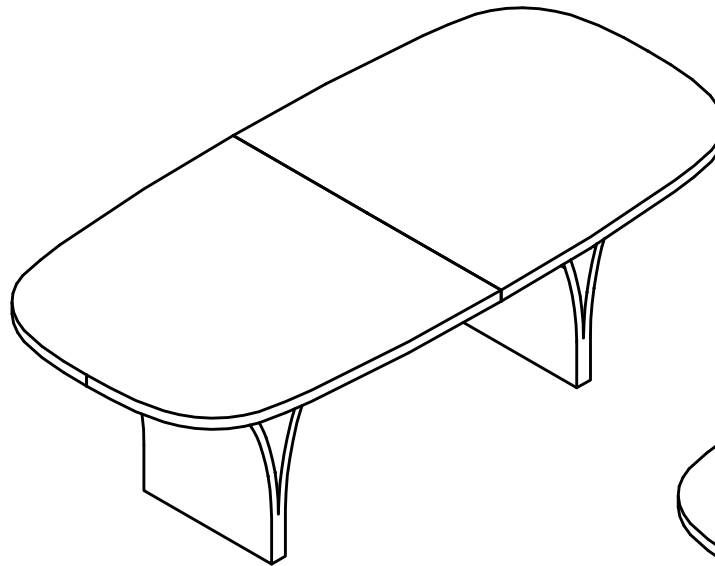


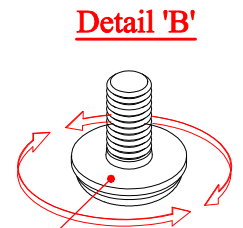
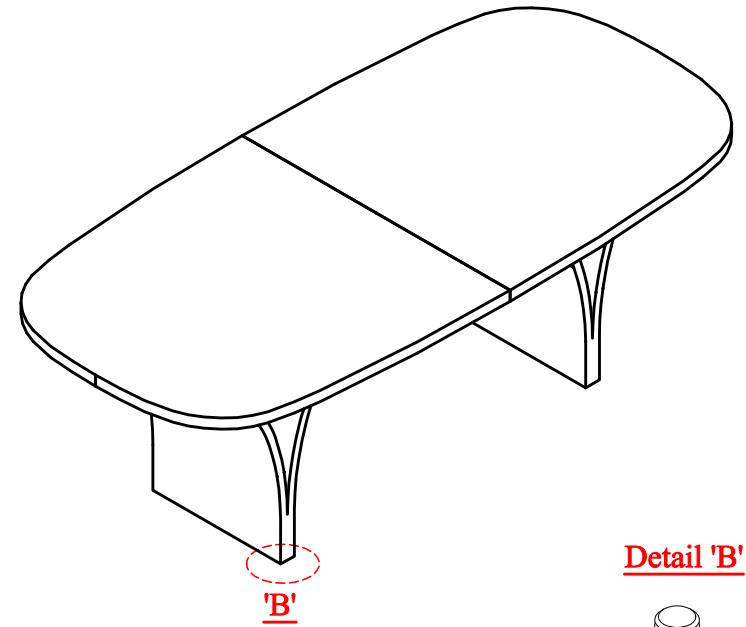
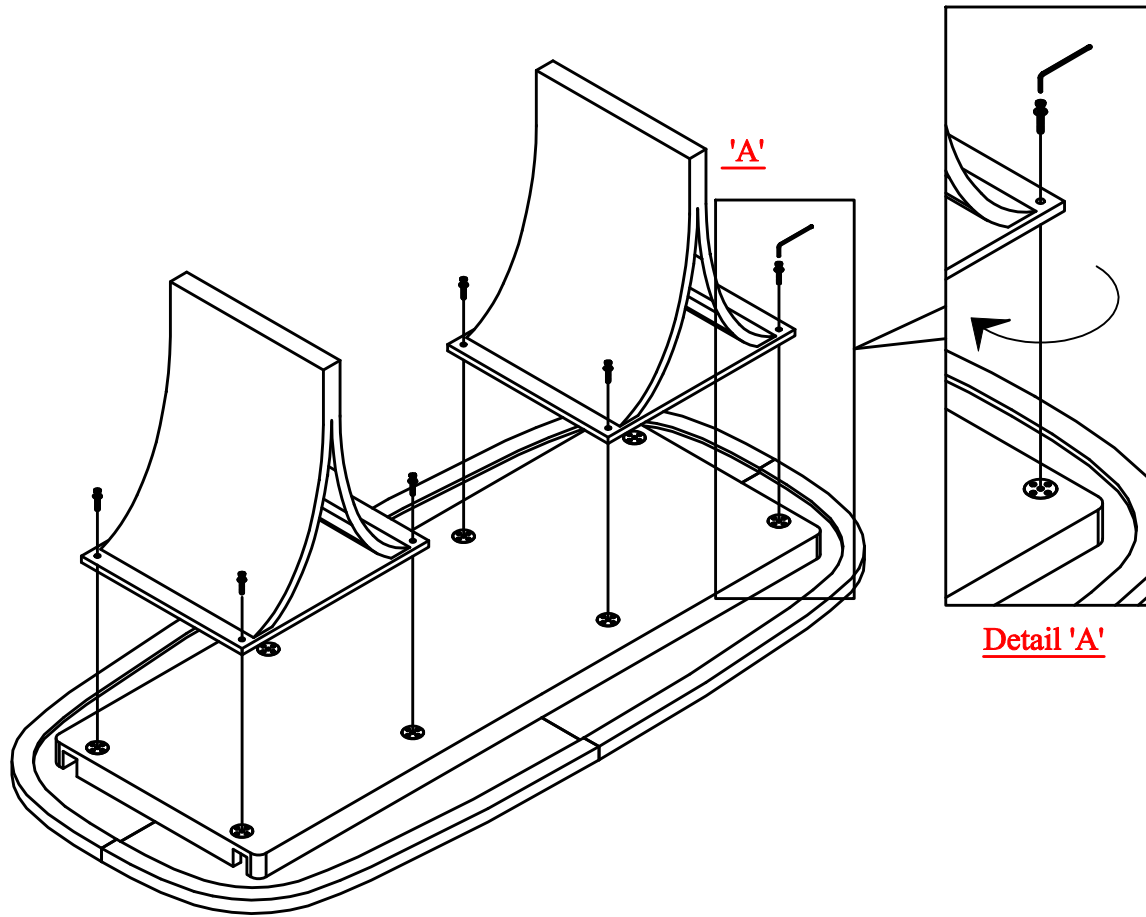
x 8

2 Steel allen wrench



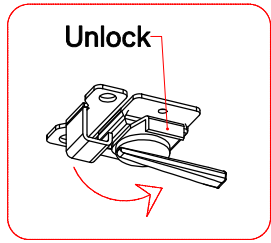
x 1



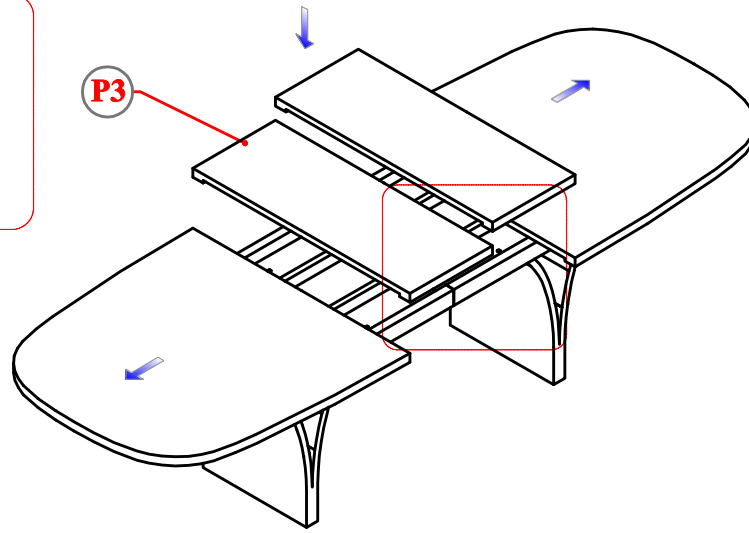


Adjustable glider

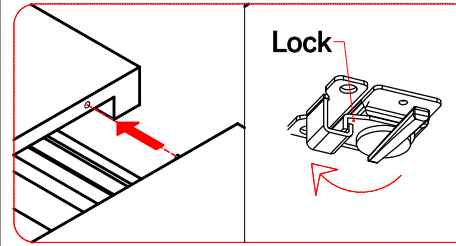
Sketch 1



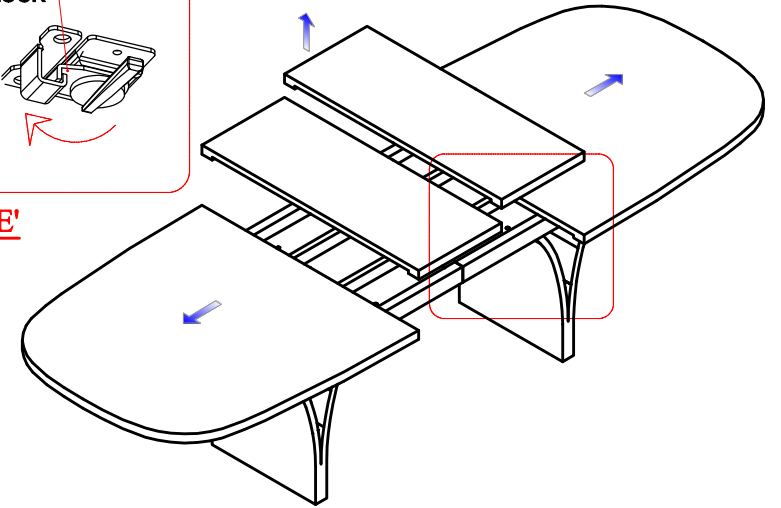
Detail 'C'



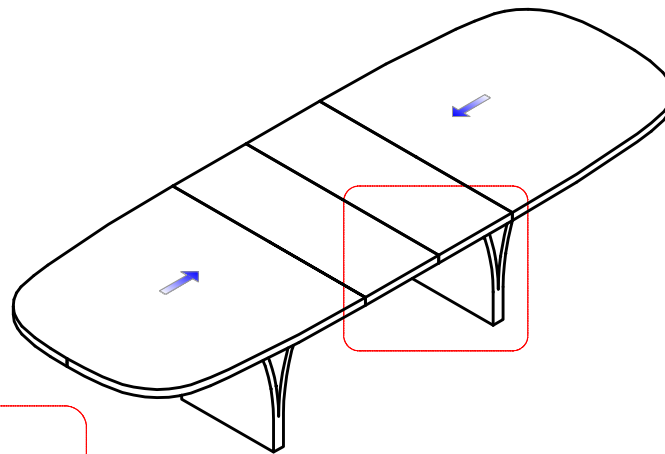
Sketch 3



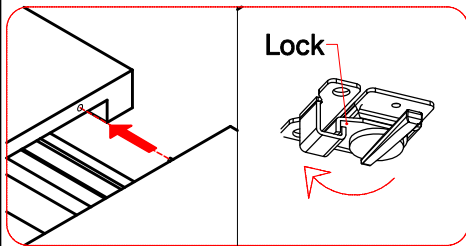
Detail 'E'



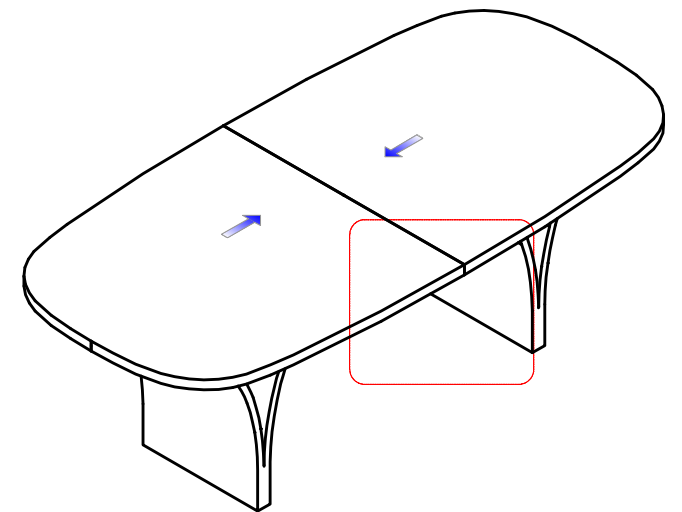
Sketch 2



Detail 'D'



Sketch 4



Detail 'F'

