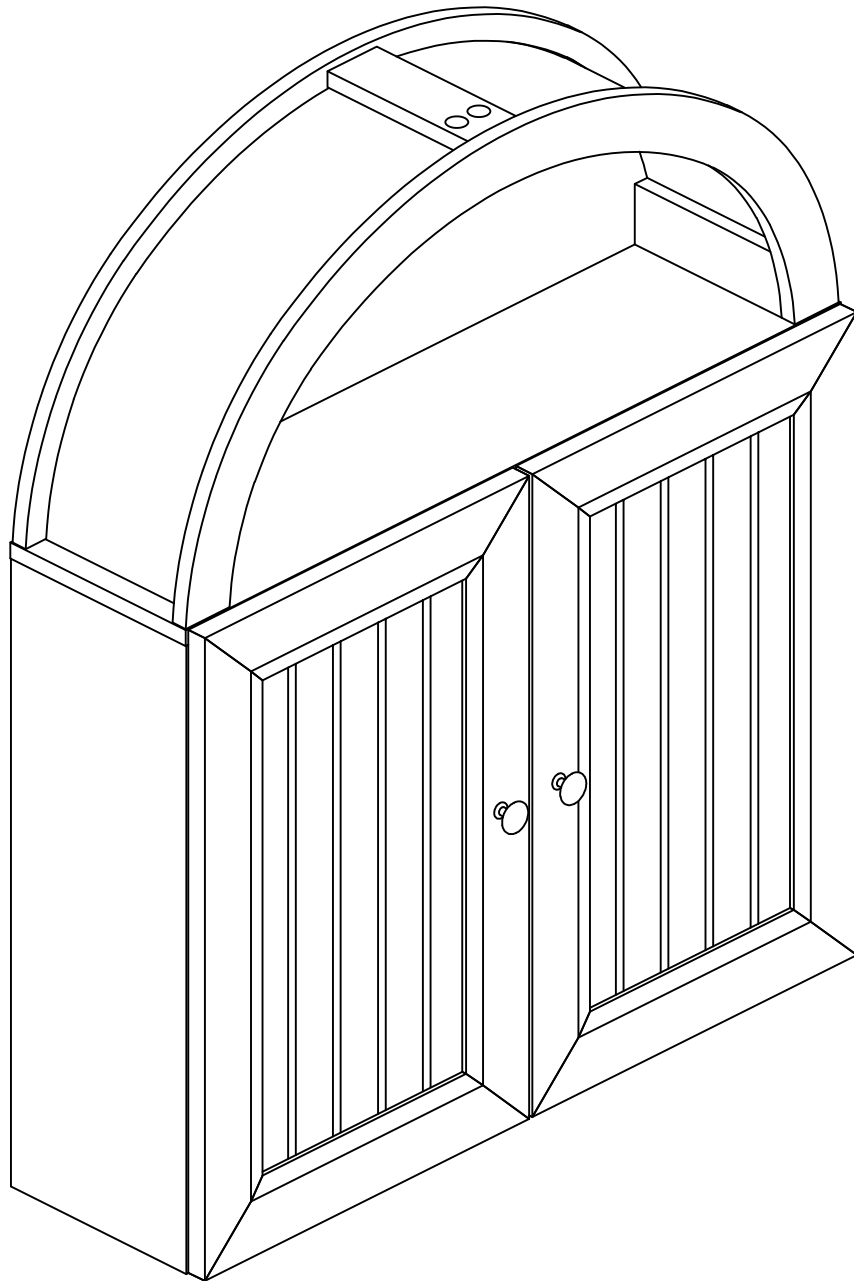


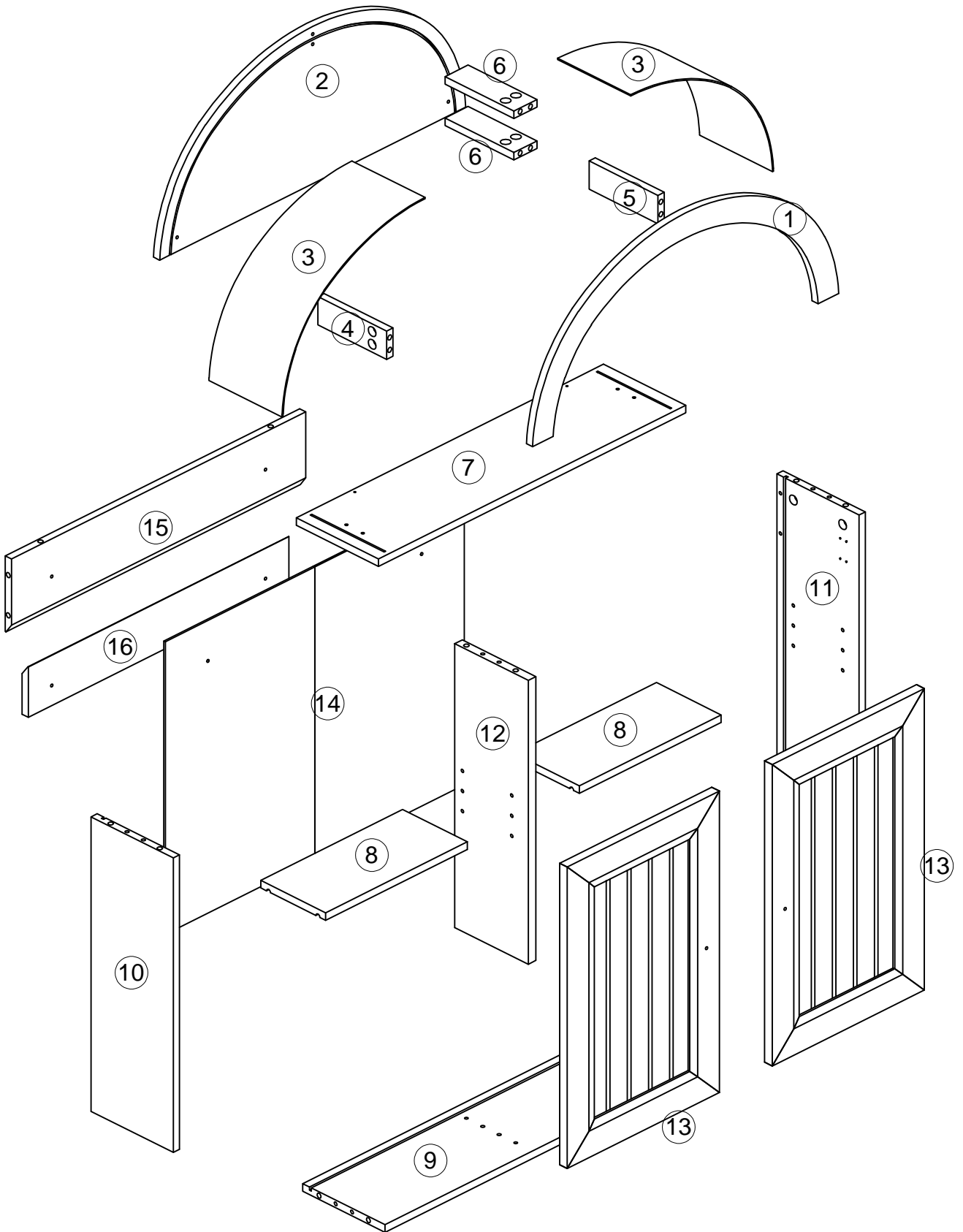
Wall Cabinet





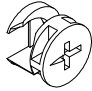

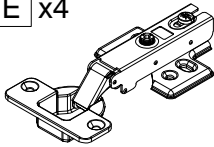

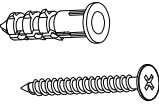
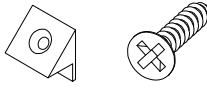
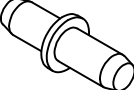
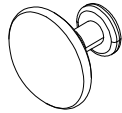
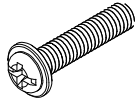

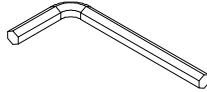
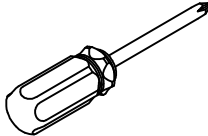
DJ504183-1

version: 1.0

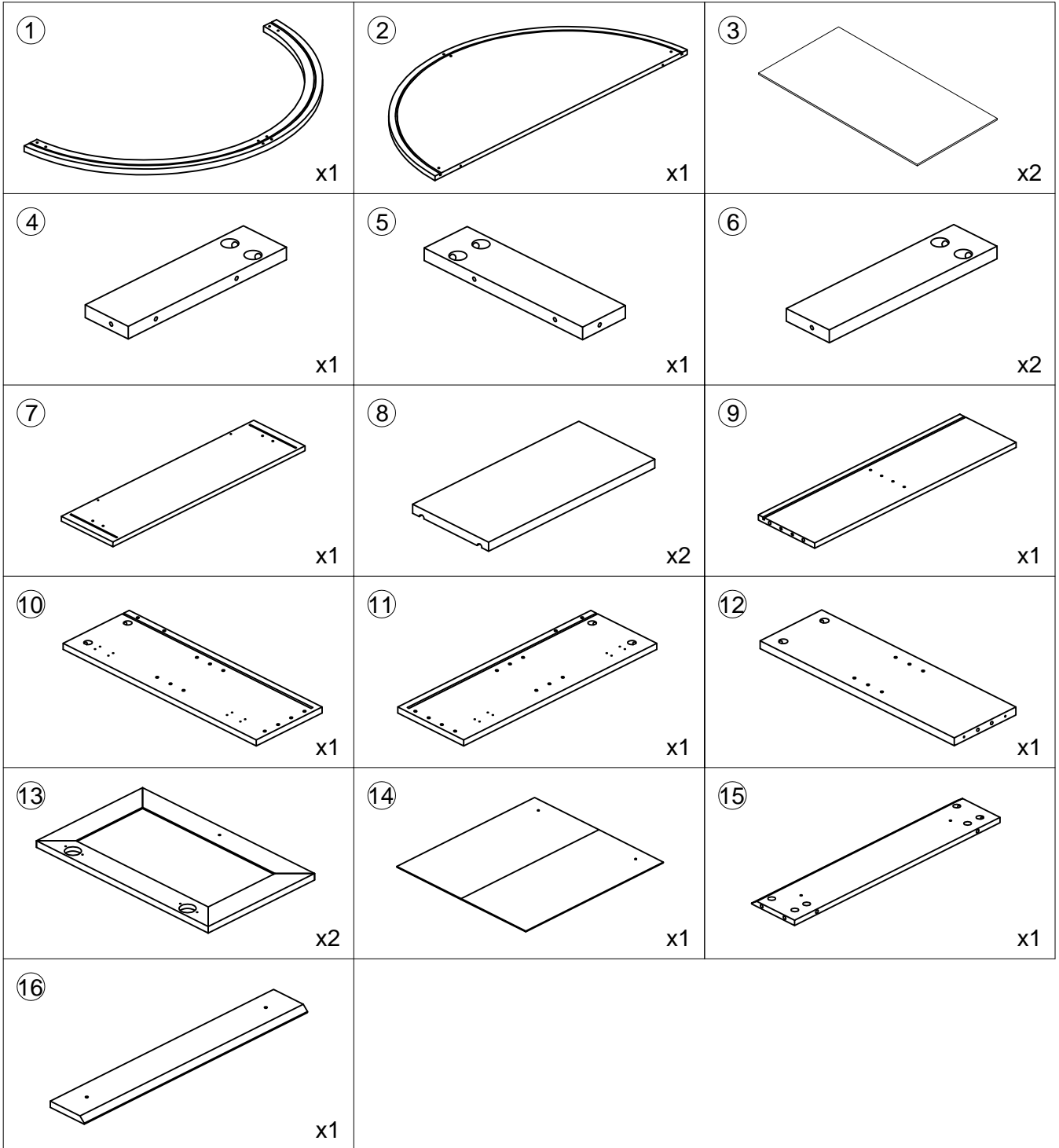
ASSEMBLY INSTRUCTIONS



ASSEMBLY INSTRUCTIONS

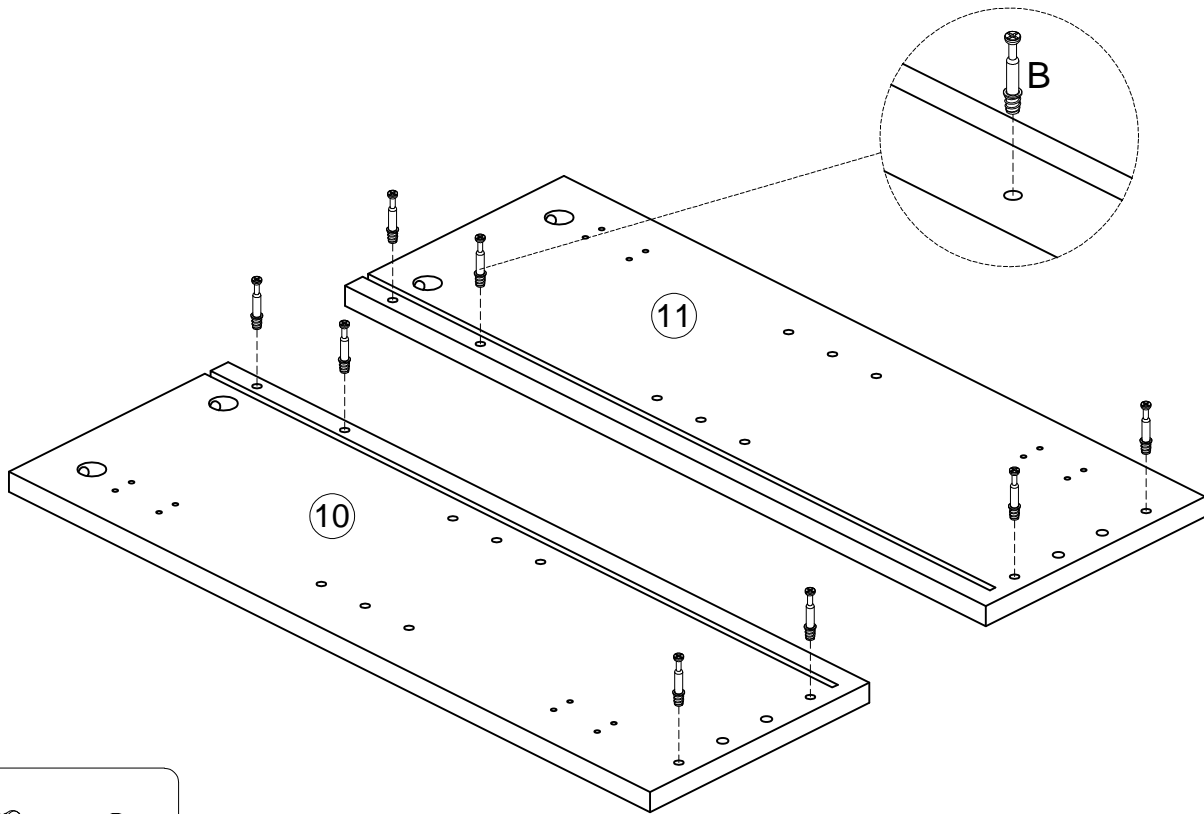
| | | | | |
|---|--|--|---|--|
| <p>A x12+1</p>  <p>Ø6x30mm</p> | <p>B x24+2</p>  <p>Ø6x35mm</p> | <p>C x24+2</p>  <p>Ø15x10mm</p> | <p>D x12+2</p>  <p>Ø5x38mm</p> | <p>E x4</p>  |
| <p>F x24+2</p>  <p>Ø7xØ3.5x12mm</p> | <p>G x4</p>  | <p>H x5+1</p>  <p>15*14*10mm Ø6x3x16mm</p> | <p>I x8+1</p>  | <p>J x2</p>  |
| <p>K x2</p>  <p>M4x20mm</p> | <p>L x12+2</p>  <p>Ø20mm</p> | <p>M x1</p>  <p>3mm</p> |  | |

ASSEMBLY INSTRUCTIONS

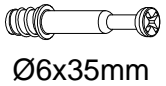


INSTALLATION INSTRUCTION

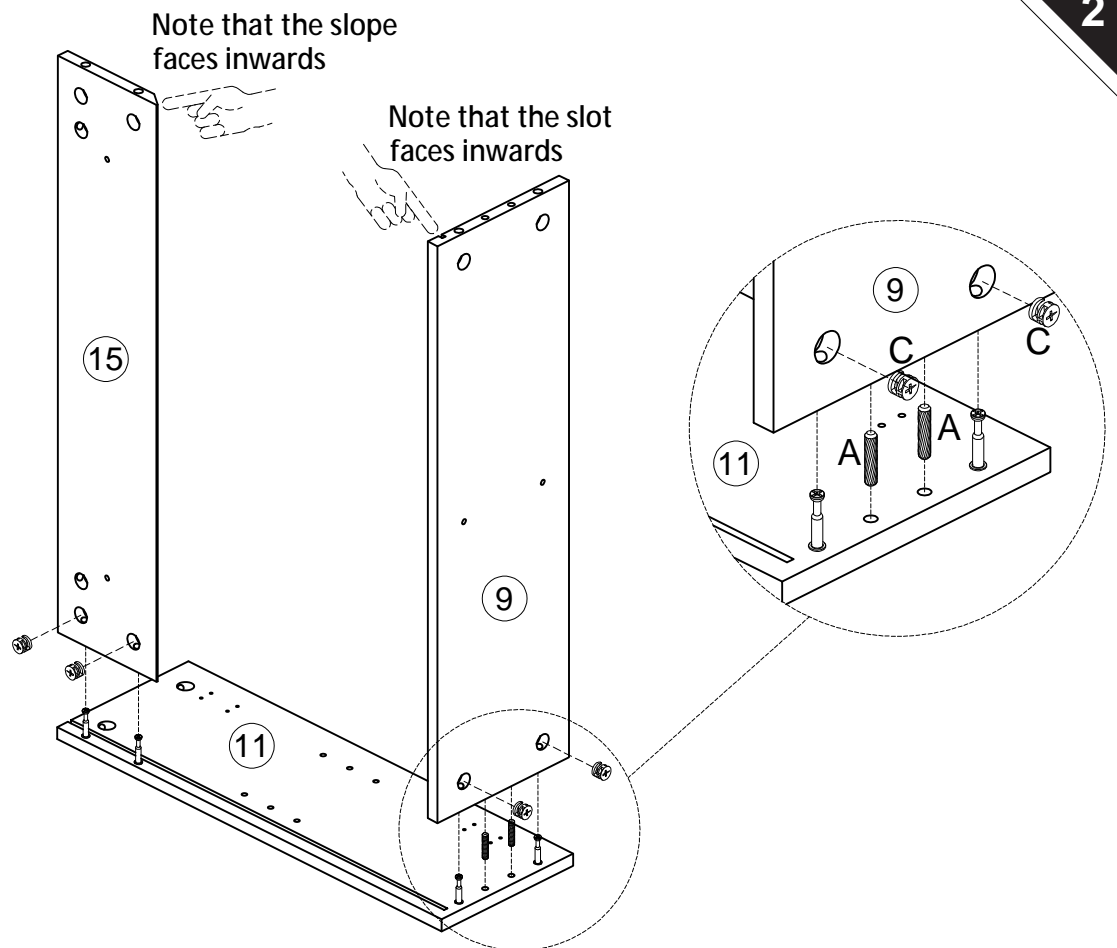
1



Bx8



2



Note that the slope faces inwards

Note that the slot faces inwards

Cx4



Ø15x10mm

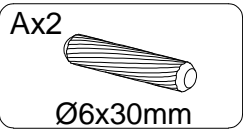
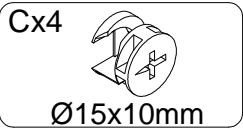
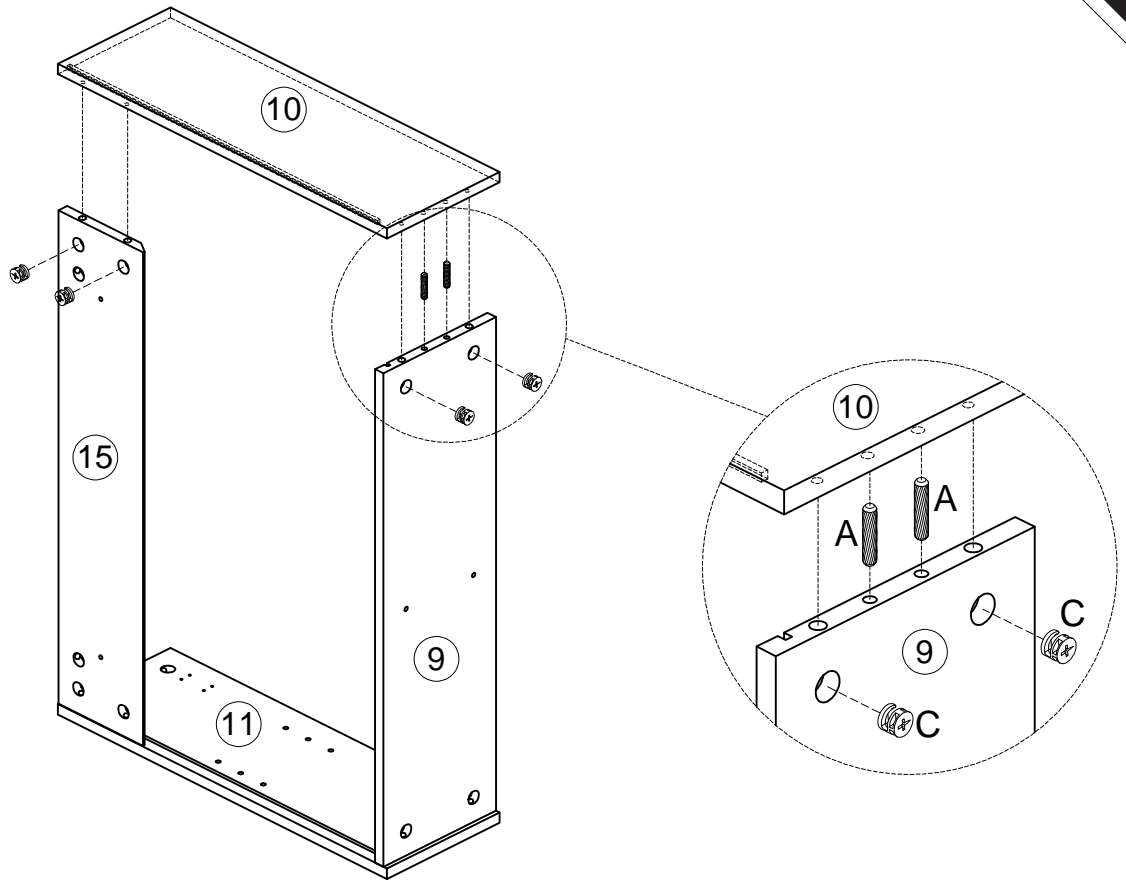
Ax2



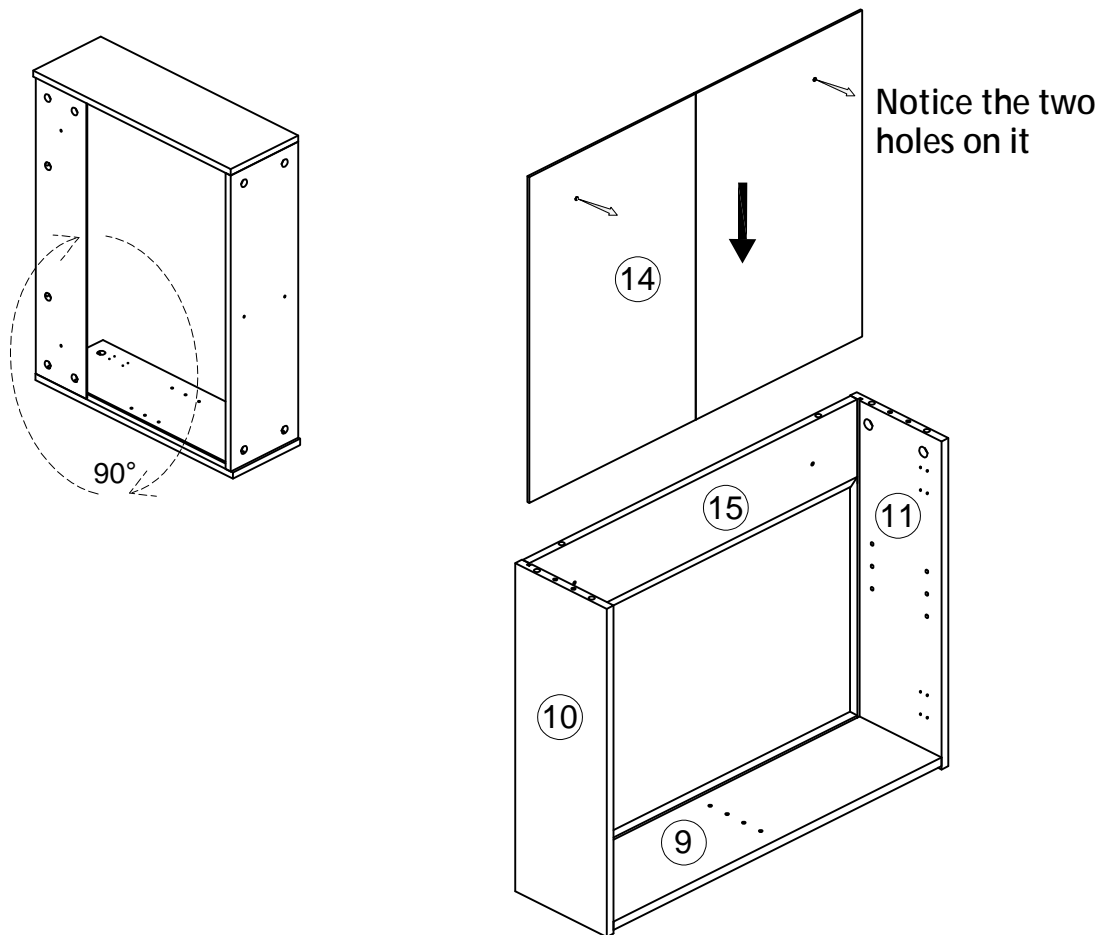
Ø6x30mm

INSTALLATION INSTRUCTION

3

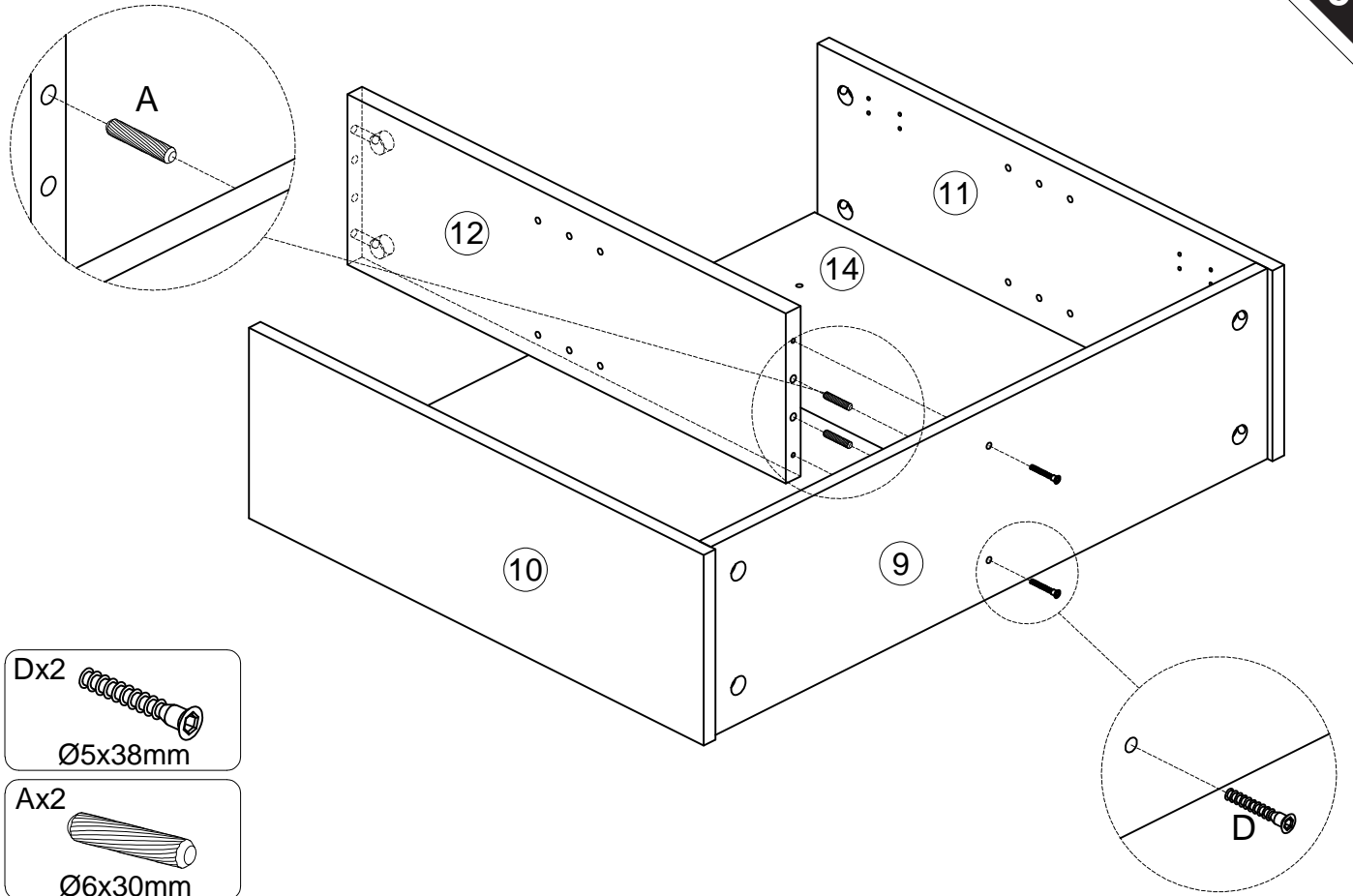


4

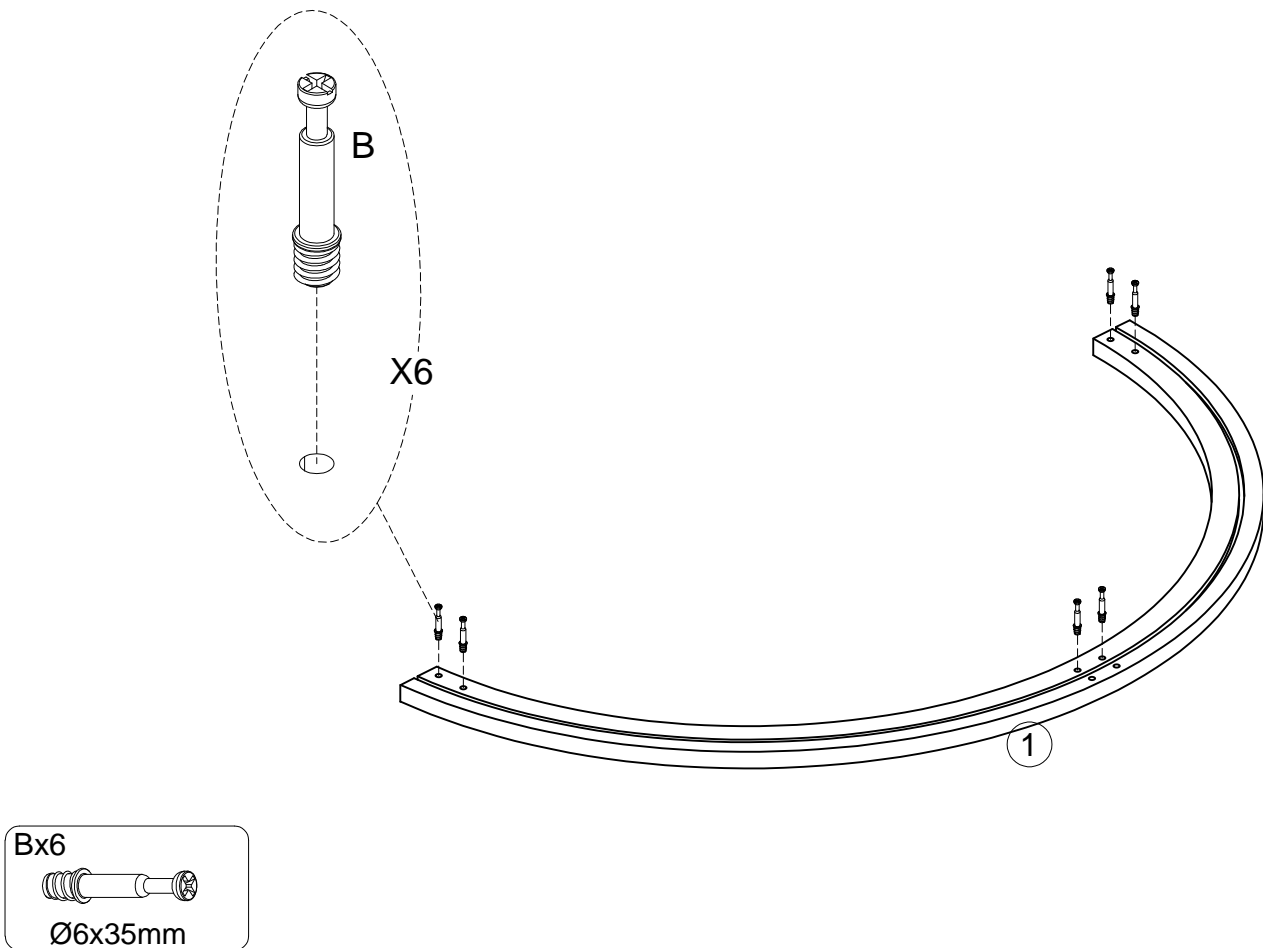


INSTALLATION INSTRUCTION

5

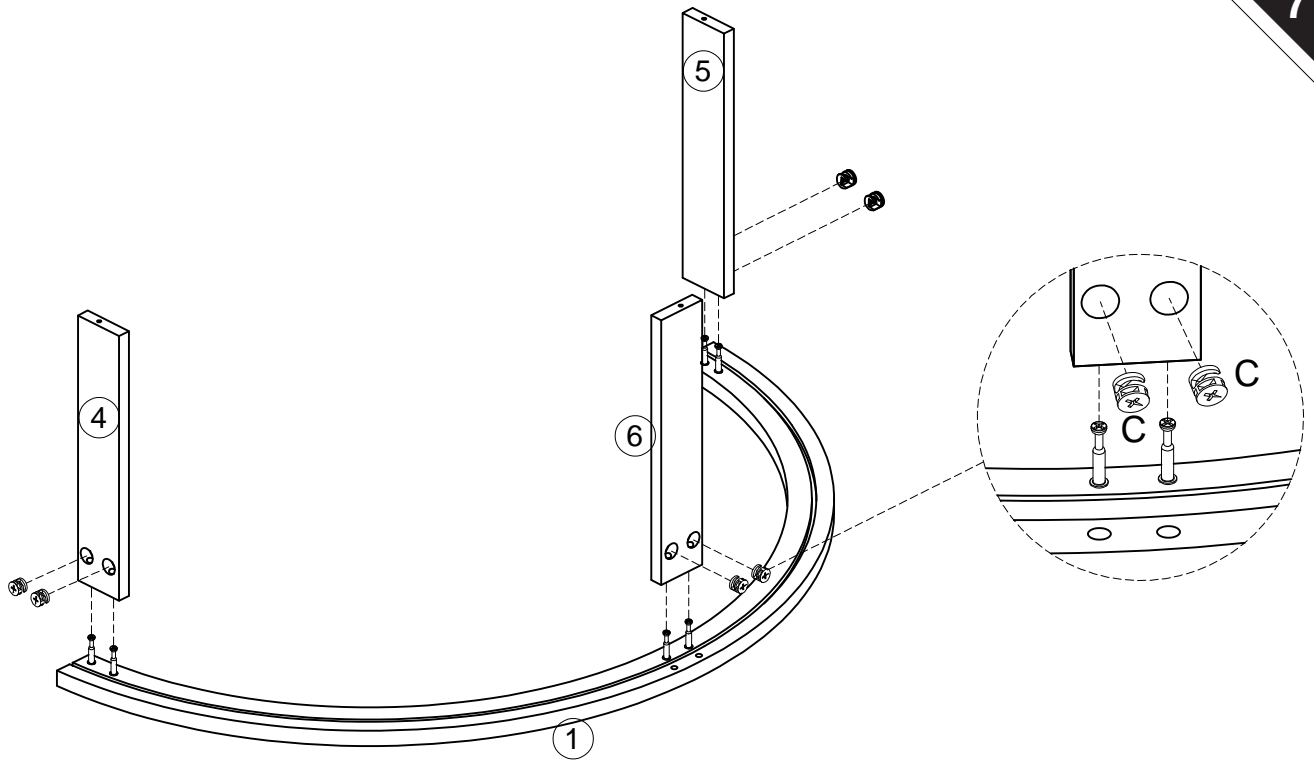


6



INSTALLATION INSTRUCTION

7

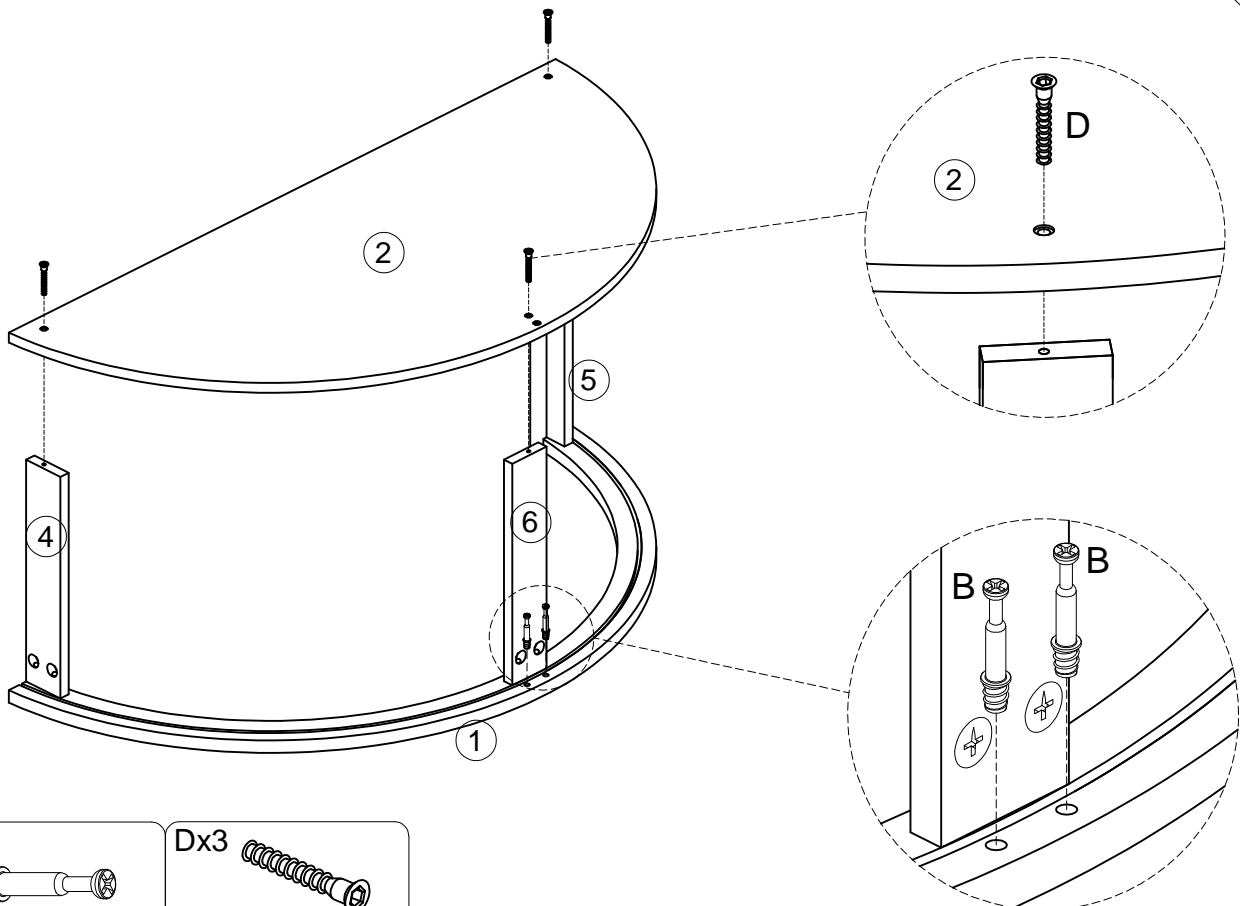


Cx6

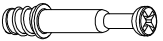


Ø15x10mm

8

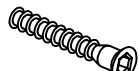


Bx2



Ø6x35mm

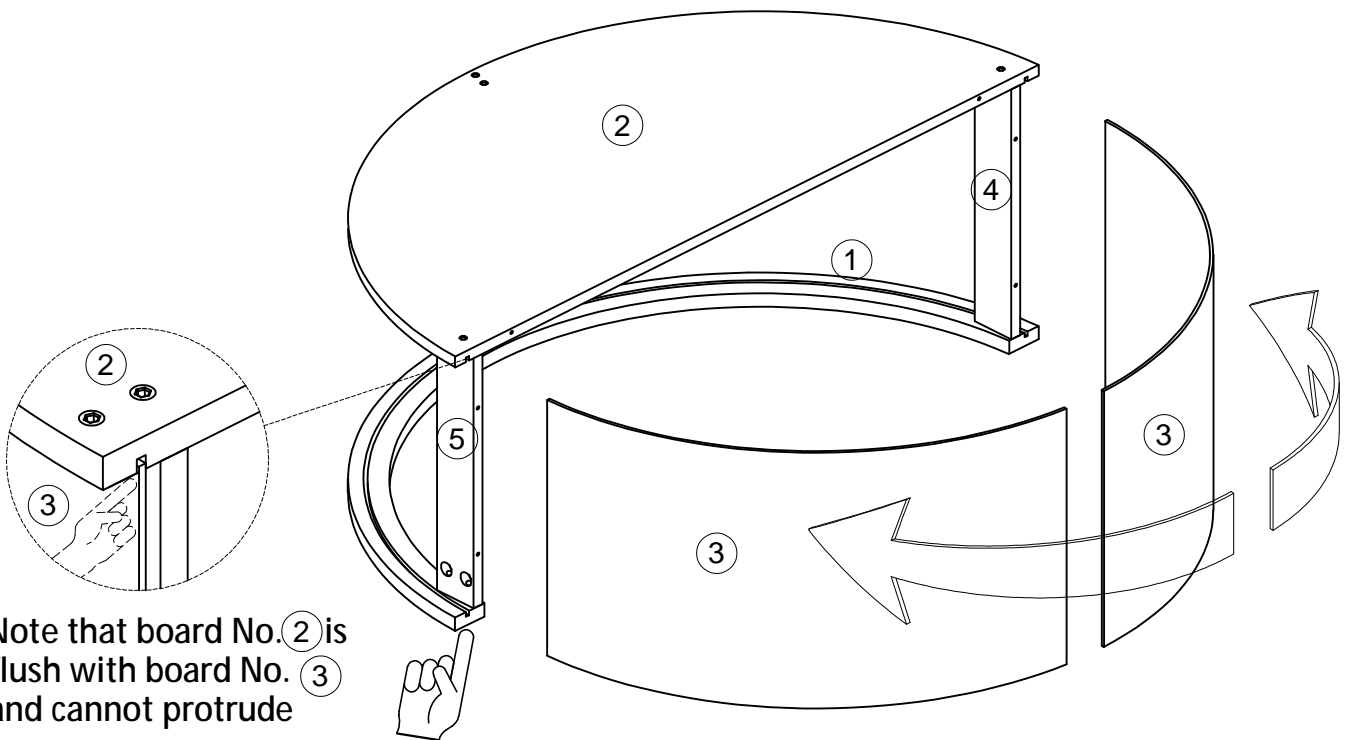
Dx3



Ø5x38mm

INSTALLATION INSTRUCTION

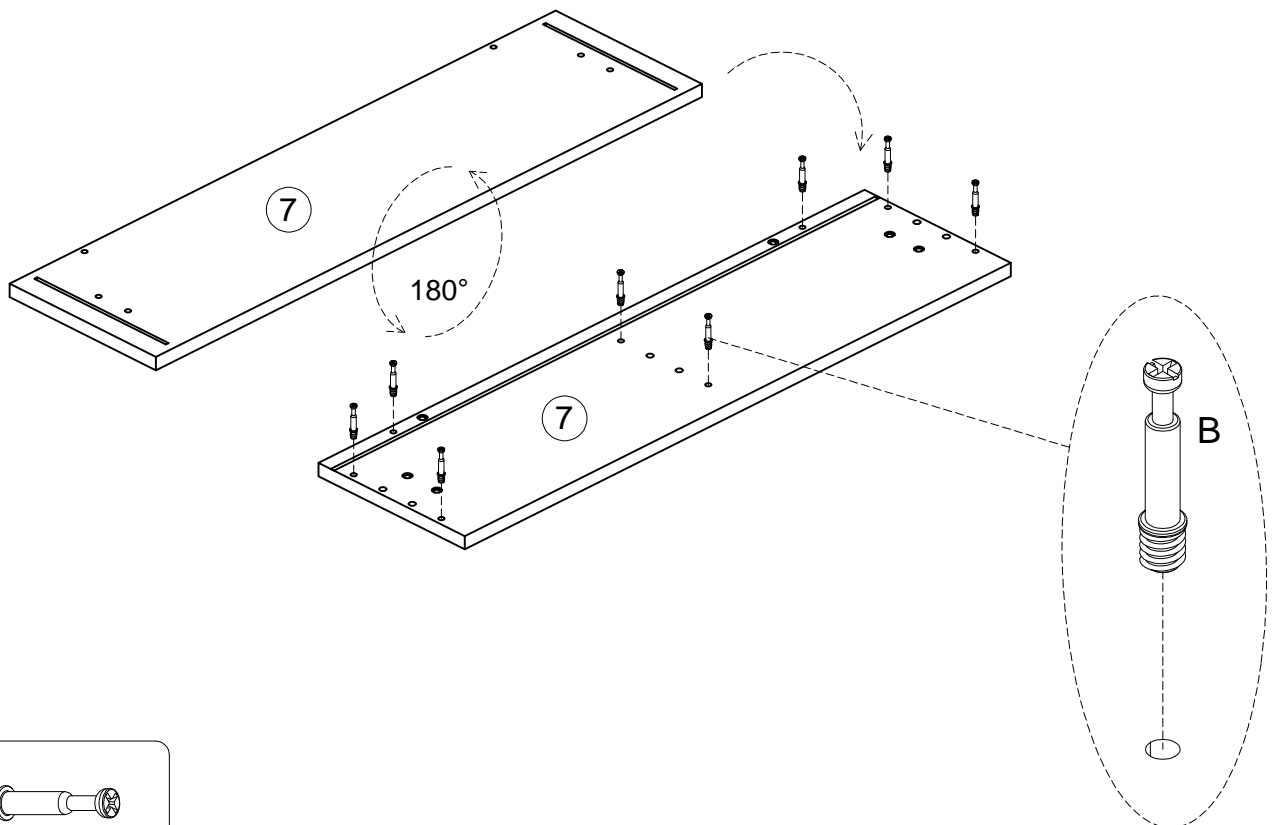
9



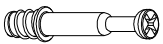
Note that board No. ② is flush with board No. ③ and cannot protrude

Plate No. ③ should be installed at the same time, can not tilt

10



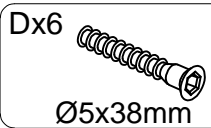
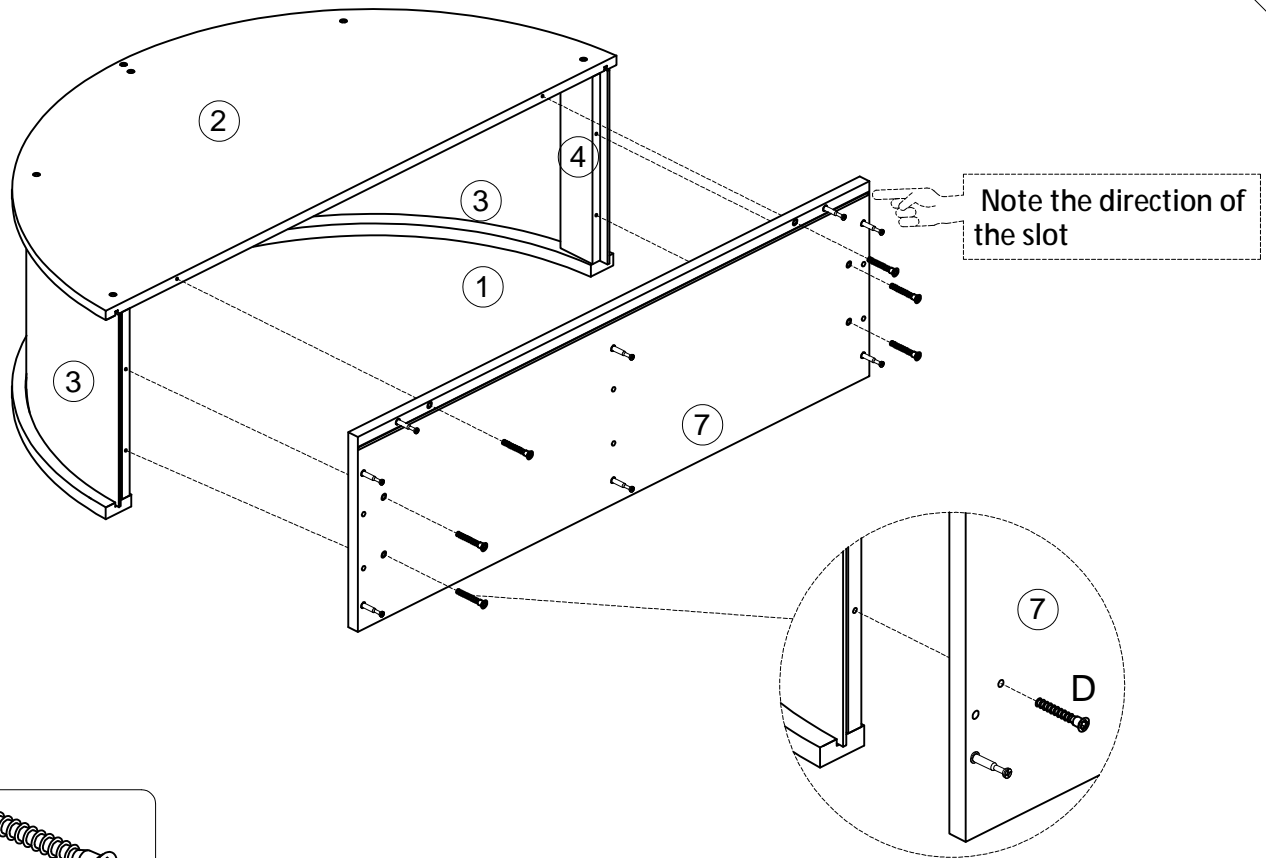
Bx8



Ø6x35mm

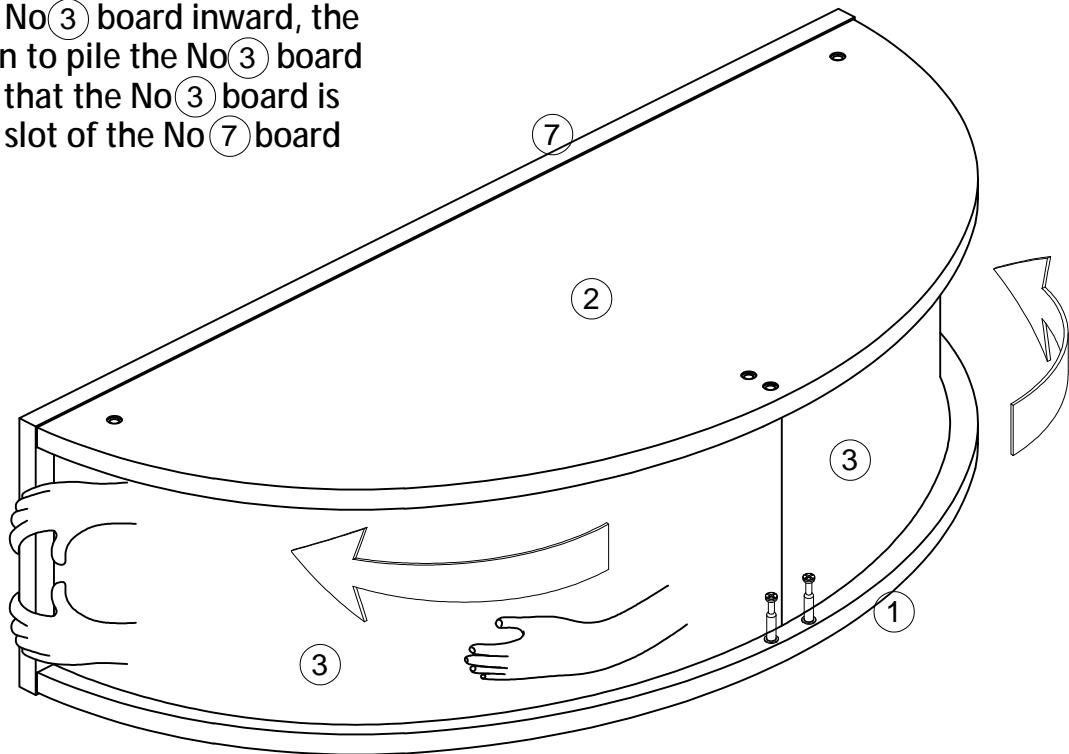
INSTALLATION INSTRUCTION

11



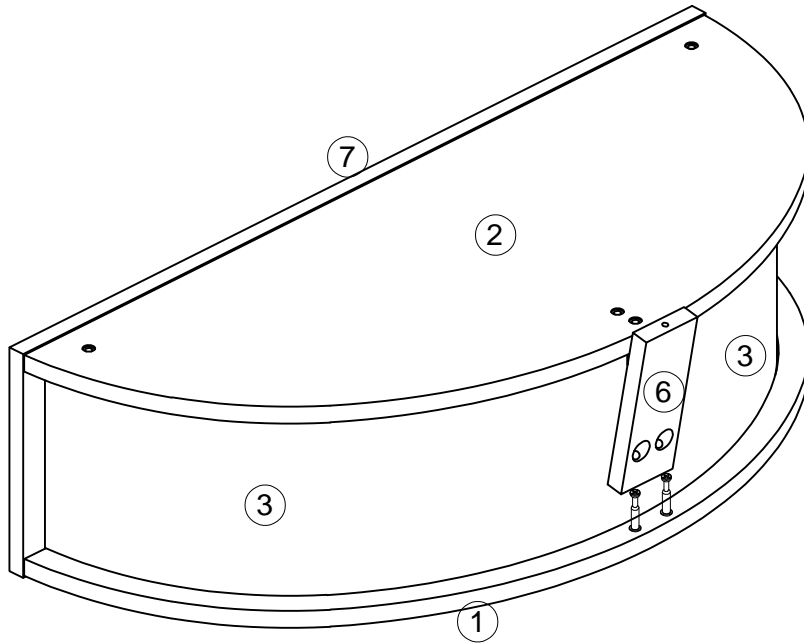
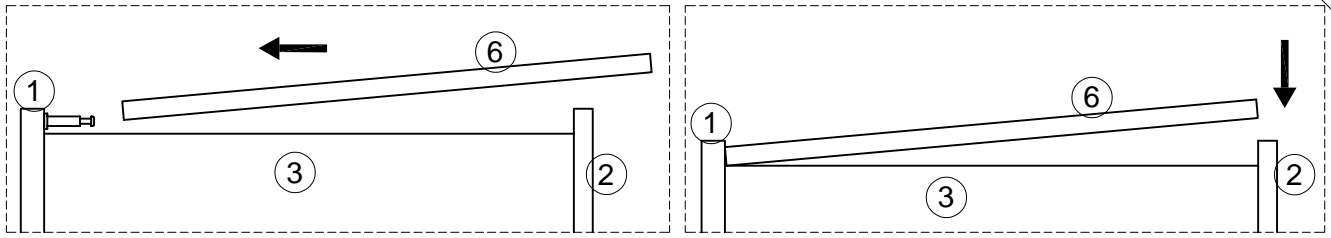
12

For this step, two people need to work together, one with both hands to push the No ③ board inward, the other person to pile the No ③ board forward, so that the No ③ board is stuck in the slot of the No ⑦ board

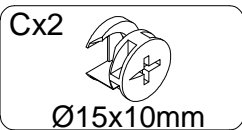
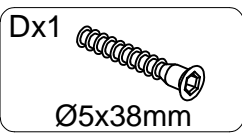
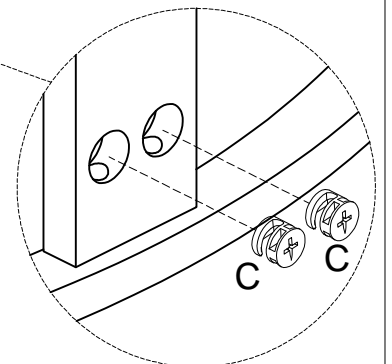
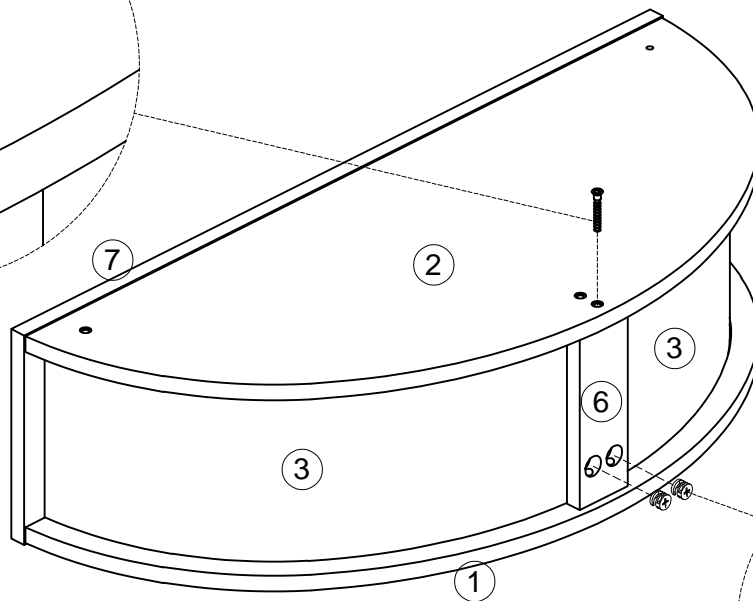
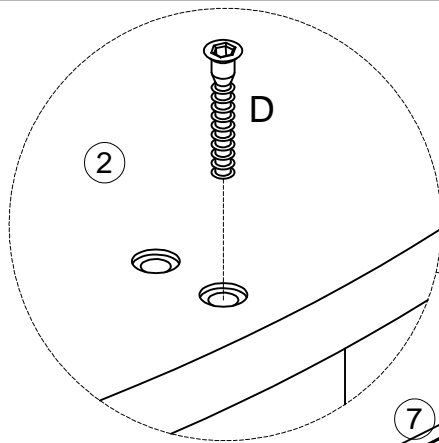


INSTALLATION INSTRUCTION

13

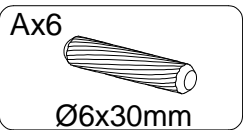
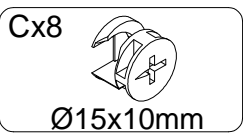
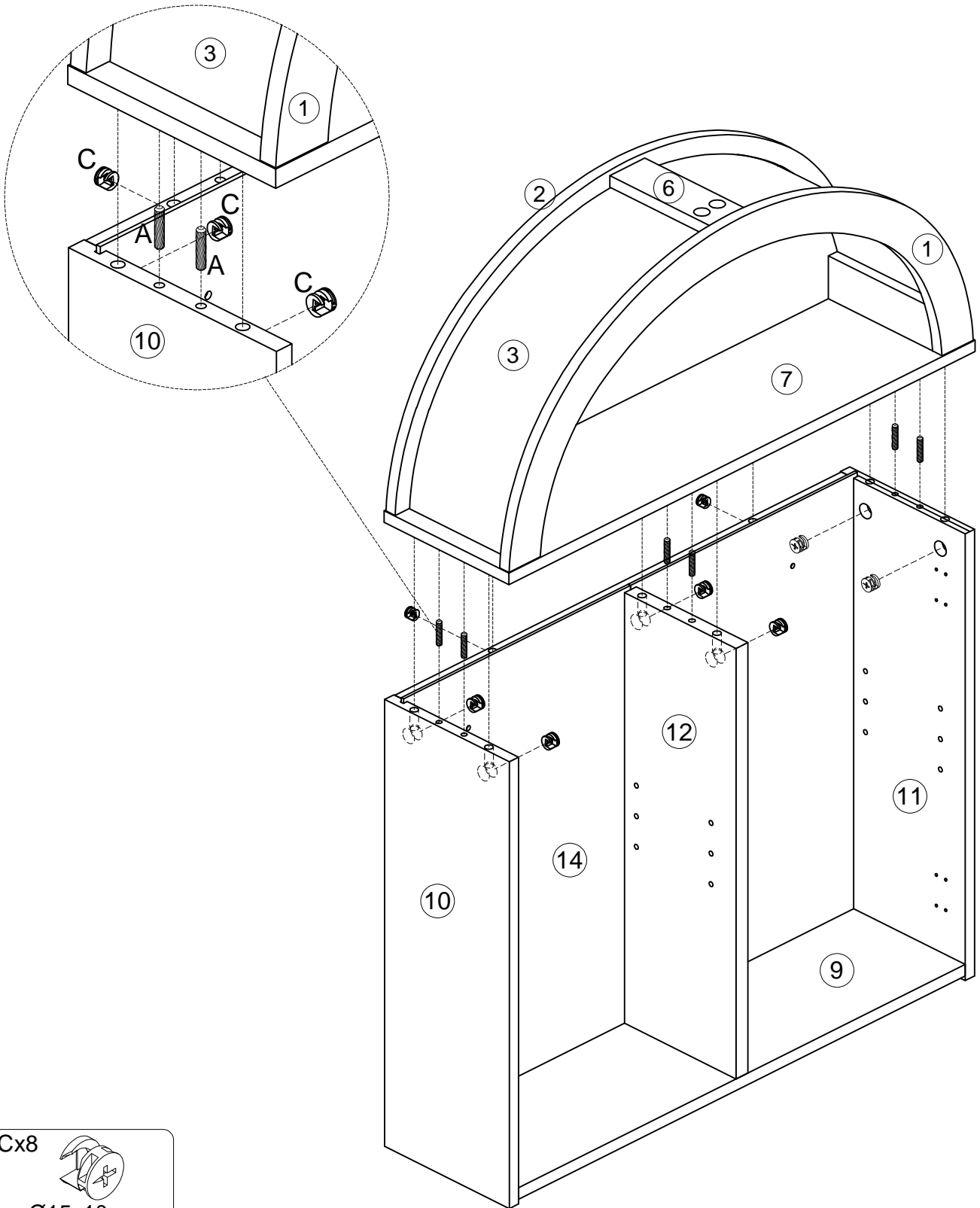


14



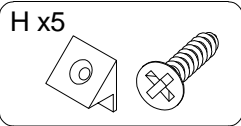
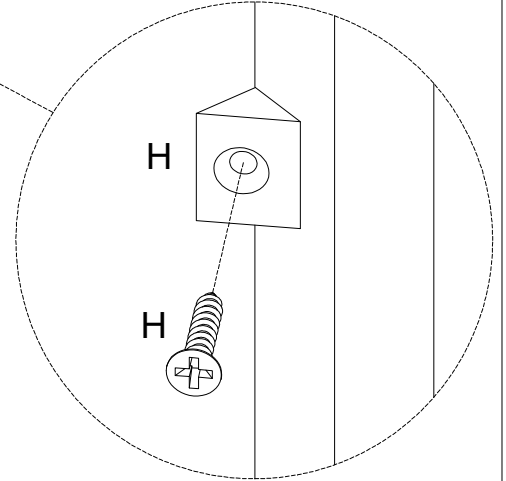
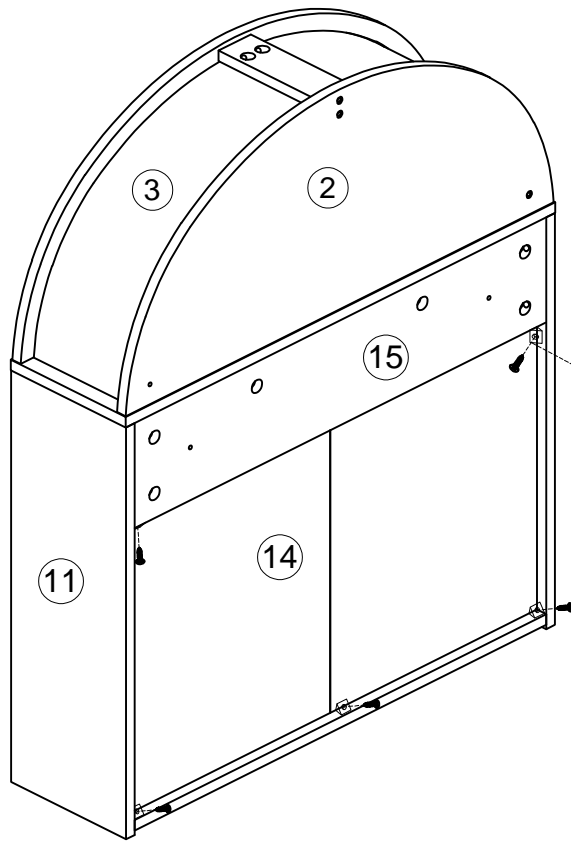
INSTALLATION INSTRUCTION

15



INSTALLATION INSTRUCTION

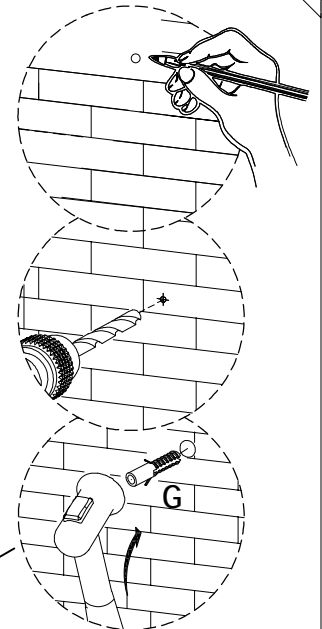
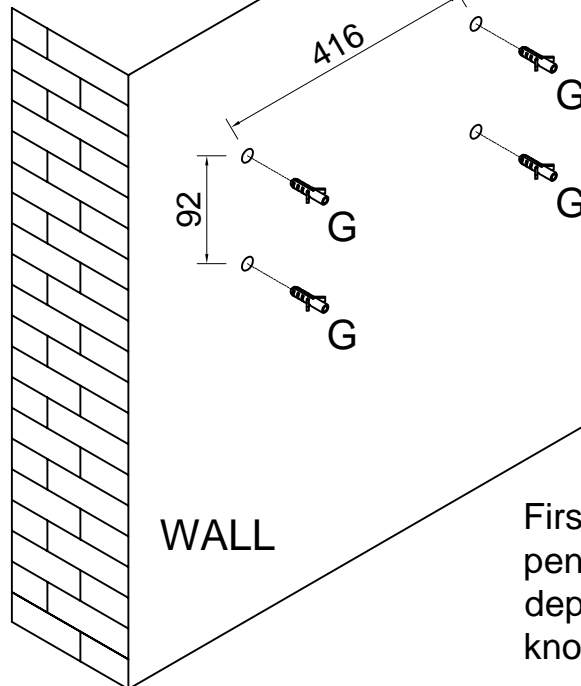
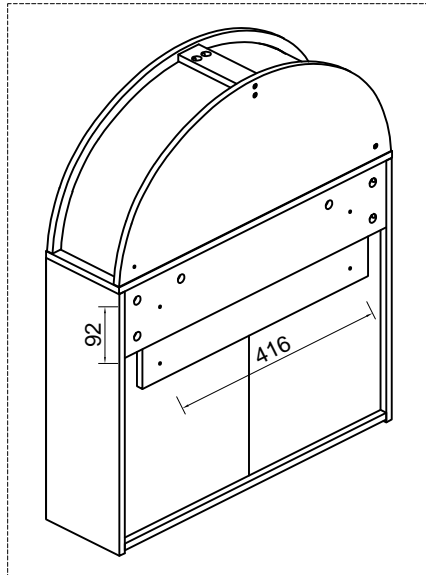
16



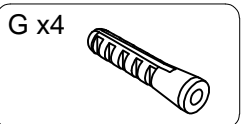
H x5

17

Note that the hole drilled in the wall should be the same distance from the hole in the cabinet



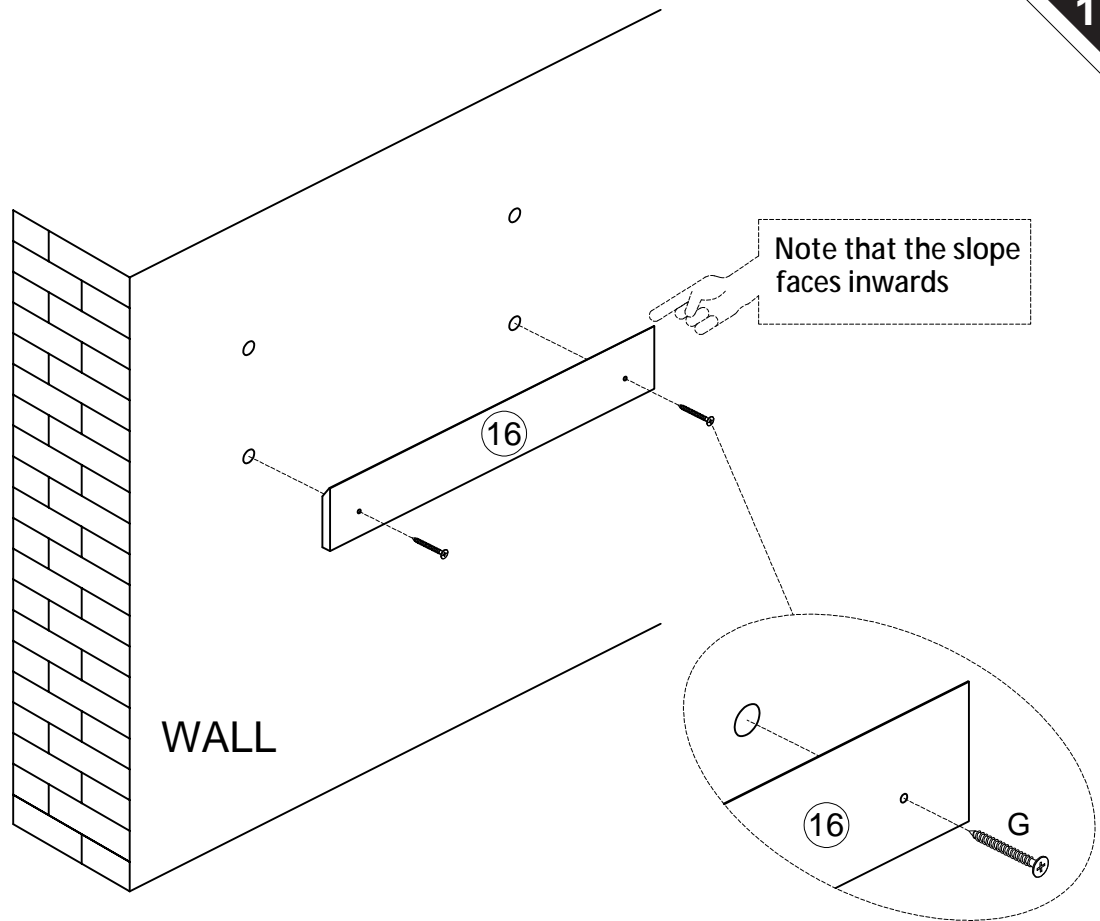
First mark the wall with a pencil, drill the hole to a depth of about 30mm, and knock in the accessory (G)



G x4

INSTALLATION INSTRUCTION

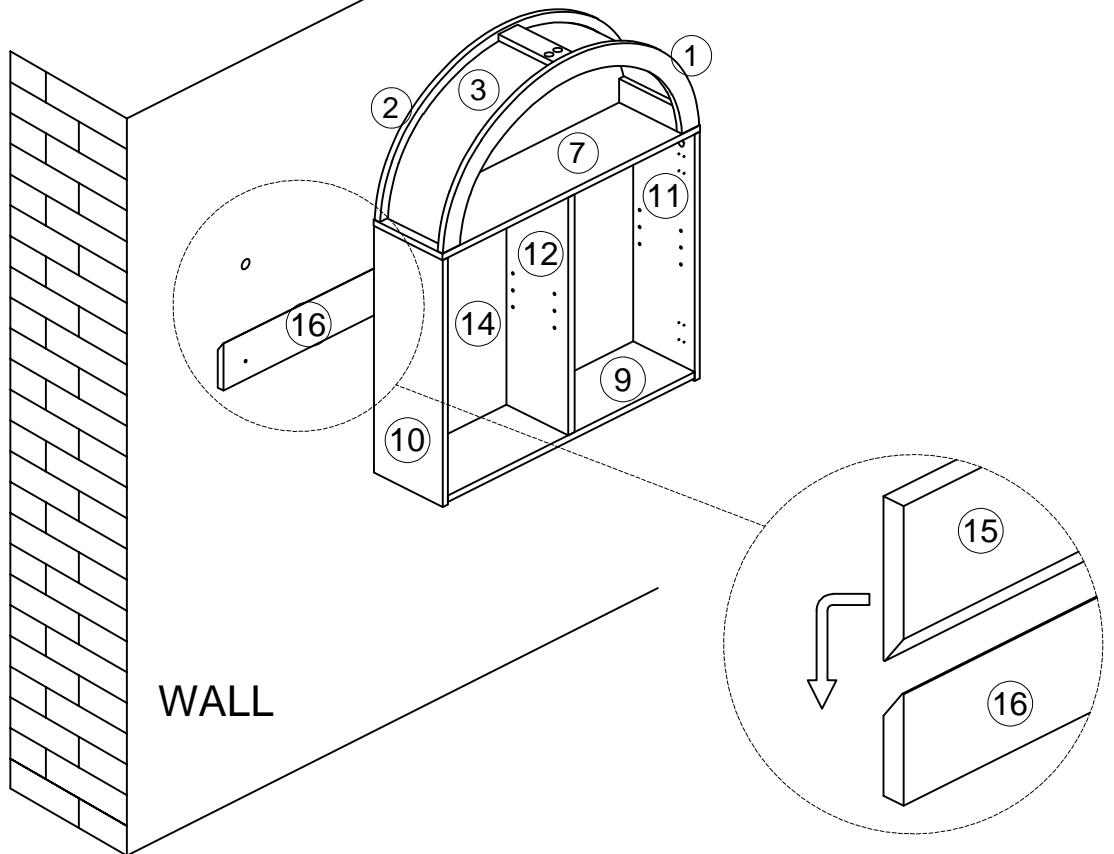
18



G x2

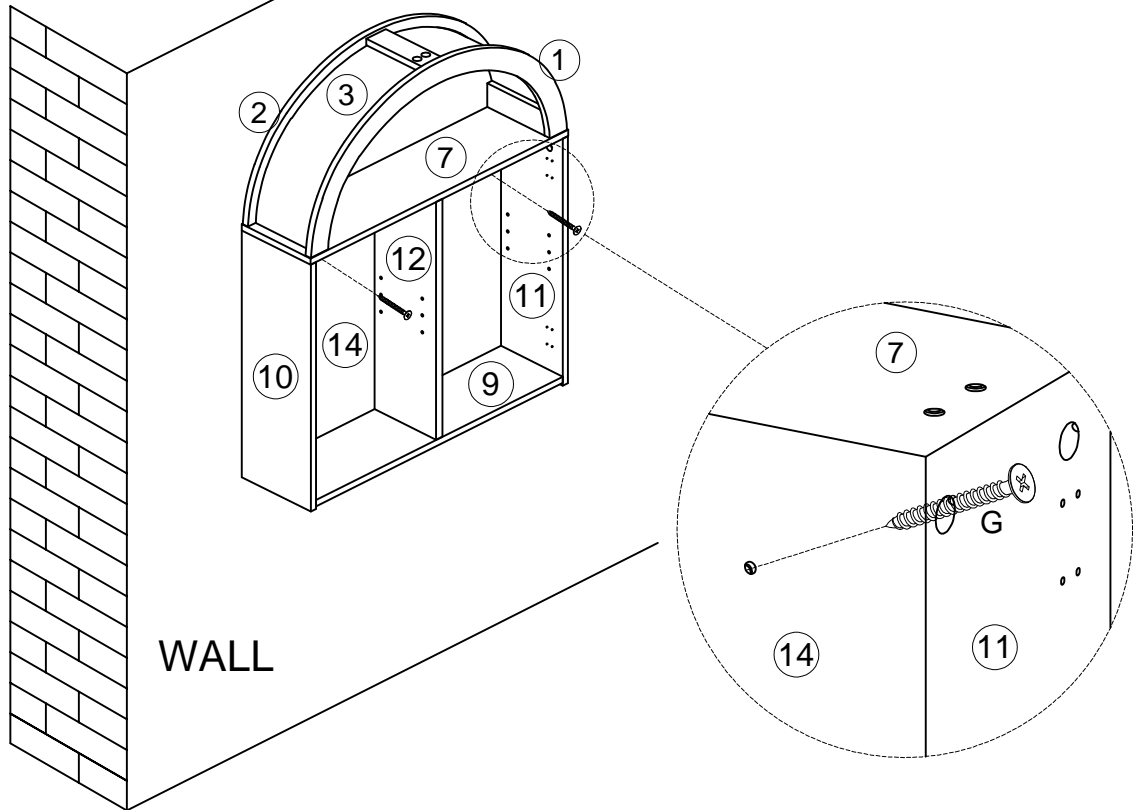


19



INSTALLATION INSTRUCTION

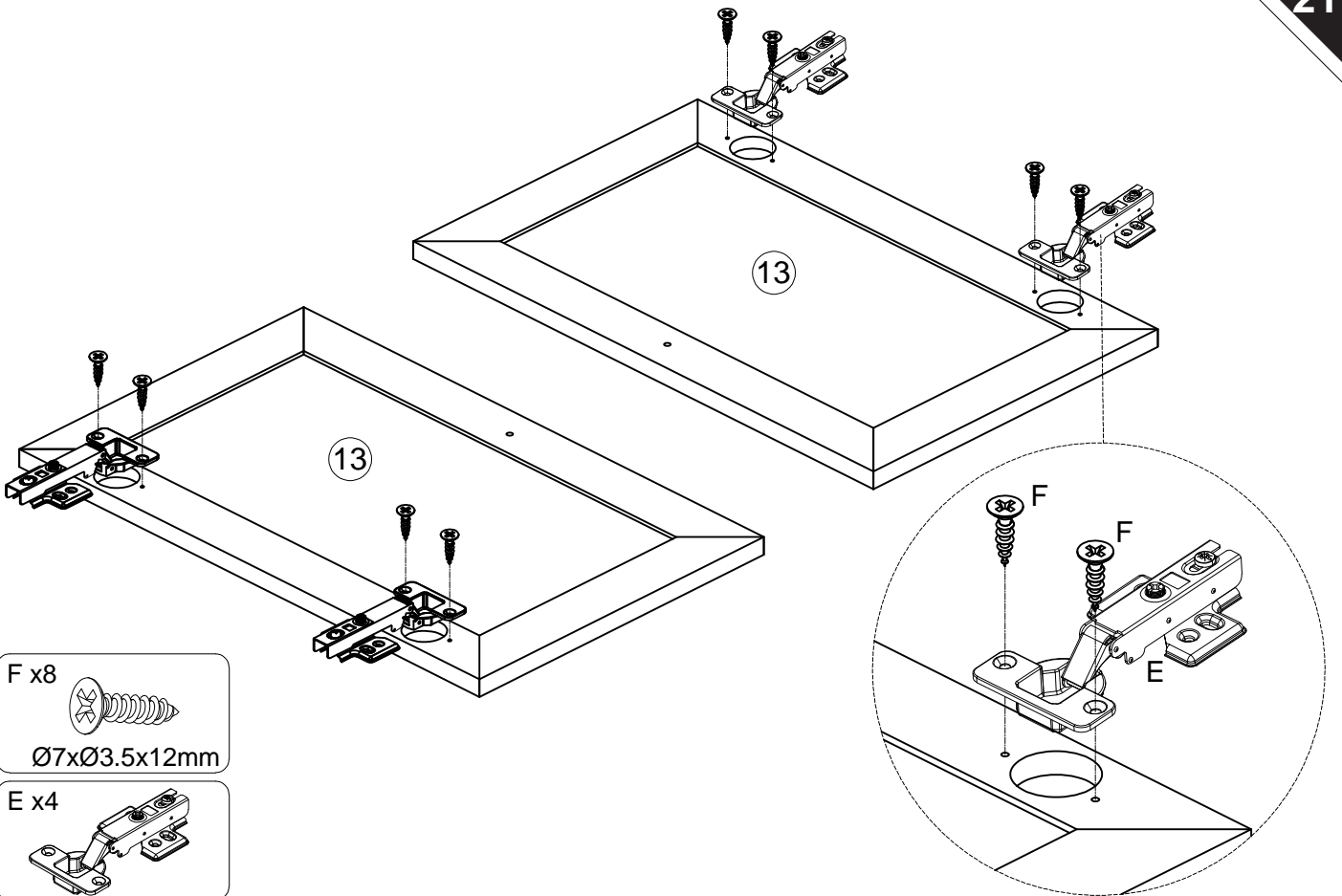
20



G x2



21

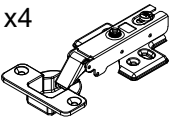


F x8



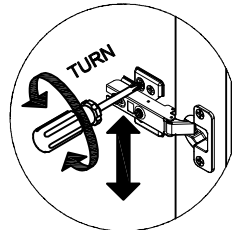
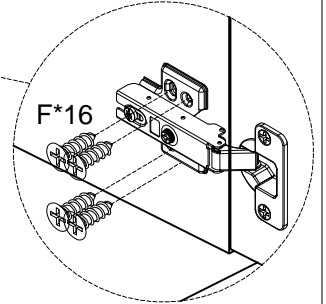
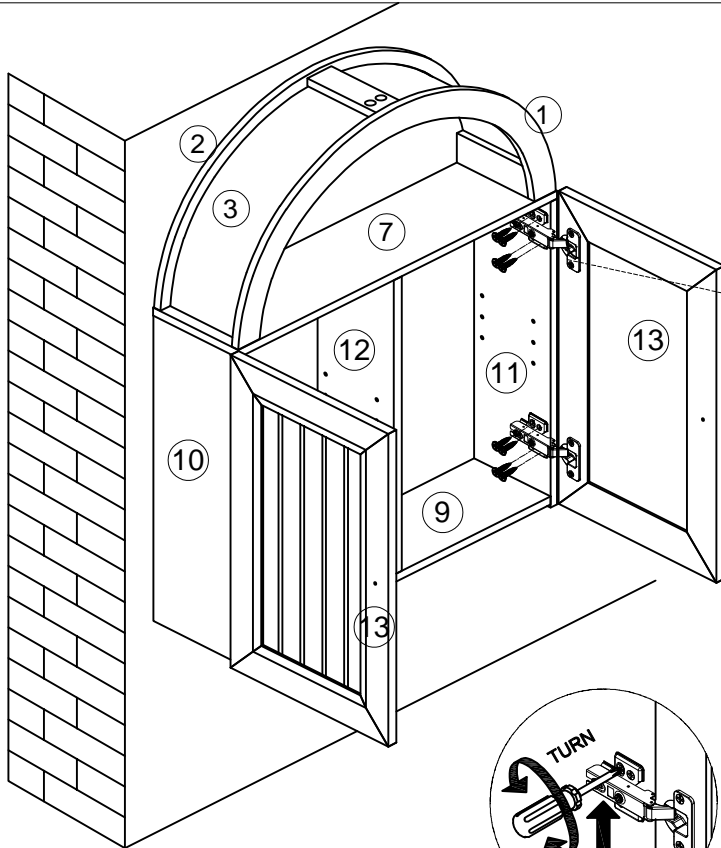
Ø7xØ3.5x12mm

E x4

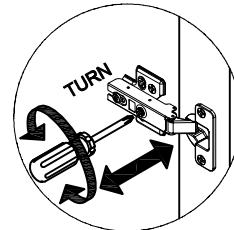


INSTALLATION INSTRUCTION

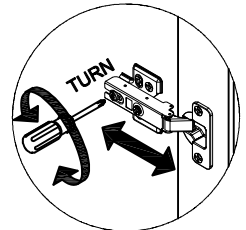
22



Loosen this screw and push up/down for a slight up-down adjustment of the door.

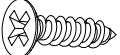


Loosen this screw for a slight left-right adjustment of the door.



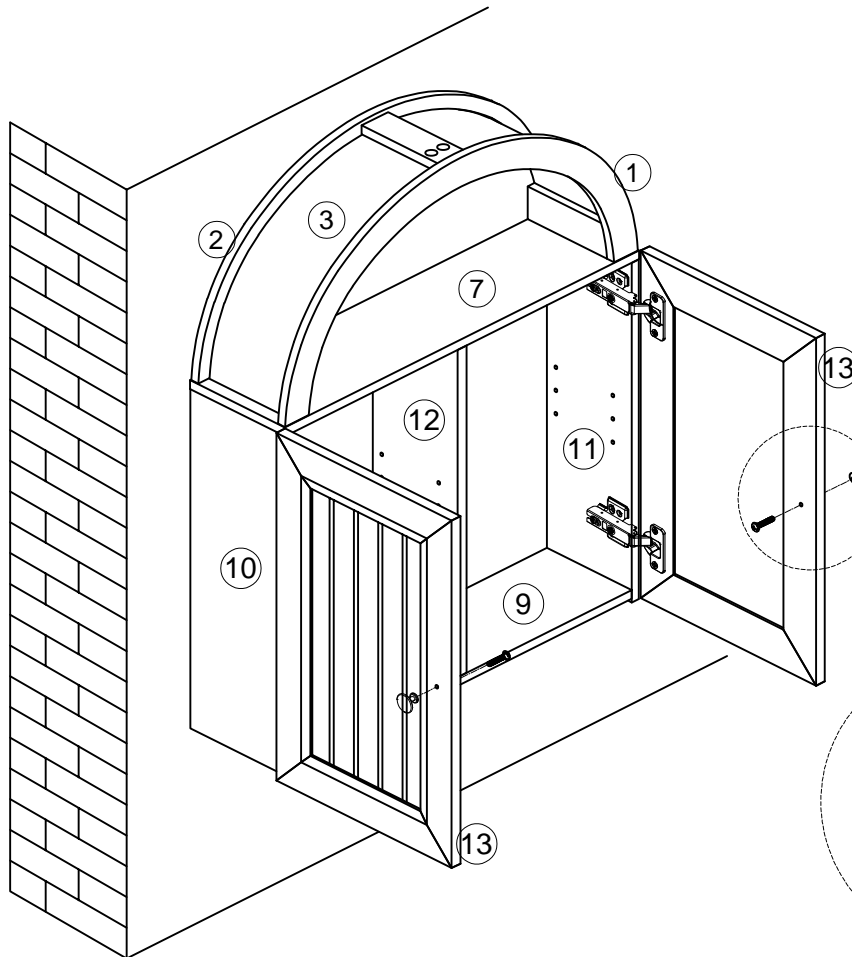
Loosen this screw and push forward/backward for a slight front-back adjustment of the door.

F x16



Ø7xØ3.5x12mm

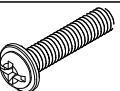
23



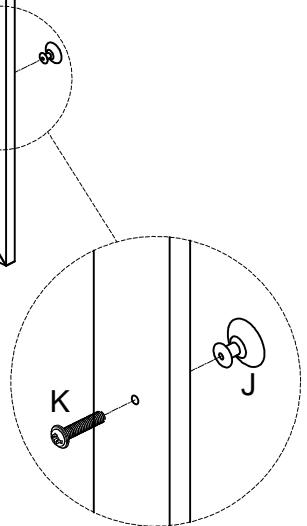
J x2



K x2

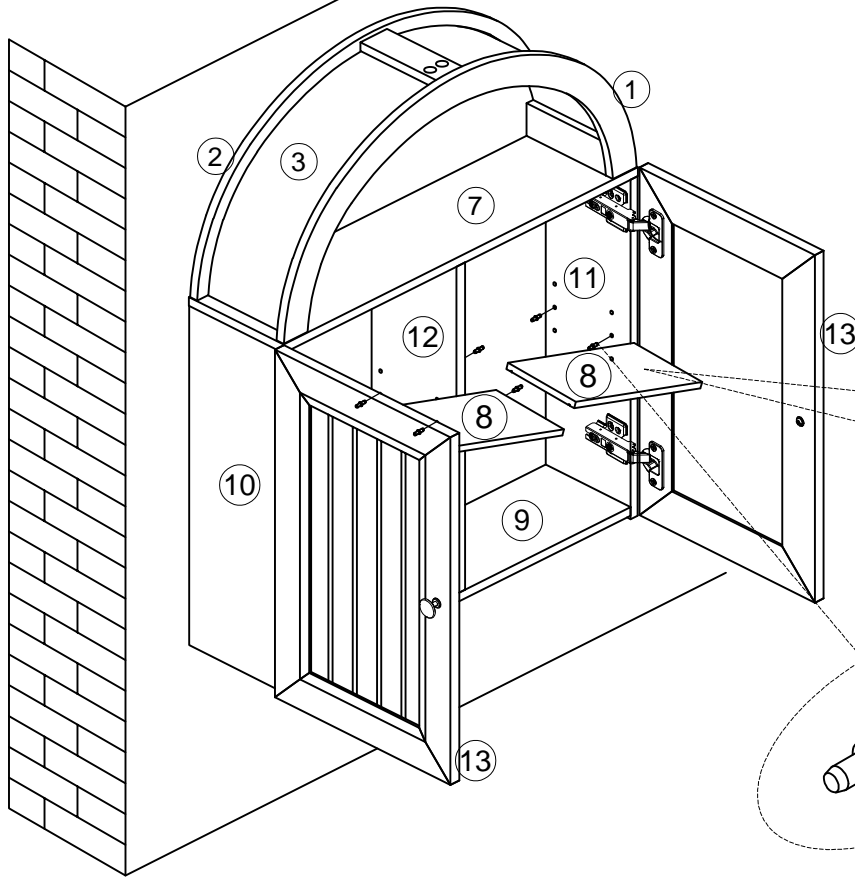


M4x20mm

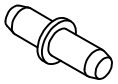


INSTALLATION INSTRUCTION

24

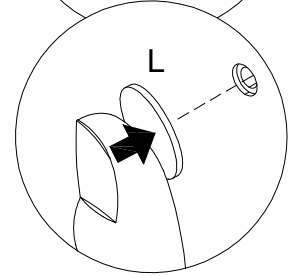
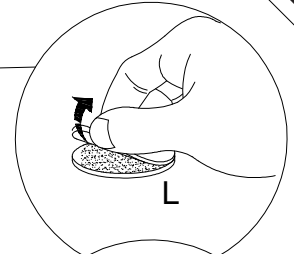
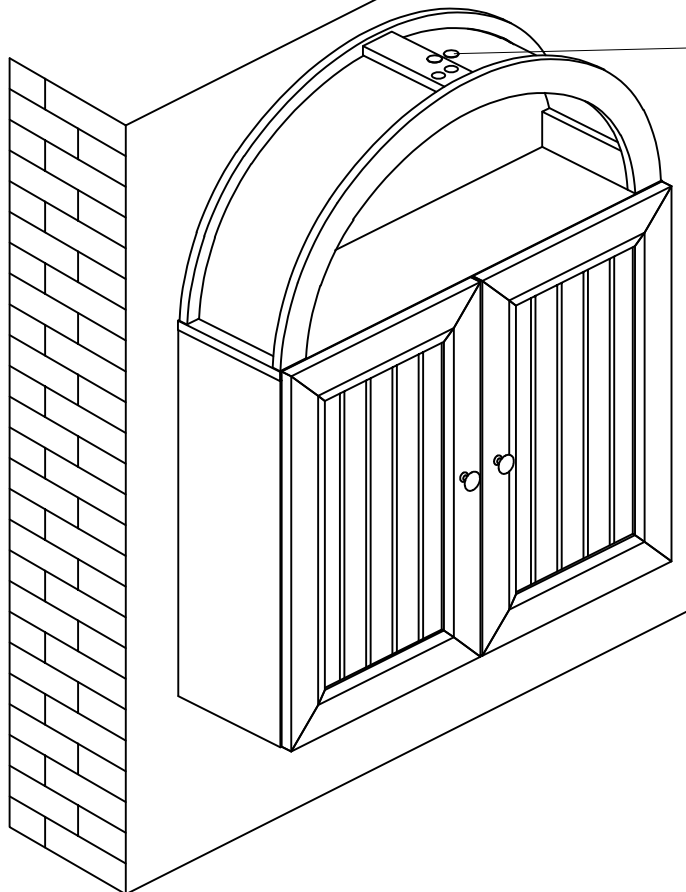


1 x 8



1 x 8

25



Cover the visible hole with a cap

Lx12



Ø20mm