

Owner Manual



20 : 00

estimated assembly
+ installation time



1 or more

people required

- For solid wood product : please refer to the pages from 4-11
- For oak veneer product : please refer to the pages from 12-17

Ok, let's
get started!



- Put on mood music!
- To prevent damage to product, use the clean side of package carton or rug as working surface.
- In the event of missing or damaged parts, delivery problems etc., please reach out to our team.
We will be happy to fix the problem!

care guide

- Clean regularly with a soft and dry cloth.
- To protect finish, avoid use of abrasive cleaners.
- Wipe up spills immediately. Please!



product parts



A
Shelf Legs
x1



B
Shelf Legs
x1



C
Shelf Legs
x1



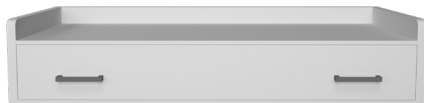
D
Shelf Legs
x1



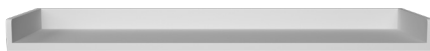
E
Support Rods
x1



F
Support Rods
x1



G
Drawer
x1



H
Medium Shelf
x1



I
Small Shelf
x1

■ For solid wood product : please refer to the pages from 4-11

what's included



(J) - Flat Washer
($\text{\O}20\text{mm} \times \text{\O}8\text{mm}$)
x14



(O) - Allen Key
($\text{\O}4\text{mm} \times \text{\O}110\text{mm}$)
x1



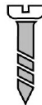
(K) - Lock Washer
($\text{\O}15\text{mm} \times \text{\O}8\text{mm}$)
x14



(P) - Wall Plug
x6



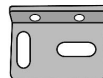
(L) - Bolt
(M6 x 20mm)
x14



(Q) - Screw
(M4 x 40mm)
x6



(M) - Bolt
(M6 x 40mm)
x4



(R) - Metal Brackets
x2



(N) - Bolt
(M6 x 10mm)
x4



(S) - Screw
(M4 x 12mm)
x4

assembly instructions

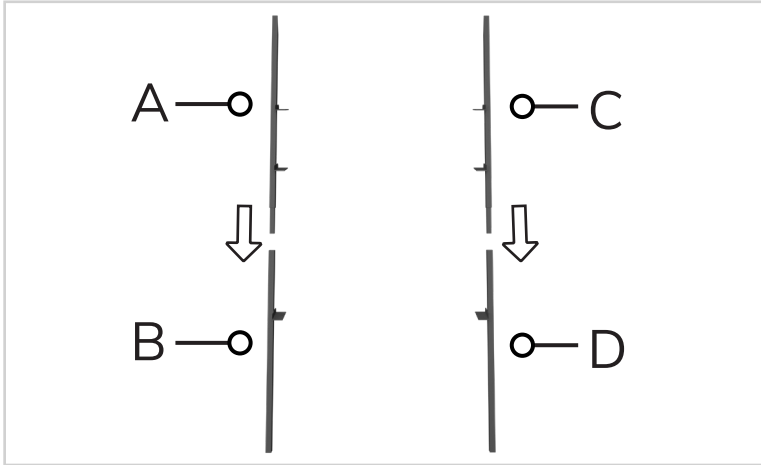
Friendly Tip: Take a deep breath going in. This may be a tricky part, but nothing too overwhelming. Just follow these steps to the T and the outcome will be worth it!



- ⓘ While assembling the product, tighten the bolts up to 50%. Once all parts are in place, only then fully tighten the bolts.

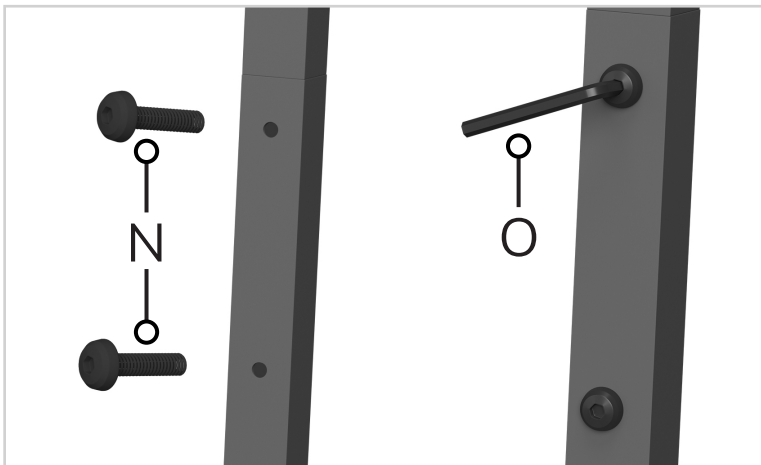
step 1:

Start by attaching support rods together (A to B and C to D).



step 2:

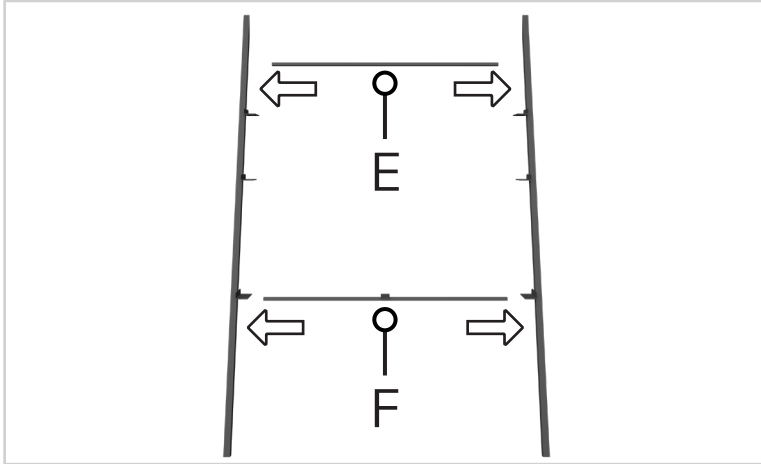
To hold them in place, insert bolts (N) in the given holes. Tighten all points using allen key (O).



■ For solid wood product : please refer to the pages from 4-11

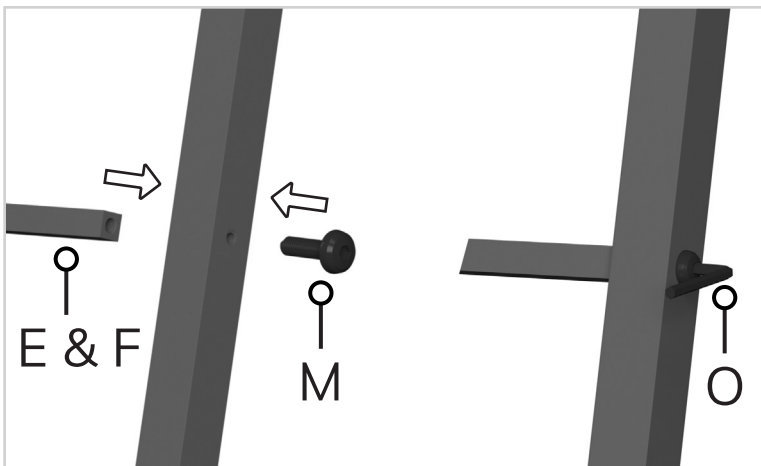
step 3:

Now, place the top and bottom rods (E and F) in their respective slots as highlighted below.



step 4:

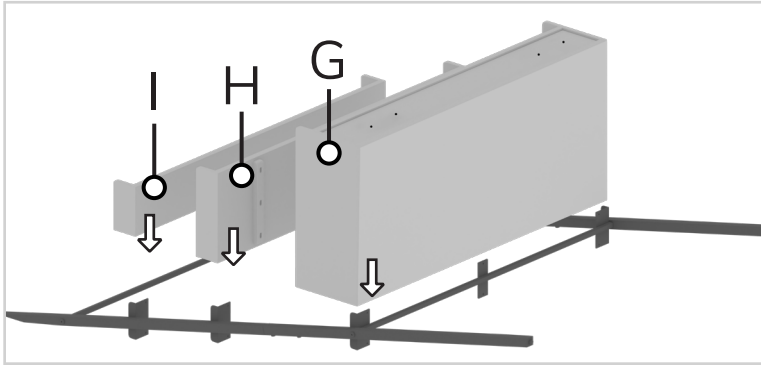
To fix rods (E and F) to the support rods (AB), (CD), insert bolts (M) in the given holes and tighten them using allen key (O).



■ For solid wood product : please refer to the pages from 4-11

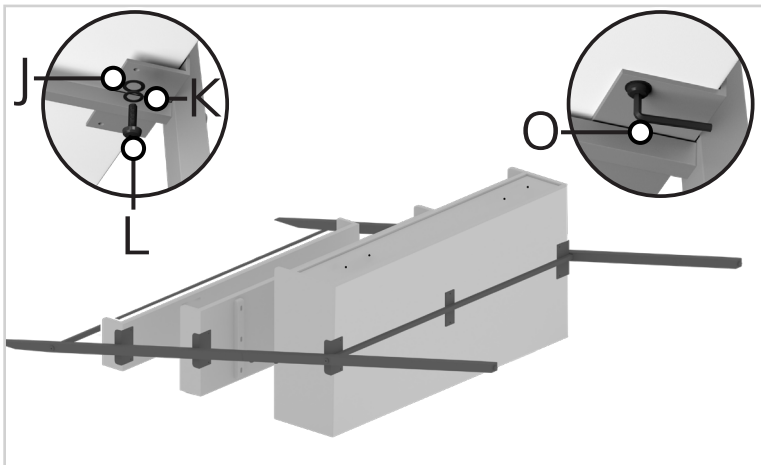
step 5:

Next, place the assembled metal frame, small (I) and medium (H) shelves, and drawer (G) on a flat surfaced carpet or cardboard before starting assembly. Align (I), (H) and (G) with their respective slots on the support legs (AB), (CD) so that they are facing up. This allows the shelves and drawer to assemble on an even plane so that the backs flush against the wall during installation.



step 6:

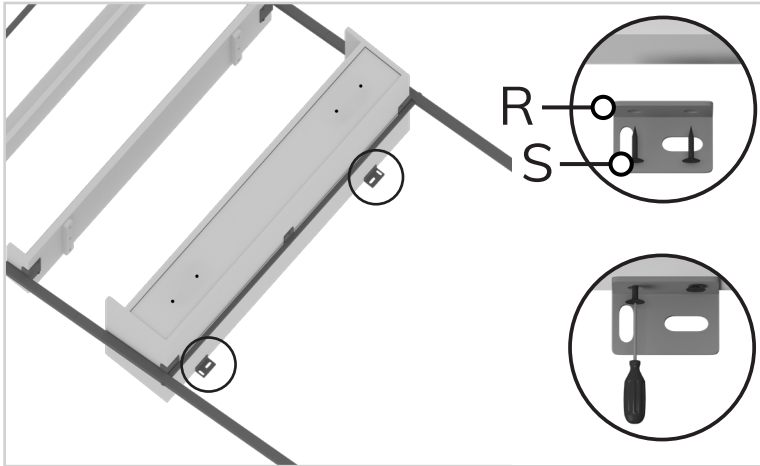
Once aligned, attach the shelves (I) and (H) and the drawer (G) in place using flat washers (J), lock washers (K) and bolts (L). Tighten all points up to 50% using allen key (O). Do not tighten the bolts all the way.



■ For solid wood product : please refer to the pages from 4-11

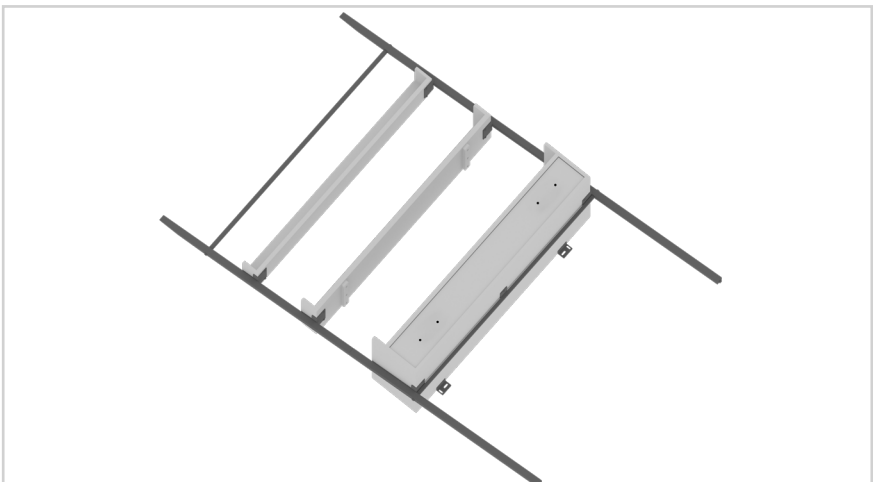
step 7:

Attach the metal brackets (R) into the pre-drilled holes under the drawer (G) using screws (S). Once you ensure both shelves and the drawer are on an even surface, fully tighten the bolts



step 8:

And your desk is ready for installation.



■ For solid wood product : please refer to the pages from 4-11



product parts



A
Shelf Legs
x1



B
Shelf Legs
x1



C
Shelf Legs
x1



D
Shelf Legs
x1



E
Support Rods
x1



F
Support Rods
x1



G
Drawer
x1



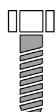
H
Medium Shelf
x1



I
Small Shelf
x1

■ For oak veneer product : please refer to the pages from 12-17

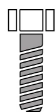
what's included



(J) - Bolt
(M6 x 12mm)
x12



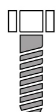
(N)- Wall Plug
x6



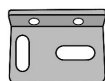
(K) - Bolt
(M6 x 40mm)
x4



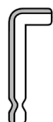
(O)-Screw
(M4 x 40mm)
x6



(L) - Bolt
(M6 x 10mm)
x4



(P)- Metal Brackets
x2



(M)- Allen Key
(Ø4mm x Ø110mm)
x1



(Q)- Screw
(M4 x 12mm)
x4

■ For oak veneer product : please refer to the pages from 12-18

assembly instructions

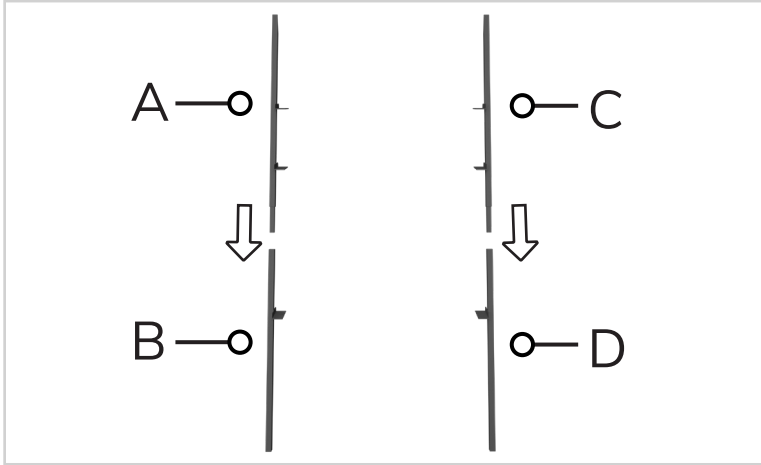
Friendly Tip: Take a deep breath going in. This may be a tricky part, but nothing too overwhelming. Just follow these steps to the T and the outcome will be worth it!



- ⓘ While assembling the product, tighten the bolts up to 50%. Once all parts are in place, only then fully tighten the bolts.

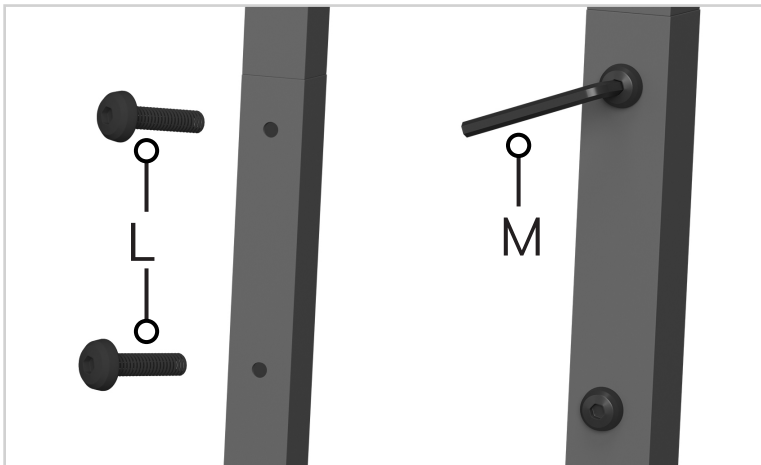
step 1:

Start by attaching support rods together (A to B and C to D).



step 2:

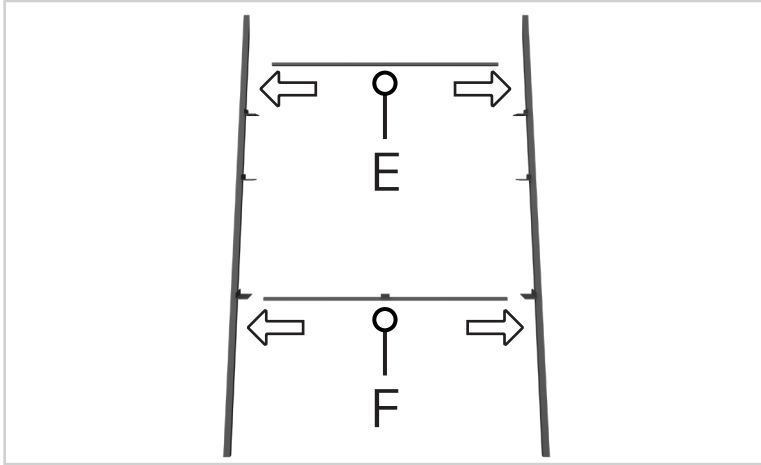
To hold them in place, insert bolts (L) in the given holes. Tighten all points using allen key (M).



■ For oak veneer product : please refer to the pages from 12-18

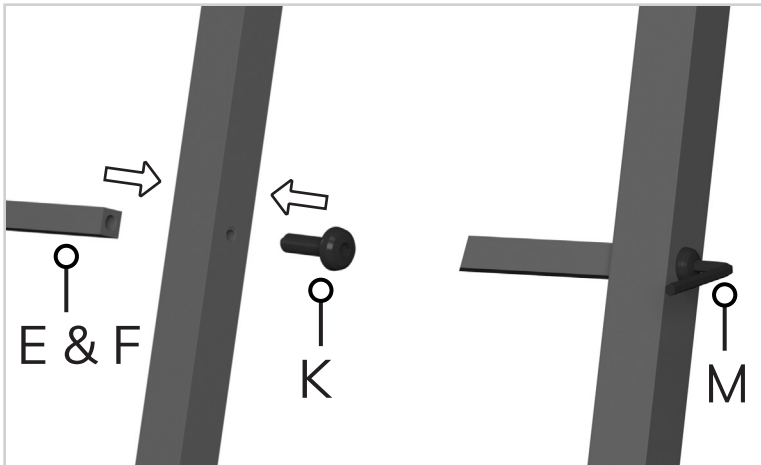
step 3:

Now, place the top and bottom rods (E and F) in their respective slots as highlighted below.



step 4:

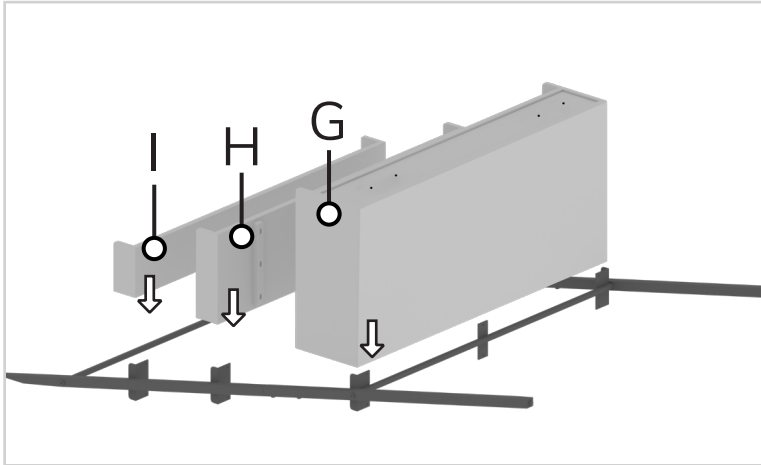
To fix rods (E and F) to the support rods (AB), (CD), insert bolts (K) in the given holes and tighten them using allen key (M).



■ For oak veneer product : please refer to the pages from 12-18

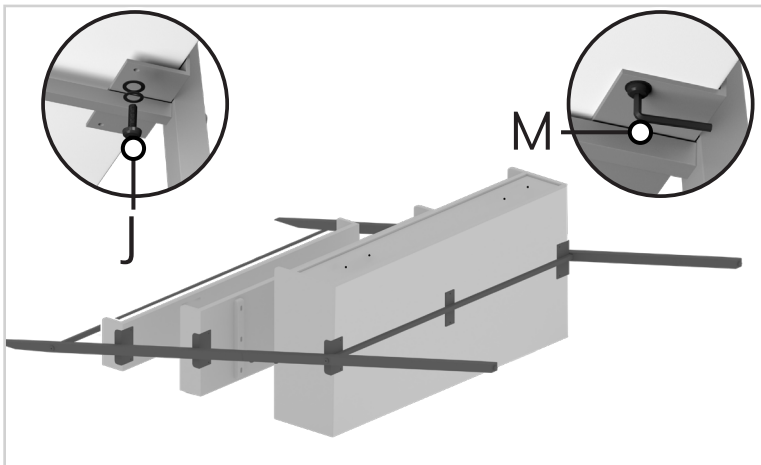
step 5:

Next, place the assembled metal frame, small (I) and medium (H) shelves, and drawer (G) on a flat surfaced carpet or cardboard before starting assembly. Align (I), (H) and (G) with their respective slots on the support legs (AB), (CD) so that they are facing up. This allows the shelves and drawer to assemble on an even plane so that the backs flush against the wall during installation.



step 6:

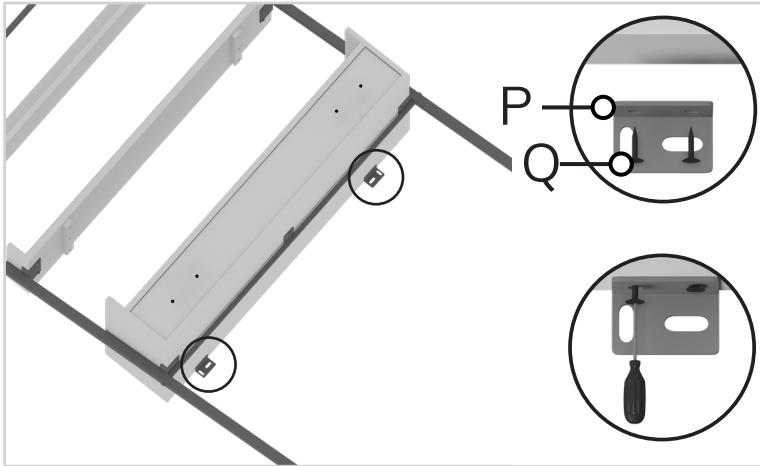
Once aligned, attach the shelves (I) and (H) and the drawer (G) in place using bolts (J). Tighten all points up to 50% using allen key (M). Do not tighten the bolts all the way.



■ For oak veneer product : please refer to the pages from 12-18

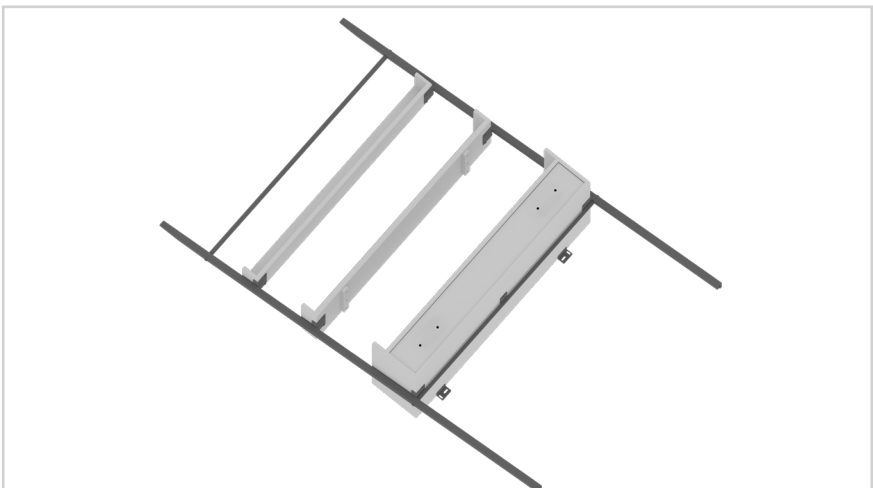
step 7:

Attach the metal brackets (P) into the pre-drilled holes under the drawer (G) using screws (Q). Once you ensure both shelves and the drawer are on an even surface, fully tighten the bolts.



step 8:

And your desk is ready for installation.



■ For oak veneer product : please refer to the pages from 12-18



Please note, that the installation for both, solid wood & oak veneer is the same.

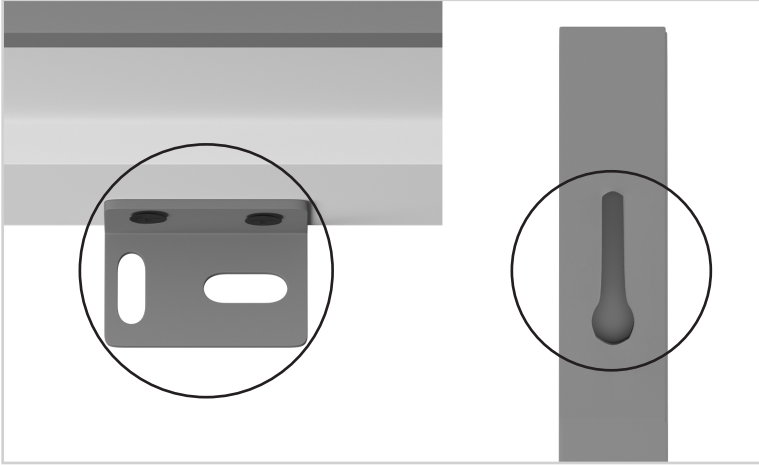
installation instructions



- ⓘ While assembling the product, tighten the bolts up to 50%. Once all parts are in place, only then fully tighten the bolts.

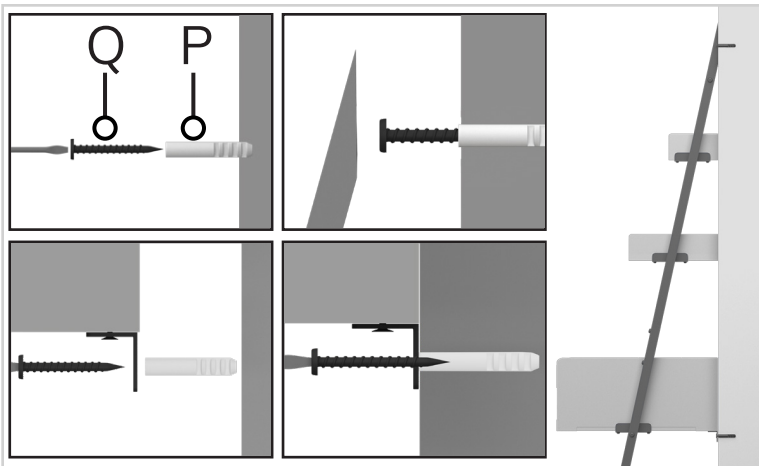
step 1:

Next, to install the assembled desk, make marks on the wall with the help of a pencil where you want to make holes. See the highlighted areas to understand



step 2:

Drill holes and insert the wall plugs (P) completely in the wall. Now insert screws (Q) and tighten using a screwdriver.



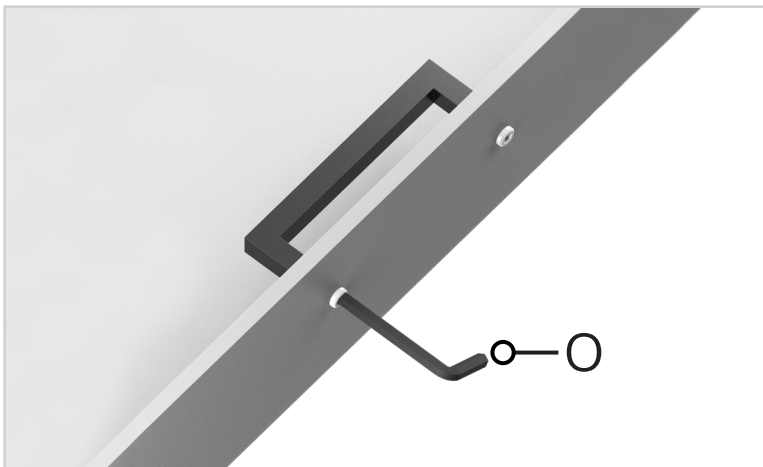
step 3:

Pull on the ribbon to open the drawer.



step 4:

Using the allen key (O), detach the handle fitted inside the drawer.



step 5:

Place the handle outside the drawer and re-attach using the screws that you just removed and tighten using the allen key (O).

