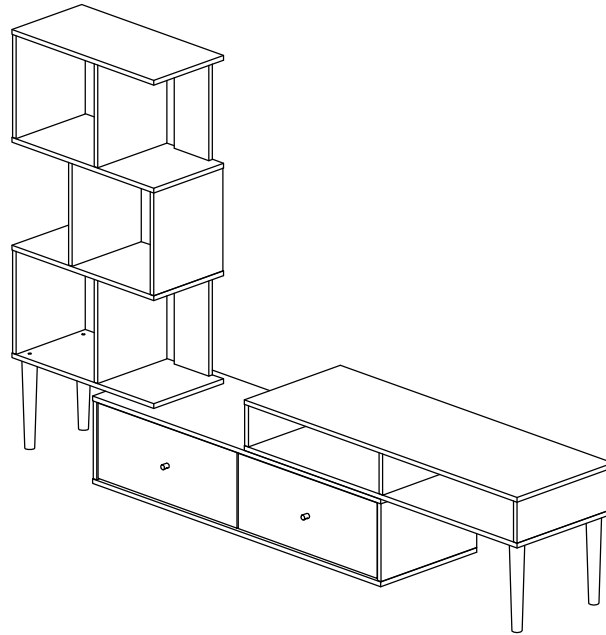
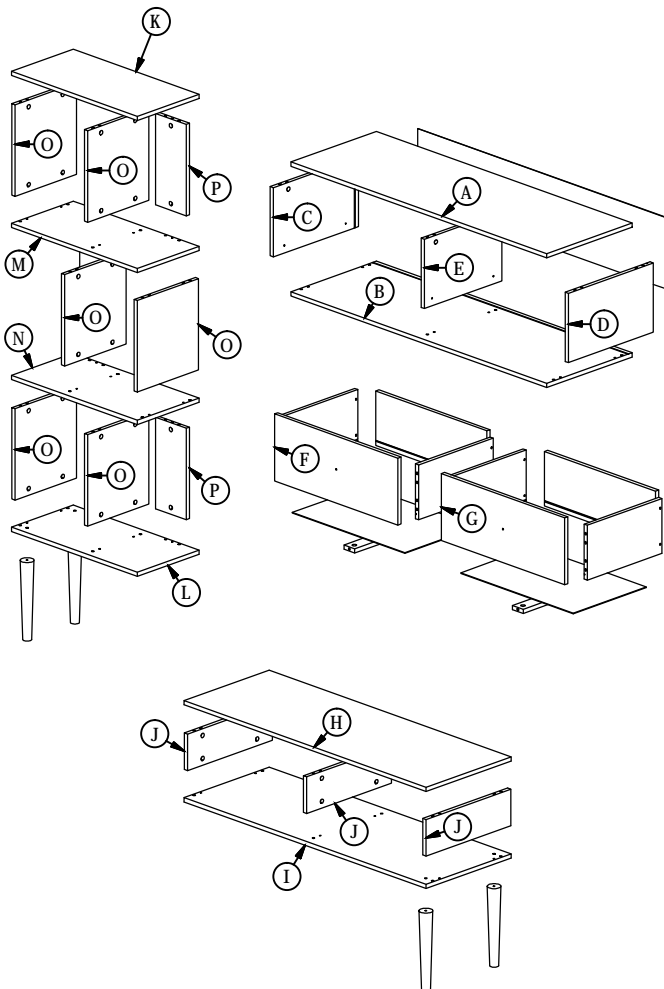


Assembly Instruction



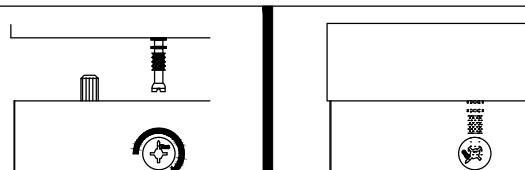
Part List



Hardware List

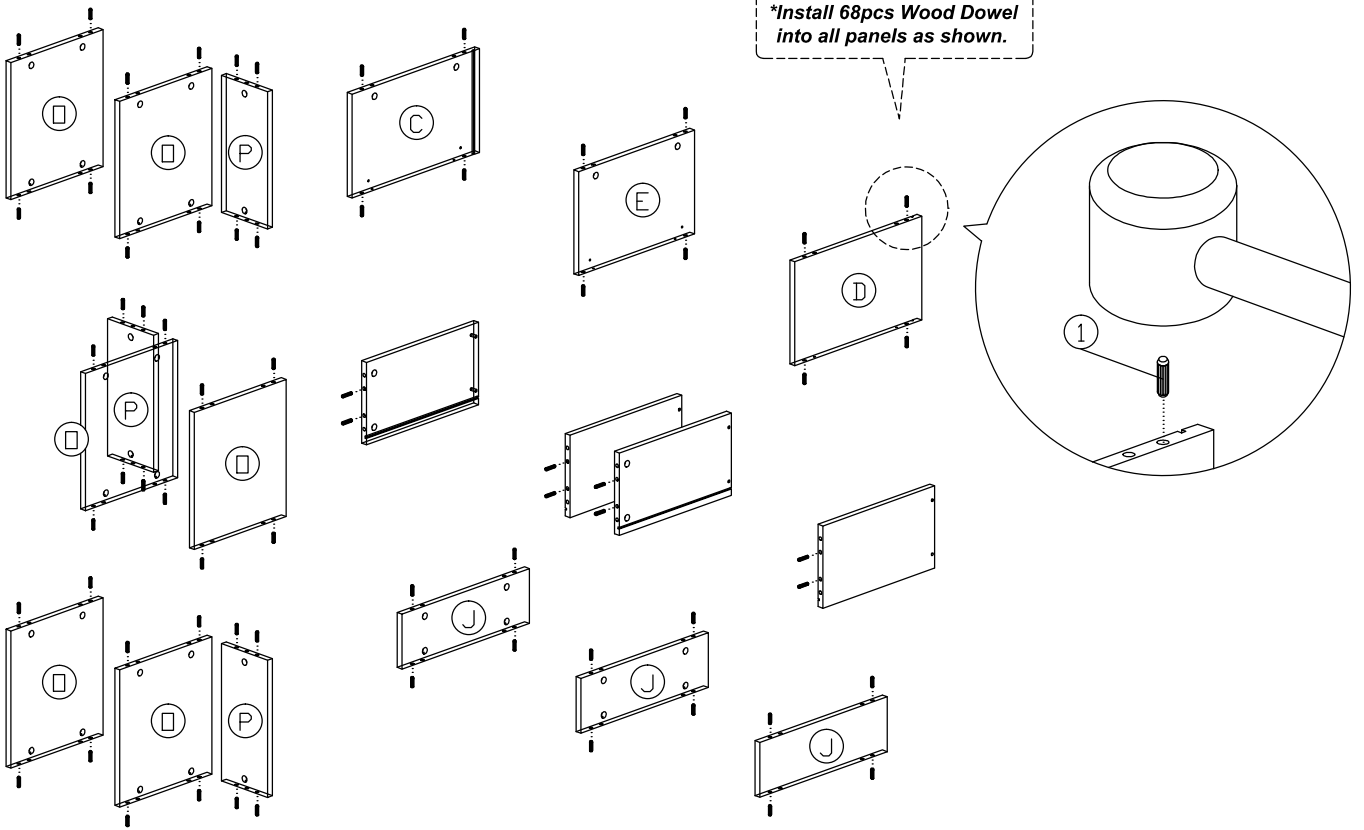
No.	SHAPE	DESCRIPTION	Qty.
1		8x25mm Wood Dowel	68Pcs
2		15MM Titus Mini Fix	58Sets
3		M5x8mm Screw (Euro Screw)	8Pcs
4		M3.5x15mm Screw	8Pcs
5		M4x38mm Screw	10Pcs
6		M5x38mm Screw	6Pcs
7		M6x40mm Screw	4Pcs
8		L Key	1Pc
9		Nail	3Pcs
10		15mm Minifix Cap	50Pcs
11		Nail Leg	6Pcs
12		Wooden Leg (Ø50x282mm)	4Pcs
13		Drawer Slide = 350mm	2Sets
14		Wood Handle Ø15x20 M4x25mm (Handle Screw)	2Sets

Dowel / Cam - Lock Installation

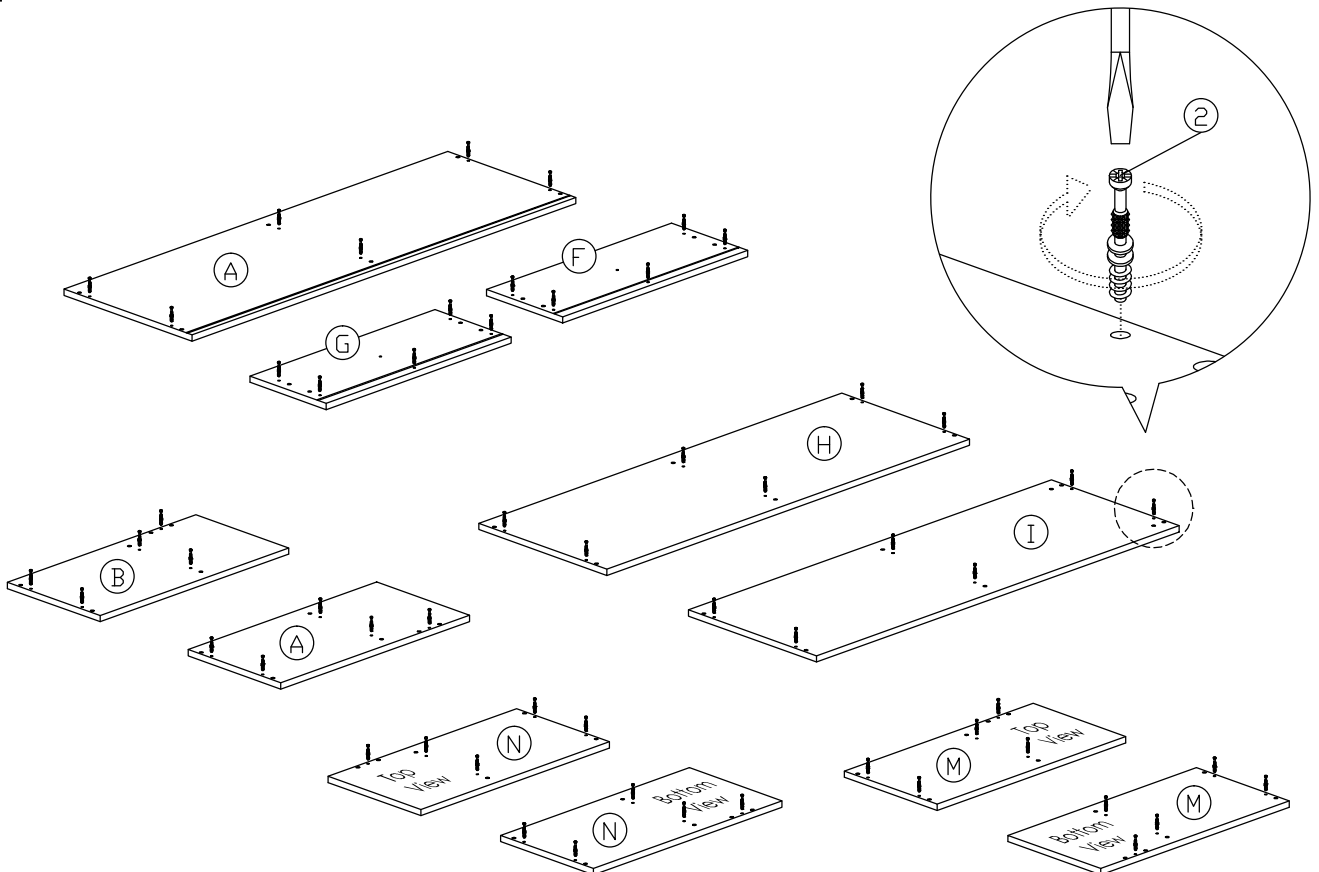


Assembly Instruction

Step 1

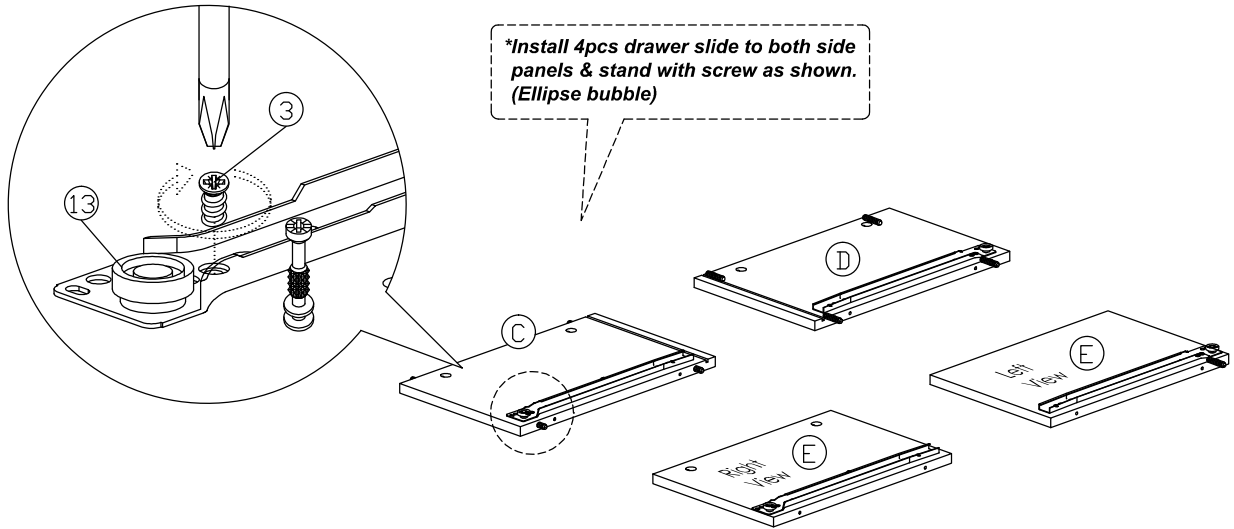


Step 2

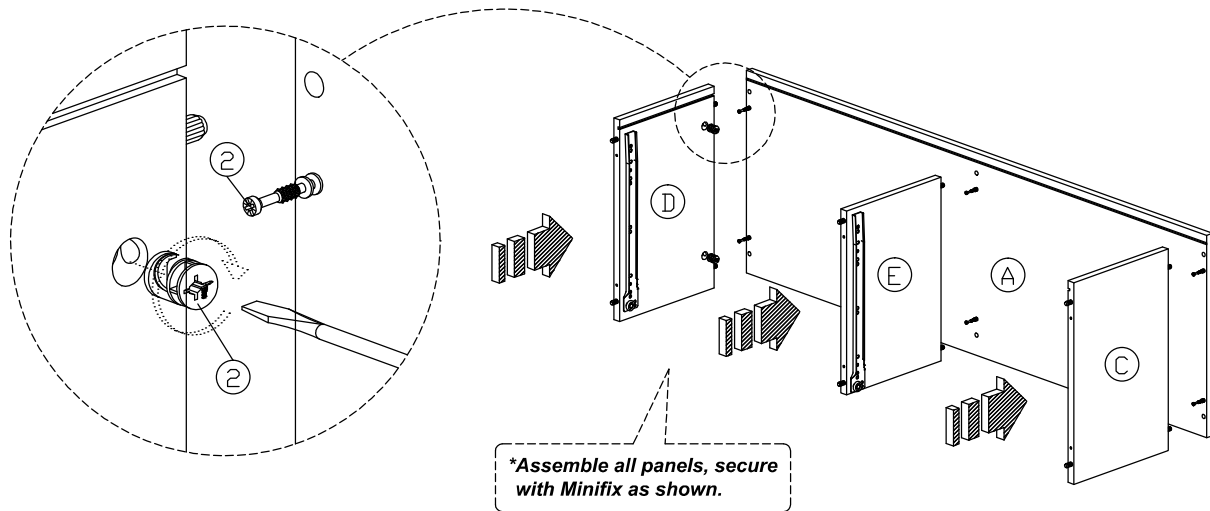


Assembly Instruction

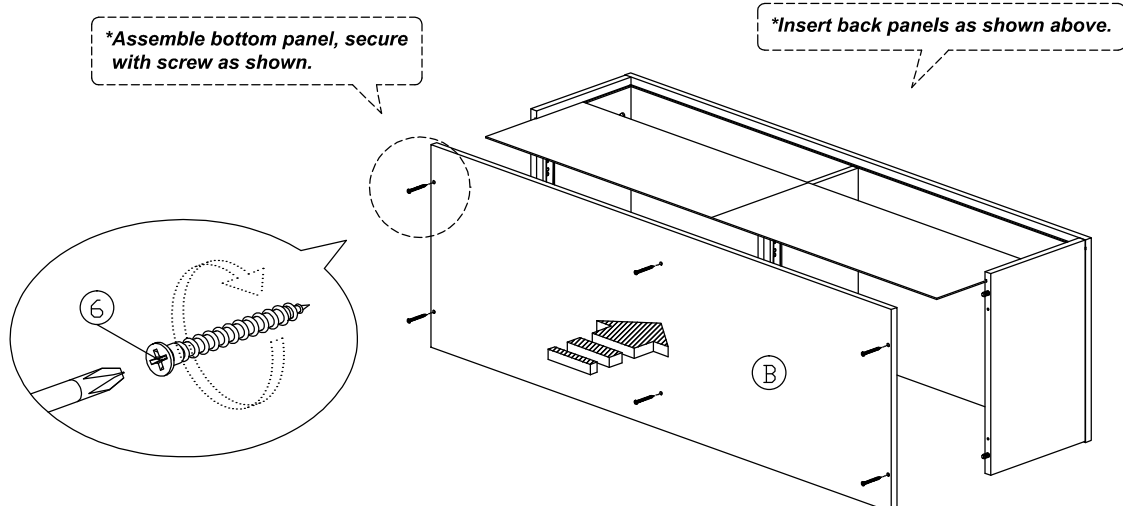
Step 3



Step 4

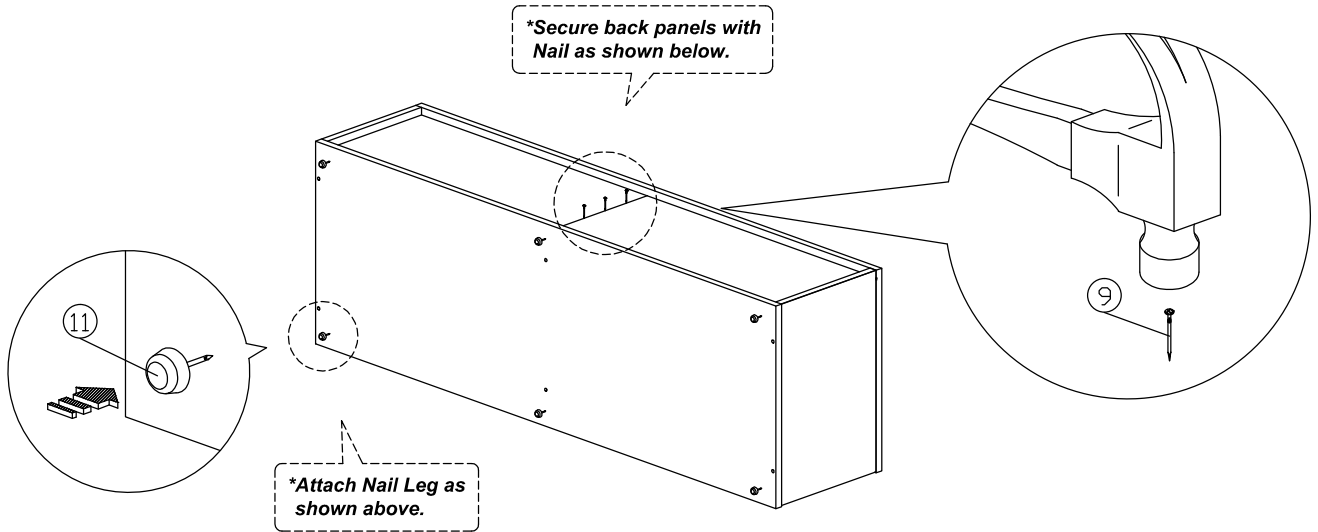


Step 5

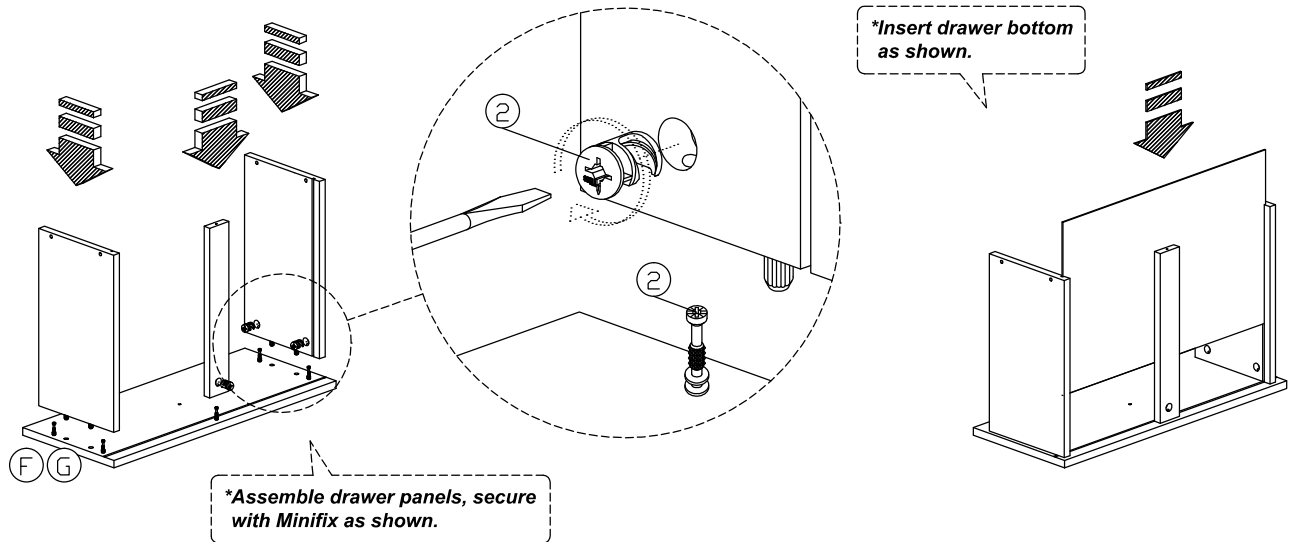


Assembly Instruction

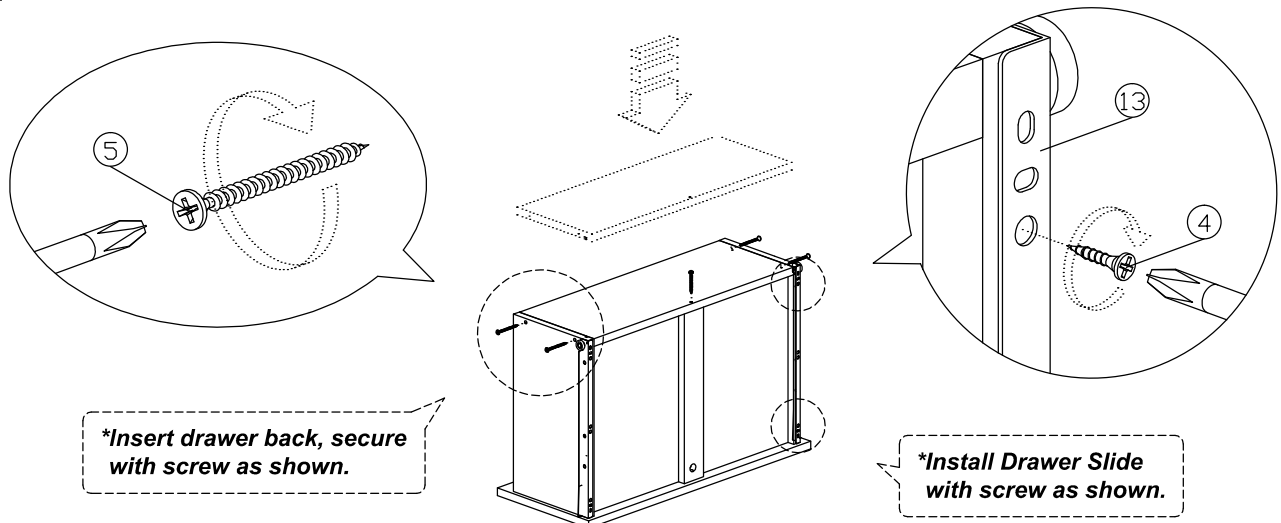
Step 6



Step 7

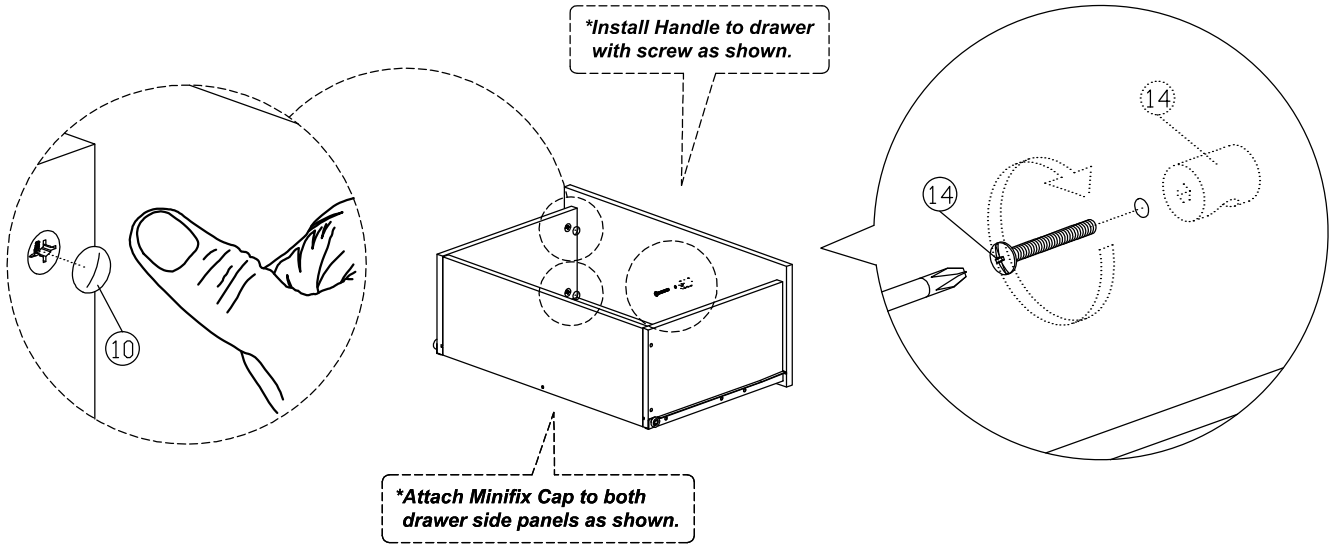


Step 8

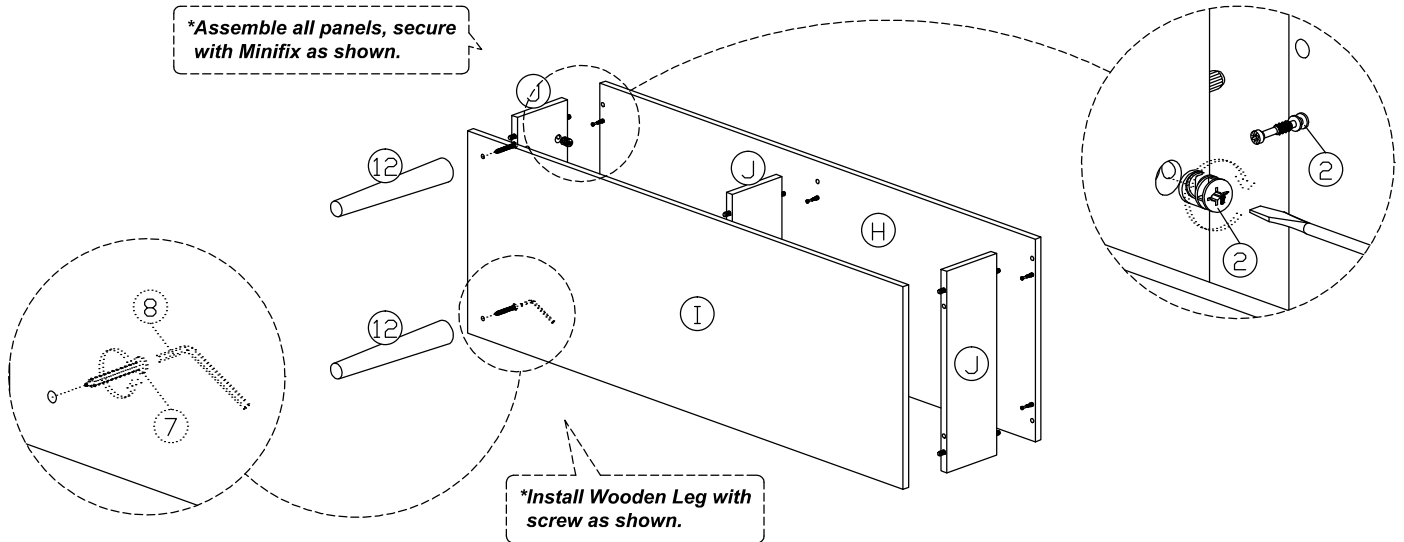


Assembly Instruction

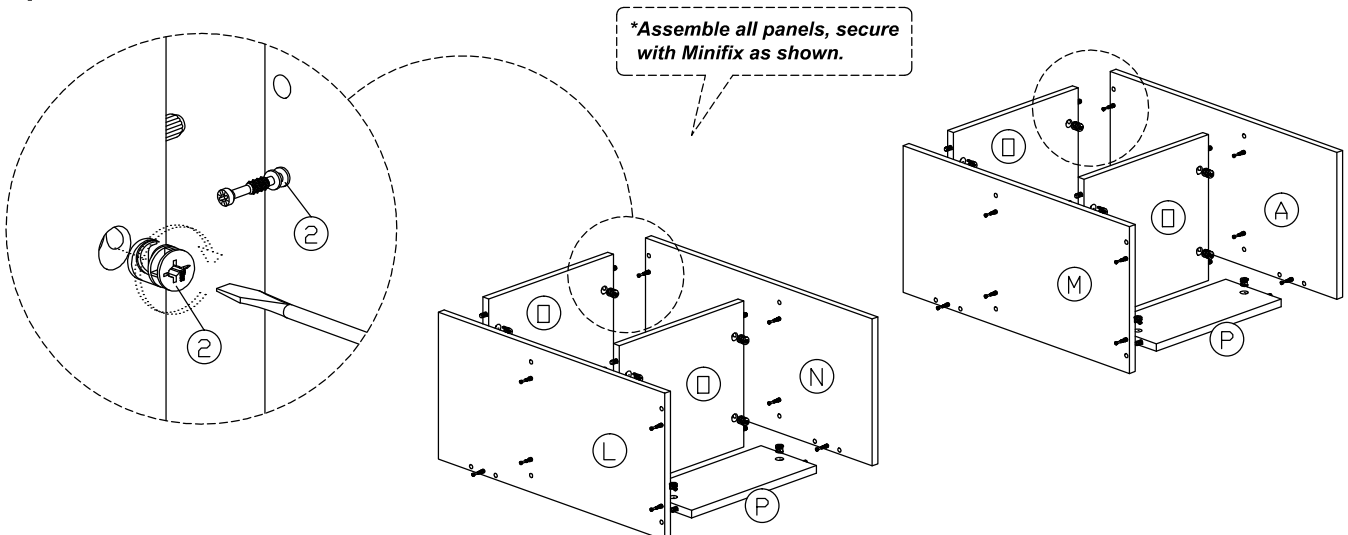
Step 9



Step 10

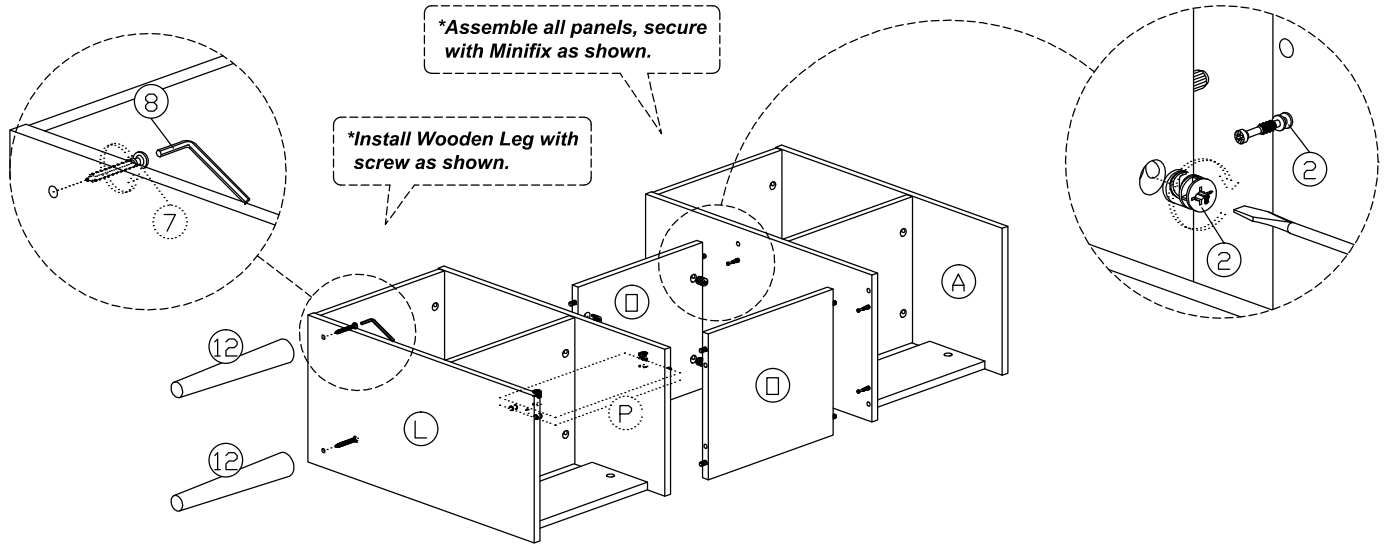


Step 11



Assembly Instruction

Step 12



Step 13

