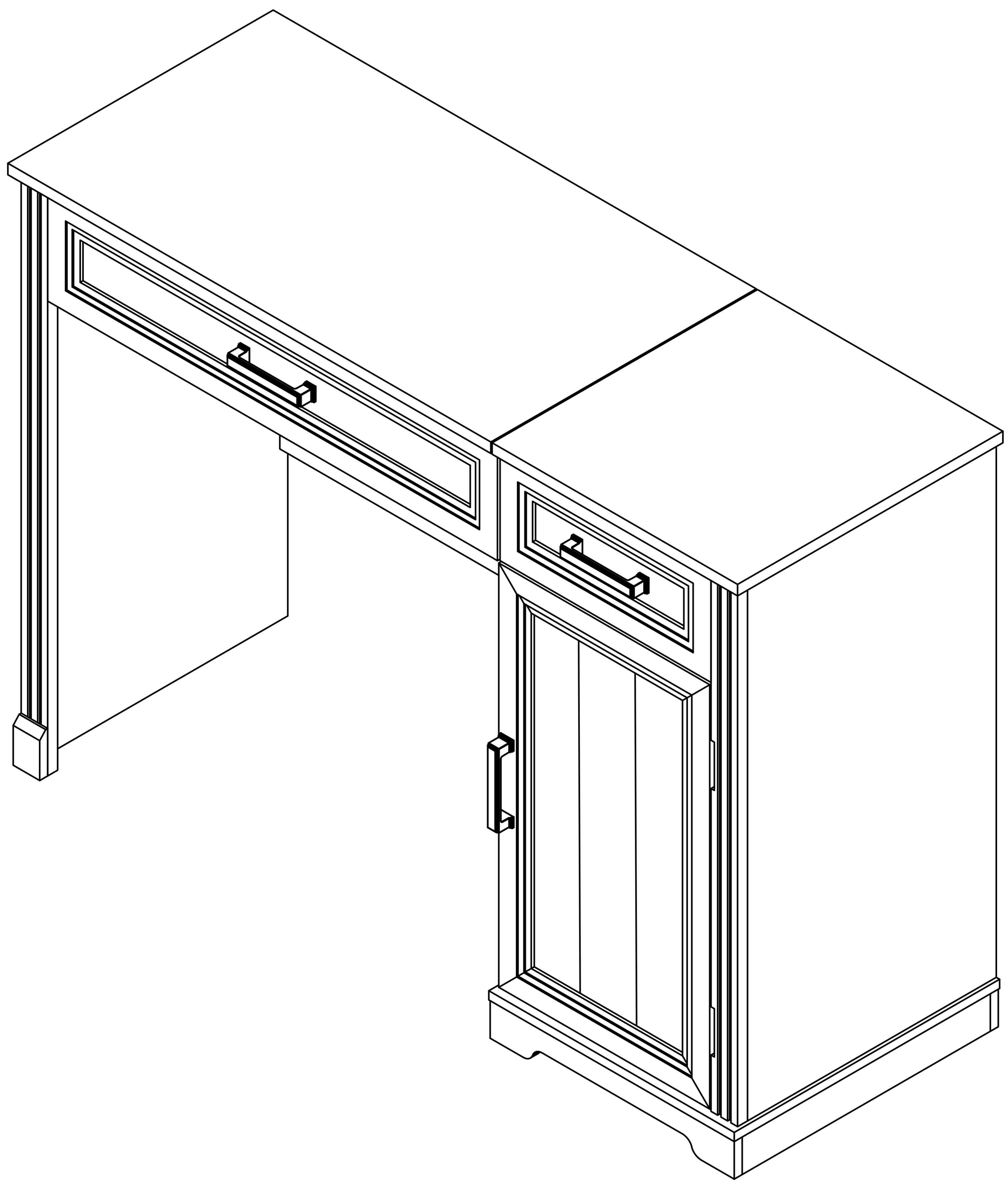
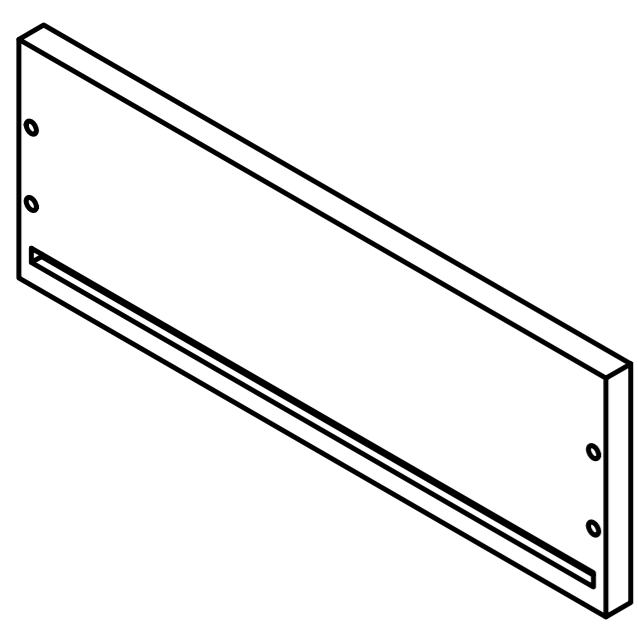
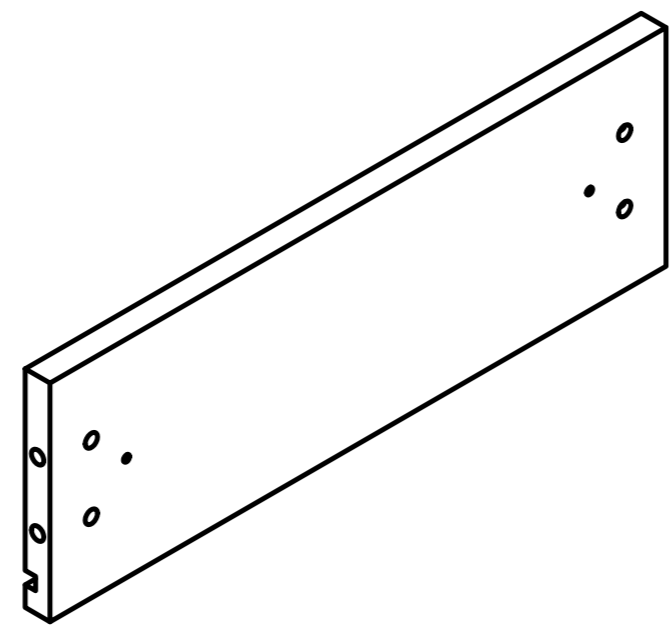


# Product Installation Instructions

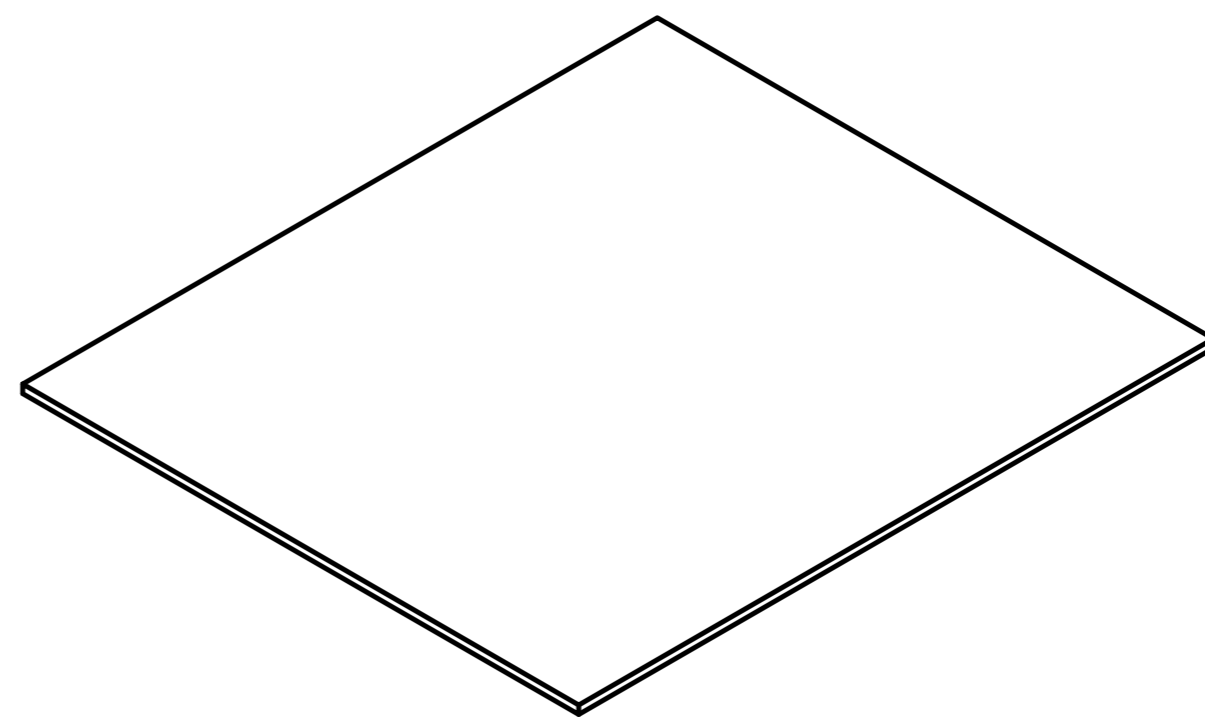




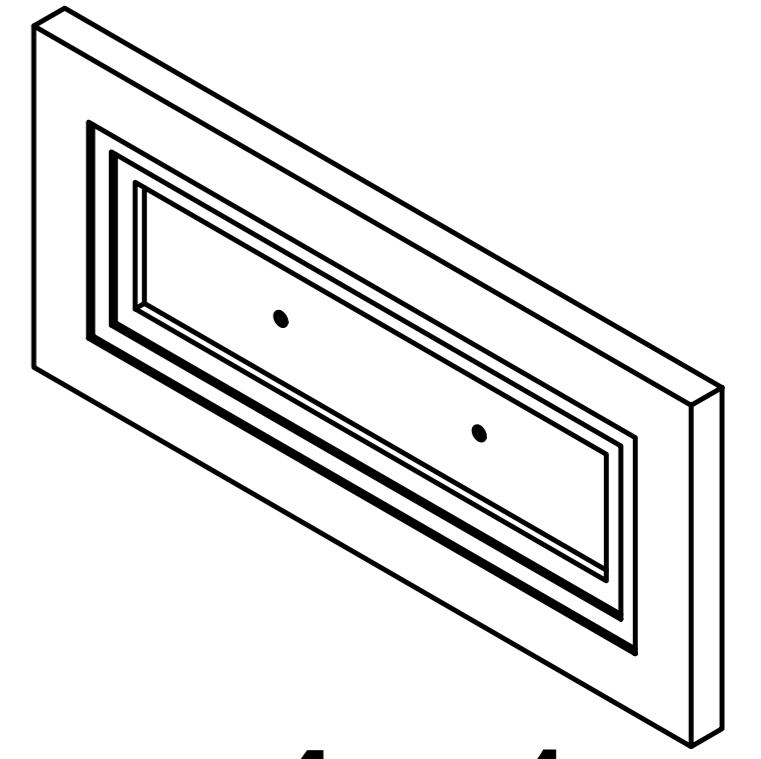
1x1



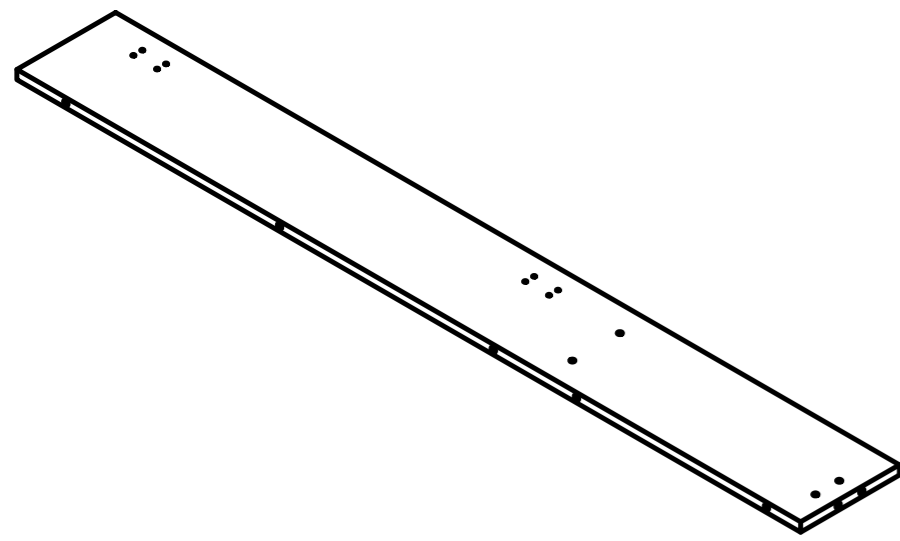
2x2



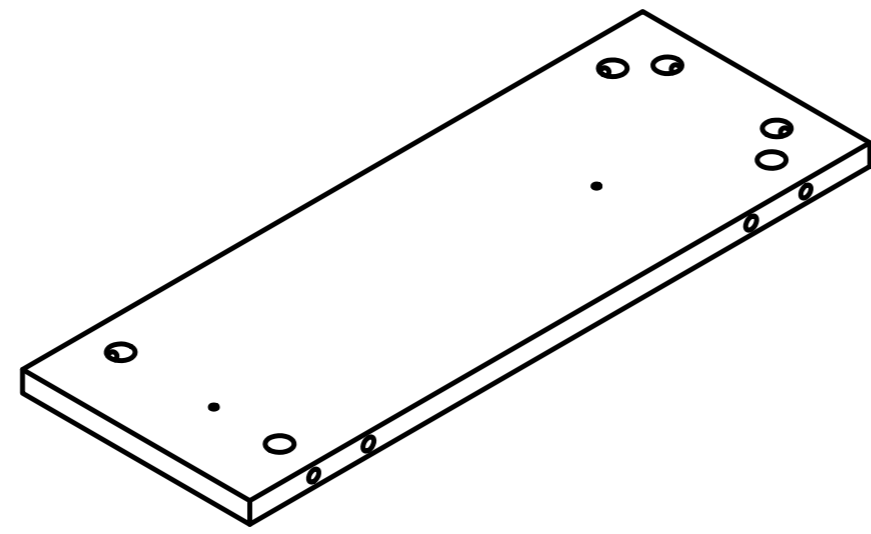
3x1



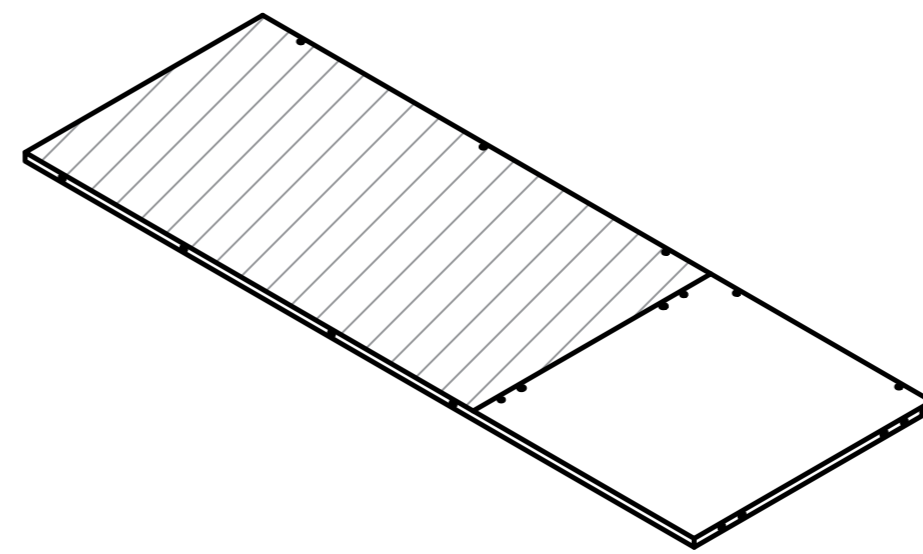
4x1



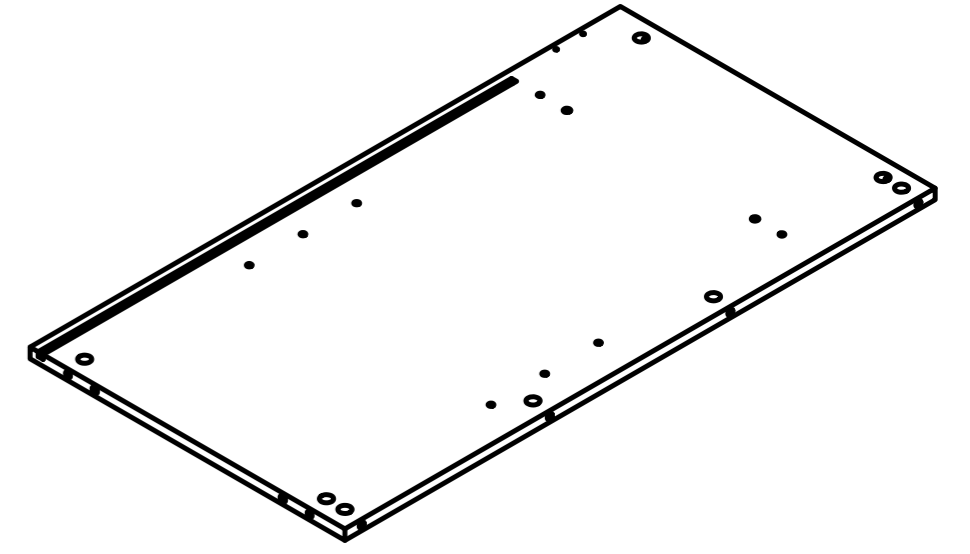
5x1



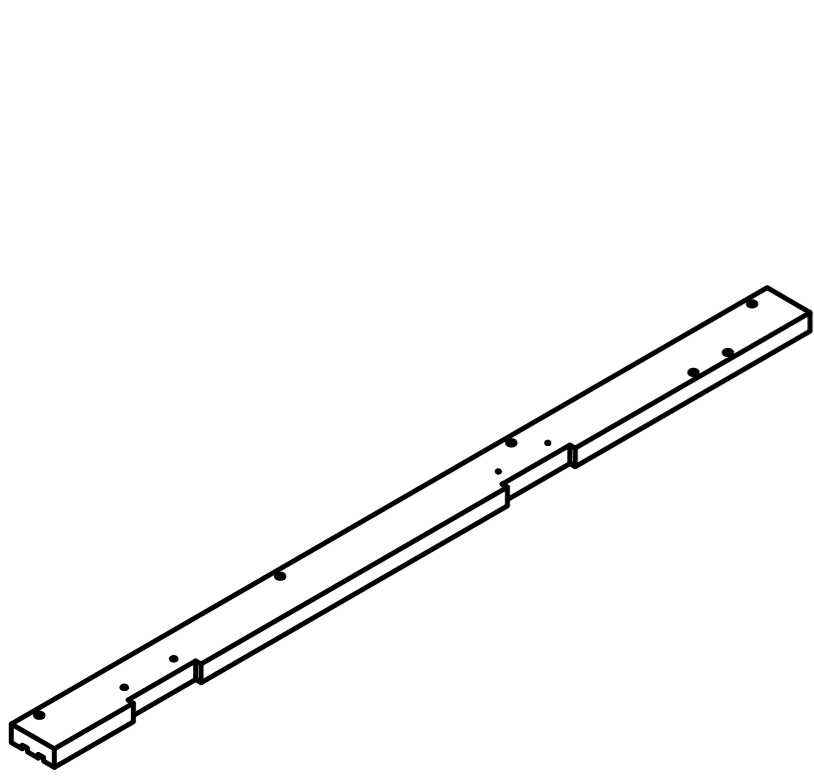
6x1



7x1



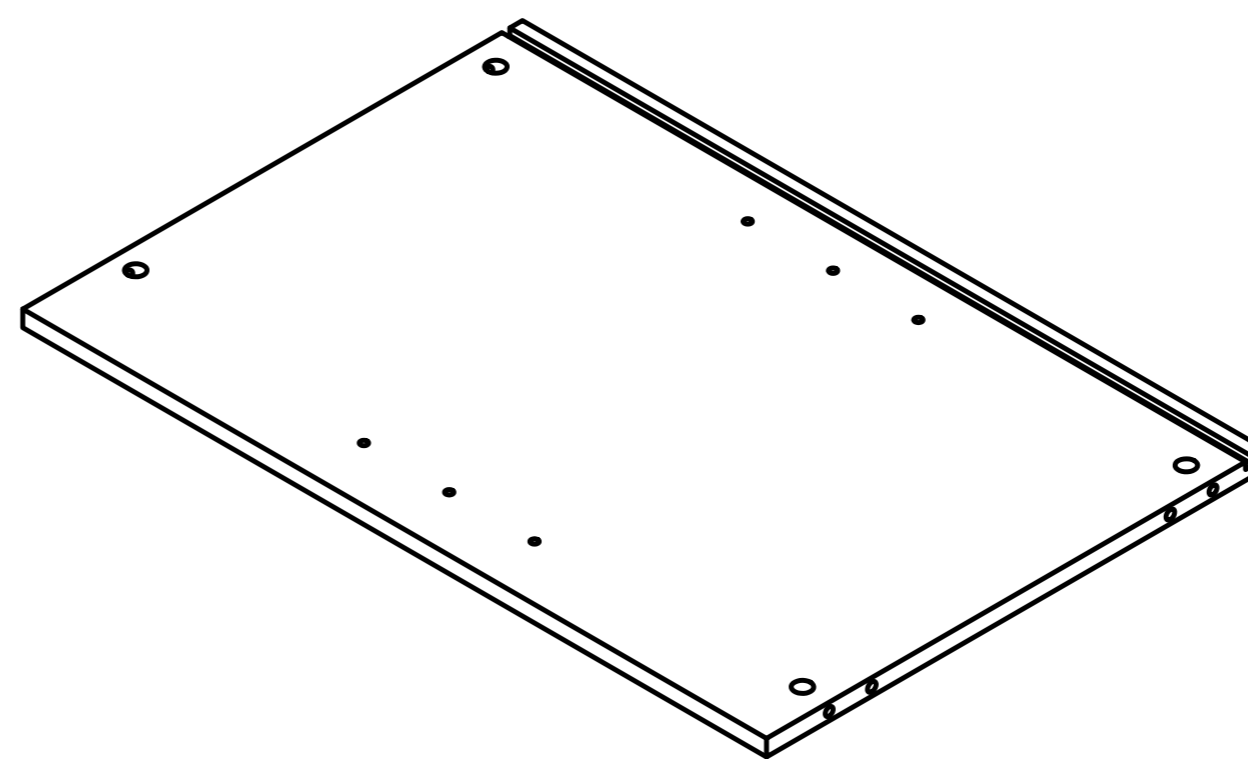
8x1



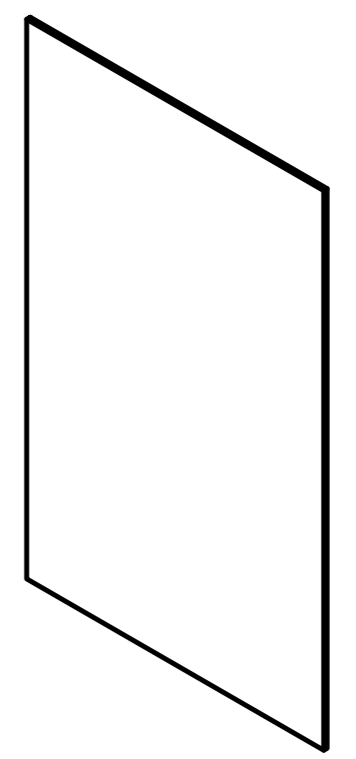
9x1



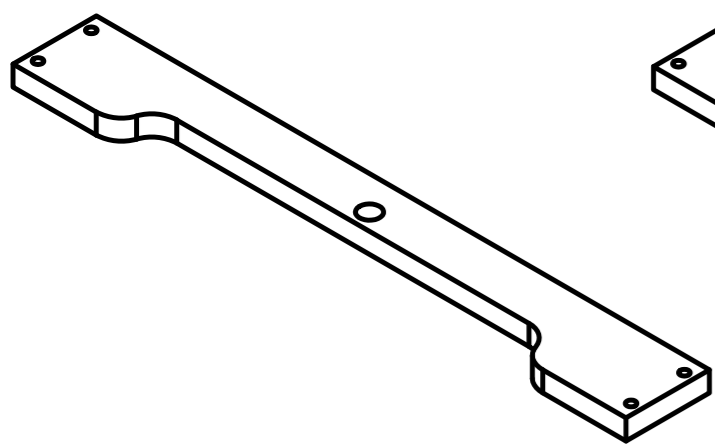
10x1



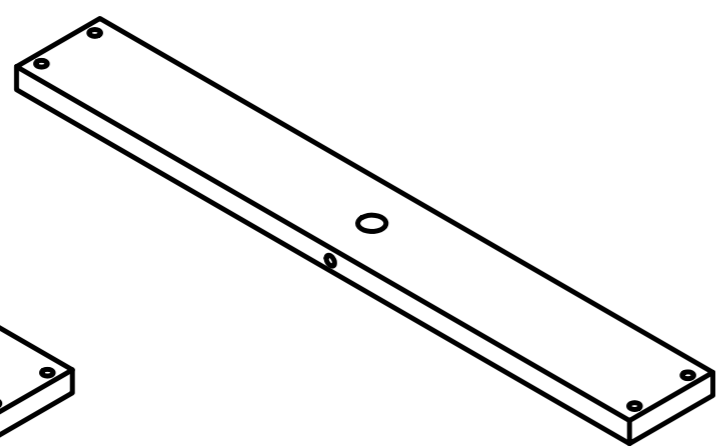
11x1



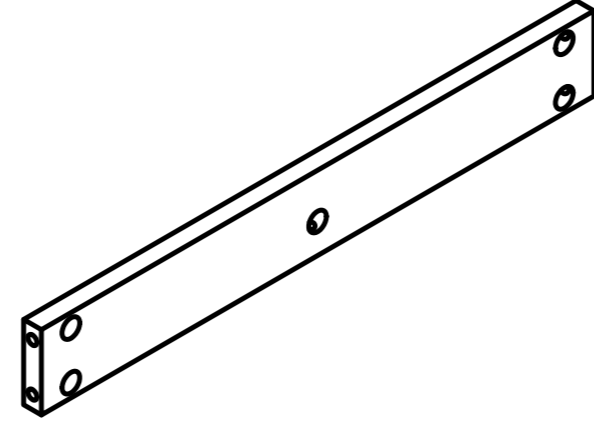
12x1



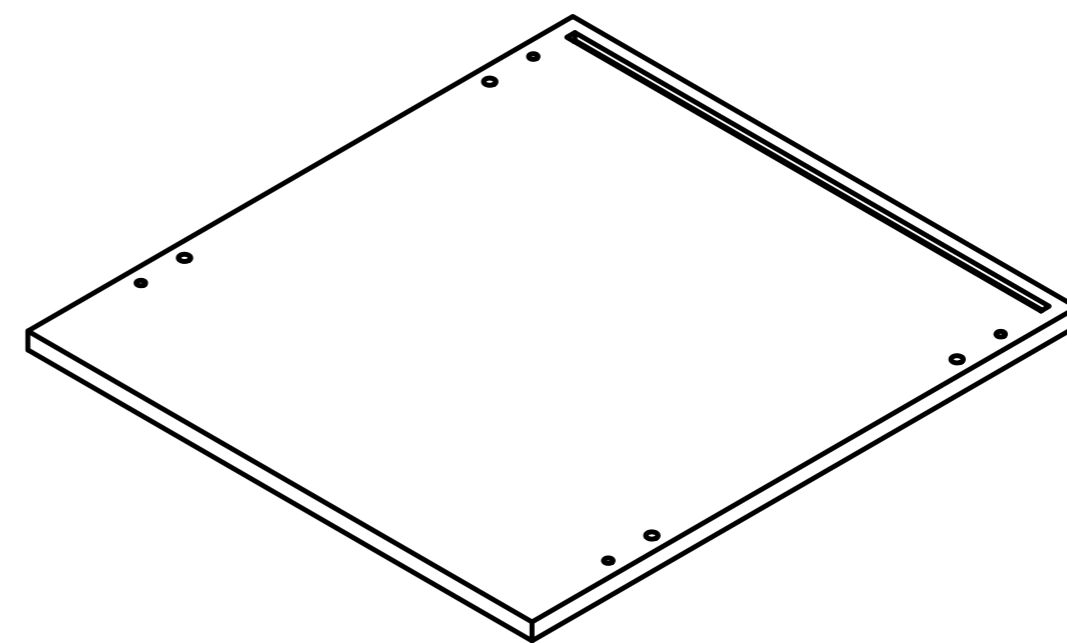
13x1



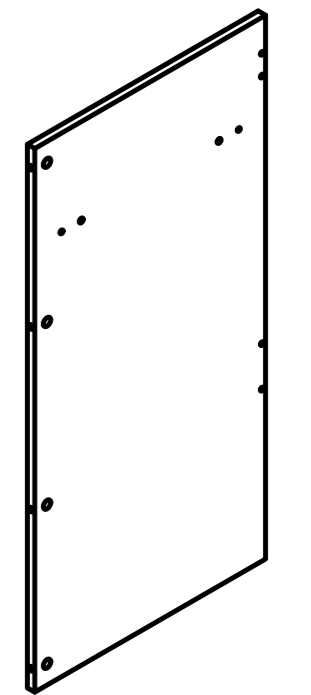
14x1



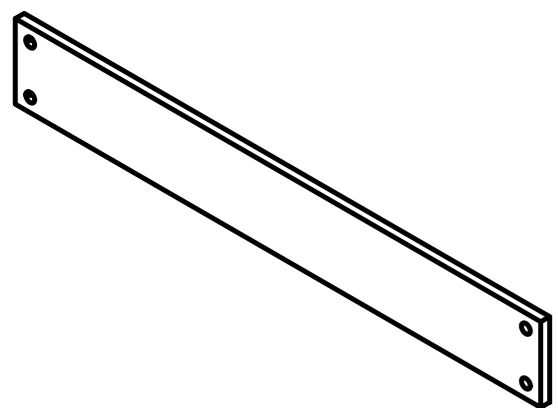
15x2



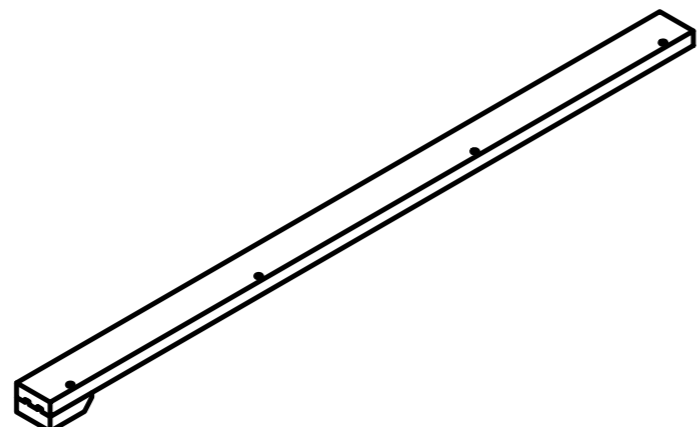
16x1



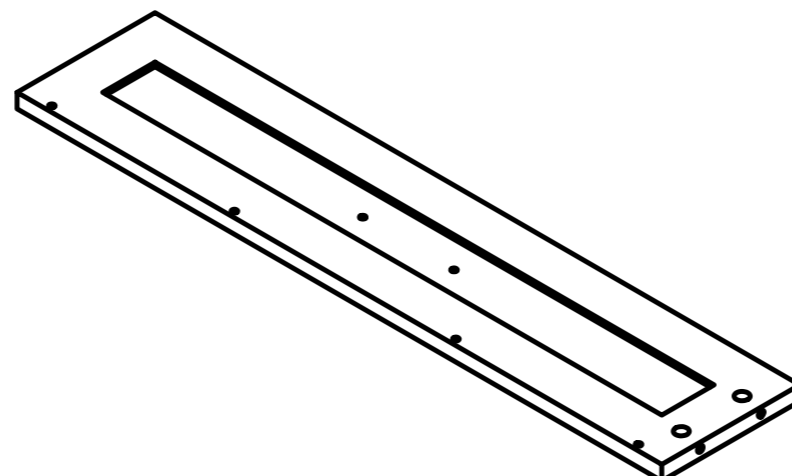
17x1



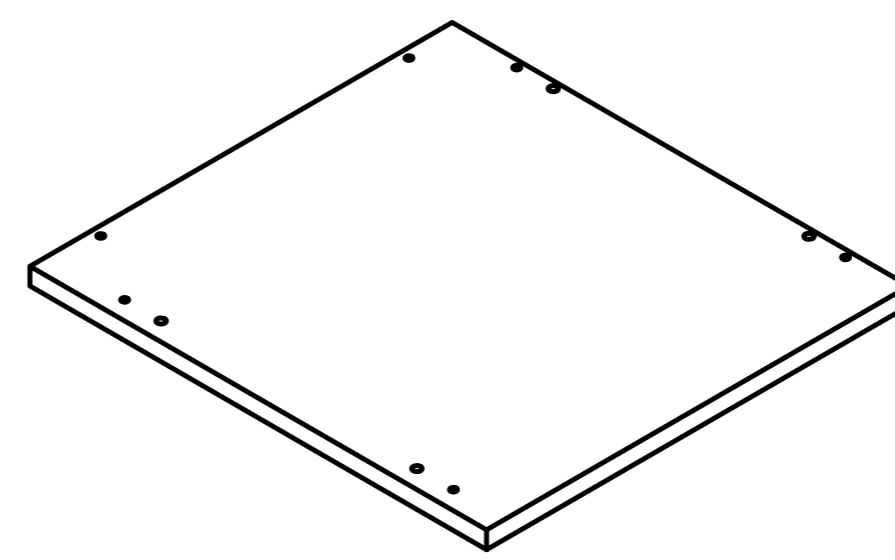
18x1



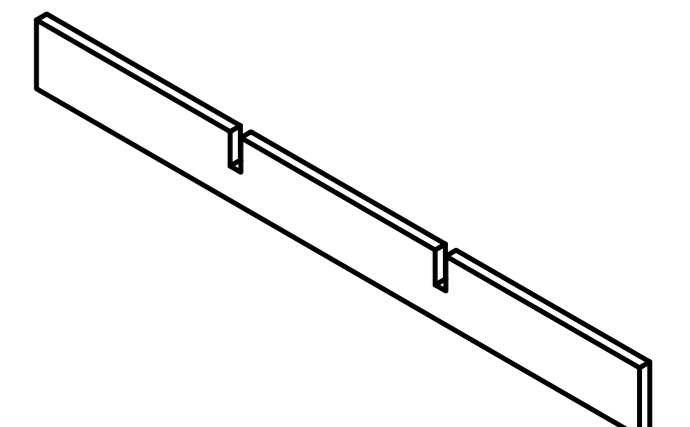
19x1



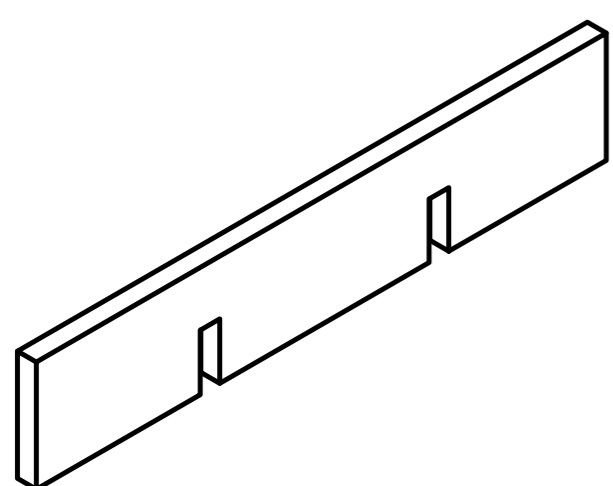
20x1



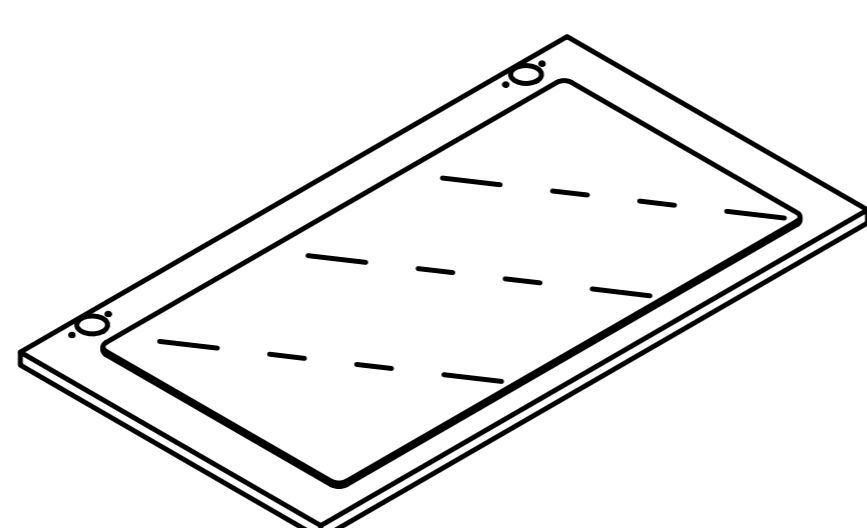
21x1



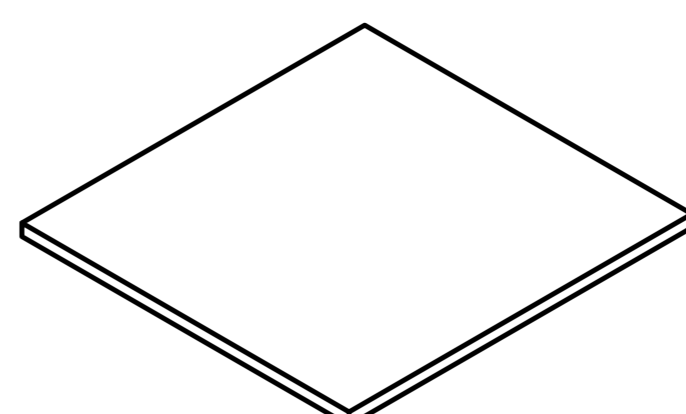
22x2



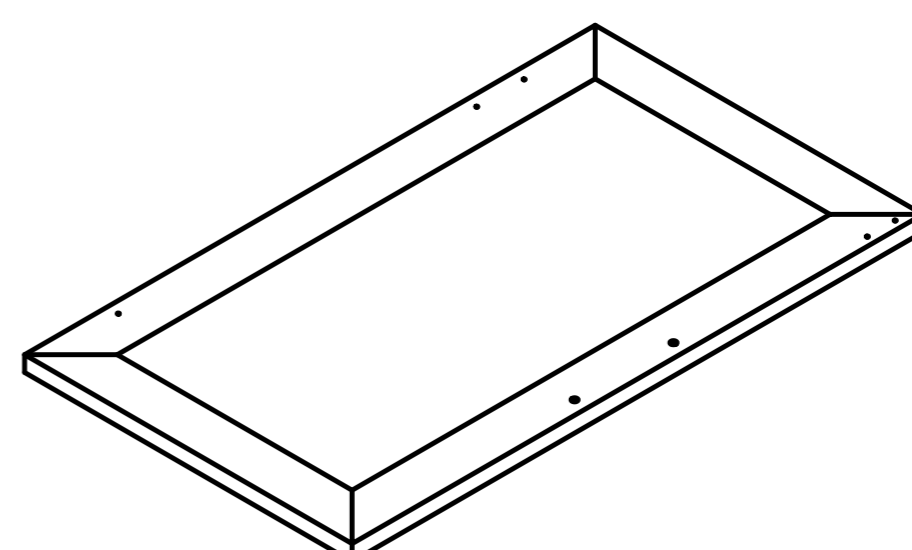
23x2



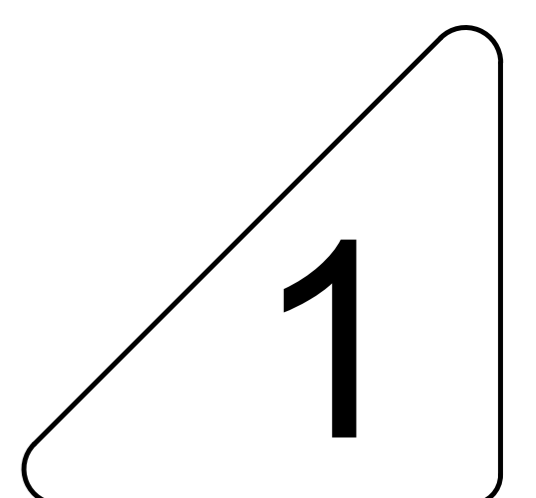
24x1



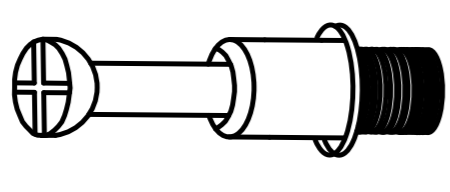
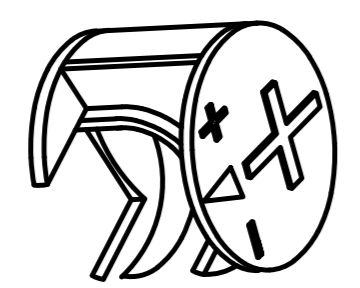

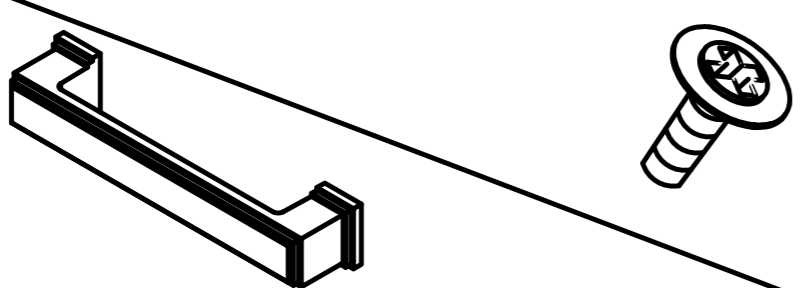
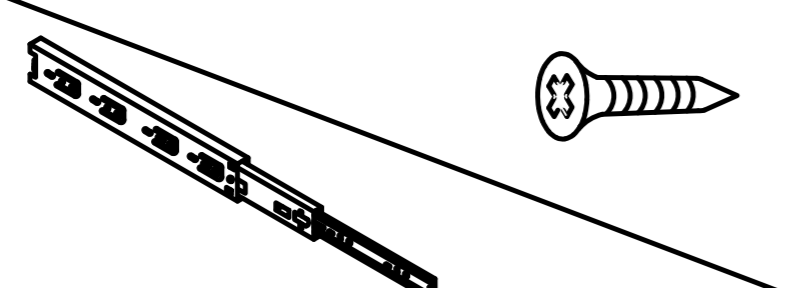
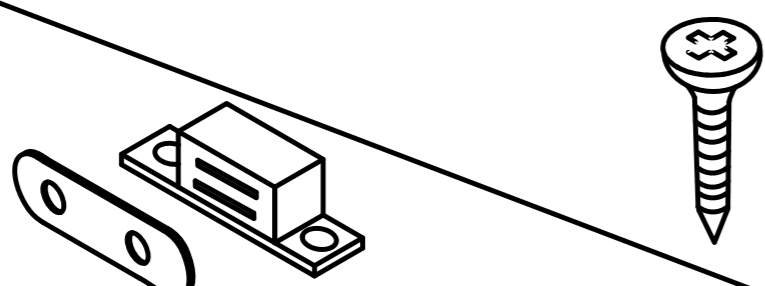
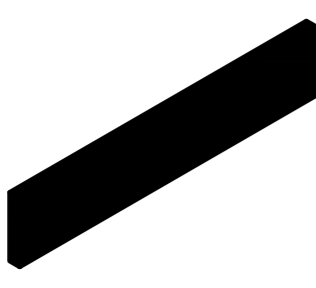
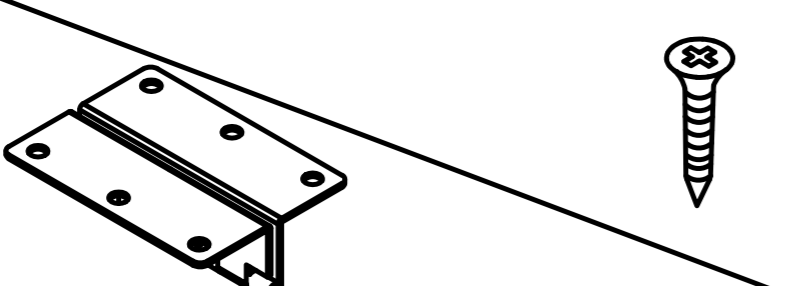
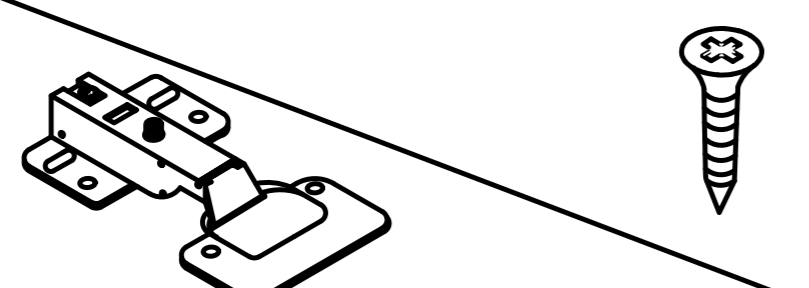
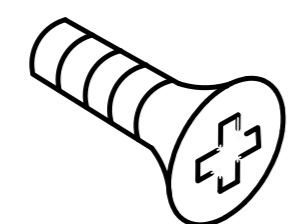
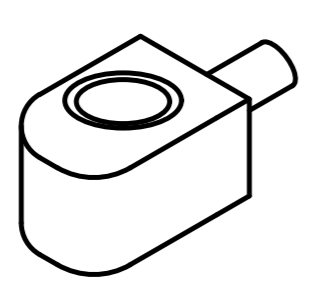
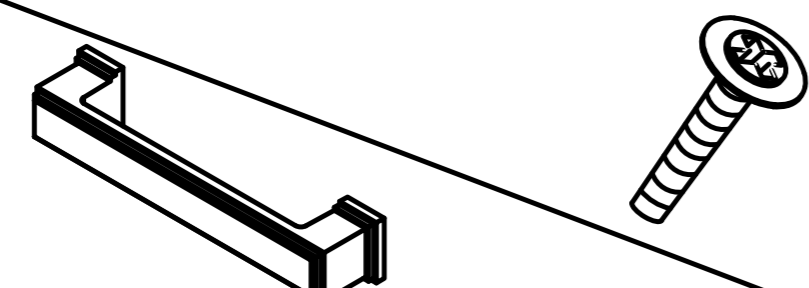
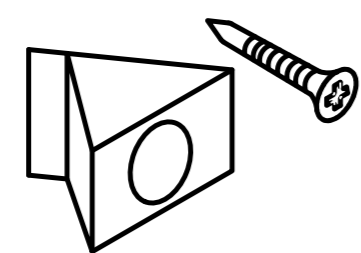
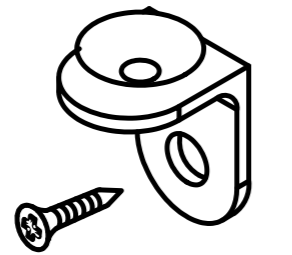
25x1



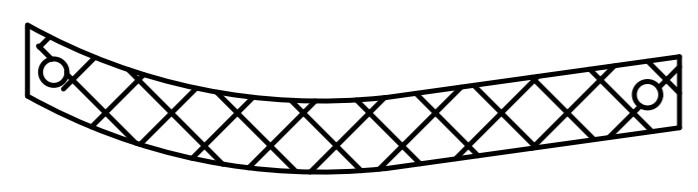
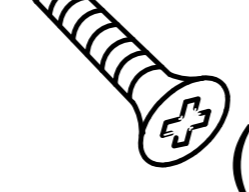
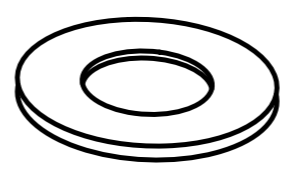
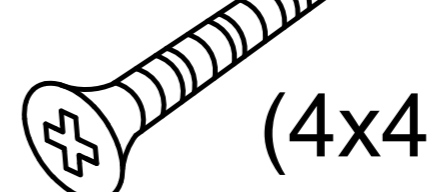
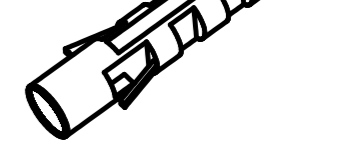
26x1

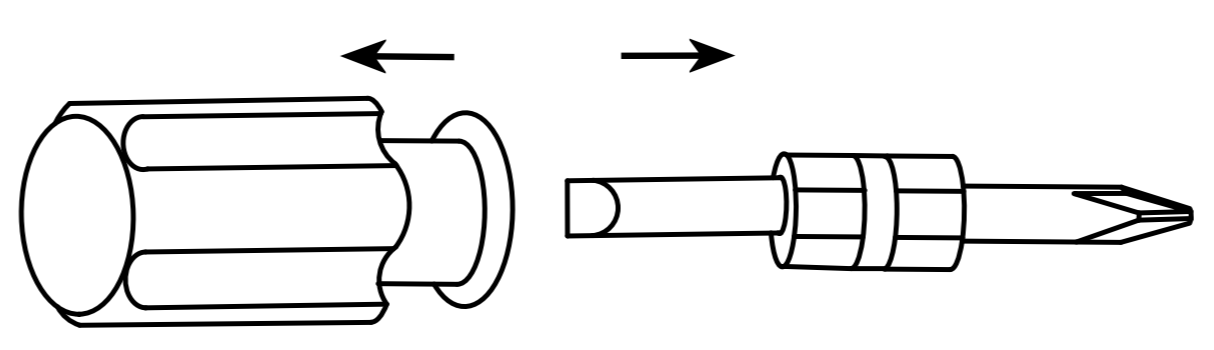
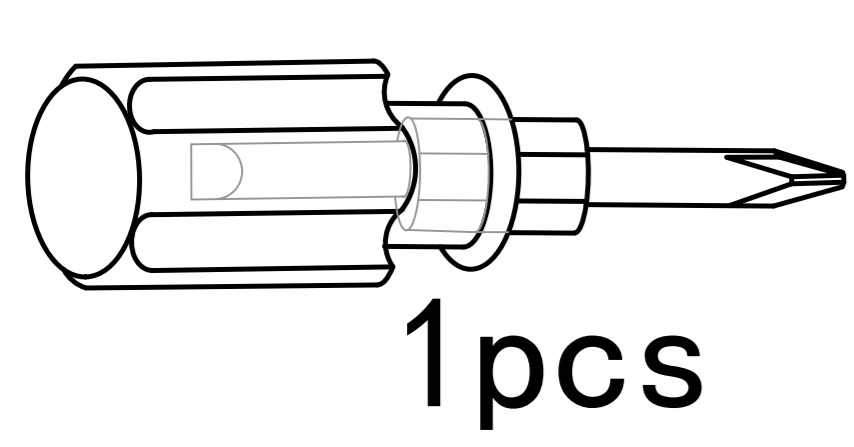
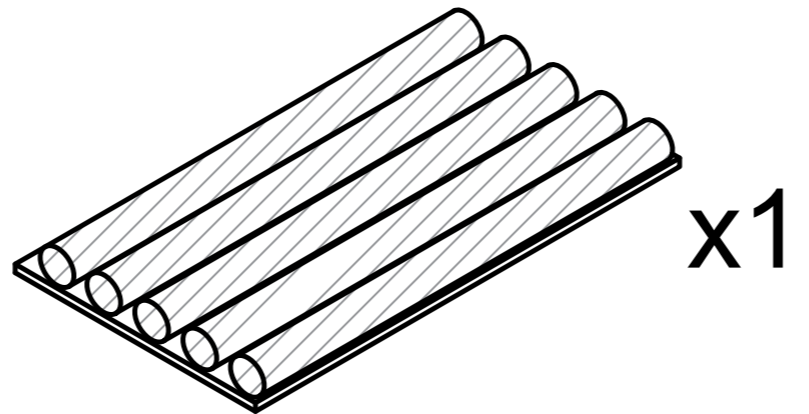


1

<b>A</b>		<b>Two in one screw</b> (6x28mm)	71pcs +4pcs
<b>B</b>		<b>Two in one nut</b> (10x12mm)	71pcs +4pcs
<b>C</b>		<b>Wood Chipping</b> (6x30mm)	16pcs +4pcs
<b>D</b>		<b>Handle &amp; Screw</b> (4x8mm)	2pcs / 4pcs +1pcs
<b>E</b>		<b>(29cm) Guide &amp; Screw</b> (3x12mm)	2pcs / 10pcs +2pcs
<b>F</b>		<b>Iron sheet &amp; Screw</b> (3x10mm)	1pcs / 4pcs +1pcs
<b>G</b>		<b>Soundproof pad</b>	16pcs +2pcs
<b>H</b>		<b>Hinge &amp; Screw</b> (3.5x12mm)	2pcs / 12pcs +1pcs
<b>I</b>		<b>Hinge &amp; Screw</b> (4x14mm)	2pcs / 4pcs +1pcs
<b>J</b>		<b>Screw</b> (4x14mm)	8pcs +1pcs
<b>K</b>		<b>Laminate support nail</b>	4pcs +1pcs
<b>L</b>		<b>Handle &amp; Screw</b> (4x16mm)	1pcs / 2pcs +1pcs
<b>M</b>		<b>Fixing Clip &amp; Screw</b> (3x16mm)	4pcs +1pcs
<b>N</b>		<b>Support nail</b> (4x12mm)	1pcs +1pcs

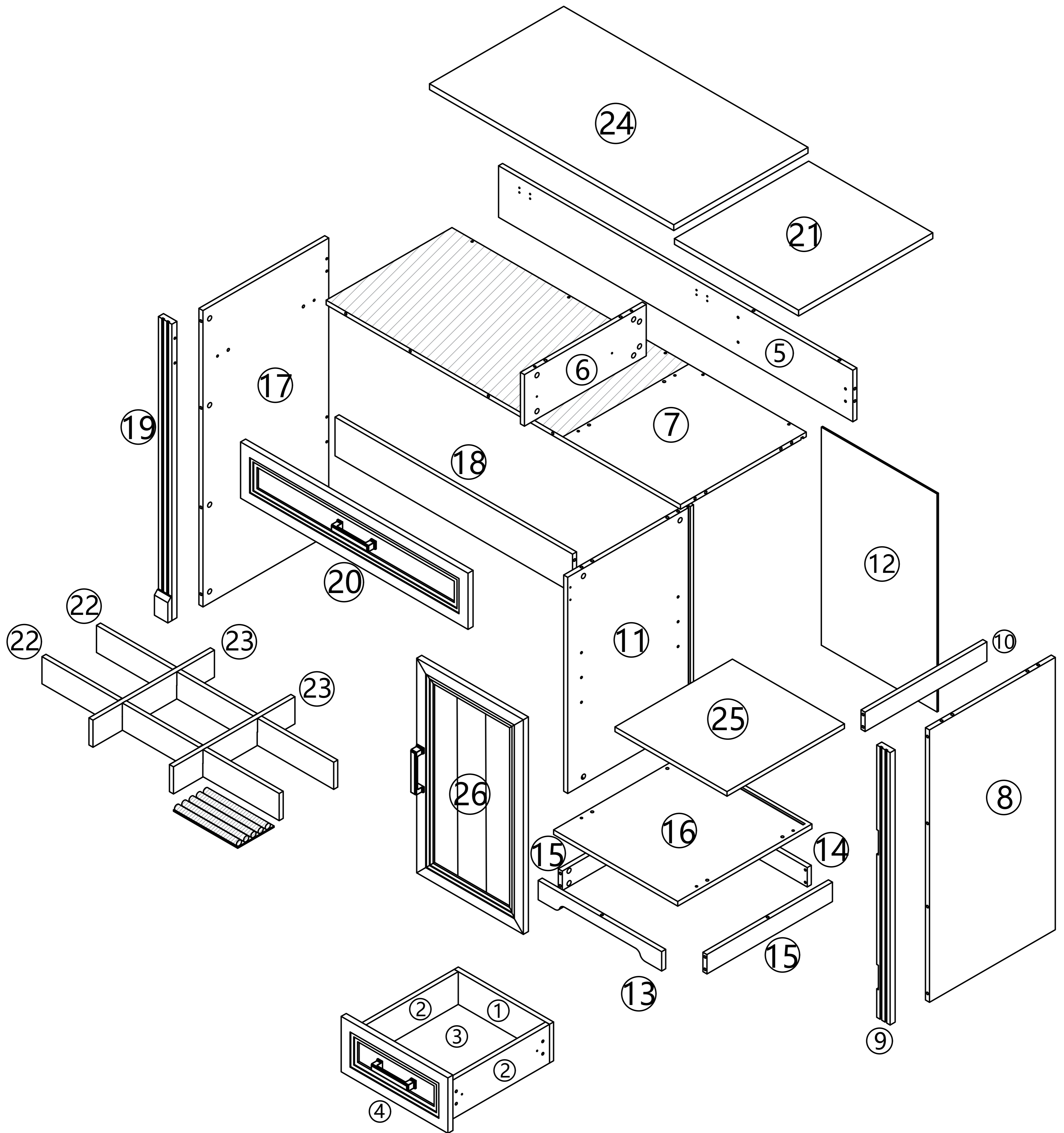
**Anti tipping hardware**

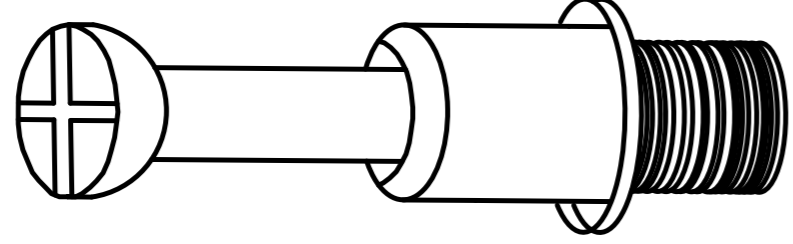
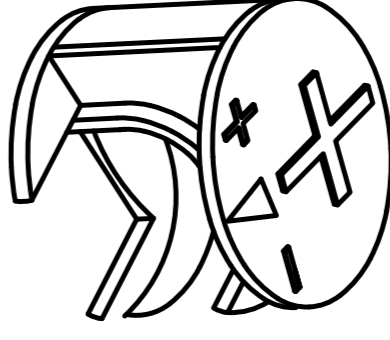
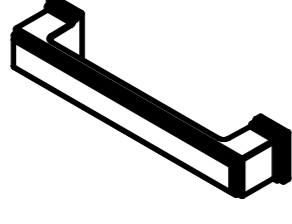
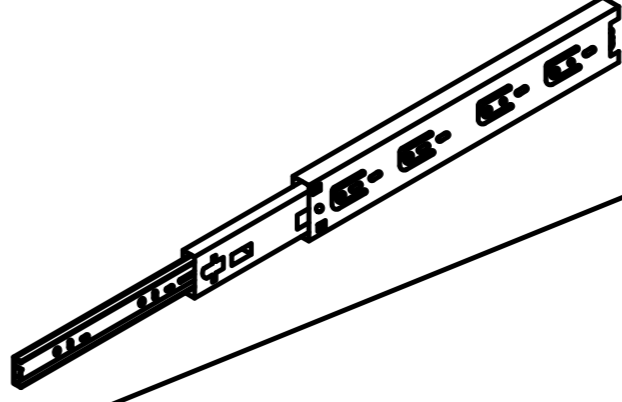
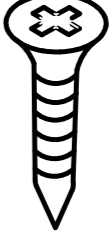
-  x1
-  (3.5x12mm) x1
-  x2
-  (4x45mm) x1
-  x1

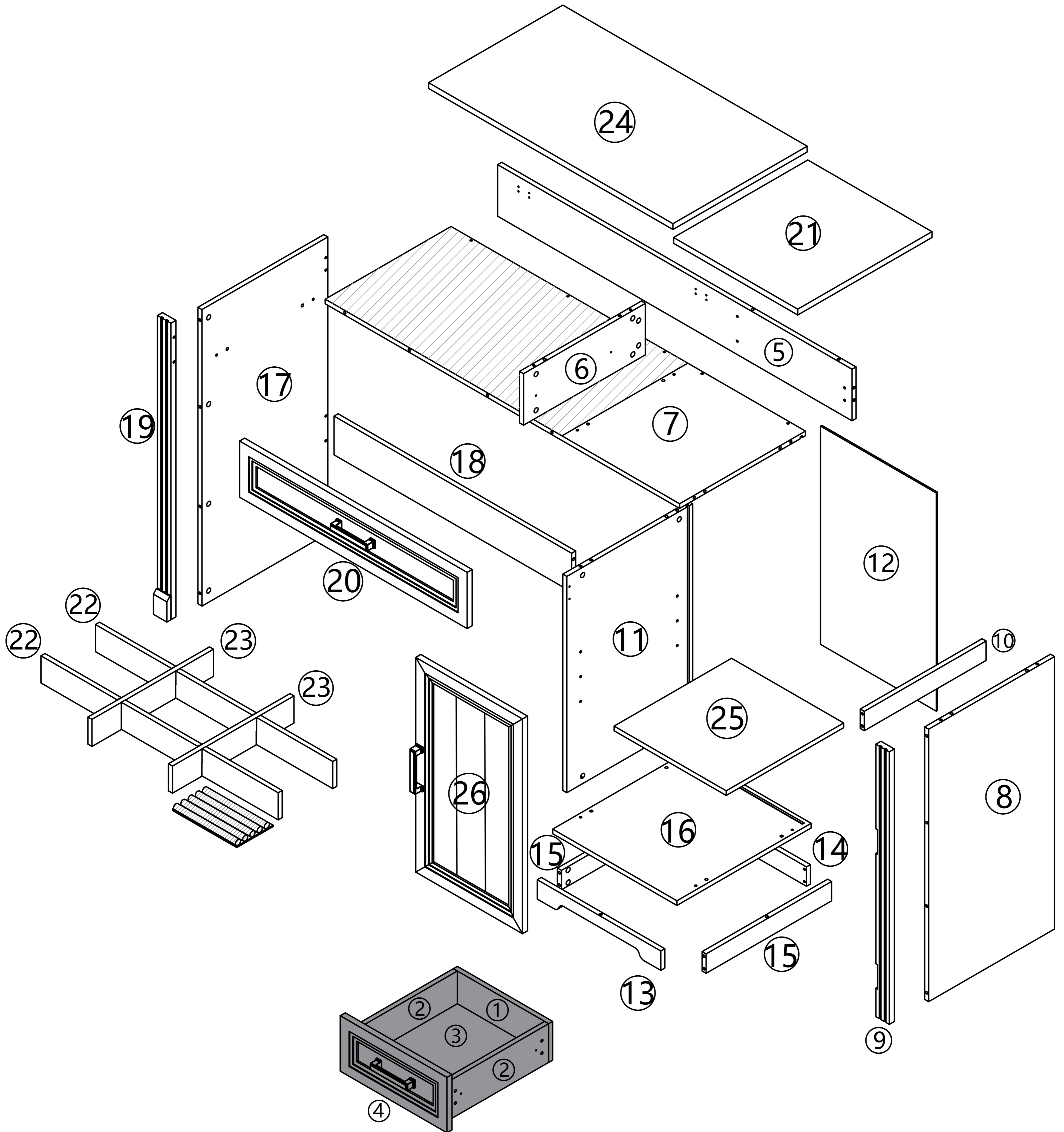


Double-head screwdriver, use as required

# Product structure decomposition

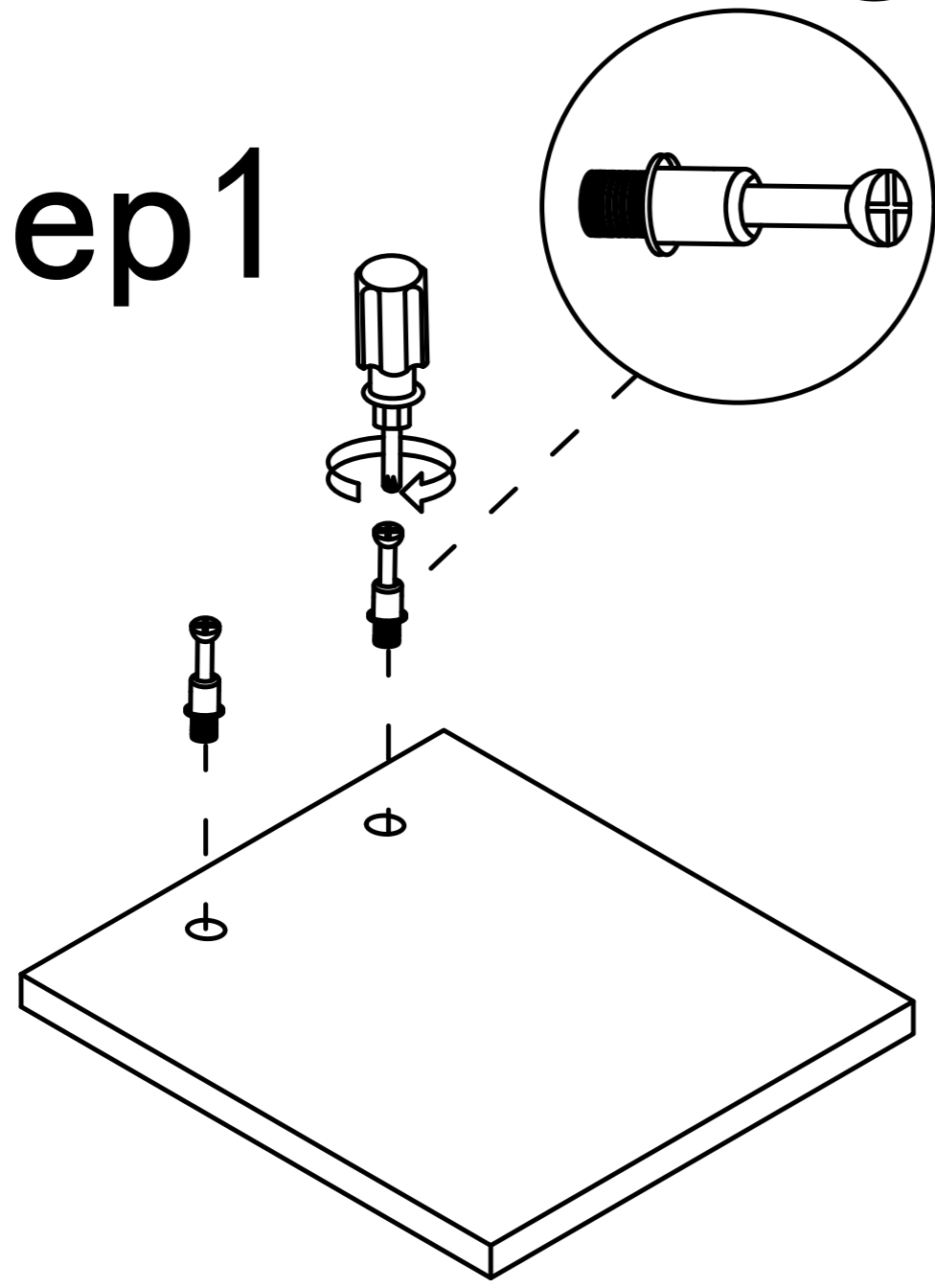


A		8pcs	B		8pcs
D		1pcs	E		2pcs
					4pcs

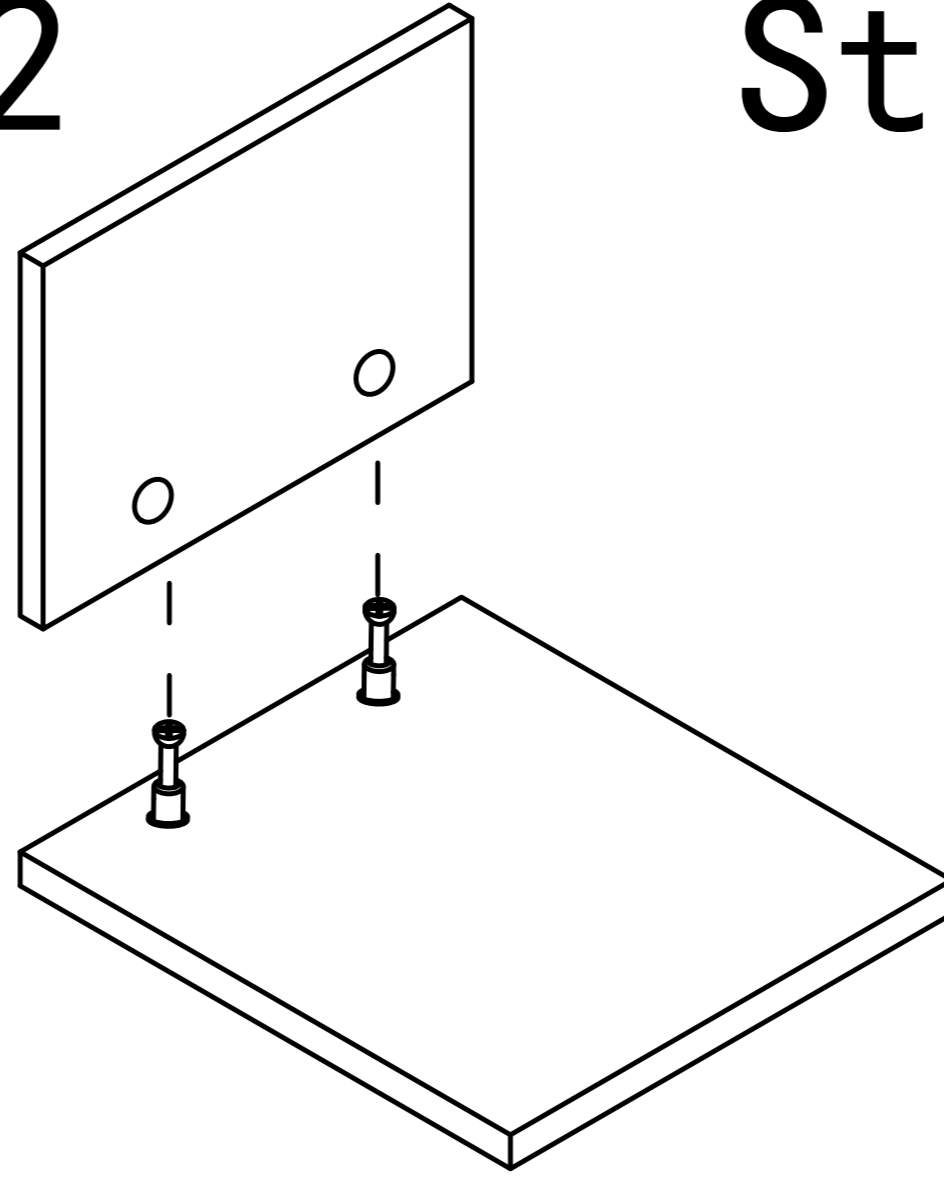


# Use parts A and B

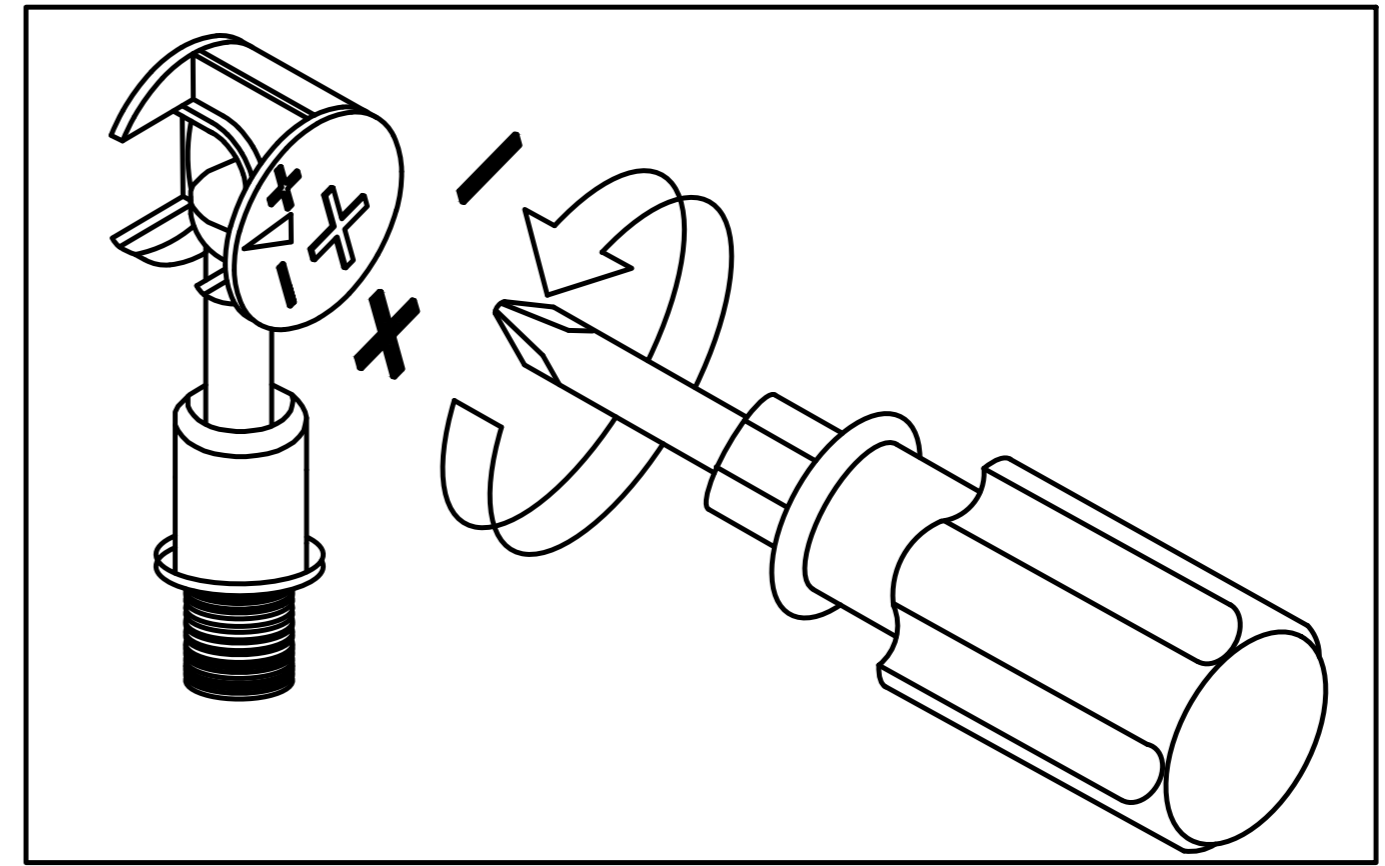
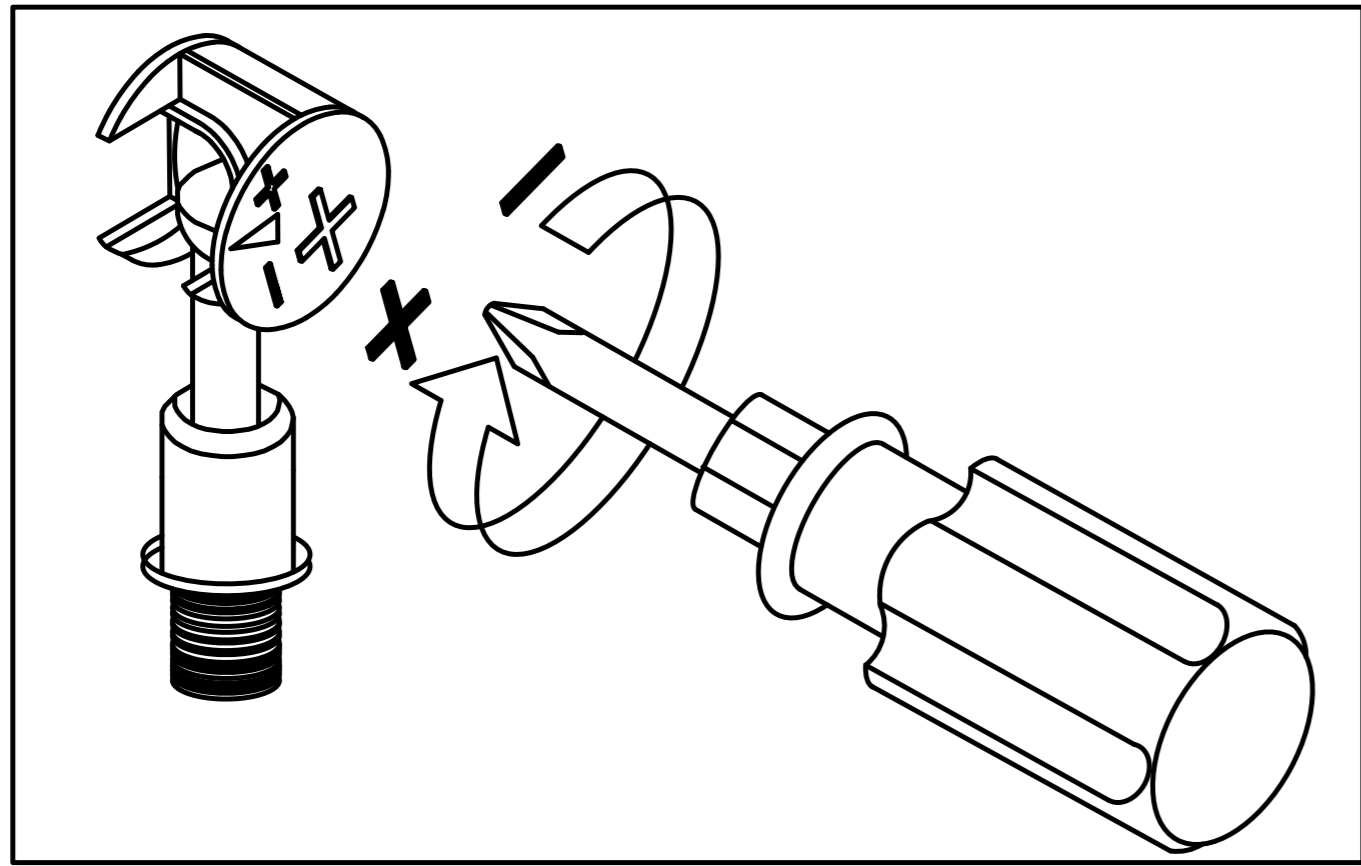
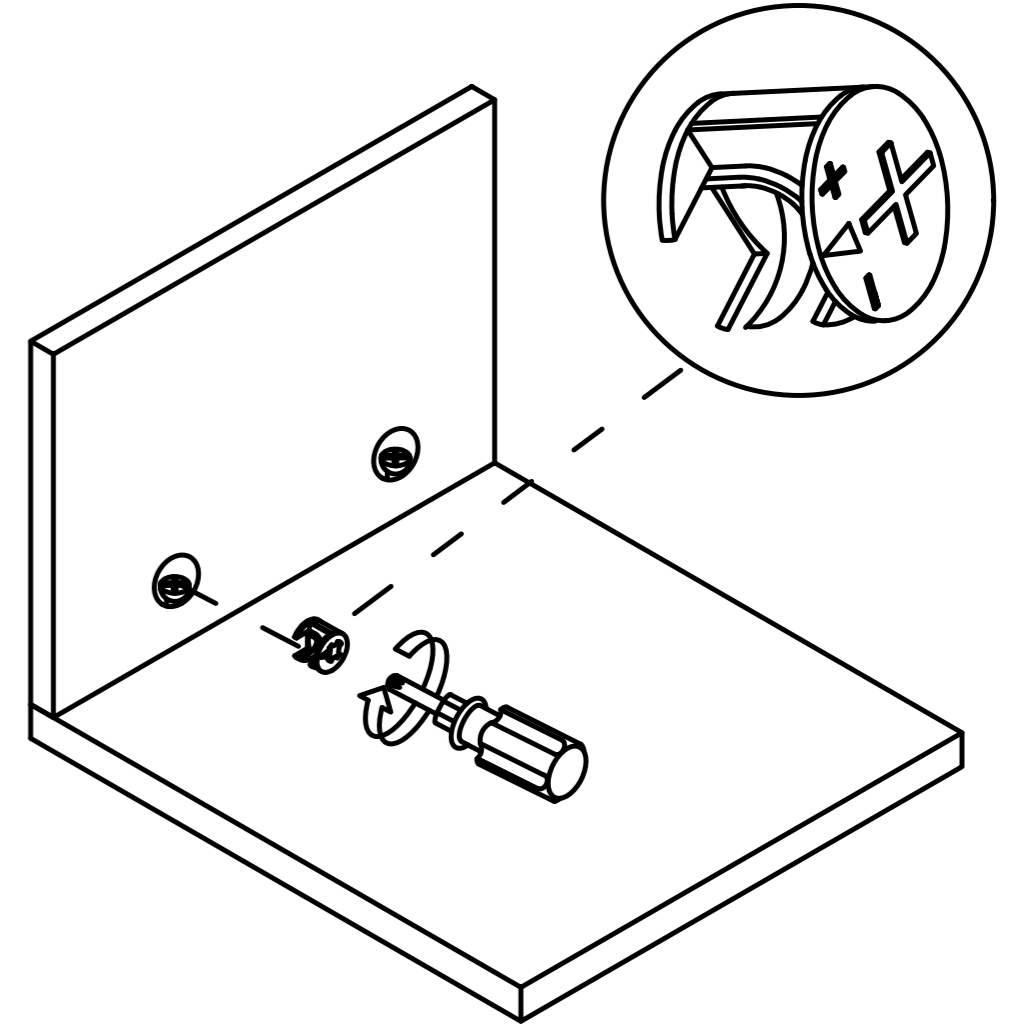
Step1



Step2



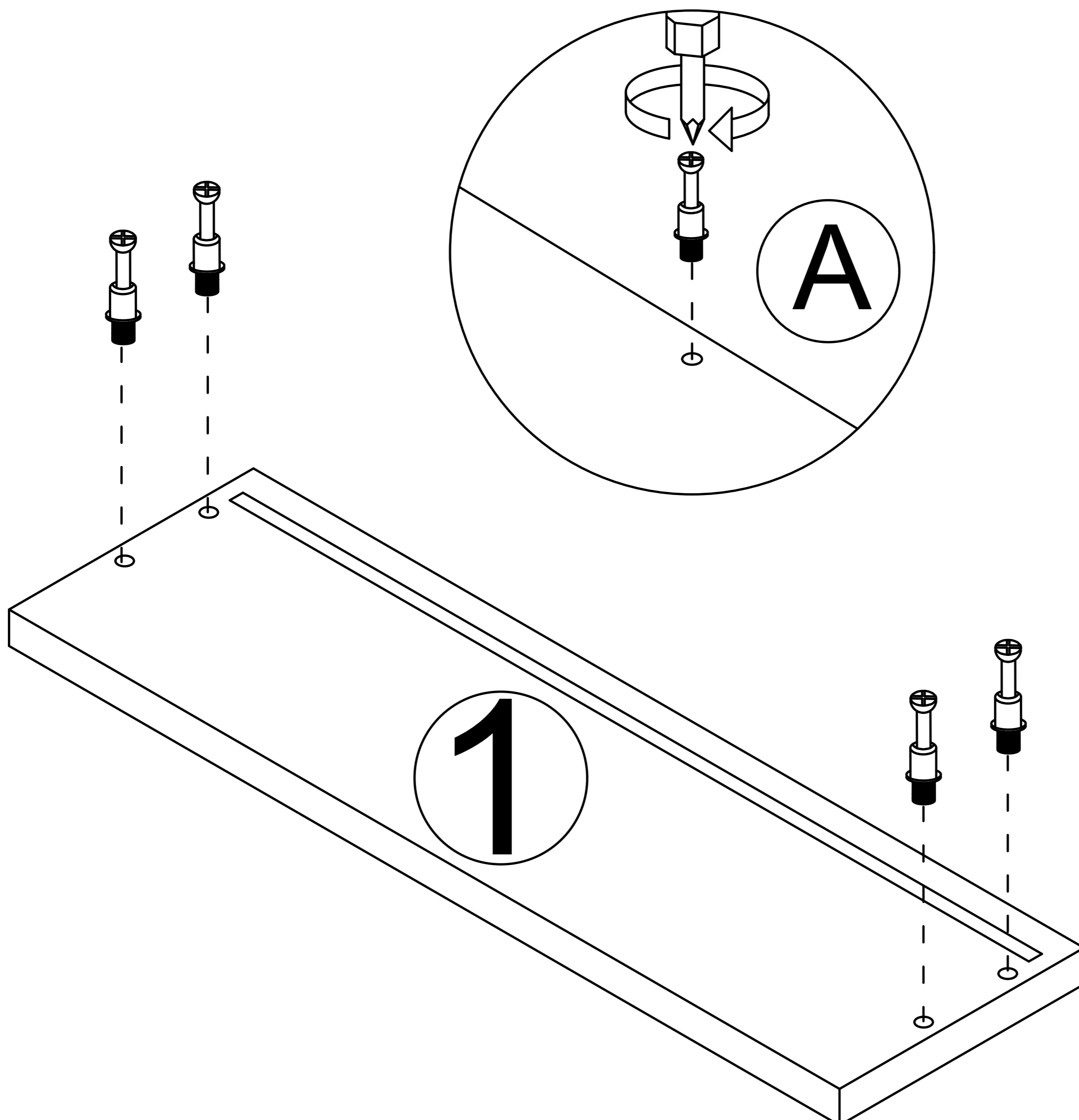
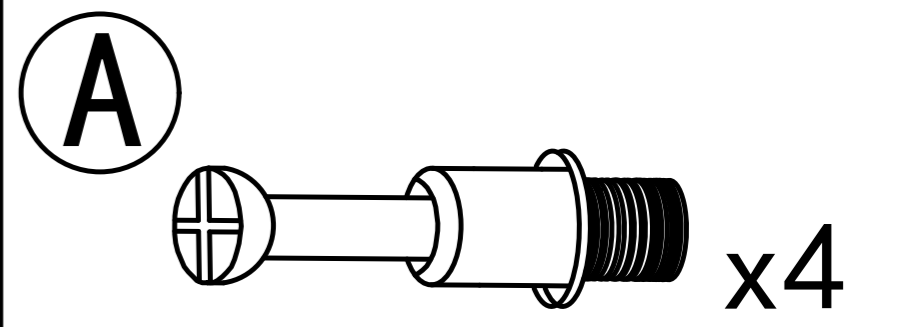
Step3



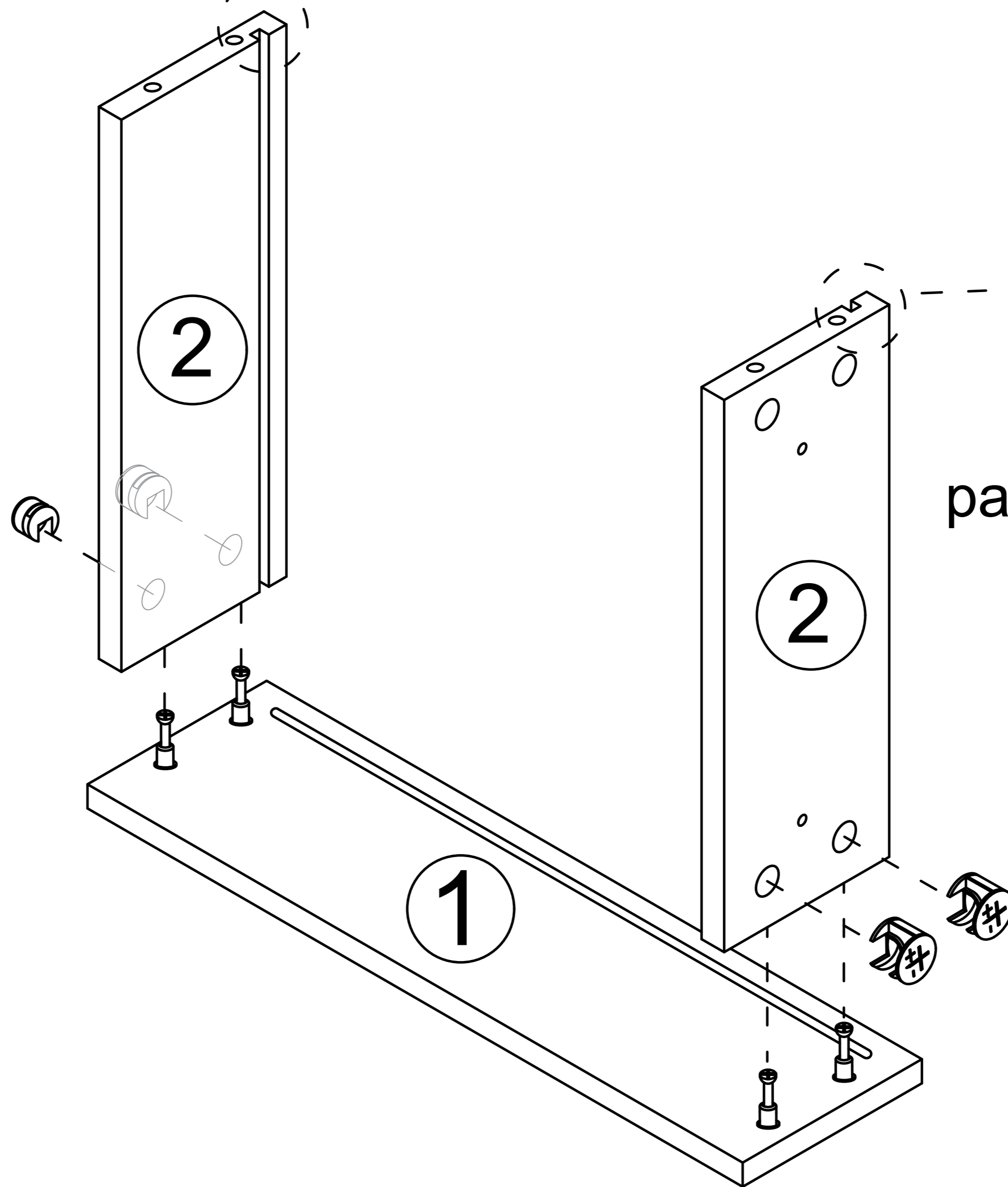
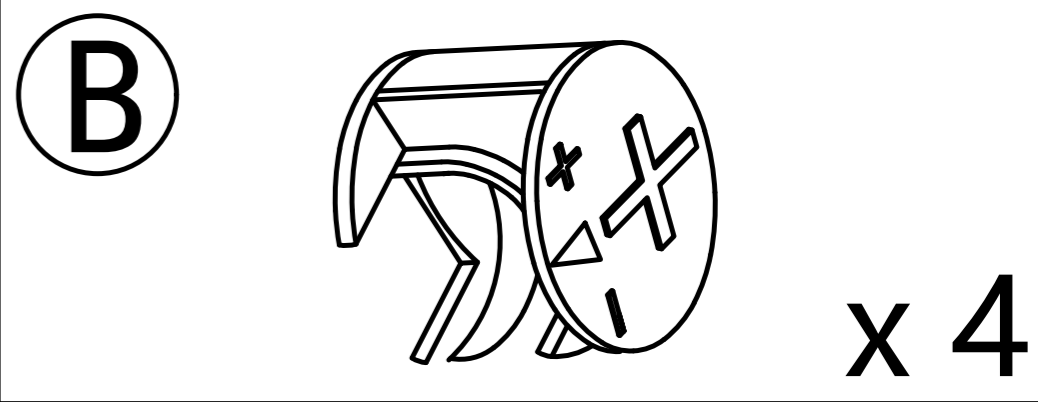
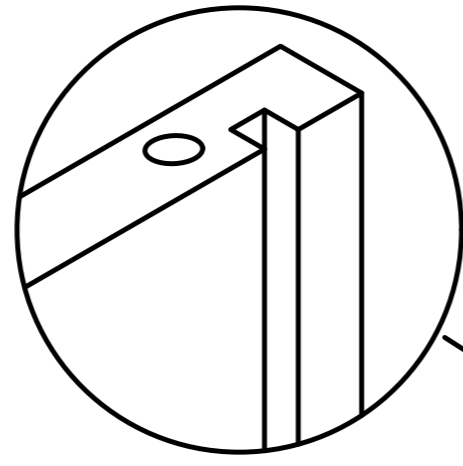
Use a screwdriver to lock in the direction of the "+" sign

Disassemble along the direction of "-" sign

Step 1

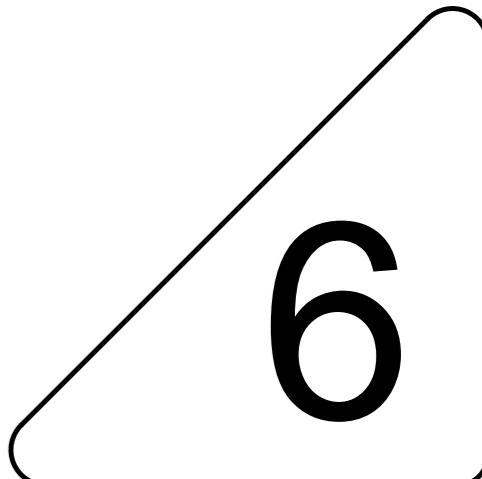
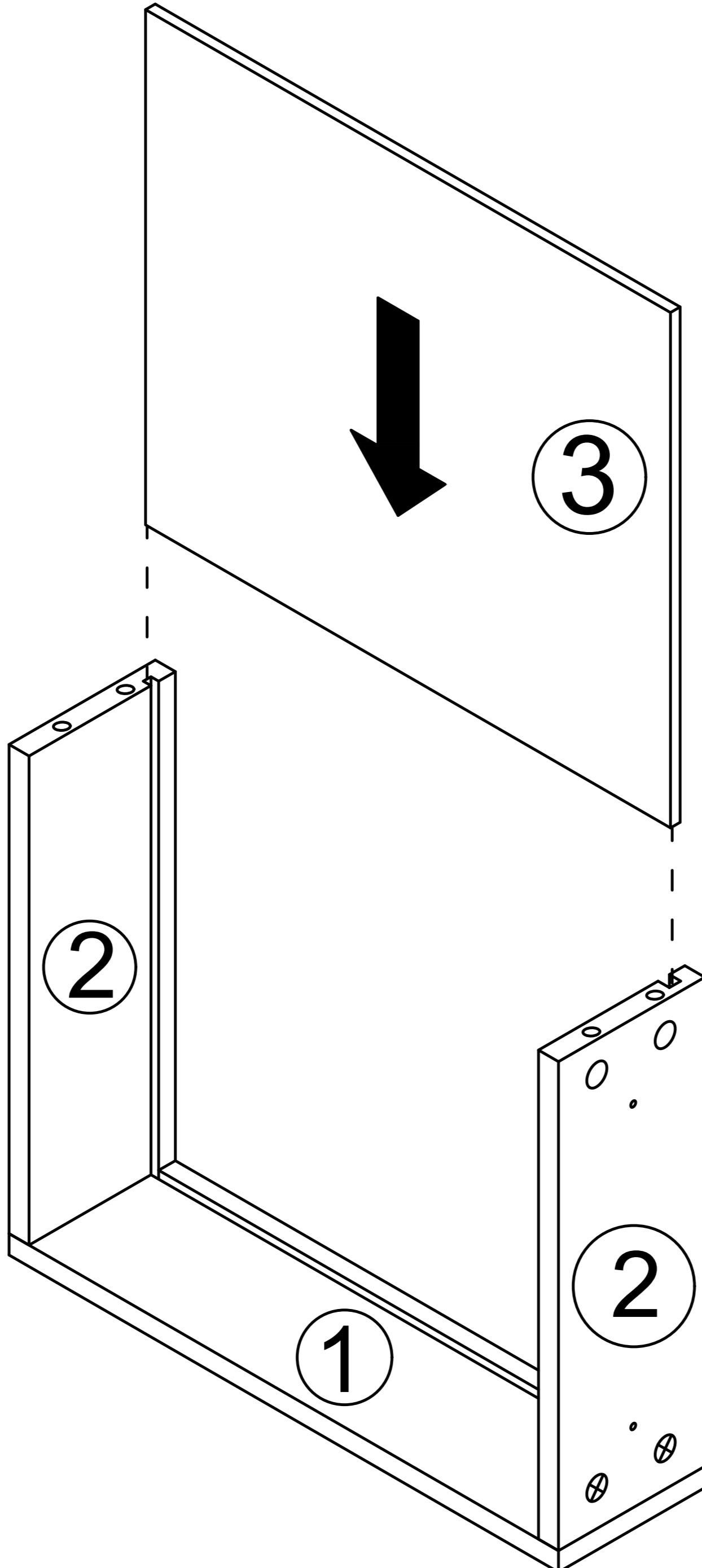
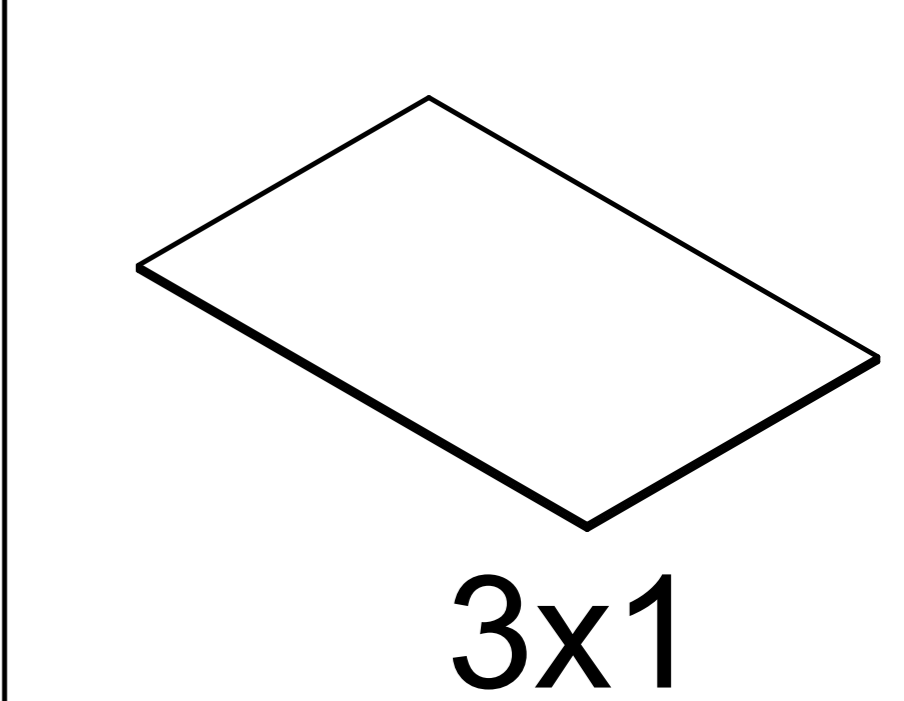


Step 2

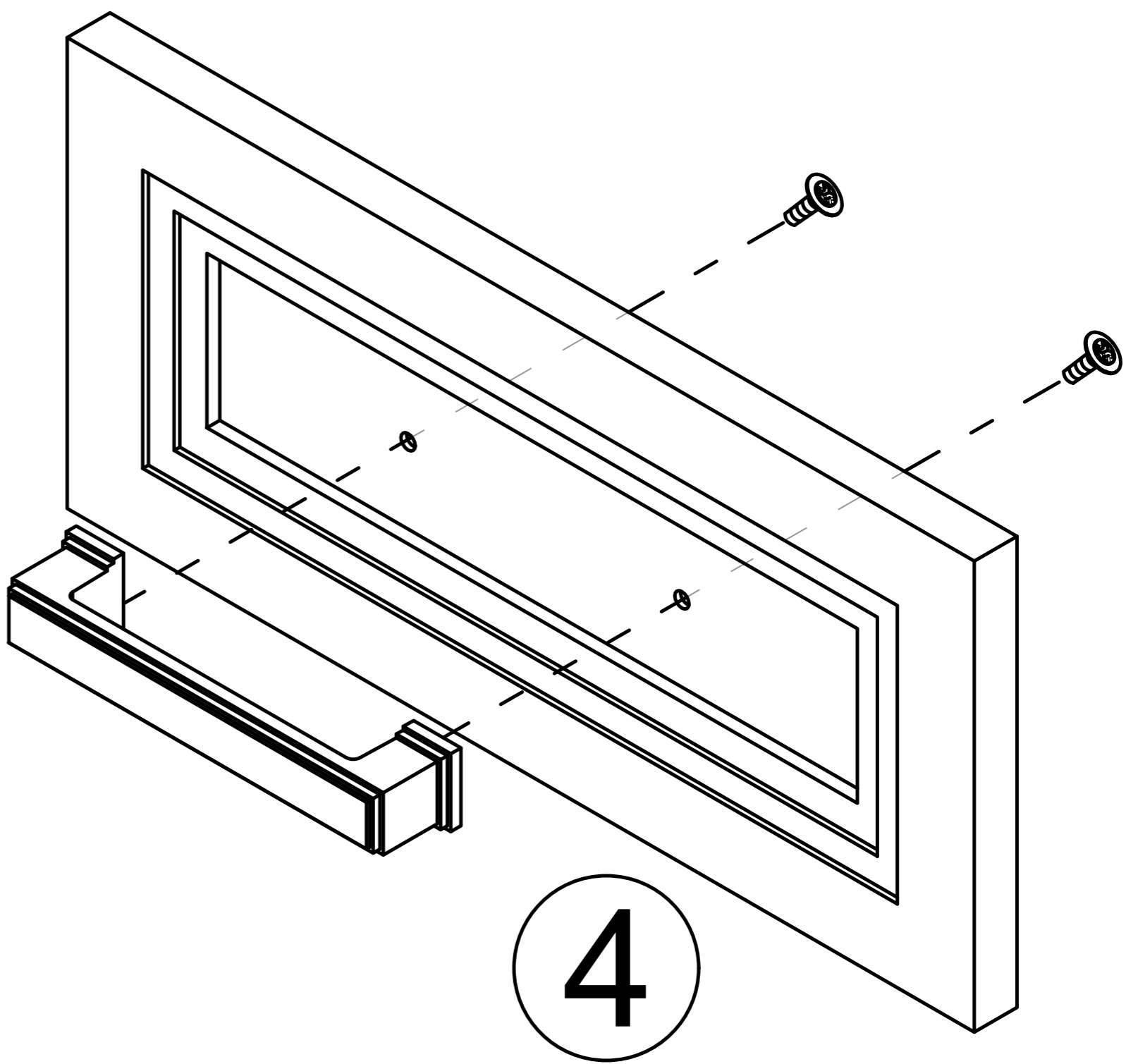
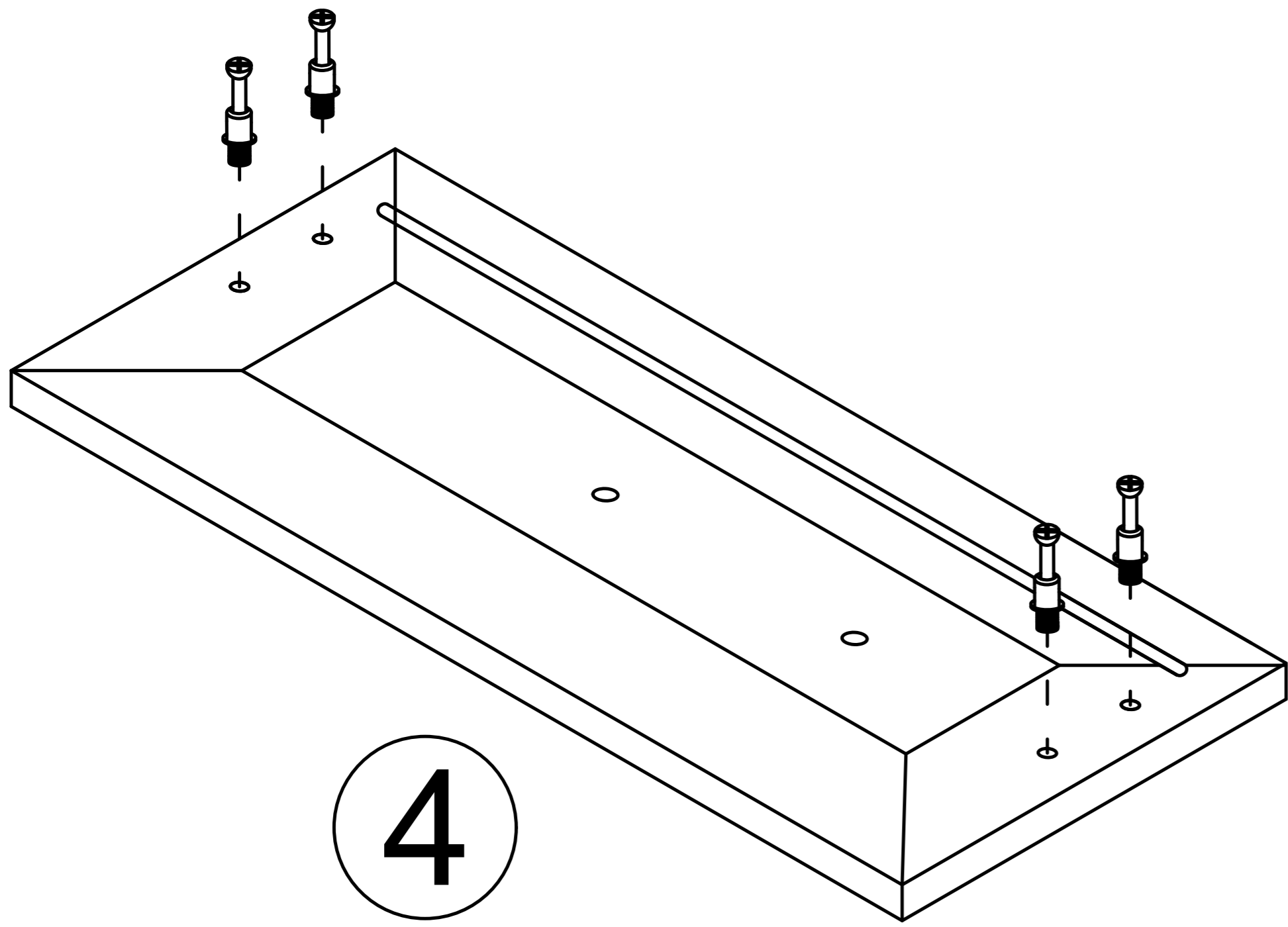
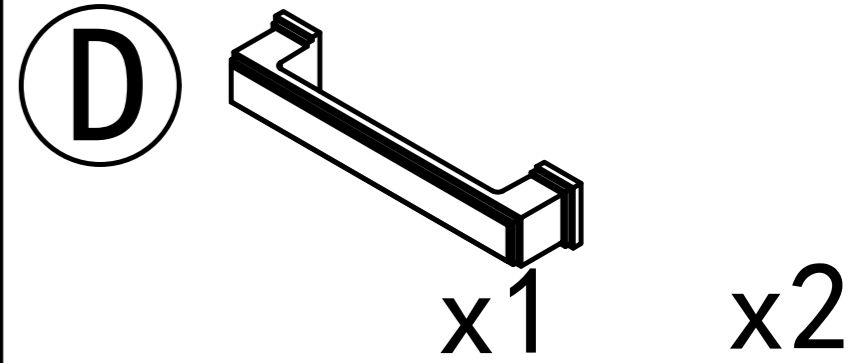
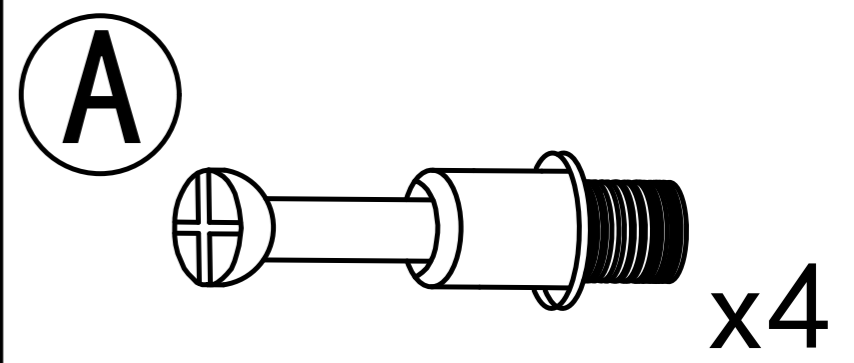


pay attention to

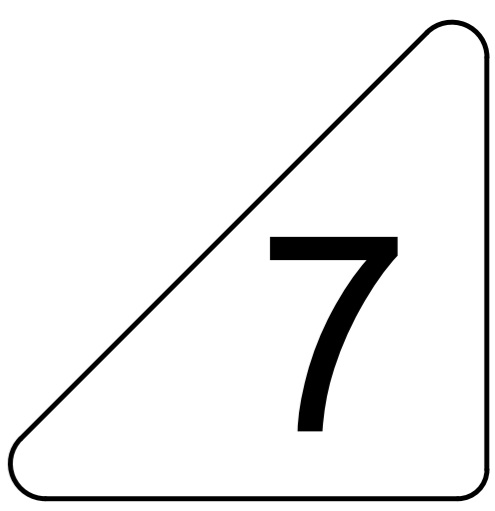
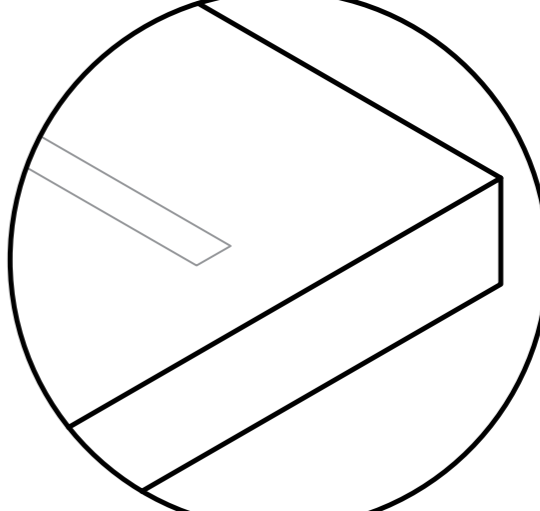
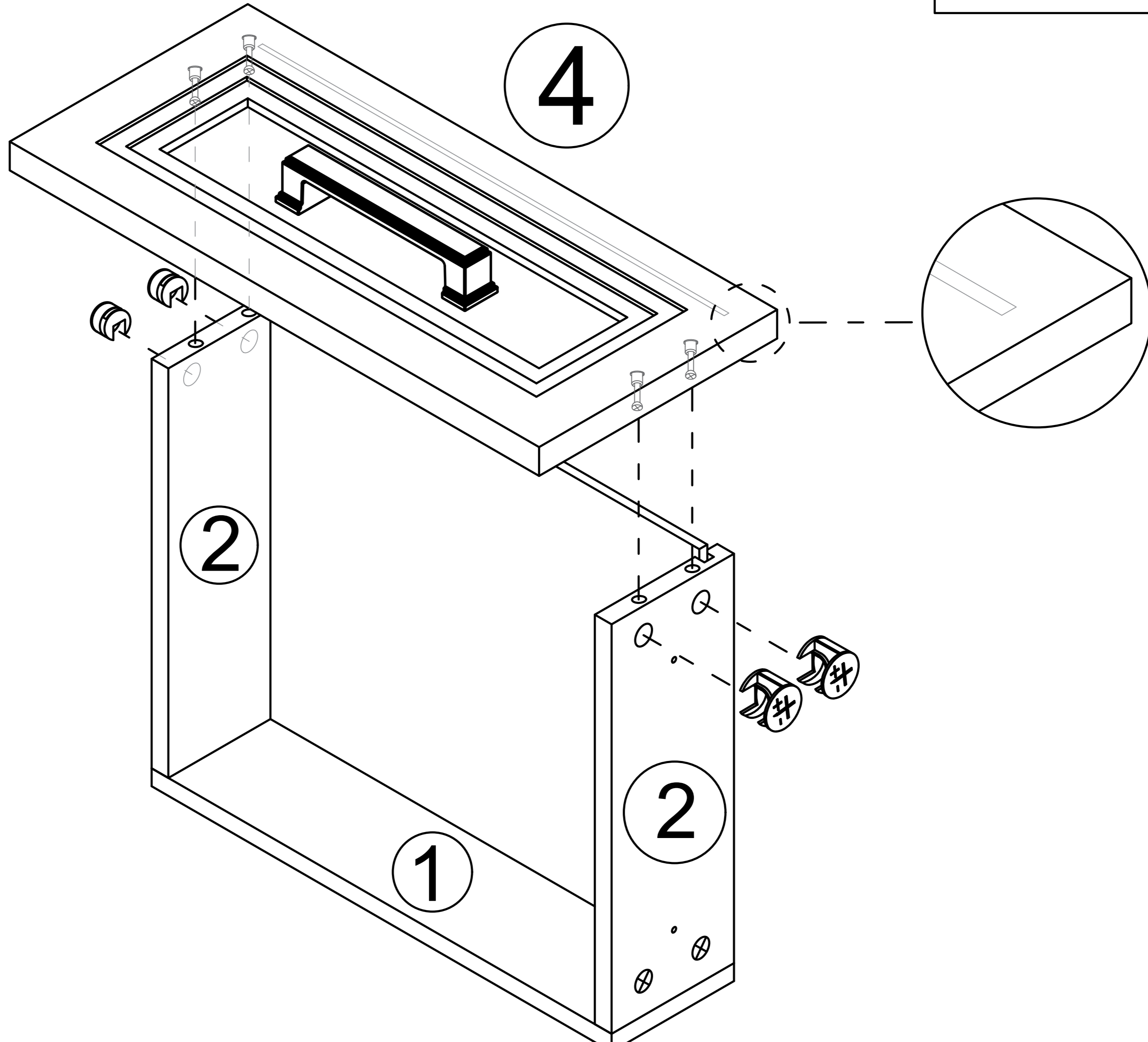
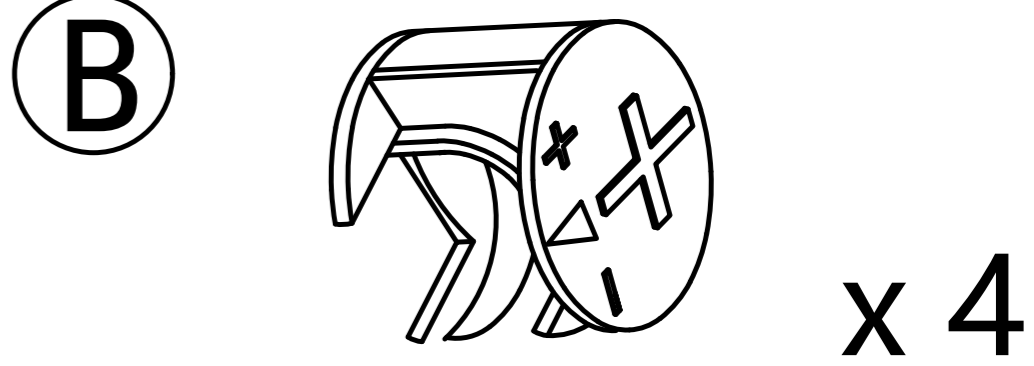
Step 3



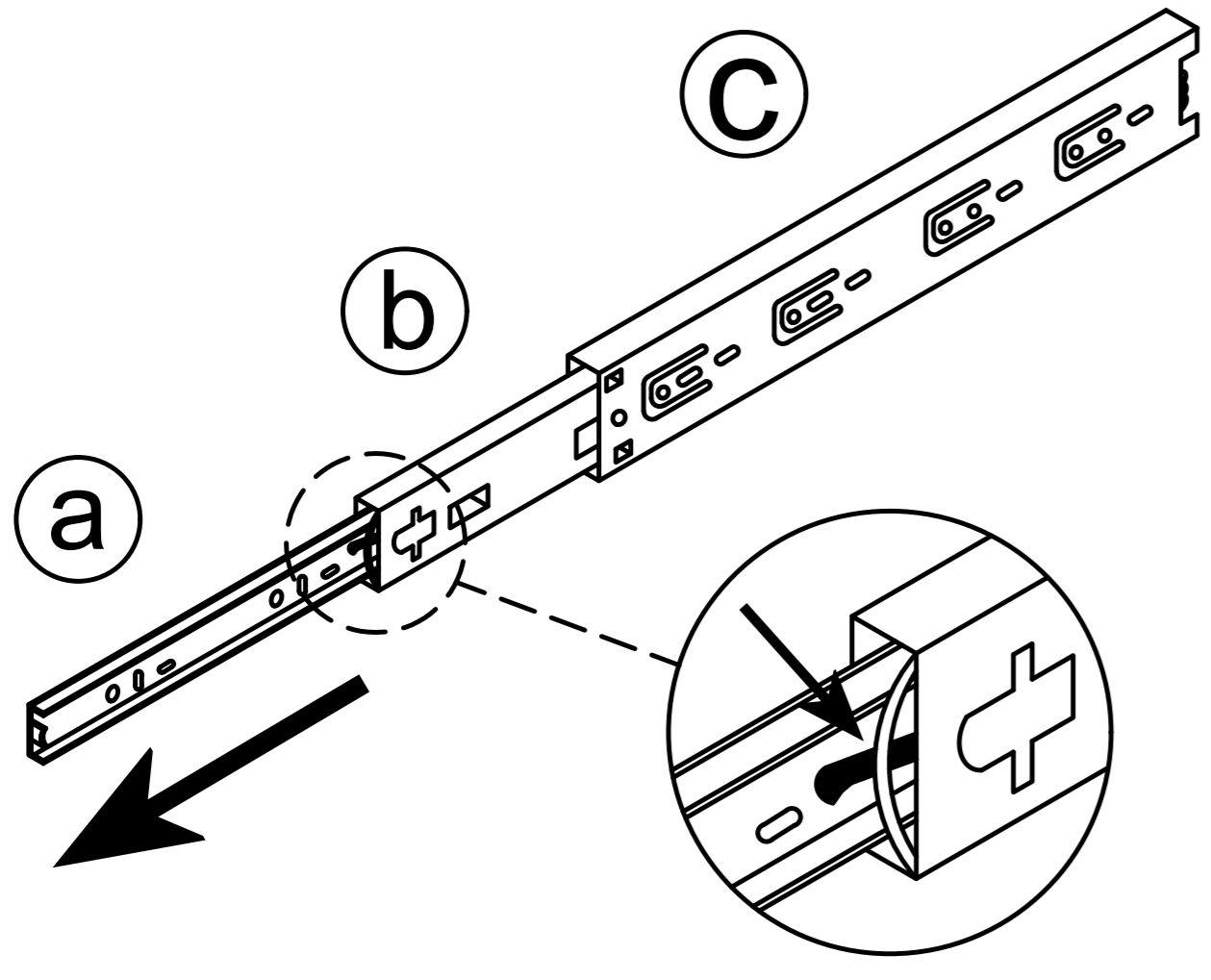
Step 4



Step 5

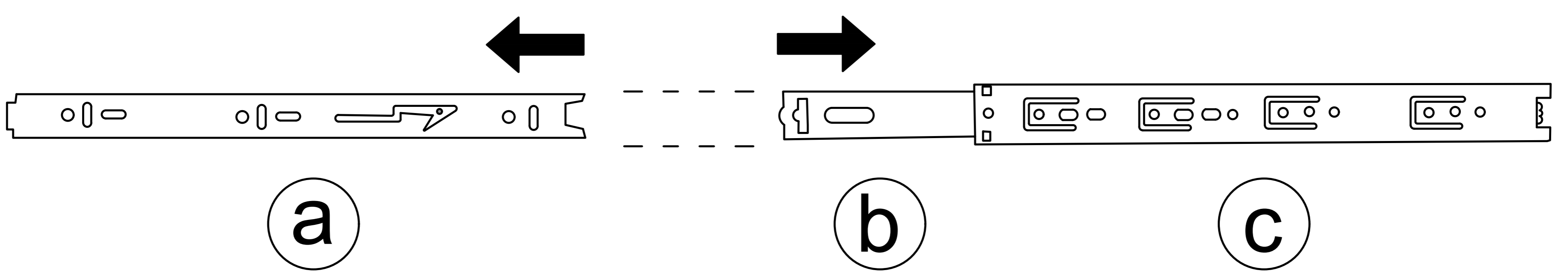
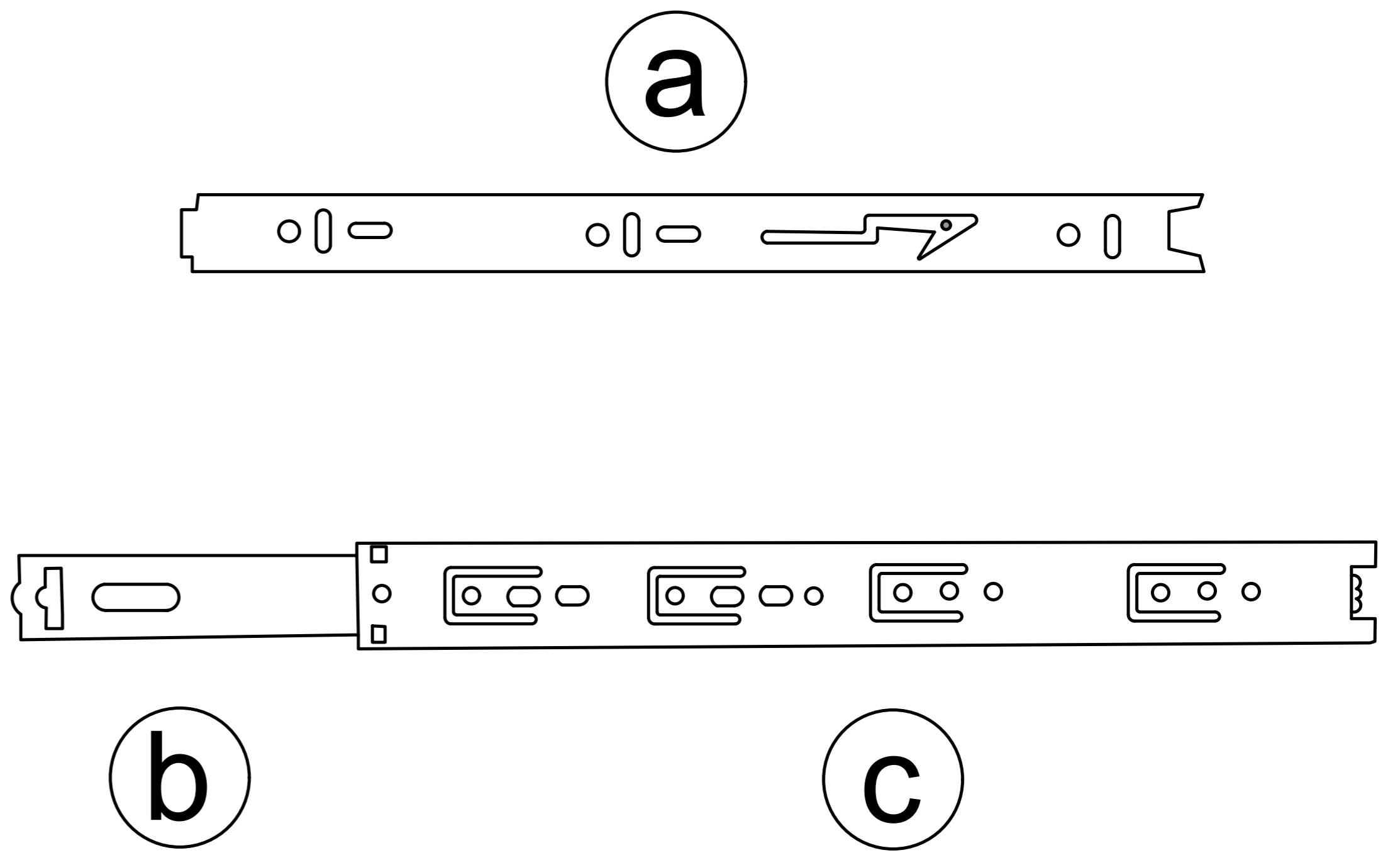


Drawer rail breakdown diagram

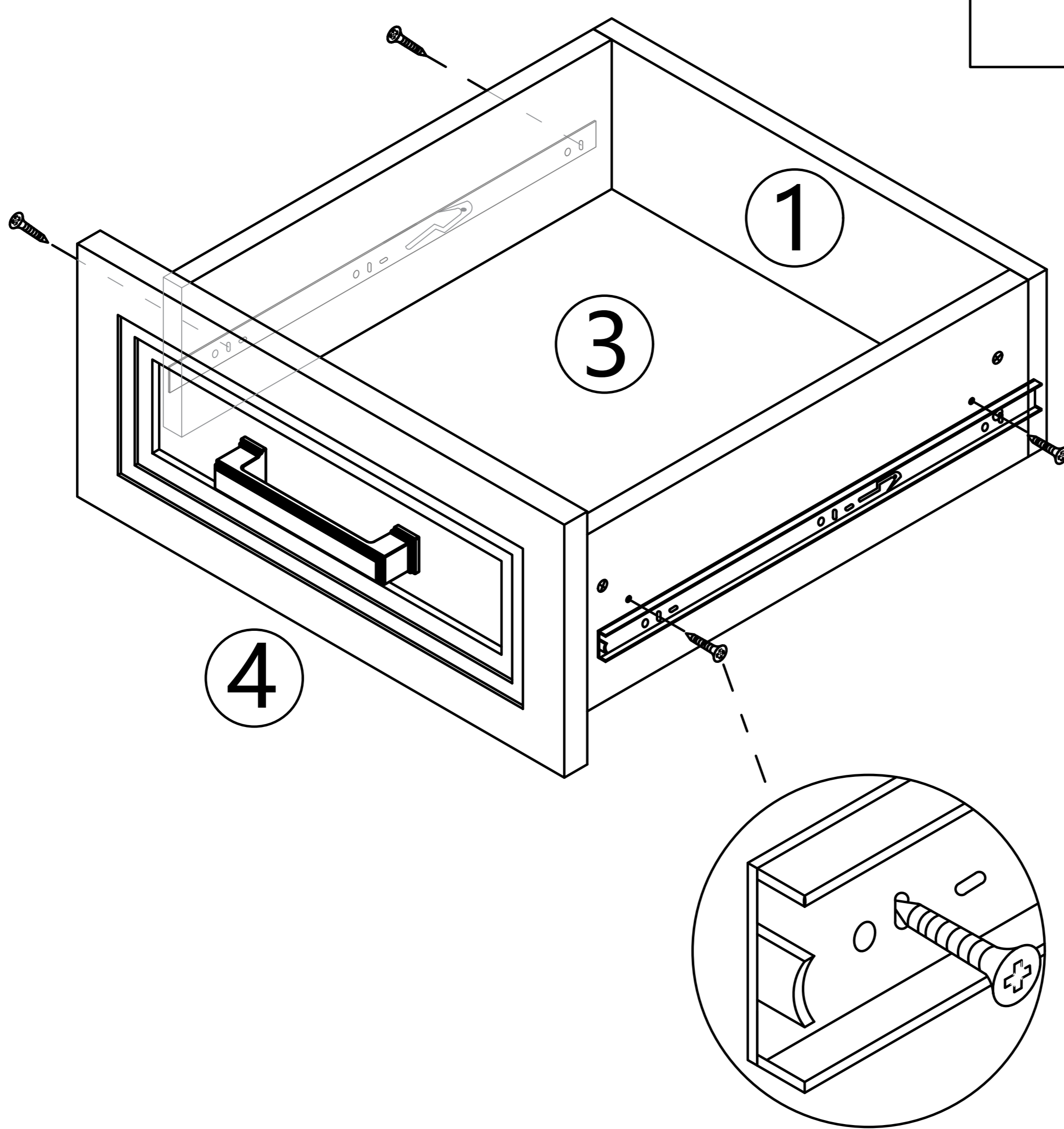
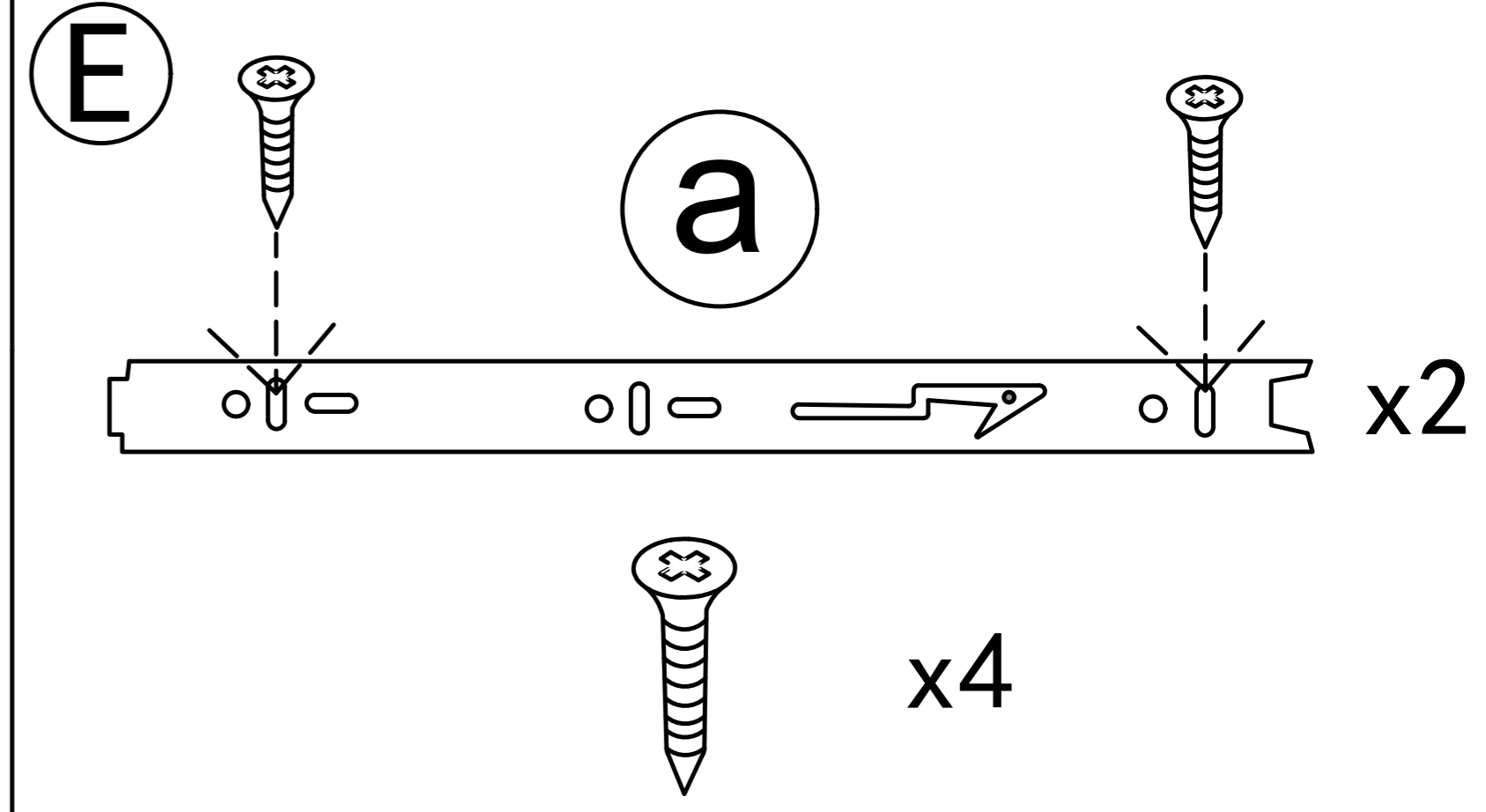


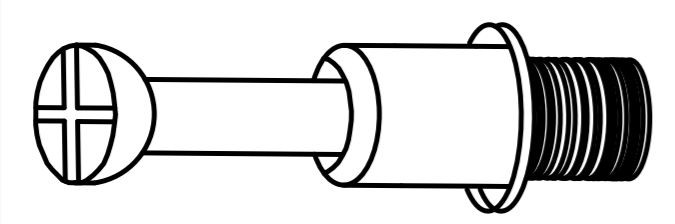
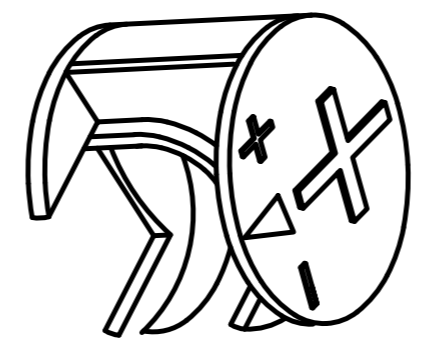
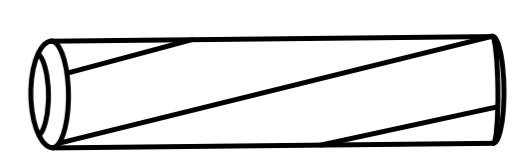
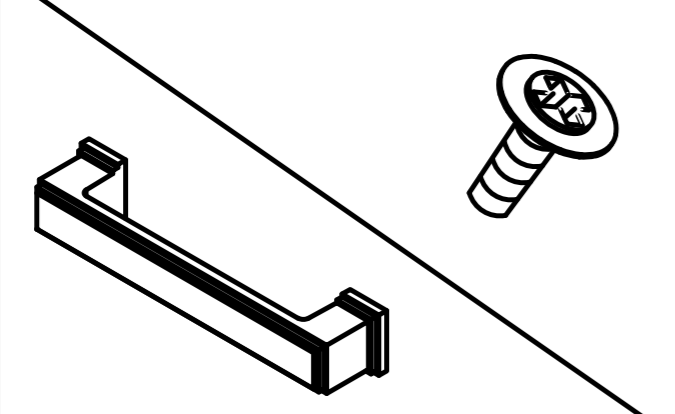
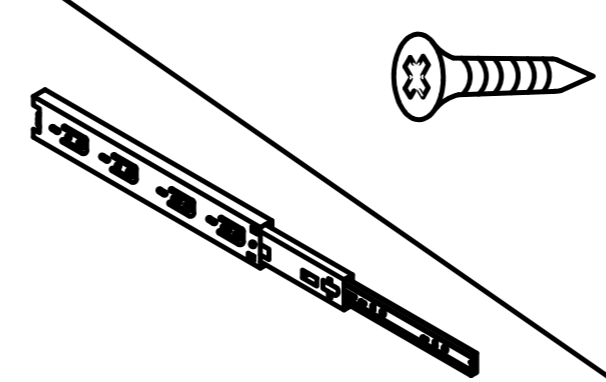
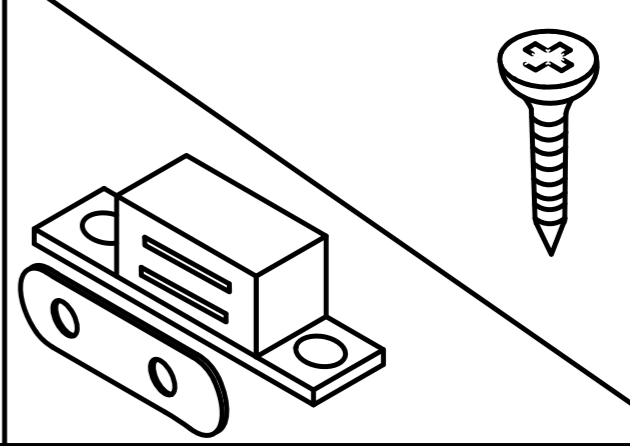

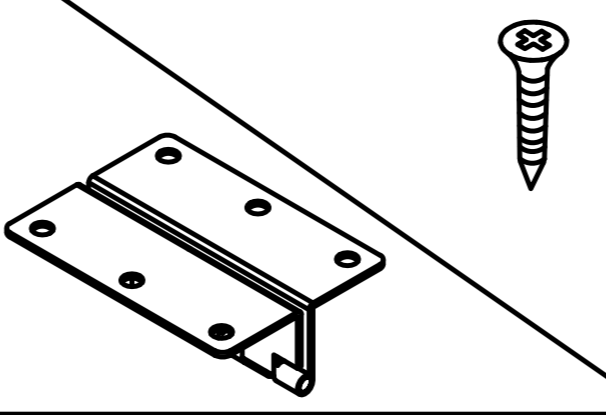
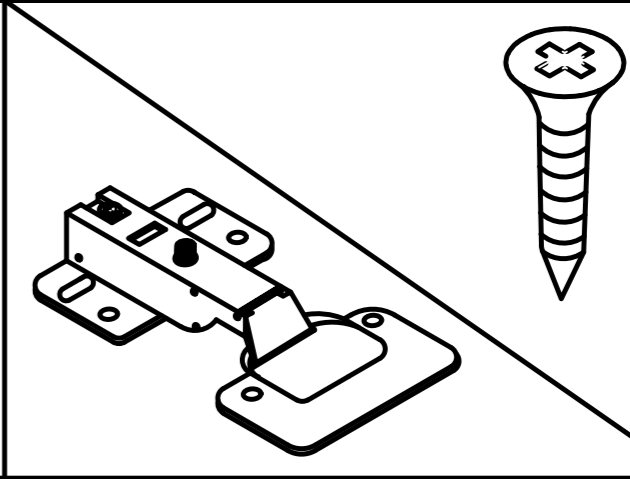
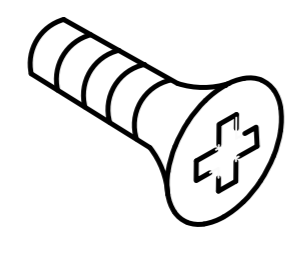
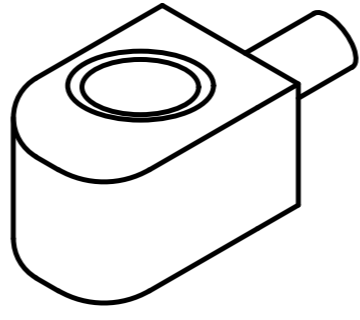
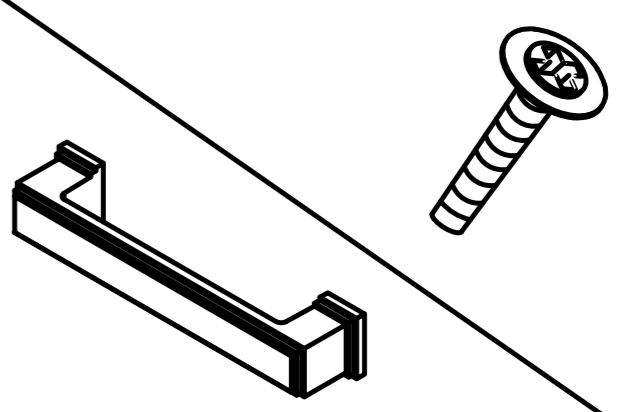
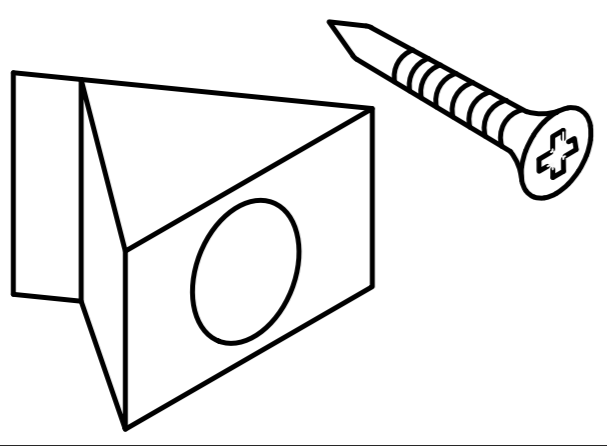
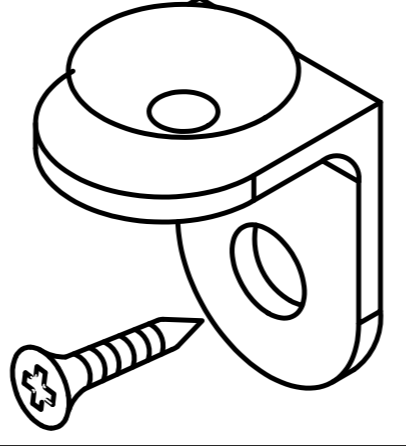
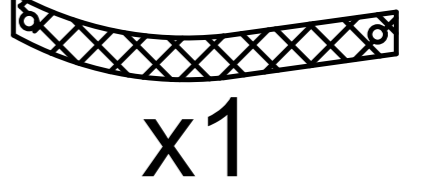


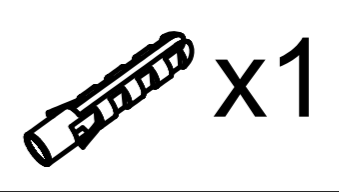
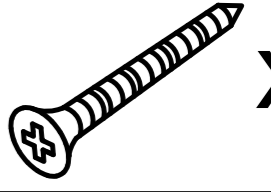
Step 1 : Pull the rails apart

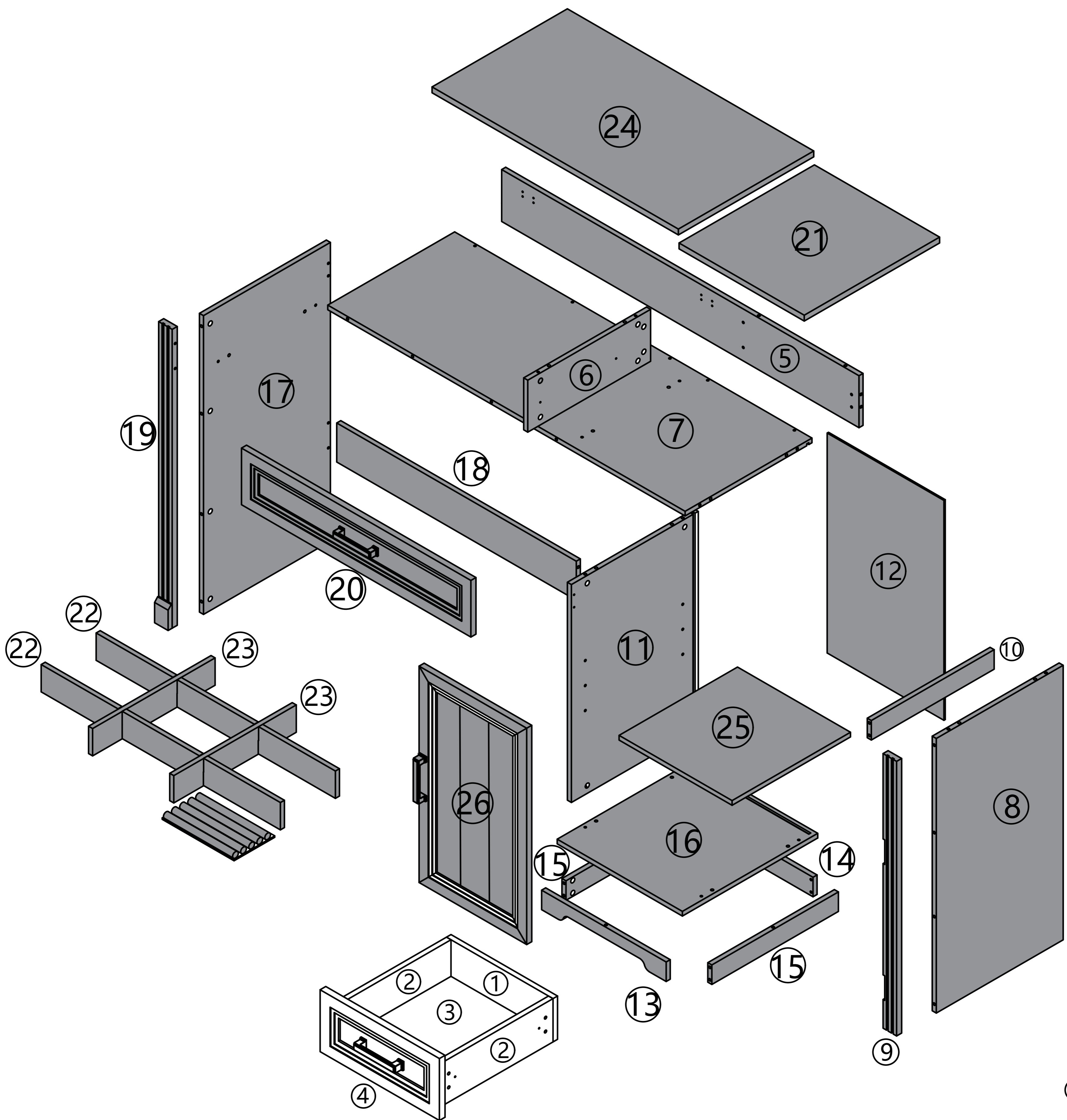
Step 2 : Push the nylon buckle outward @



Step 6

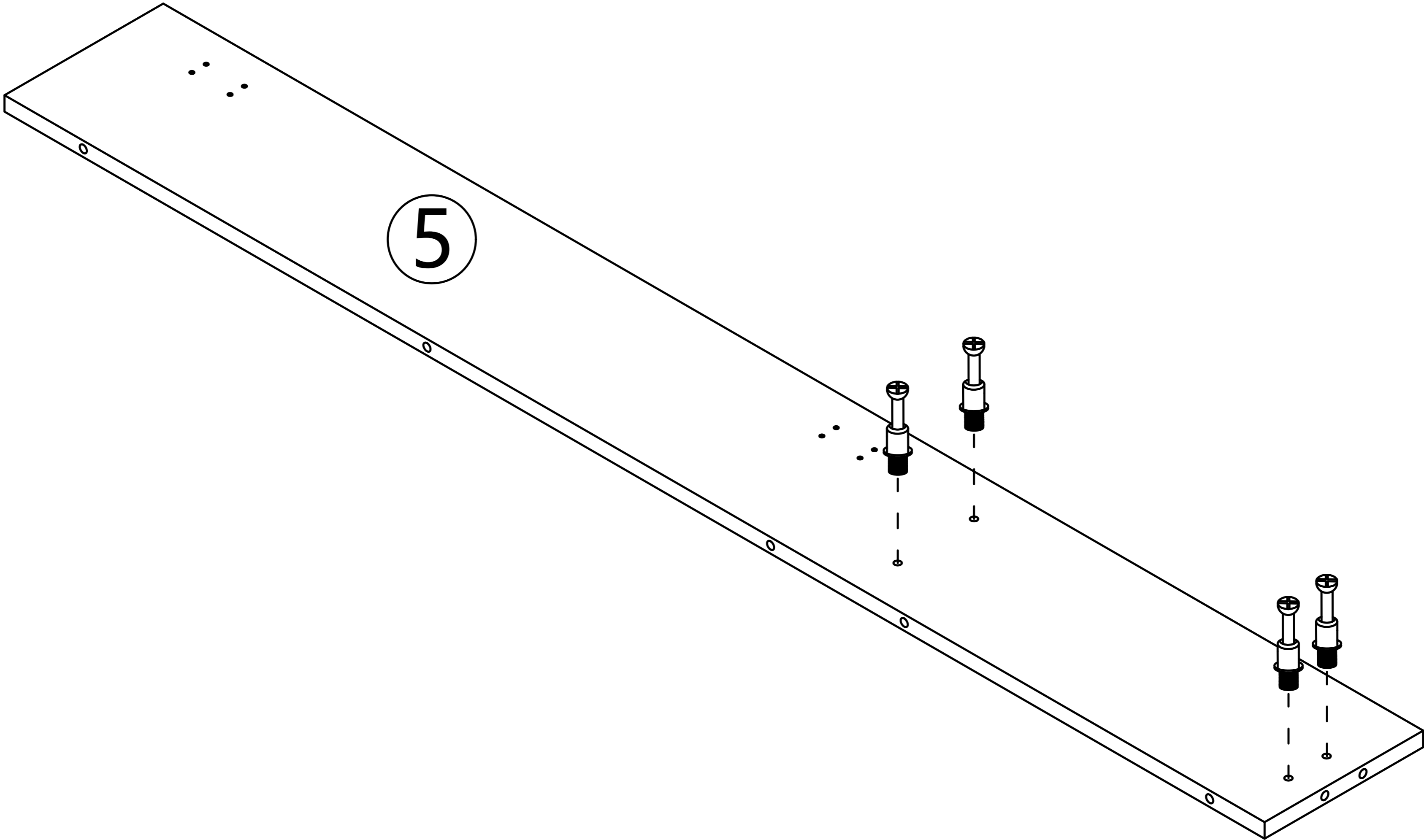
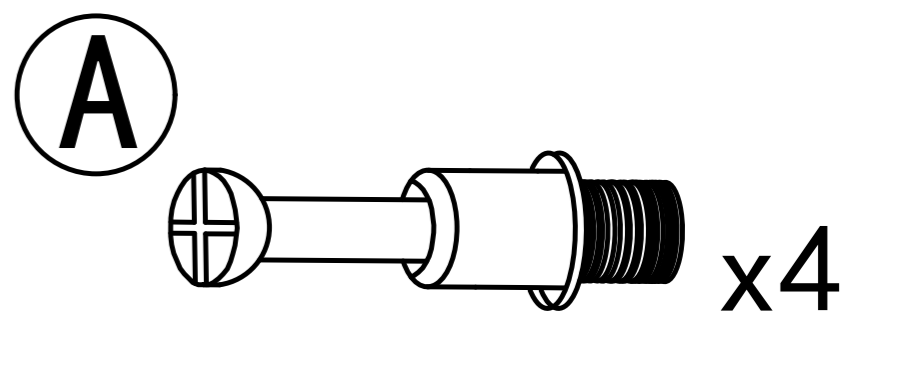


<b>A</b>		63pcs	<b>B</b>		63pcs	<b>C</b>		16pcs
<b>D</b>		2pcs 1pcs	<b>E</b>		6pcs 2pcs	<b>F</b>		4pcs 1pcs
<b>G</b>		16pcs	<b>H</b>		12pcs 2pcs	<b>I</b>		4pcs 2pcs
<b>J</b>		8pcs	<b>K</b>		4pcs	<b>L</b>		2pcs 1pcs
<b>M</b>		4pcs	<b>N</b>		1pcs	<b>O</b>	 x1  x1  x2  x1  x1	



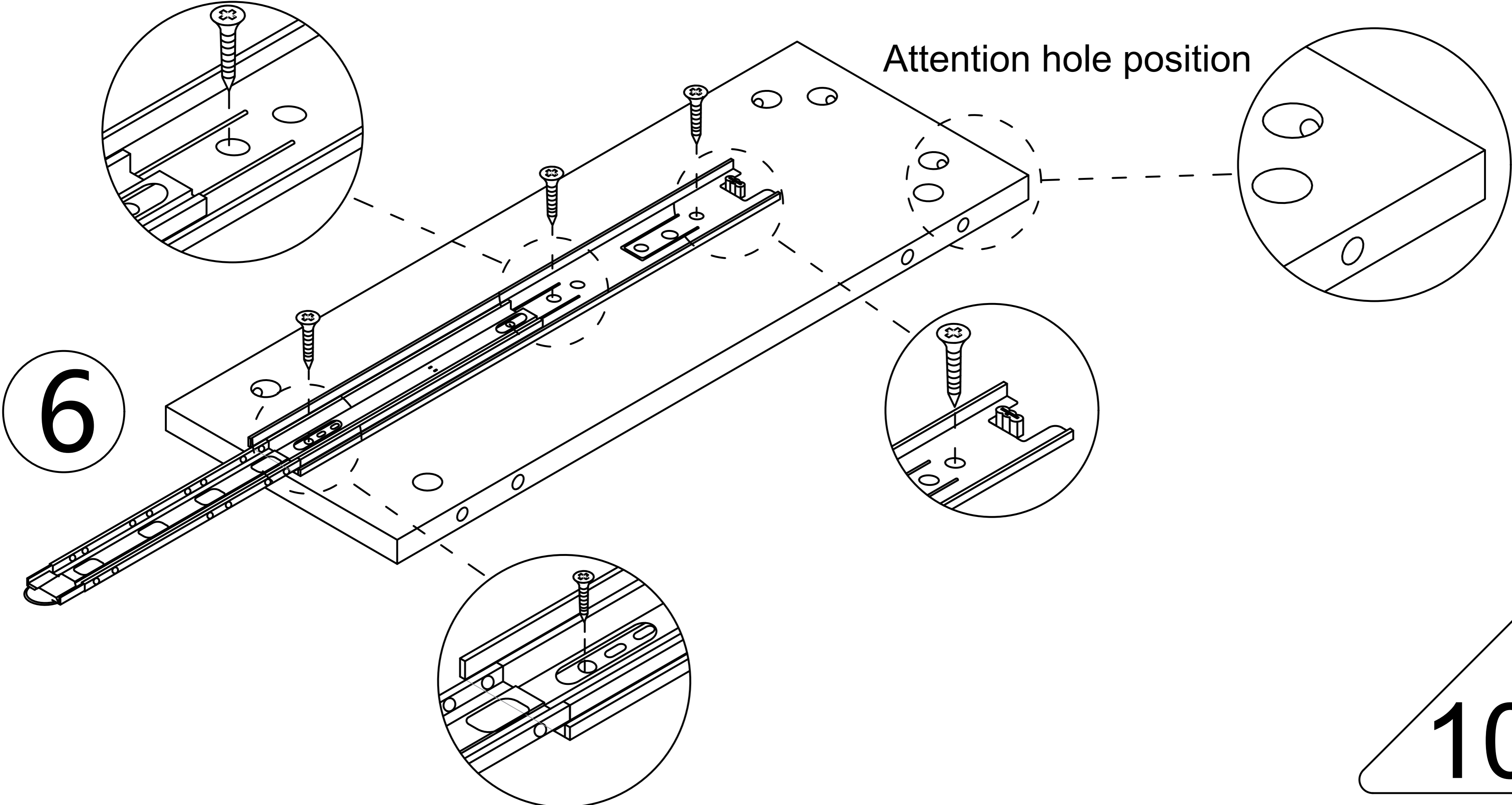
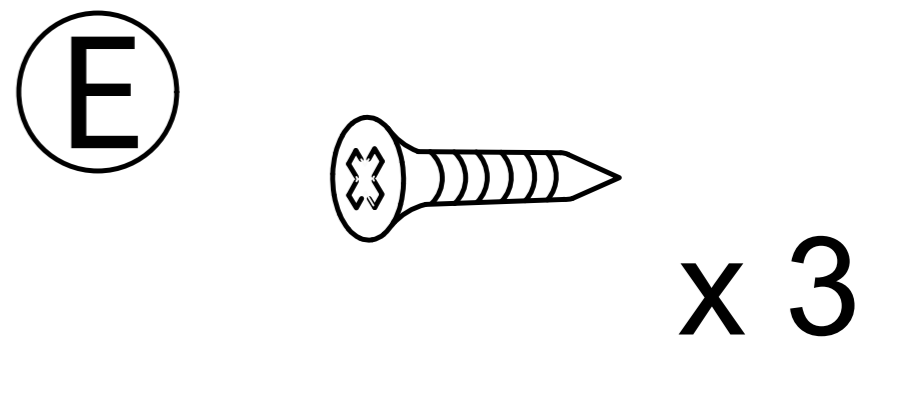
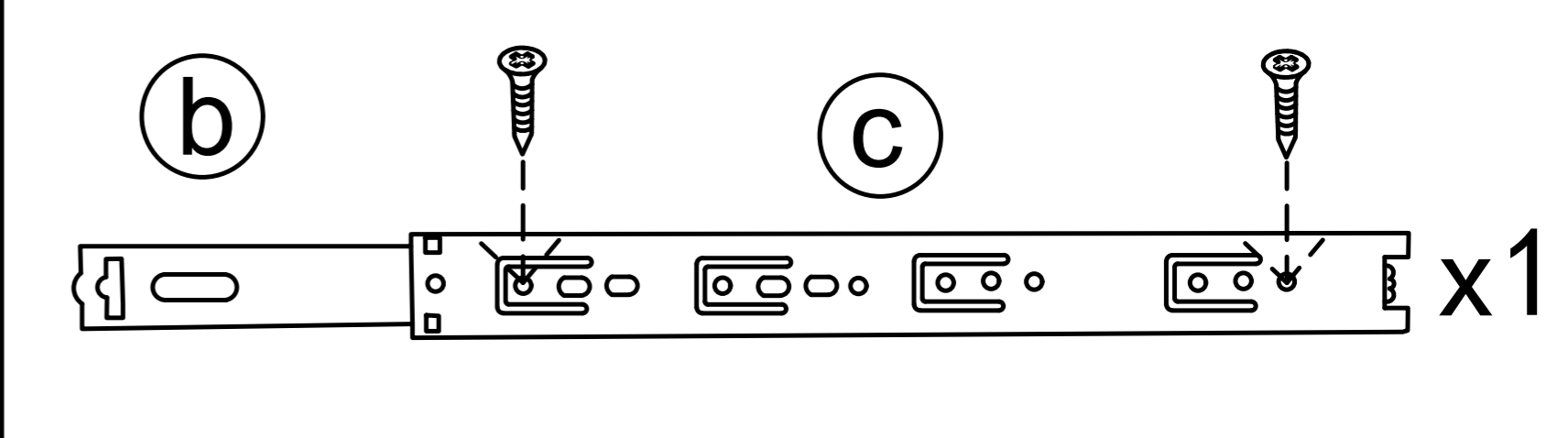
9

Step 7

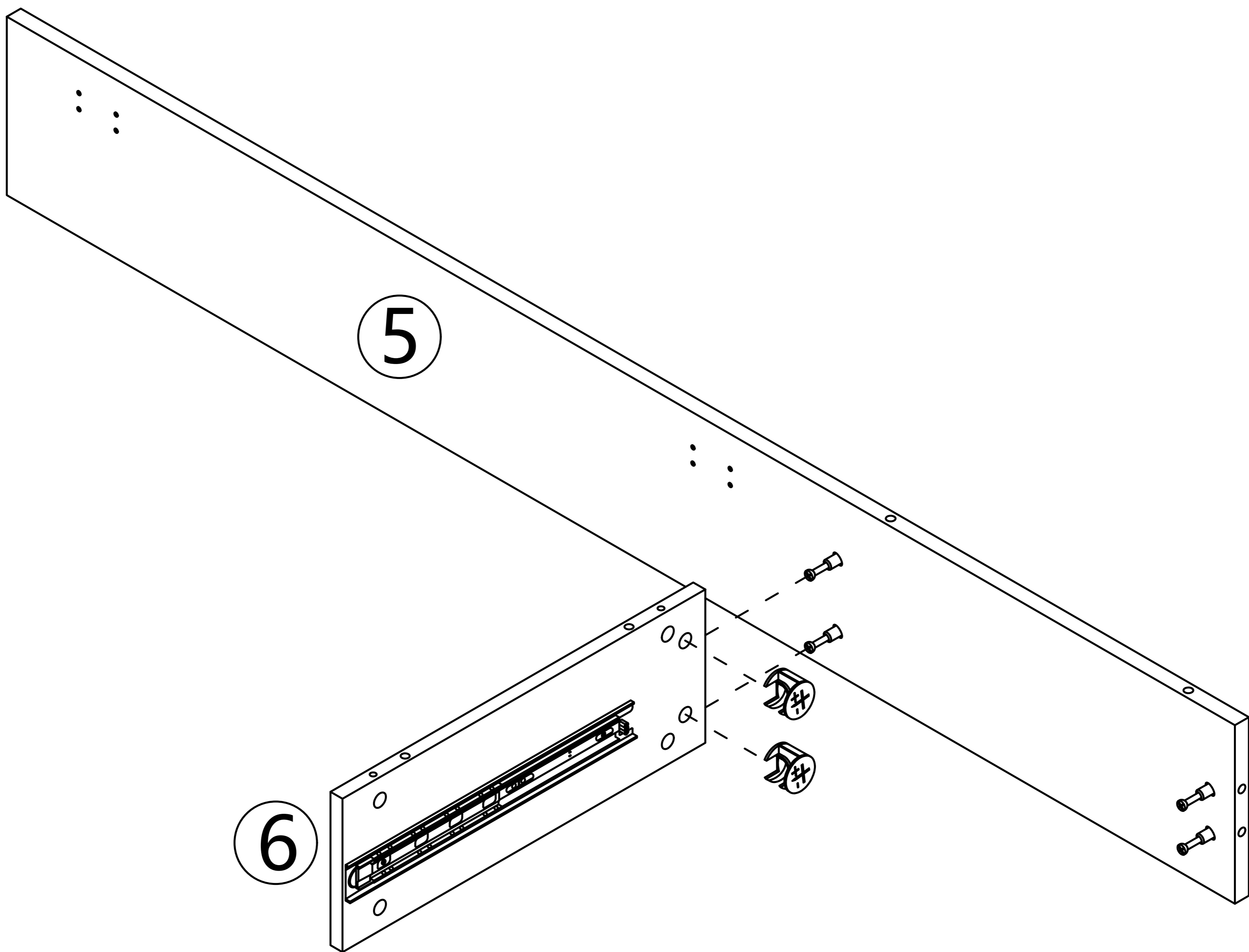
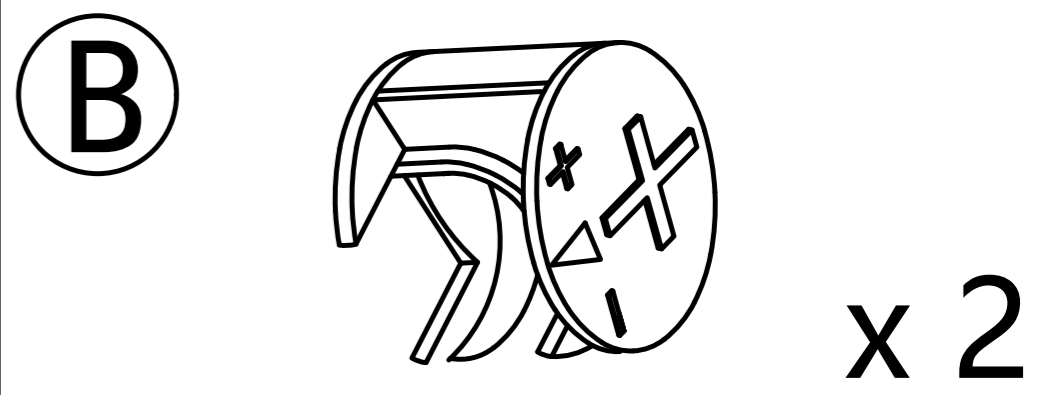


Step 8

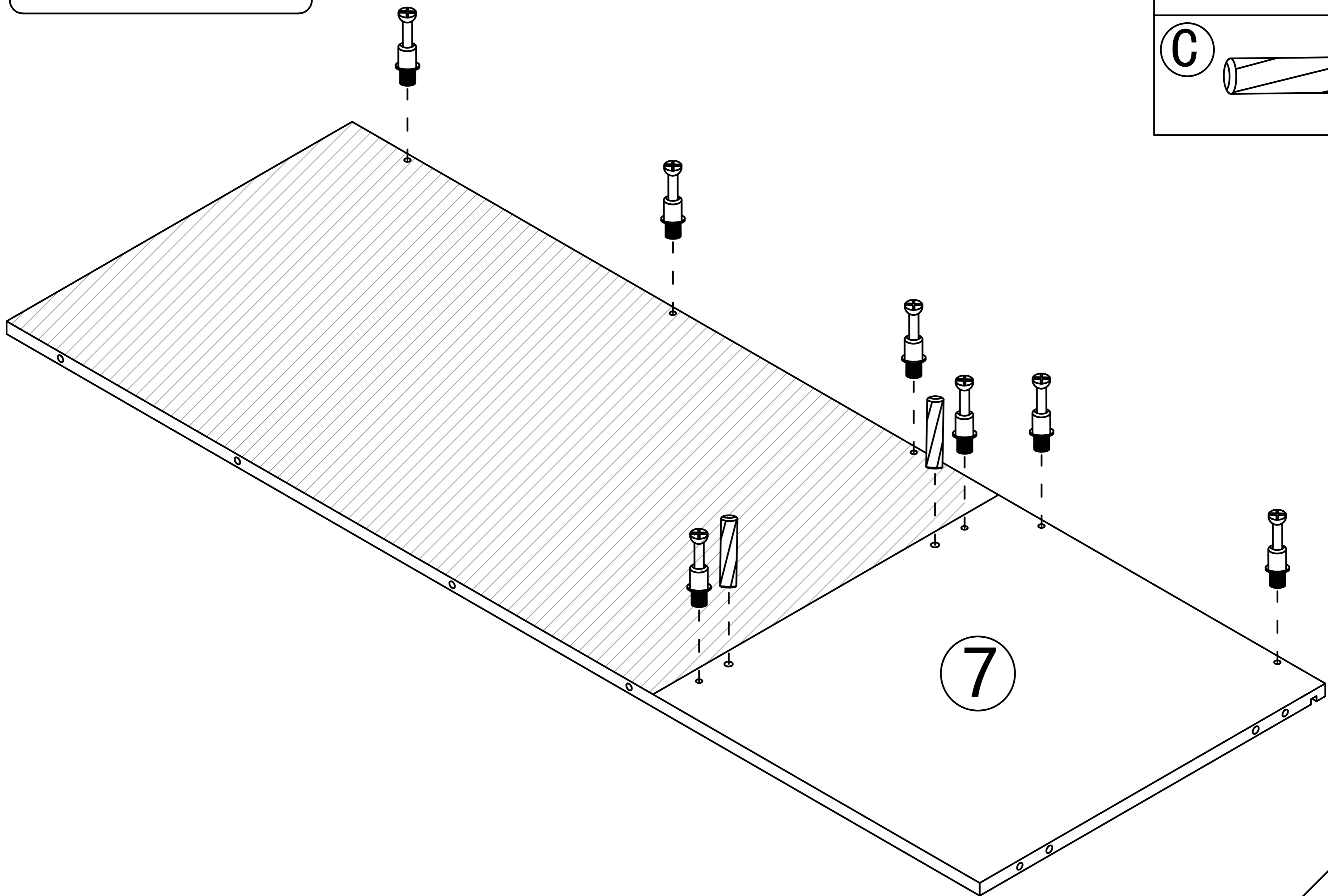
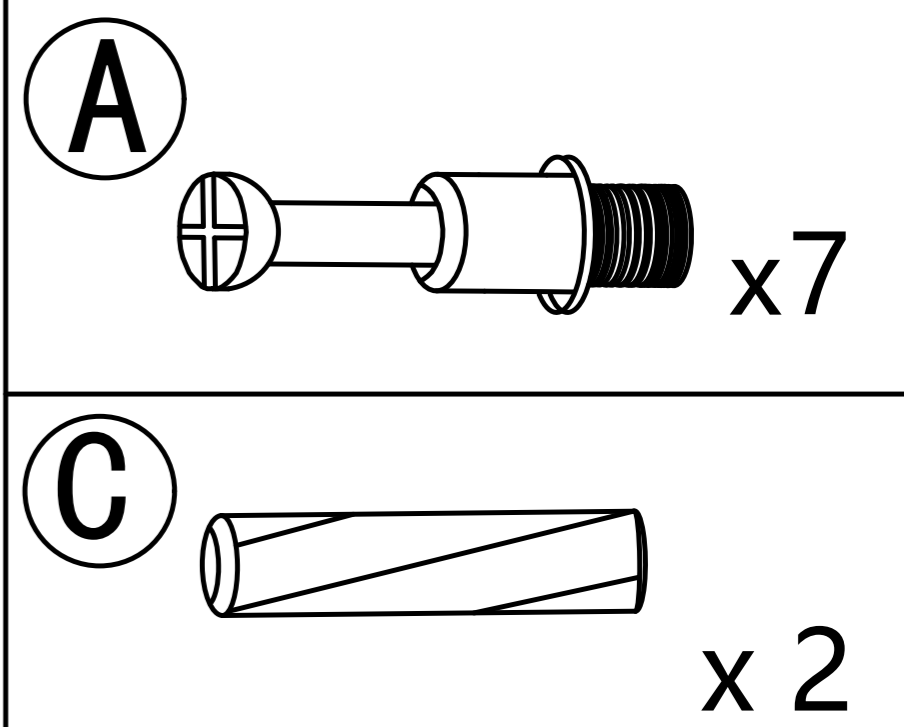
This hole is a reinforced fixing hole which can be installed as required



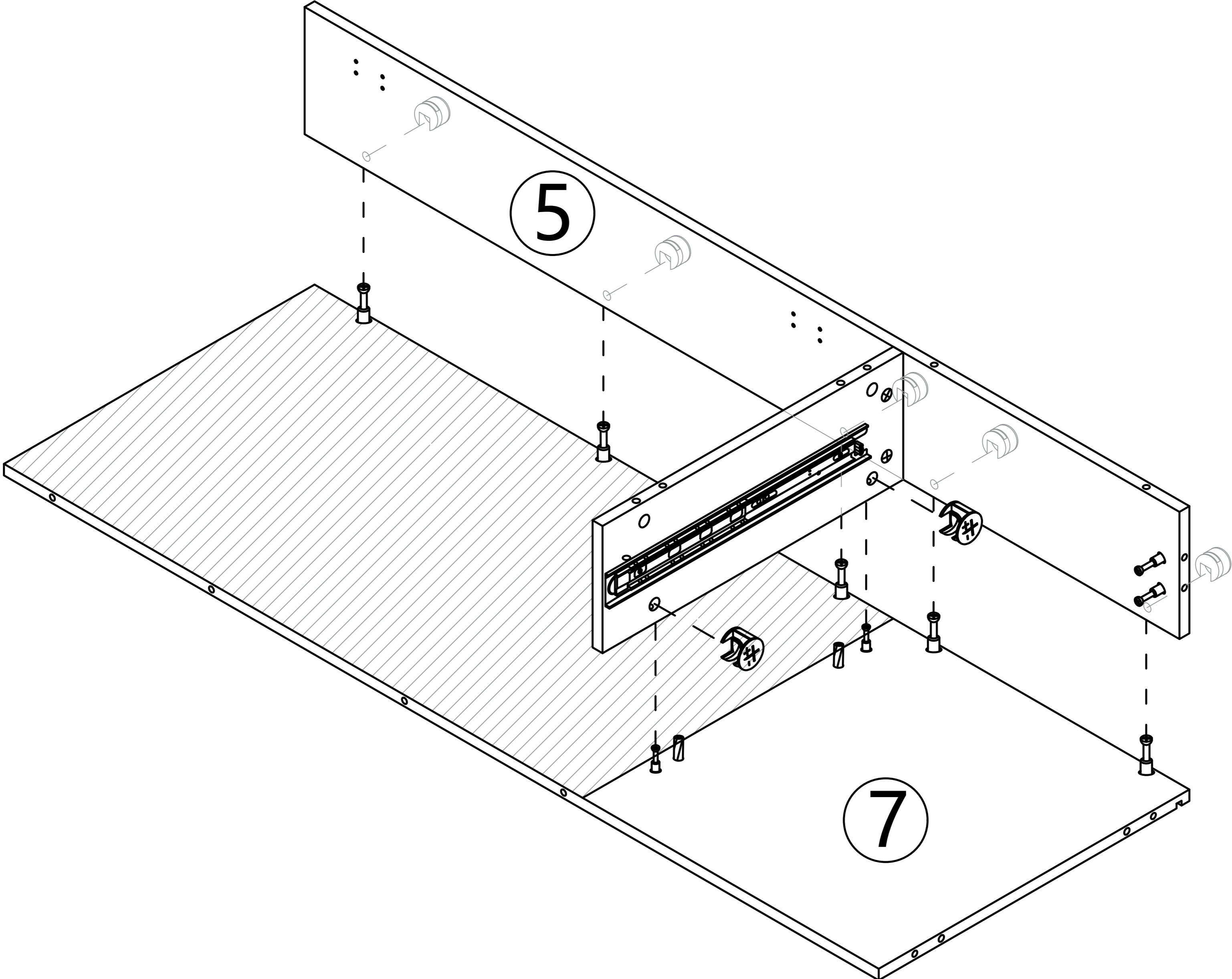
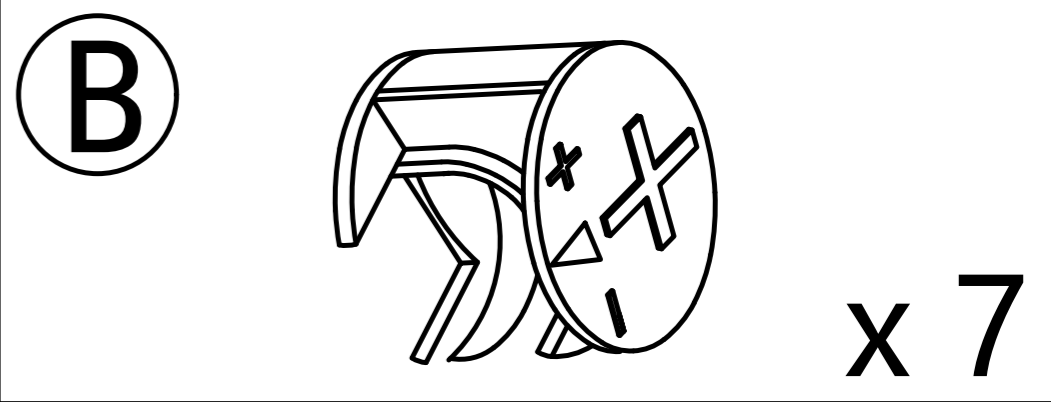
Step 9



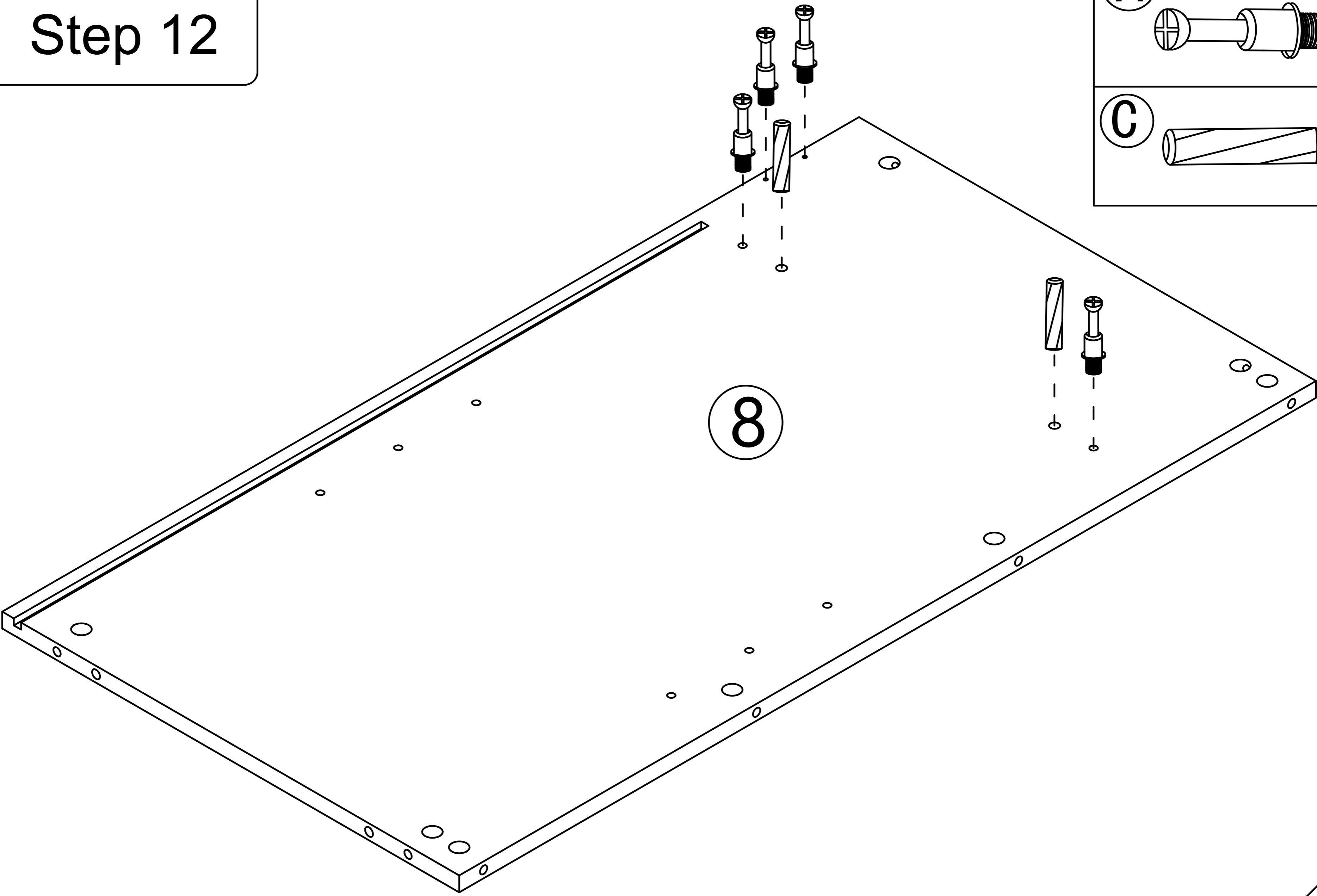
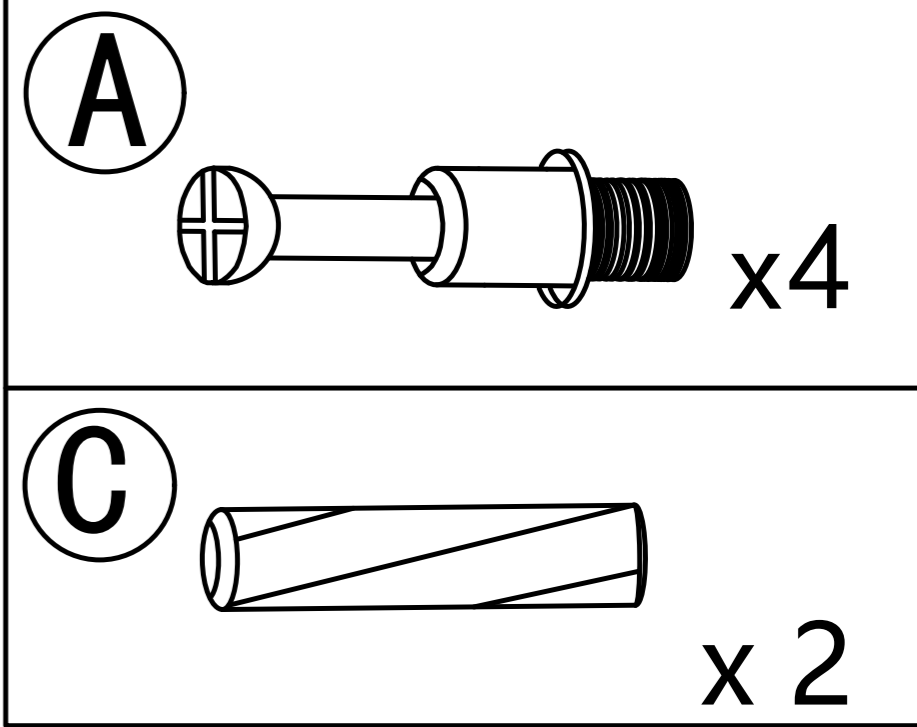
Step 10



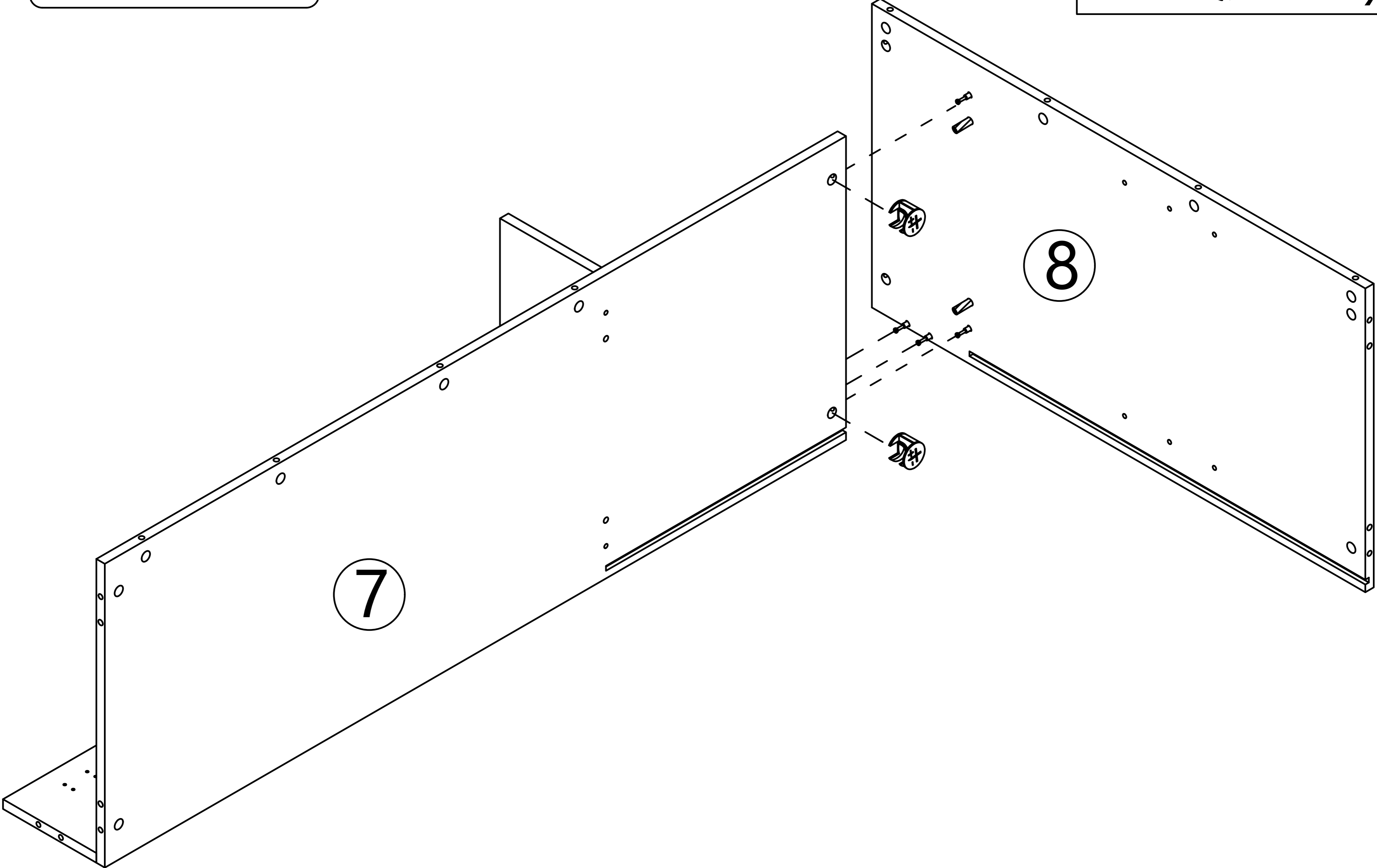
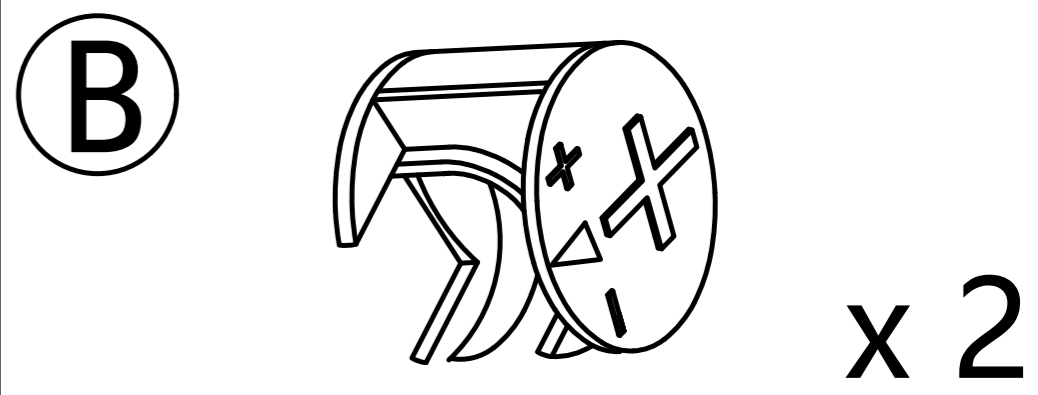
Step 11



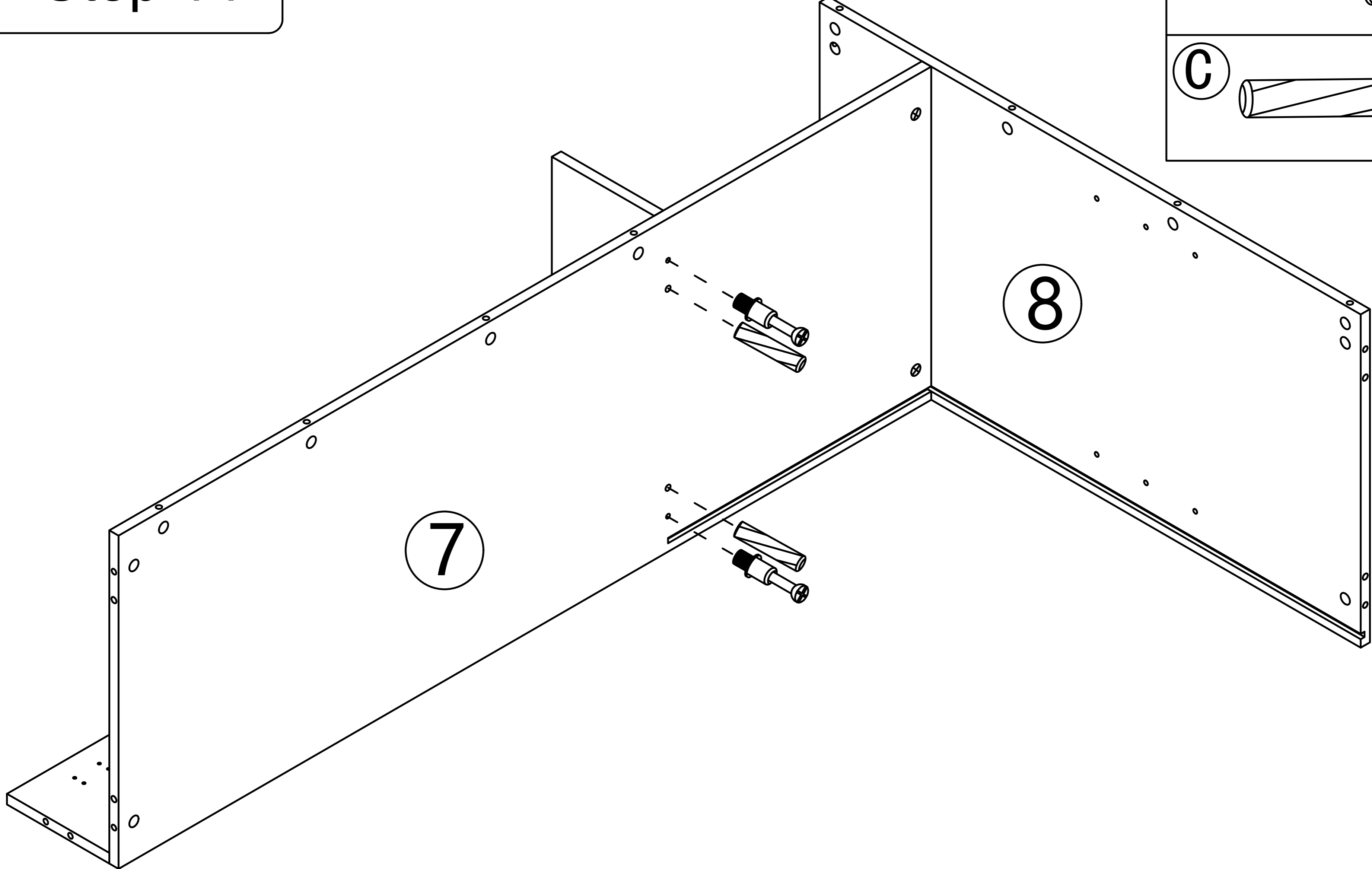
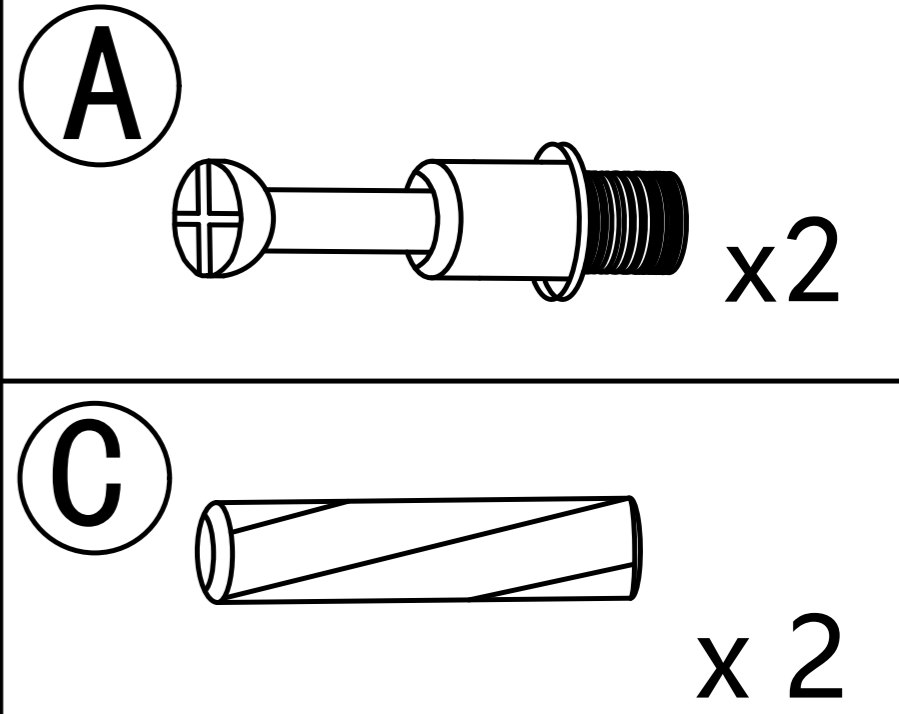
Step 12



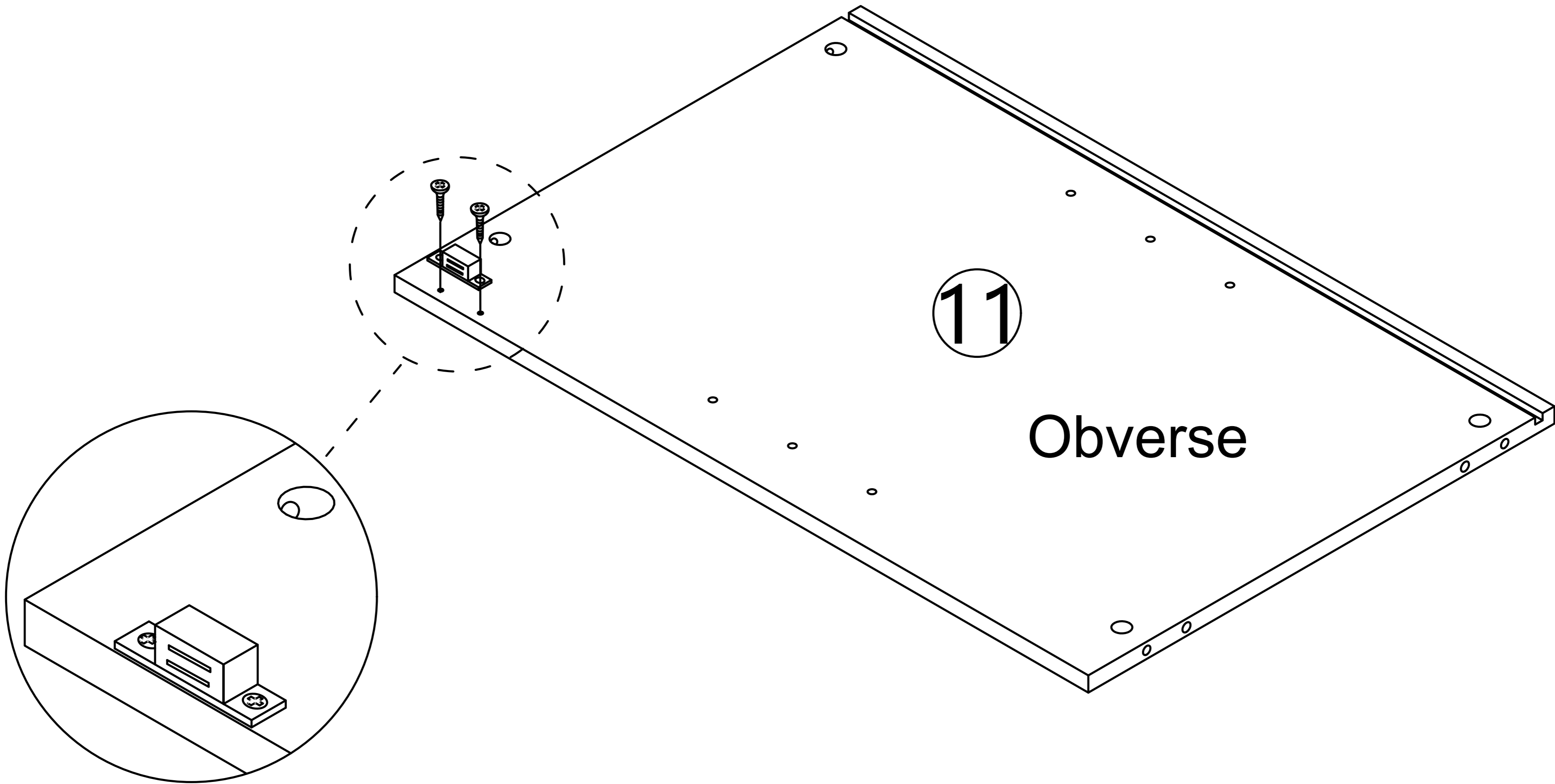
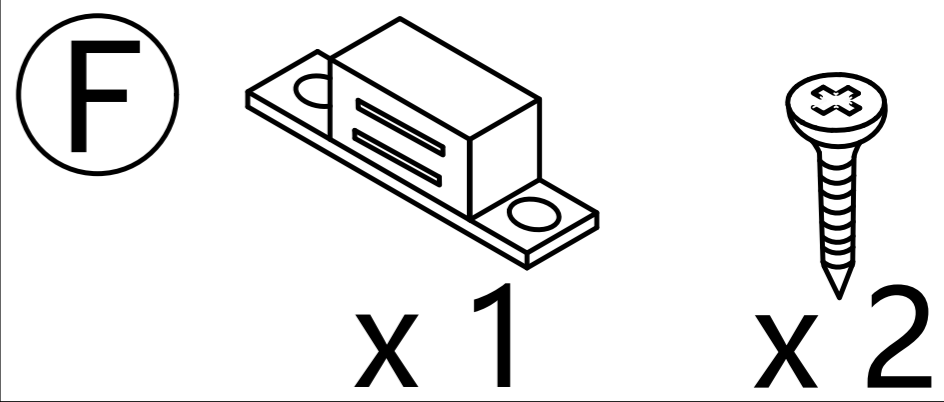
Step 13



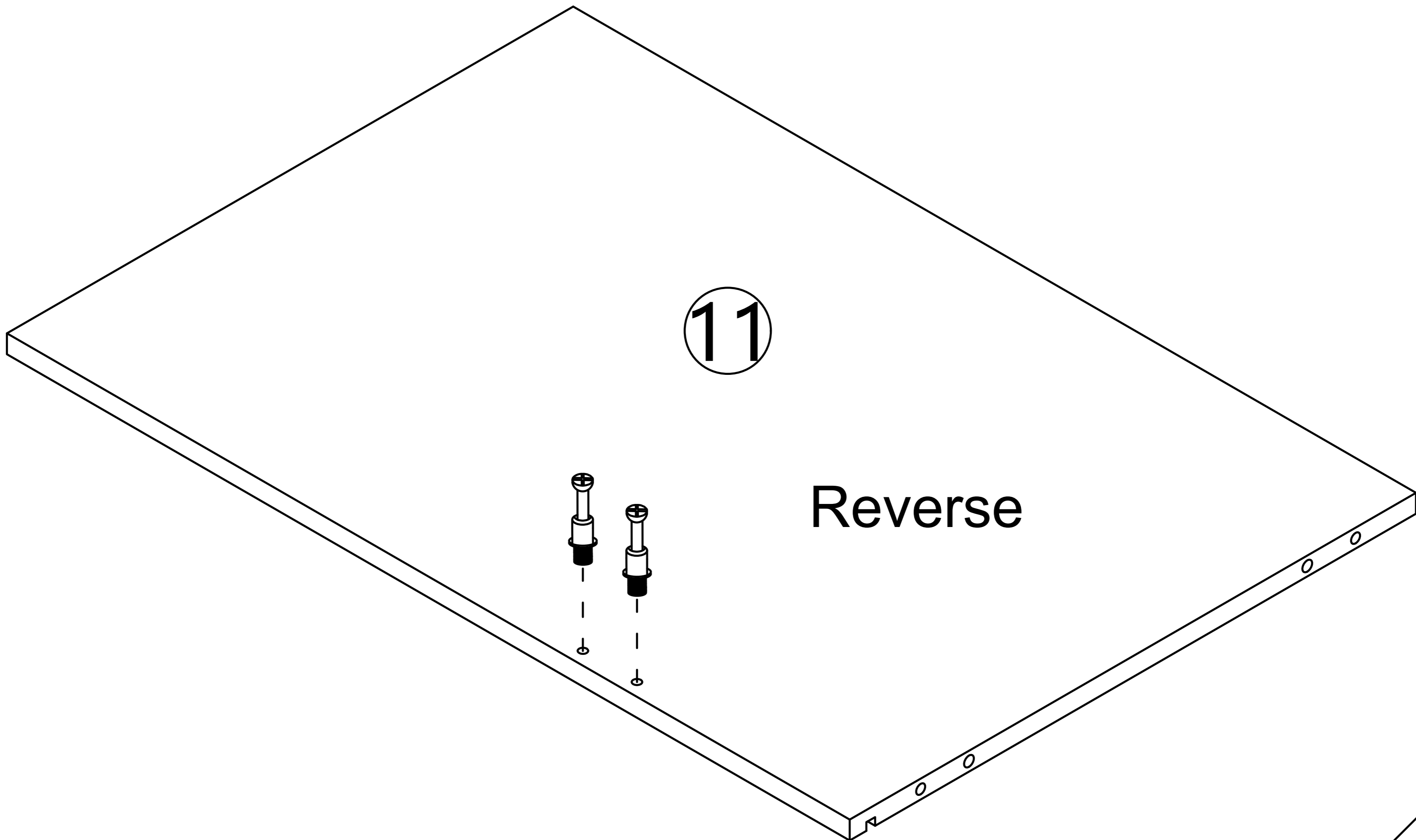
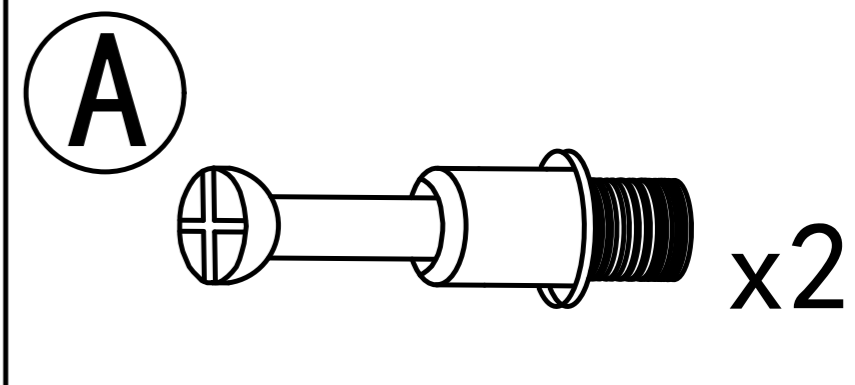
Step 14



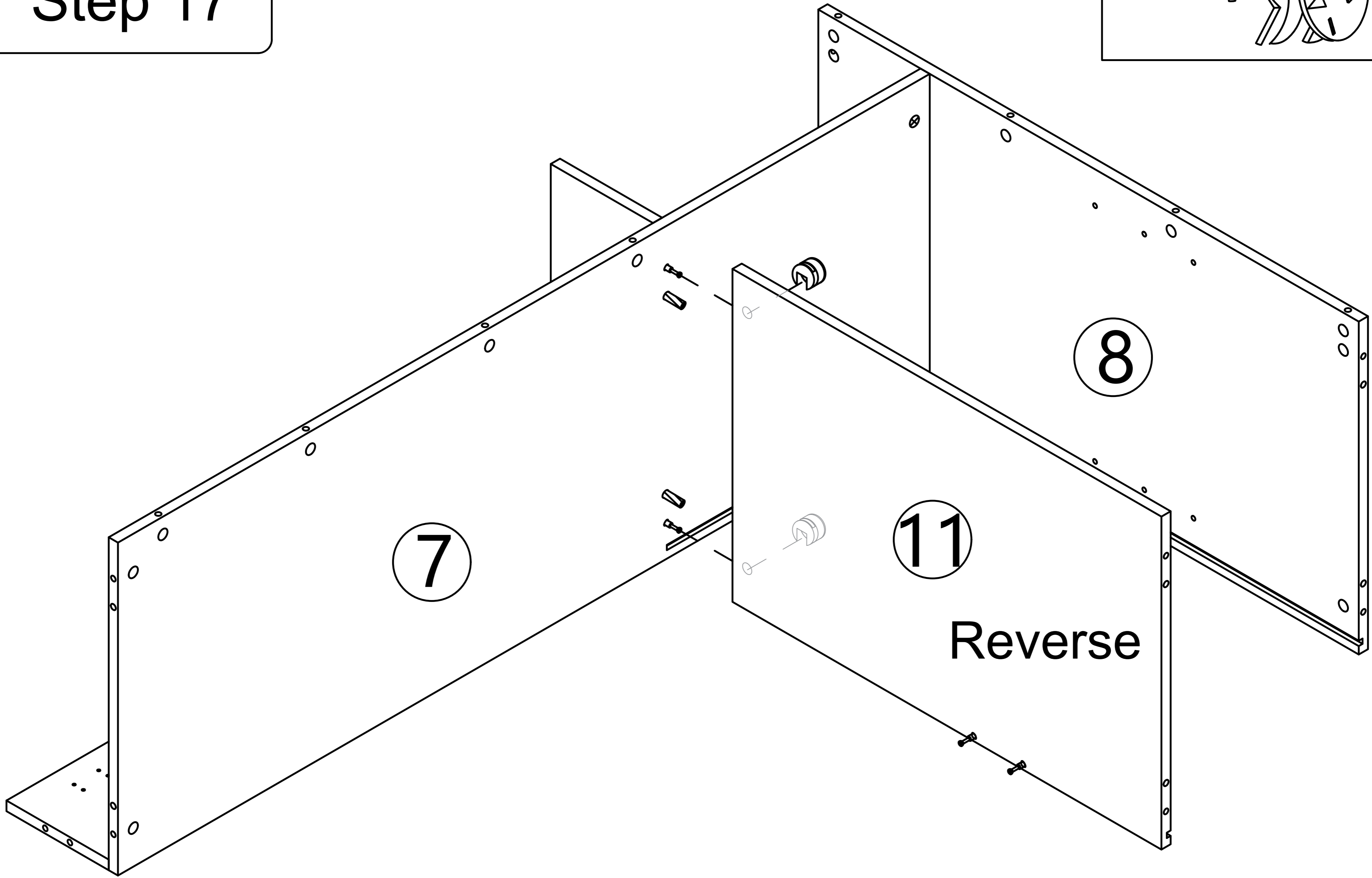
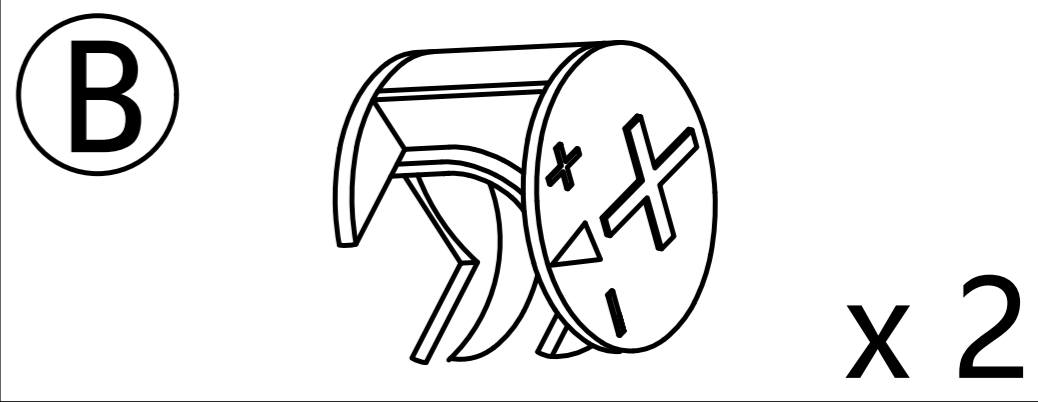
Step 15



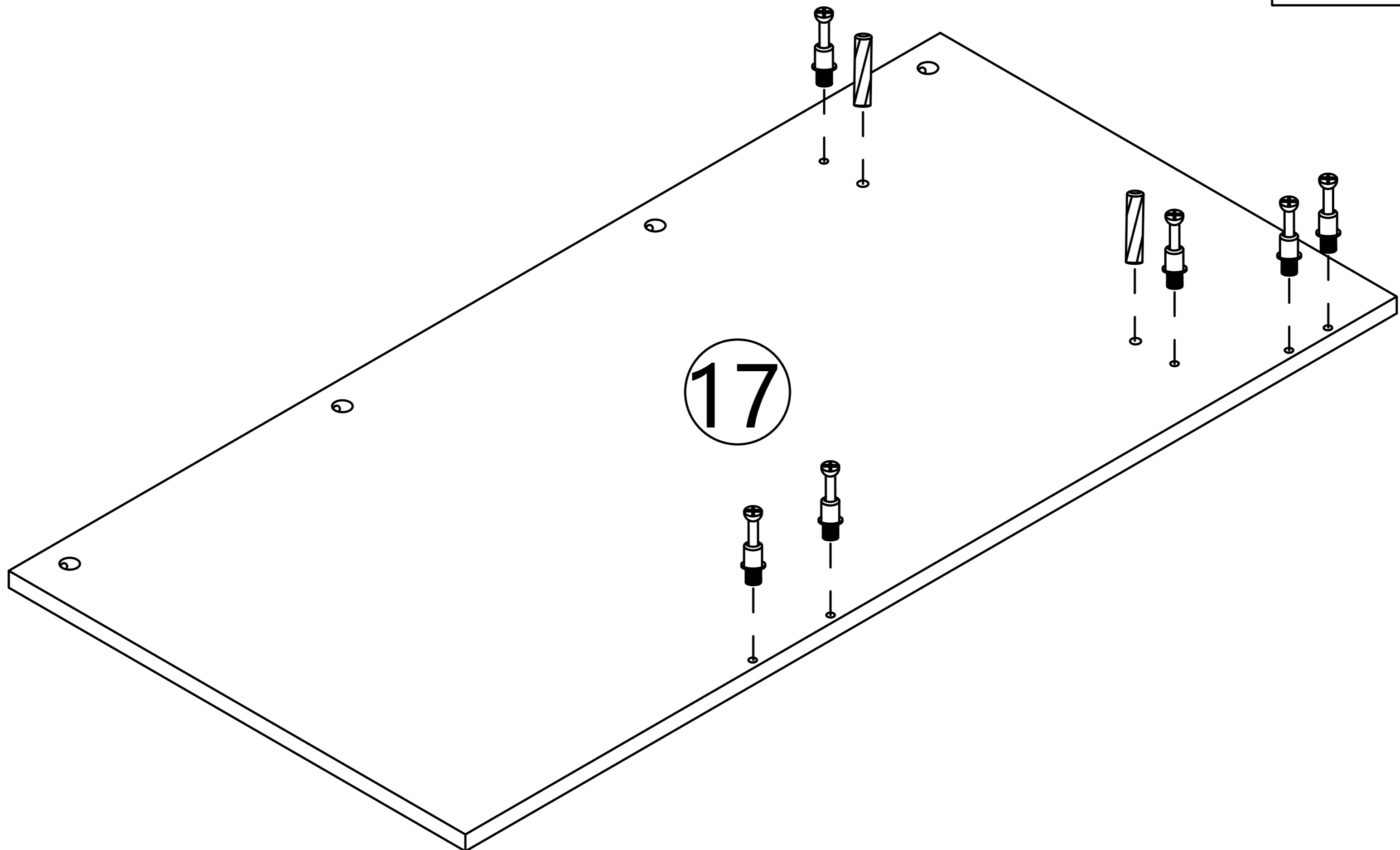
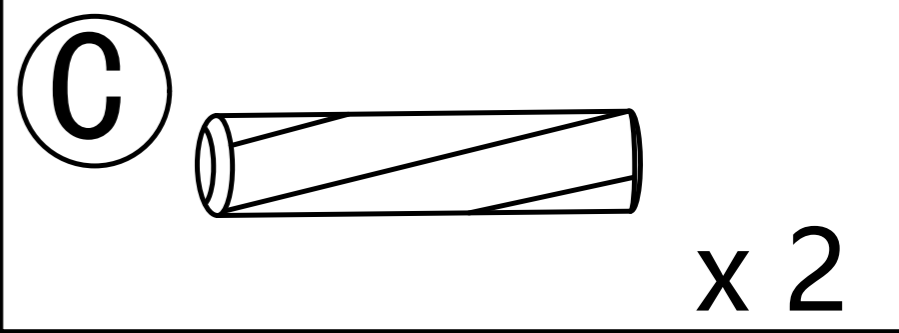
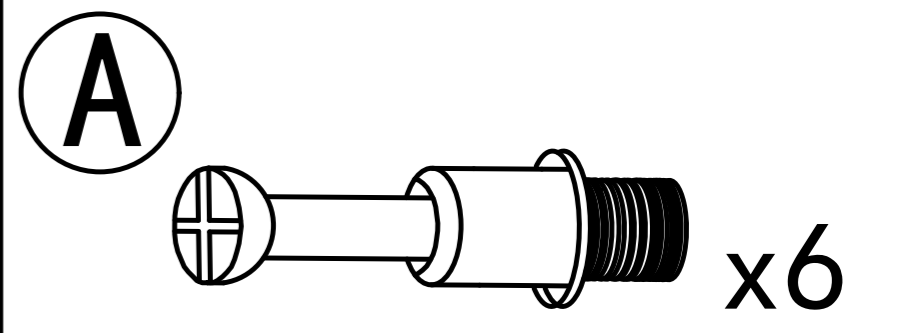
Step 16



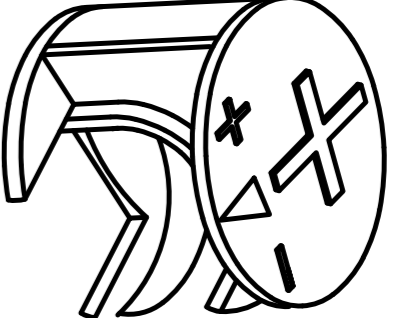
Step 17

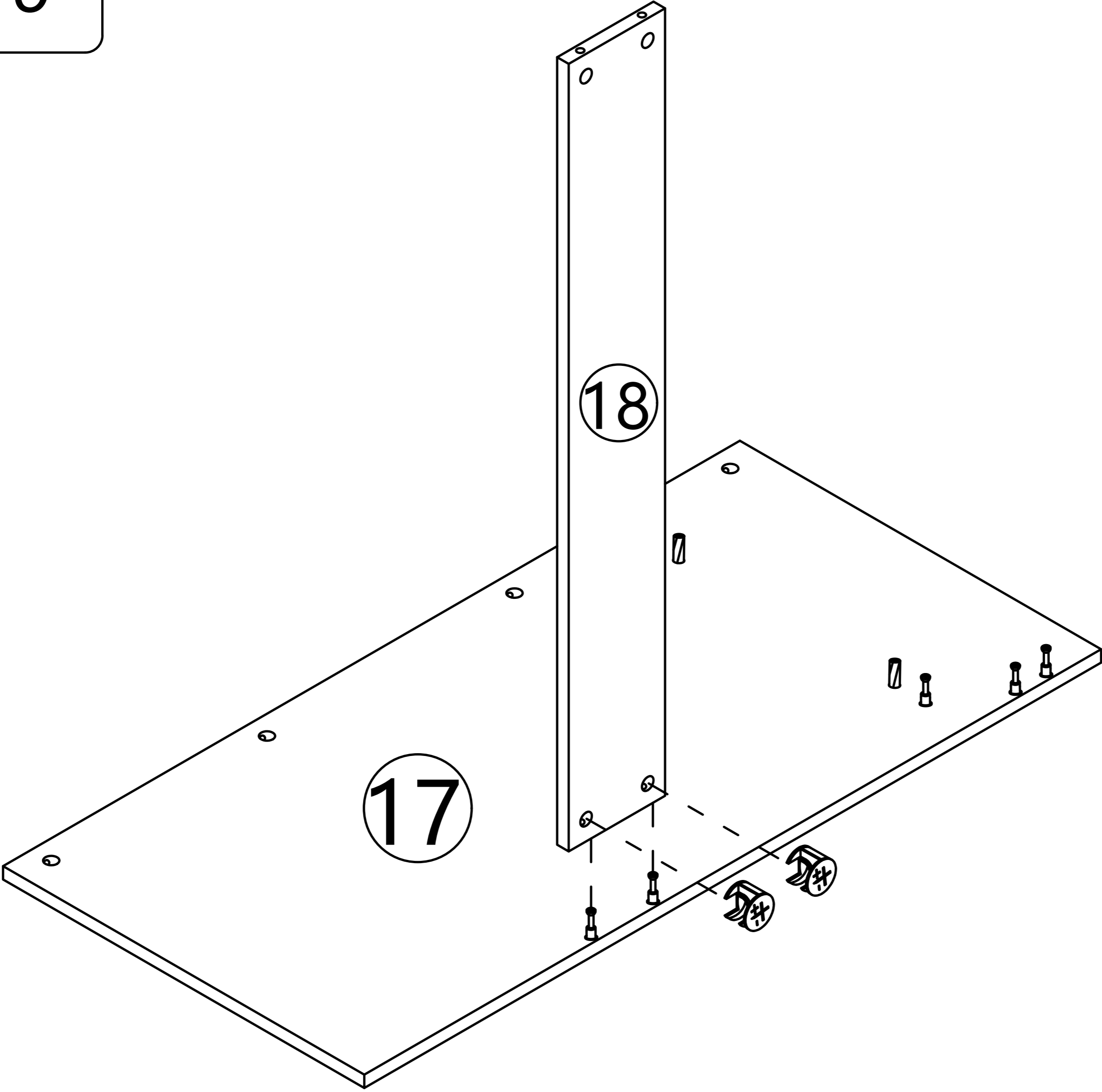


Step 18

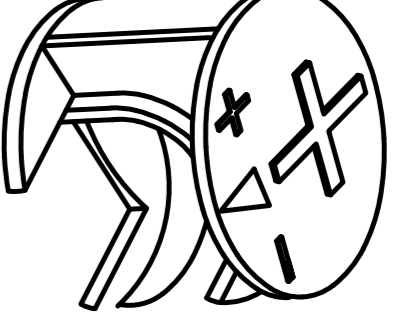


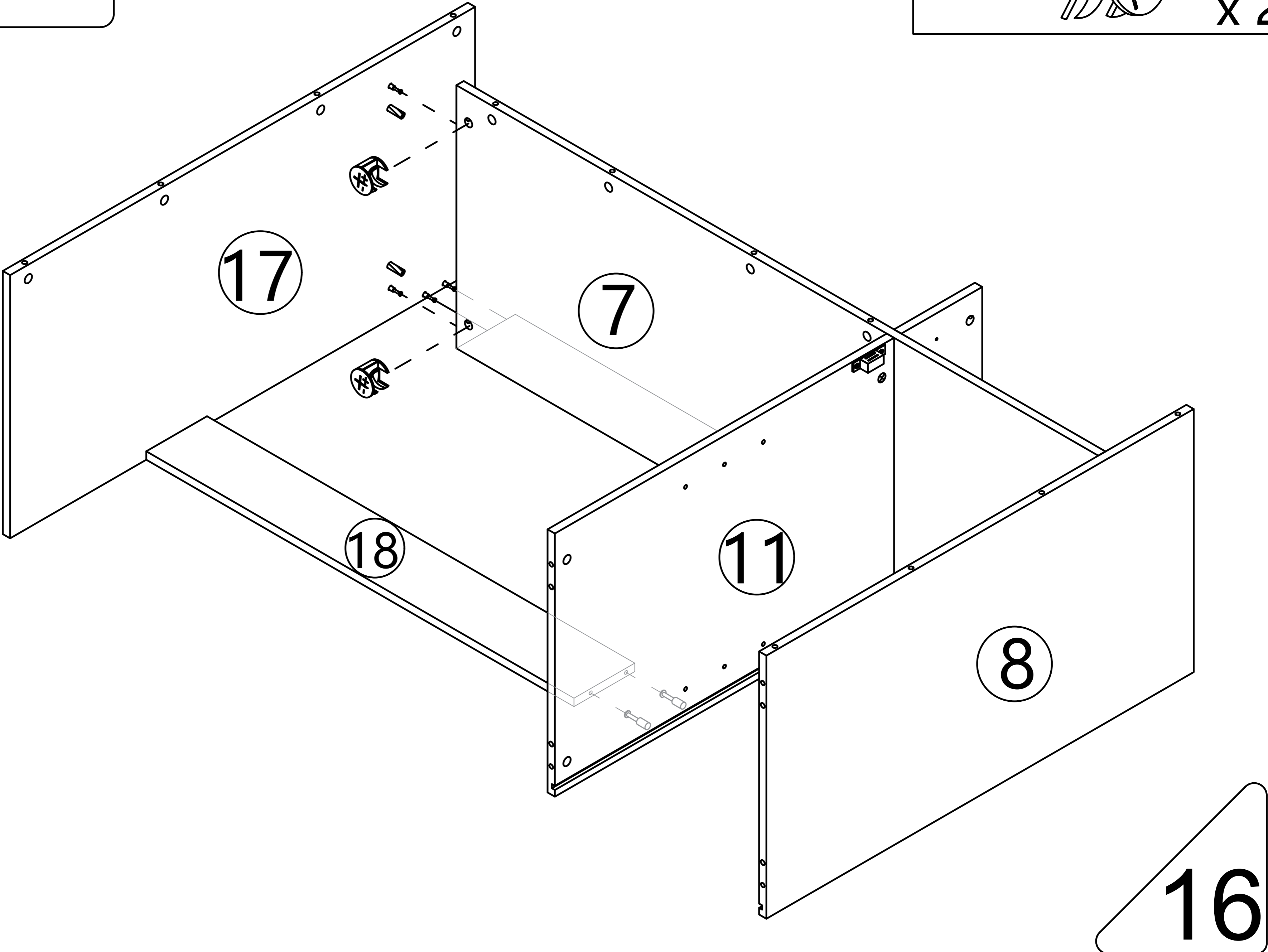
Step 19

(B)  x 2



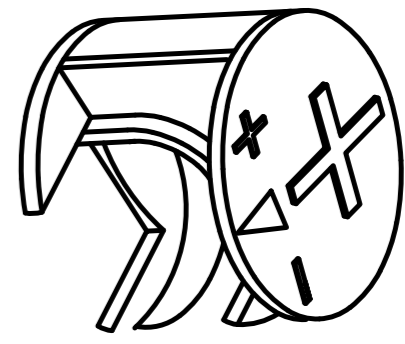
Step 20

(B)  x 2

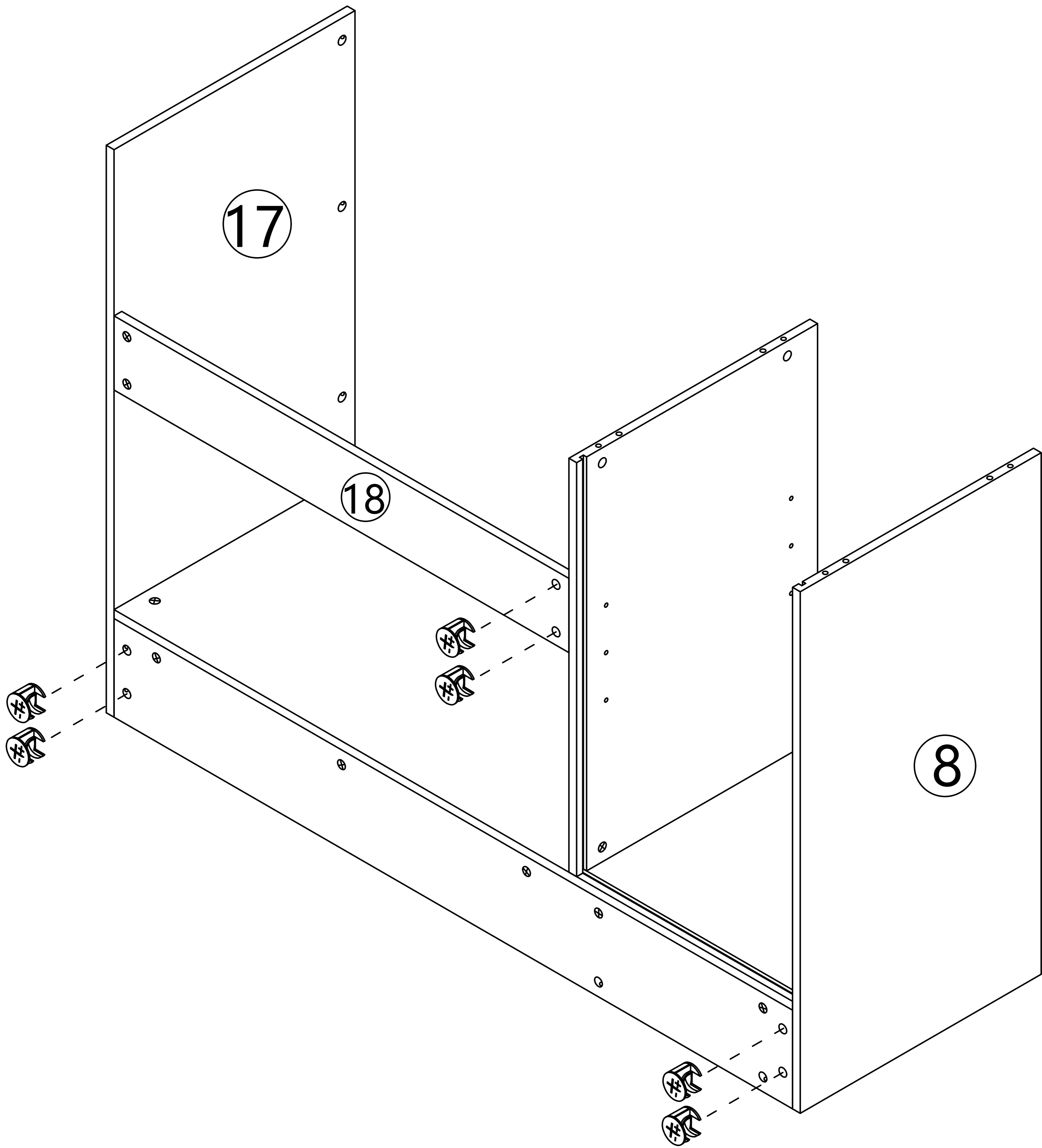


Step 21

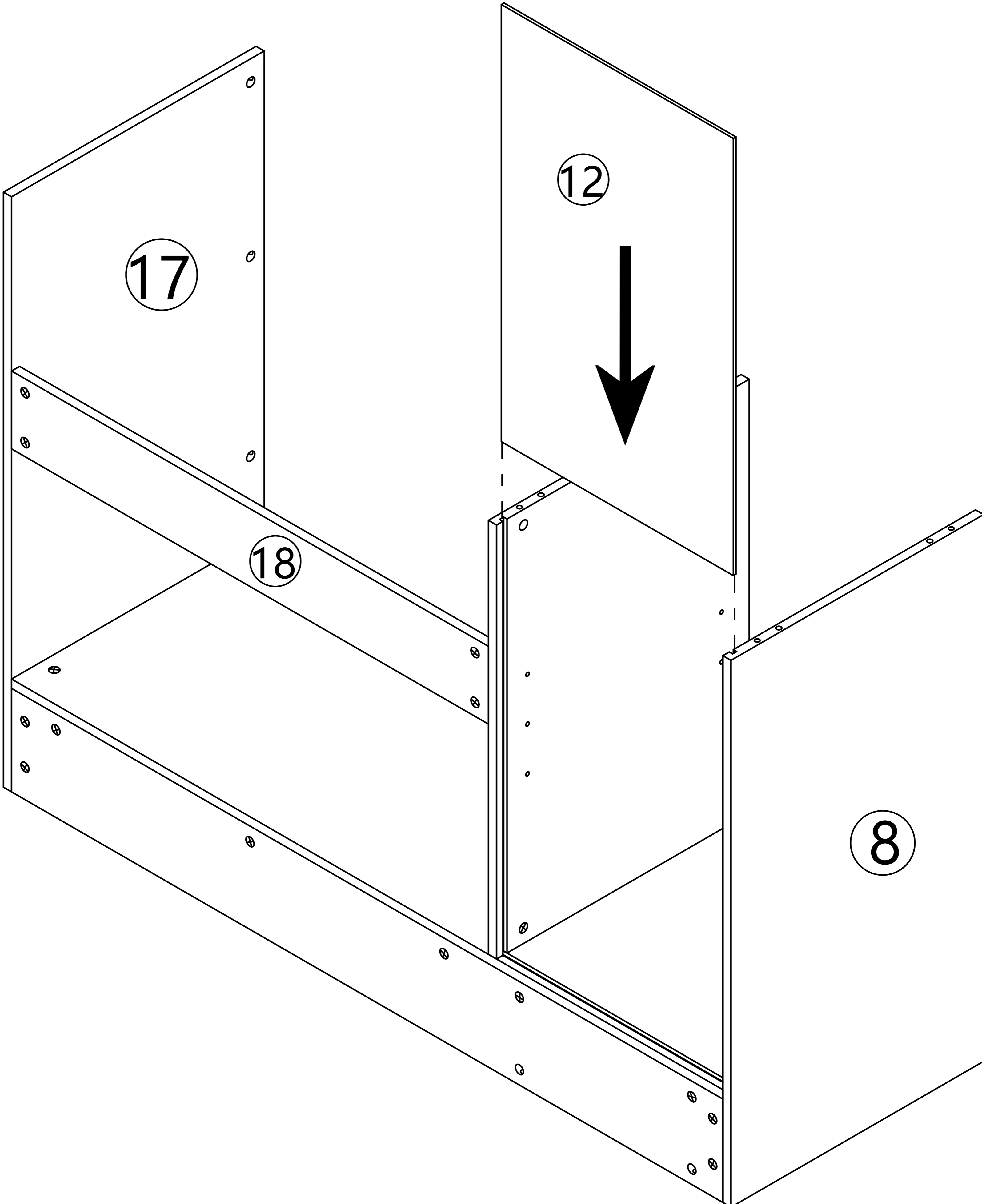
B



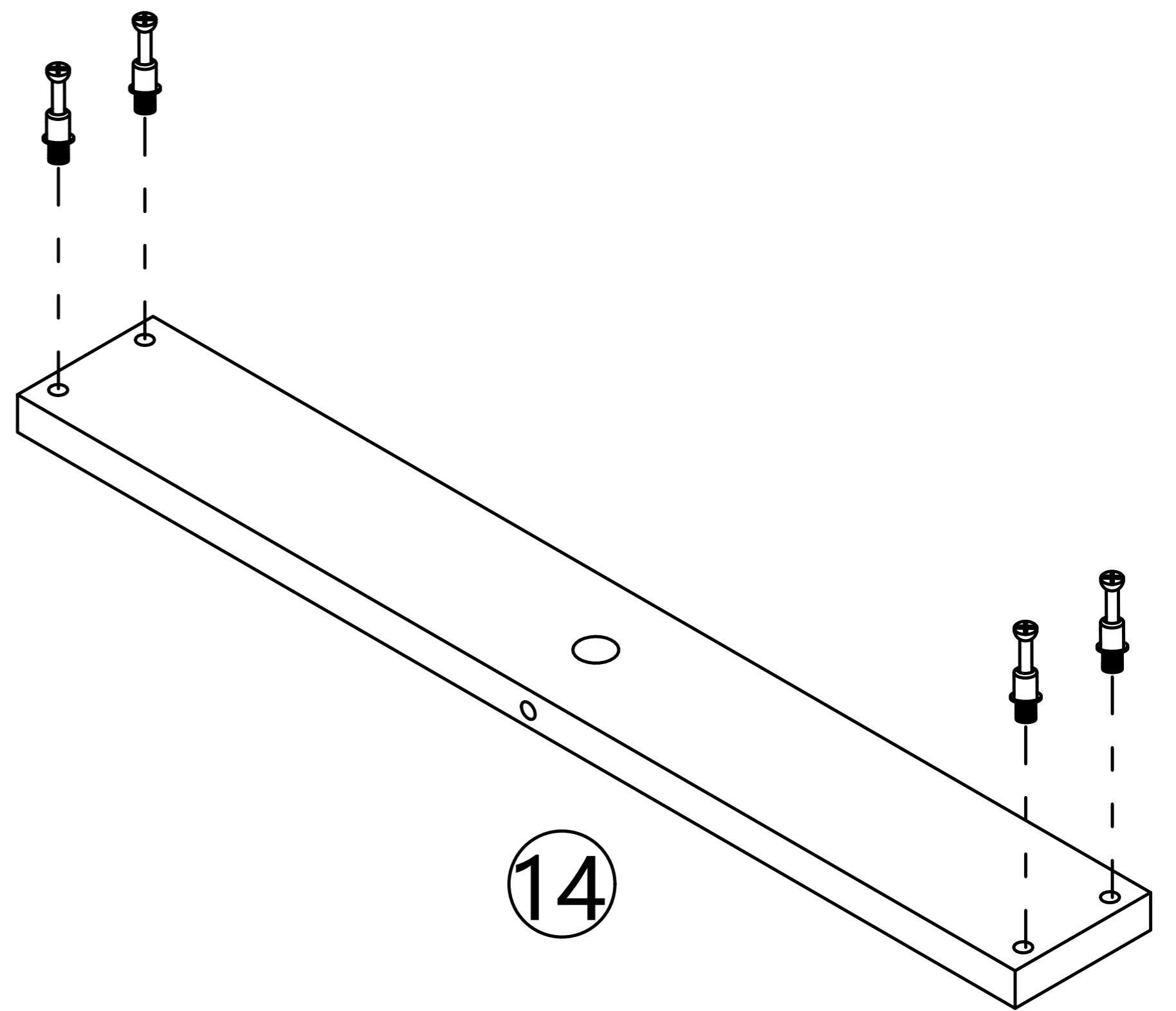
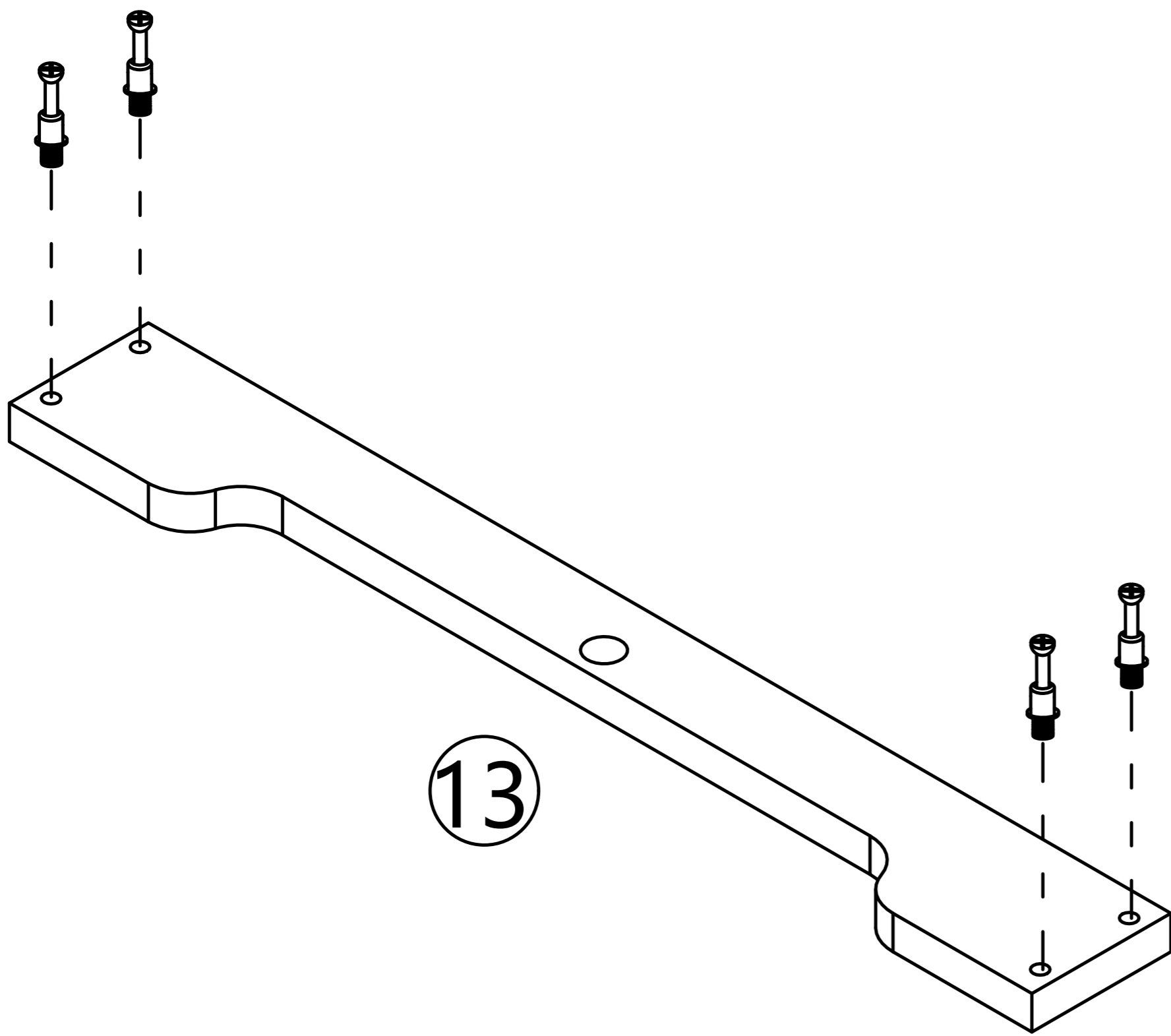
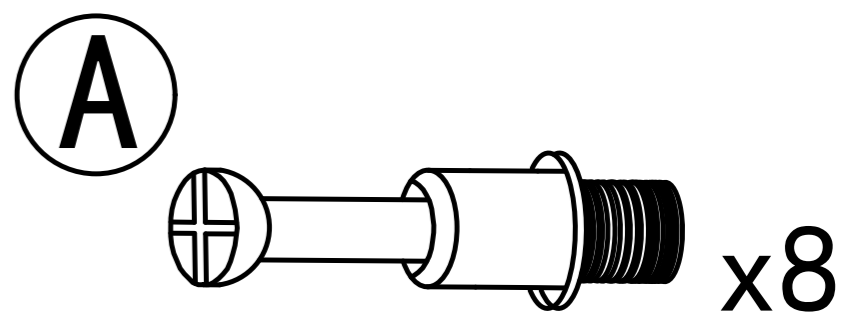
x 6



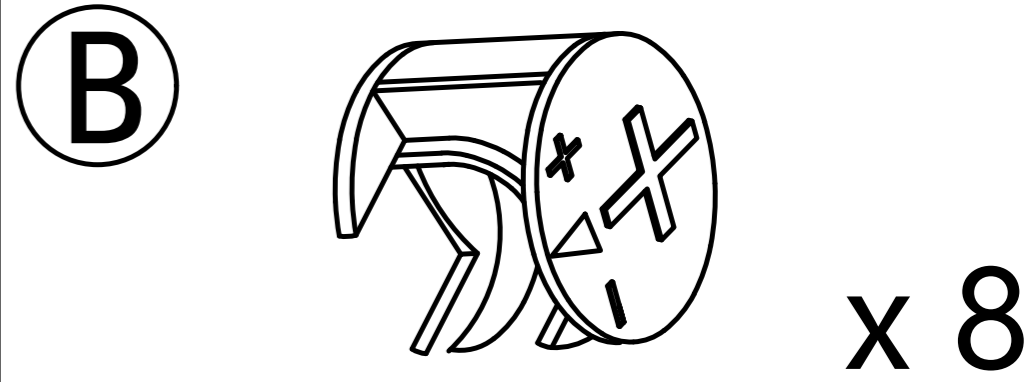
Step 22



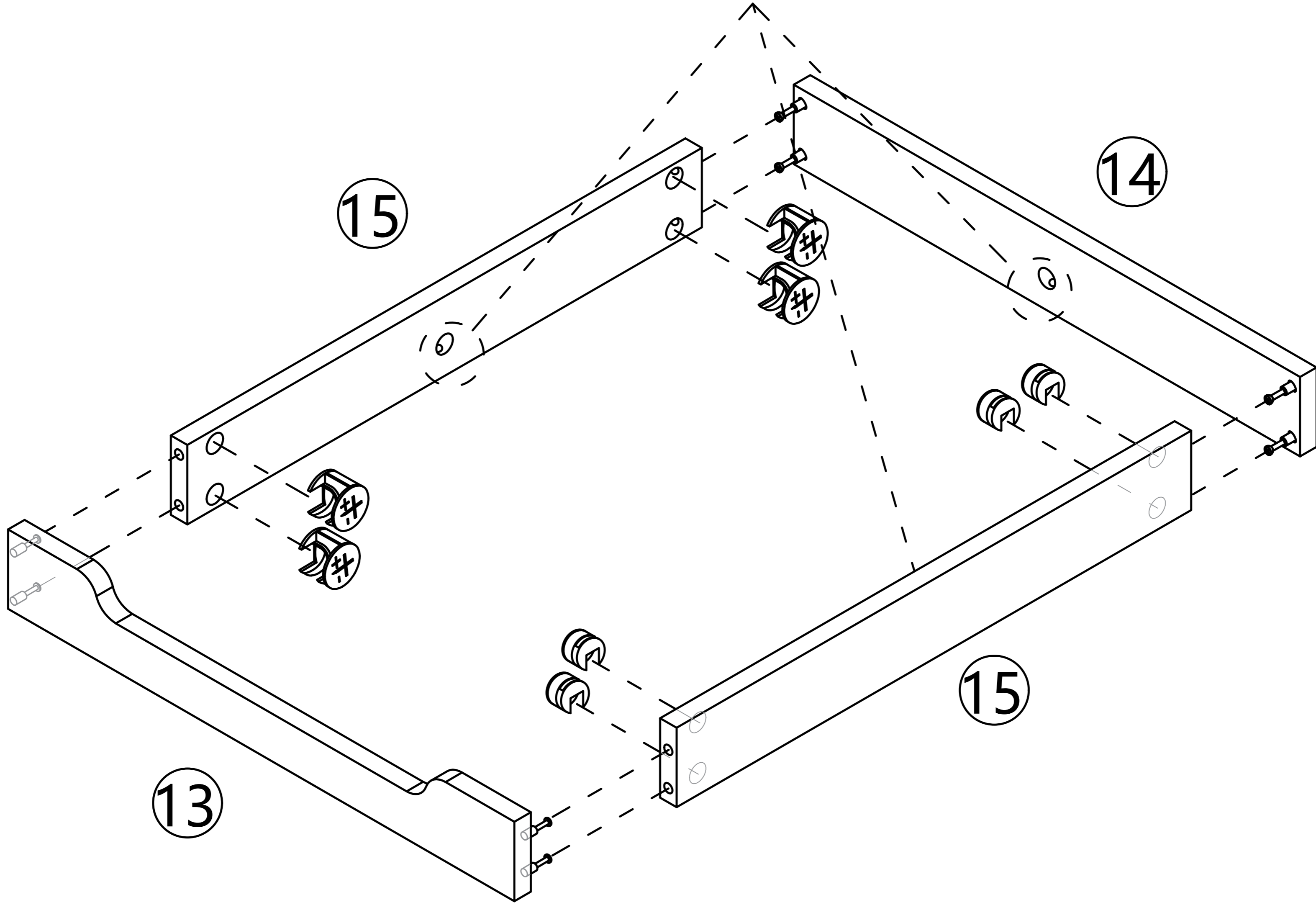
Step 23



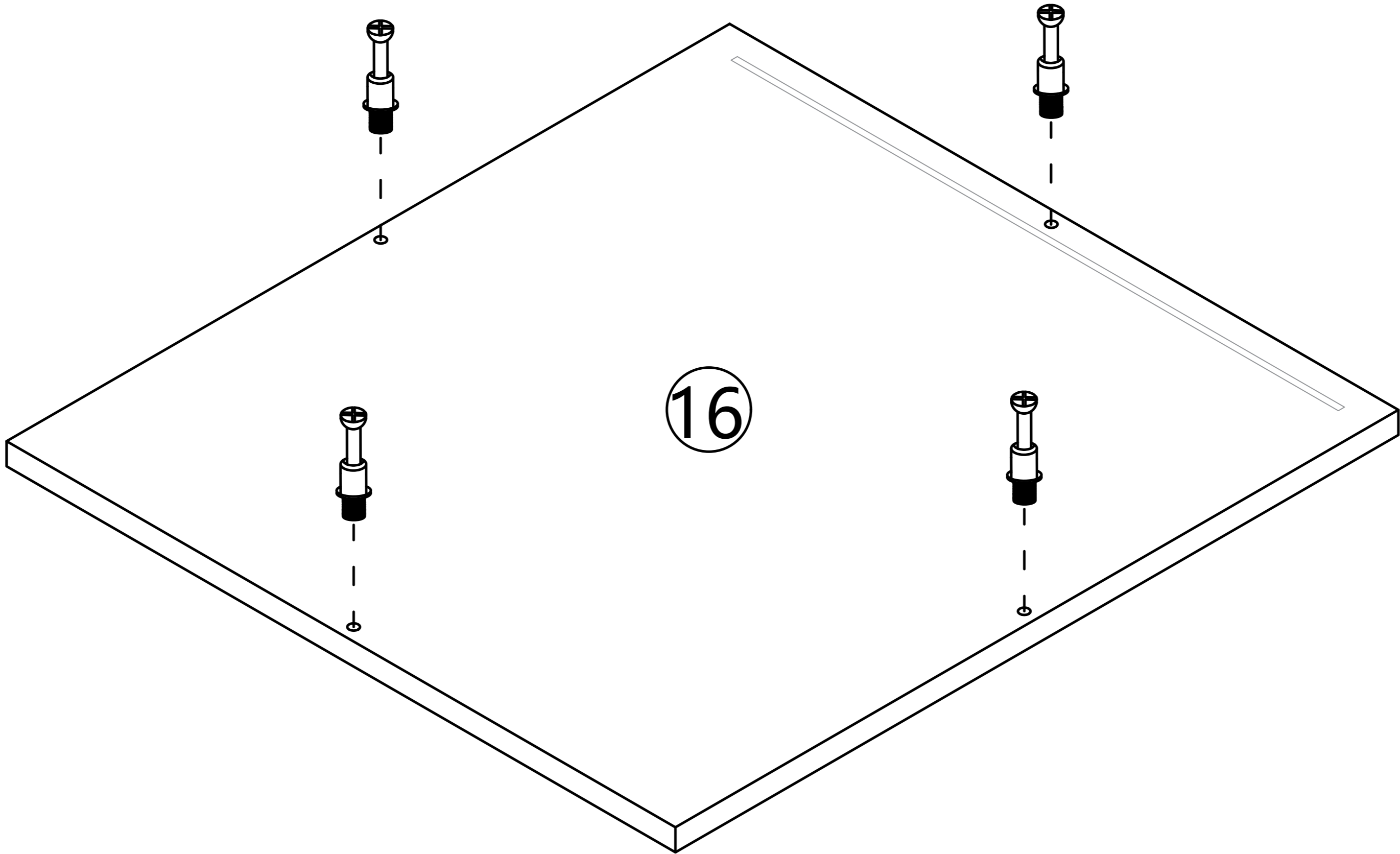
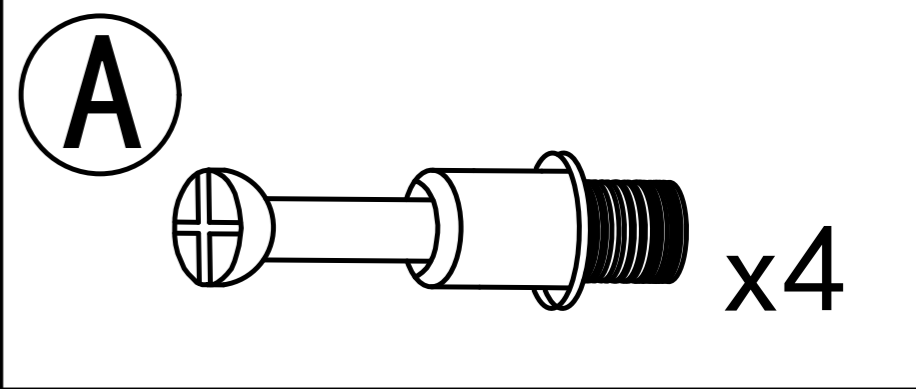
Step 24



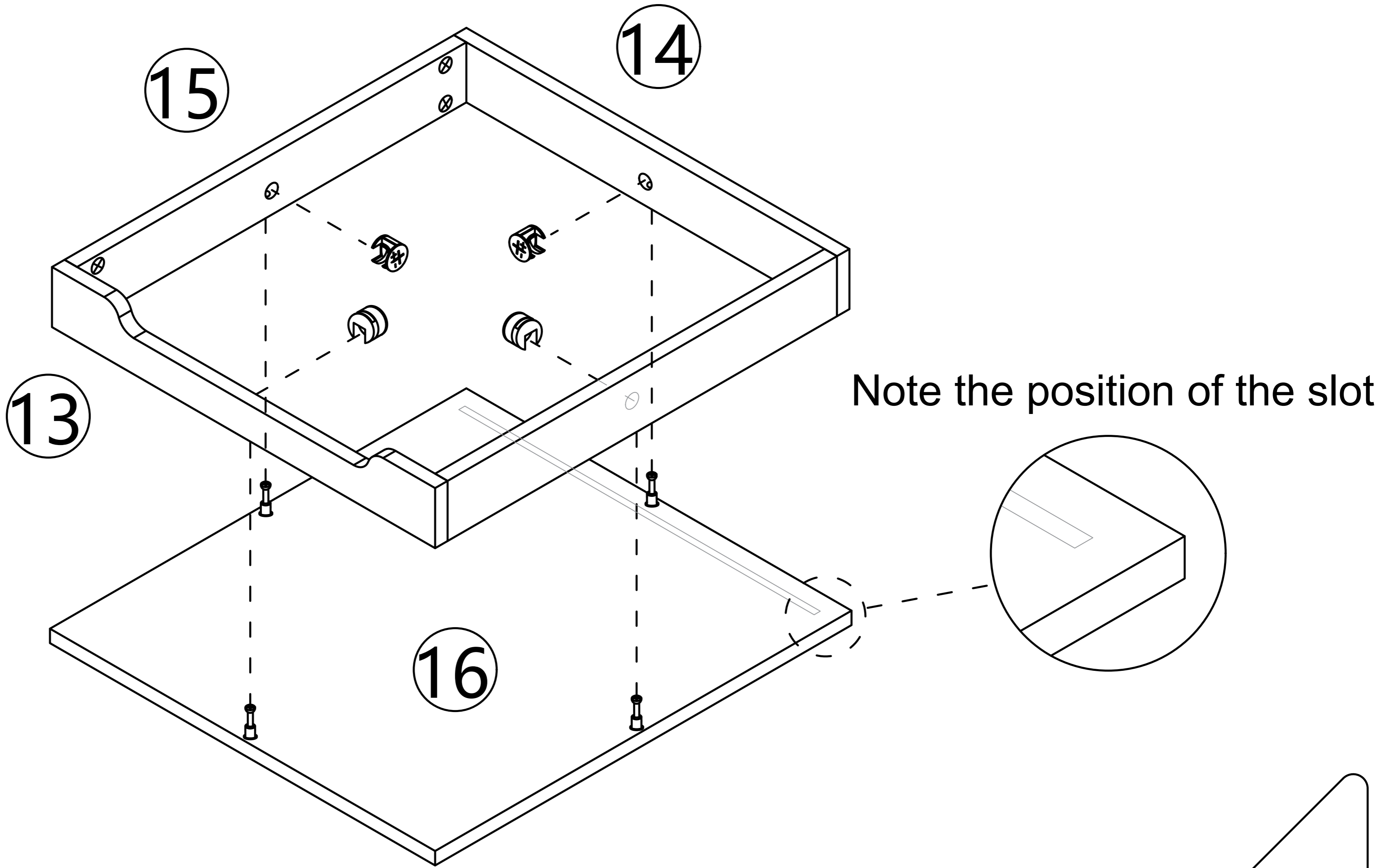
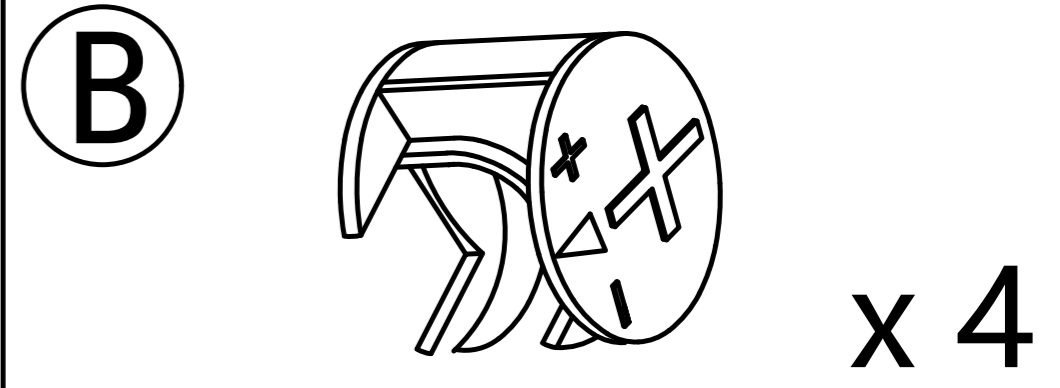
The lateral hole is on the same side



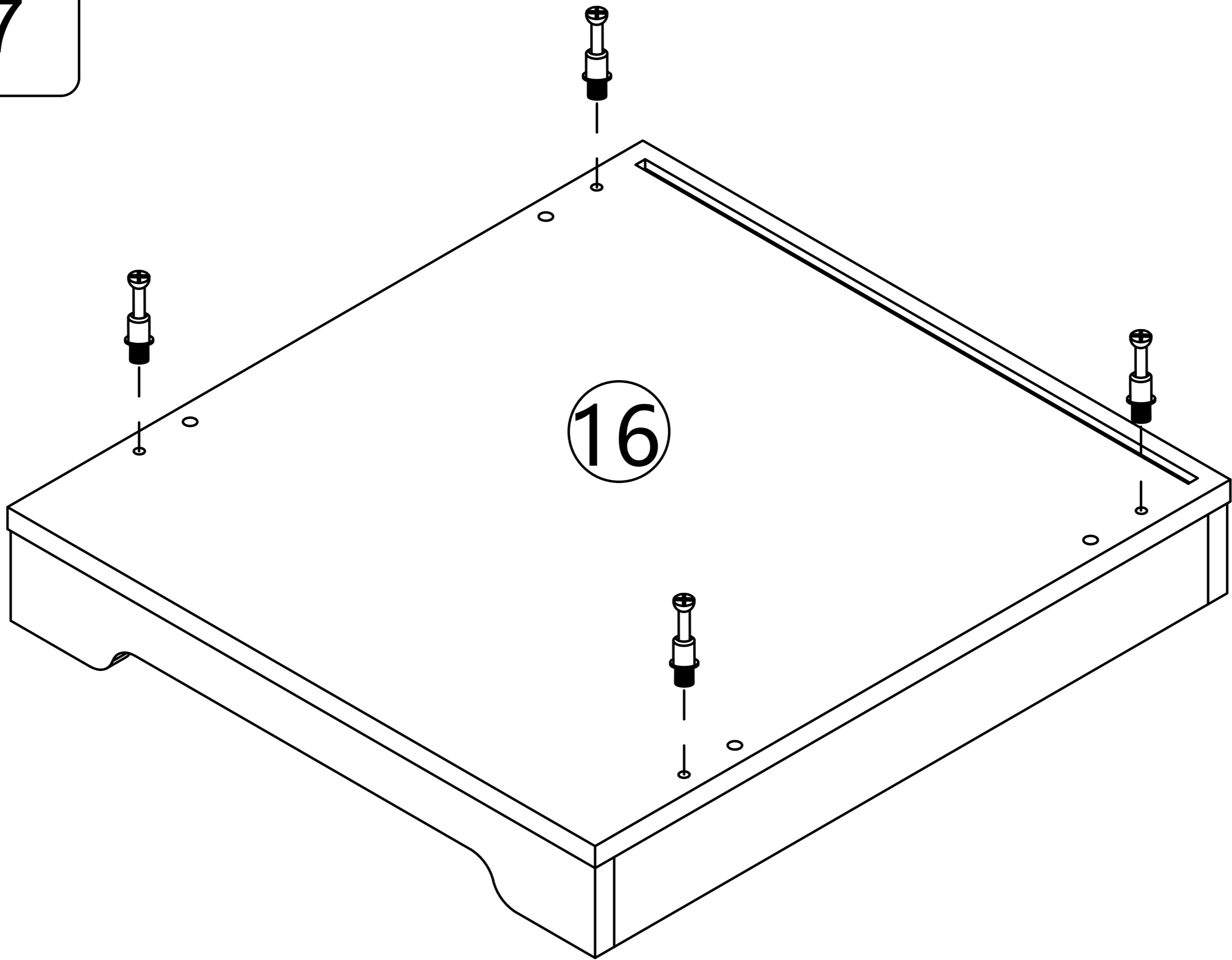
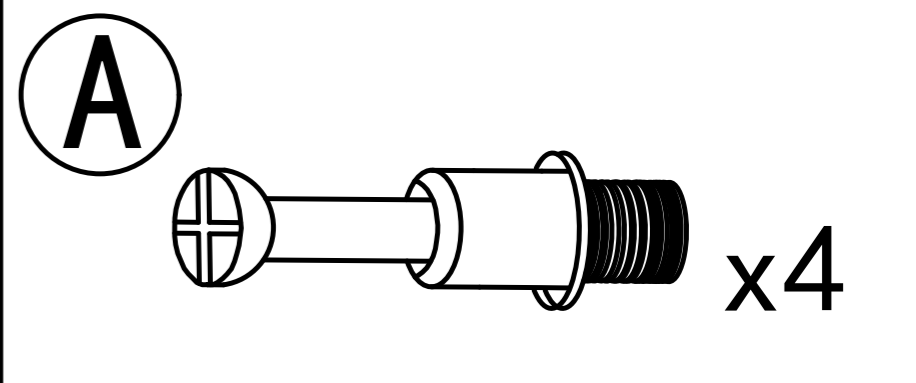
Step 25



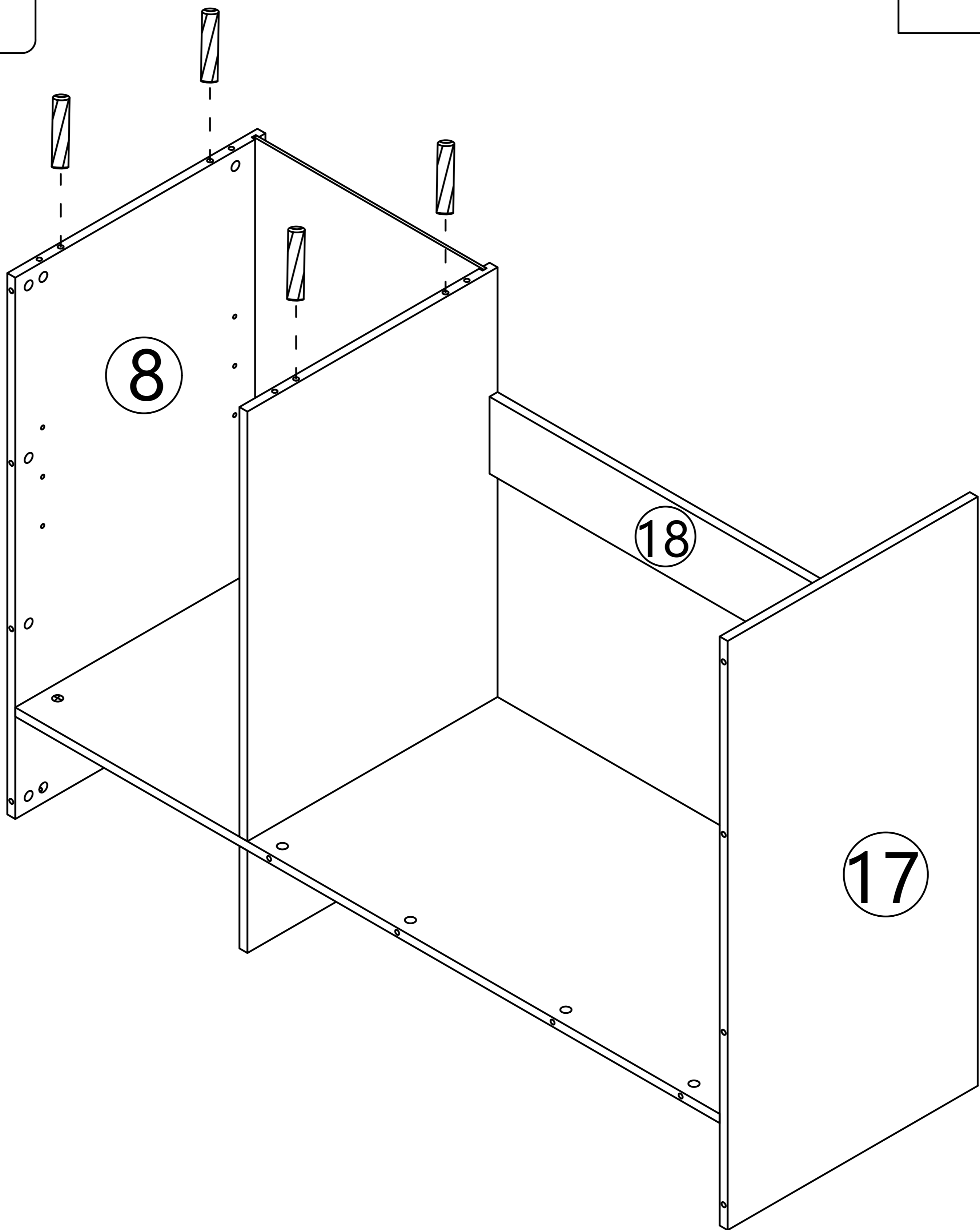
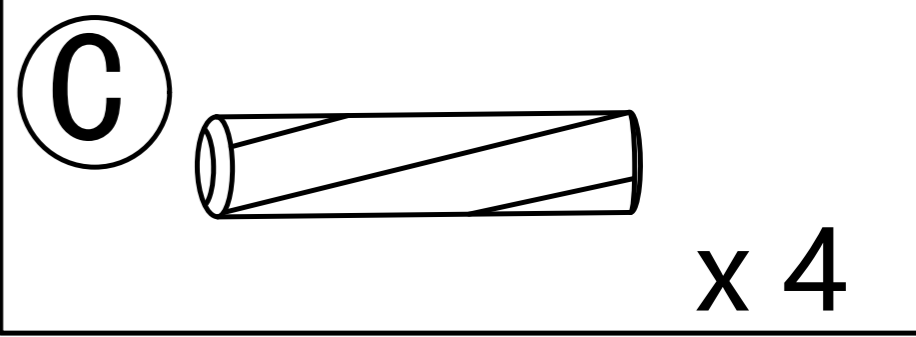
Step 26



Step 27

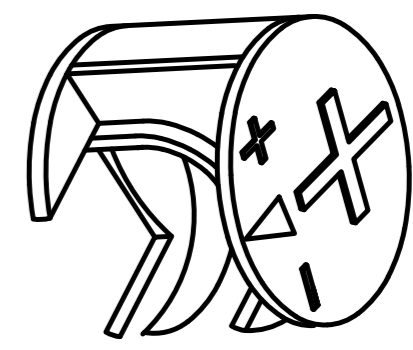


Step 28

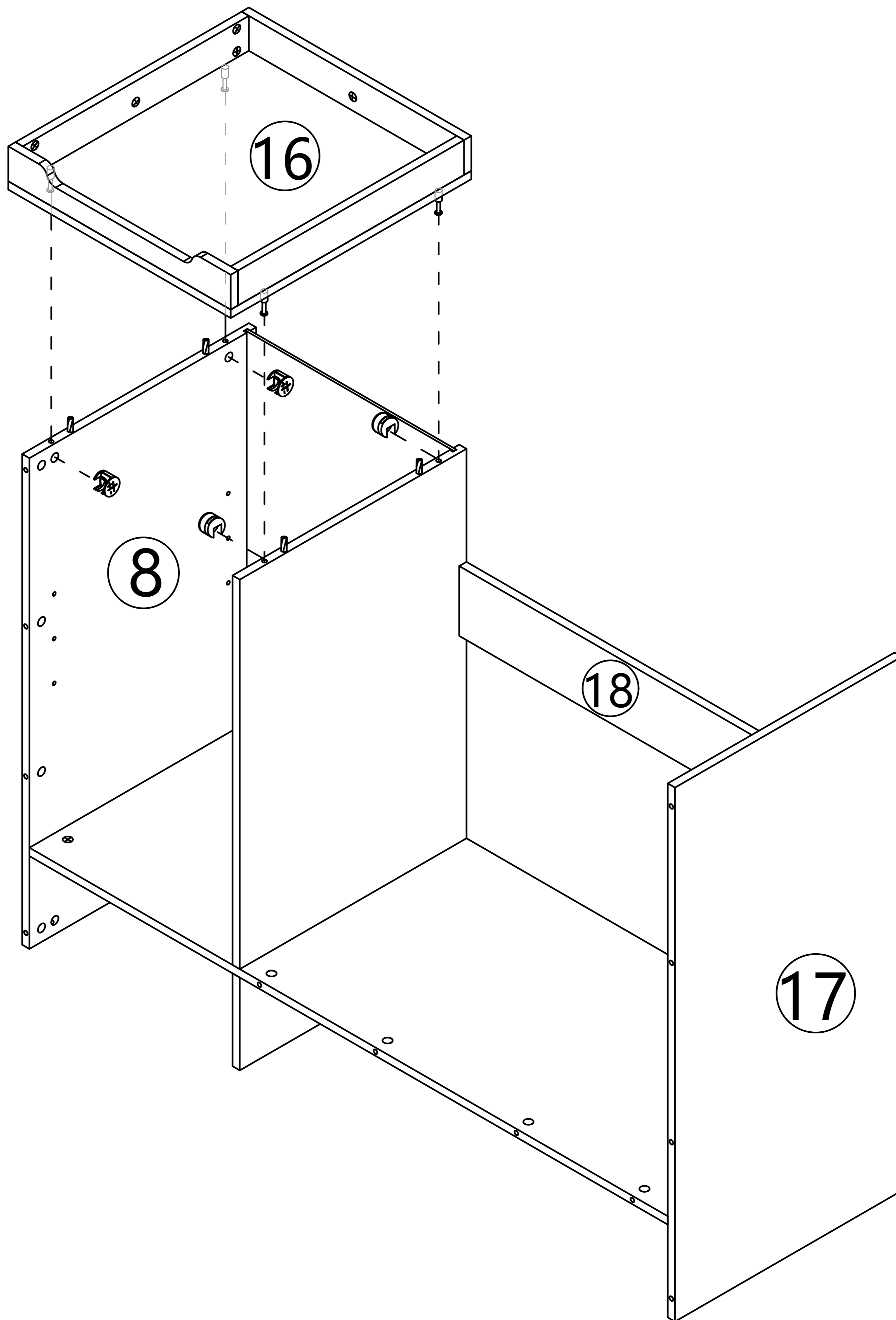


Step 29

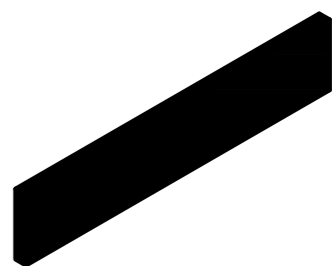
B

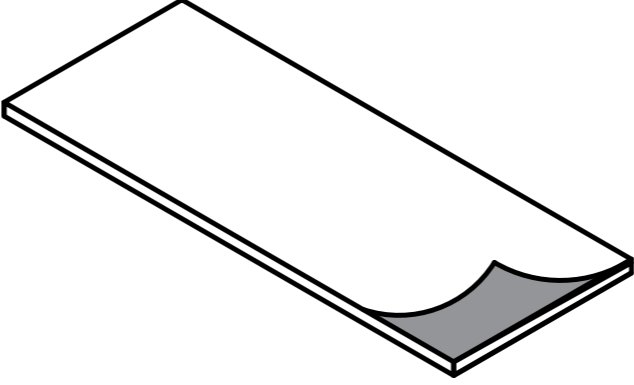


x 4

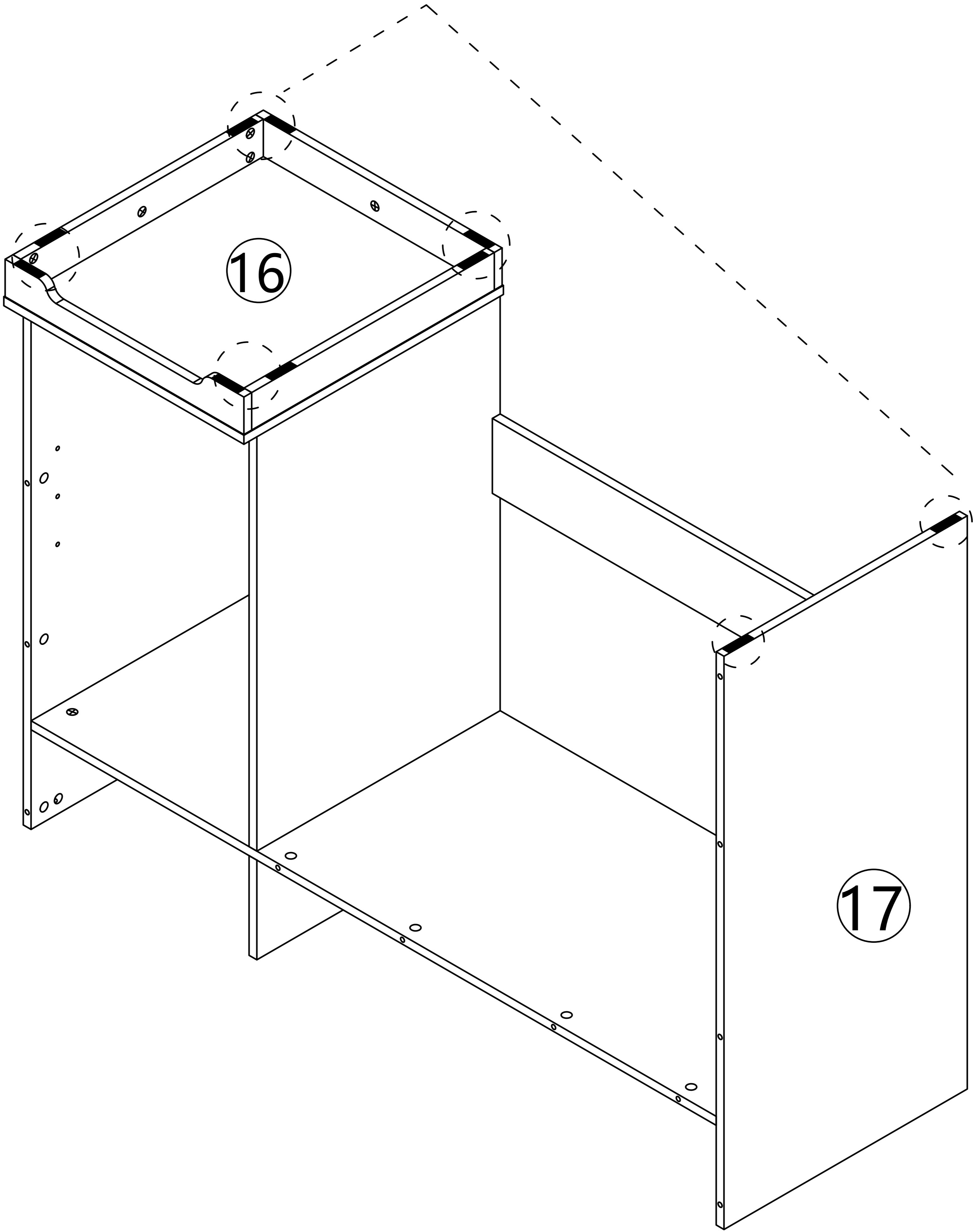


# Step 30

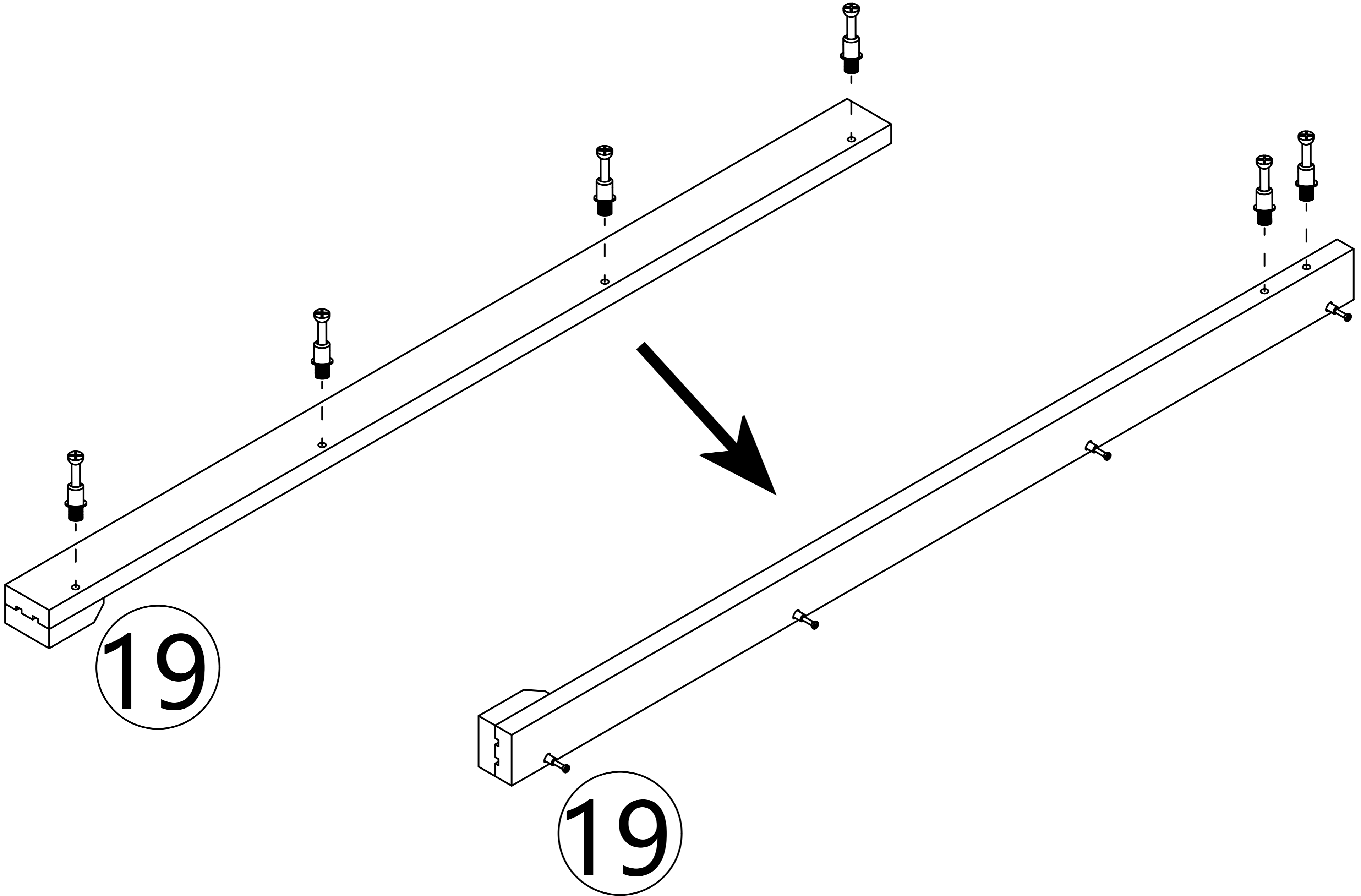
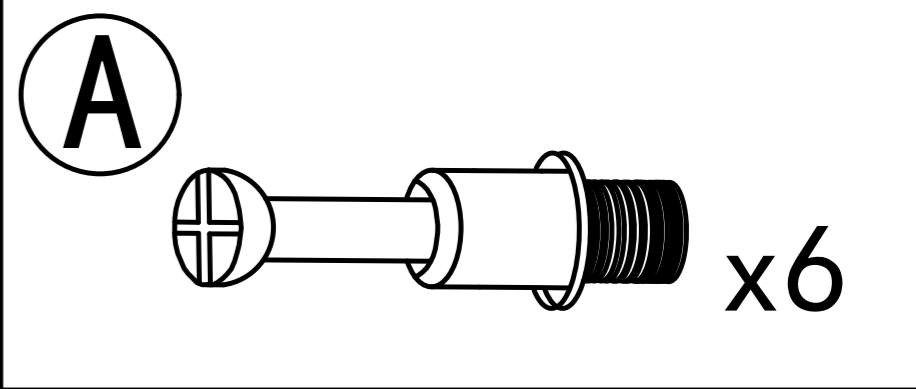
ⓐ  x10

ⓐ 

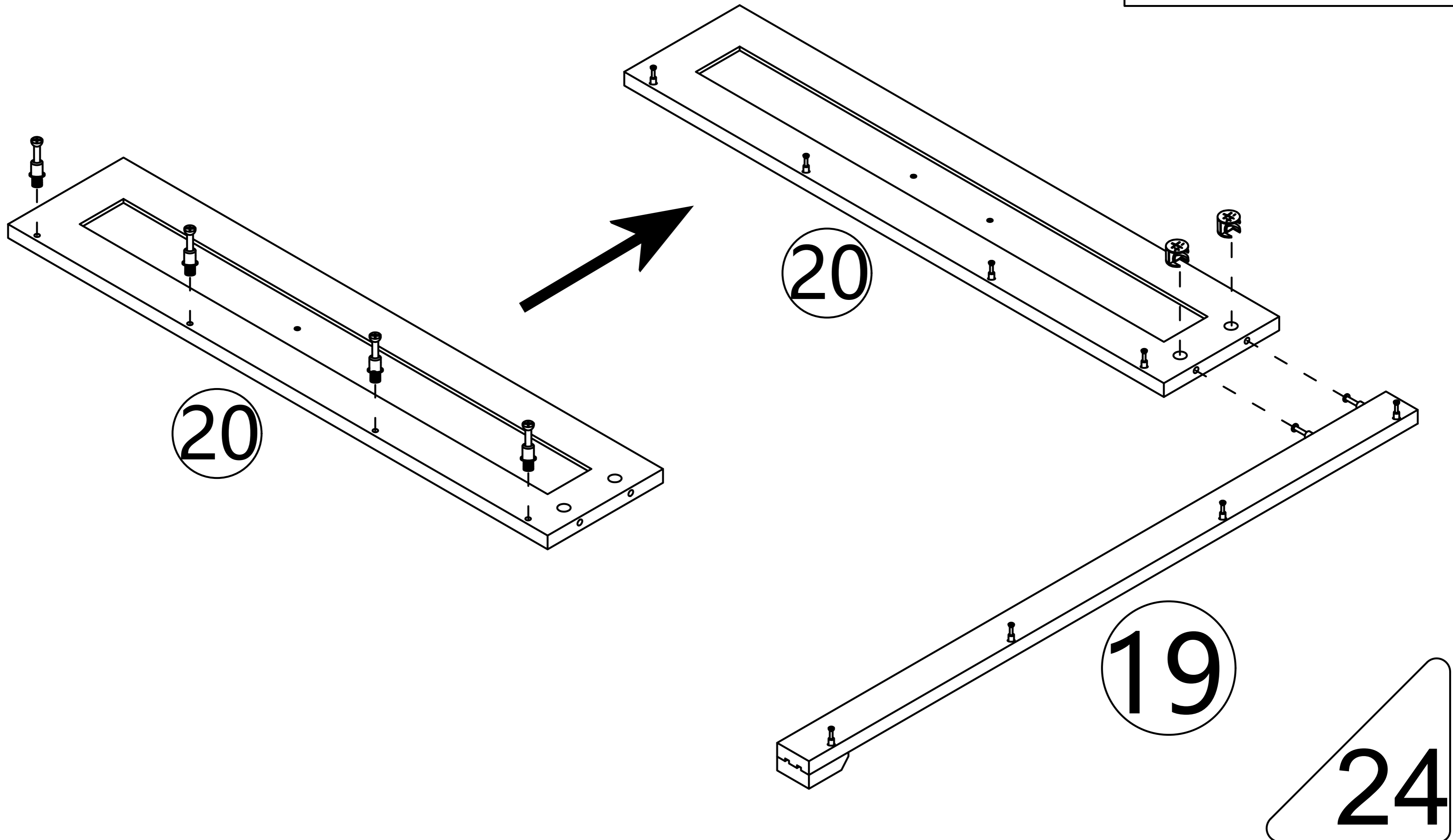
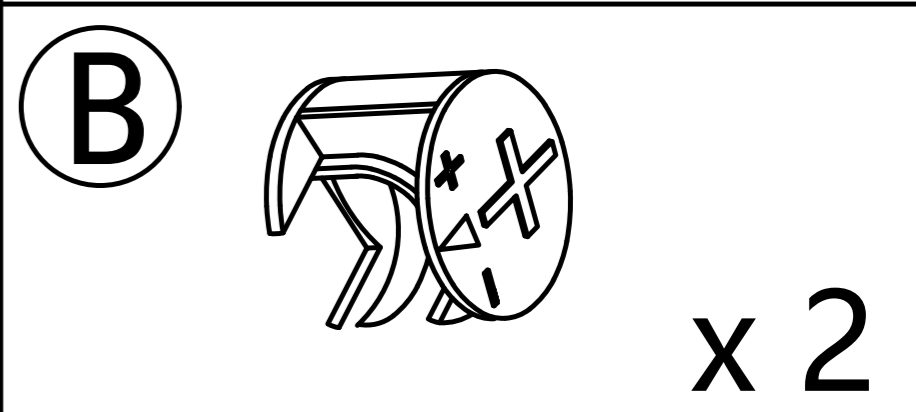
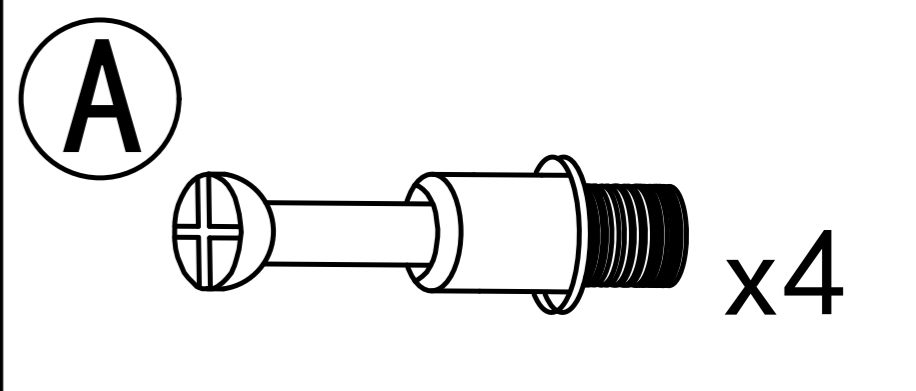
Remove the release paper and place the black mute pad on the board



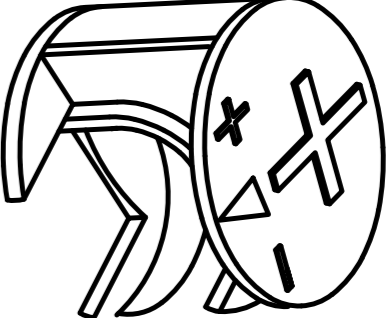
Step 31

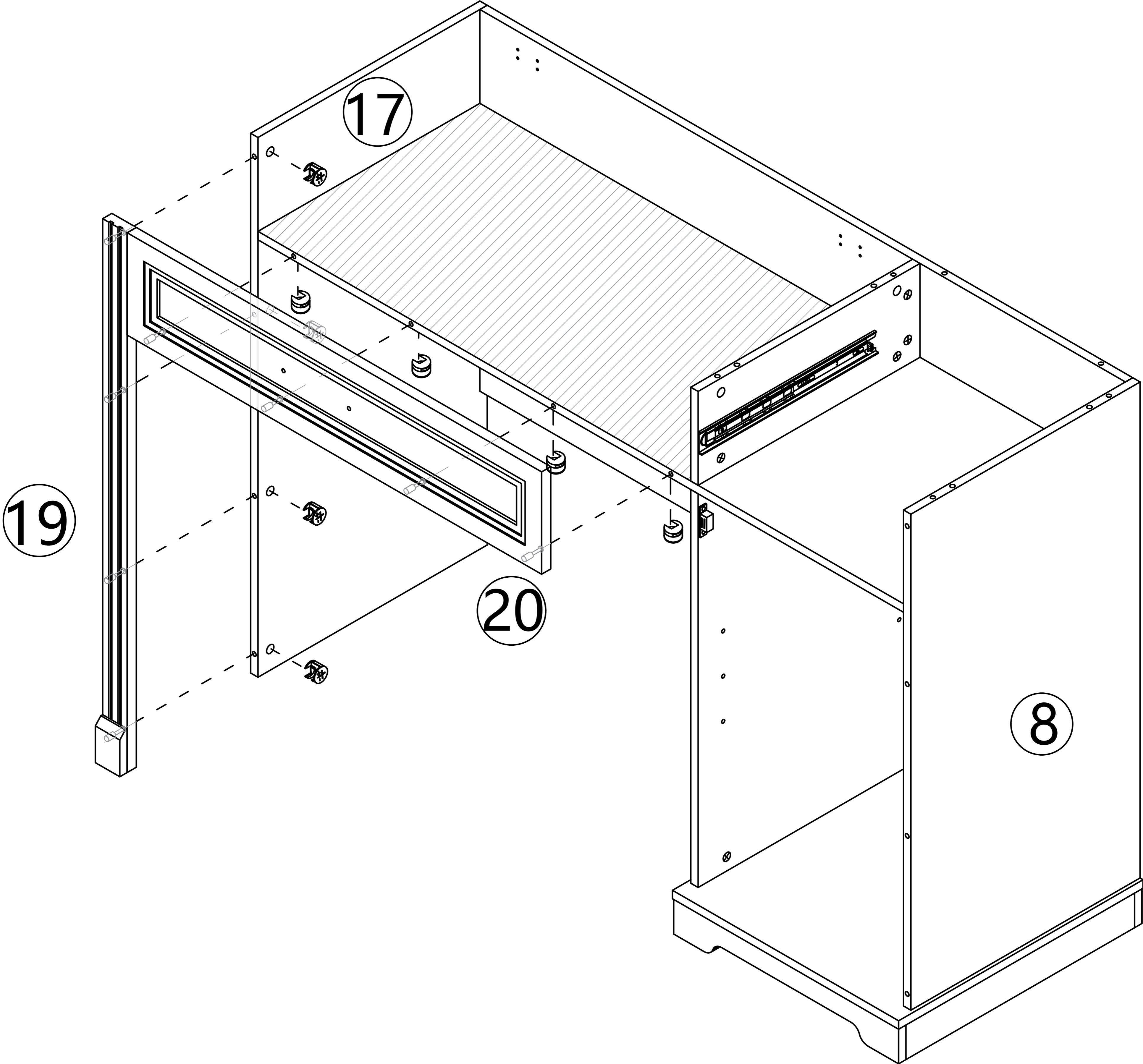


Step 32

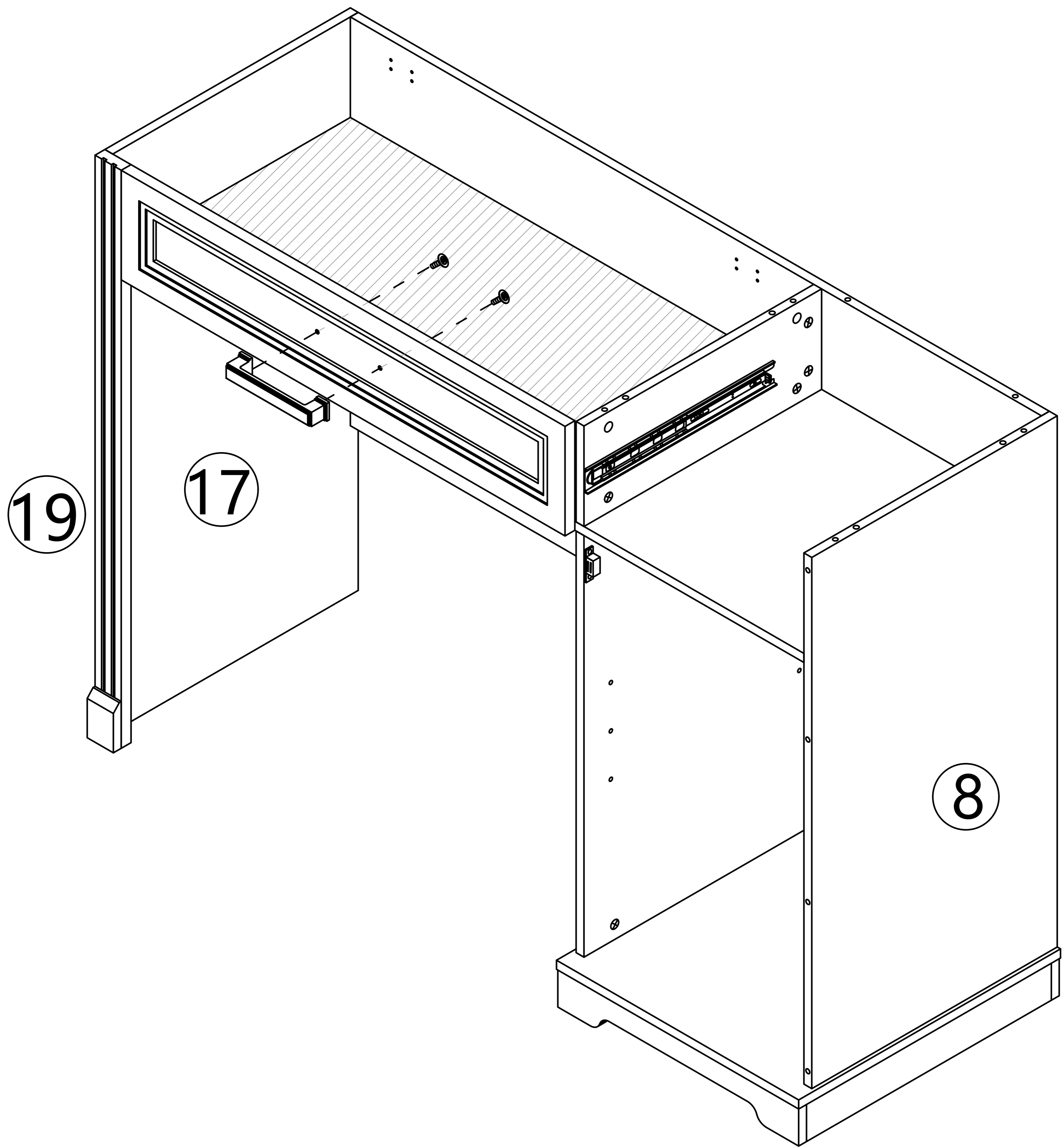
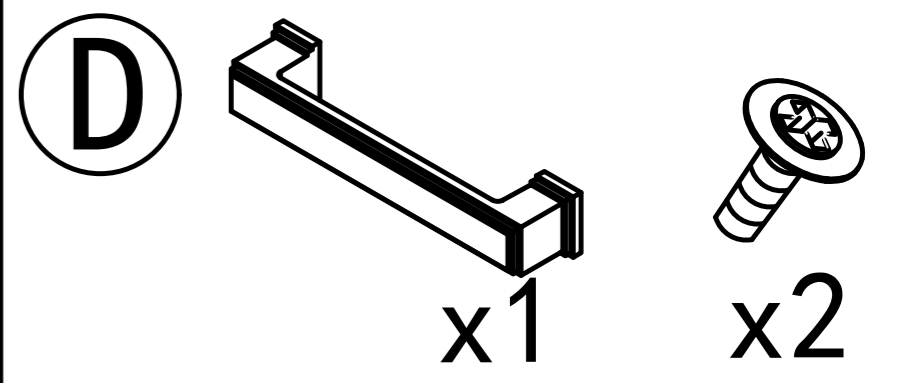


Step 33

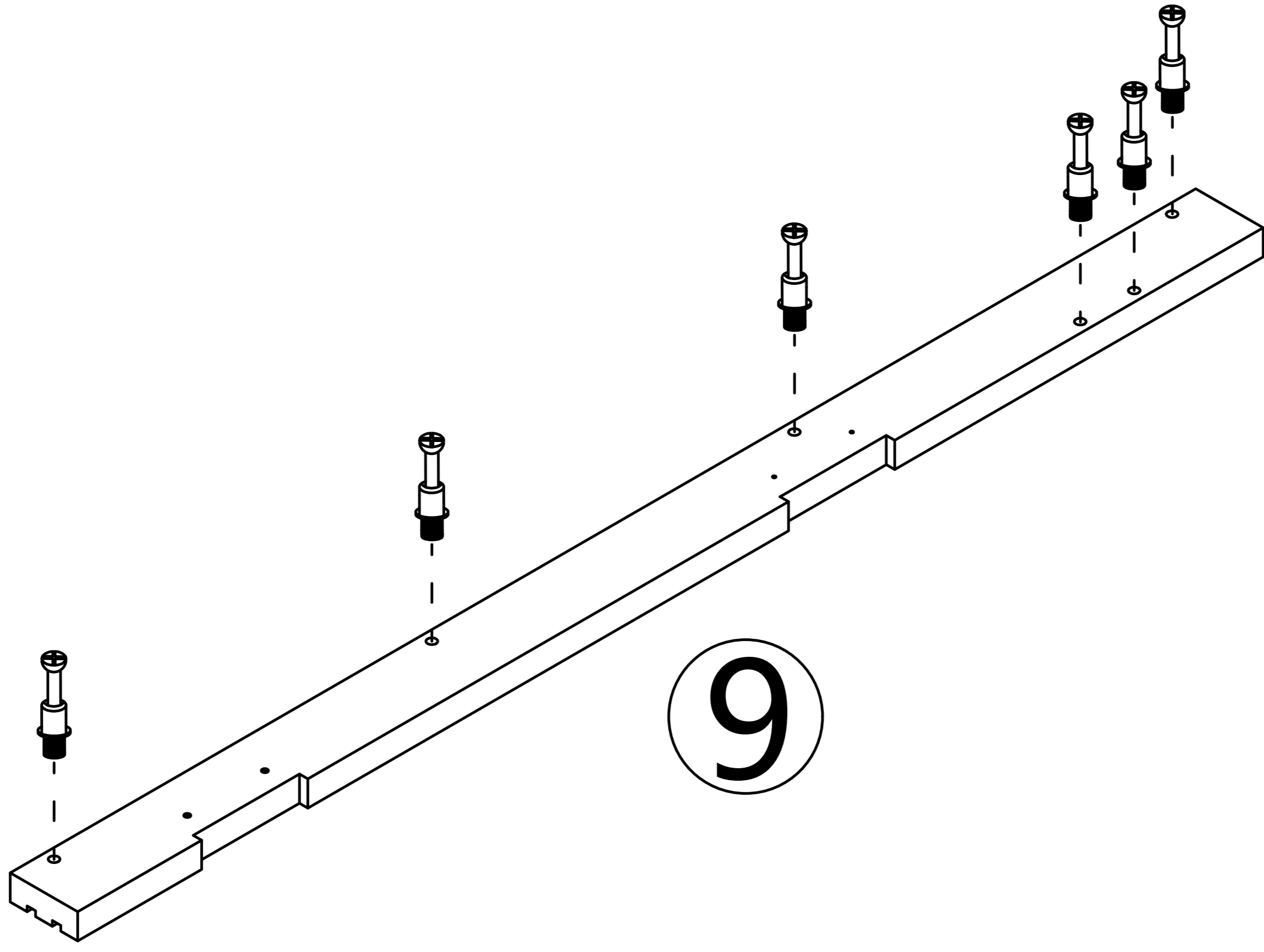
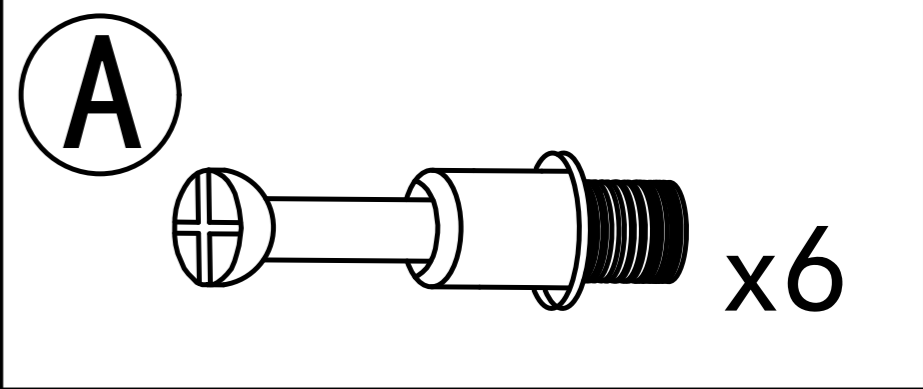
(B)  x 8



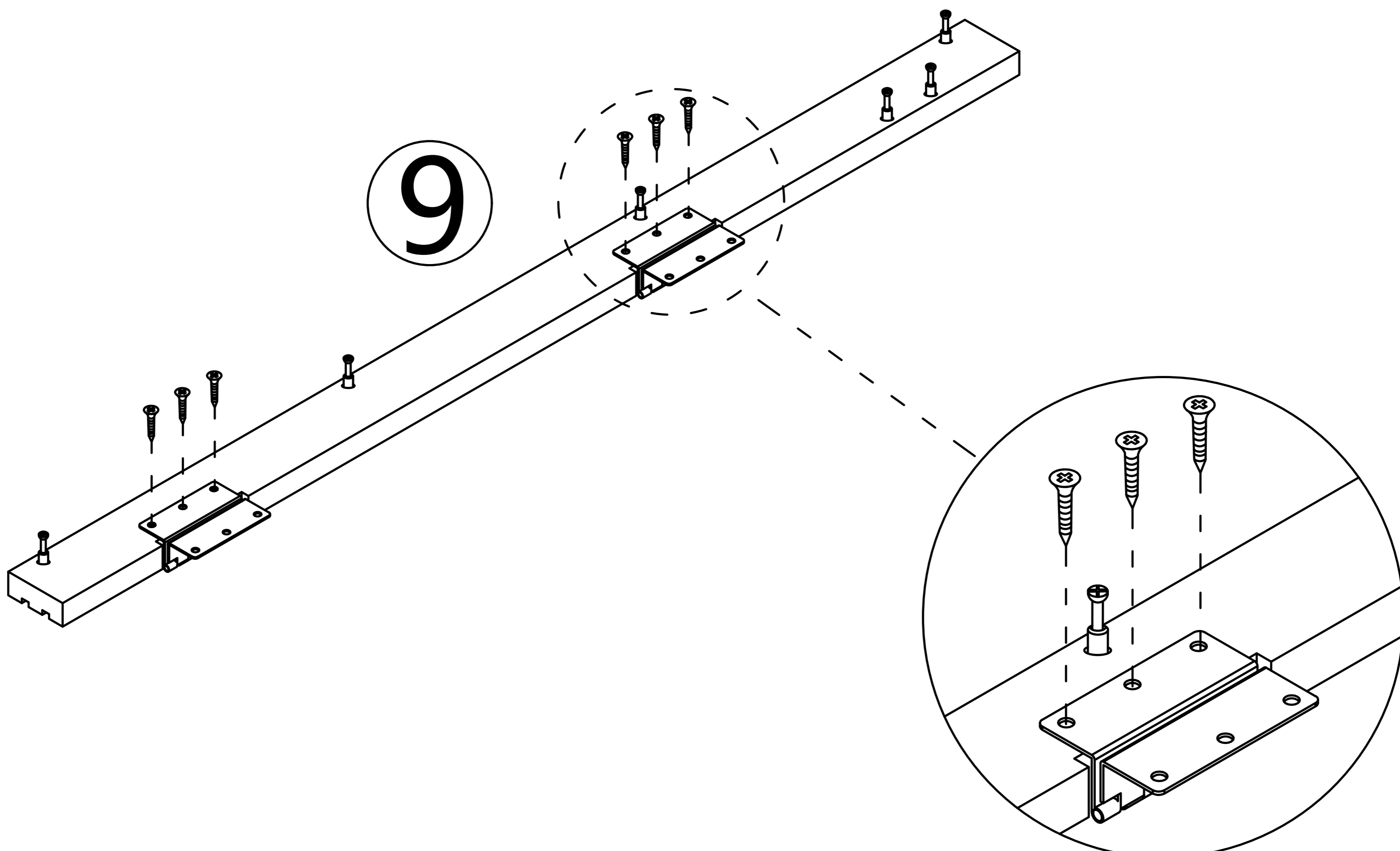
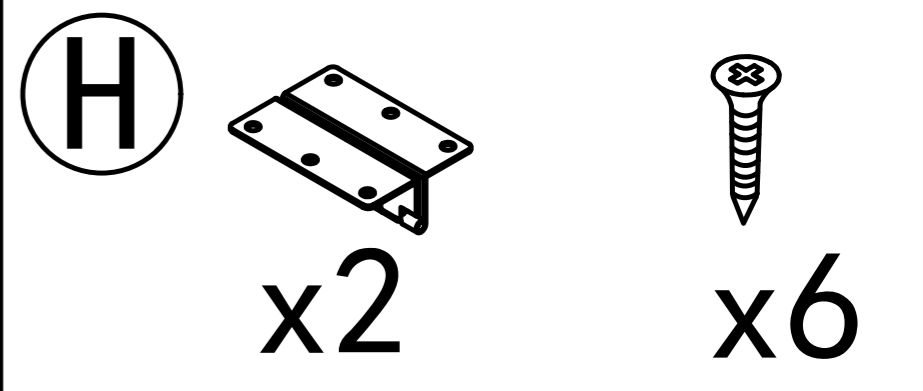
Step 34



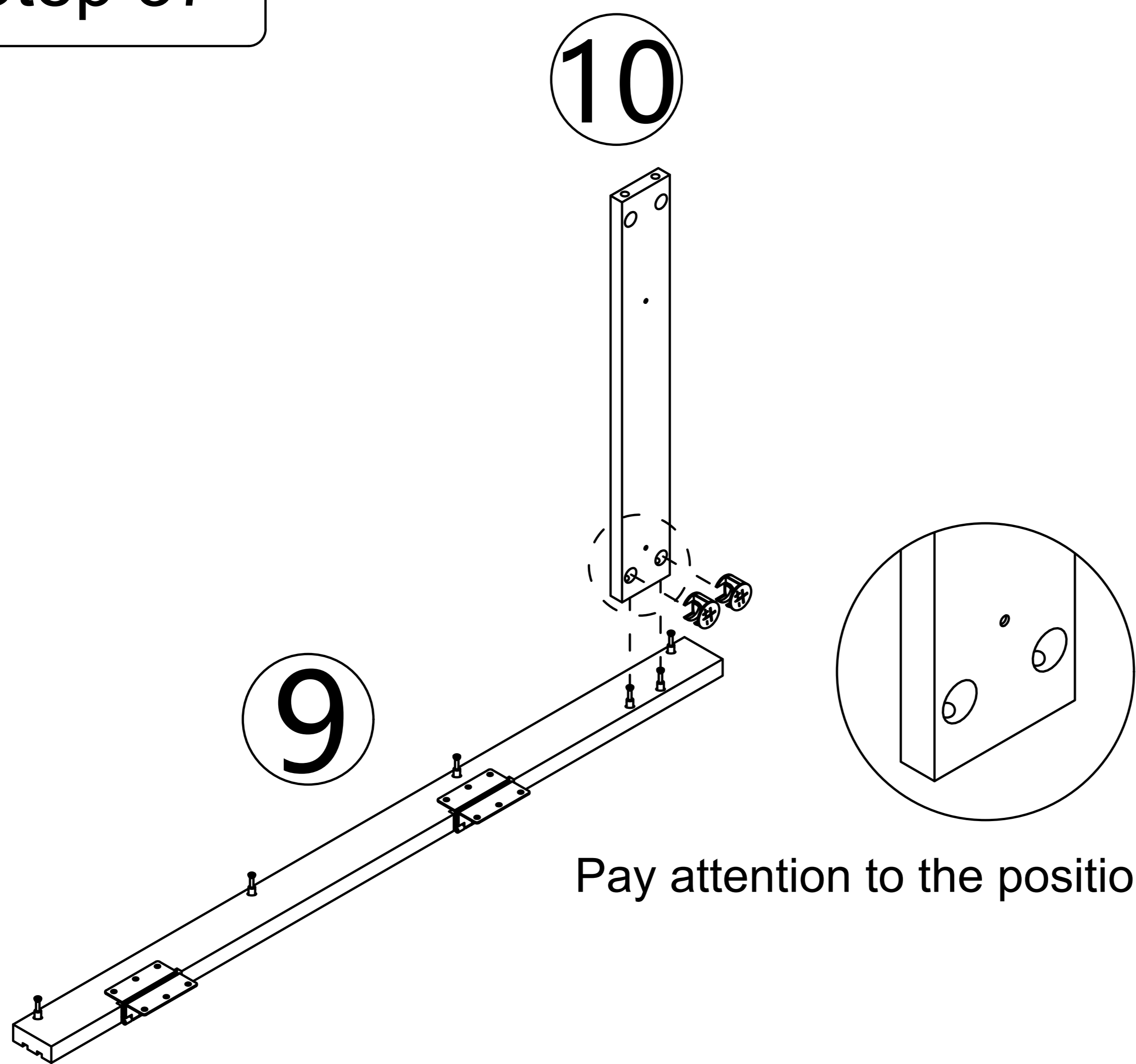
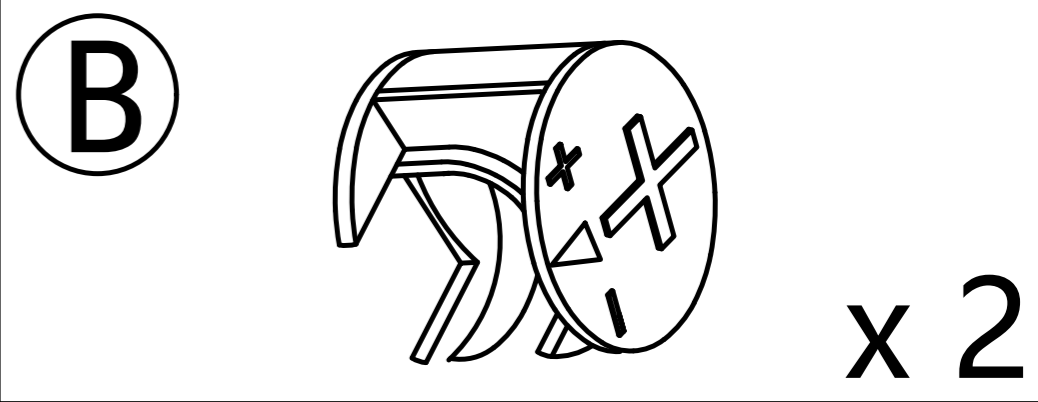
Step 35



Step 36

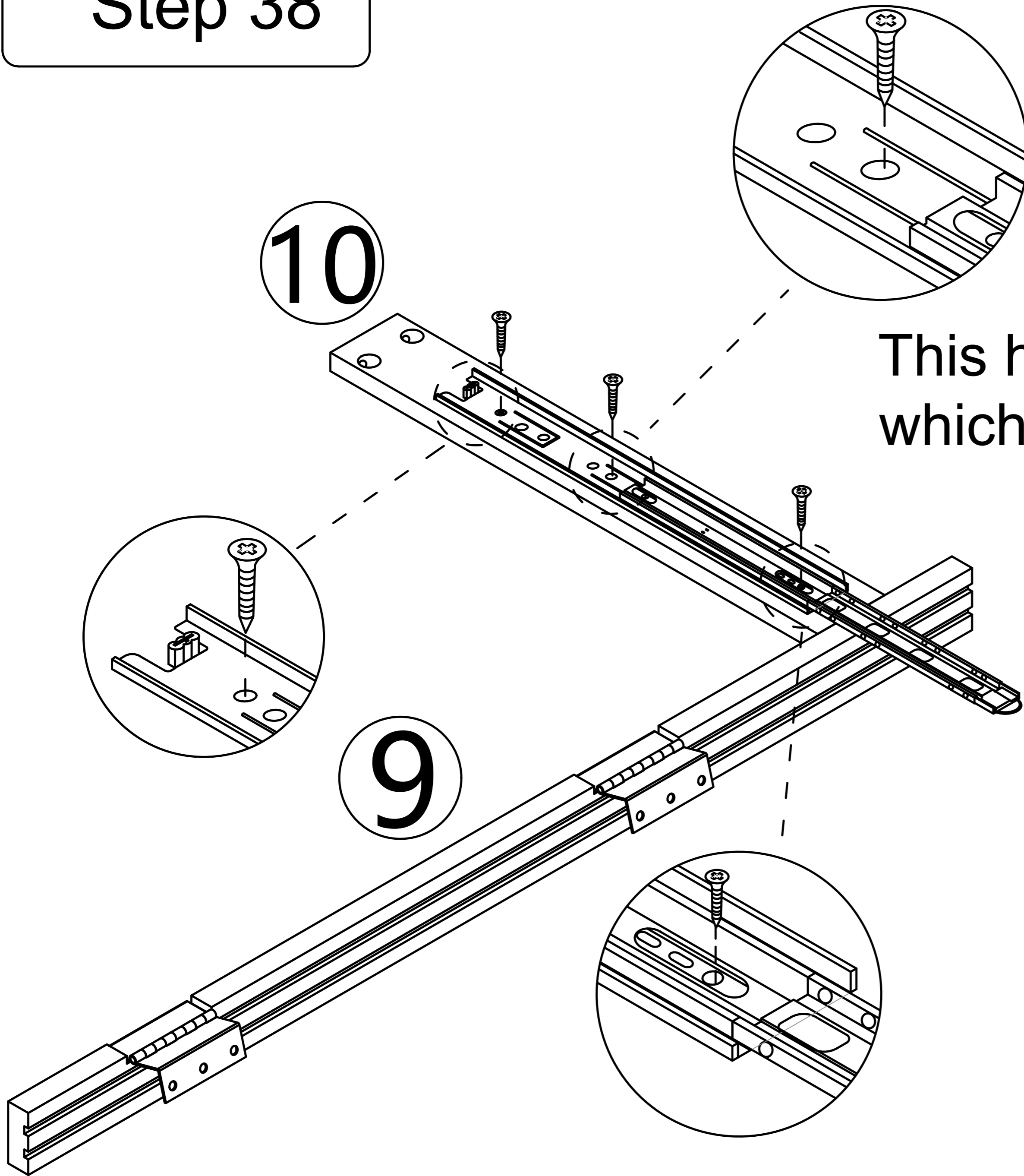
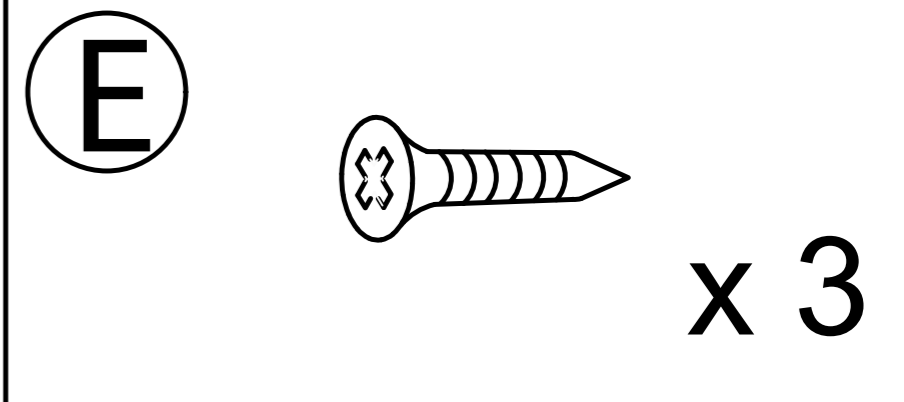
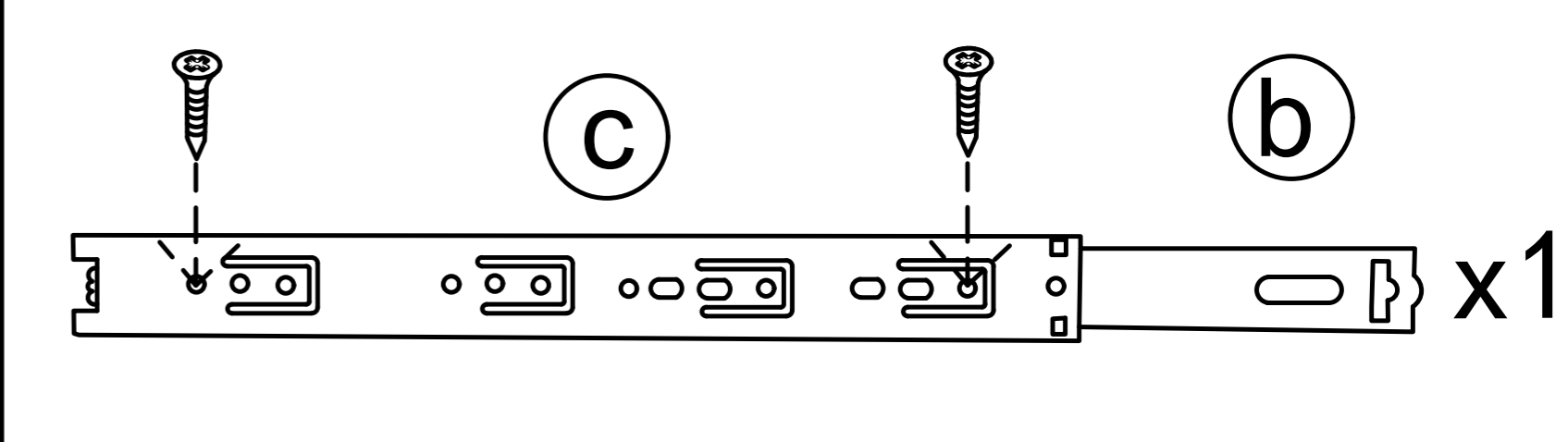


Step 37



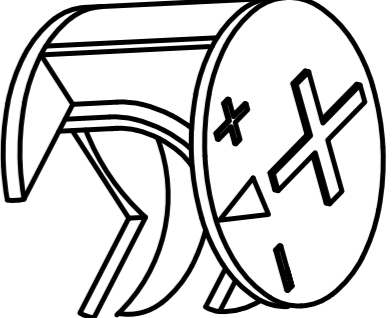
Pay attention to the position of the holes when installing

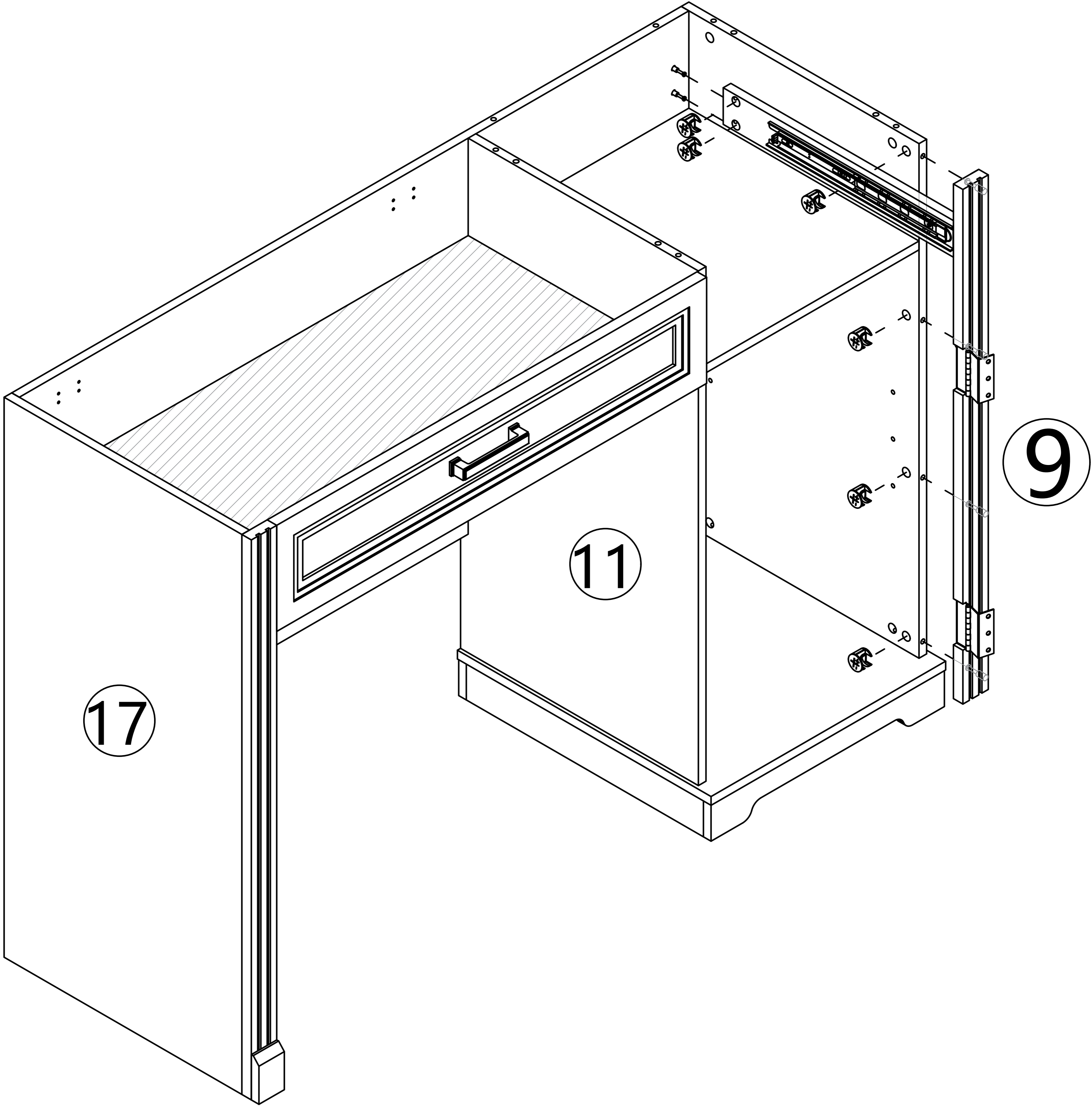
Step 38



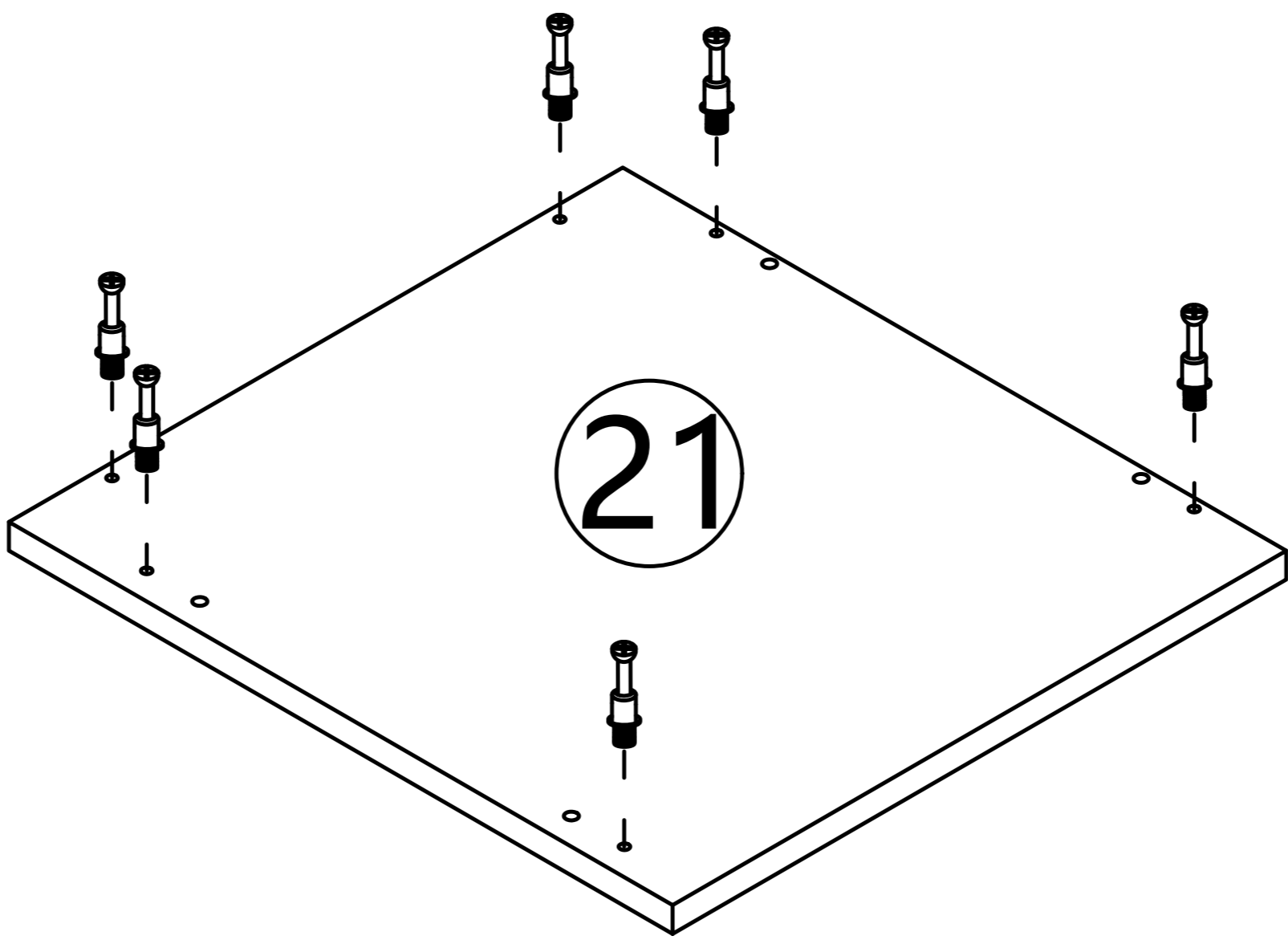
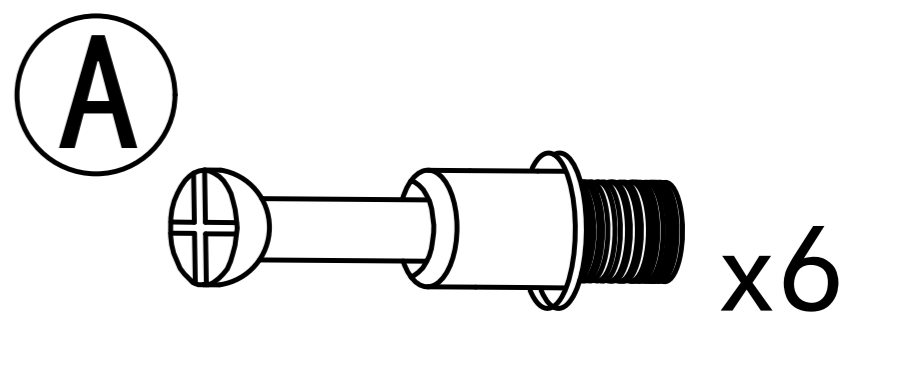
This hole is a reinforced fixing hole which can be installed as required

Step 39

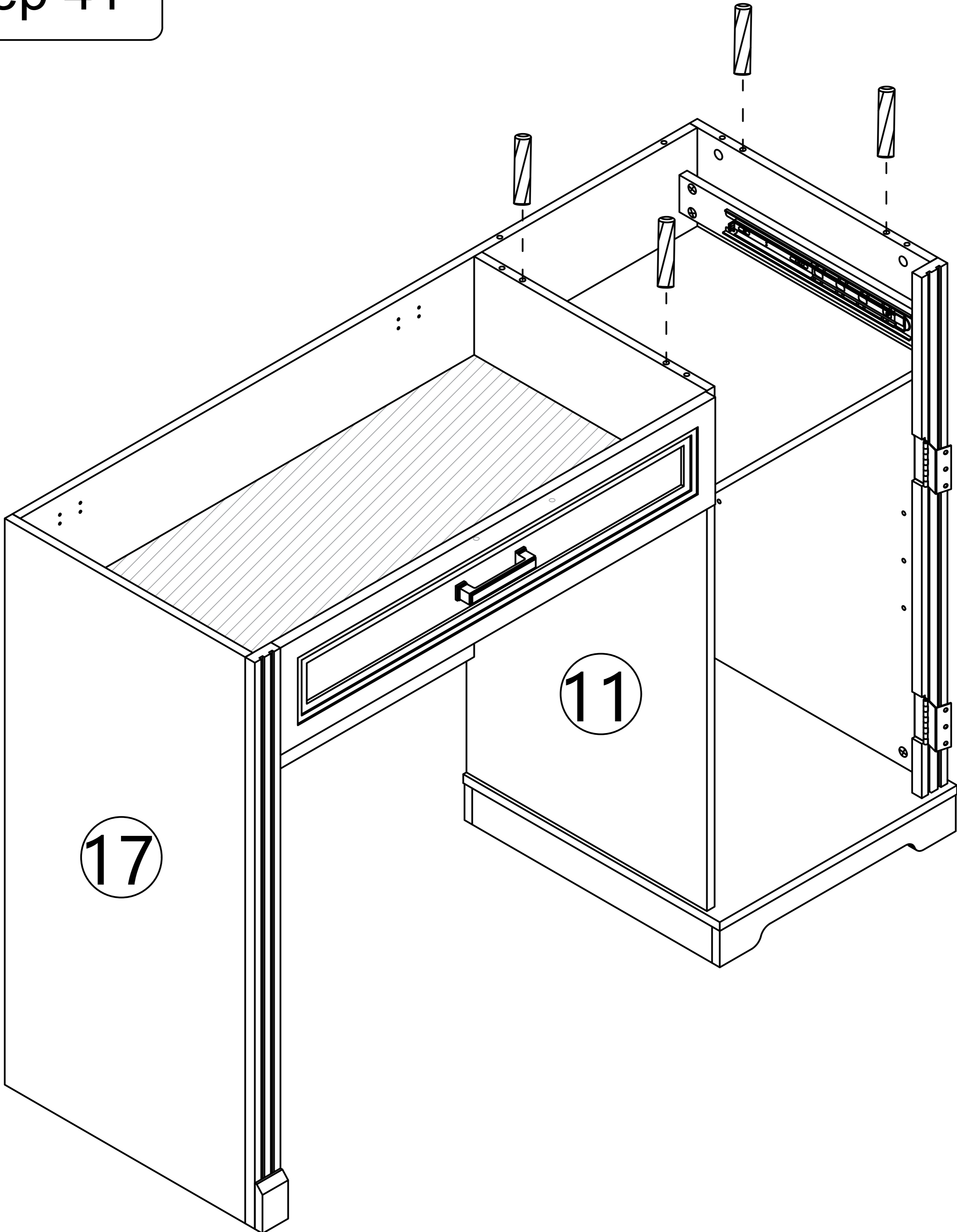
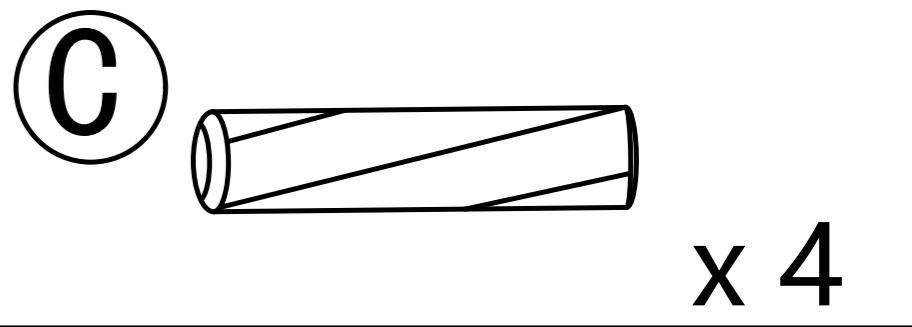
(B)  x 6



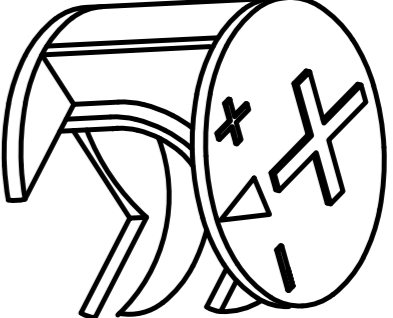
Step 40

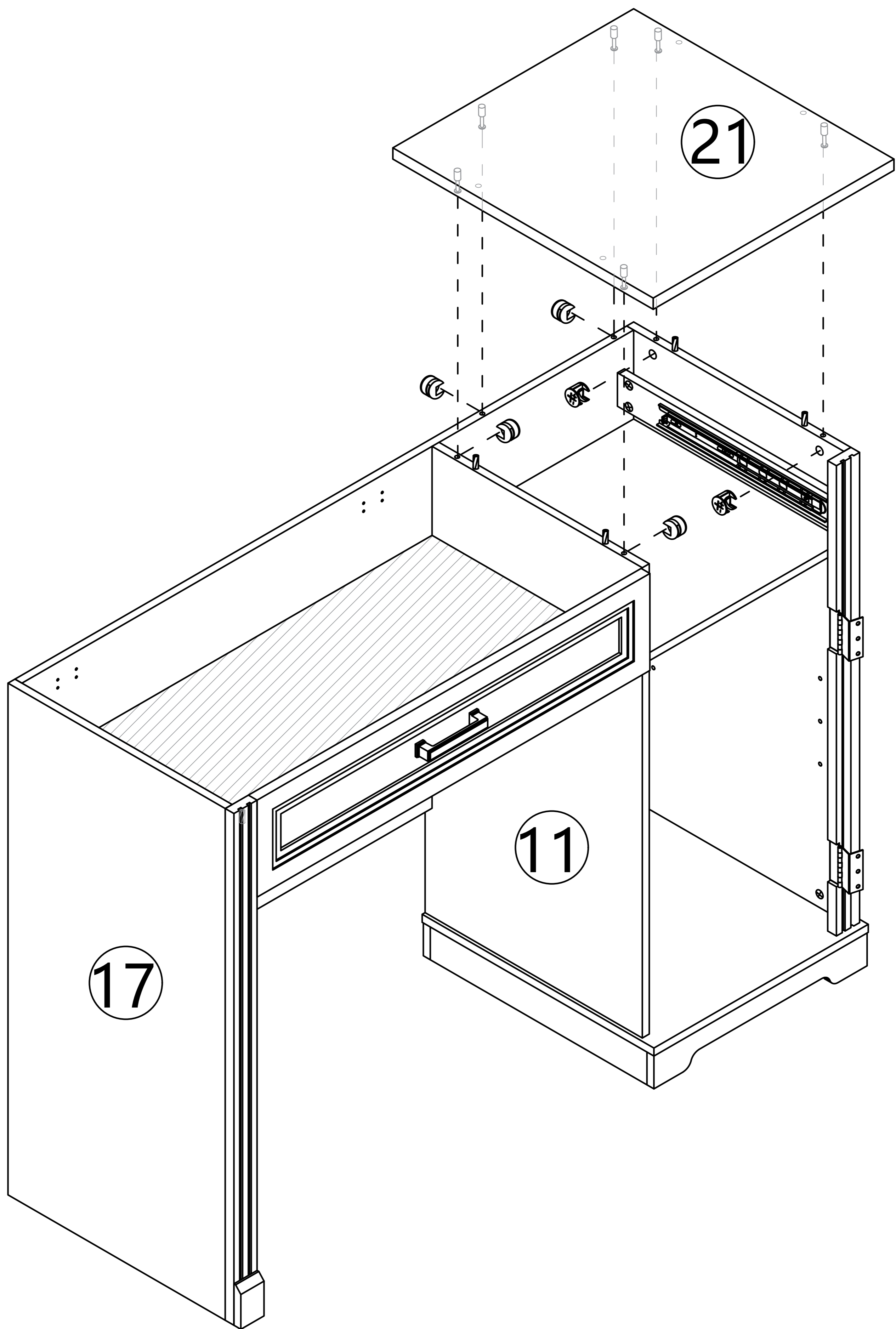


Step 41

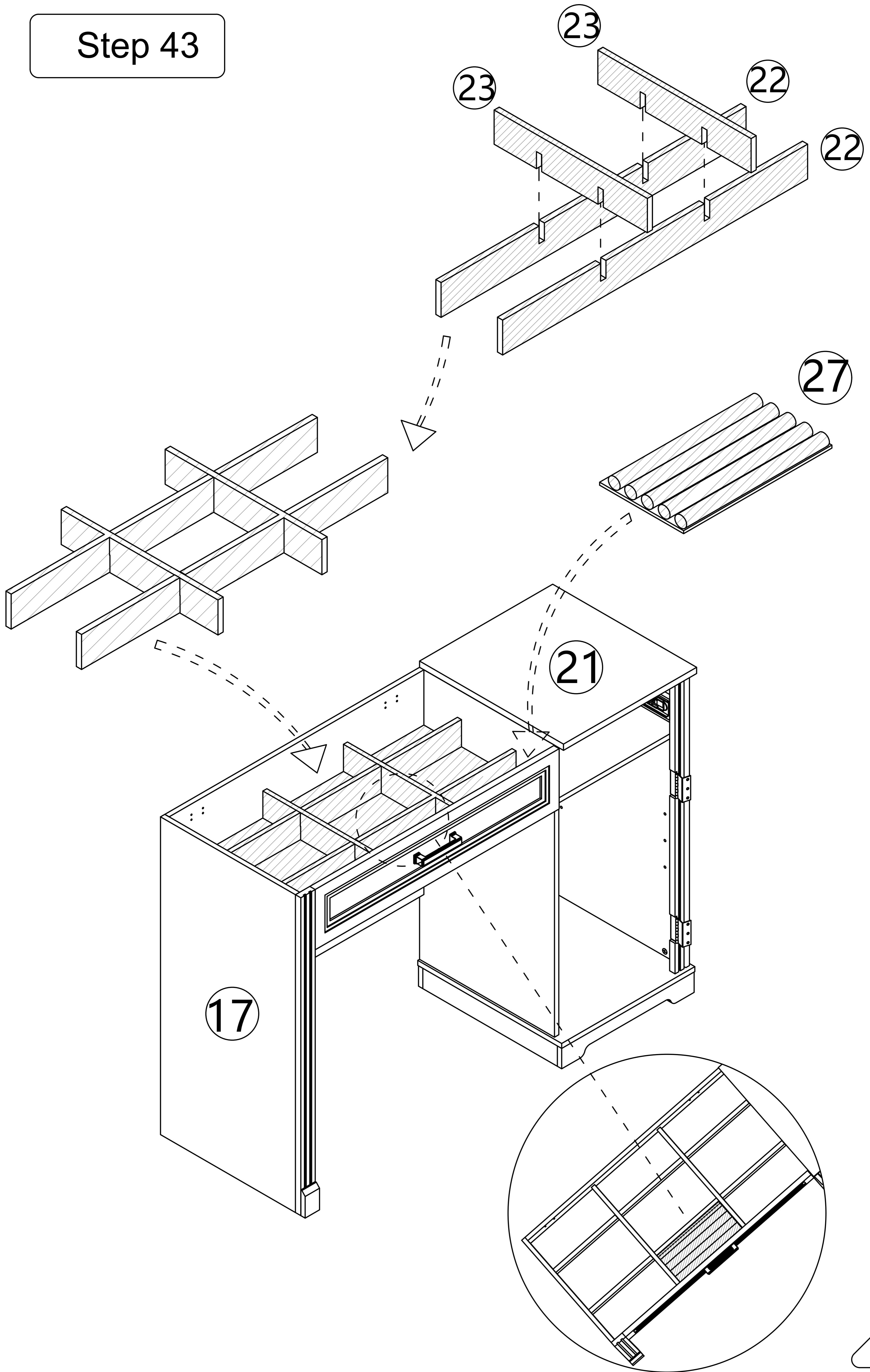


Step 42

(B)  x 6

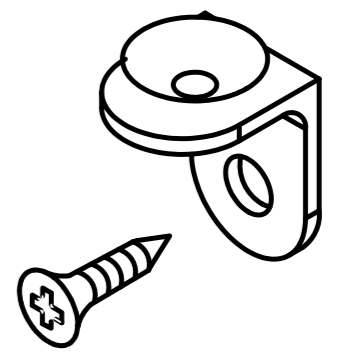


Step 43

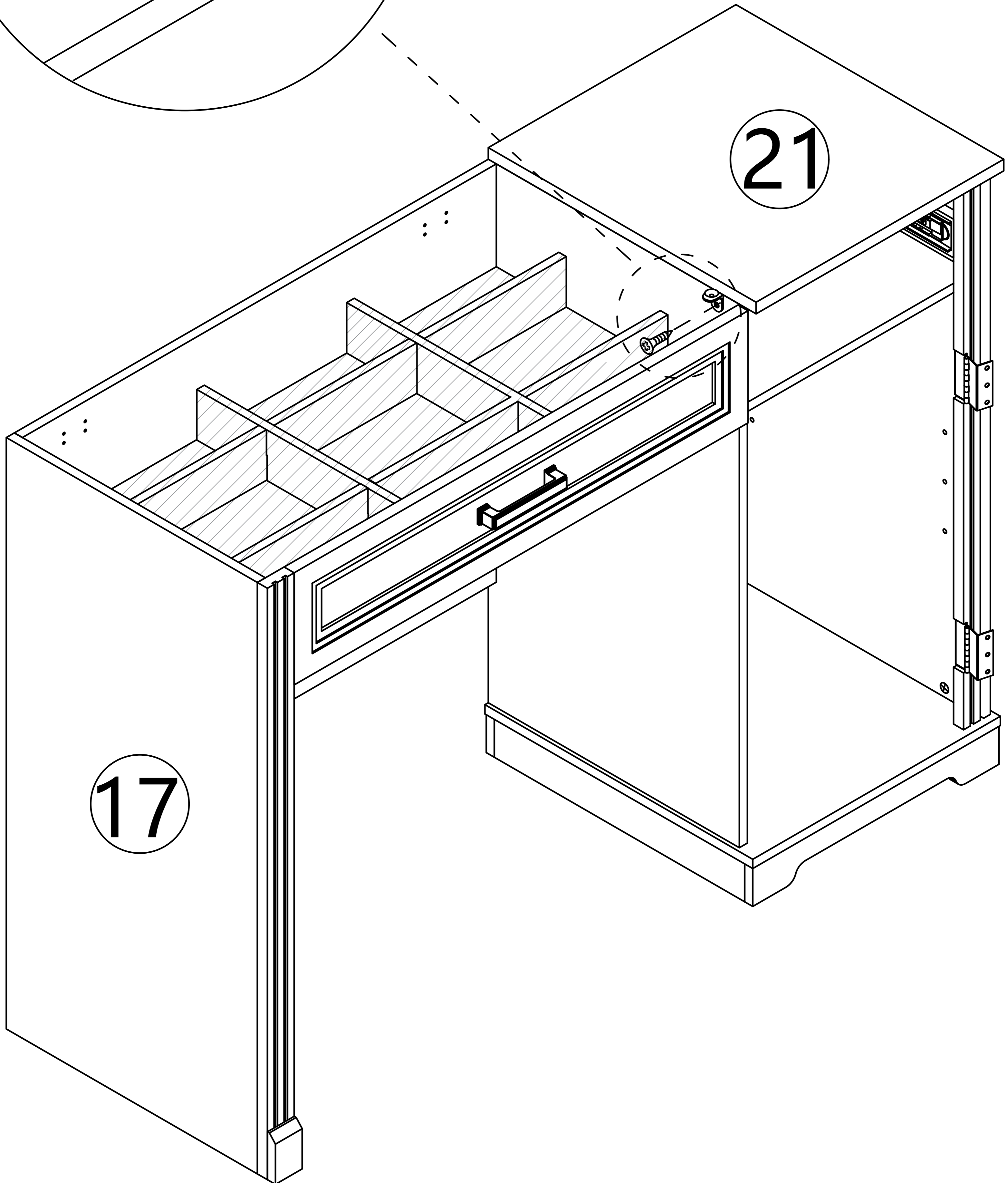
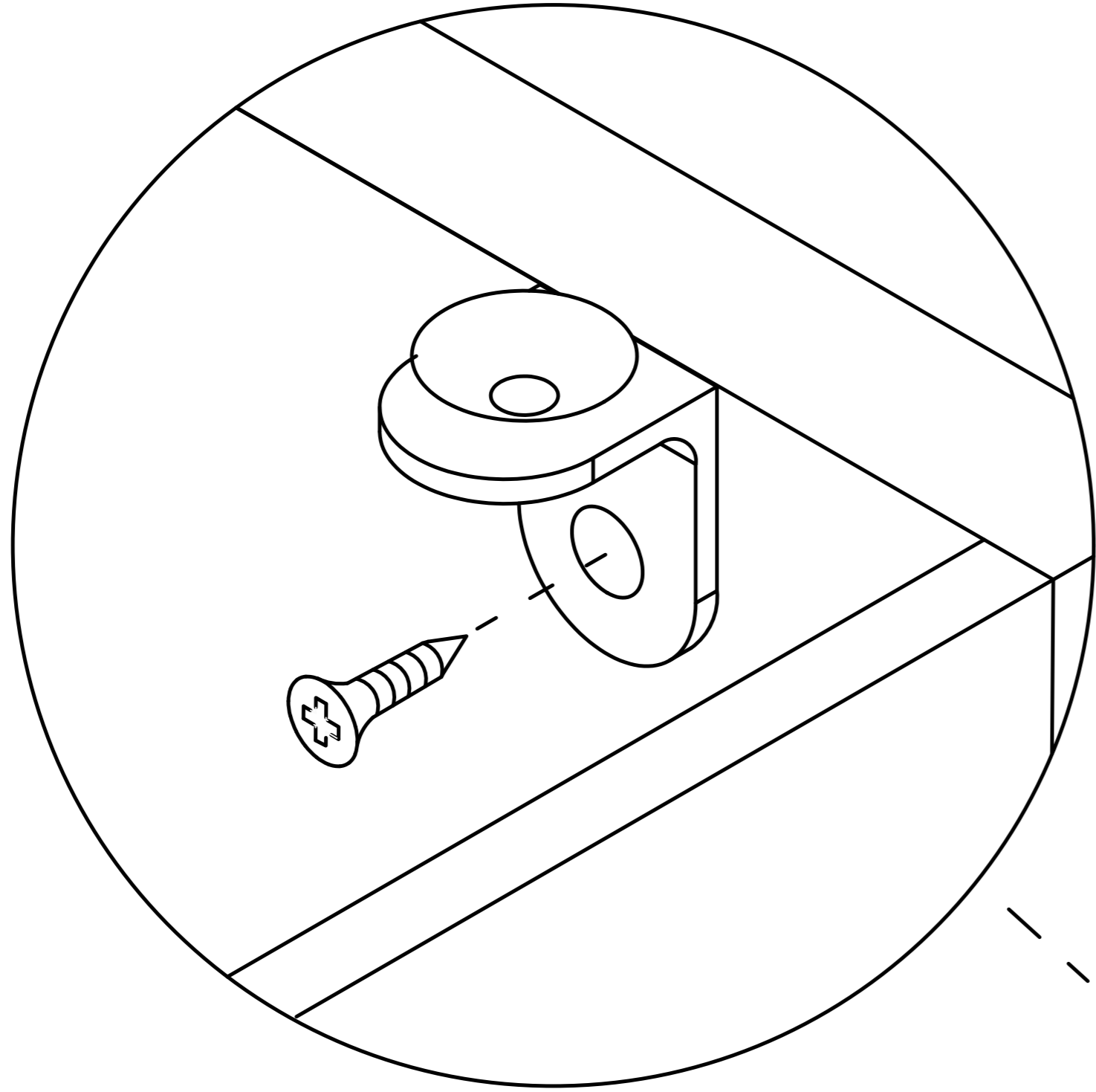


Step 44


N

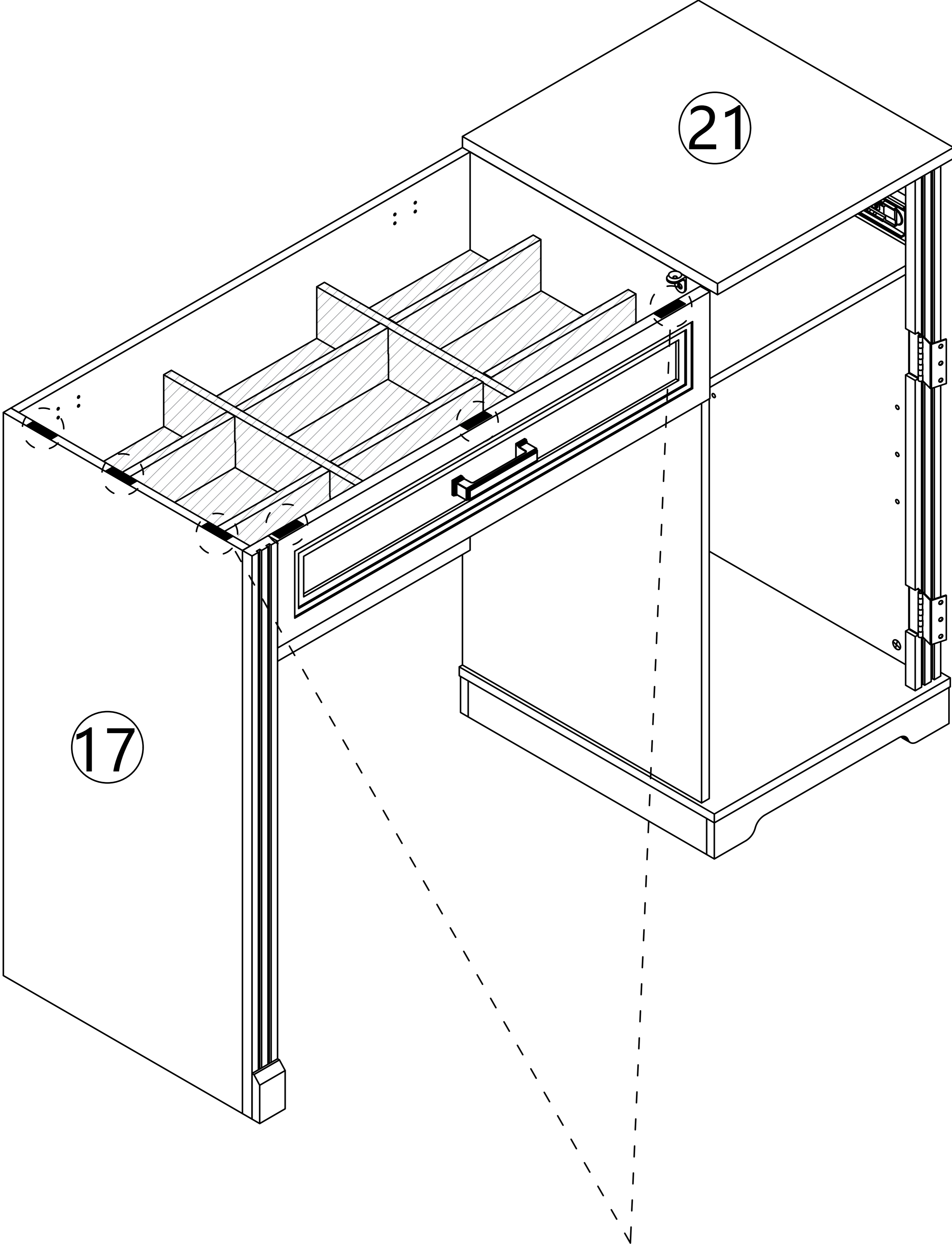


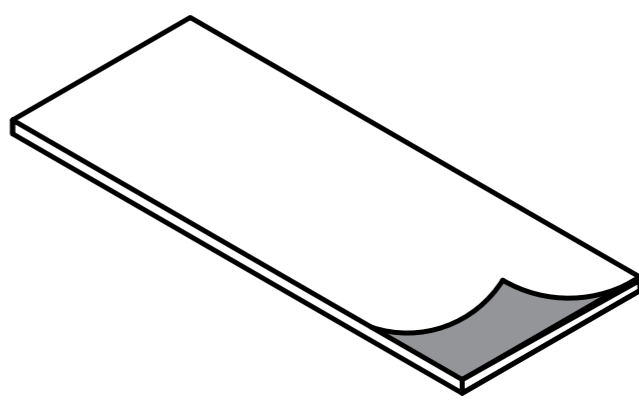
x1



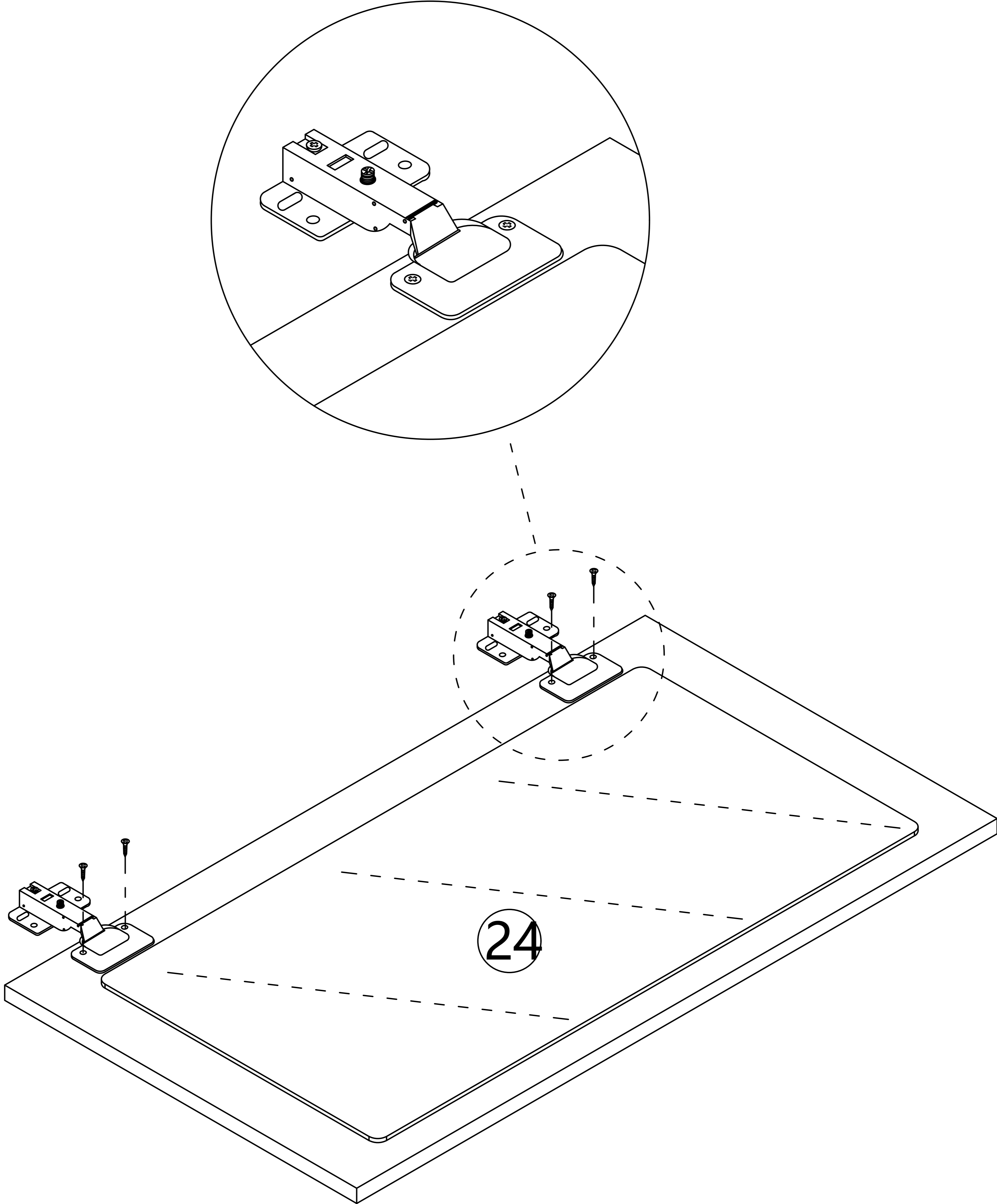
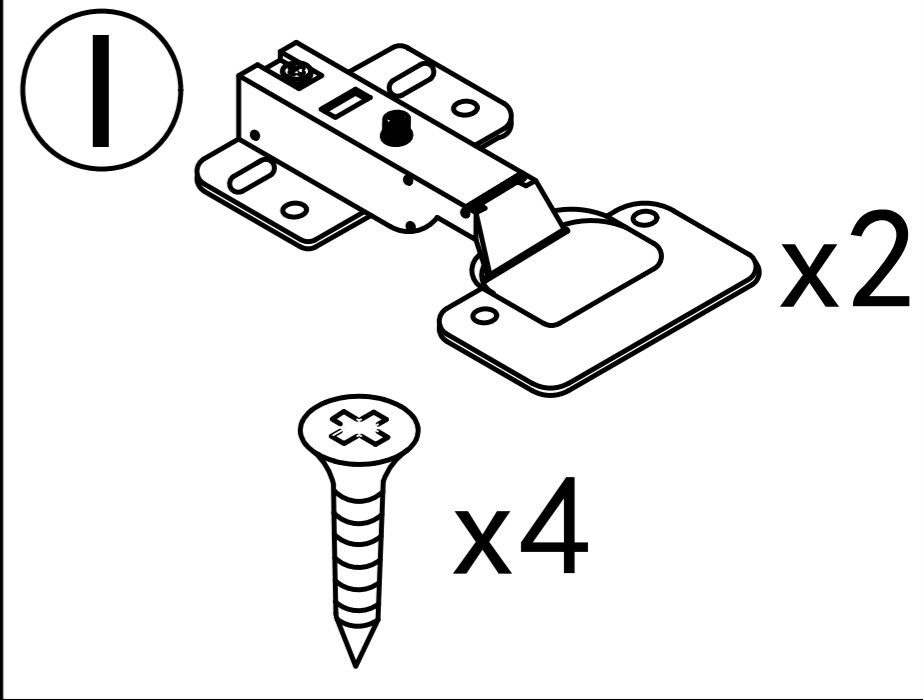
Step 45

G  x6

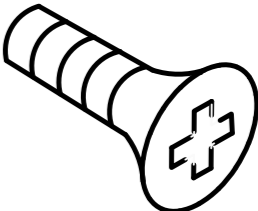


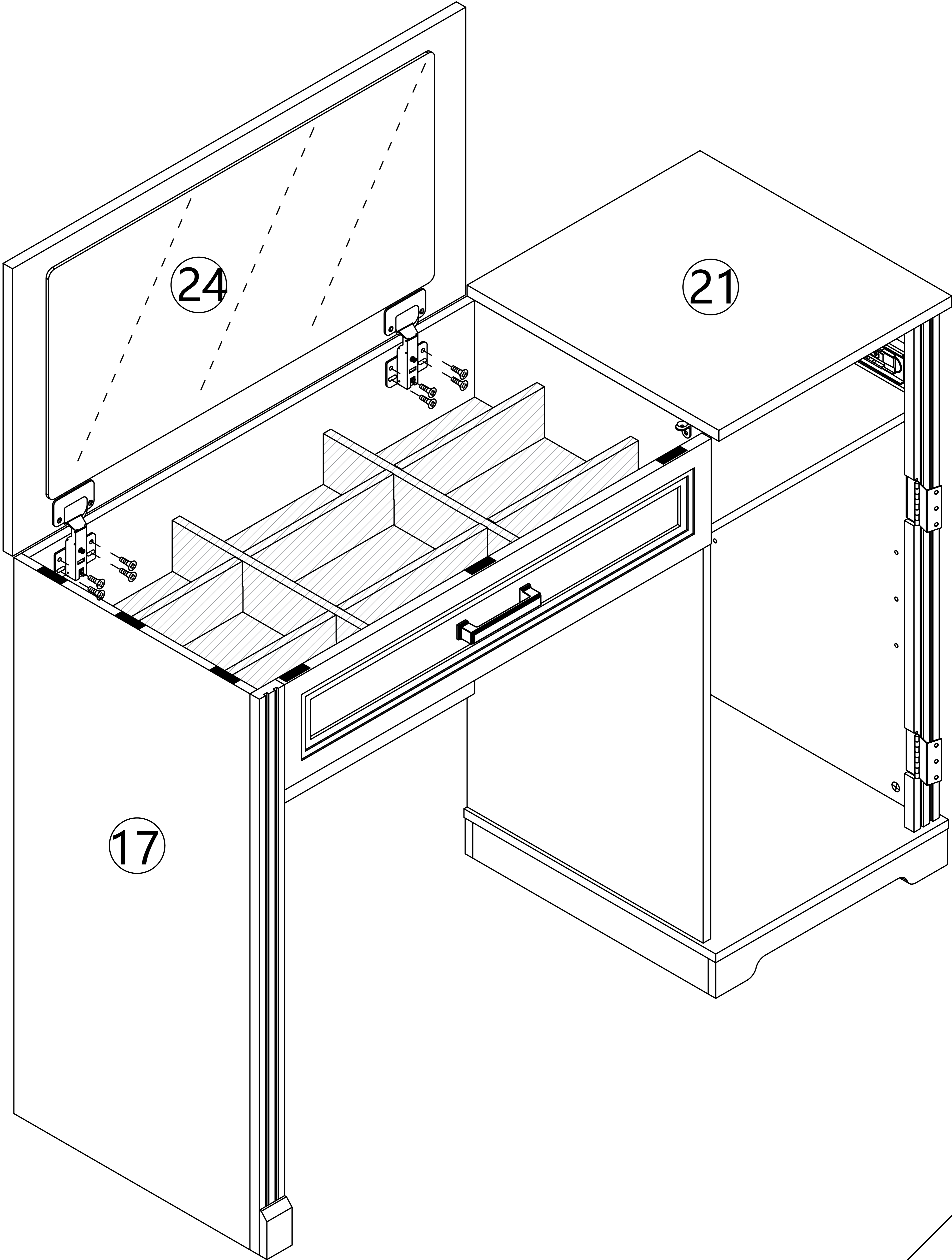
G   
Remove the release paper and place the black mute pad on the board

Step 46

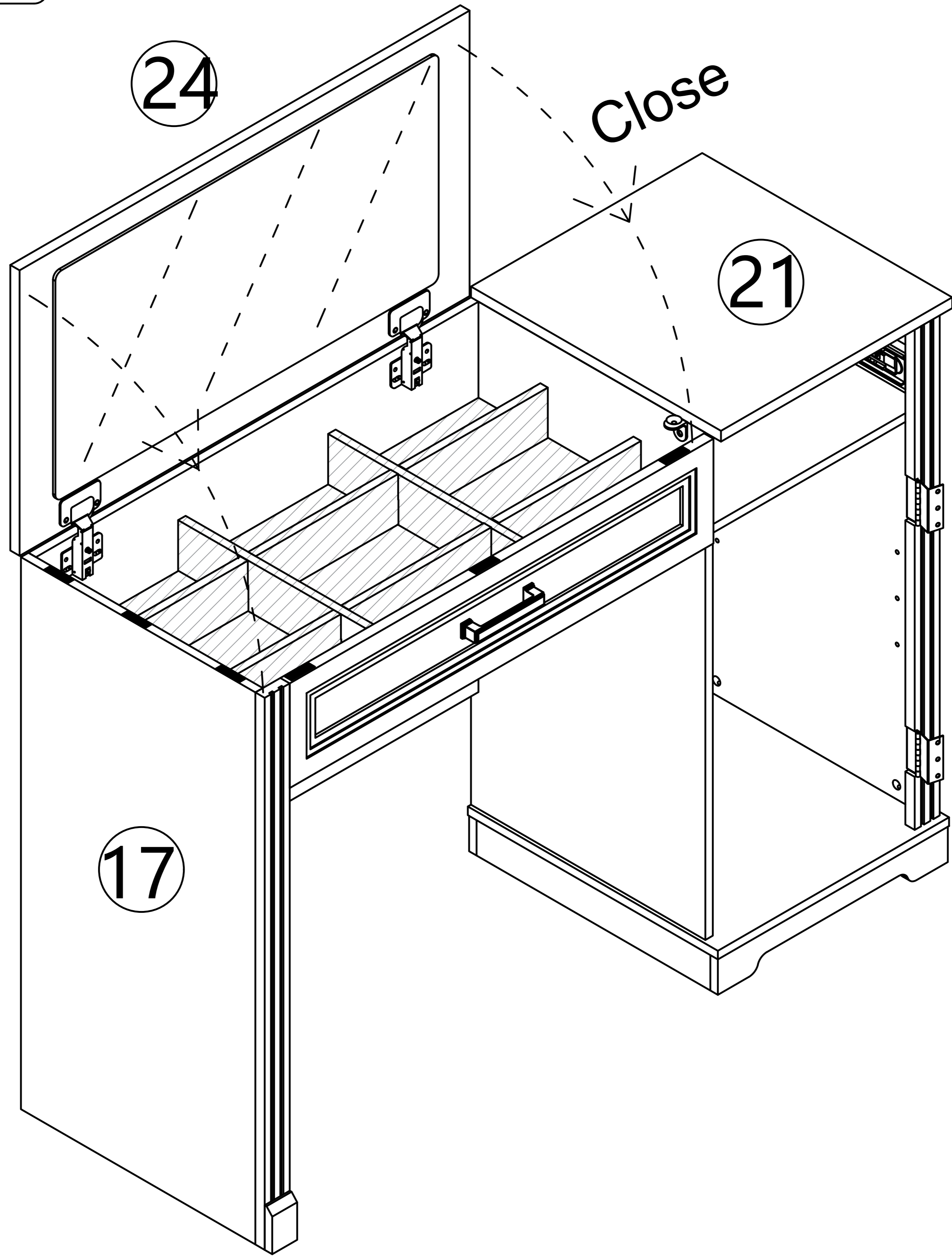


Step 47

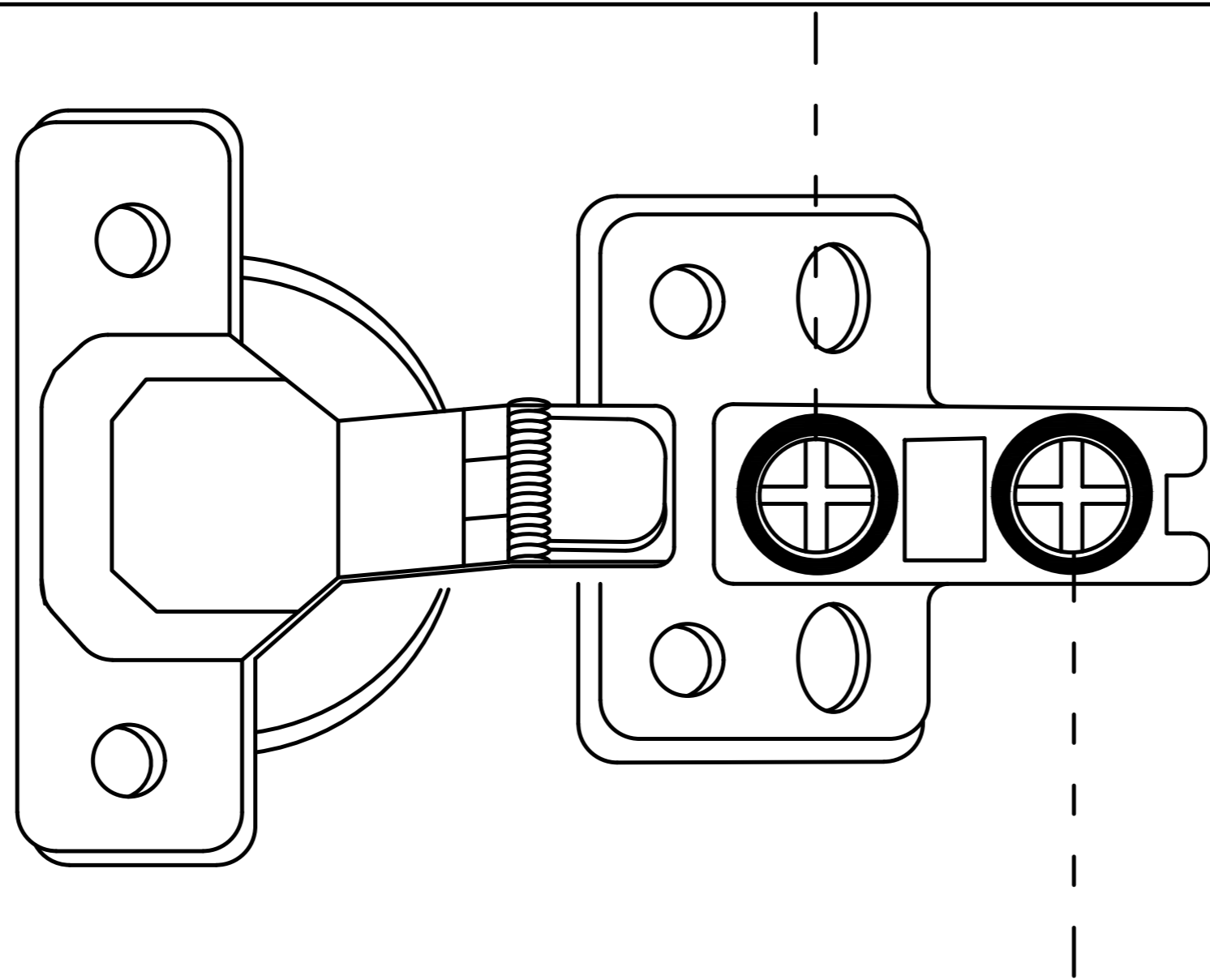
ⓐ  x8



Step 48

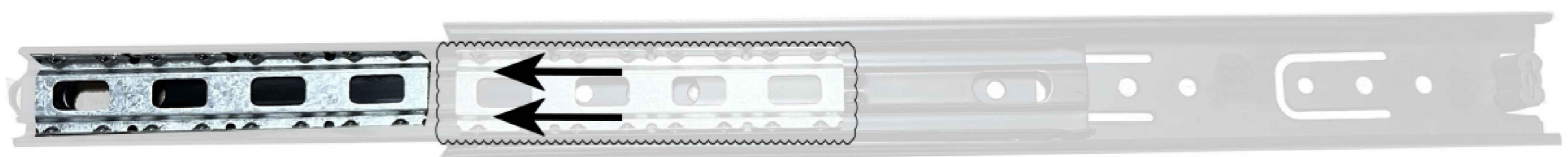
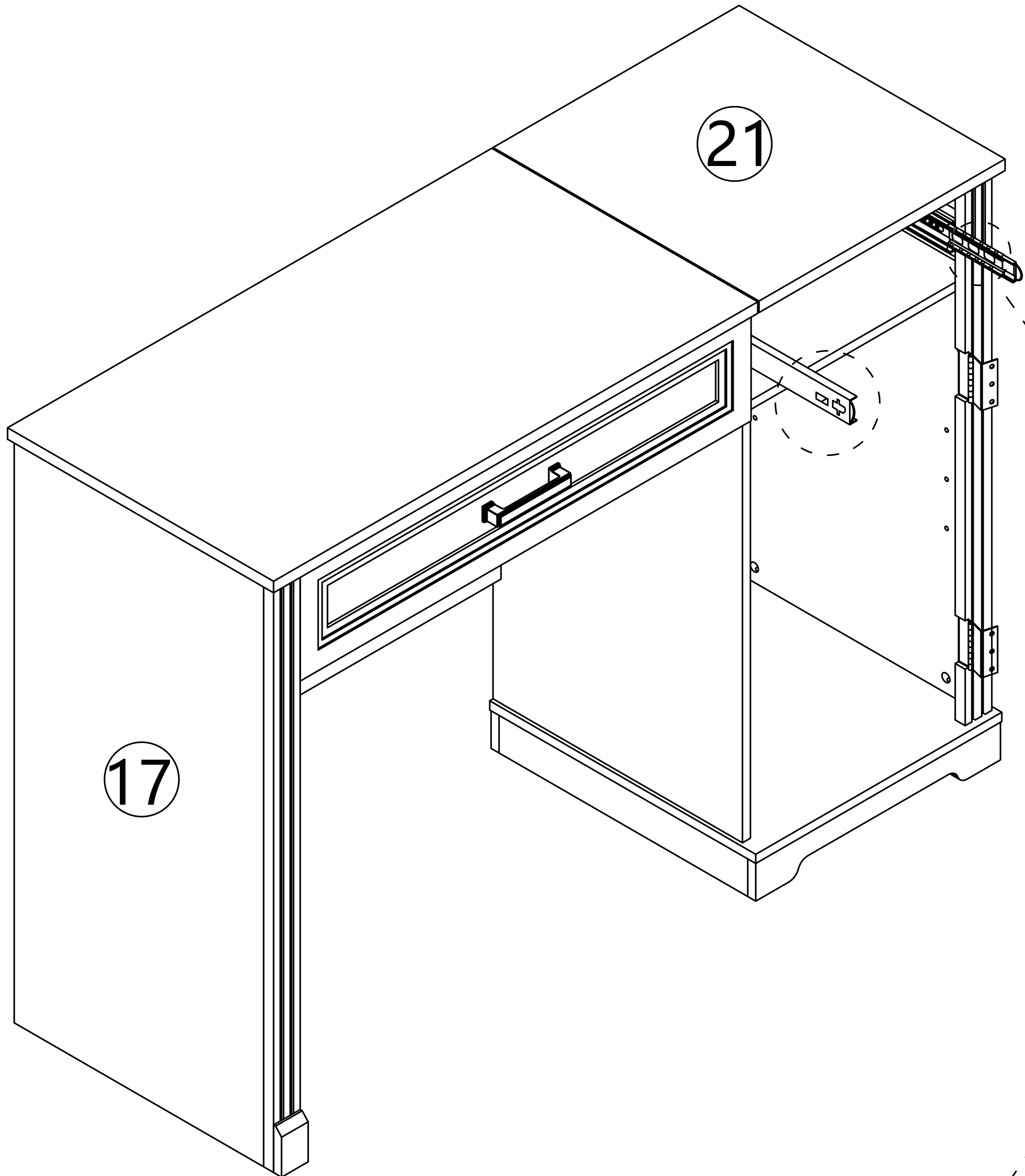


Turning this screw can effectively adjust the size of the mirror plate gap.



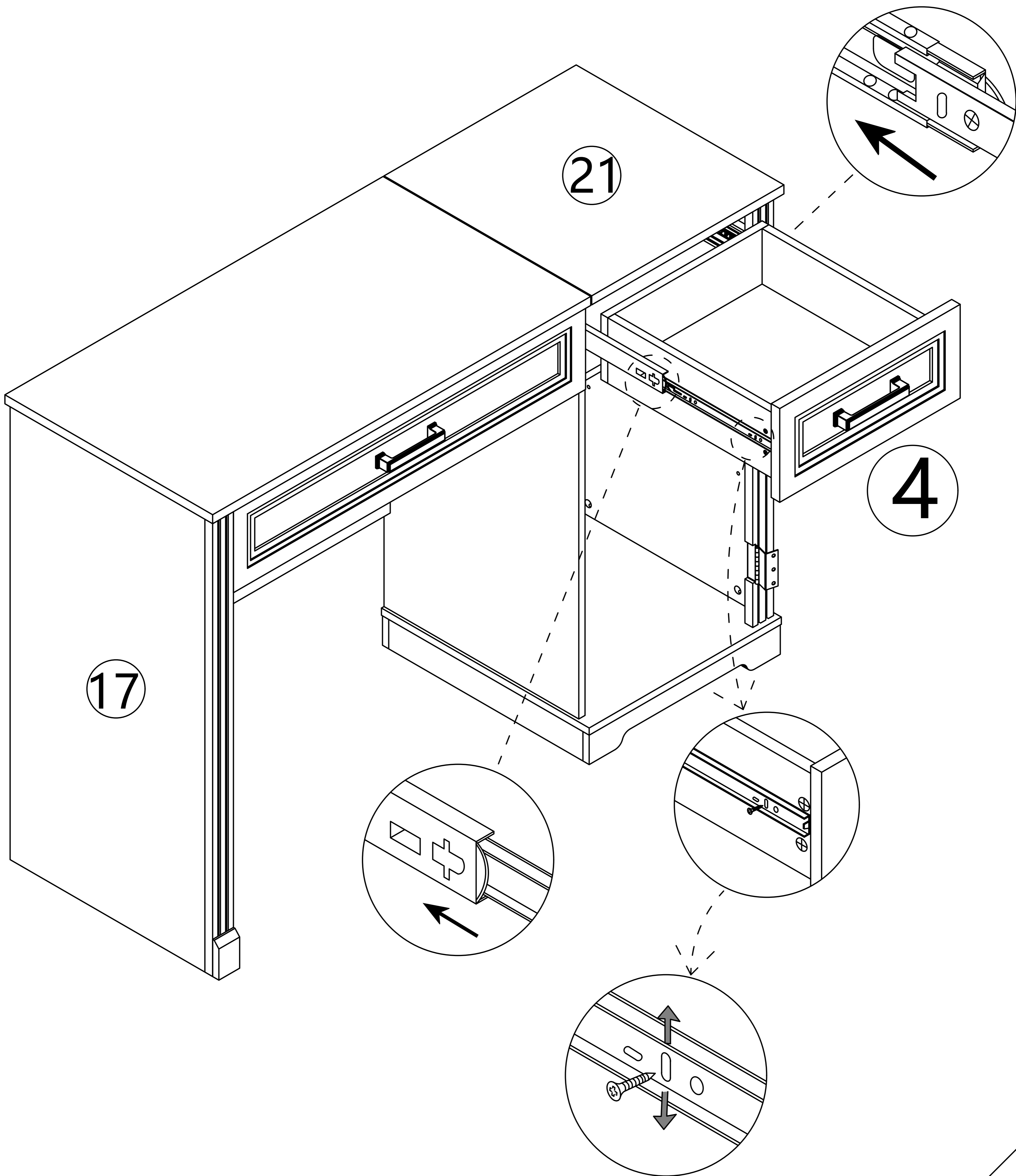
Turn this screw to adjust the mirror panel to be flush with the side panel.

Step 49



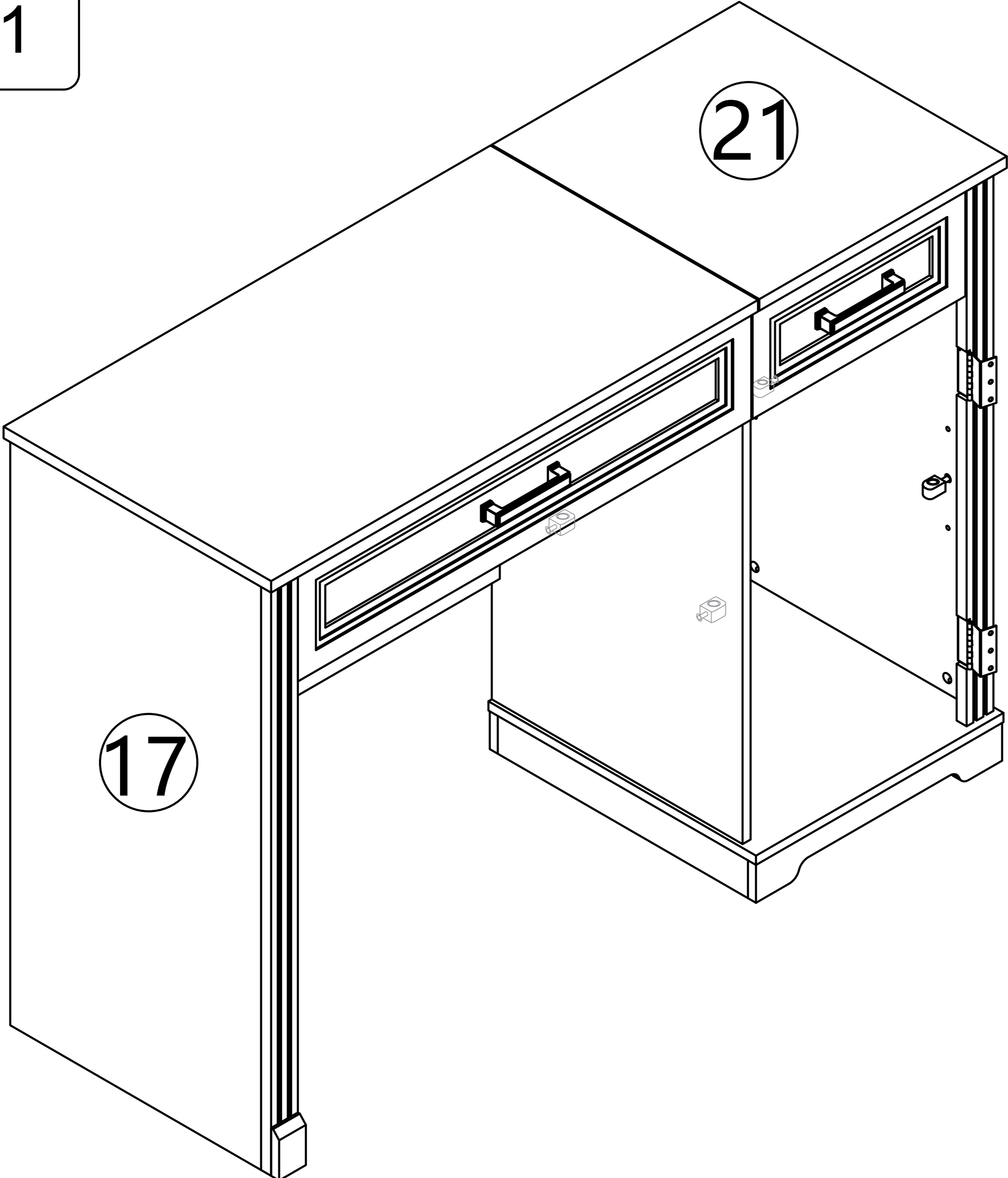
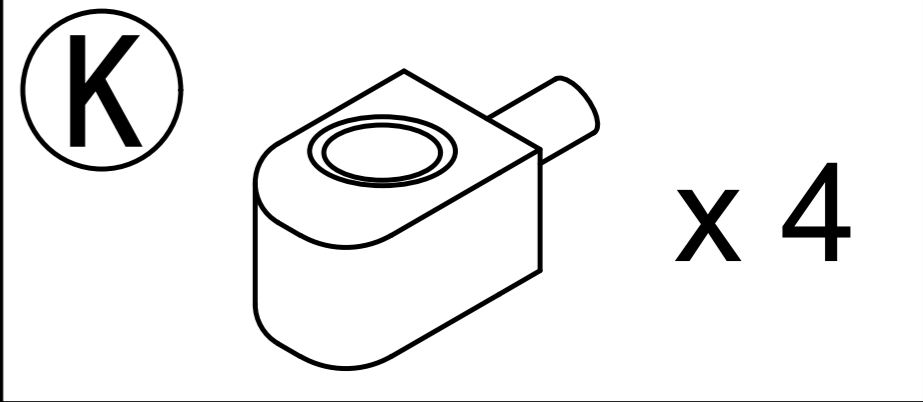
As shown, When installing the drawer, pull the guide rail out first, Slide beads are also pulled out.

Step 50

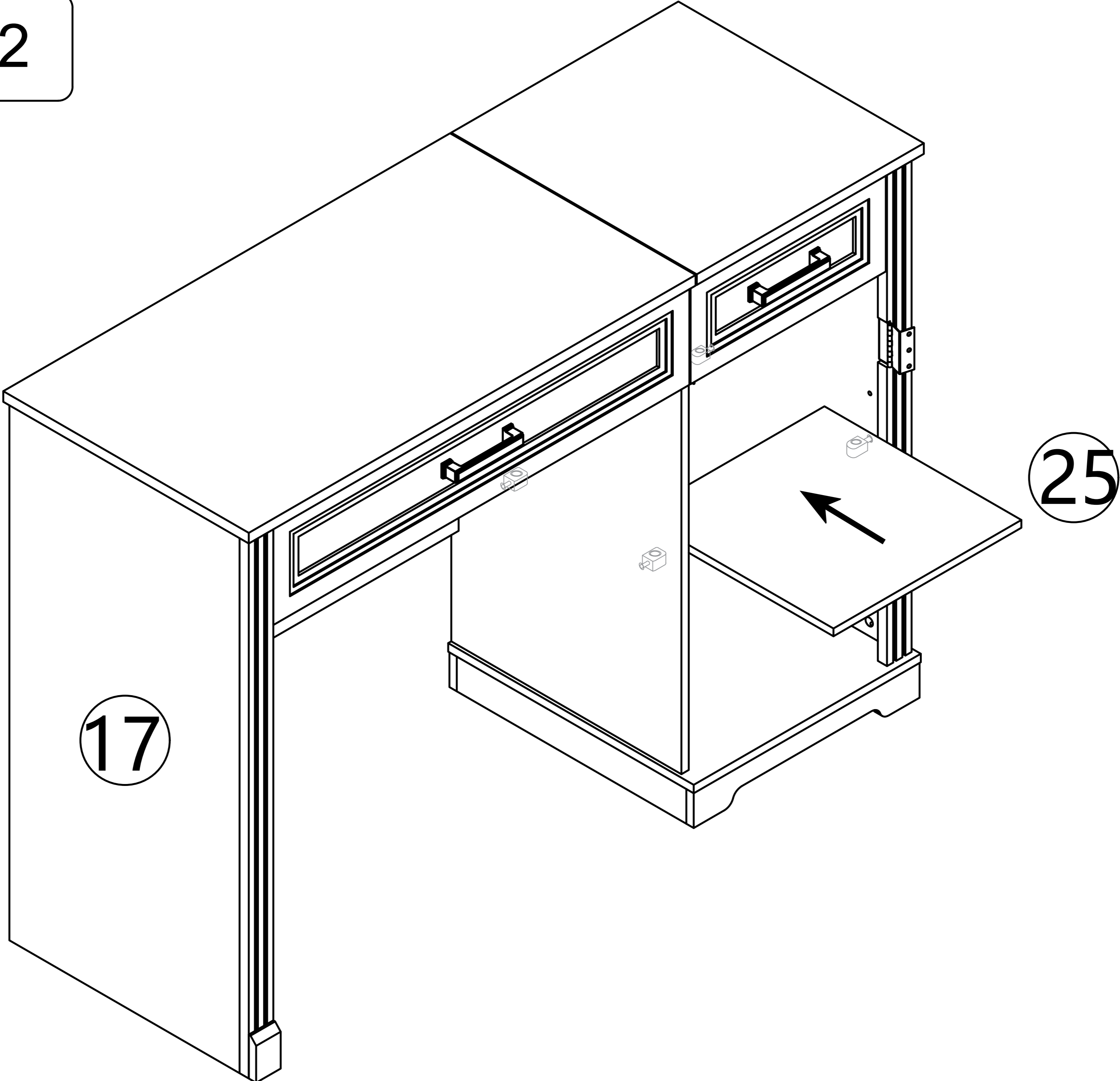


If a large gap is found after installing the drawer the slide rail can be moved up and down to adjust the gap

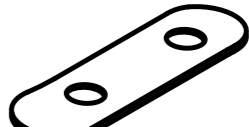

Step 51

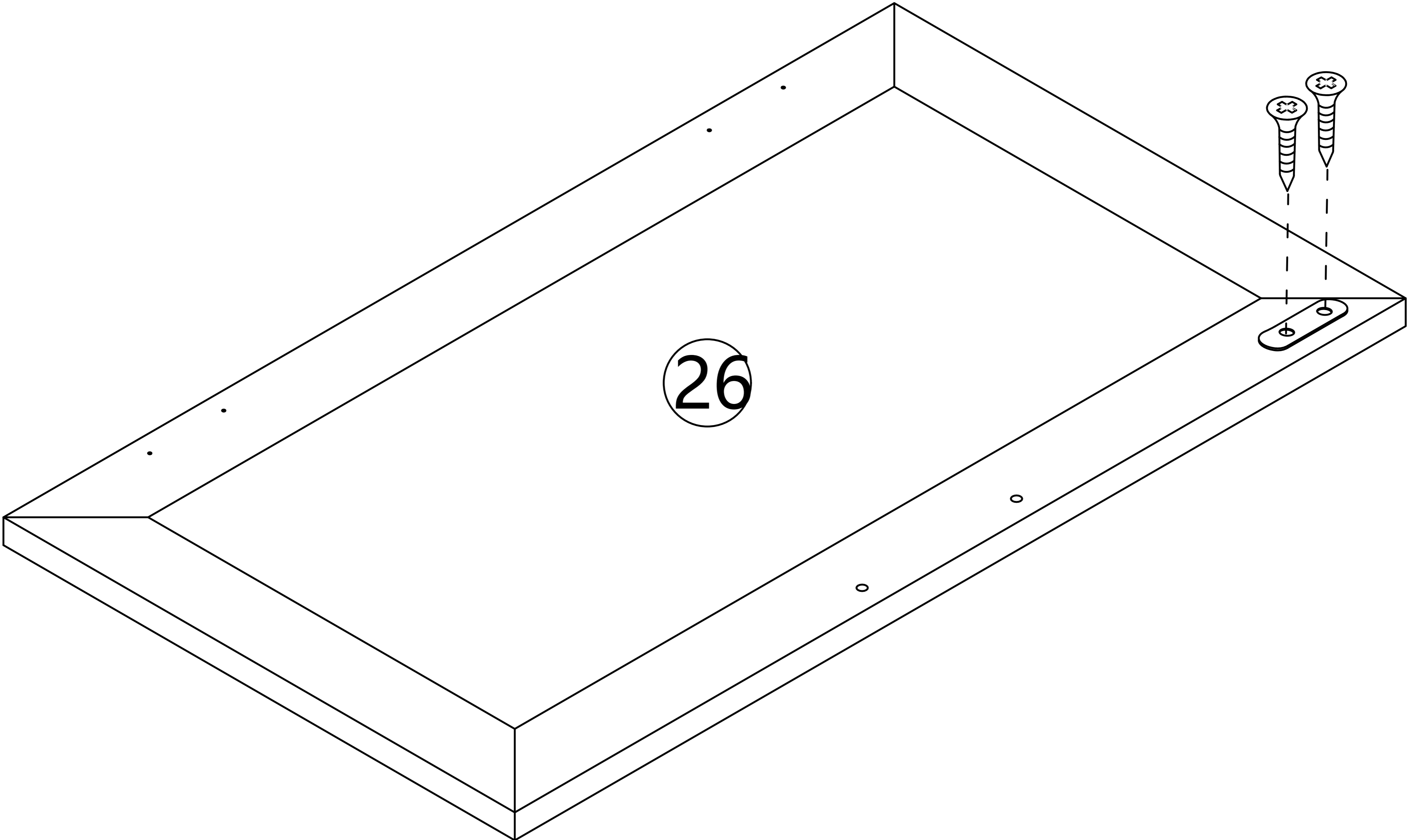


Step 52

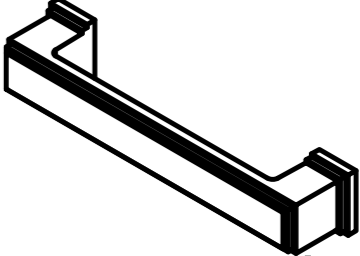
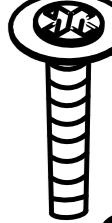


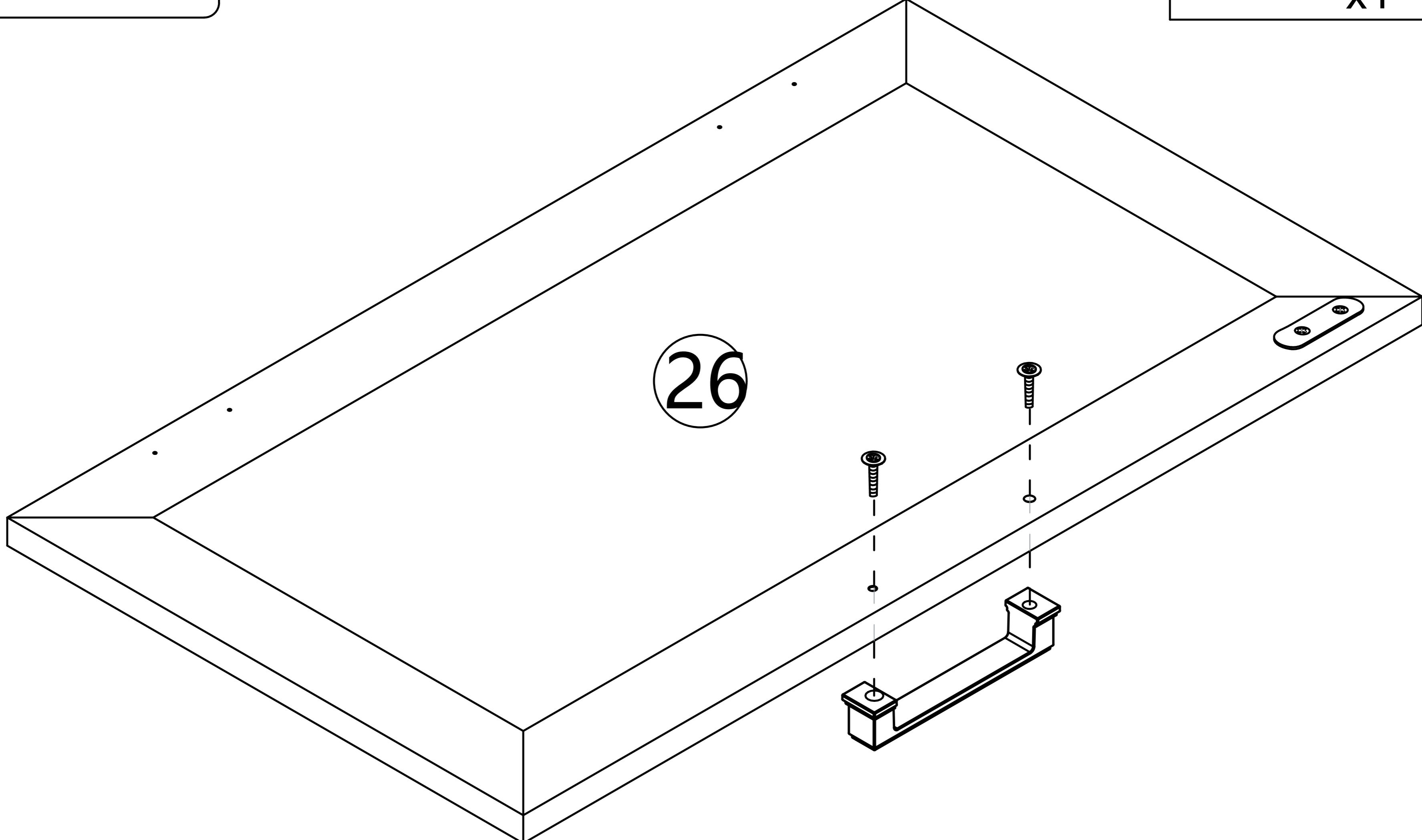
Step 53

- (F)  x 1
-  x 2



Step 54

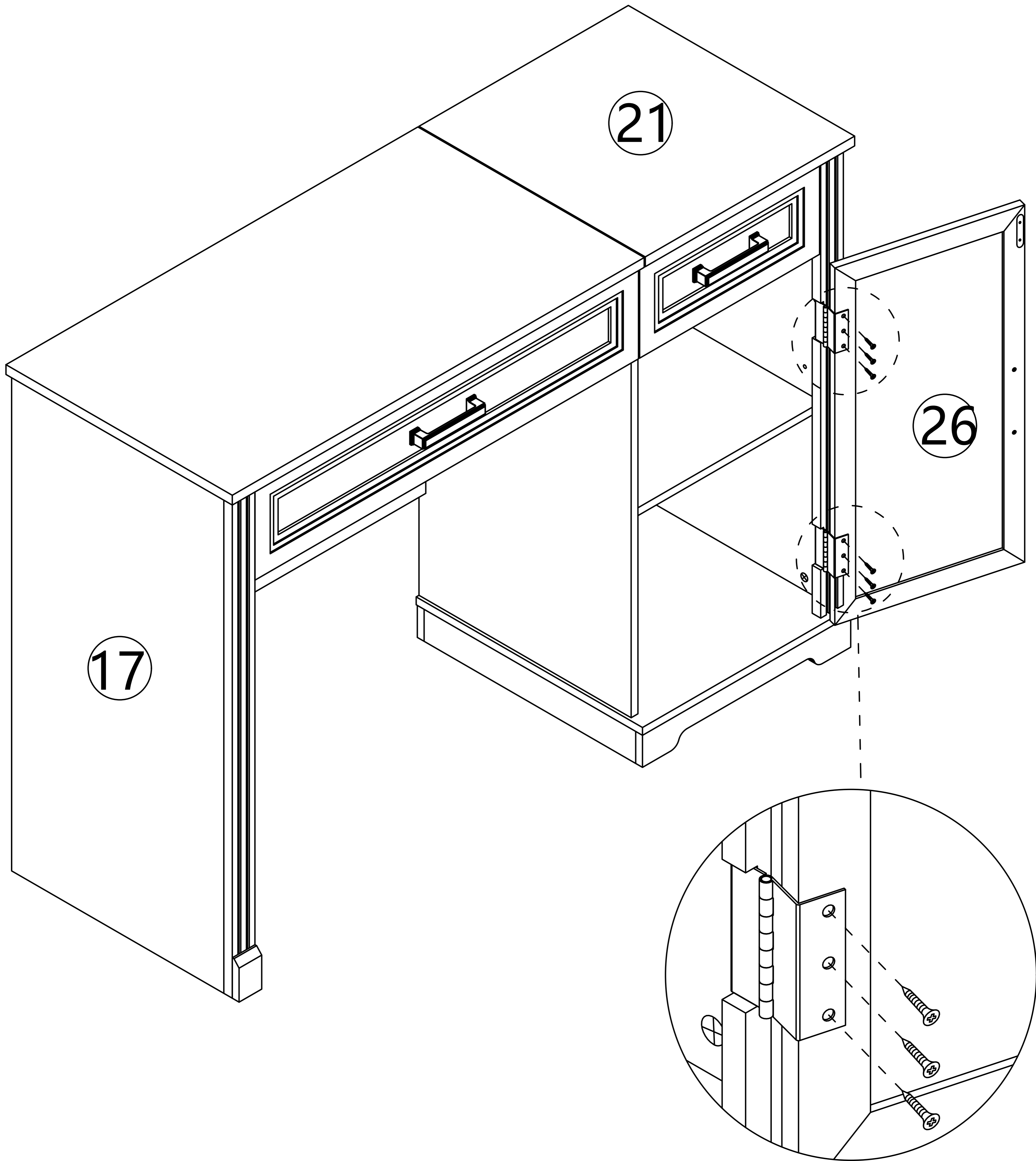
- (L)  x 1
-  x 2



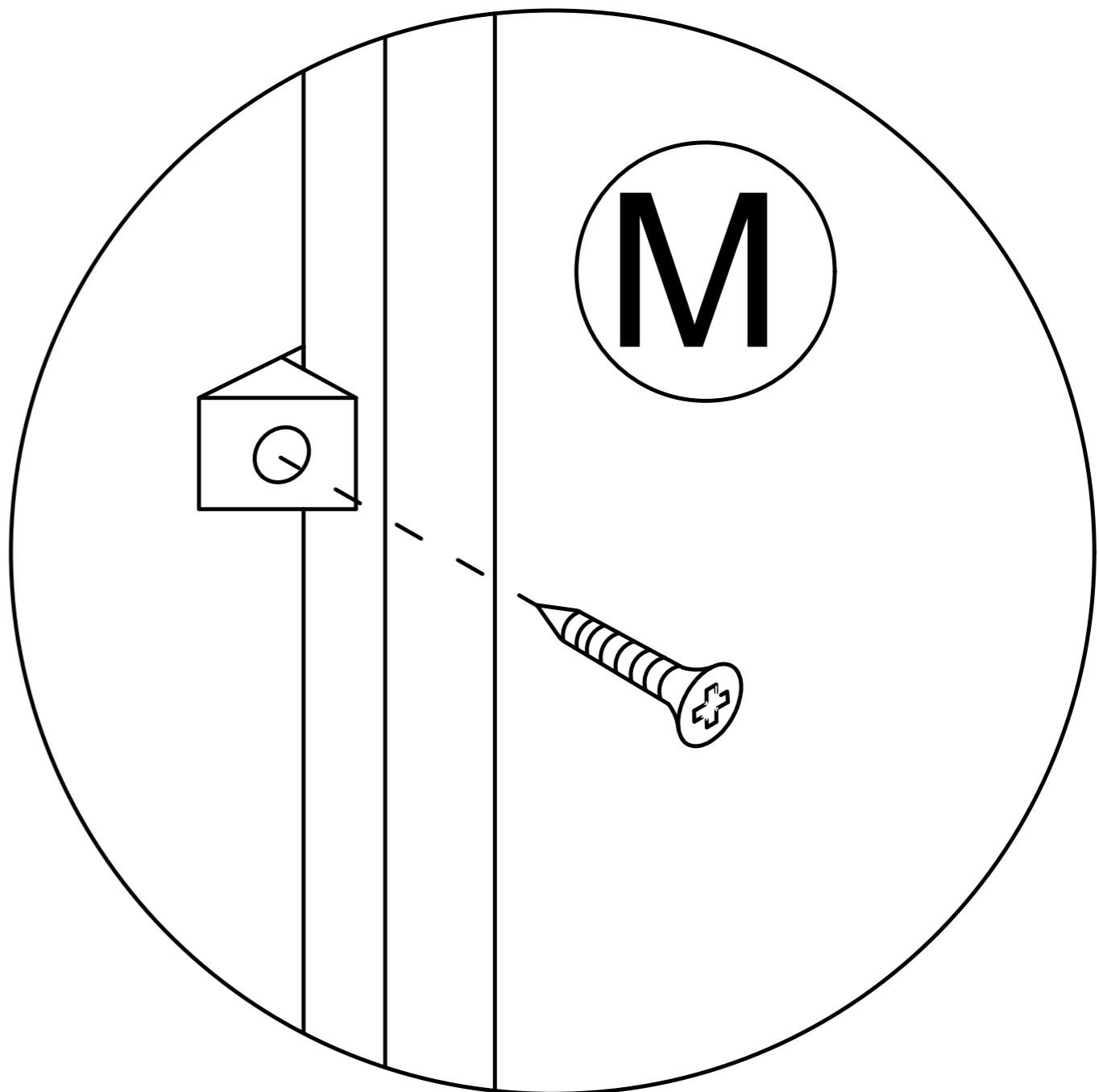
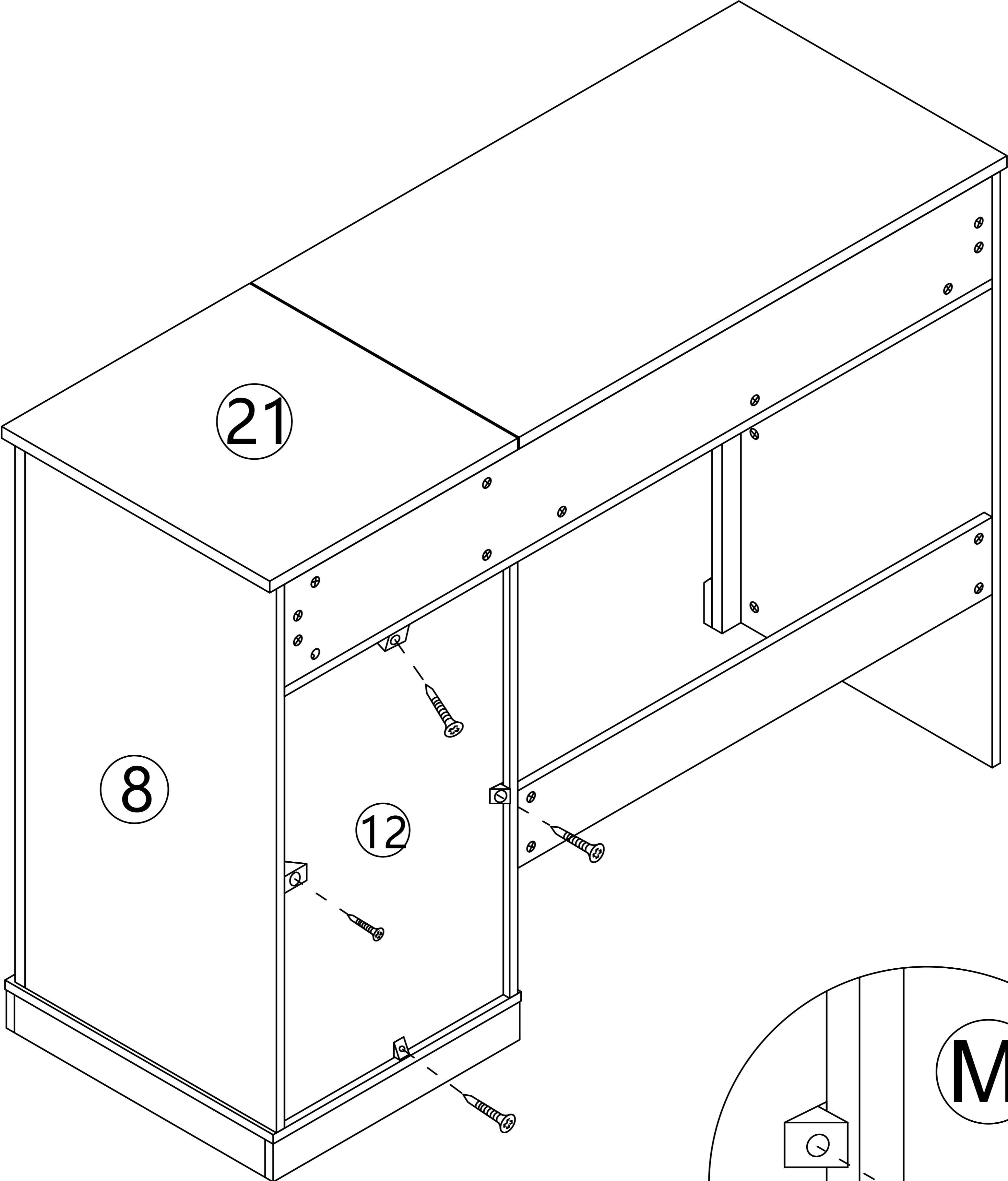
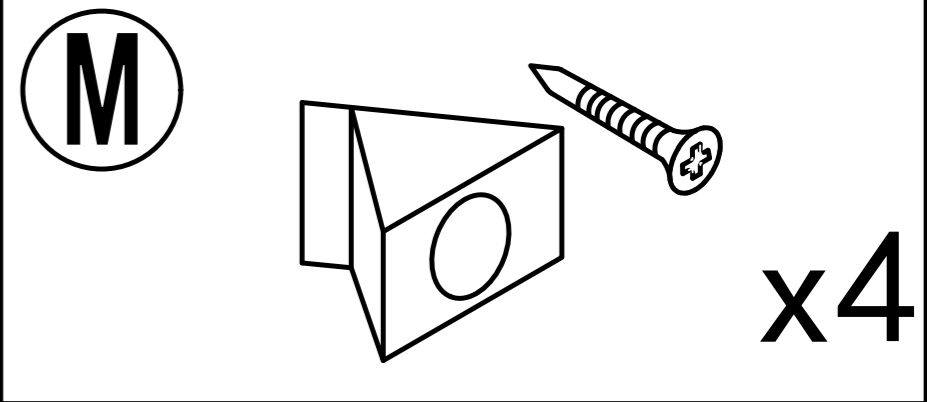
Step 55

H

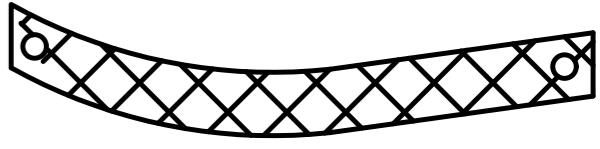
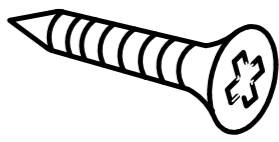

x6

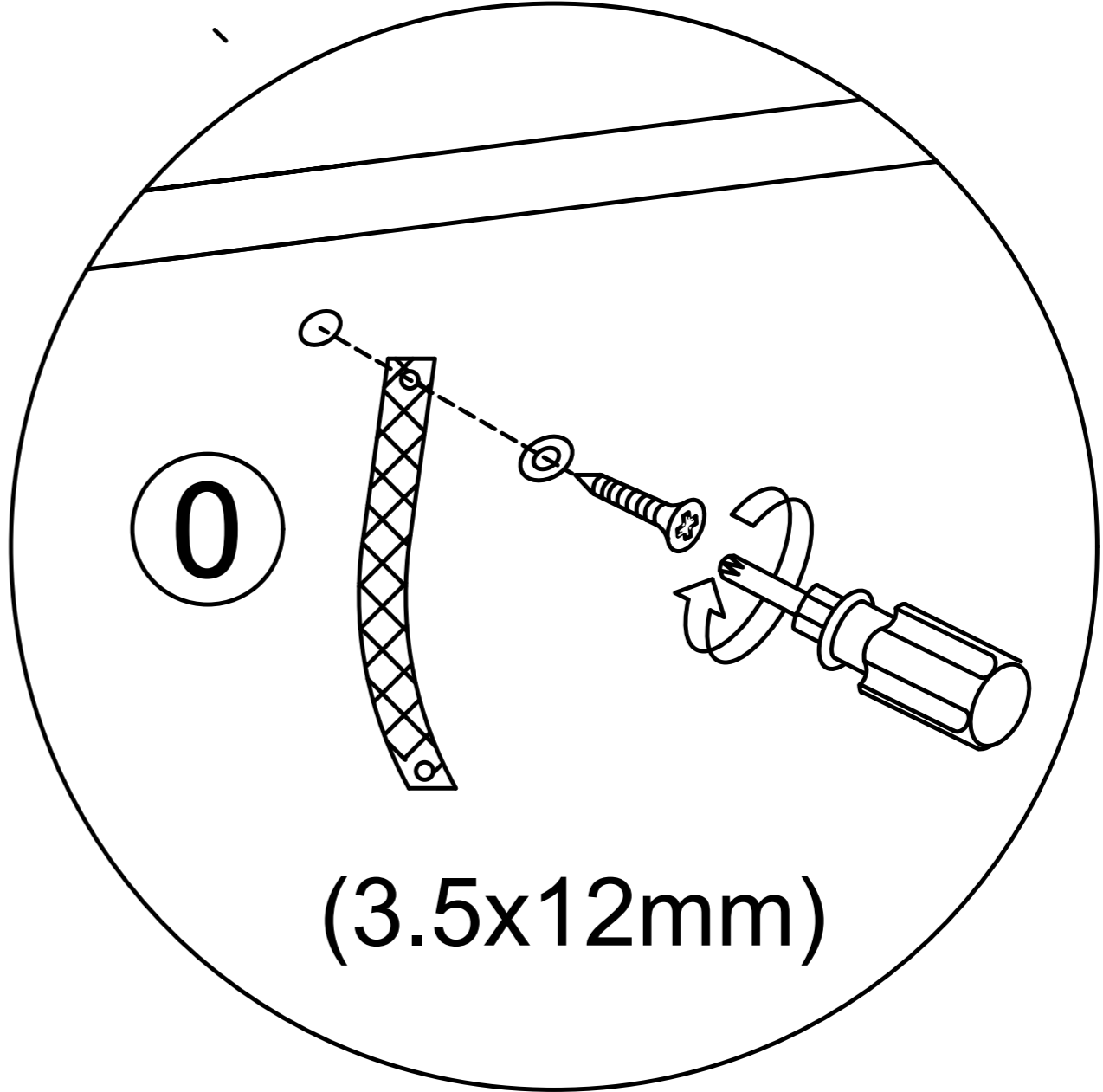
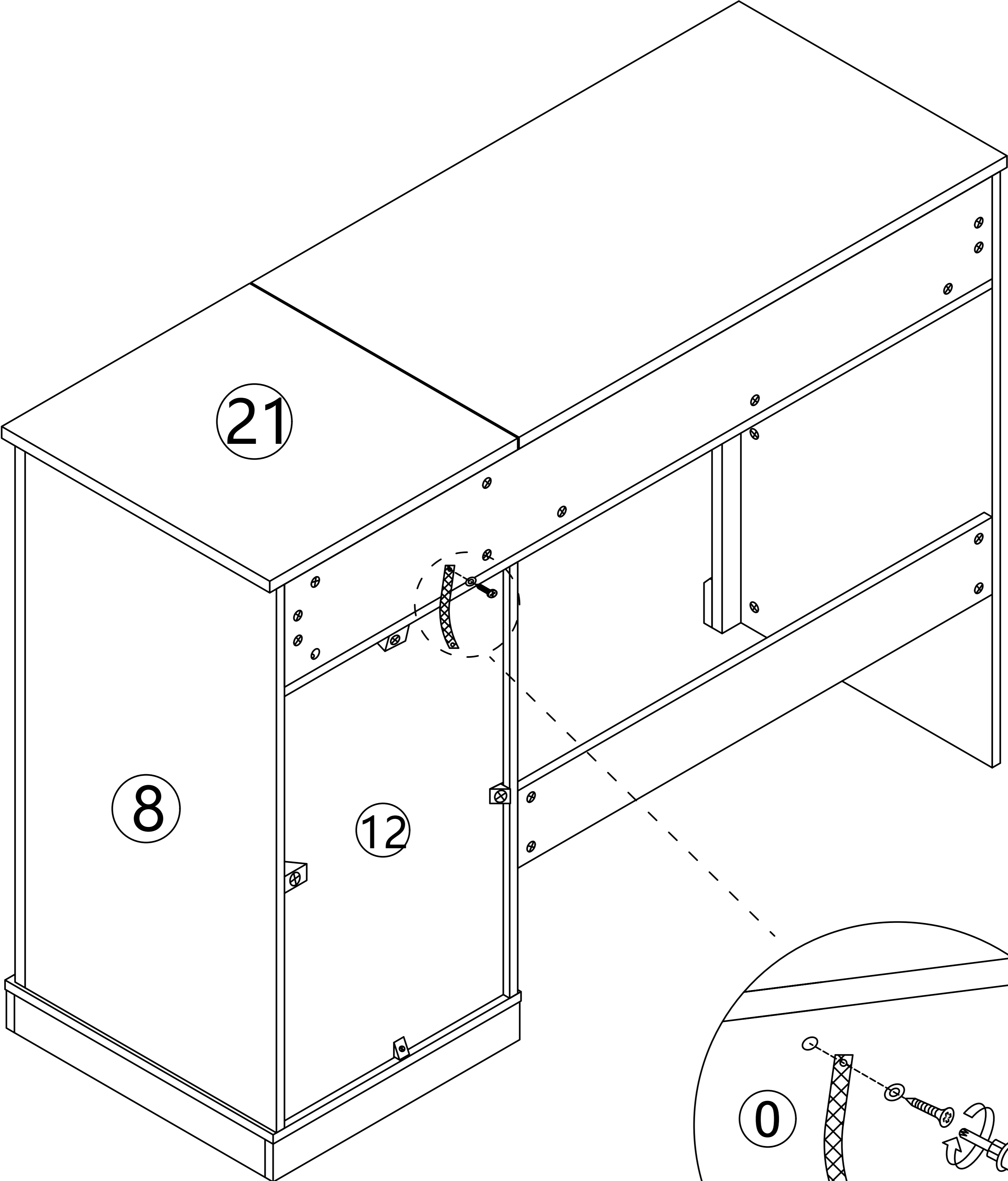


Step 56



Step 57

- 0  x1
-  x1
-  x1



# Step 58

