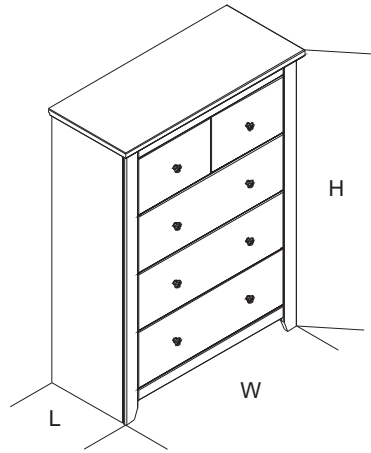


# Assembly Instructions



Assembled Dimensions

L Length: 390mm

W Width: 900mm

H Head Height: 1198mm

PLEASE NOTE : CHECK ALL PARTS BEFORE ASSEMBLING  
ONCE ASSEMBLED THIS ITEM CANNOT BE RETURNED UNDER THE APPROVAL GUARANTEE  
THIS PRODUCT IS BUILT VERTICALLY - PLEASE BUILD WHERE IT WILL BE USED.

### Follow Me

- FIRST: Check that the assembled product size will fit in its required location. Take into account ceiling height clearance & door frame widths, if the unit is not being assembled close to its final location
- SECOND : Check that you have enough floor area to complete the assembly
- THIRD: Retain your packaging until you have checked that ALL the parts are in the packs.
- FOURTH :Sort out the parts and fittings as shown, assemble product step by step
- It is preferable to rest the product on a soft surface to avoid damage during assembly
- Do not over tighten screws and fittings.
- Re-Tighten all screws and fitting periodically

### Guide Me

Multi-Pack Table  
COMPONENT Pack NO

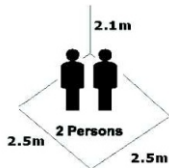
BOX: 1/1

- |               |                       |                          |
|---------------|-----------------------|--------------------------|
| - TOP         | - BACK CROSSBEAM      | - SMALL RIGHT SIDE FRONT |
| - BOTTOM BACK | - FRONT CROSSBEAM     | - SMALL LEFT SIDE FRONT  |
| - PROFILE H   | - LEFT SIDE SLAT      | - ASSEMBLY INSTRUCTION   |
| - LEFT SIDE   | - RIGHT SIDE SLAT     | - BIG DRAWER BOTTOM      |
| - RIGHT SIDE  | - SMALL DRAWER BACK   | - BIG DRAWER FRONT       |
| - DIVIDER     | - DRAWER SIDE         | - BIG DRAWER BACK        |
| - SIDE RUNNER | - SMALL BOTTOM DRAWER | - FITTINGS               |

Replacement packs cannot be provided without Component pack number and the part number / description

### Show Me

No of People  
to Assemble



Approx Assembly  
Time



Preparation  
Flor Space 2.5 x 2.5m  
Height 2.1m

### TOOLS REQUIRED

Tape Measure

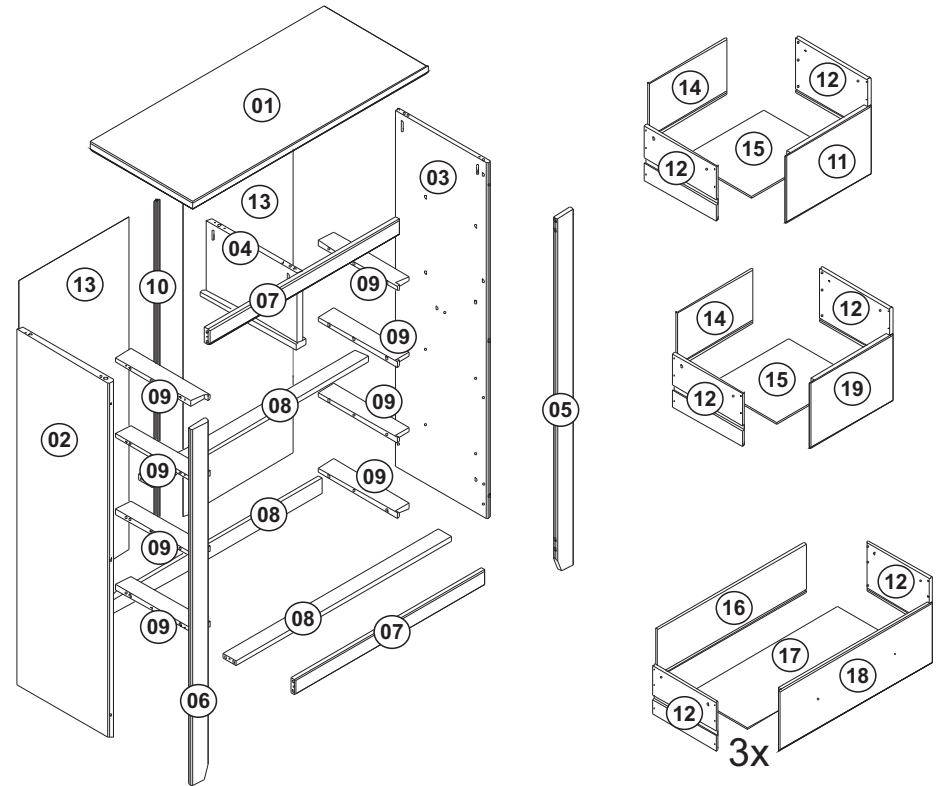


Pozi No 2



**Recycling- the packaging materials for this product may be recycled through your local recycling centre. When you want to dispose of the product itself, please consider donating it to a local charitable organization, otherwise recycle it through your local recycling centre.**

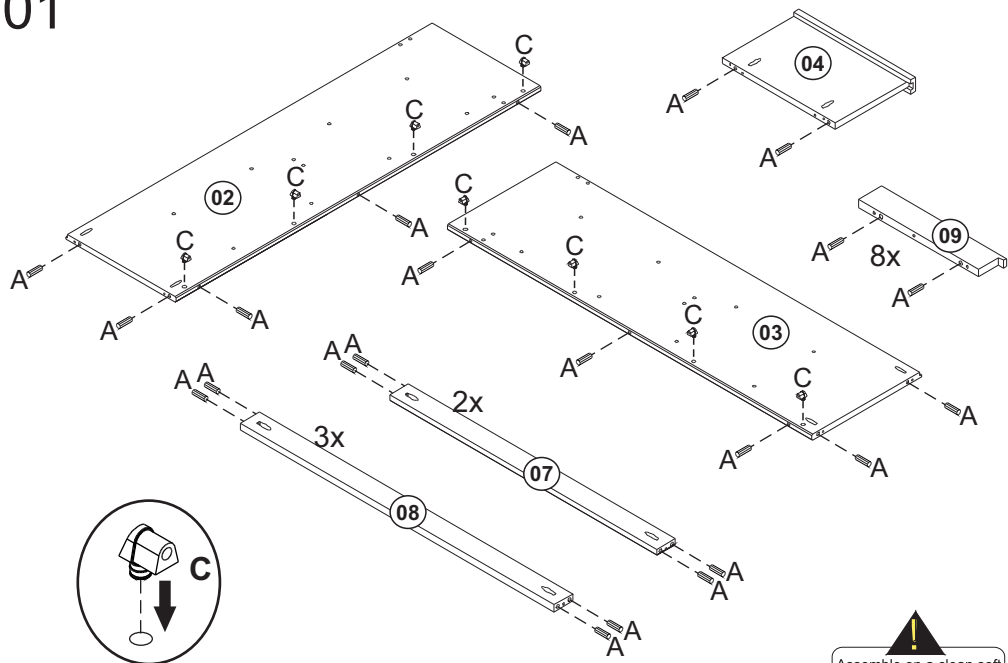
If the room you plan to use your new bed in has a laminate or wood floor, we highly recommend you purchase some anti-skid pads to fit to the underside of the feet of the bed. Floors of this nature offer no grip, which over a small period of time can result in the bed fittings & components coming loose or breaking altogether due to them slowly slipping on the floor. These grips will also protect your floor from any marking that may be caused by your furniture slipping in this manner. These pads can be bought from most good DIY shops or superstores and are relatively inexpensive.



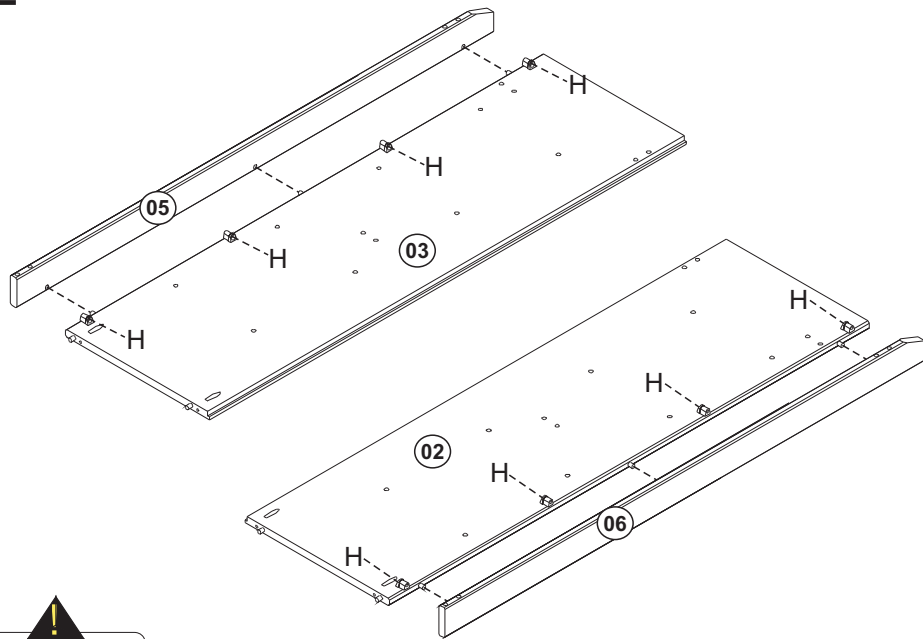
|   |  |    |
|---|--|----|
| A |  | 48 |
| B |  | 42 |
| C |  | 08 |
| D |  | 08 |
| E |  | 08 |
| F |  | 60 |

|   |  |    |
|---|--|----|
| G |  | 01 |
| H |  | 10 |
| I |  | 26 |
| J |  | 04 |
| K |  | 02 |
| L |  | 08 |

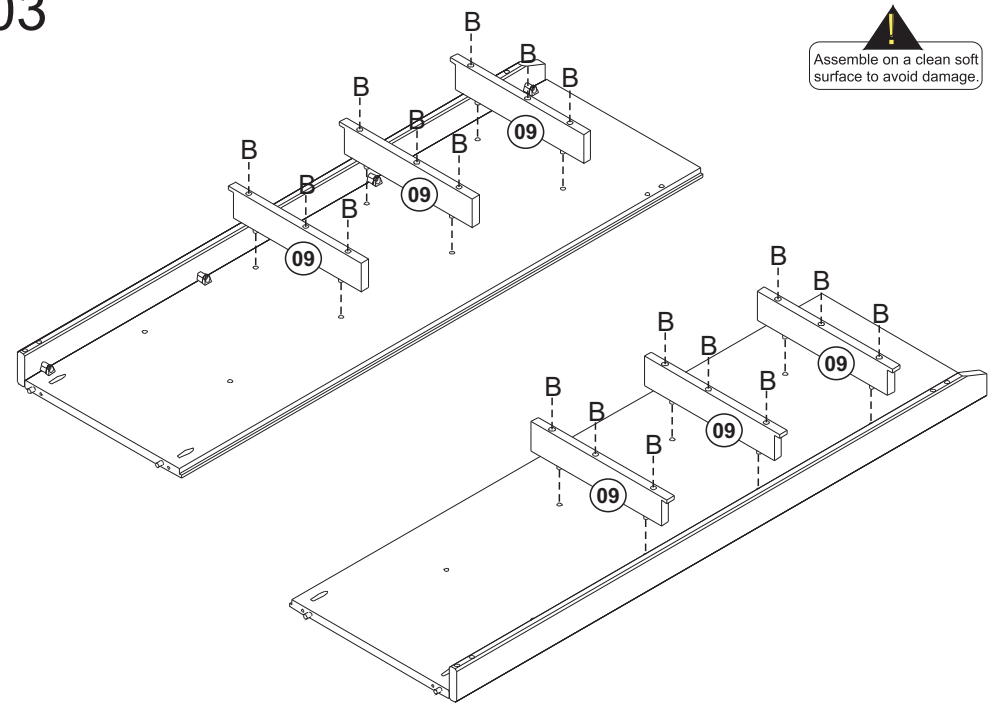
01



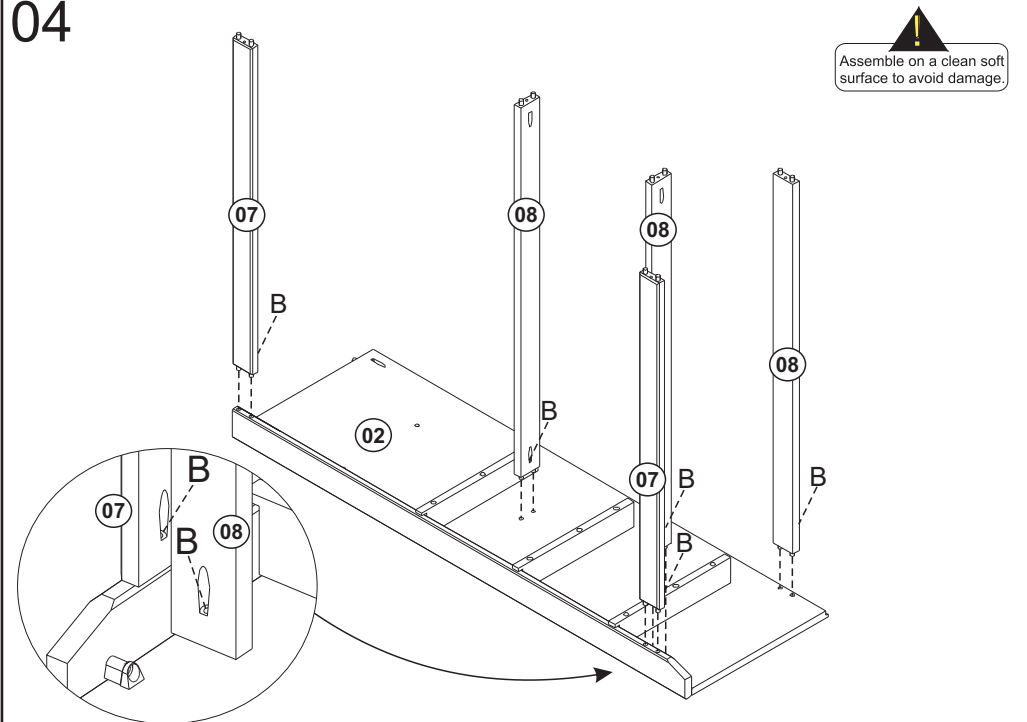
02



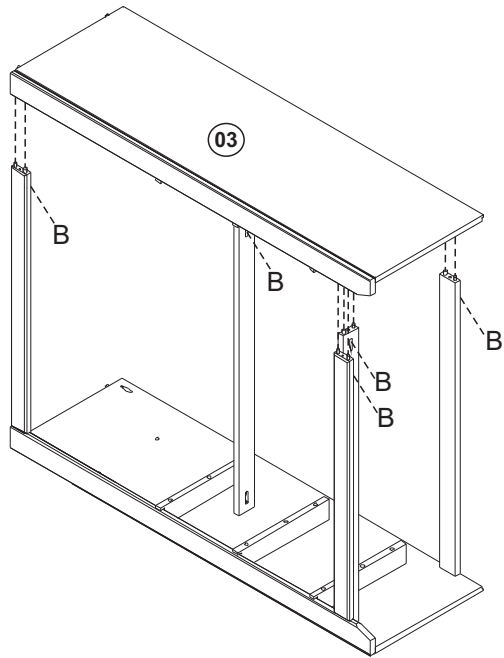
03



04

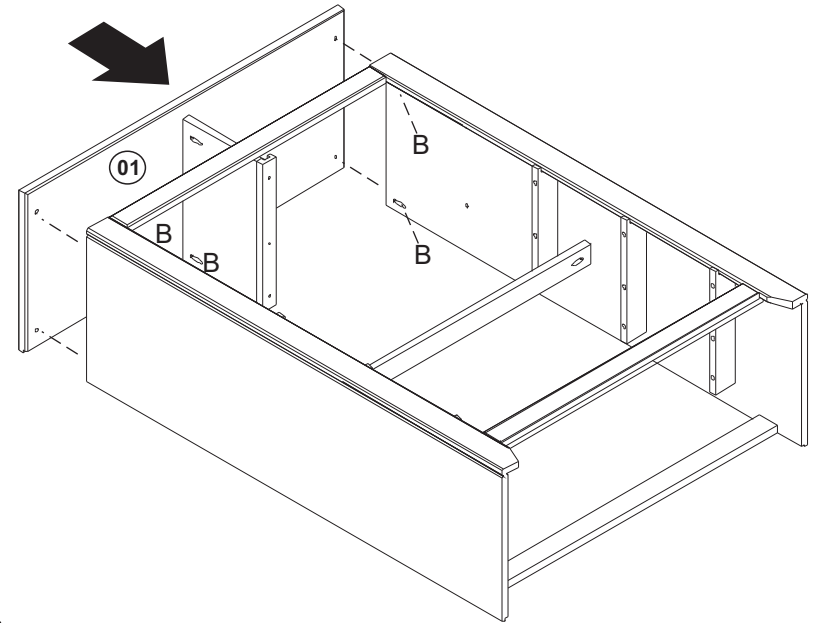


05



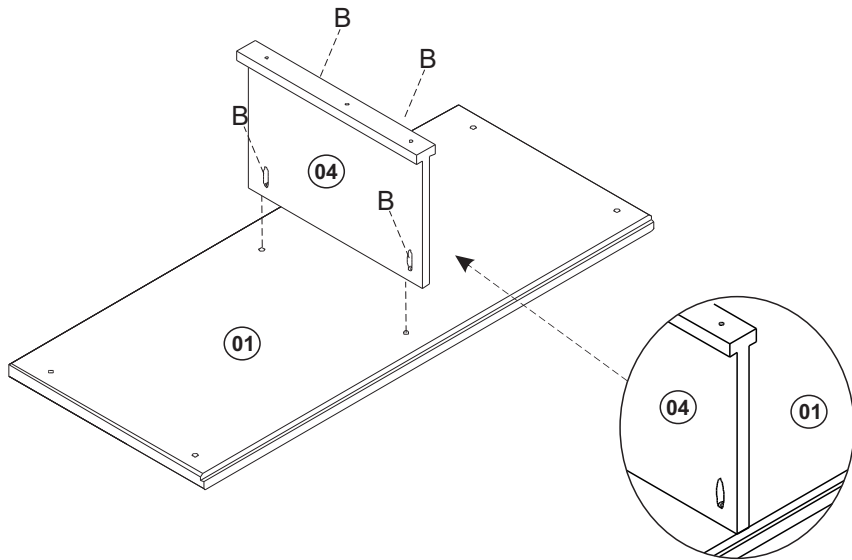
Assemble on a clean soft surface to avoid damage.

07



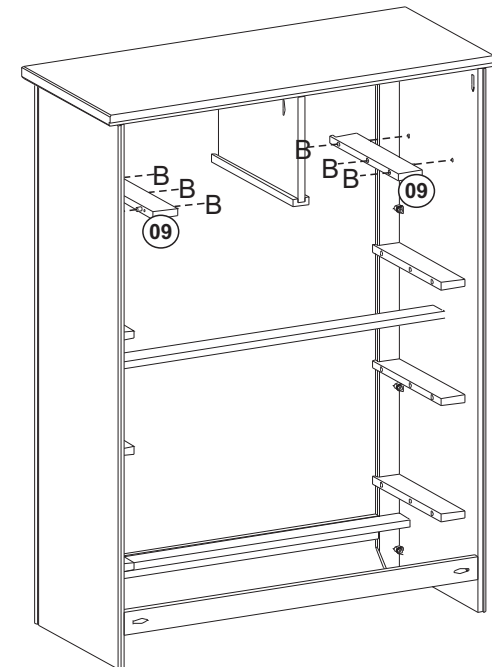
Assemble on a clean soft surface to avoid damage.

06



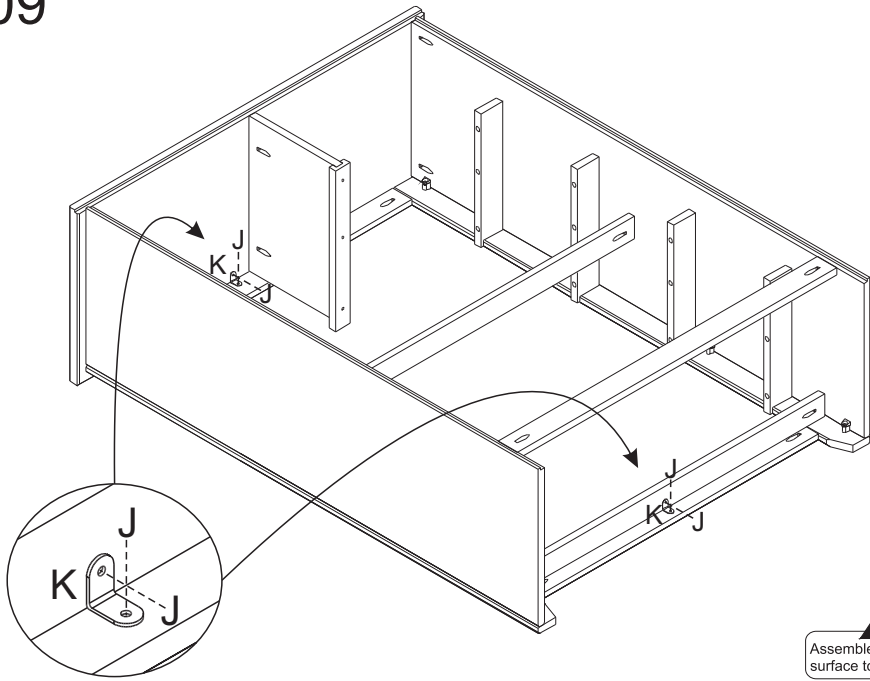
Assemble on a clean soft surface to avoid damage.

08



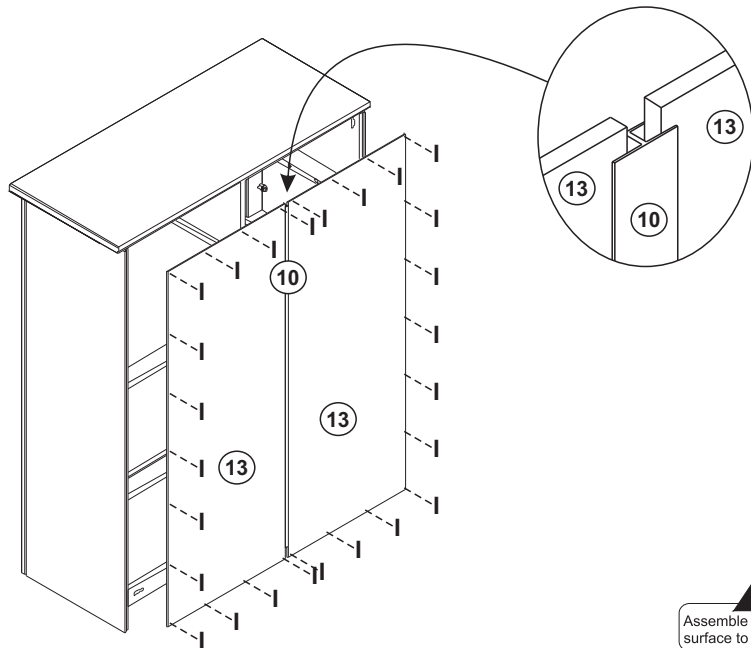
Assemble on a clean soft surface to avoid damage.

09



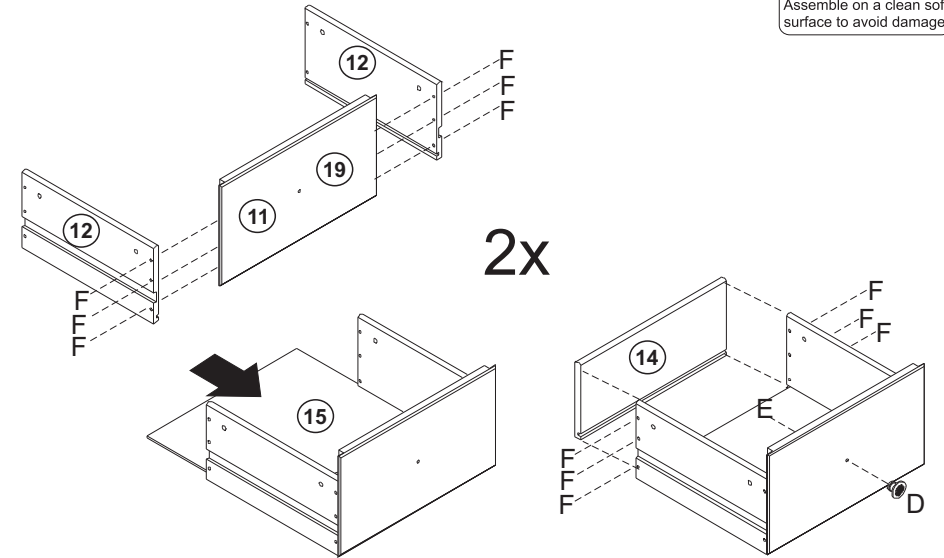
Assemble on a clean soft surface to avoid damage.

10



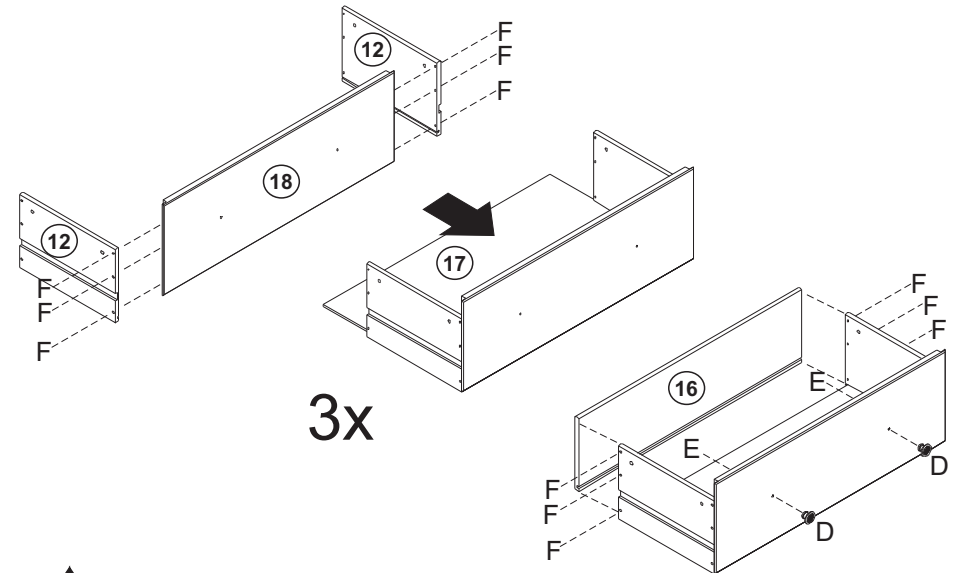
Assemble on a clean soft surface to avoid damage.

11



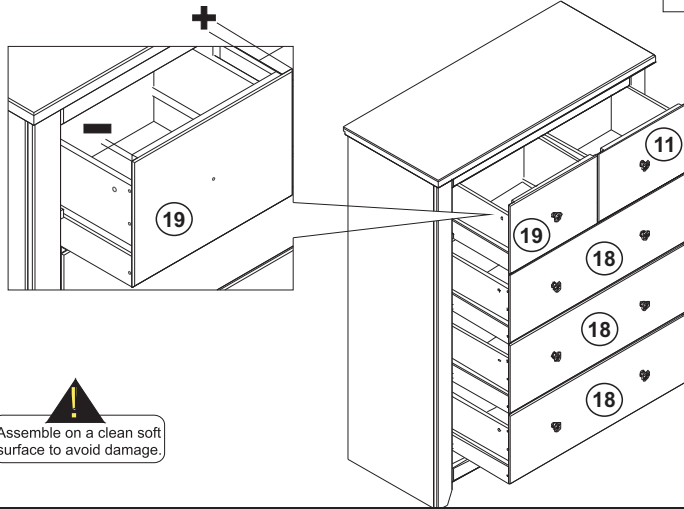
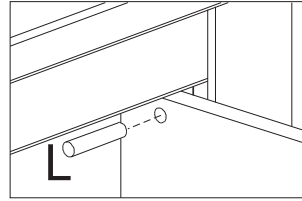
Assemble on a clean soft surface to avoid damage.

12



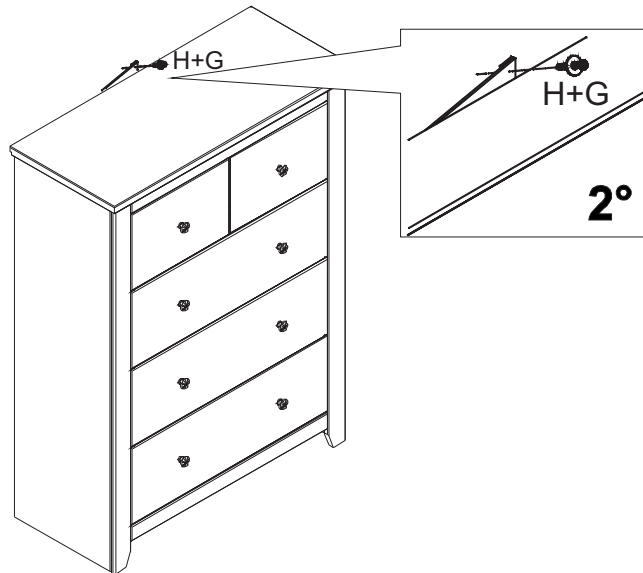
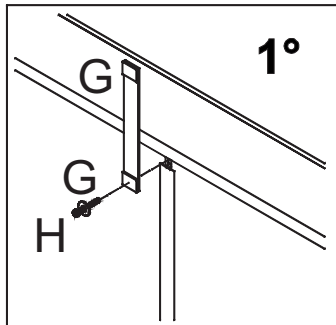
Assemble on a clean soft surface to avoid damage.

13



**!**  
Assemble on a clean soft surface to avoid damage.

14



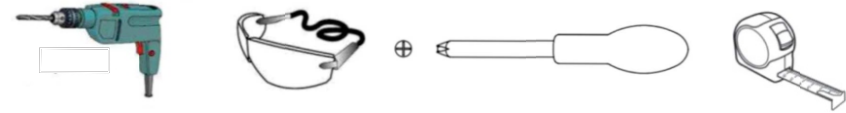
**!**  
Assemble on a clean soft surface to avoid damage.

## WALL ATTACHMENT GUIDE

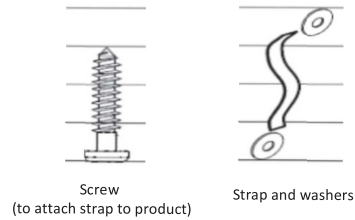
### WARNINGS!

- This unit is provided with a safety wall strap to prevent accidental tipping. It is important that the strap is correctly fitted. Failure to fit the strap could lead to serious injury.
- Never allow children to climb or hang on drawers, doors or shelves.
- Place heaviest items in the lower drawers or shelves.
- Never open more than one drawer at a time.
- From time to time check the fitting to ensure the wall plugs or screws do not become loose.
- Always ensure the wall to be drilled is free from hidden electrical wires, water and gas pipes.

YOU WILL NEED:



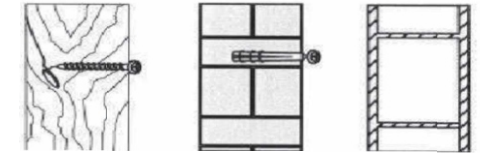
HARDWARE:



Screw  
(to attach strap to product)

Strap and washers

Wall fixings (plugs and screws) are not included please source suitable fixings for your wall type. If in doubt, please consult a qualified tradesperson.

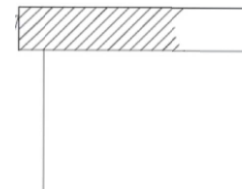


Wood  
If fixing to wood make sure that it isn't chipboard as screws can easily pull away from the core structure

Brick or Masonry  
Use an appropriate wall plug provided you are sure your wall is sound

Cavity Wall  
Special toggle wall plugs are needed, seek expert advice

Step 1.  
Attach strap using screw and washer provided to the product.



Step 2.  
Mark the desired position of the hole on to the wall with a pencil.  
Drill and insert suitable screw (not included) for wall through the washer and strap into a wall plug (not included) in the wall.

