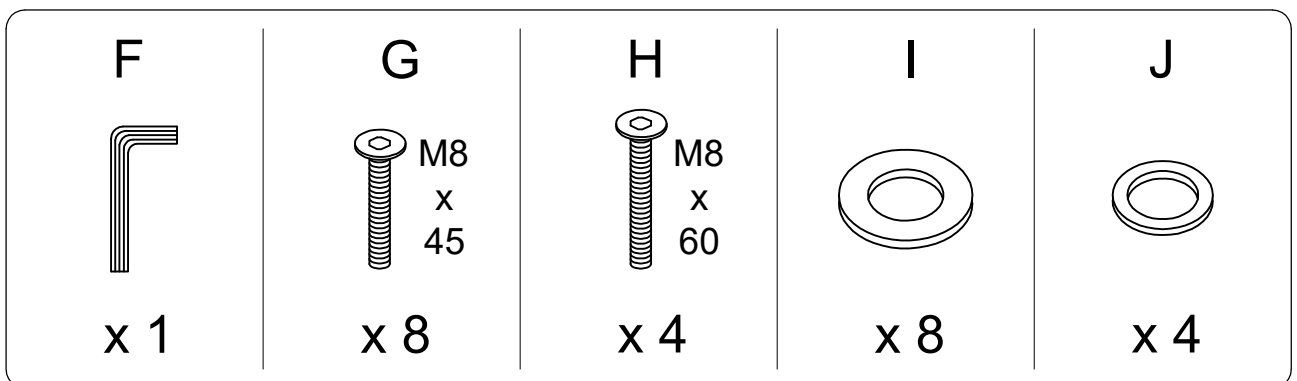
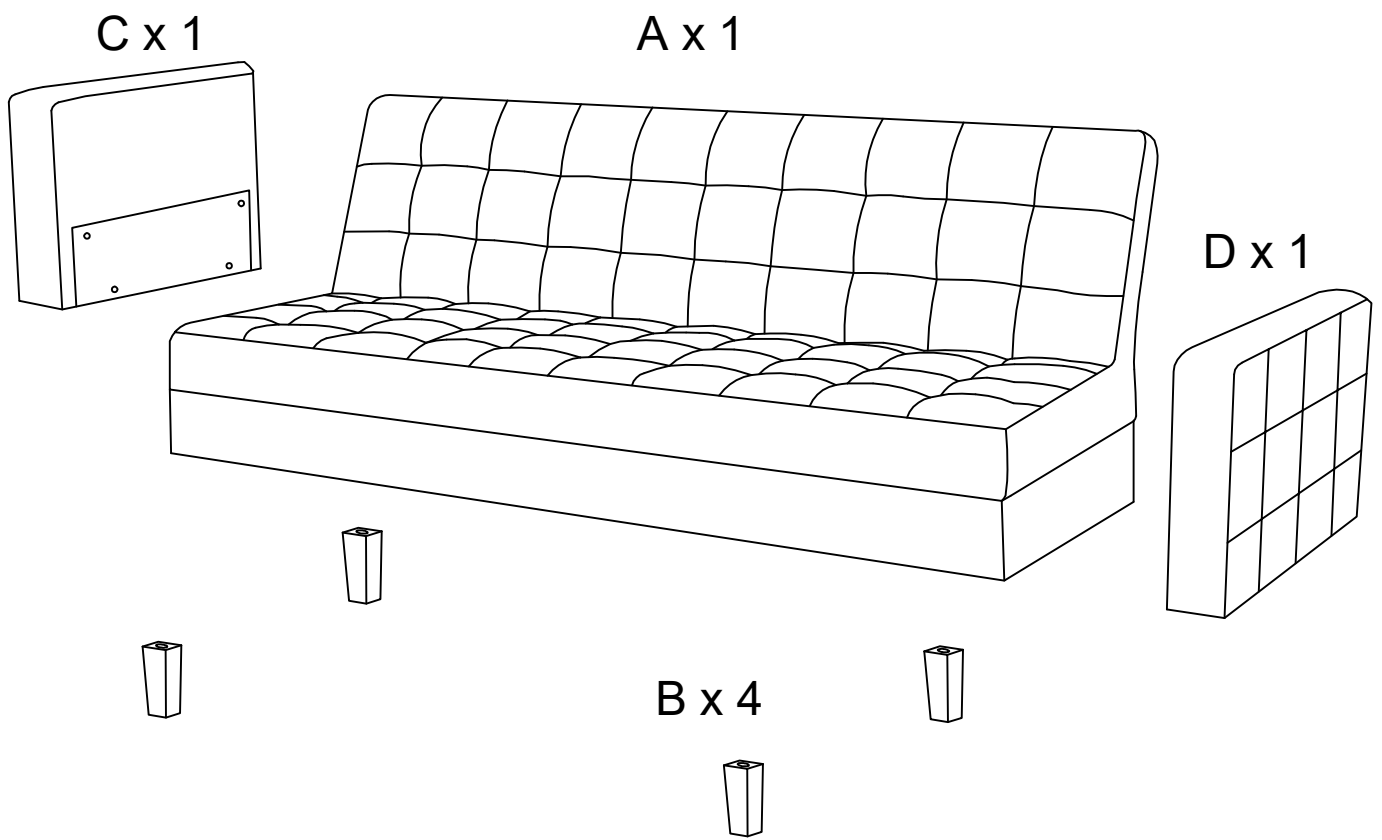
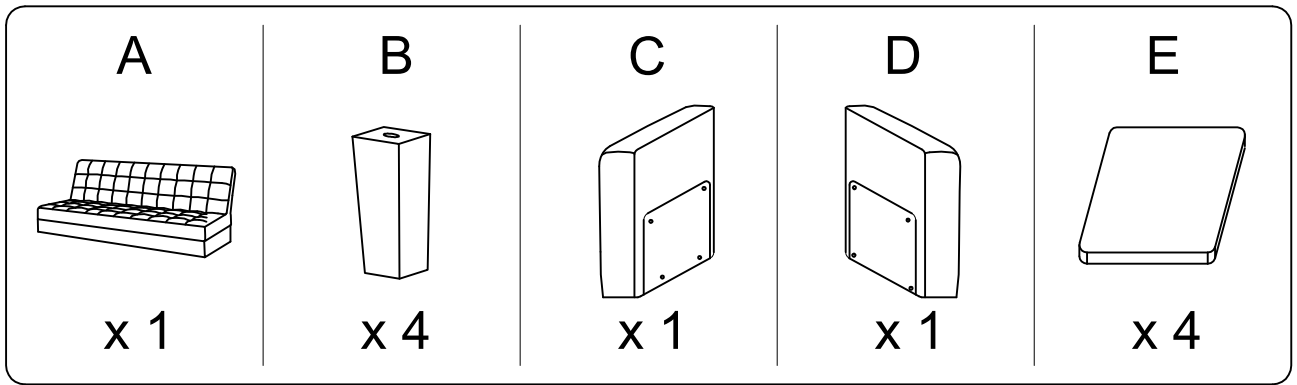
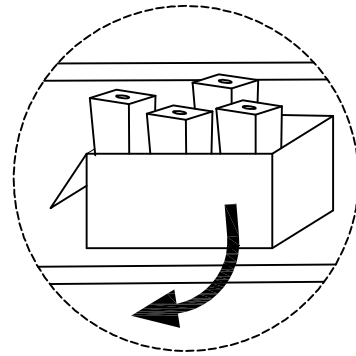
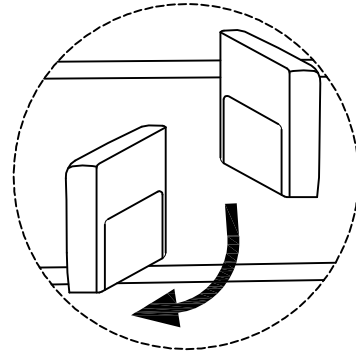
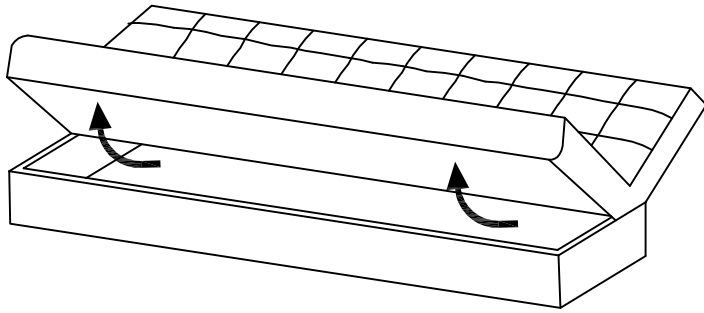


Diagram illustrating assembly instructions and safety warnings:

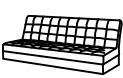
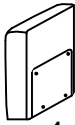


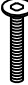

- Warning 1:** A warning triangle with an exclamation mark is shown next to a box containing an L-shaped corner bracket and a crossed-out power drill, indicating that a power drill should not be used to install this bracket.
- Warning 2:** A second warning triangle with an exclamation mark is shown next to a box containing a rectangular block on a textured surface and a crossed-out block with a screw, indicating that a screw should not be used to secure this block.
- Time:** A clock icon is shown next to the text "30'", indicating that the assembly process should take approximately 30 minutes.
- Person:** An icon of a person is shown next to the number "1", indicating that one person is required for the assembly.

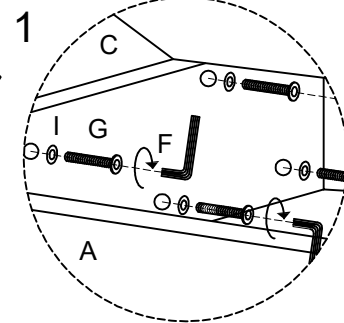
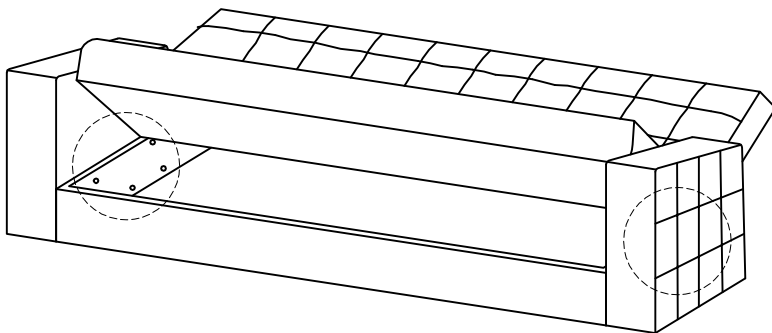


!

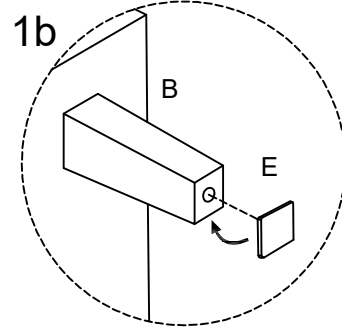
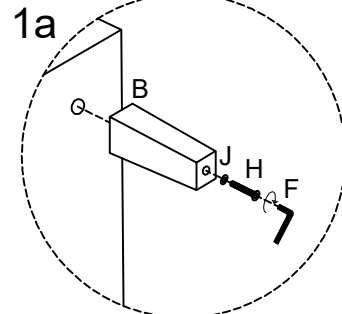
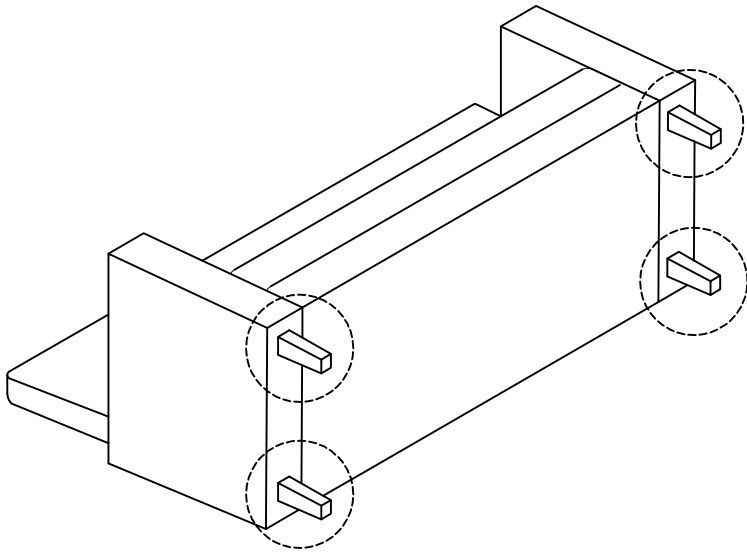
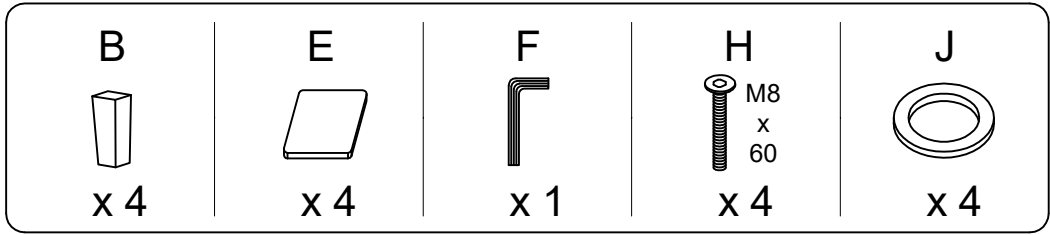


1

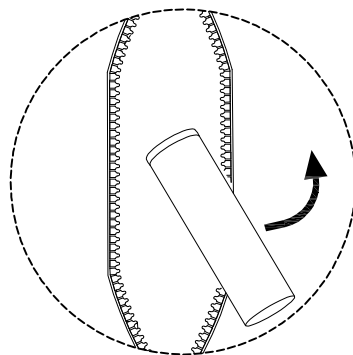
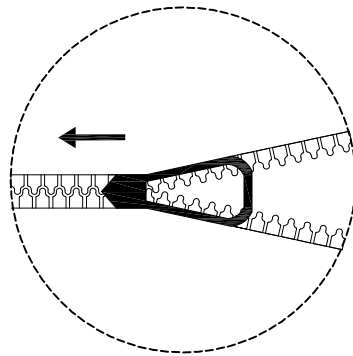
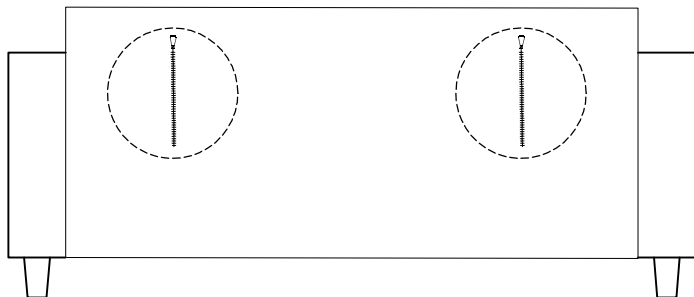
A  x 1	C  x 1	D  x 1	F  x 1	G  M8 x 45 x 8	I  x 8
--	--	--	---	---	--



2



3



4

